



US00D935861S

(12) **United States Design Patent**
Lu

(10) **Patent No.:** **US D935,861 S**
(45) **Date of Patent:** **** Nov. 16, 2021**

- (54) **SECURITY CABLE**
- (71) Applicant: **Jing Lu**, Ningbo (CN)
- (72) Inventor: **Jing Lu**, Ningbo (CN)
- (73) Assignee: **Jing Lu**, Ningbo (CN)
- (**) Term: **15 Years**
- (21) Appl. No.: **29/729,201**
- (22) Filed: **Mar. 25, 2020**
- (51) **LOC (13) Cl.** **08-07**
- (52) **U.S. Cl.**
USPC **D8/333**
- (58) **Field of Classification Search**
USPC D25/333
CPC E05B 65/0067; E05B 73/0082; Y10T
292/087; Y10T 292/0872
See application file for complete search history.

- 7,360,379 B1 * 4/2008 Lopez E05B 37/0034
206/320
- 7,565,824 B1 * 7/2009 Gleason E05B 73/0005
248/552
- D795,042 S * 8/2017 Burns D8/333

* cited by examiner

Primary Examiner — Doris Clark

(74) *Attorney, Agent, or Firm* — Dragon Sun Law Firm, PC; Jinggao Li, Esq.

(57) **CLAIM**

The ornamental design for a security cable, as shown and described.

DESCRIPTION

FIG. 1 is a perspective view of a security cable showing my new design;
FIG. 2 is a front elevation view thereof;
FIG. 3 is a rear elevation view thereof;
FIG. 4 is a left side elevation view thereof;
FIG. 5 is a right side elevation view thereof;
FIG. 6 is a top plan view thereof; and,
FIG. 7 is a bottom plan view thereof.

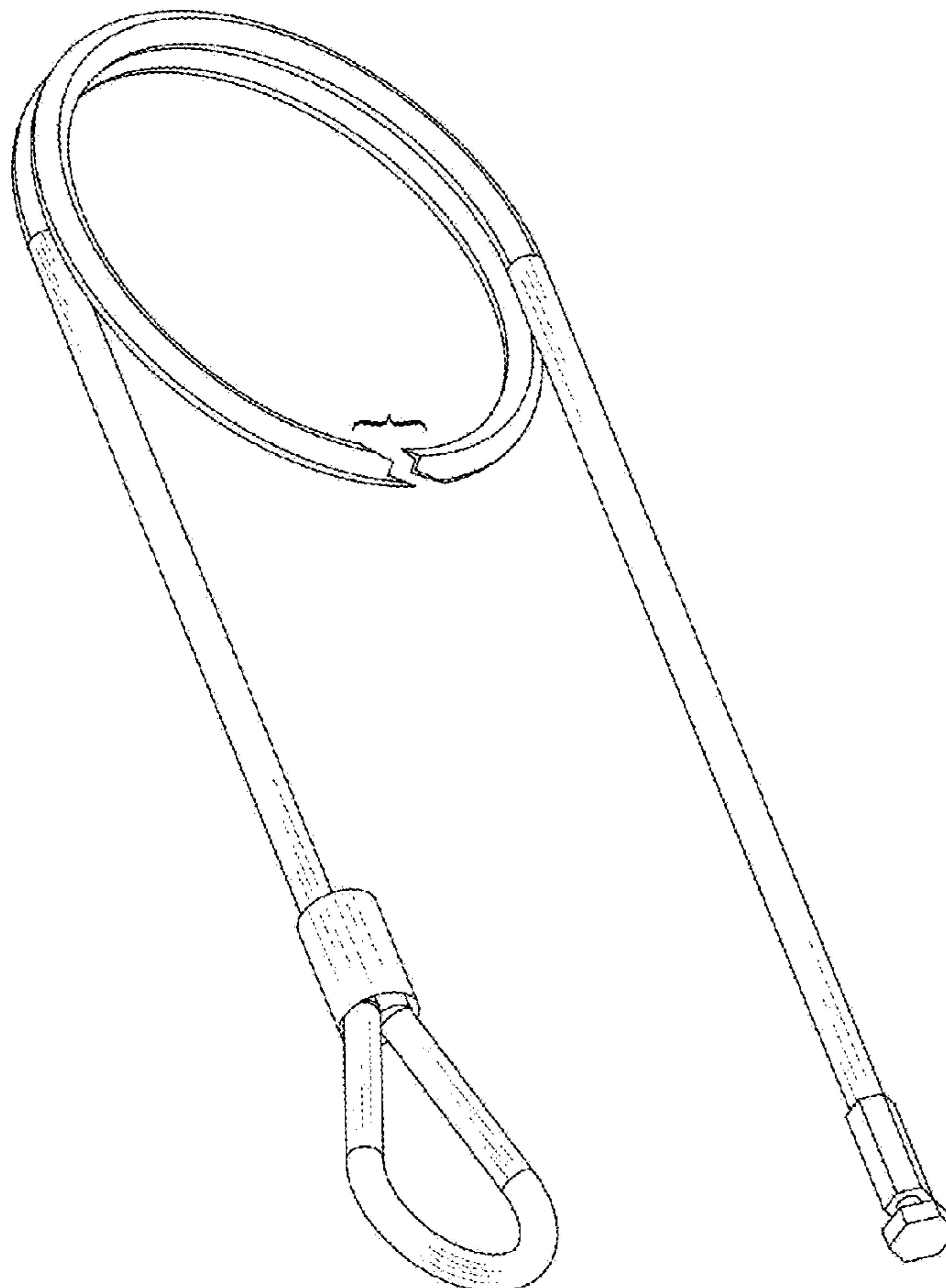
The appearance of the security cable between the break lines forms no part of the claimed design.

1 Claim, 7 Drawing Sheets

(56) **References Cited**

U.S. PATENT DOCUMENTS

- 5,974,840 A * 11/1999 Kao E05B 73/0005
248/551
- 6,742,366 B1 * 6/2004 Lai E05B 37/025
70/30



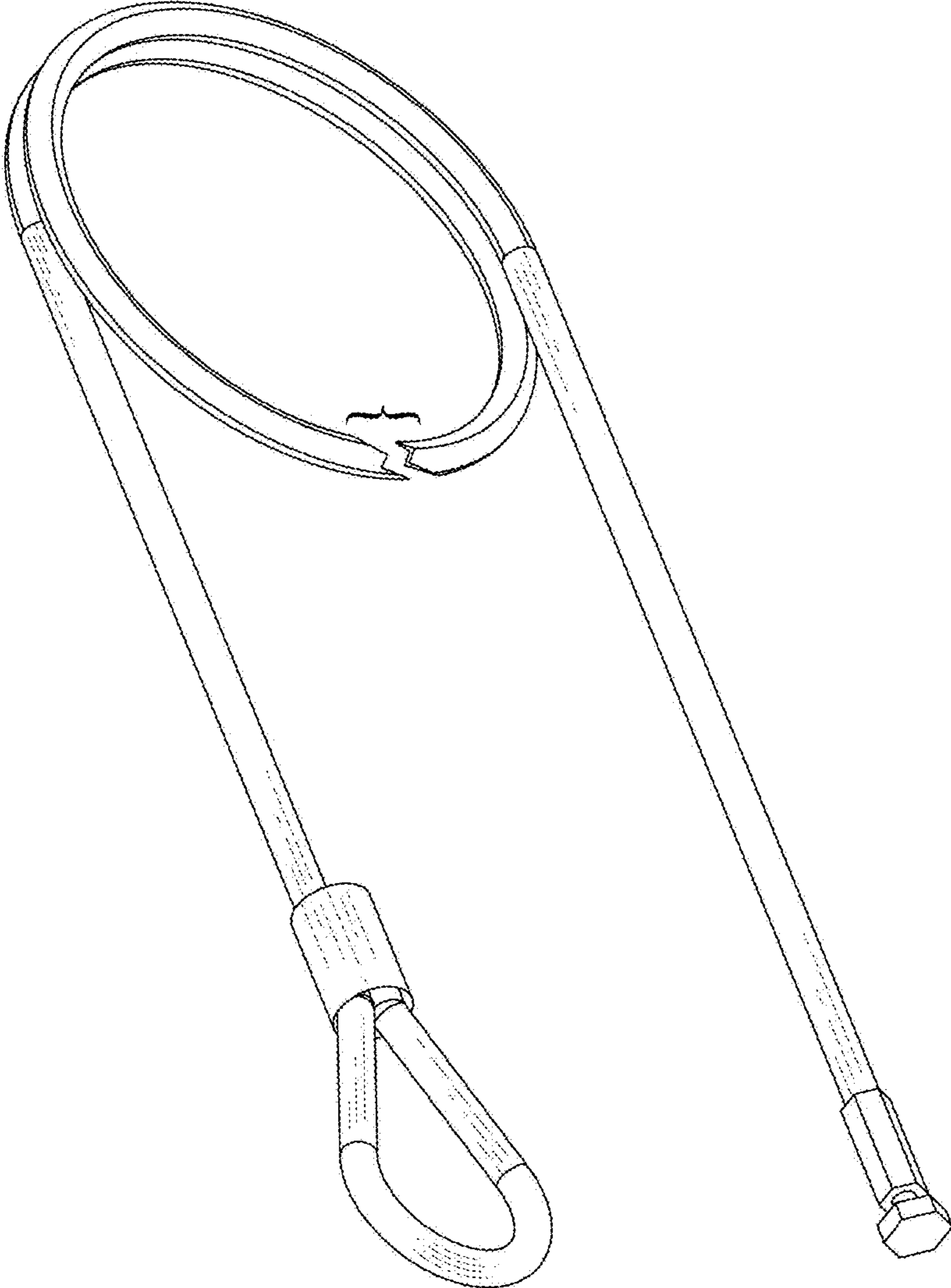


FIG.1

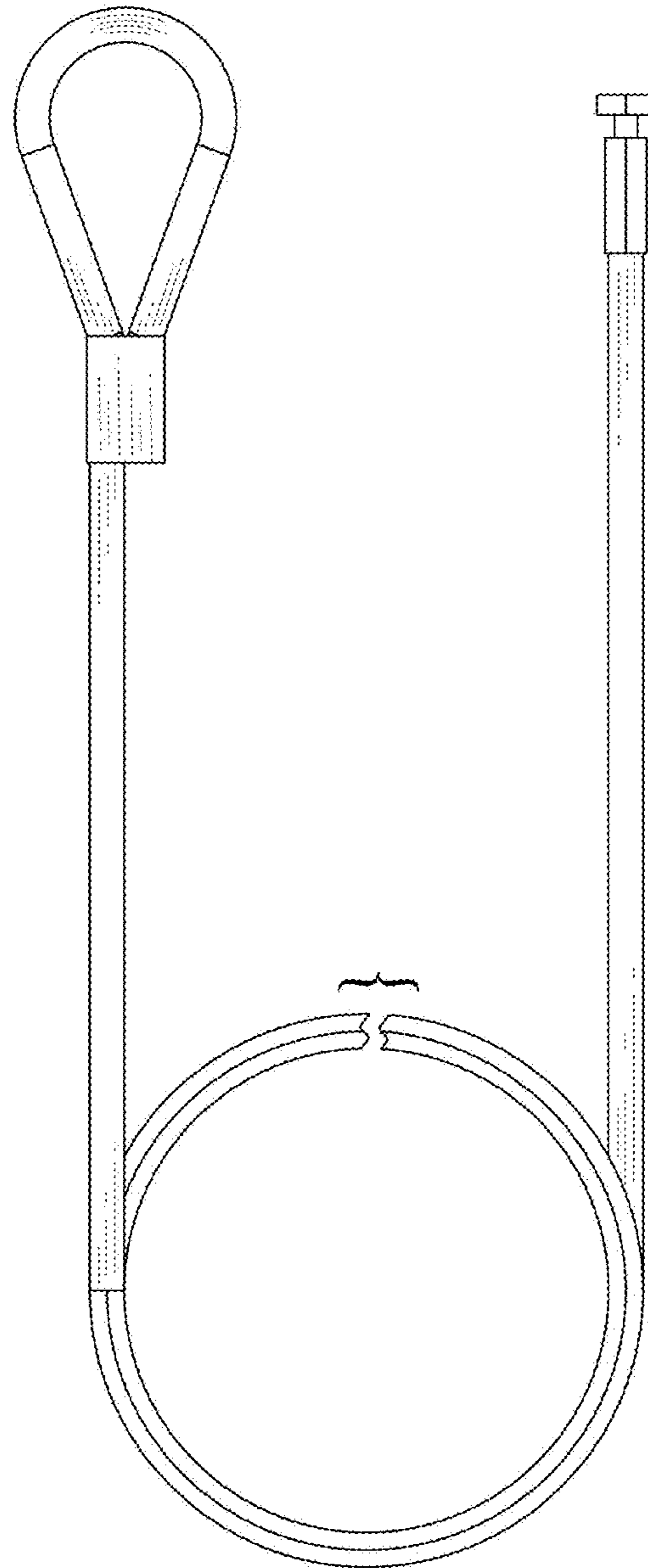


FIG.2

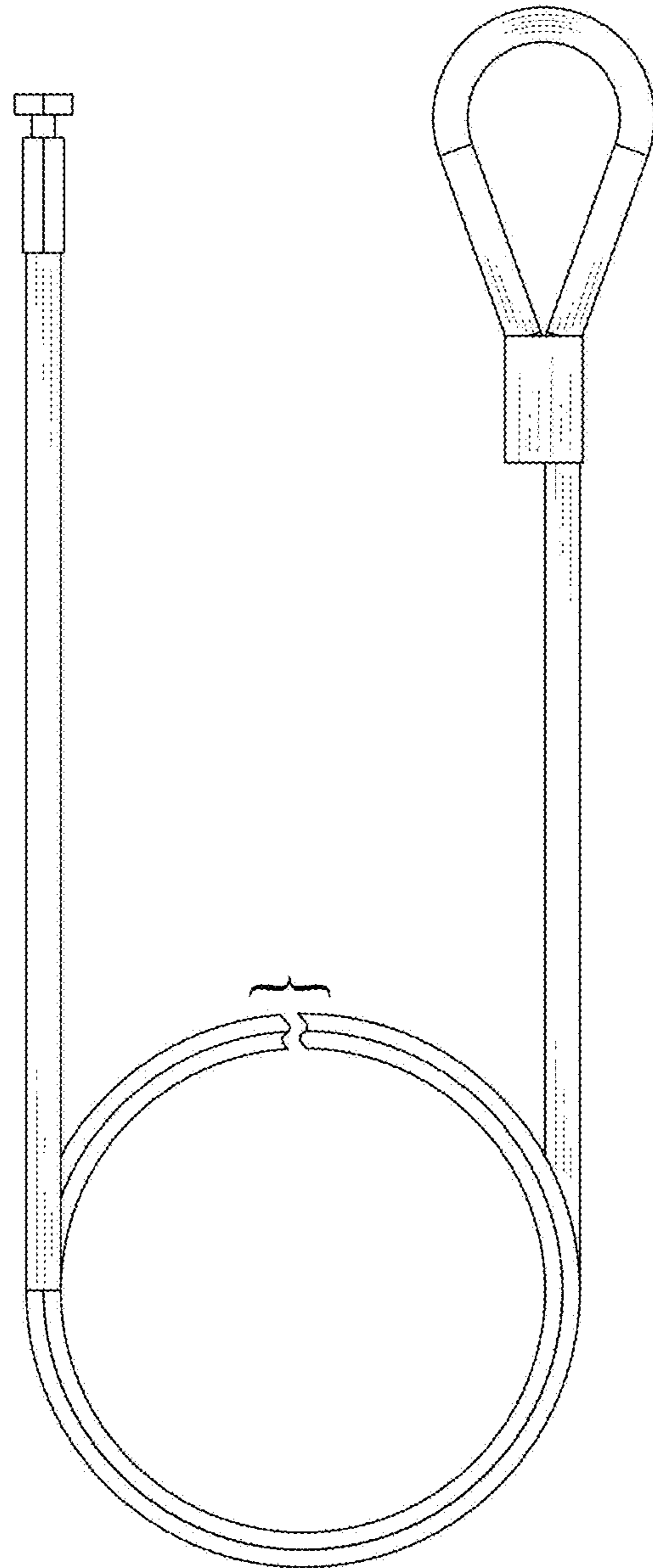


FIG.3

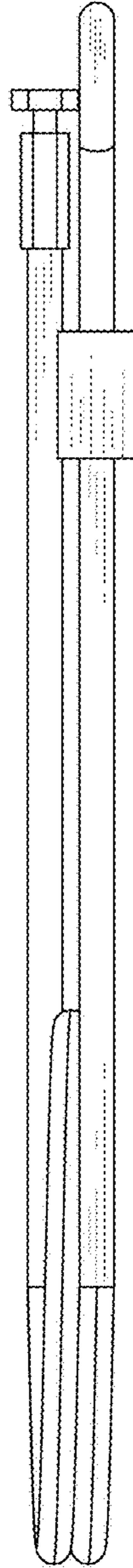


FIG.4

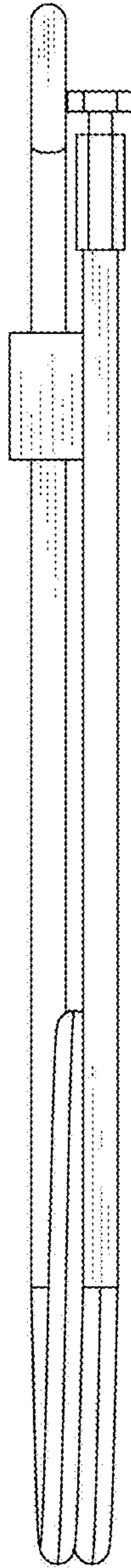


FIG.5

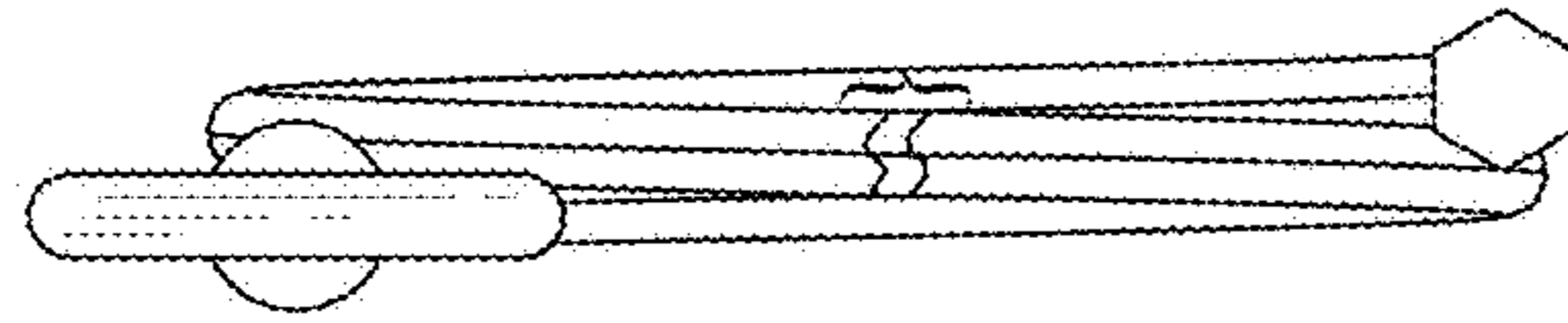


FIG.6

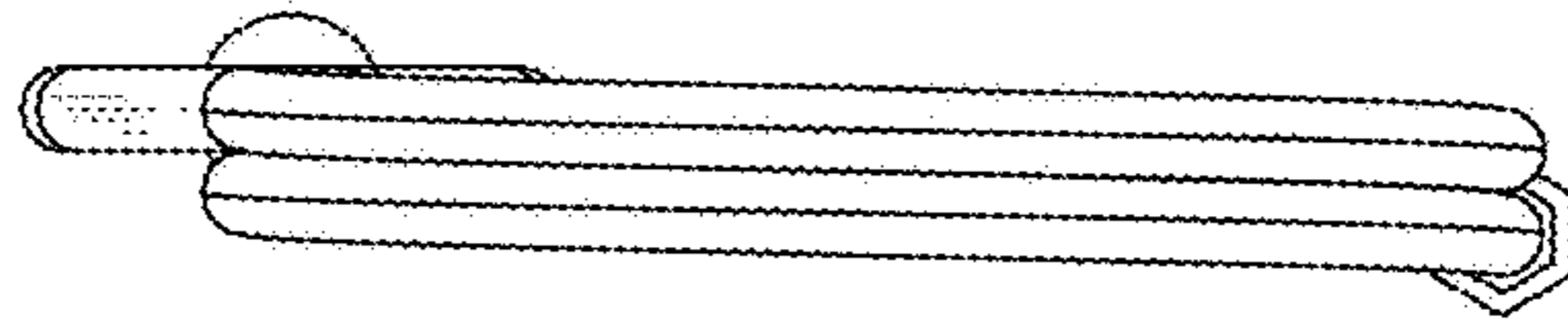


FIG. 7