



US00D935860S

(12) **United States Design Patent** (10) **Patent No.:** **US D935,860 S**  
**Schneider et al.** (45) **Date of Patent:** **\*\* \*Nov. 16, 2021**

(54) **LOCK**  
(71) Applicant: **Spectrum Brands, Inc.**, Middleton, WI (US)  
(72) Inventors: **Elliott Schneider**, Foothill Ranch, CA (US); **Wei Hsu**, Lake Forest, CA (US)  
(73) Assignee: **Spectrum Brands, Inc.**, Middleton, WI (US)

D654,435 S \* 2/2012 Lee ..... D13/138.2  
D701,748 S \* 4/2014 Weathersby ..... D8/350  
D717,153 S \* 11/2014 Sadler ..... D8/330  
D730,714 S 6/2015 Gokcebay et al.  
D760,062 S 6/2016 Groleski  
D811,850 S \* 3/2018 Schneider ..... D8/331  
D811,851 S \* 3/2018 Hsu ..... D8/331  
D837,032 S \* 1/2019 Cavanna ..... D8/331  
2011/0302847 A1\* 12/2011 Johnson ..... E05B 63/0056  
49/503

(\* ) Notice: This patent is subject to a terminal disclaimer.

(\*\*) Term: **15 Years**

(21) Appl. No.: **29/632,291**

(22) Filed: **Jan. 5, 2018**

(51) **LOC (13) Cl.** ..... **08-07**

(52) **U.S. Cl.**  
USPC ..... **D8/330**

(58) **Field of Classification Search**  
USPC ..... D8/330, 331, 300-302, 333, 334, 341, D8/343, 349, 350; 70/14, 20, 31, 52, 57, 70/57.1, 77, 141, 224, 447, 448, 452, 70/465, 466  
CPC .... E05B 47/00; E05B 47/0692; E05B 63/044; E05B 9/02; E05B 2009/006; E05B 49/00; E05B 63/0056  
See application file for complete search history.

(56) **References Cited**

**U.S. PATENT DOCUMENTS**

D324,635 S \* 3/1992 Weinerman ..... D8/331  
D503,608 S 4/2005 Fields

**OTHER PUBLICATIONS**

Sep. 20, 2018—(TW) Notice of Allowance—App 107301049.

\* cited by examiner

*Primary Examiner* — Manpreet S Matharu

*Assistant Examiner* — Yolanda Robinson

(74) *Attorney, Agent, or Firm* — Banner & Witcoff, Ltd.

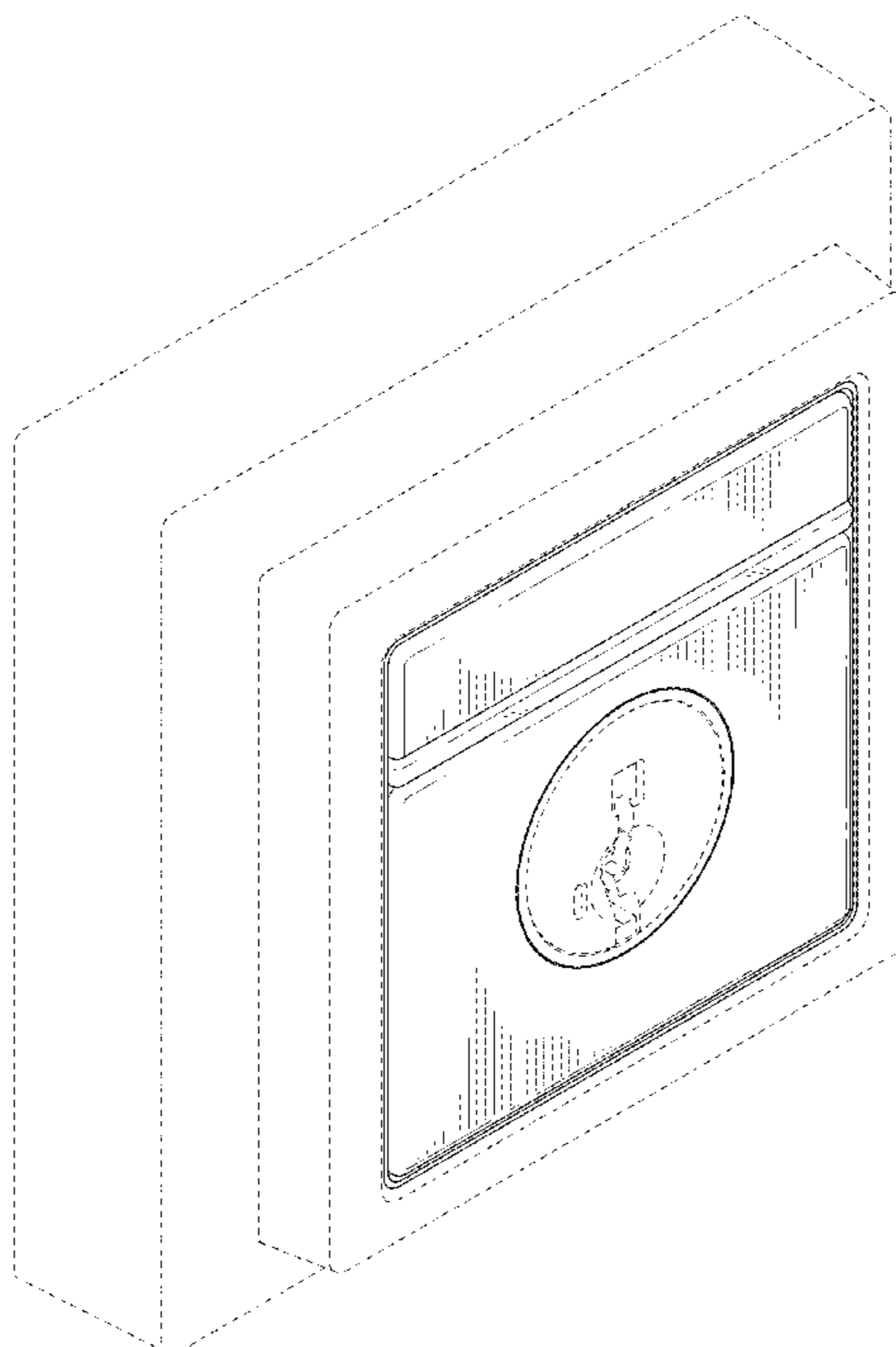
(57) **CLAIM**

The ornamental design for a lock, as shown and described.

**DESCRIPTION**

FIG. 1 is a front perspective view of a lock showing our new design;  
FIG. 2 is a front view thereof;  
FIG. 3 is a left side view thereof;  
FIG. 4 is a right side view thereof;  
FIG. 5 is a top view thereof; and,  
FIG. 6 is a bottom view thereof.  
The broken line showing of the circular keyway region and the remainder of the lock represents unclaimed subject matter and forms no part of the claimed design.

**1 Claim, 5 Drawing Sheets**



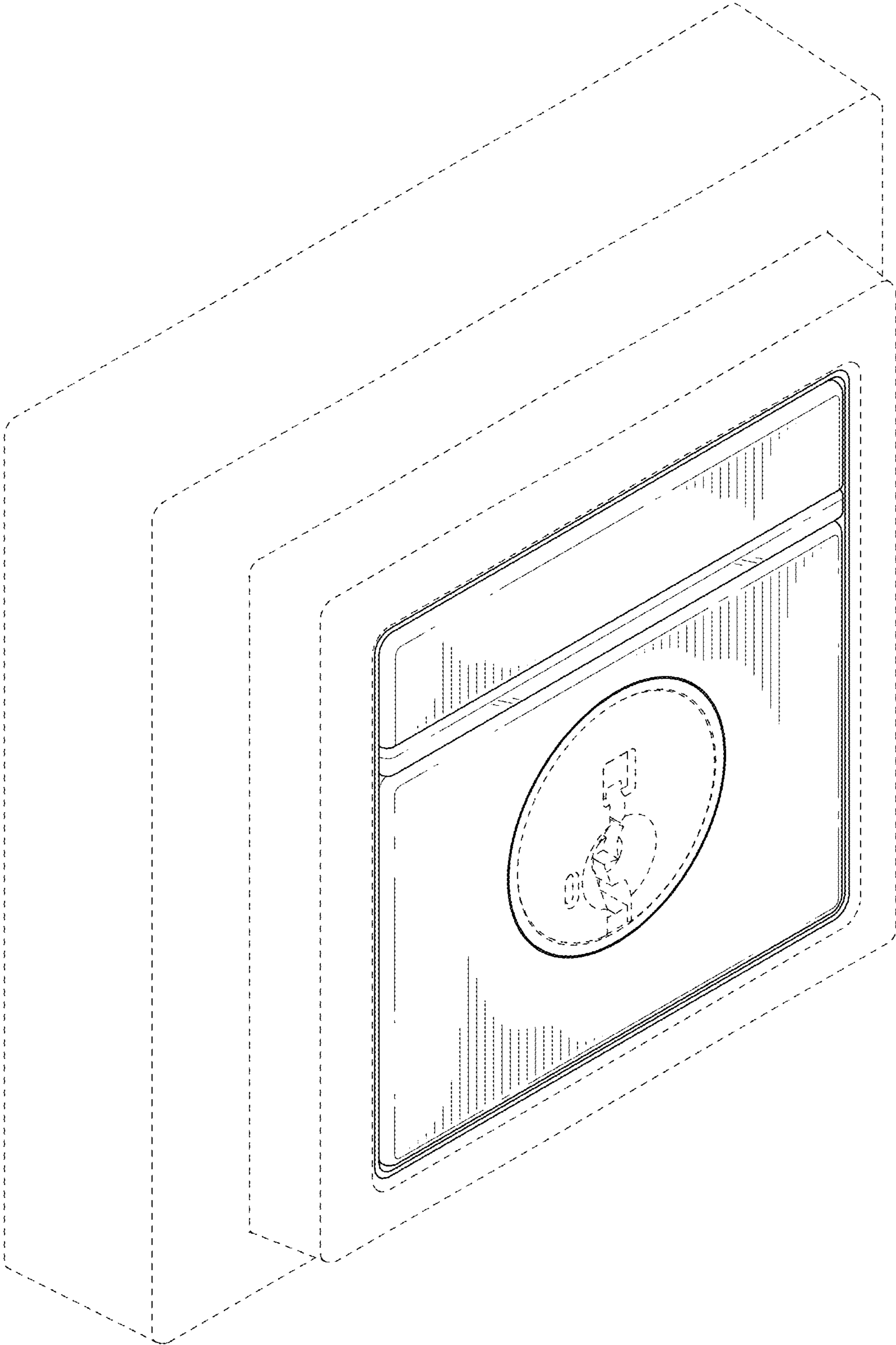


FIG. 1

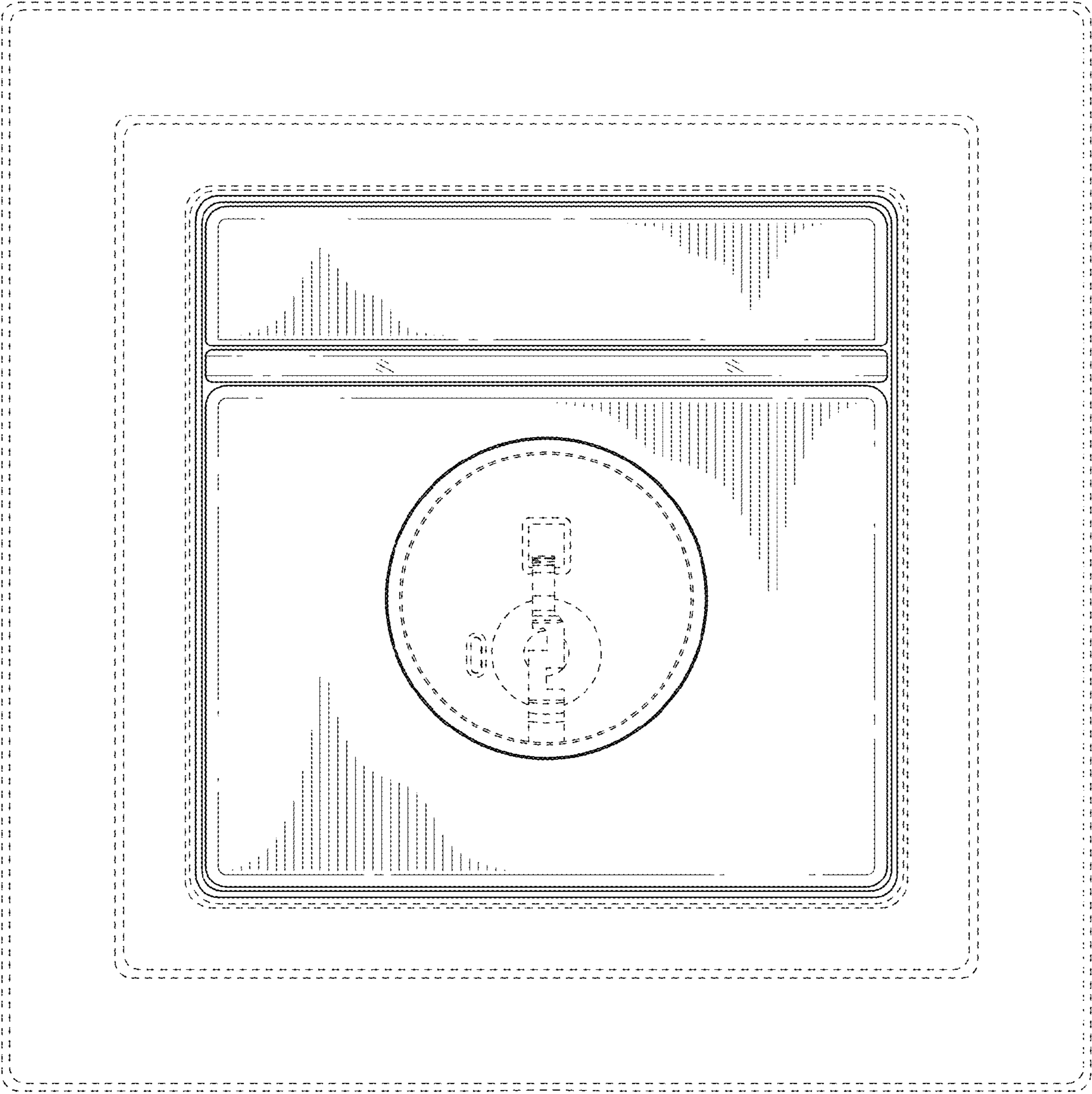


FIG. 2

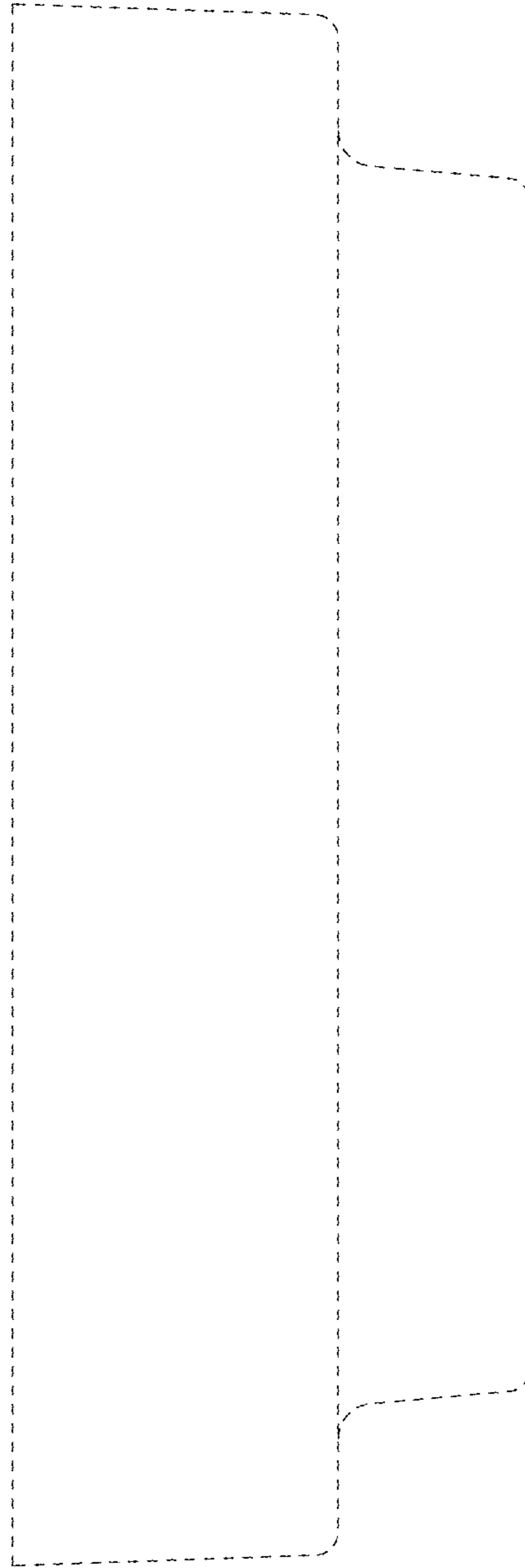


FIG. 3

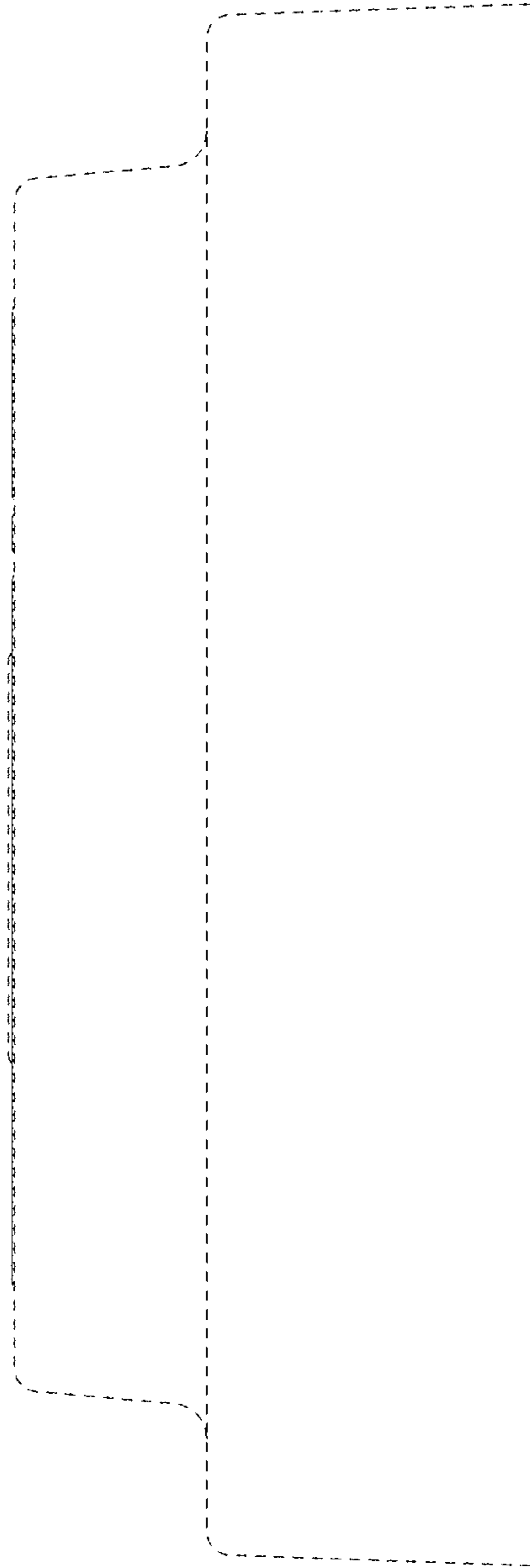


FIG. 4



FIG. 5

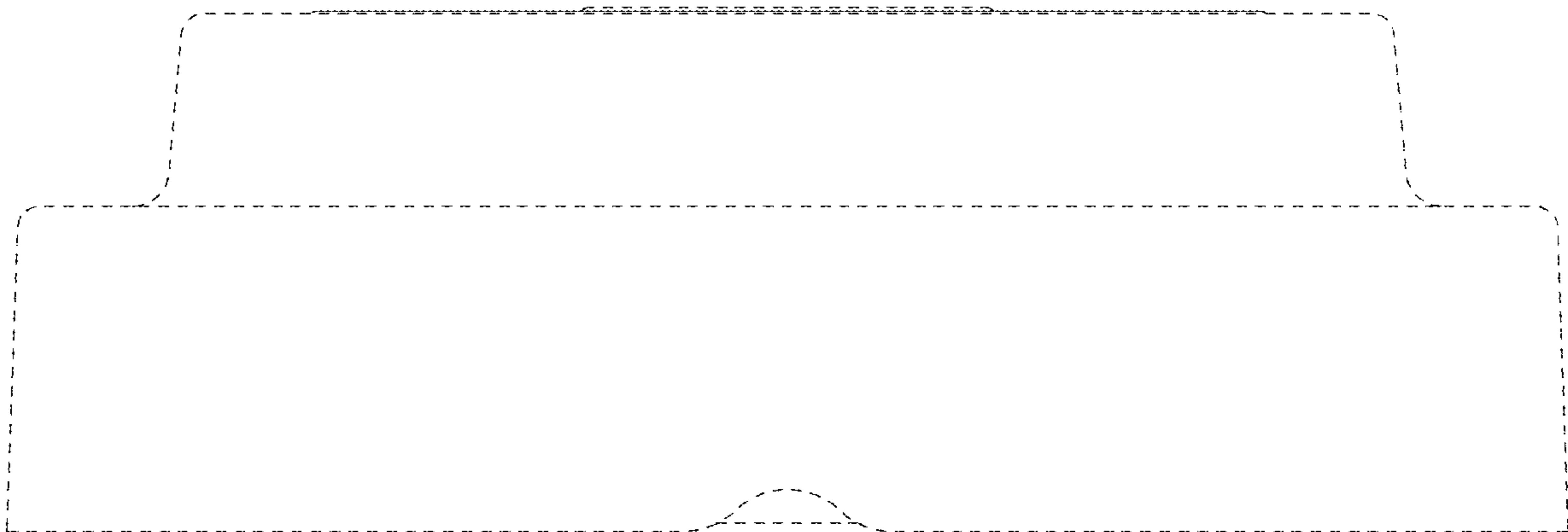


FIG. 6