



US00D935859S

(12) **United States Design Patent**
Bertolotto

(10) **Patent No.:** **US D935,859 S**

(45) **Date of Patent:** **** Nov. 16, 2021**

(54) **DOOR HINGE**

(71) Applicant: **Claudio Bertolotto**, Barge (IT)

(72) Inventor: **Claudio Bertolotto**, Barge (IT)

(**) Term: **15 Years**

(21) Appl. No.: **29/735,312**

(22) Filed: **May 20, 2020**

(51) **LOC (13) Cl.** **08-06**

(52) **U.S. Cl.**
USPC **D8/323**

(58) **Field of Classification Search**
USPC D8/323; 292/264; 16/250, 251;
248/213

(Continued)

(56) **References Cited**

U.S. PATENT DOCUMENTS

D371,951 S * 7/1996 Rabo D8/323
D718,607 S * 12/2014 Thrush D8/323

(Continued)

Primary Examiner — Cynthia R Underwood

(74) *Attorney, Agent, or Firm* — McAndrews, Held & Malloy, Ltd.

(57) **CLAIM**

The ornamental design for a door hinge, as shown and described.

DESCRIPTION

FIG. 1 is a front perspective view of a door hinge showing my design according to a first embodiment;
FIG. 2 is a front elevation view thereof;
FIG. 3 is a left side elevation view thereof;
FIG. 4 is a rear elevation view thereof;
FIG. 5 is a right side elevation view thereof;
FIG. 6 is a top plan view thereof;
FIG. 7 is a bottom plan view thereof;

FIG. 8 is a front perspective view of a door hinge showing my design according to a second embodiment;
FIG. 9 is a front elevation view thereof;
FIG. 10 is a right side elevation view thereof;
FIG. 11 is a rear elevation view thereof;
FIG. 12 is a left side elevation view thereof;
FIG. 13 is a top plan view thereof;
FIG. 14 is a bottom plan view thereof;
FIG. 15 is a front perspective view of a door hinge showing a portion of the door hinge shown in FIGS. 1-7 separately for a clarity of illustration;
FIG. 16 is a front elevation view thereof;
FIG. 17 is a left side elevation view thereof;
FIG. 18 is a rear elevation view thereof;
FIG. 19 is a right side elevation view thereof;
FIG. 20 is a top plan view thereof;
FIG. 21 is a bottom plan view thereof;
FIG. 22 is a front perspective view of a door hinge showing a portion of the door hinge shown in FIGS. 8-14 separately for a clarity of illustration;
FIG. 23 is a front elevation view thereof;
FIG. 24 is a right side elevation view thereof;
FIG. 25 is a rear elevation view thereof;
FIG. 26 is a left side elevation view thereof;
FIG. 27 is a top plan view thereof;
FIG. 28 is a bottom plan view thereof;
FIG. 29 is a front perspective view of a door hinge showing a portion of the door hinge shown in FIGS. 1-7 separately for clarity of illustration;
FIG. 30 is a front elevation view thereof;
FIG. 31 is a left side elevation view thereof;
FIG. 32 is a rear elevation view thereof;
FIG. 33 is a right side elevation view thereof;
FIG. 34 is a top plan view thereof;
FIG. 35 is a bottom plan view thereof;
FIG. 36 is a front perspective view of a door hinge showing a portion of the door hinge shown in FIGS. 8-14 separately for clarity of illustration;
FIG. 37 is a front elevation view thereof;
FIG. 38 is a right side elevation view thereof;
FIG. 39 is a rear elevation view thereof;

(Continued)

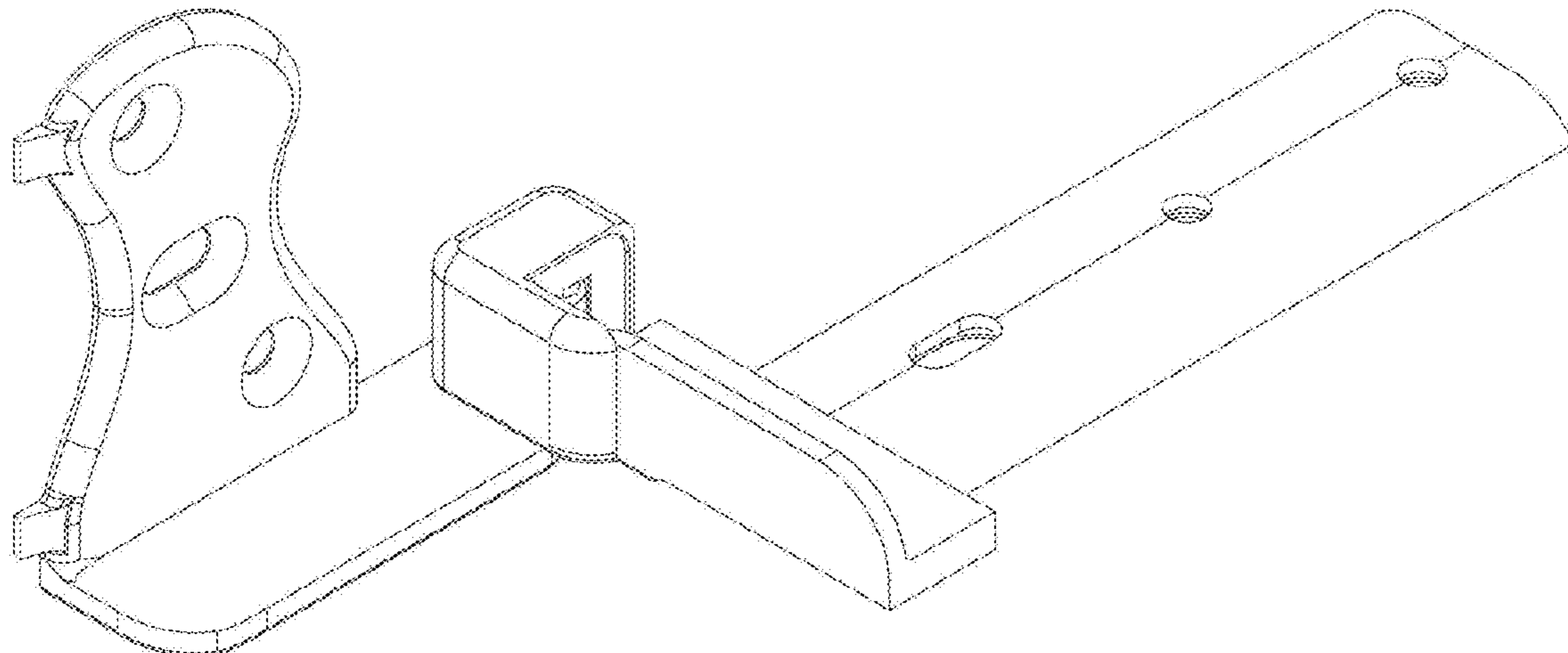


FIG. 40 is a left side elevation view thereof;
FIG. 41 is a top plan view thereof; and,
FIG. 42 is a bottom plan view thereof.

1 Claim, 42 Drawing Sheets

(58) **Field of Classification Search**

CPC B64G 1/222; E05D 1/02; E05D 11/082;
E05D 5/12

See application file for complete search history.

(56) **References Cited**

U.S. PATENT DOCUMENTS

D748,966	S *	2/2016	Morinaga	D8/323
10,184,280	B2 *	1/2019	Rahman	E05D 3/02
D858,251	S *	9/2019	van Cronenburg	D8/323
11,054,866	B2 *	7/2021	Lin	F16C 11/04

* cited by examiner

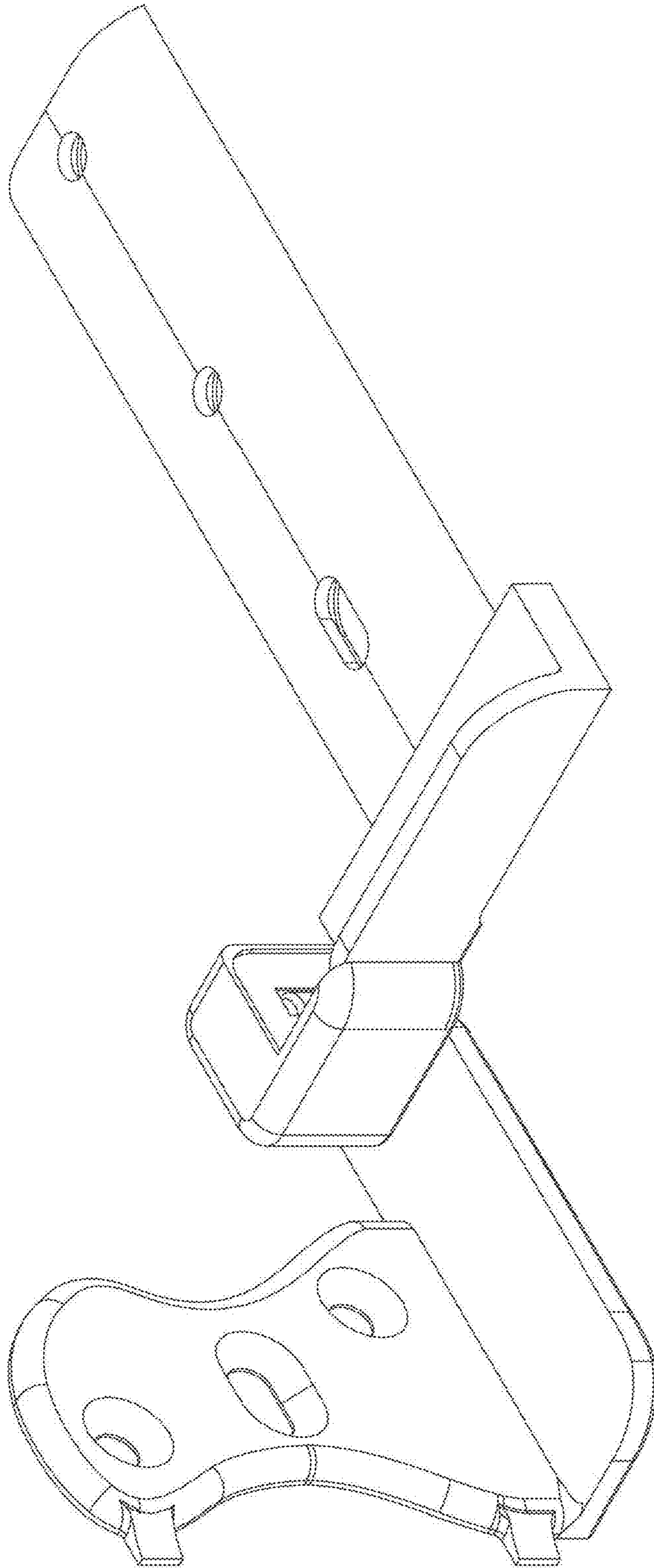


FIG. 1

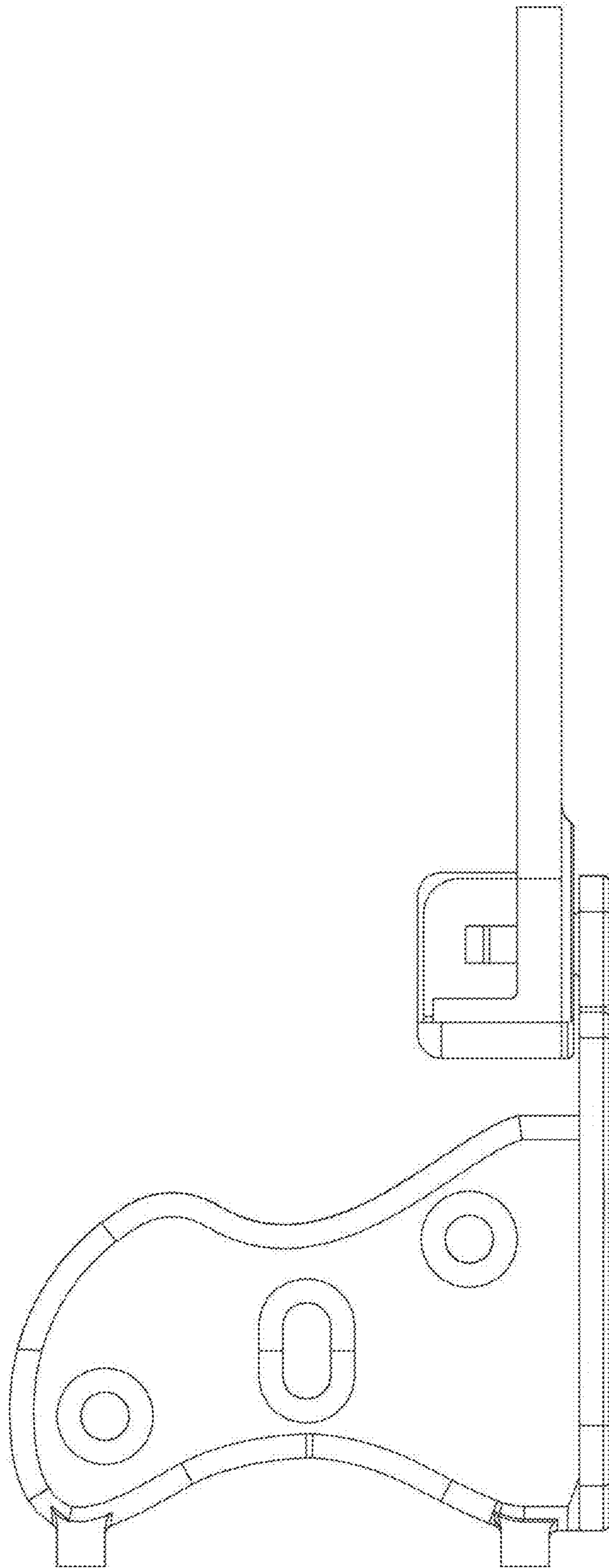


FIG. 2

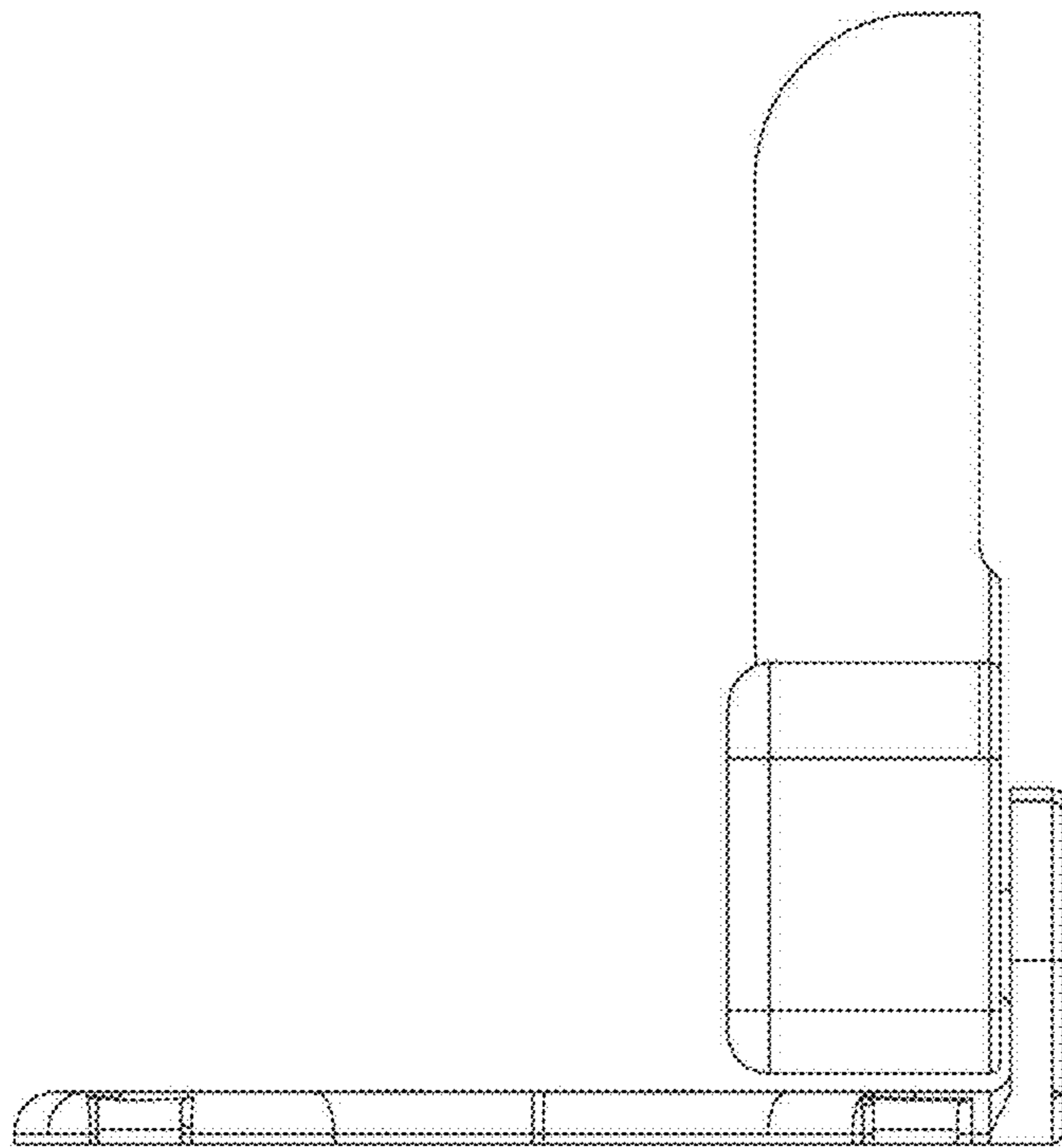


FIG. 3

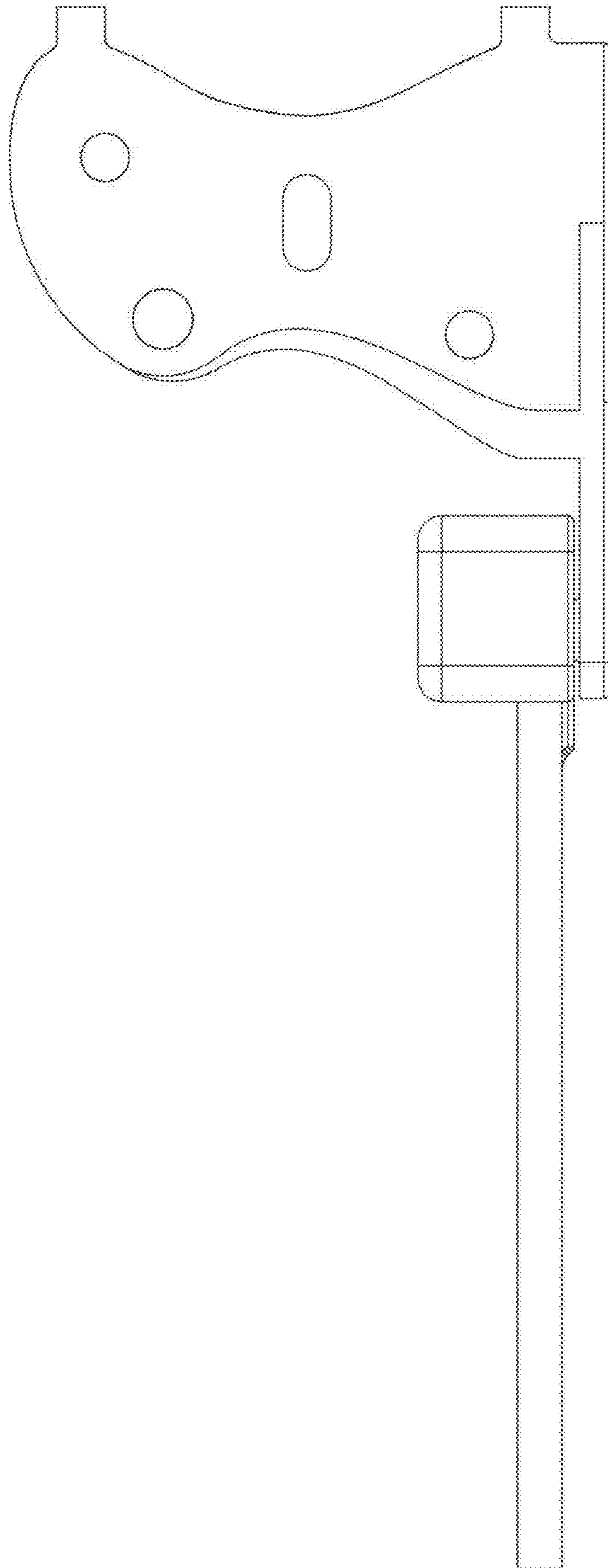


FIG. 4

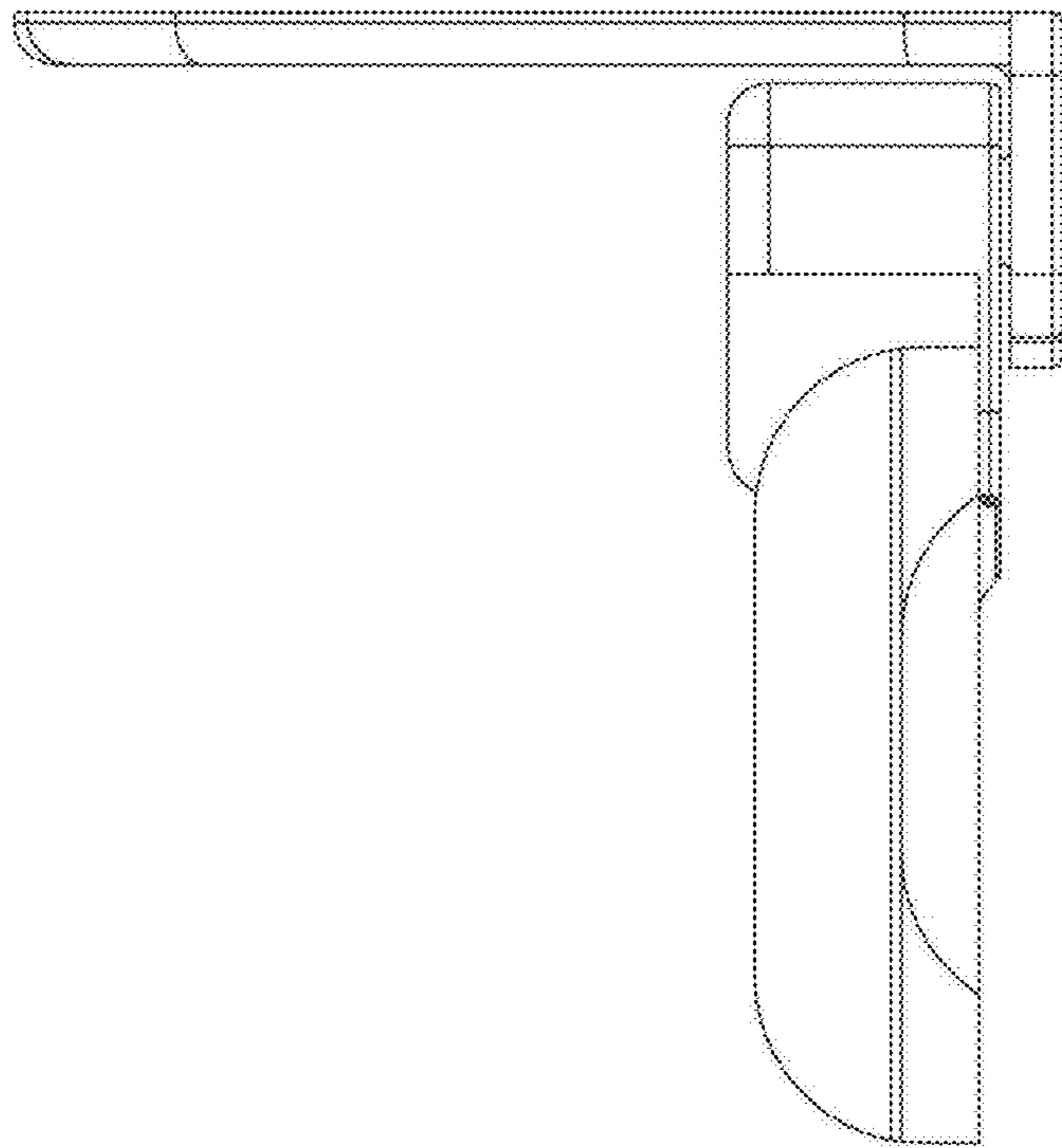


FIG. 5

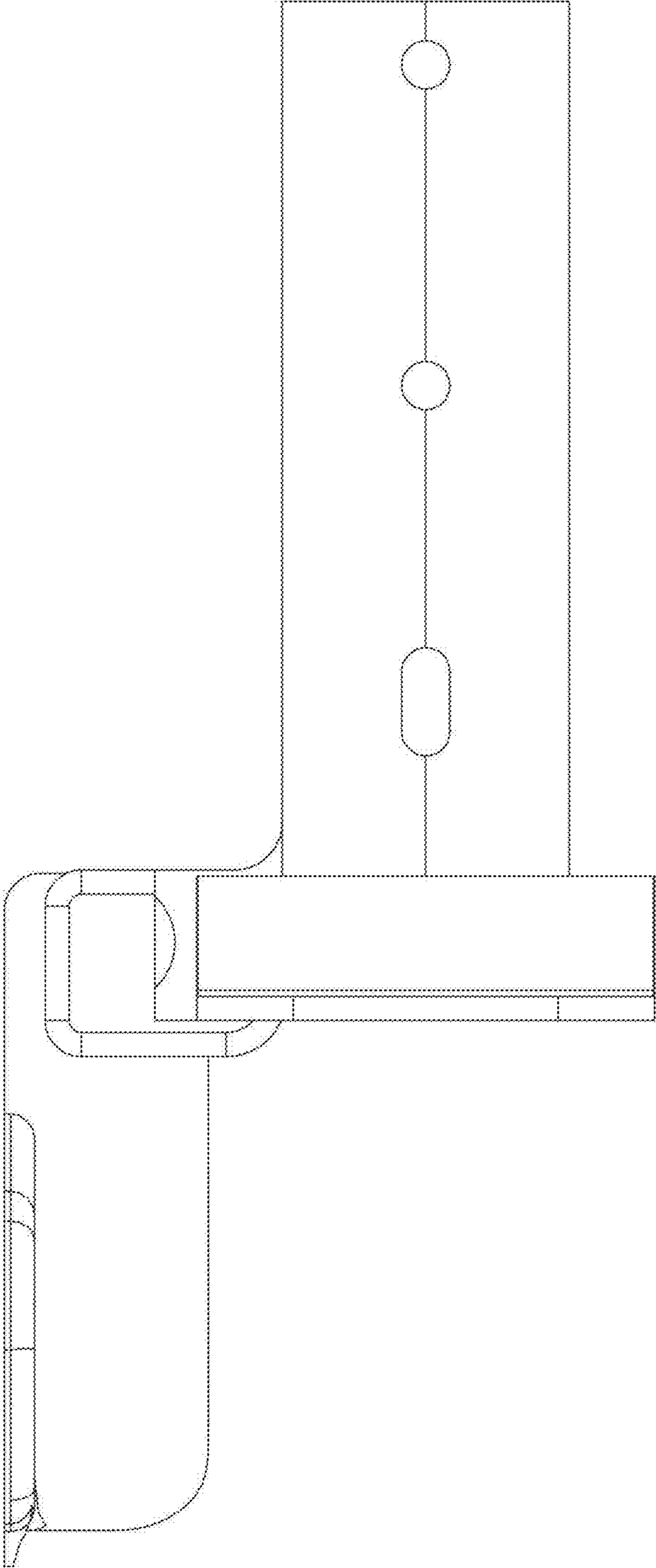


FIG. 6

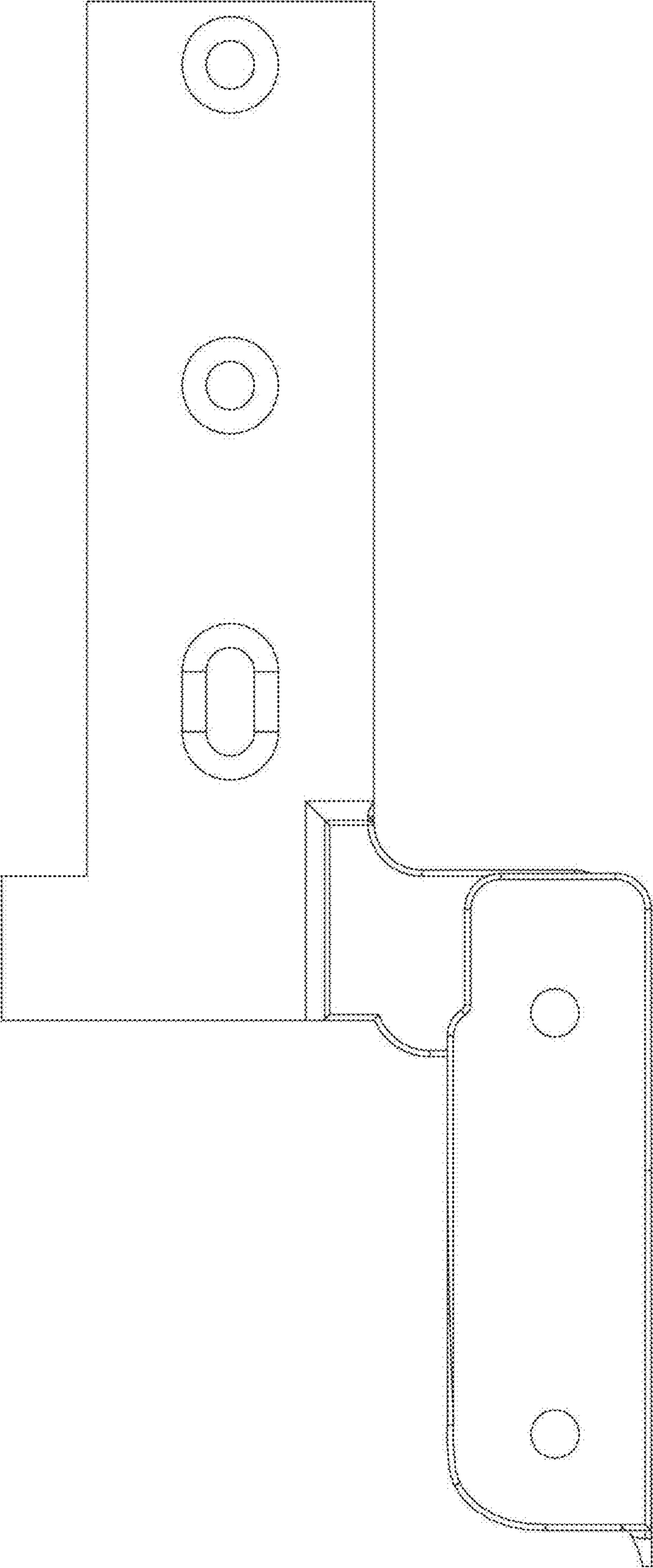


FIG. 7

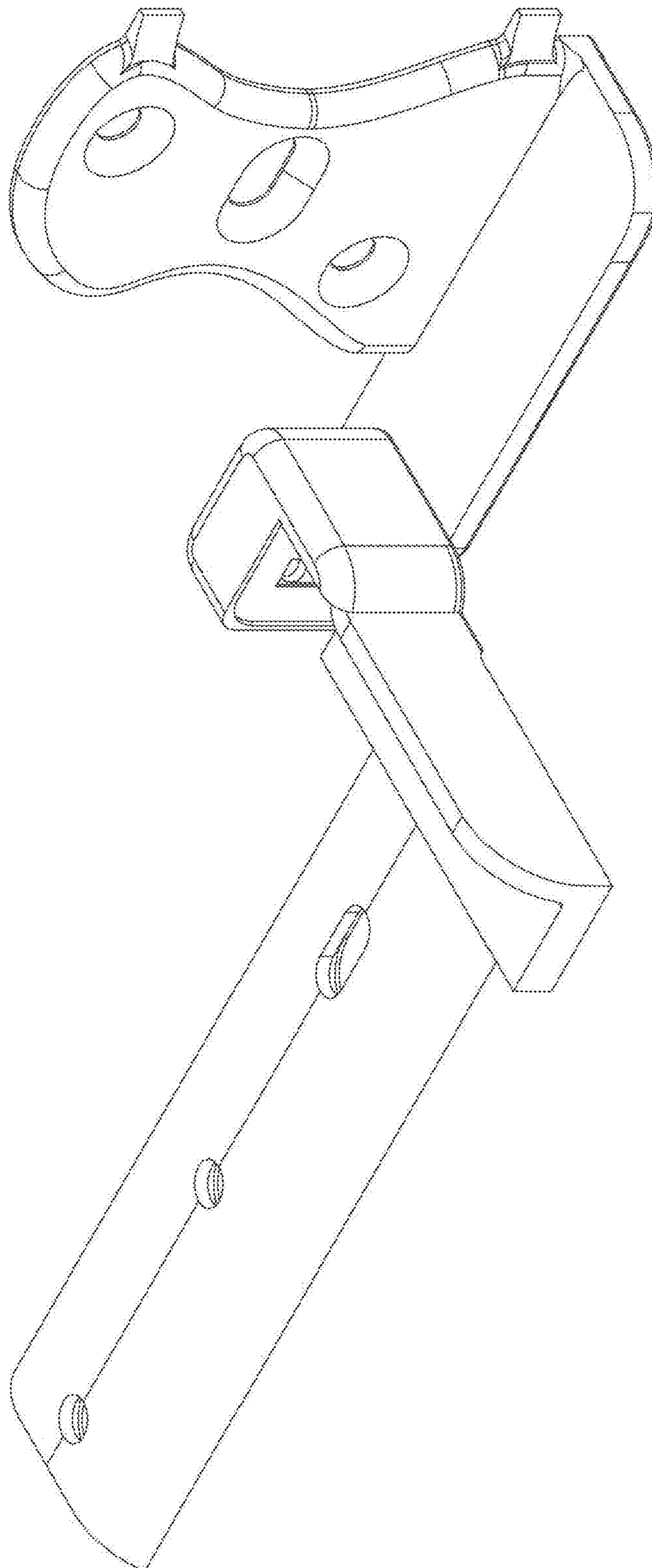


FIG. 8

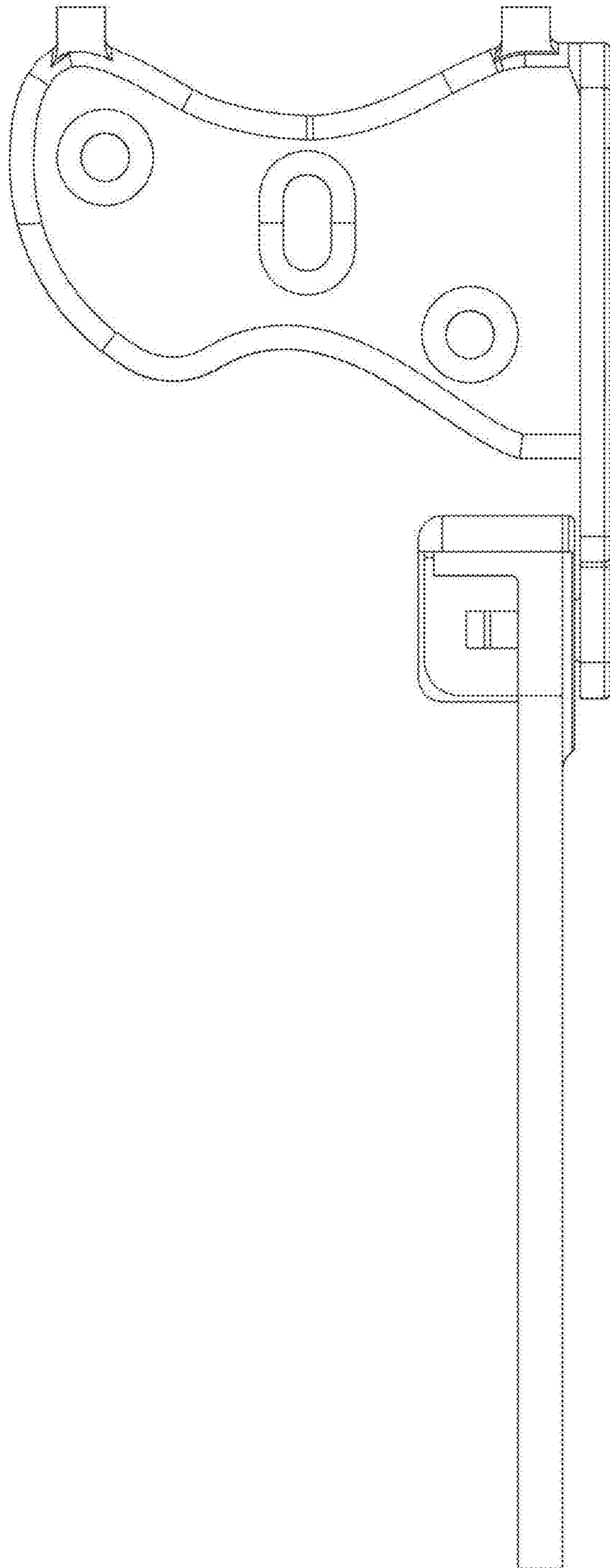


FIG. 9

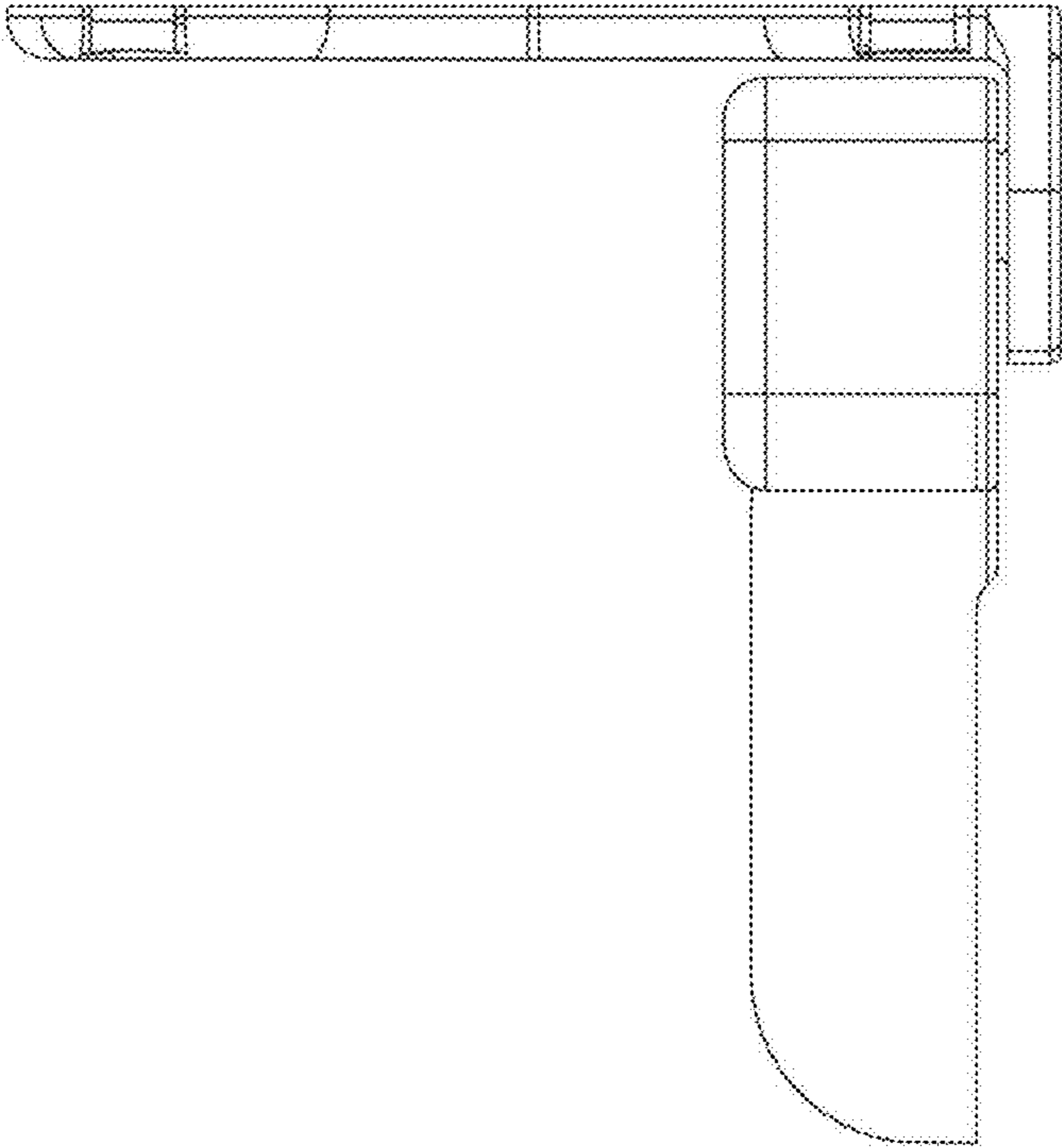


FIG. 10

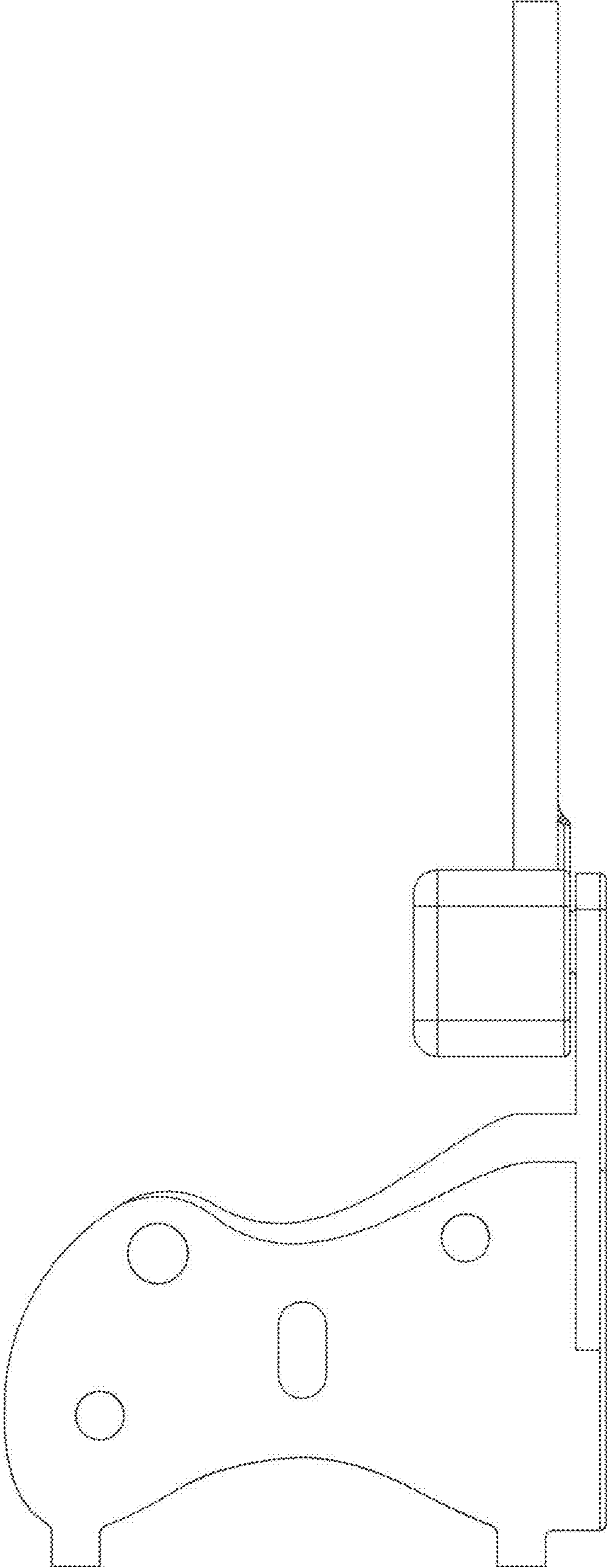


FIG. 11

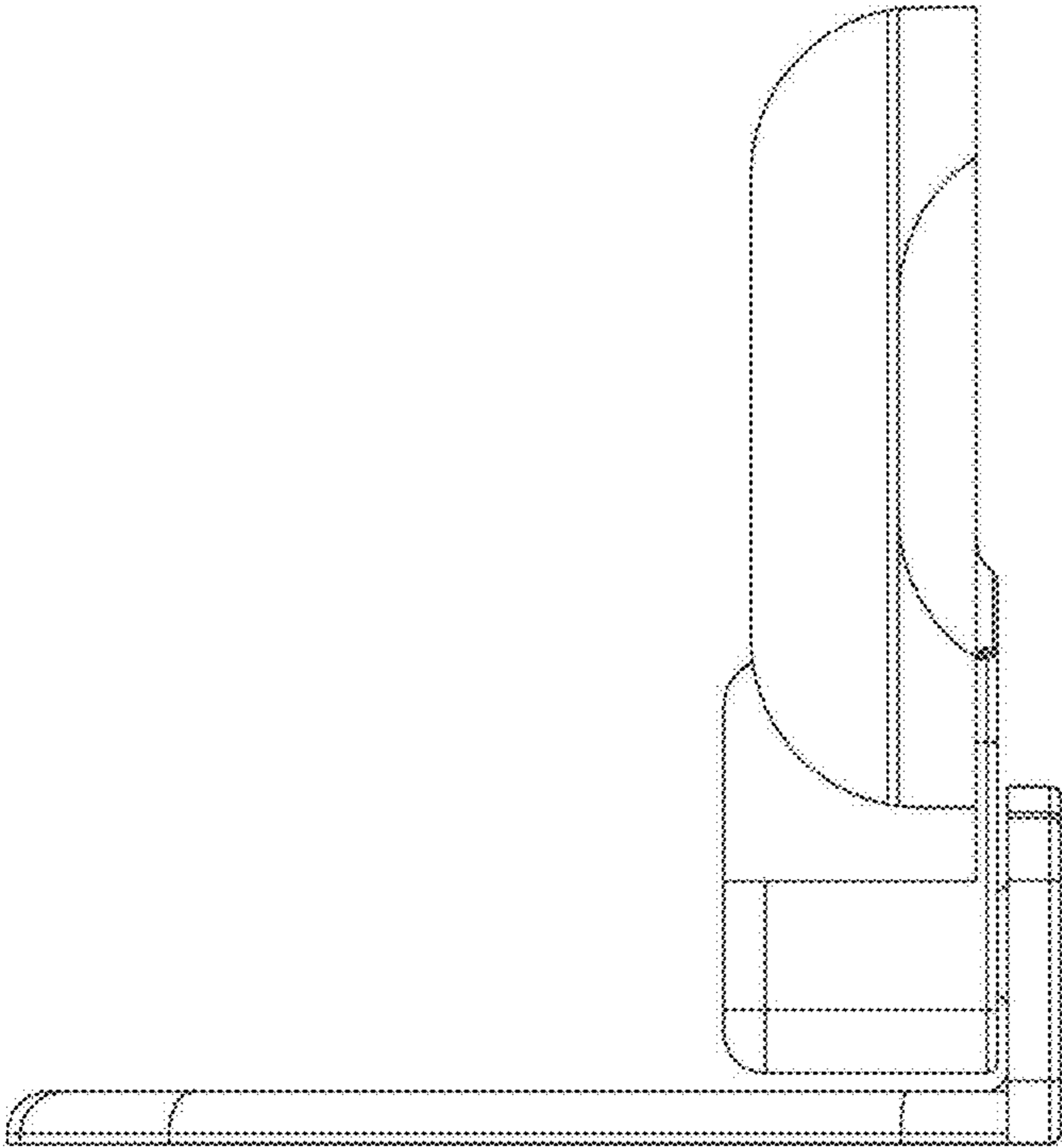


FIG. 12

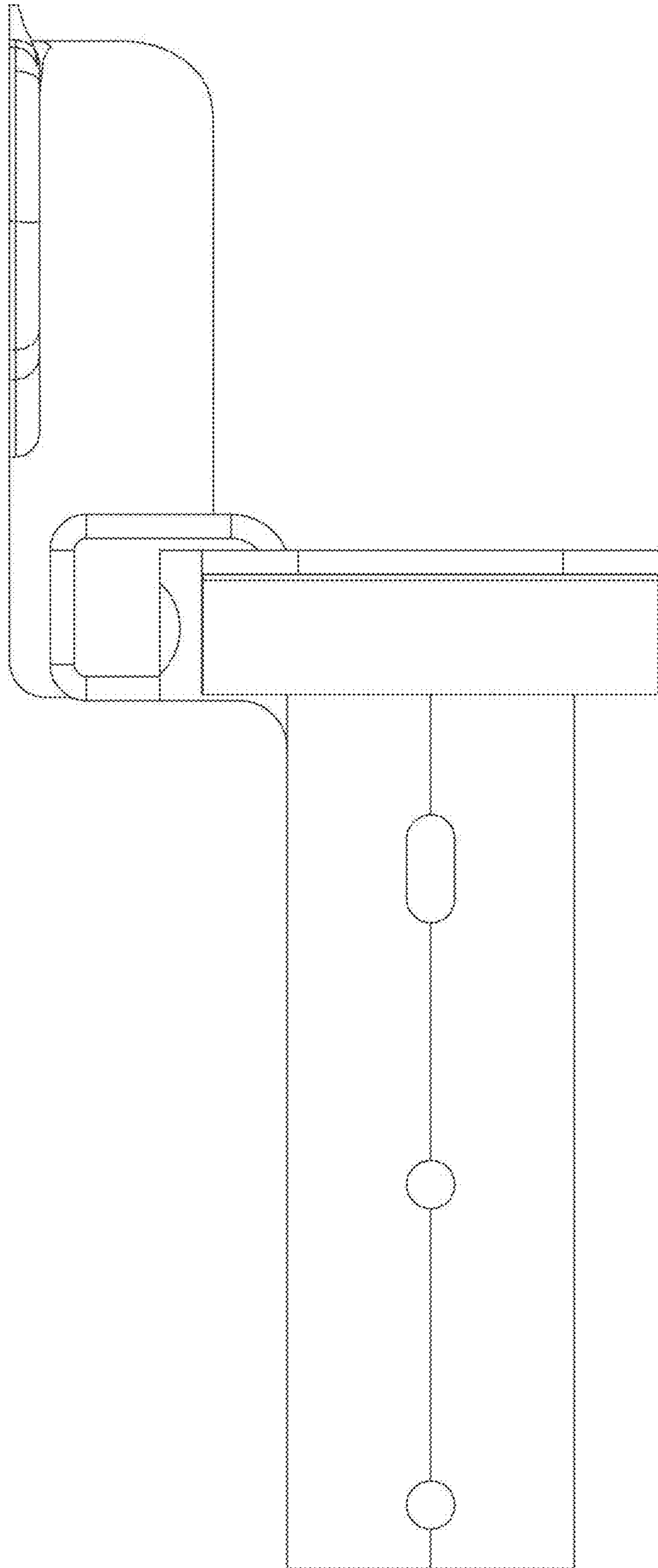


FIG. 13

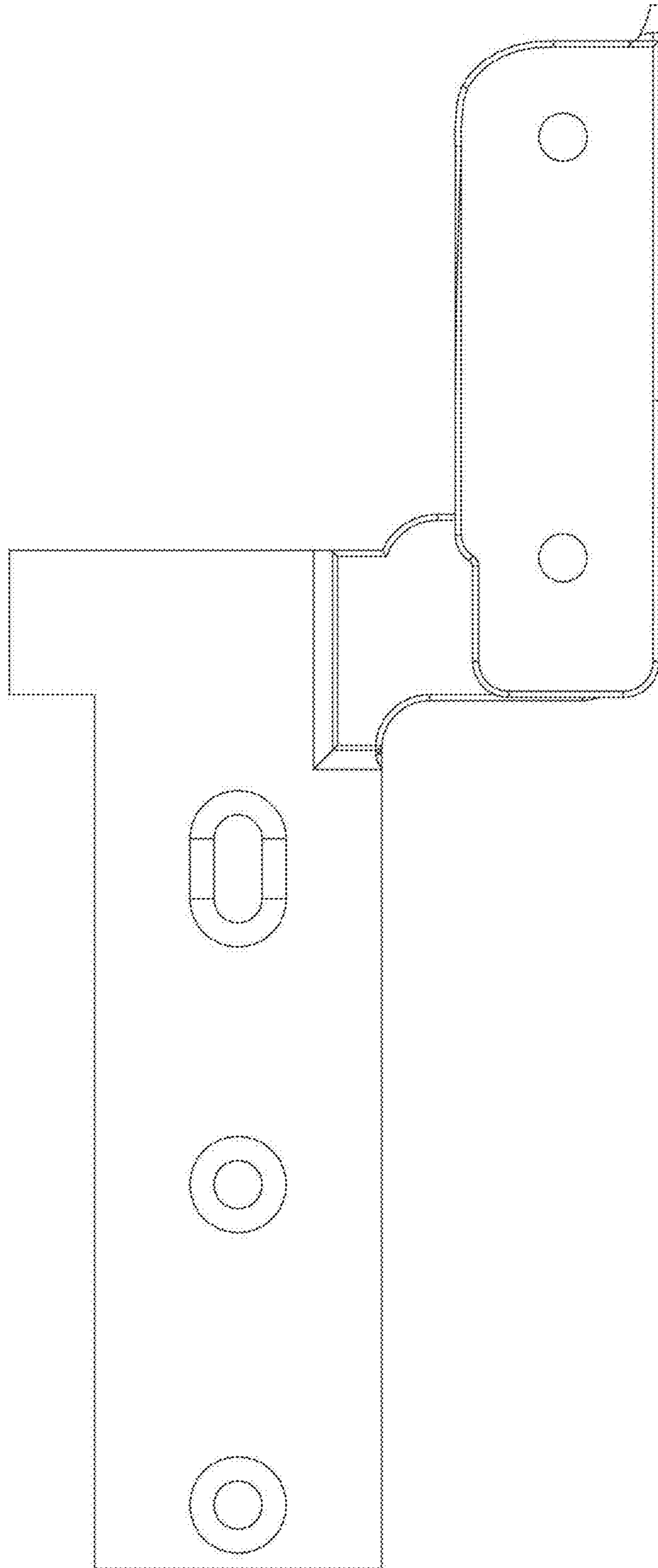


FIG. 14

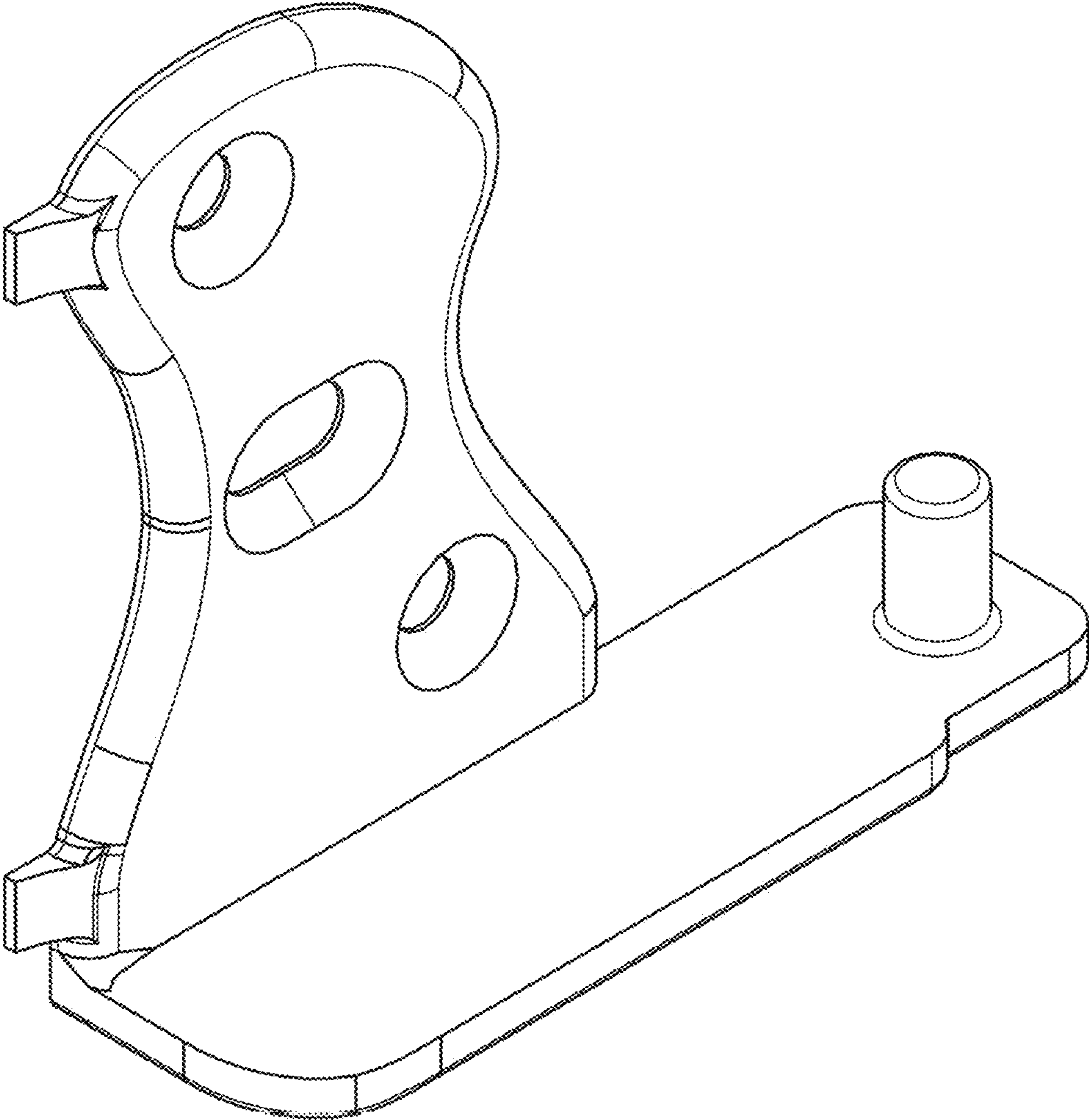


FIG. 15

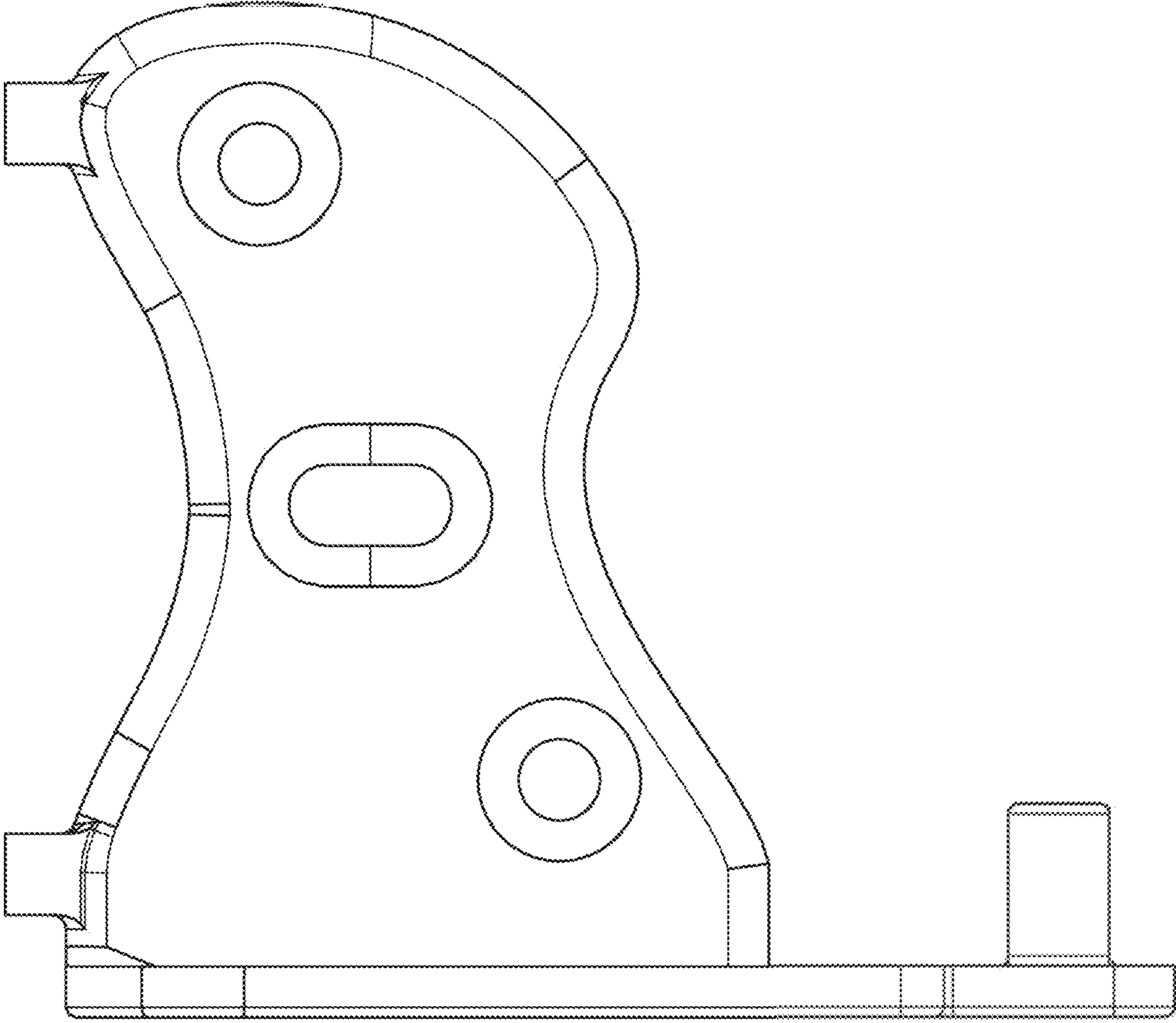


FIG. 16

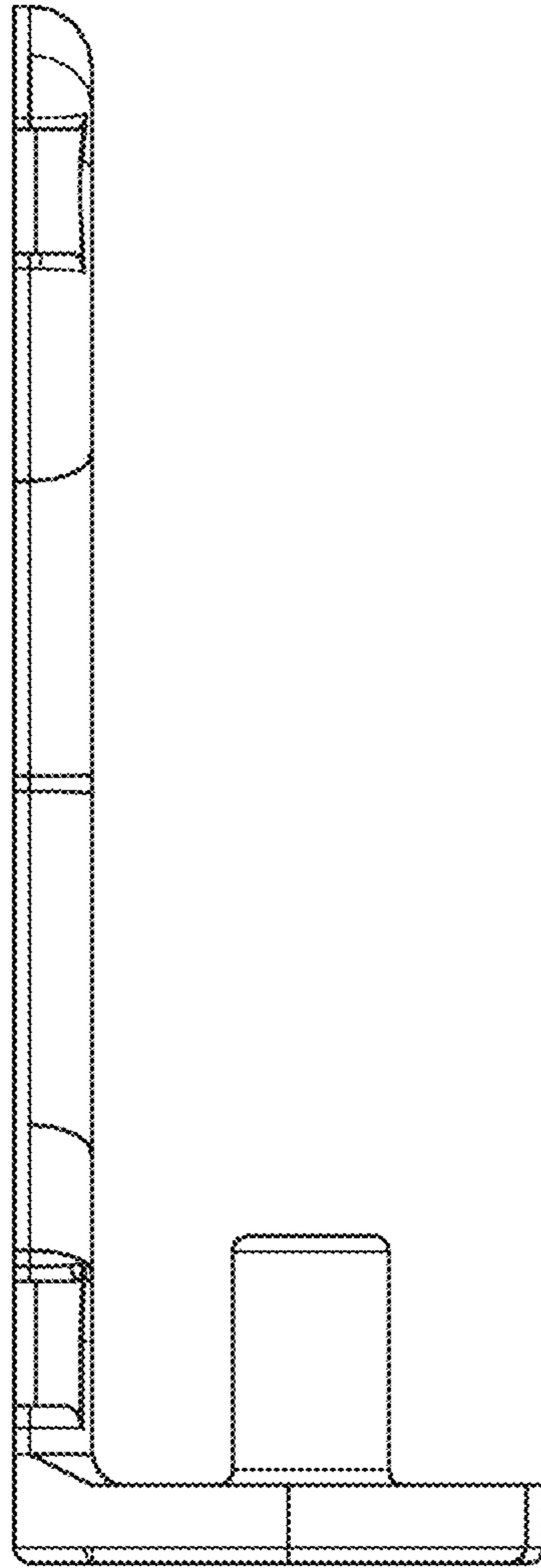


FIG. 17

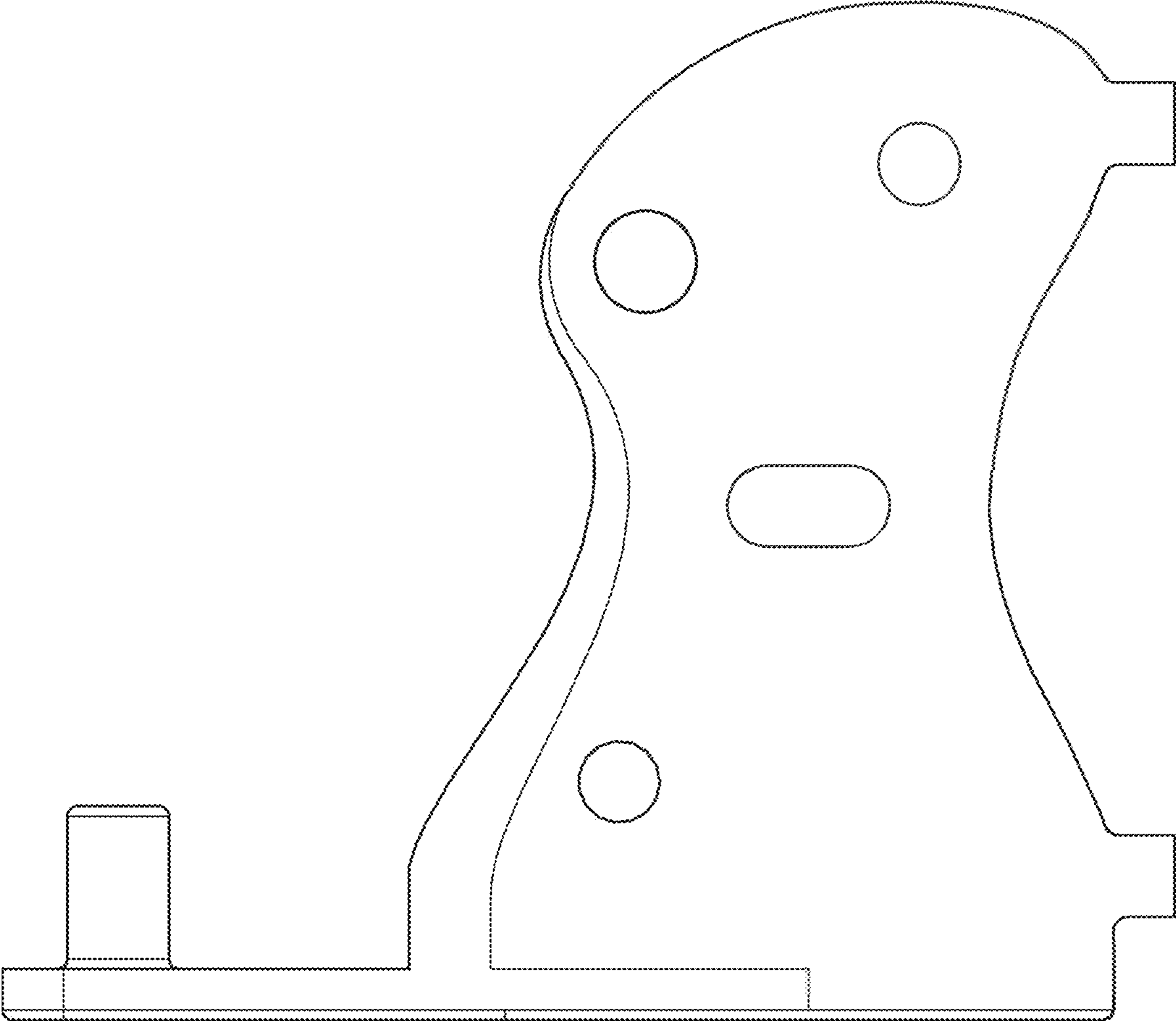


FIG. 18

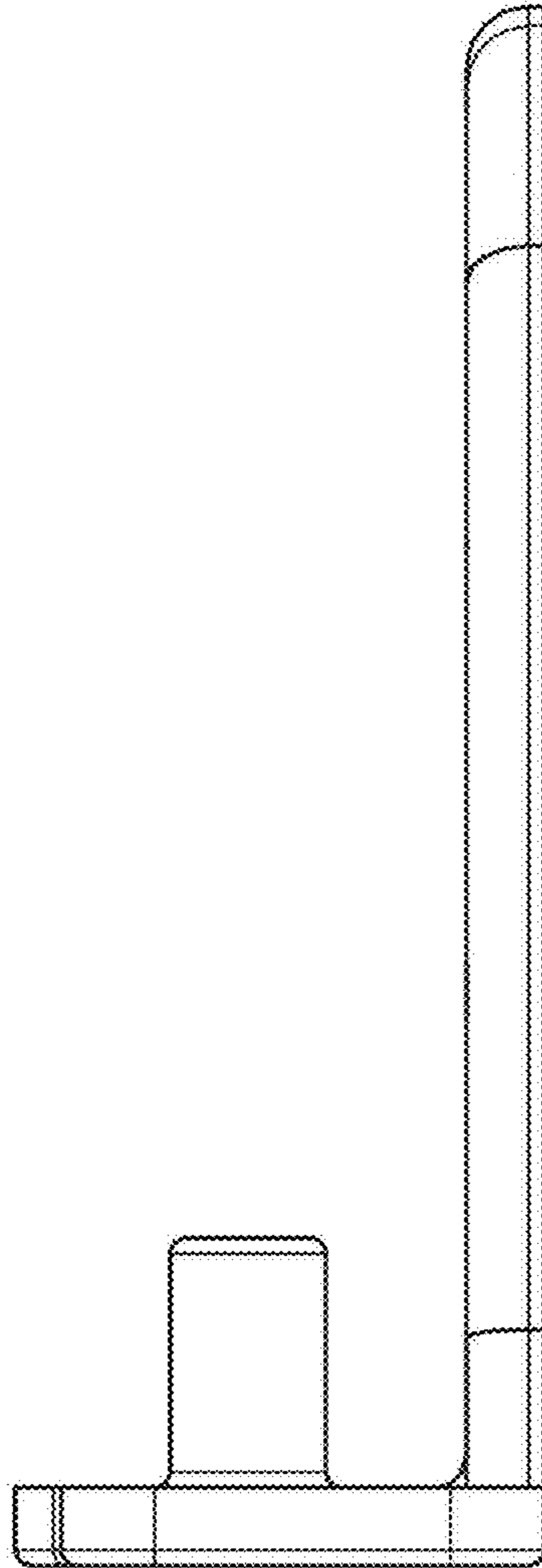


FIG. 19

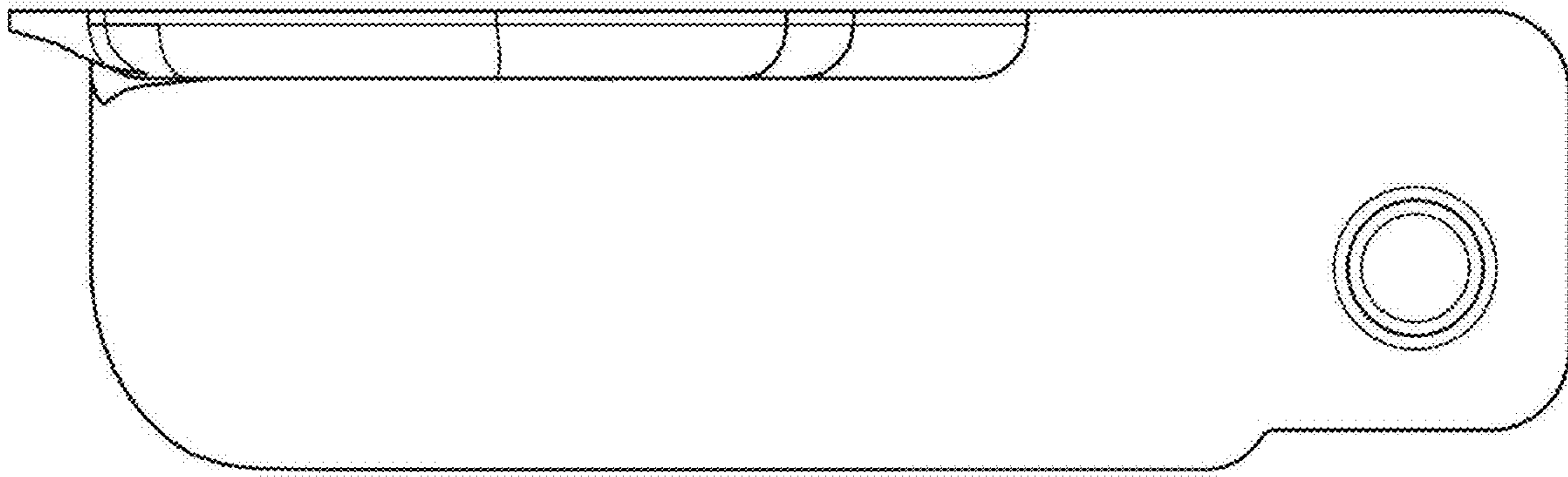


FIG. 20

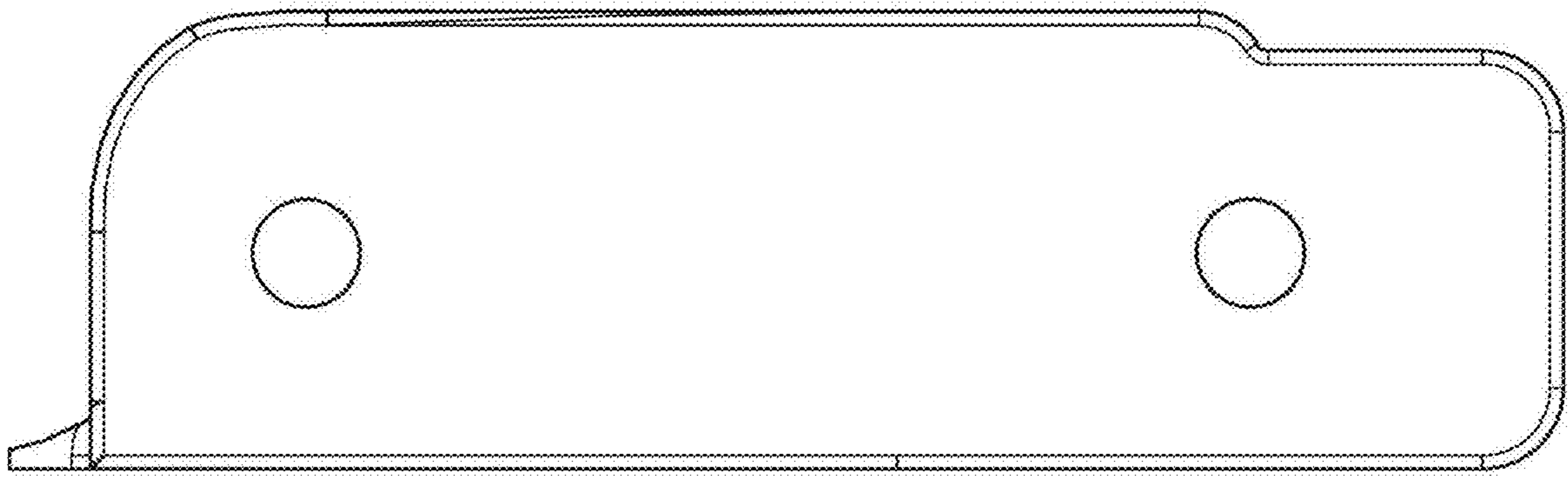


FIG. 21

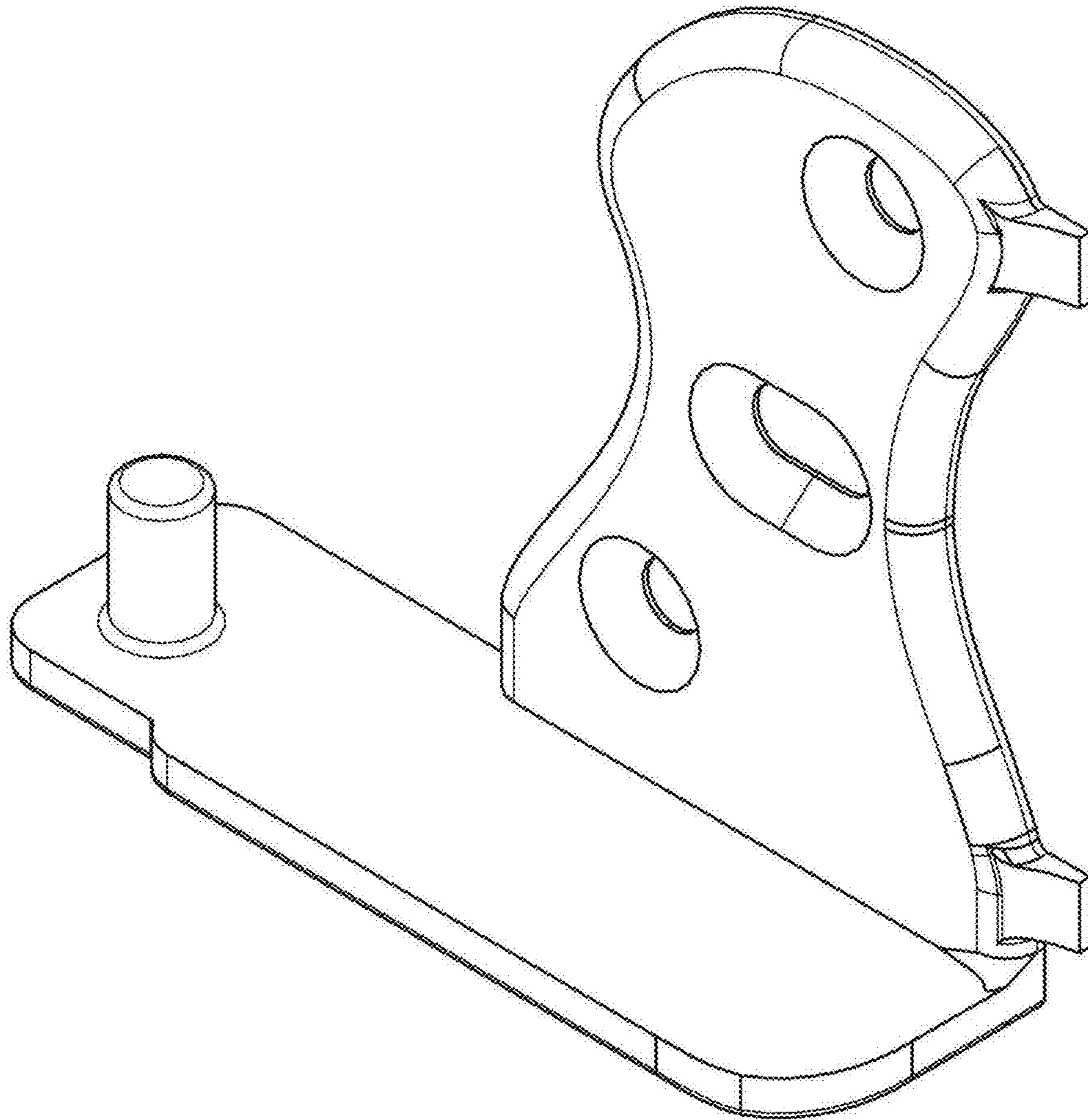


FIG. 22

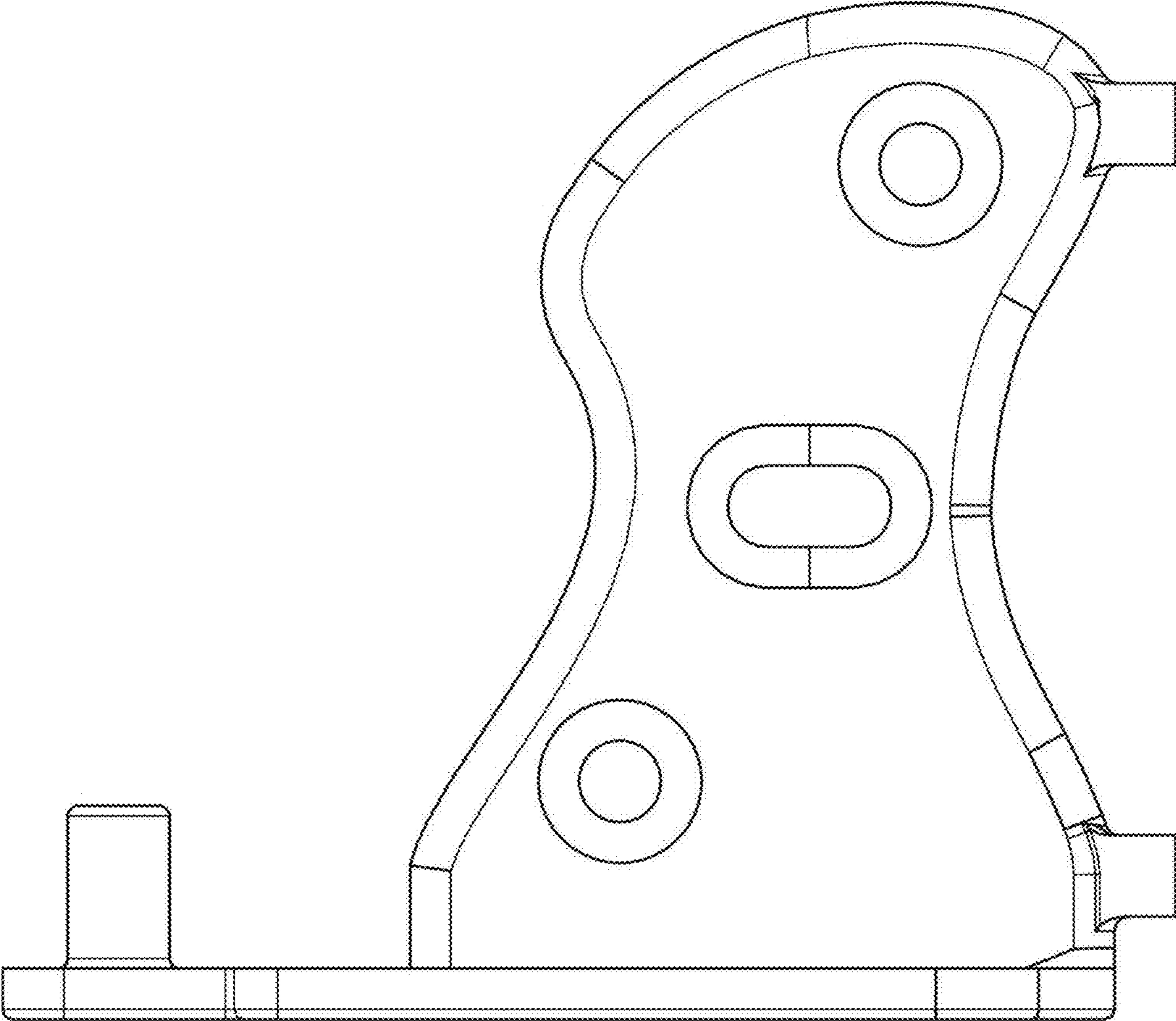


FIG. 23

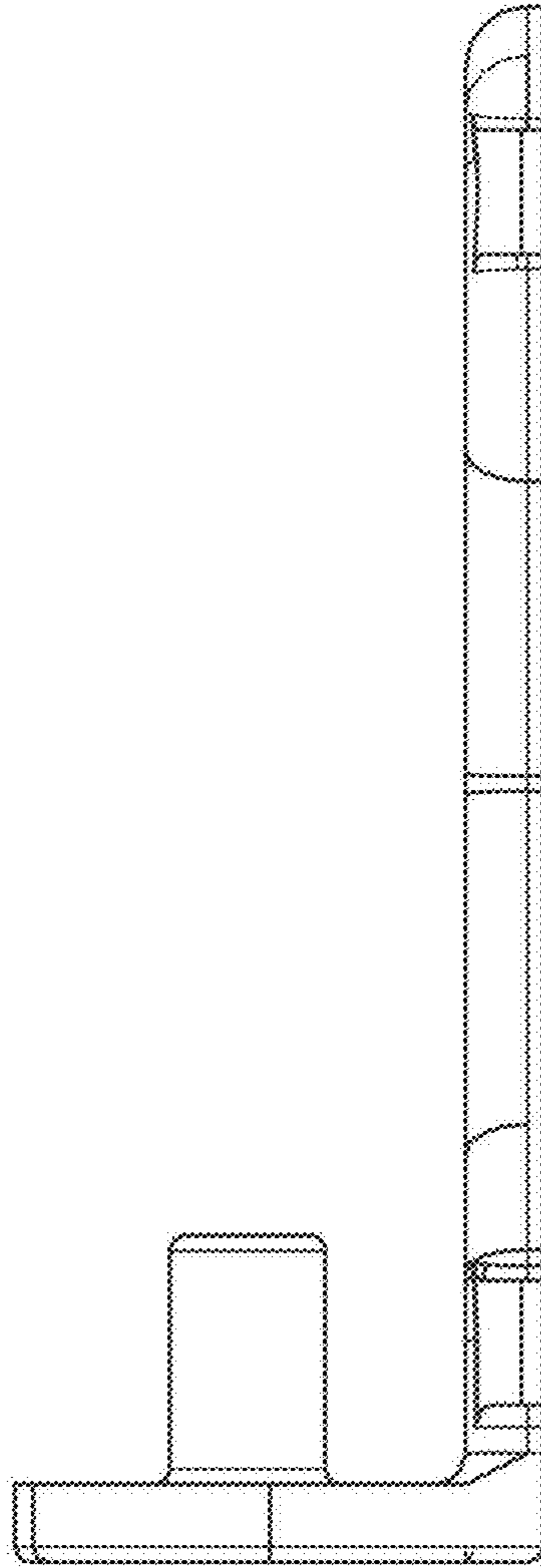


FIG. 24

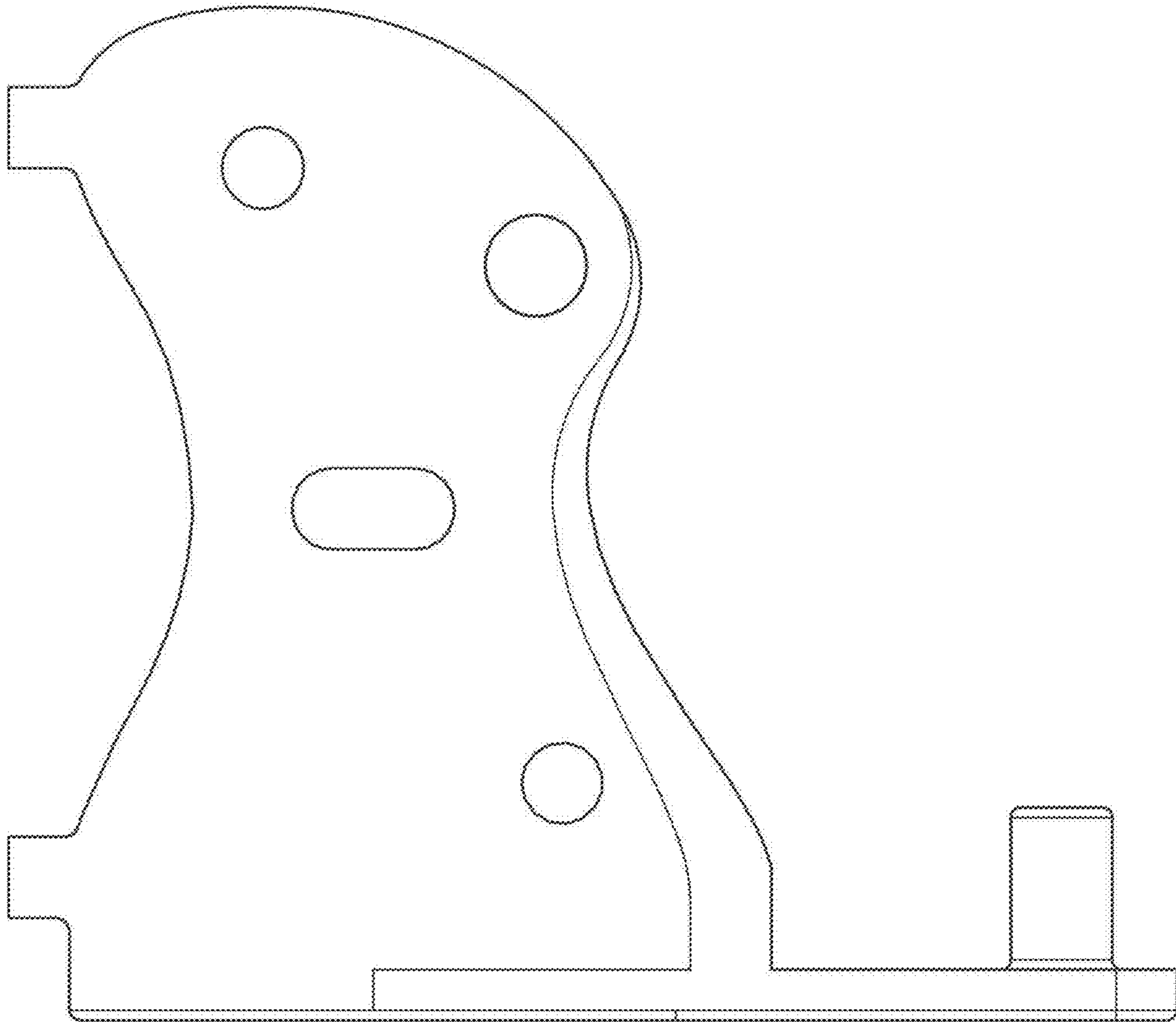


FIG. 25

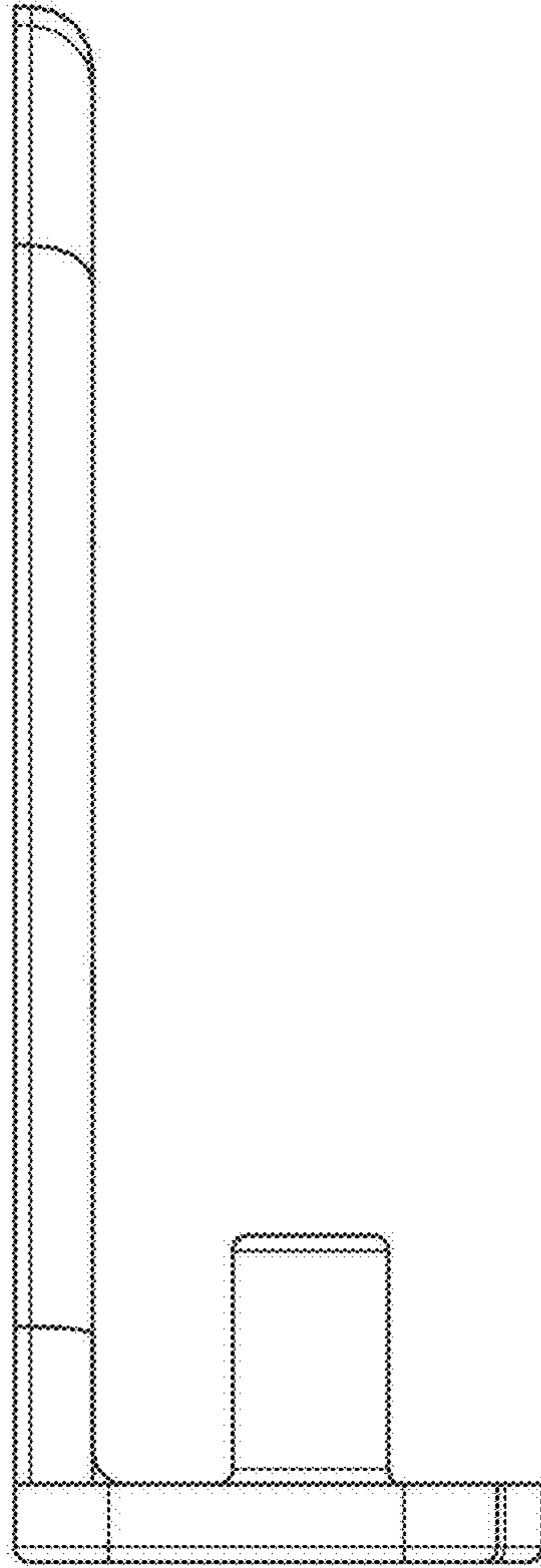


FIG. 26

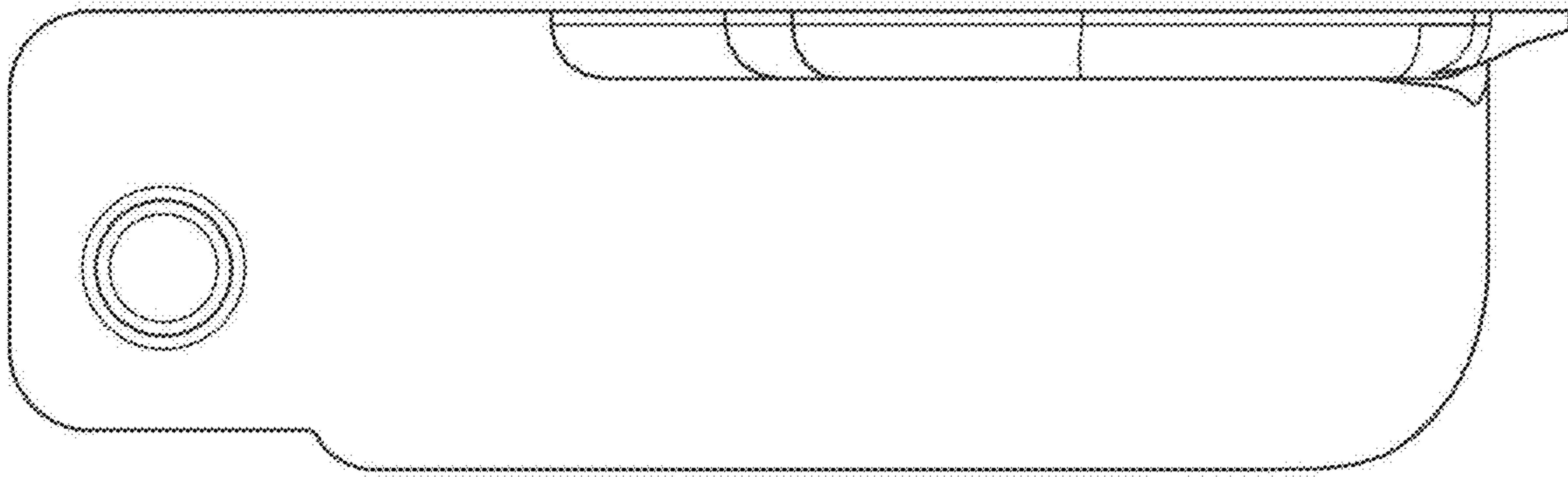


FIG. 27

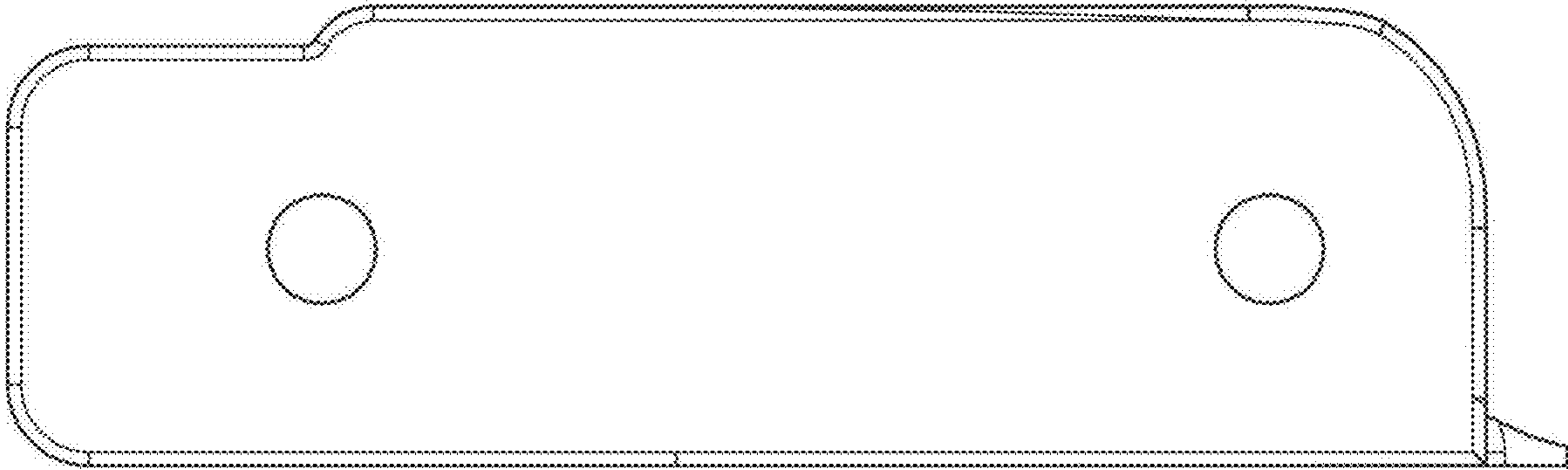


FIG. 28

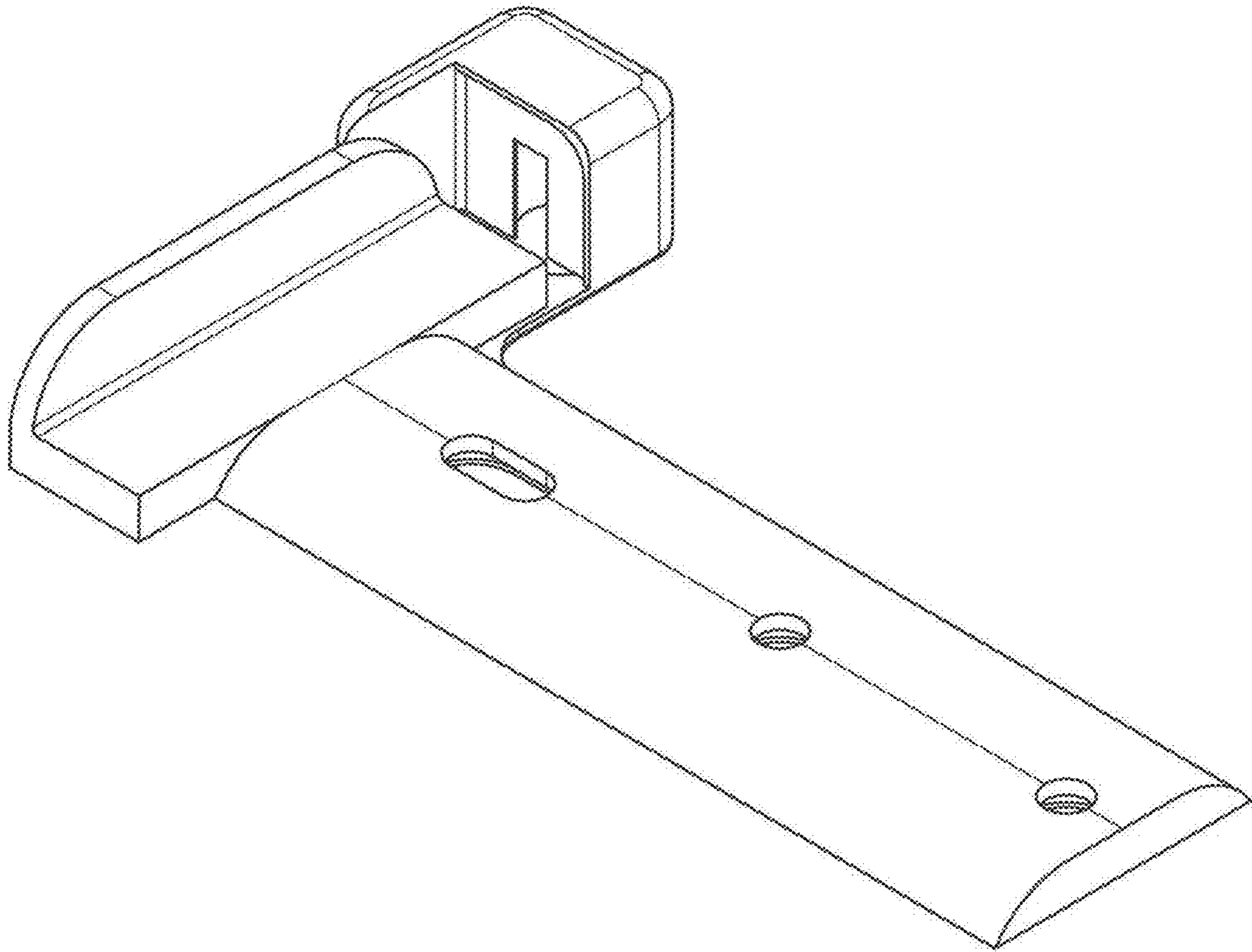


FIG. 29

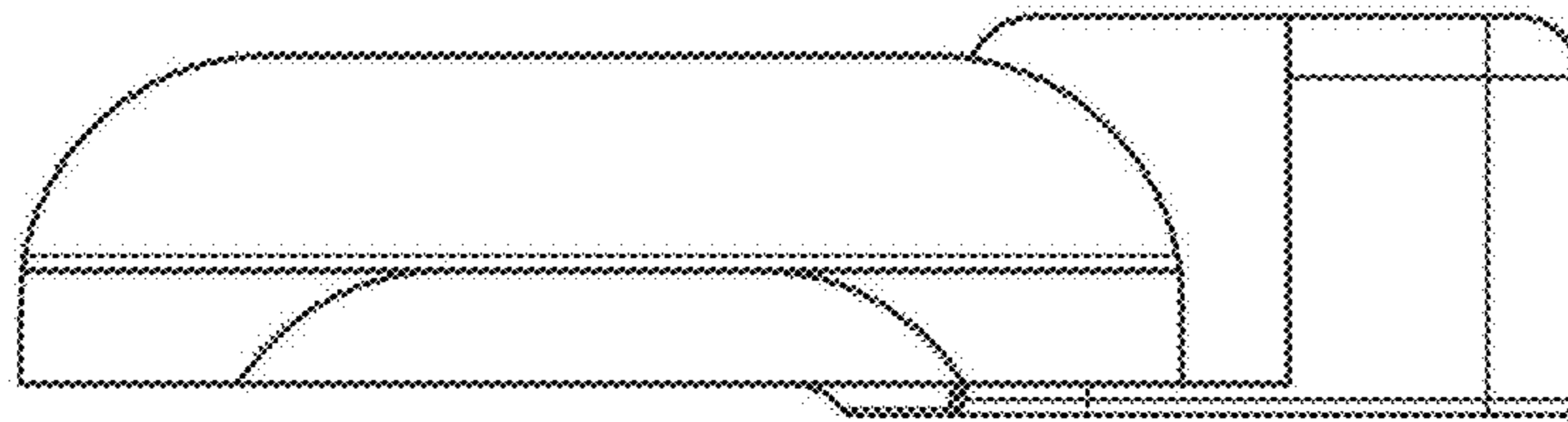


FIG. 30

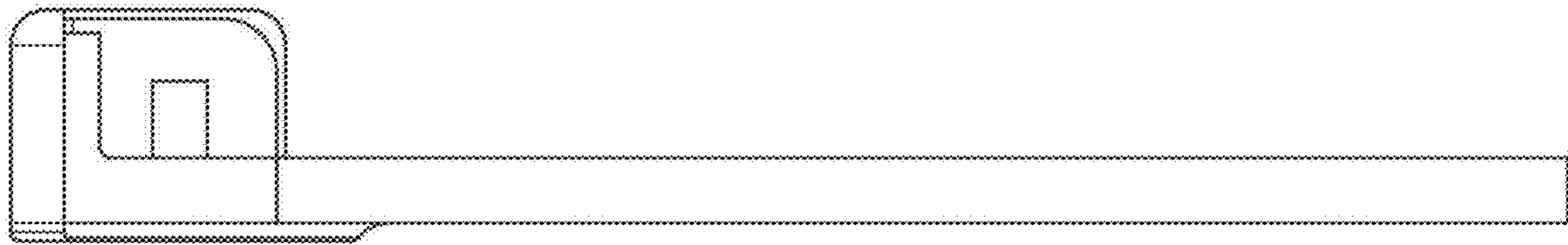


FIG. 31

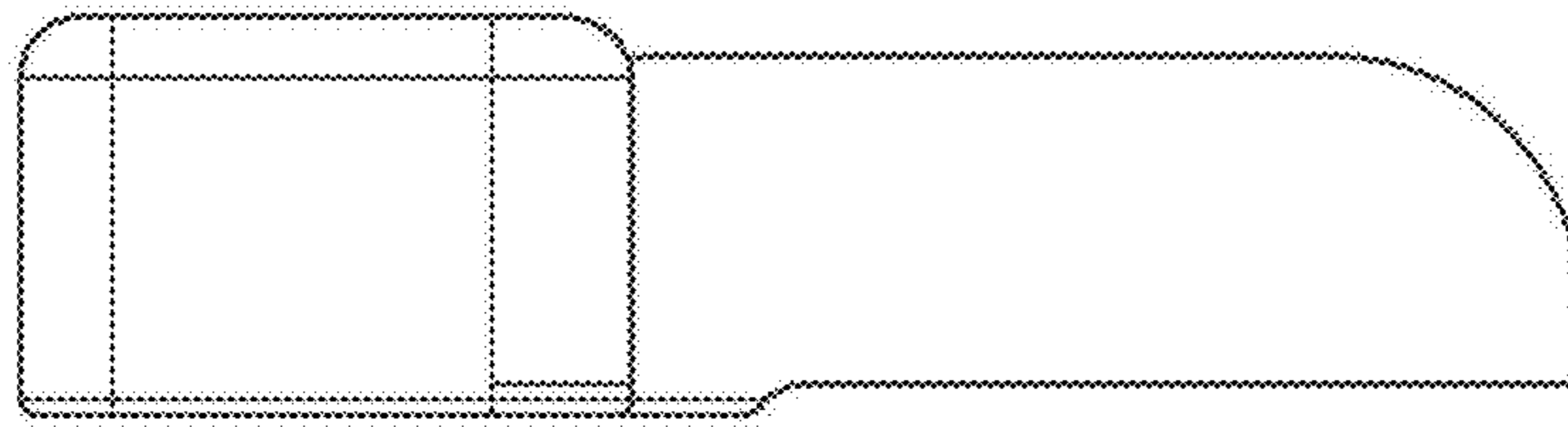


FIG. 32

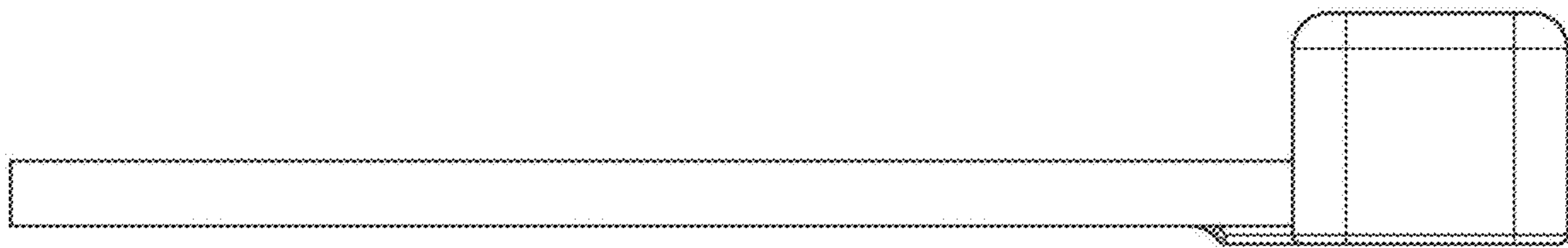


FIG. 33

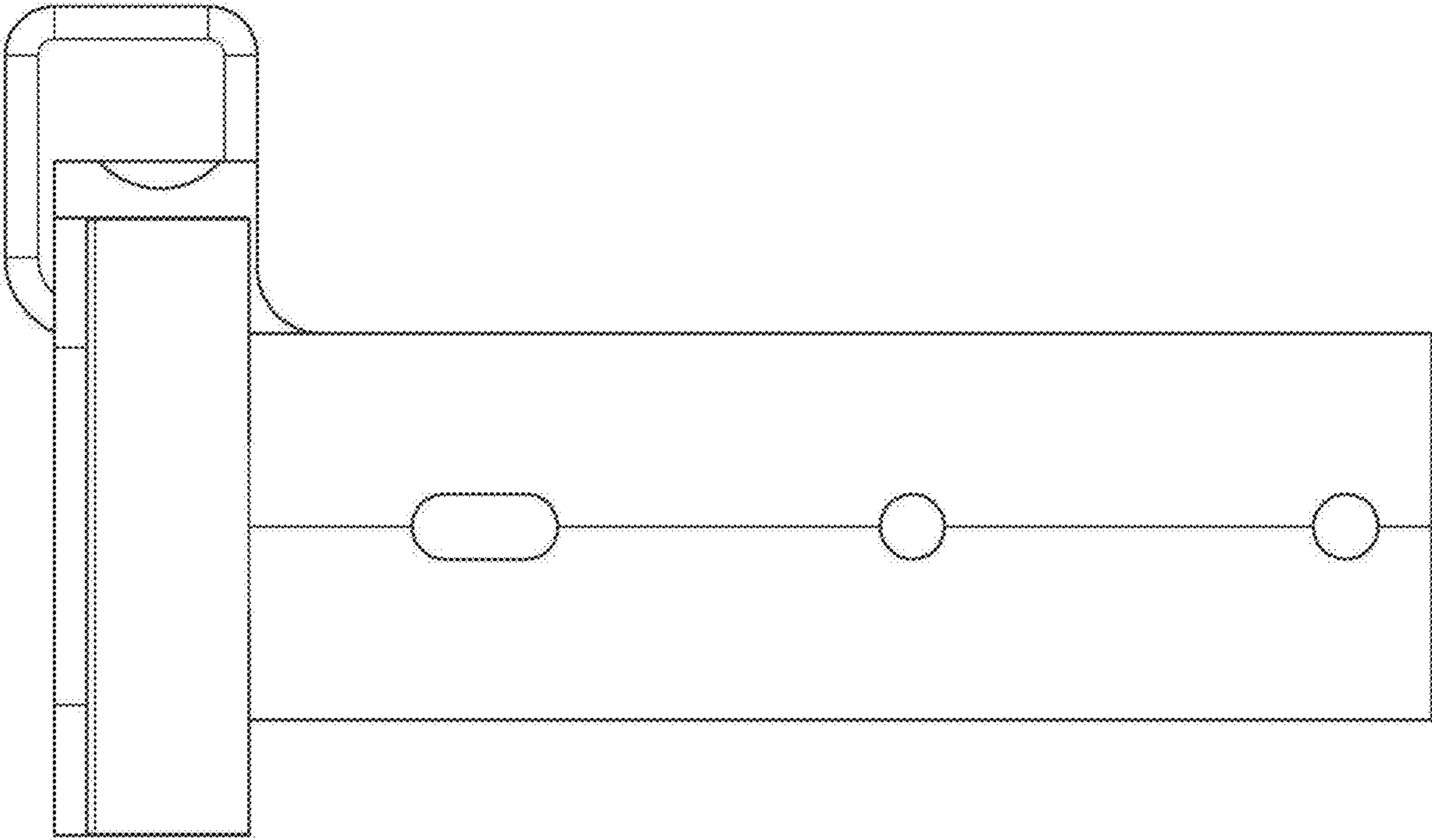


FIG. 34

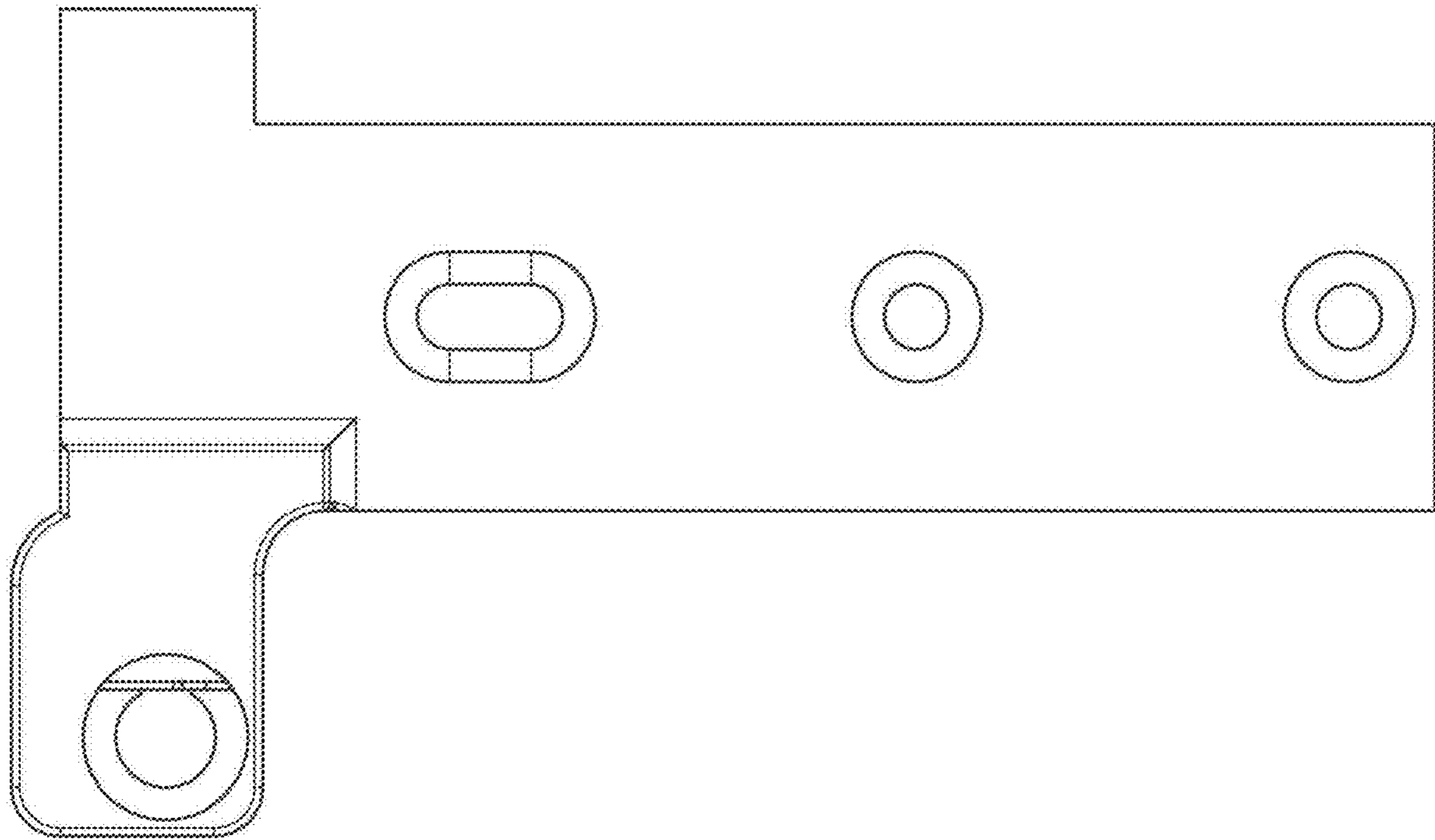


FIG. 35

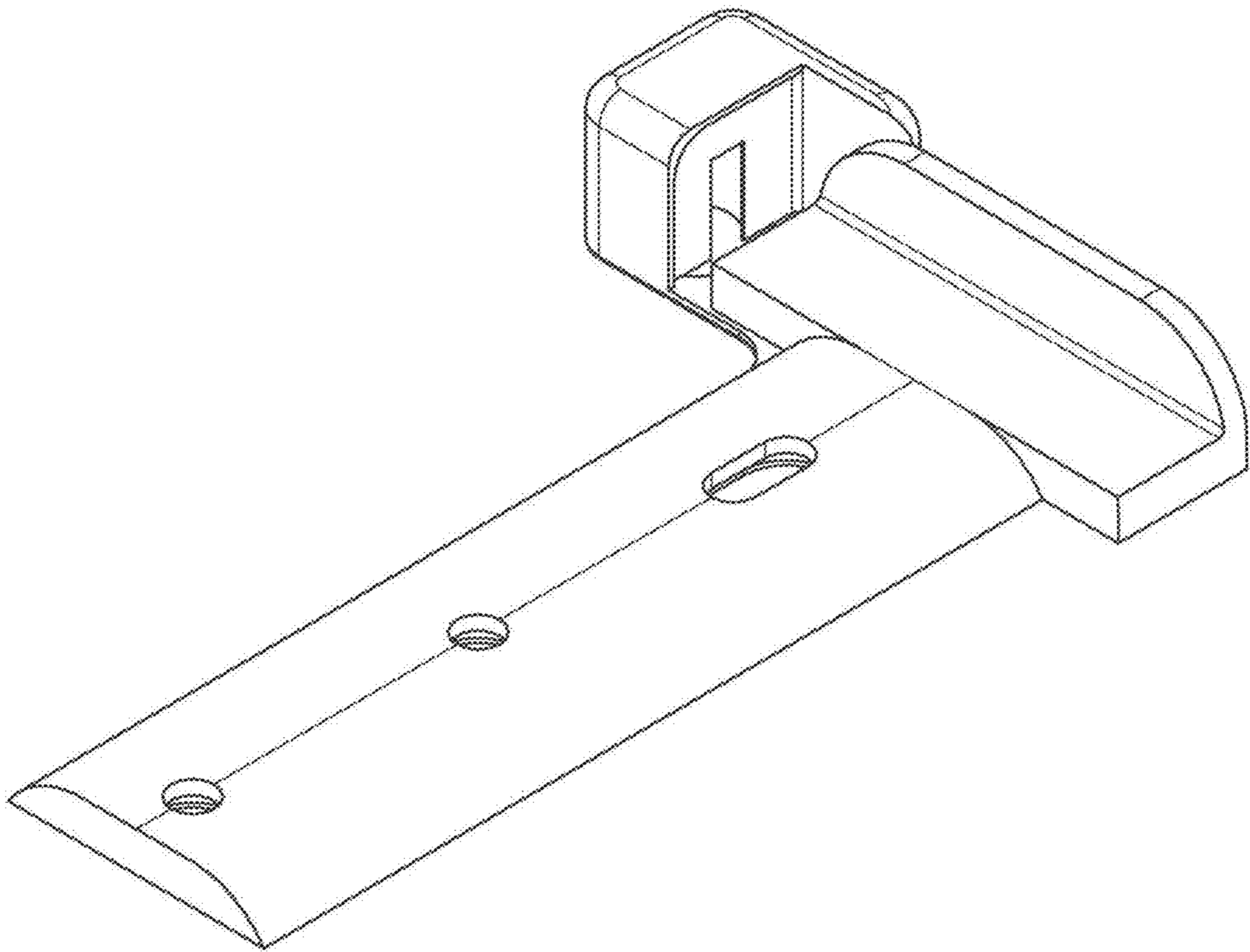


FIG. 36

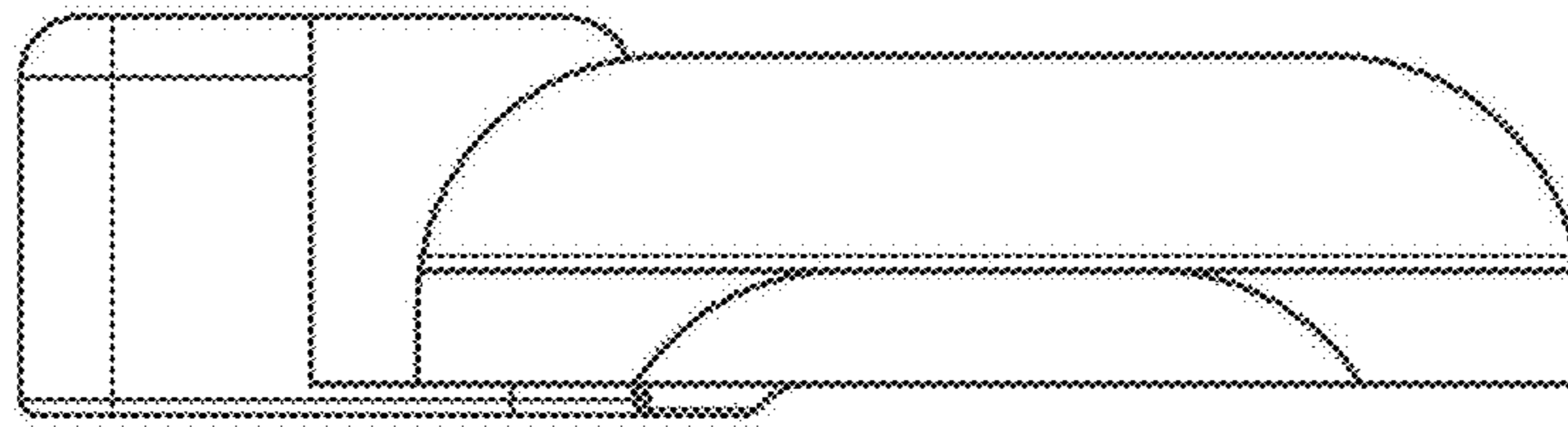


FIG. 37

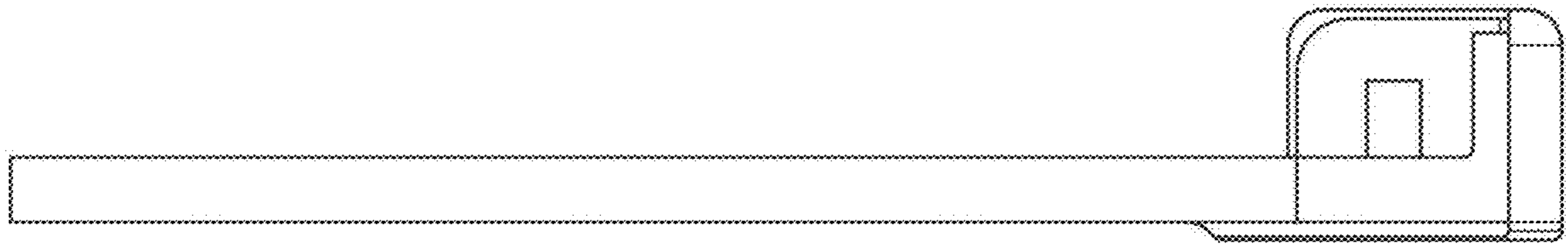


FIG. 38

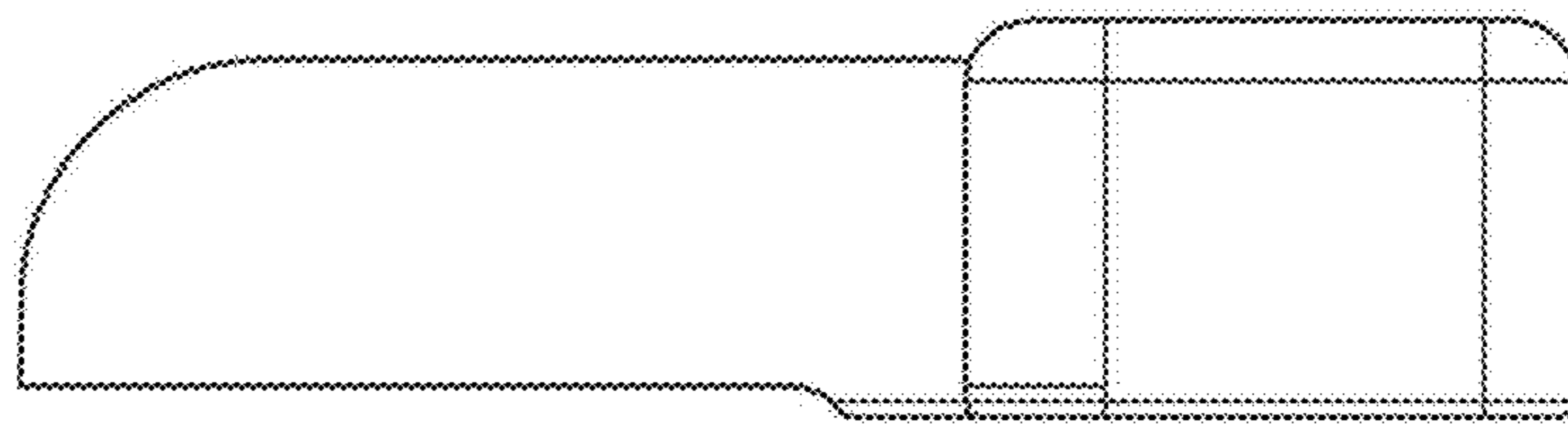


FIG. 39

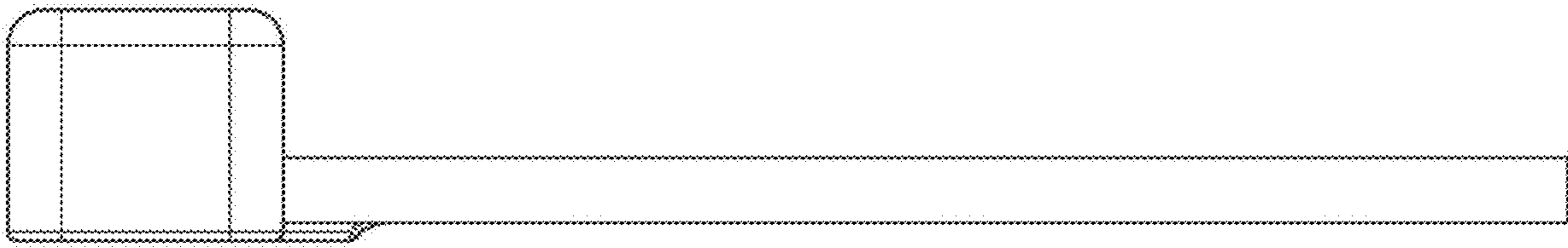


FIG. 40

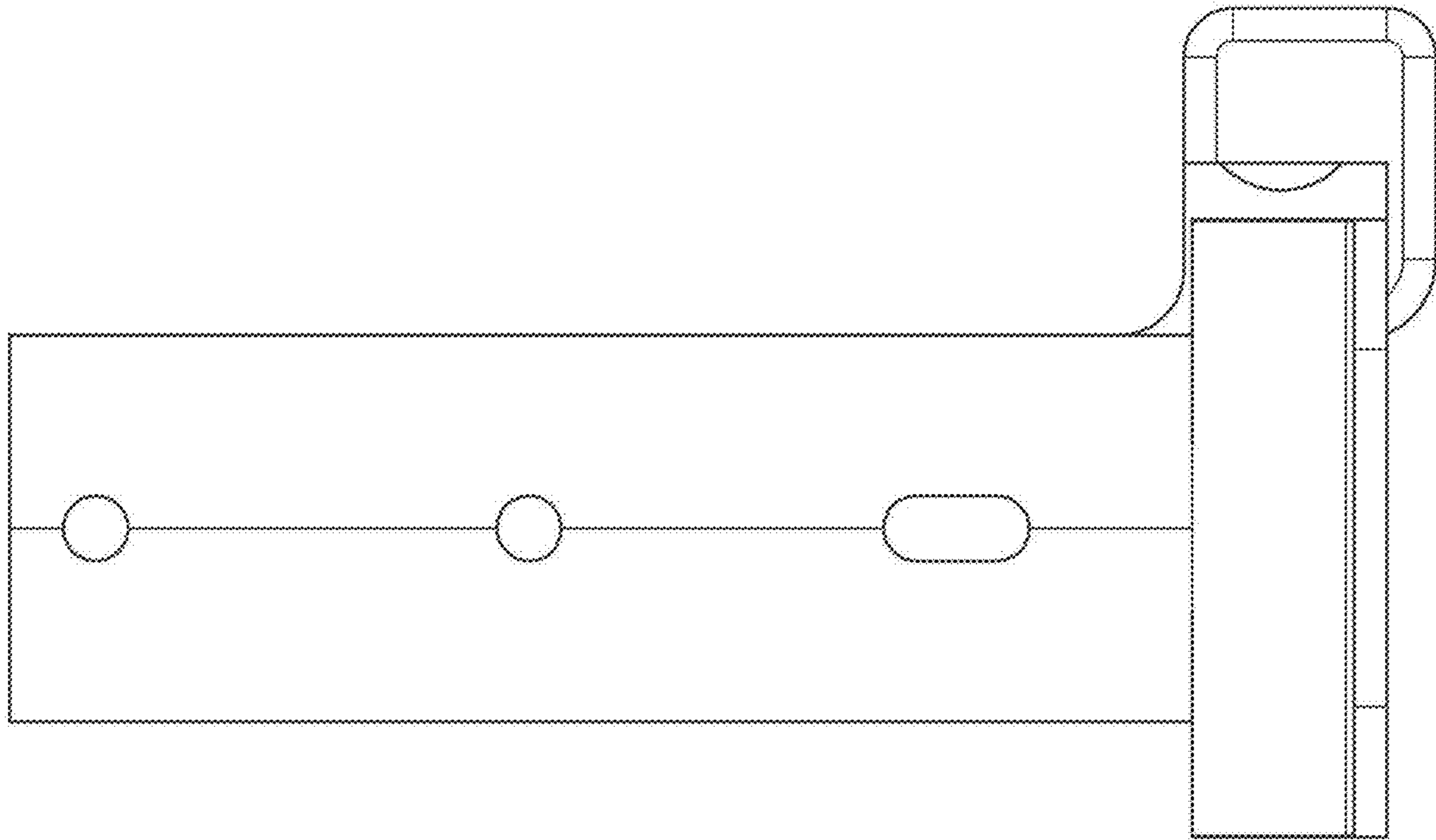


FIG. 41

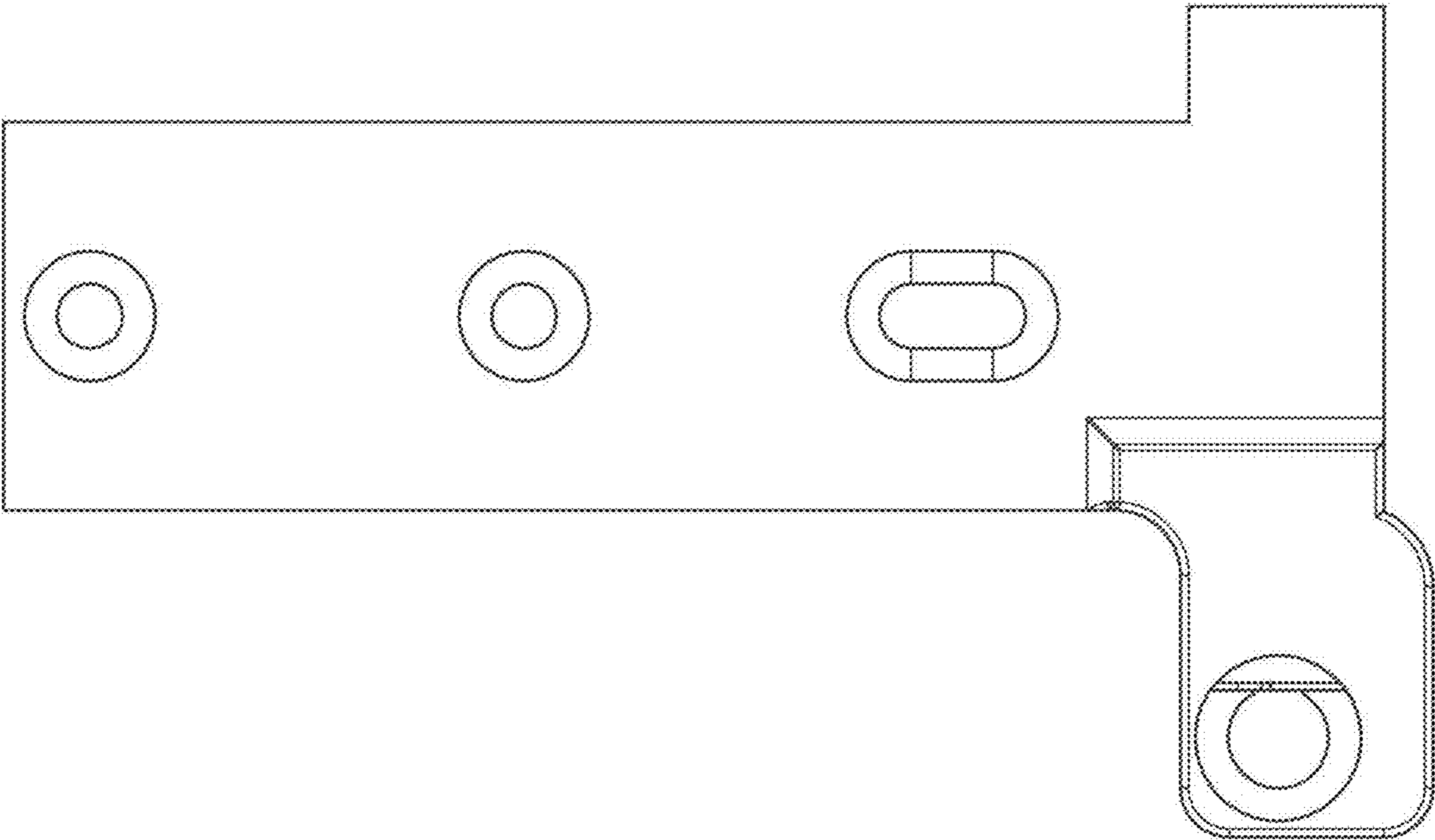


FIG. 42