



US00D935857S

(12) **United States Design Patent**
Nakamura

(10) **Patent No.:** **US D935,857 S**

(45) **Date of Patent:** **** Nov. 16, 2021**

(54) **STAPLER**

(71) Applicant: **MAX CO., LTD.**, Tokyo (JP)

(72) Inventor: **Katsuya Nakamura**, Tokyo (JP)

(73) Assignee: **MAX CO., LTD.**, Tokyo (JP)

(**) Term: **15 Years**

(21) Appl. No.: **29/734,671**

(22) Filed: **May 14, 2020**

(30) **Foreign Application Priority Data**

Nov. 15, 2019 (JP) 2019-025410

(51) **LOC (13) Cl.** **19-02**

(52) **U.S. Cl.**
USPC **D8/50**

(58) **Field of Classification Search**
USPC D8/49, 50, 61, 68, 69; D19/72, 73, 65,
D19/69; D21/532; D24/145; 7/158,
7/160; 227/4, 5, 6, 7, 8, 120, 127, 128,
227/131, 132, 134, 144, 156, 175.1;
606/139, 143, 153, 219
CPC B25C 5/0228; B25C 5/15
See application file for complete search history.

(56) **References Cited**

U.S. PATENT DOCUMENTS

D445,323 S * 7/2001 Arns D8/49
D471,413 S * 3/2003 Fukuda D19/72

D503,321 S * 3/2005 Harris D19/72
D512,616 S * 12/2005 Harris D19/72
D512,890 S * 12/2005 Harris D19/72
D516,888 S * 3/2006 Harris D19/72
D519,345 S * 4/2006 Kameda D8/49
D522,825 S * 6/2006 Adams D8/49
D535,168 S * 1/2007 Hattori D8/50
D576,004 S * 9/2008 Cunningham D8/49
D578,850 S * 10/2008 Cunningham D8/49
D913,065 S * 3/2021 Chan D8/50

* cited by examiner

Primary Examiner — Austin Murphy

(74) *Attorney, Agent, or Firm* — Rothwell, Figg, Ernst & Manbeck, P.C.

(57) **CLAIM**

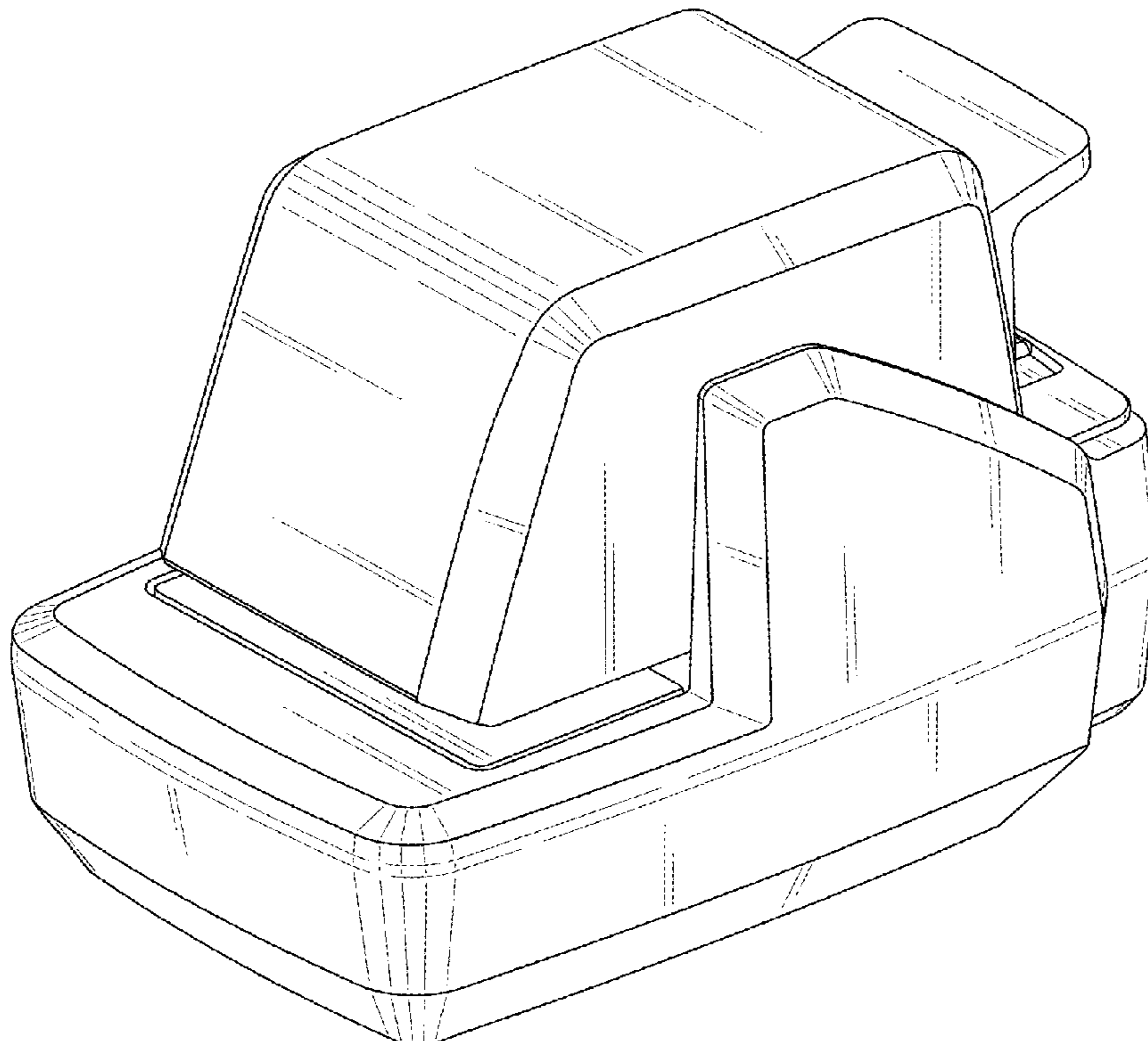
The ornamental design for a stapler, as shown and described.

DESCRIPTION

FIG. 1 is a perspective view of the front, top and left side of a stapler showing my new design;
FIG. 2 is a perspective view of the front, top and right side thereof;
FIG. 3 is a front view thereof;
FIG. 4 is a rear view thereof;
FIG. 5 is a left side view thereof;
FIG. 6 is a right side view thereof;
FIG. 7 is a top view thereof; and,
FIG. 8 is a bottom view thereof.

The broken line showing of the stapler is included for the purpose of illustrating portions of the stapler and forms no part of the claimed design.

1 Claim, 7 Drawing Sheets



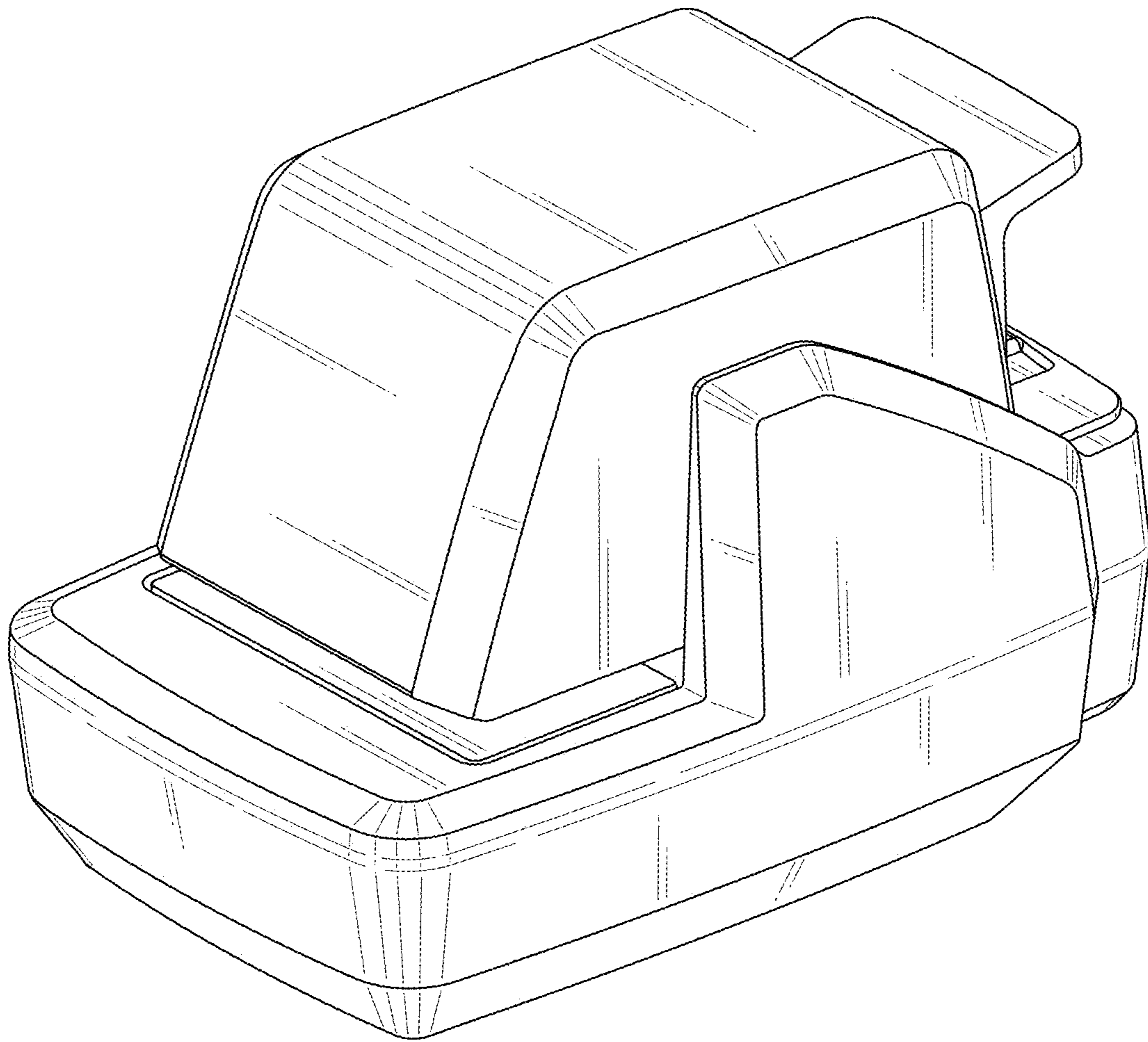


FIG. 1

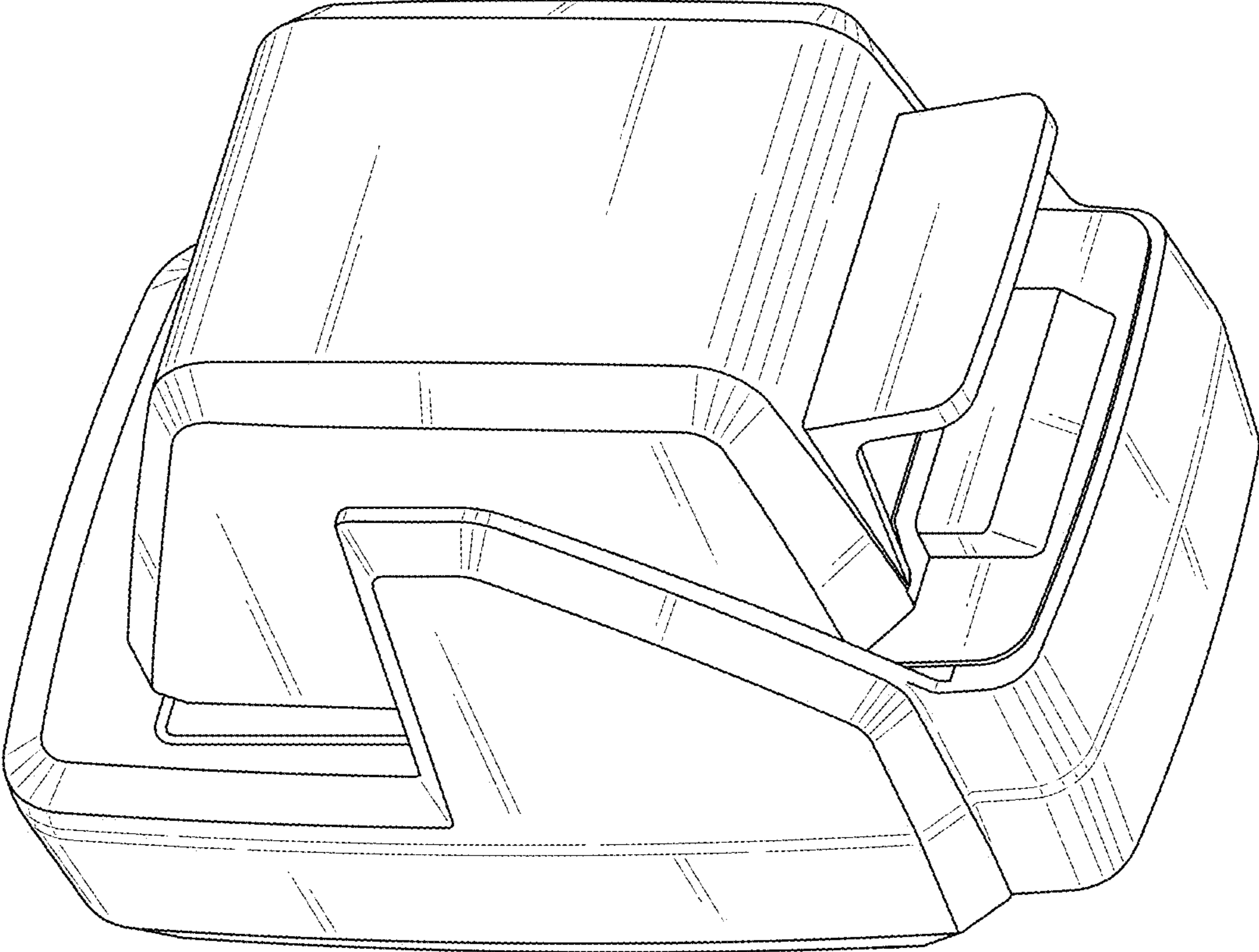


FIG. 2

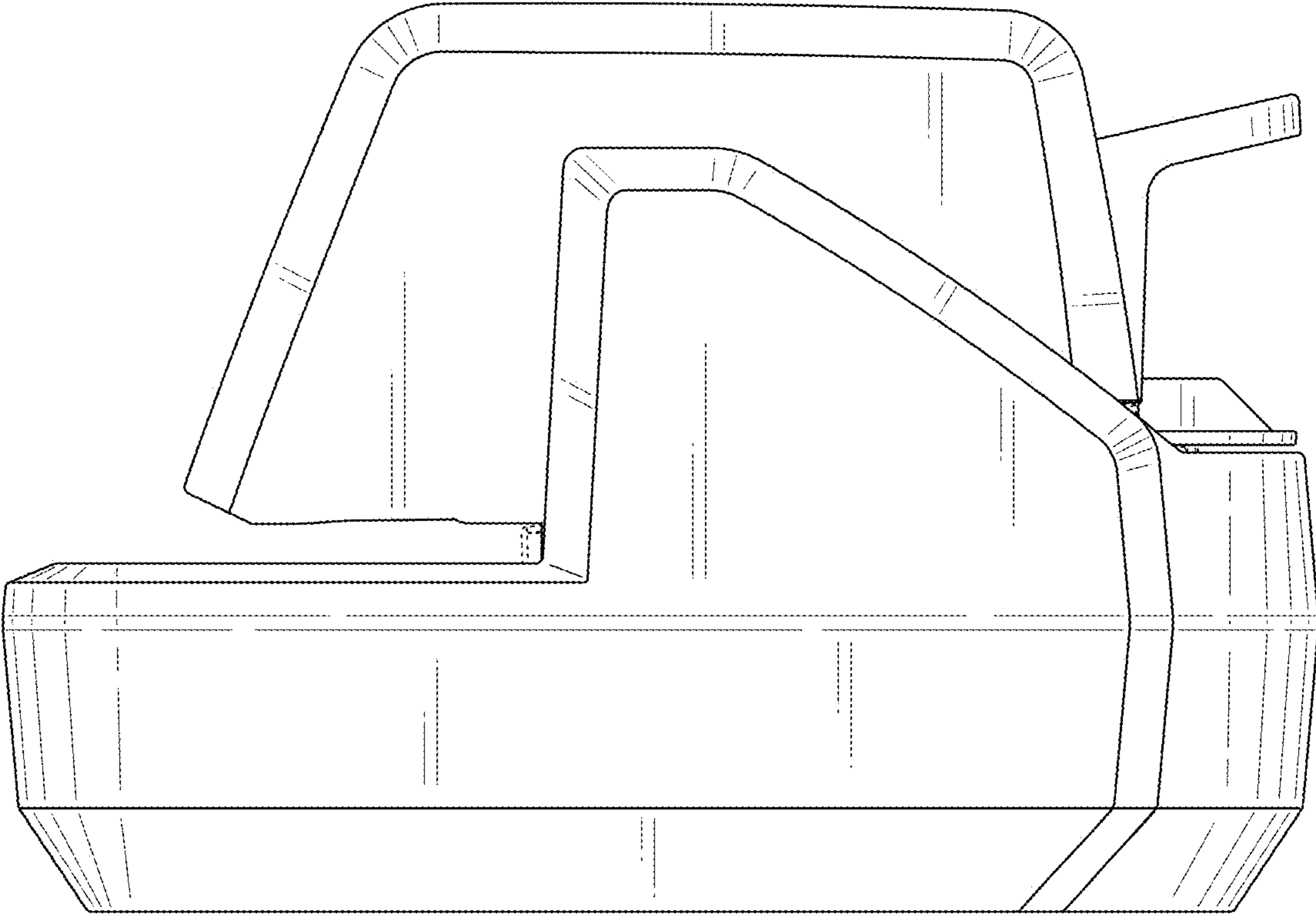


FIG. 3

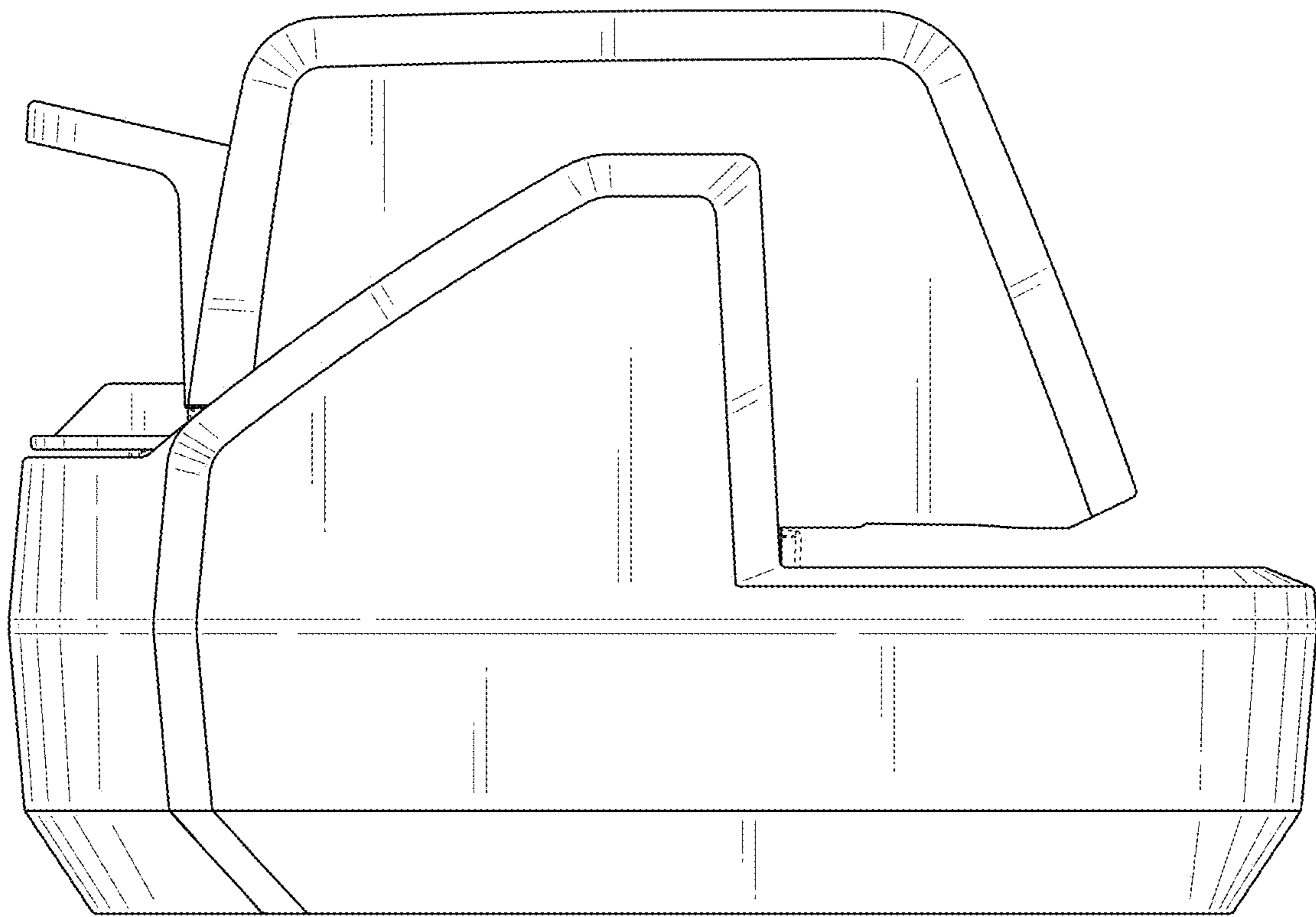


FIG. 4

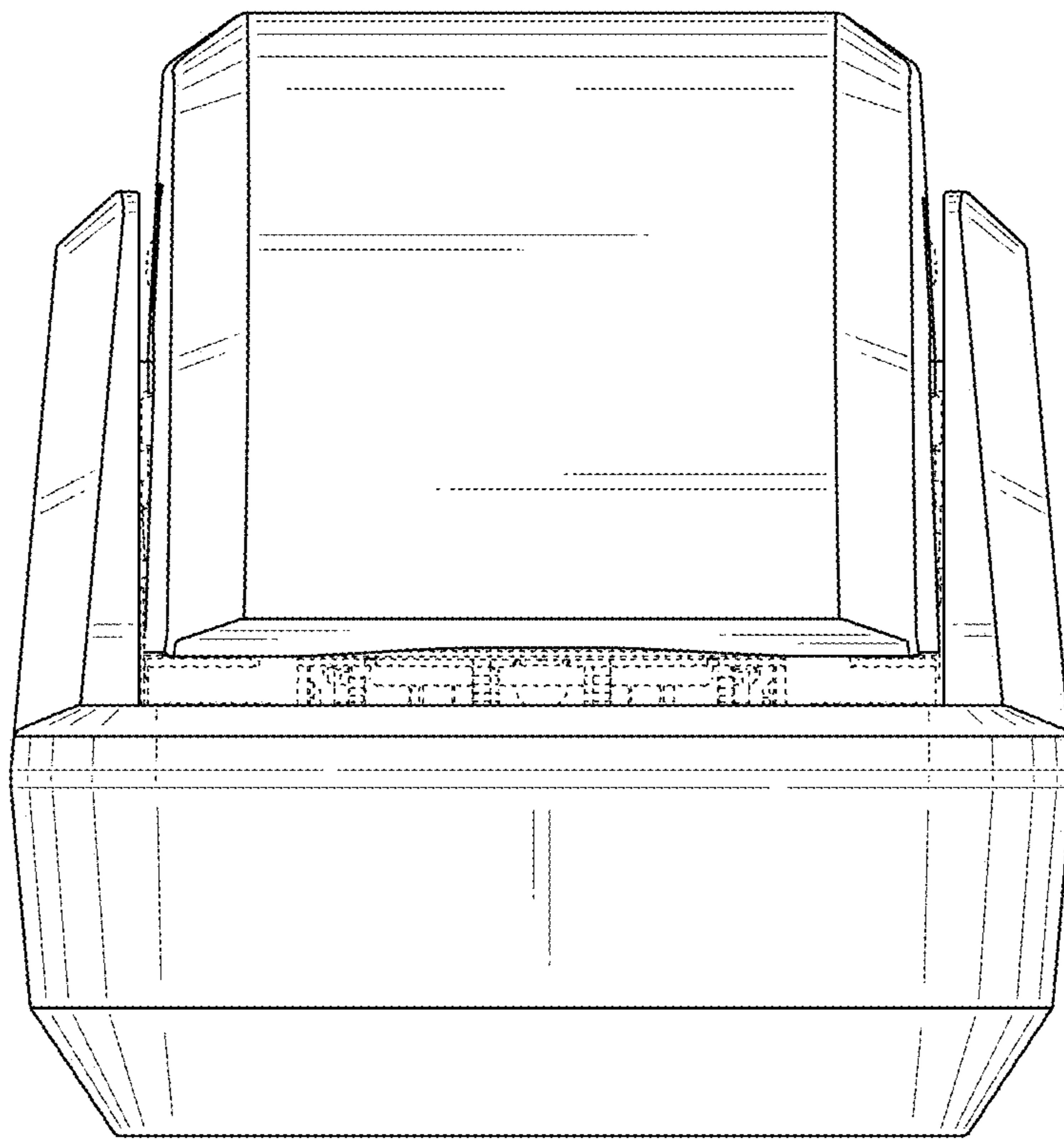


FIG. 5

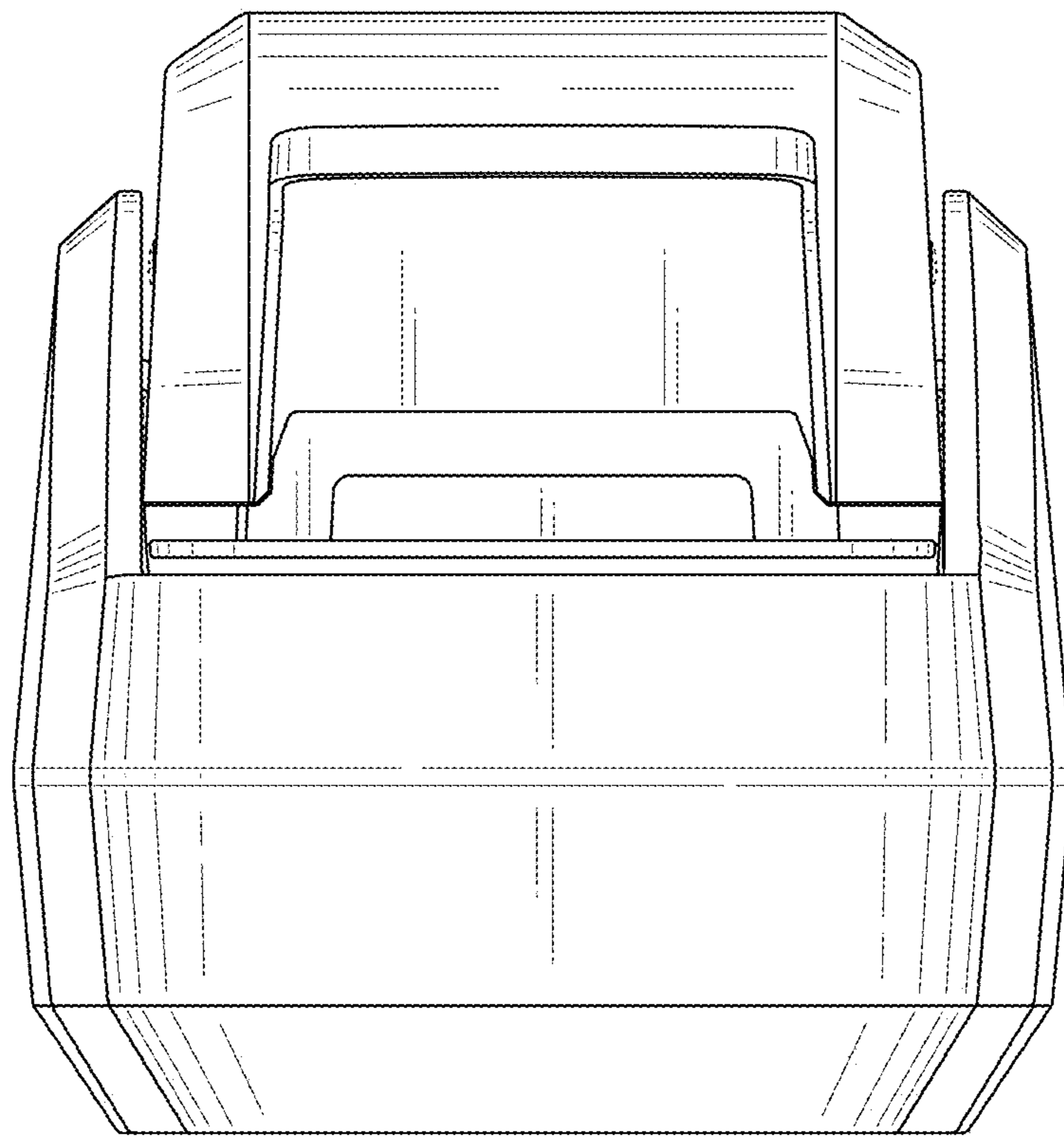


FIG. 6

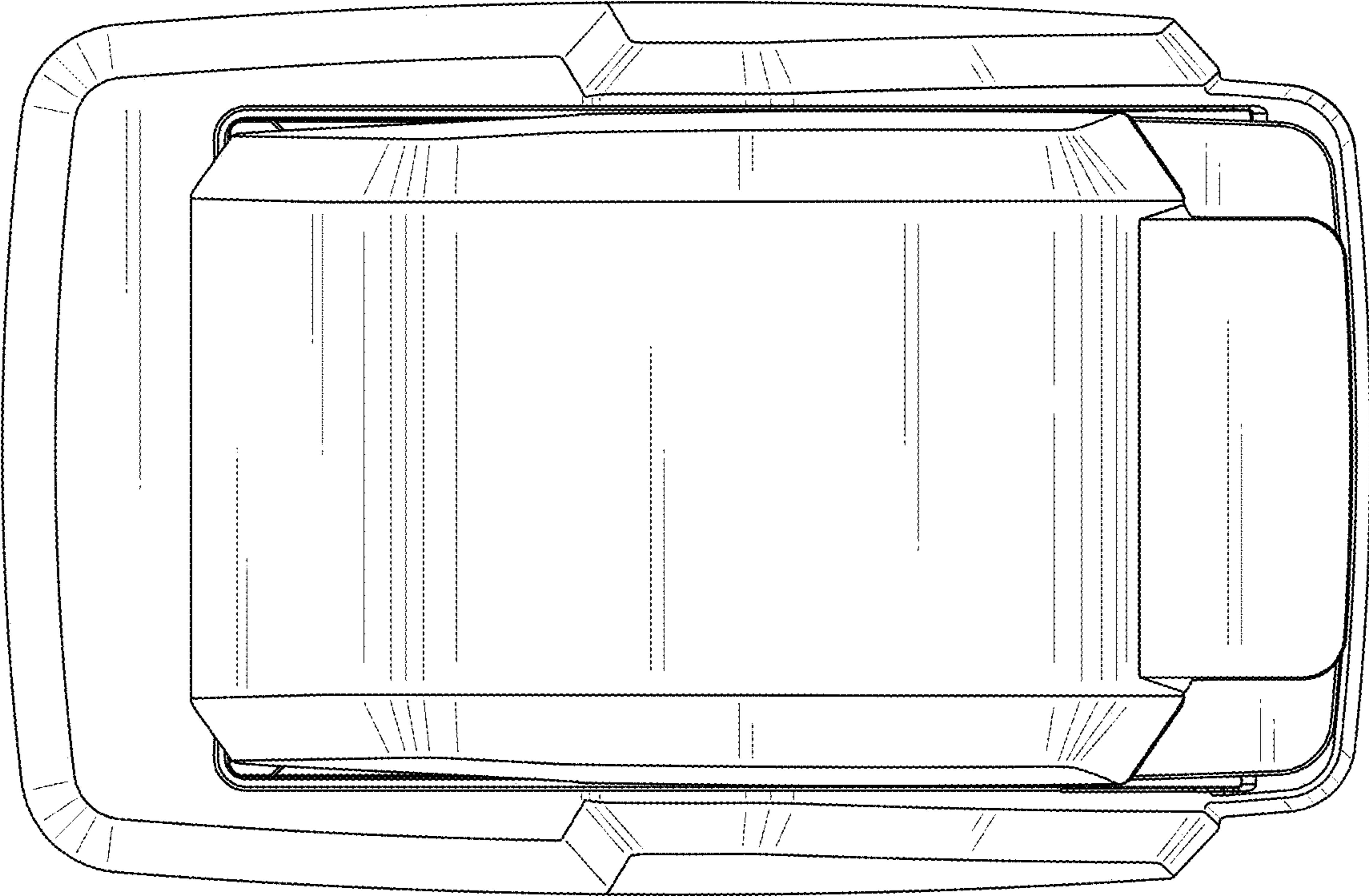


FIG. 7

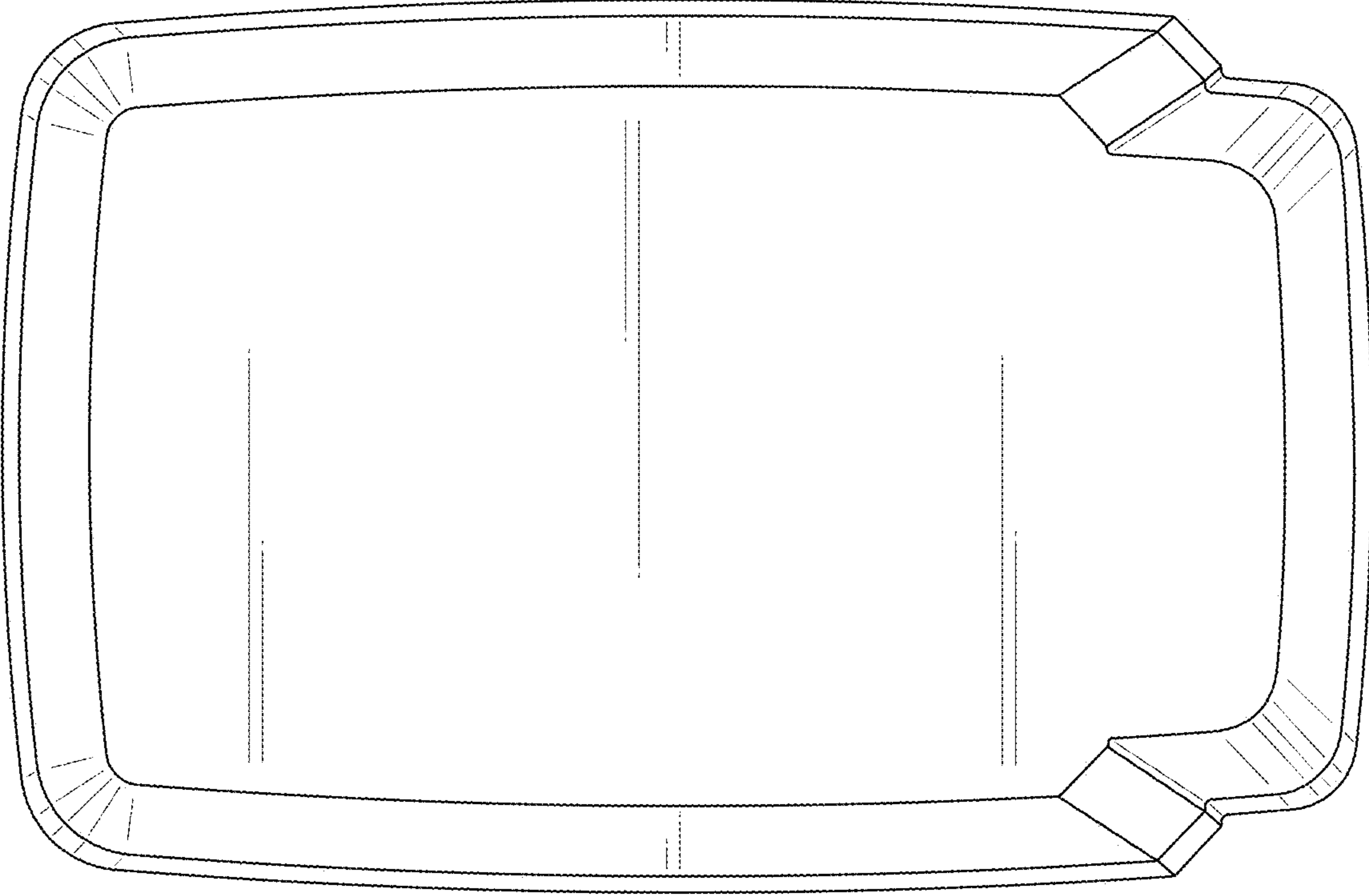


FIG. 8