



US00D935856S

(12) **United States Design Patent** (10) **Patent No.:** **US D935,856 S**
Li (45) **Date of Patent:** **** Nov. 16, 2021**

(54) **WRENCH**

(71) Applicant: **Yi-Cheng Li**, Taichung (TW)

(72) Inventor: **Yi-Cheng Li**, Taichung (TW)

(**) Term: **15 Years**

(21) Appl. No.: **29/710,734**

(22) Filed: **Oct. 25, 2019**

(51) **LOC (13) Cl.** **08-05**

(52) **U.S. Cl.**
USPC **D8/25; D8/21**

(58) **Field of Classification Search**
USPC D8/14-40, 51-56; 81/125.1, 177.1, 119,
81/124.7, 124.3, 186, 431, 176.15, 461.1,
81/99, 98, 100; 30/193, 252, 254
CPC B25B 13/14; B25B 13/06; B25B 13/04;
B25B 13/46; B25B 13/00; B25B 7/02;
B25B 13/48; B25B 13/16; B25B 13/505;
B25B 13/5058; B25B 23/0007; B25B
13/28; B25B 7/00; B25B 7/18; B25B
23/0035; B25B 13/08; B25B 13/02; B25B
13/50; B25B 7/10; B25B 7/14; B25B
5/147; B25B 5/085; B25B 27/00; B25B
23/142; B25B 23/16; B25B 13/462; B25B
13/065; B25B 23/00

See application file for complete search history.

(56) **References Cited**

U.S. PATENT DOCUMENTS

2,666,201 A * 1/1954 Van Orden B25C 3/006
227/147
3,165,014 A * 1/1965 Grabovac B25B 23/1427
81/483

(Continued)

FOREIGN PATENT DOCUMENTS

CN 3662065 * 12/2005
CN 302617600 * 6/2013

(Continued)

OTHER PUBLICATIONS

Olsa Tool Store, Tools Extendable Breaker, Bar, 1/2-Inch Drive, 16"-24" Length, Date first available Sep. 13, 2019, [online] retrieved Dec. 17, 2020, available from internet, https://www.amazon.com/Olsa-Tools-Extendable-Breaker-2-Inch/dp/B07XVS3PMN/ref=sr_1_17?dchild=1&keywords (Year: 2019).*

(Continued)

Primary Examiner — Keli L Hill

Assistant Examiner — Sara S Sahneh

(57) **CLAIM**

The ornamental design for a wrench, as shown and described.

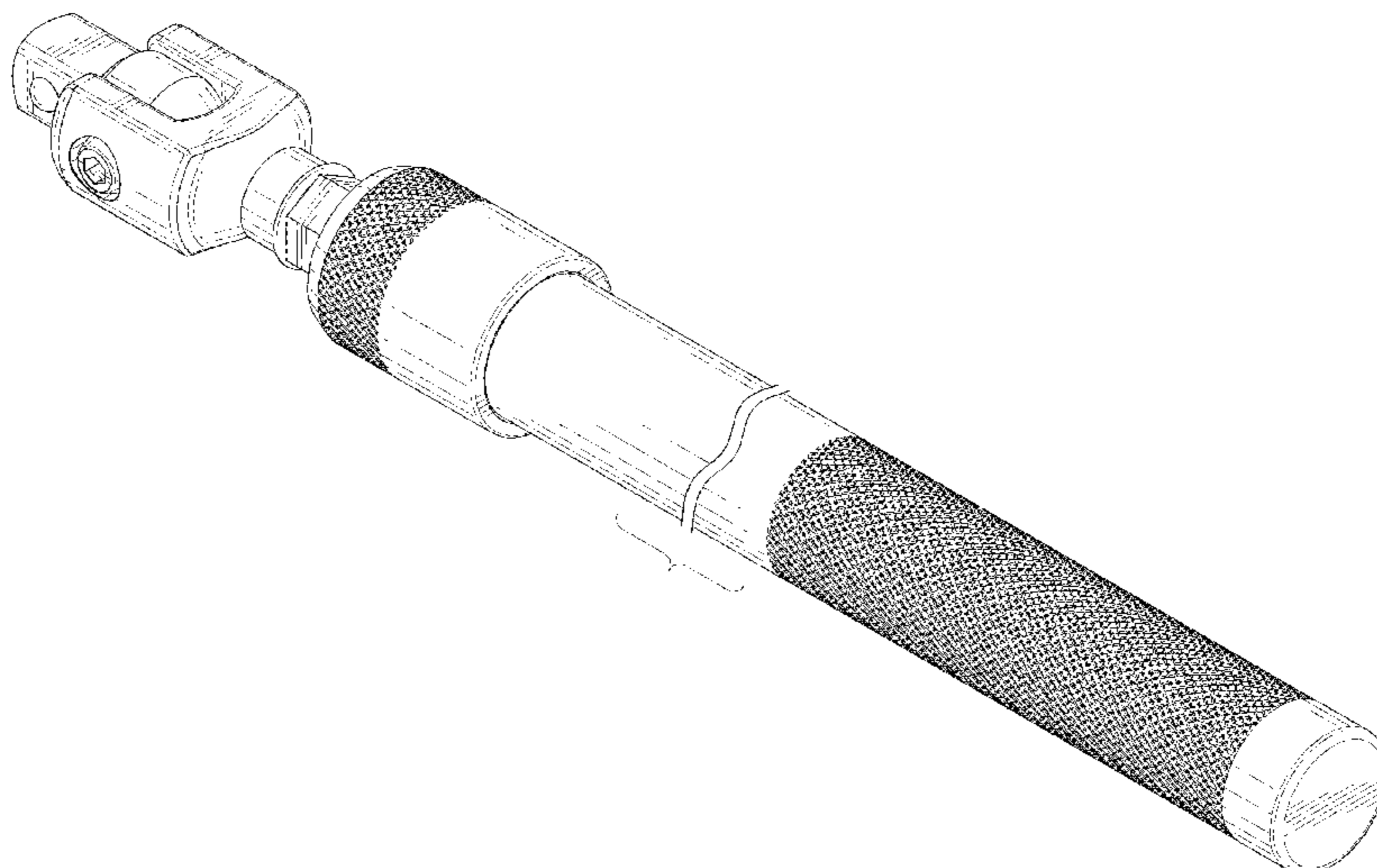
DESCRIPTION

FIG. 1 is a perspective view of my design of a wrench; FIG. 2 is a front elevational view thereof; FIG. 3 is a rear elevational view thereof; FIG. 4 is a left side elevational view thereof; FIG. 5 is a right side elevational view thereof; FIG. 6 is a top plan view thereof; FIG. 7 is a bottom plan view thereof; FIG. 8 is an enlarged left side elevational view thereof; FIG. 9 is an enlarged right side elevational view thereof; and, FIG. 10 is a top plan view thereof, shown in an alternate extended configuration.

The wrench is shown with symbolic breaks in its handle in the FIGS. 1-3, 6, 7 and 10 drawing views. It is understood that patentability is based only on those portions of the article that are shown in solid lines, and the appearance of any portion of the article between the break lines forms no part of the claimed design.

The broken lines depict portions of a wrench in which the design is embodied that form no part of the claimed design.

1 Claim, 10 Drawing Sheets



(56)

References Cited

U.S. PATENT DOCUMENTS

5,109,737 A * 5/1992 Raber B25G 1/043
81/177.1
D359,429 S * 6/1995 Williamson D8/25
6,339,979 B1 * 1/2002 Chiang B25G 1/043
16/429
6,408,721 B1 * 6/2002 Lee B25B 13/461
81/177.2
7,677,140 B2 * 3/2010 Hull B25B 13/461
81/177.2
D632,533 S * 2/2011 Cappuccio D8/25
D675,894 S * 2/2013 Chen D8/25
D760,044 S * 6/2016 Yang D8/21
D801,140 S * 10/2017 Norton D8/26
D820,056 S * 6/2018 Zhang D8/25
D873,638 S * 1/2020 Beckwith D8/24
D893,272 S * 8/2020 Su D8/25
D893,964 S * 8/2020 Su D8/22
D900,569 S * 11/2020 Imsand D8/25
D909,160 S * 2/2021 Milligan D8/25
10,974,373 B2 * 4/2021 Thompson B25B 23/0035
10,987,787 B2 * 4/2021 Miller F21V 33/0084
D923,441 S * 6/2021 Hsieh D8/21
11,027,409 B2 * 6/2021 Macor B25B 13/461
11,045,924 B2 * 6/2021 Hsieh B25B 13/462
11,052,517 B2 * 7/2021 Hsieh B25B 23/16
2021/0046625 A1 * 2/2021 Hsieh B25B 23/0028
2021/0107119 A1 * 4/2021 Chang B25B 23/0007
2021/0138618 A1 * 5/2021 Lin B25B 23/1427

FOREIGN PATENT DOCUMENTS

CN 303305219 * 12/2014
CN 304244277 * 2/2017
CN 304990617 * 12/2017
EM 005823846-0001 * 11/2018

OTHER PUBLICATIONS

NEIKO Store, 00200A ½" Drive Extension Breaker Bar | 15" Length Date first available Jul. 9, 2009, [online]retrieved Dec. 17, 2020, available from internet,

* cited by examiner

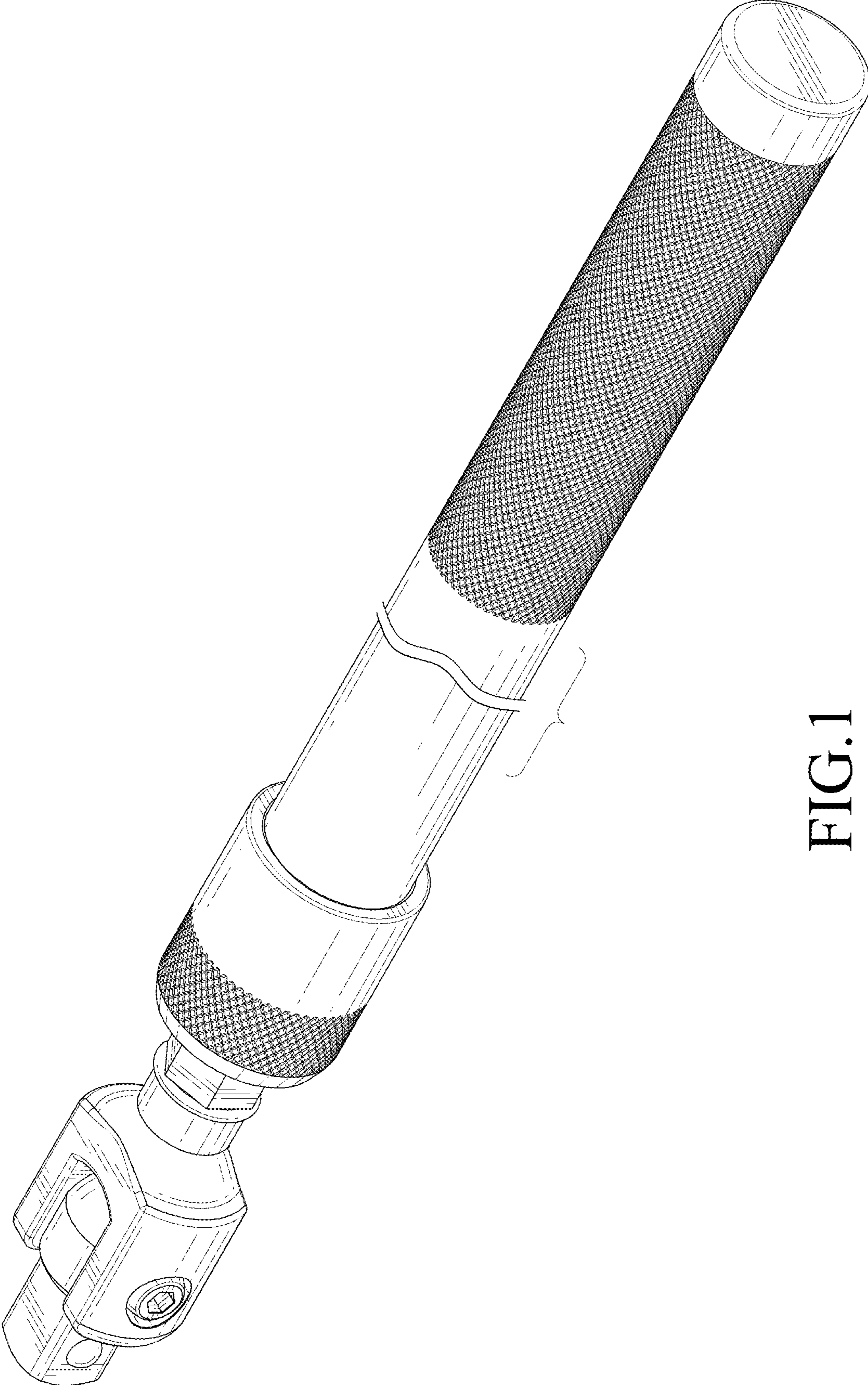


FIG.1

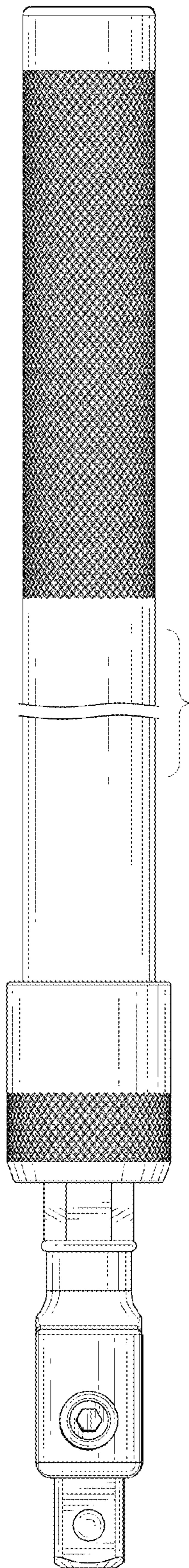


FIG.2

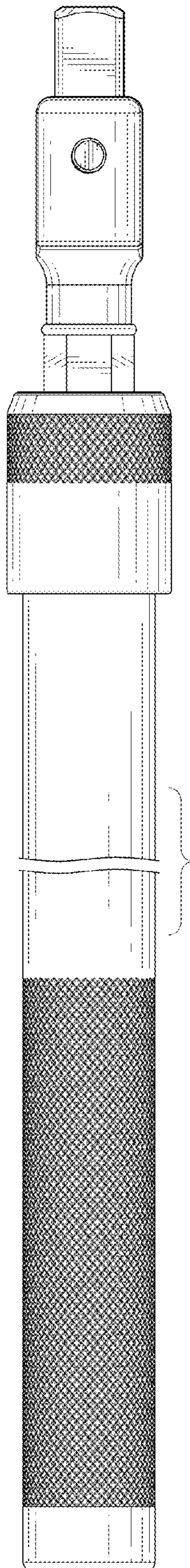


FIG.3

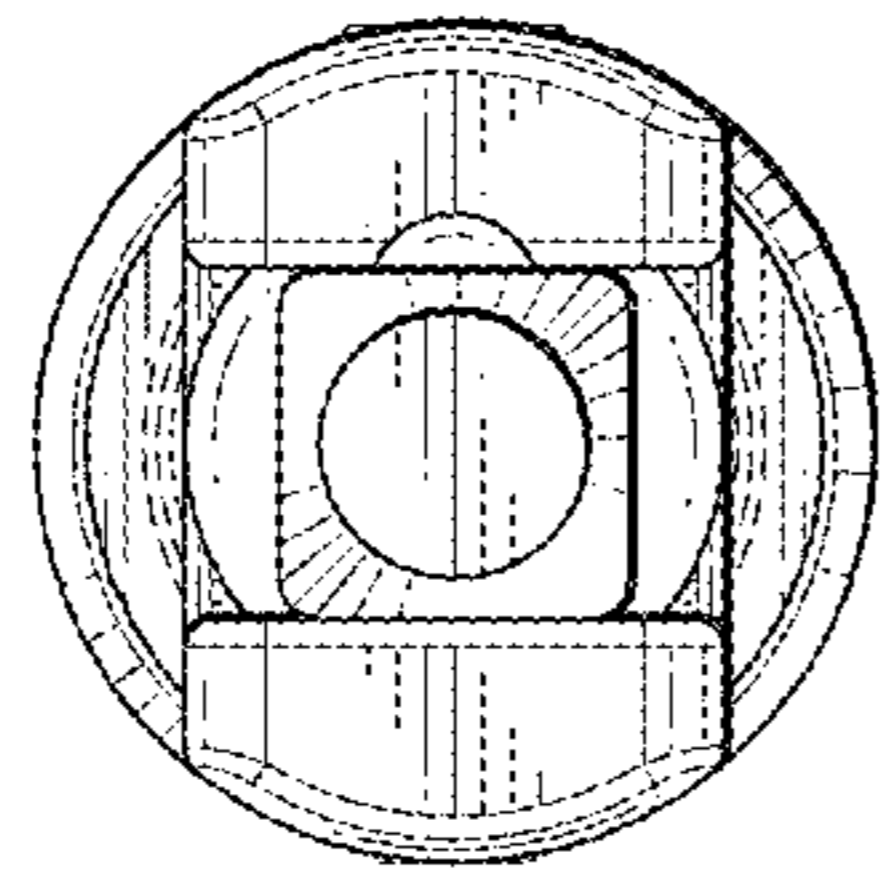


FIG. 4

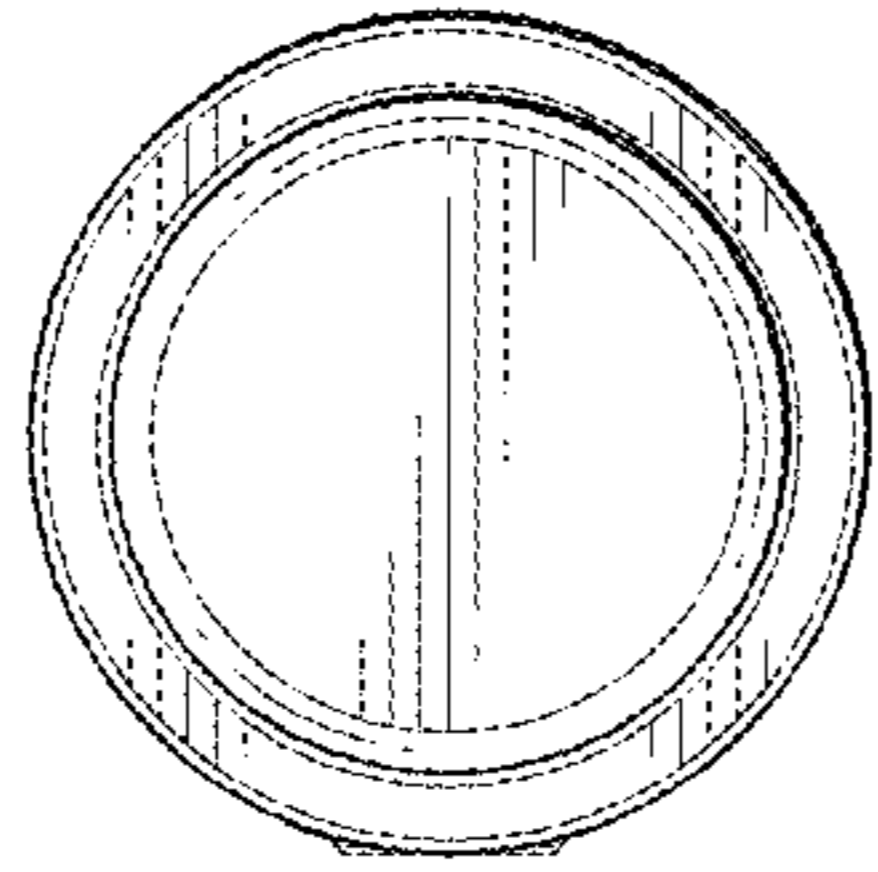


FIG. 5

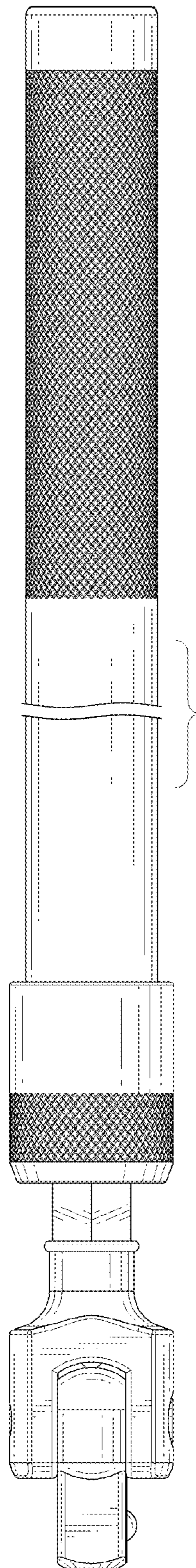


FIG.6

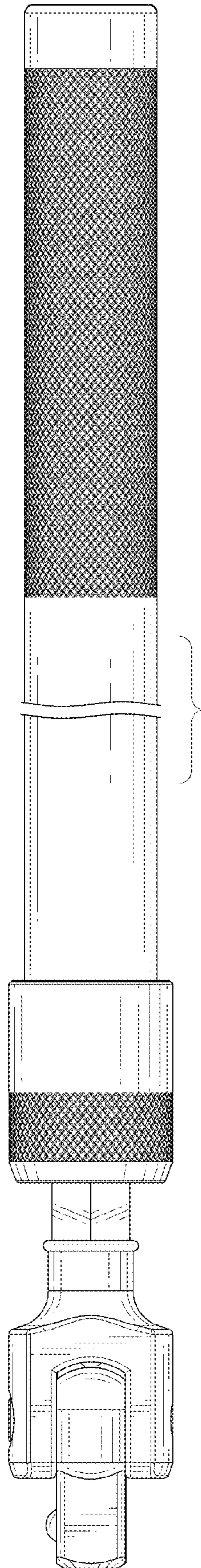


FIG.7

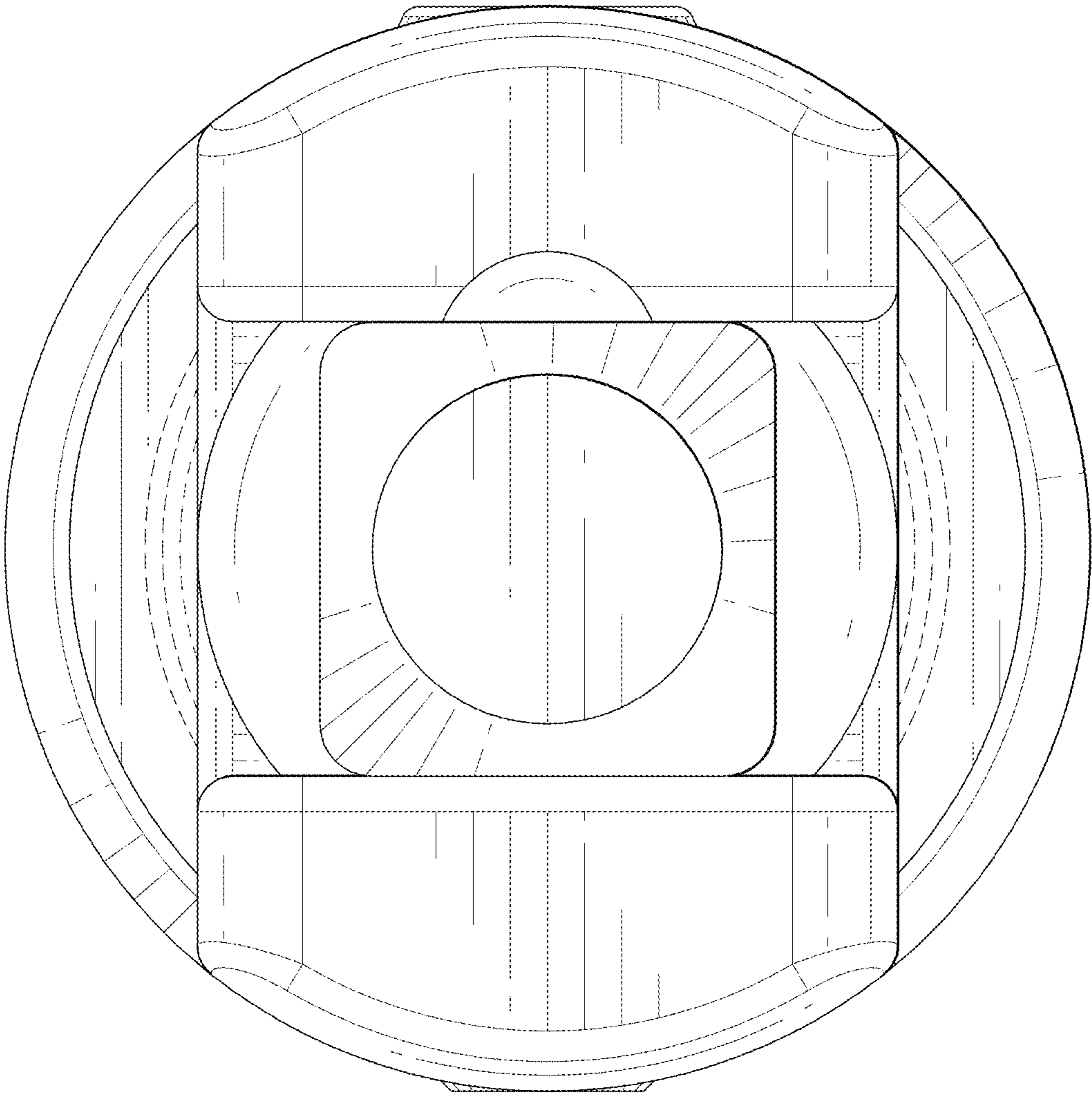


FIG.8

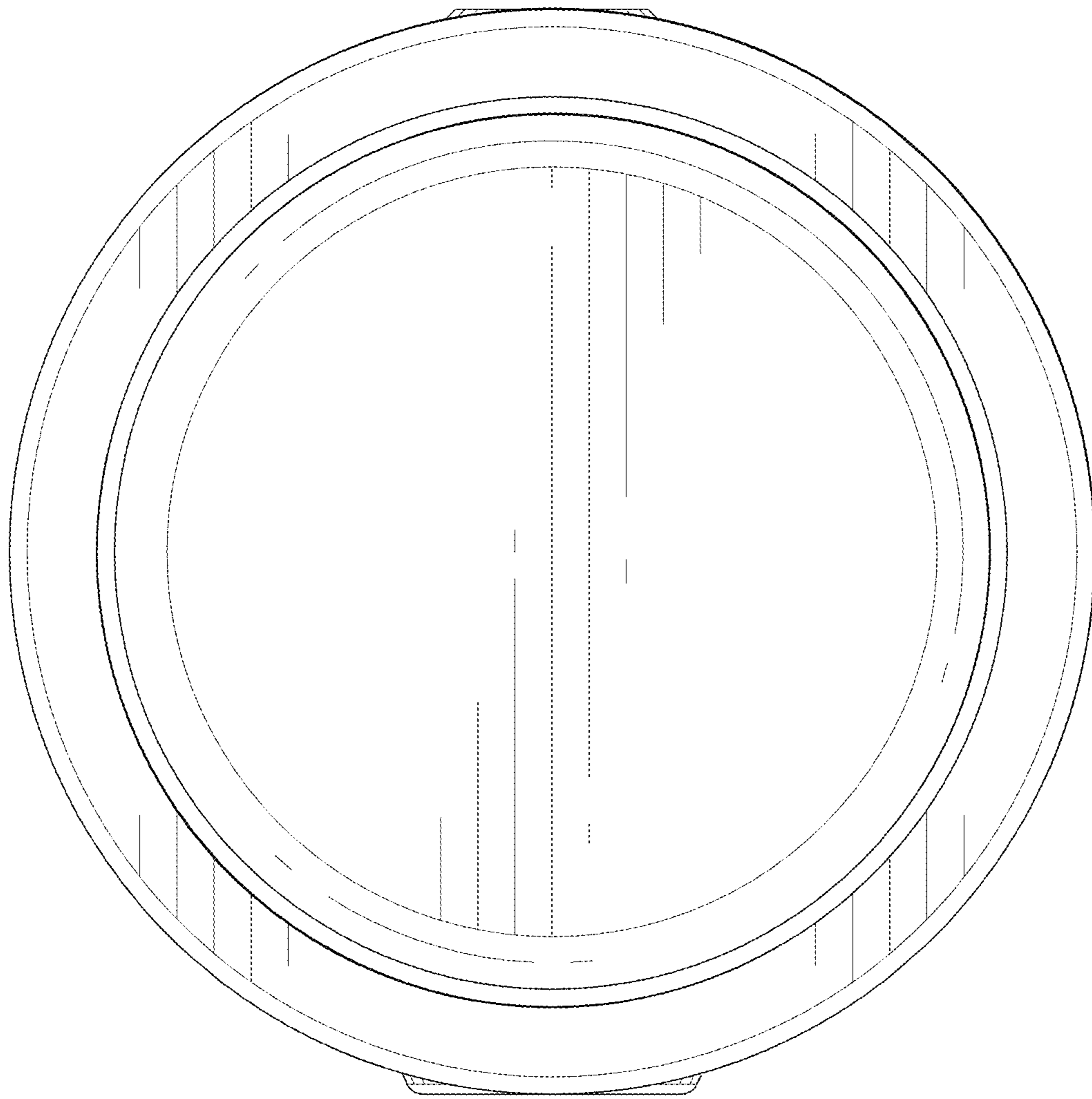


FIG.9

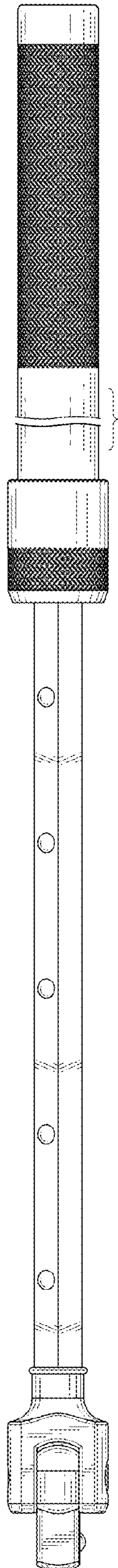


FIG.10