



US00D935855S

(12) **United States Design Patent** (10) **Patent No.:** **US D935,855 S**
Lee (45) **Date of Patent:** **** Nov. 16, 2021**

(54) **PIZZA WHEEL**
(71) Applicant: **Edward Lee**, Brooklyn, NY (US)
(72) Inventor: **Edward Lee**, Brooklyn, NY (US)
(73) Assignee: **Helen of Troy Limited**, St. Michael (BB)
(**) Term: **15 Years**
(21) Appl. No.: **29/710,861**
(22) Filed: **Oct. 27, 2019**
(51) **LOC (13) Cl.** **07-06**
(52) **U.S. Cl.**
USPC **D7/694**
(58) **Field of Classification Search**
USPC D7/213, 372, 381, 412, 673, 683, 688,
D7/689, 691, 692, 693, 694, 695, 696
CPC A47F 13/08; A47G 21/045; B65D 61/246;
B26D 3/26; B26B 25/005
See application file for complete search history.

2005/0188545 A1* 9/2005 Poteet B25G 1/102
30/340
2014/0237826 A1* 8/2014 Dorion B26B 25/005
30/319
2019/0061189 A1* 2/2019 Chang B26B 25/005

OTHER PUBLICATIONS

Amazon website, KitchenAid Classic Pizza Wheel, Date first available on Amazon Oct. 3, 2019, [site visited Jul. 1, 2021], Available on the Internet URL <https://www.amazon.com/KitchenAid-KE113OHERA-Classic-Pizza-Wheel/dp/B07YP2KL1B?th=1> (Year: 2019).*
Amazon website, OXO 1065872 Good Grips 4-inch Pizza Wheel and Cutter, Date first available on Amazon Oct. 2, 2001, [site visited Jul. 1, 2021], Available on the Internet URL www.amazon.com/OXO-Grips-4-inch-Cutter-Non-Stick/dp/B000AN0YYY (Year: 2001).*

* cited by examiner

Primary Examiner — Karen S Acker
Assistant Examiner — Steven B Reinholdt, Jr.
(74) *Attorney, Agent, or Firm* — Rankin, Hill & Clark LLP

(57) **CLAIM**

The ornamental design for a pizza wheel, as shown and described.

(56) **References Cited**

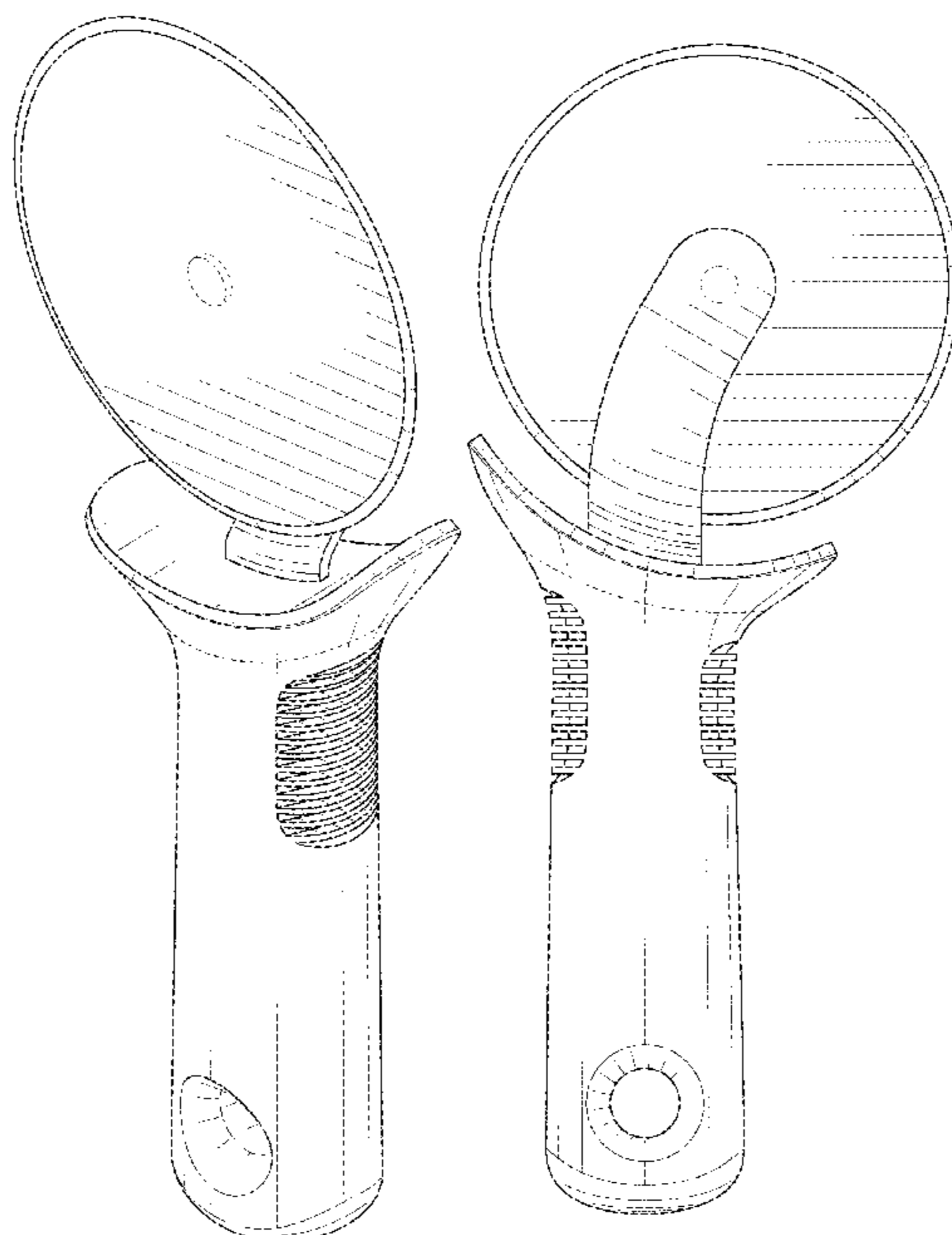
U.S. PATENT DOCUMENTS

D318,209 S *	7/1991	Boxman	D7/694
D387,630 S *	12/1997	Laib	D7/693
D393,987 S *	5/1998	Molo	D7/694
D448,611 S *	10/2001	Ancona	D7/395
D461,380 S *	8/2002	Law	D7/694
D760,557 S *	7/2016	Schuler	D7/694
D908,447 S *	1/2021	Kim	D7/653
D908,449 S *	1/2021	Kim	D7/681
D910,369 S *	2/2021	Kim	D7/395
D914,473 S *	3/2021	Lee	D7/694
D922,160 S *	6/2021	Kim	D7/693

DESCRIPTION

FIG. 1 is a perspective view of a pizza wheel;
FIG. 2 is a front elevation view thereof;
FIG. 3 is a rear elevation view thereof;
FIG. 4 is a left elevation view thereof;
FIG. 5 is a right elevation view thereof;
FIG. 6 is a top view thereof; and,
FIG. 7 is a bottom view thereof.
The broken lines in the drawings depict portions of the pizza wheel that form no part of the claimed design.

1 Claim, 5 Drawing Sheets



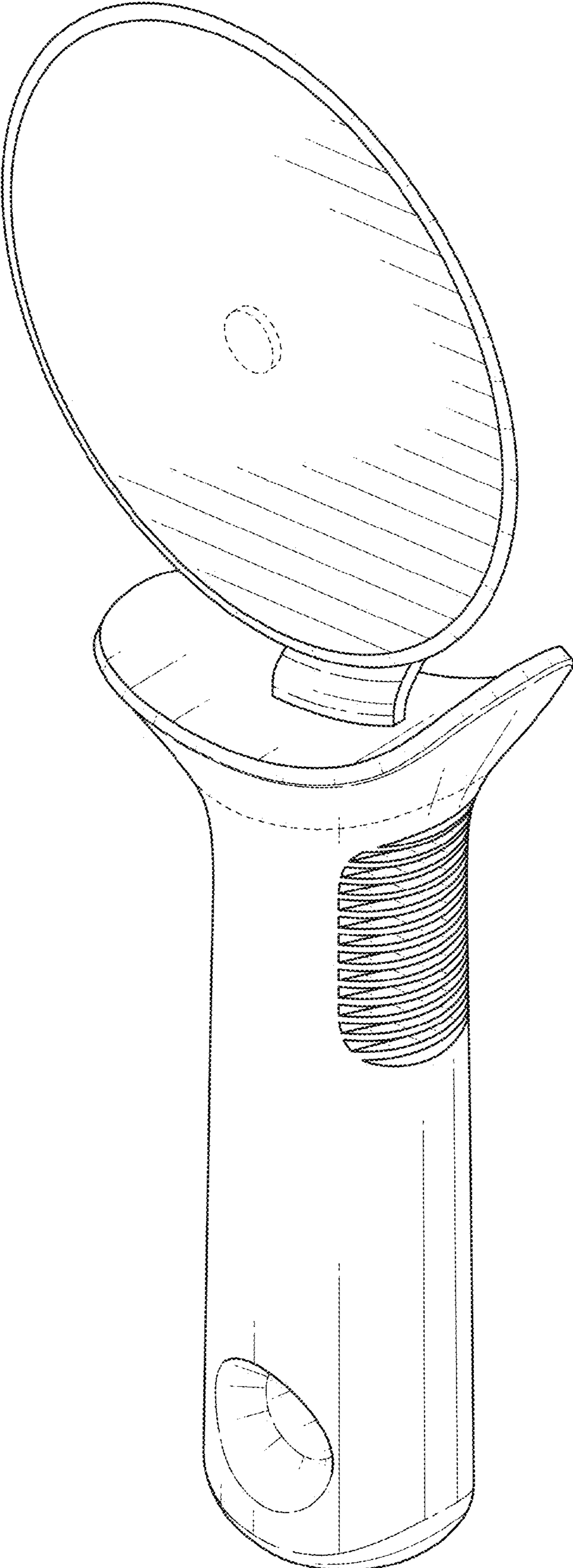


FIG. 1

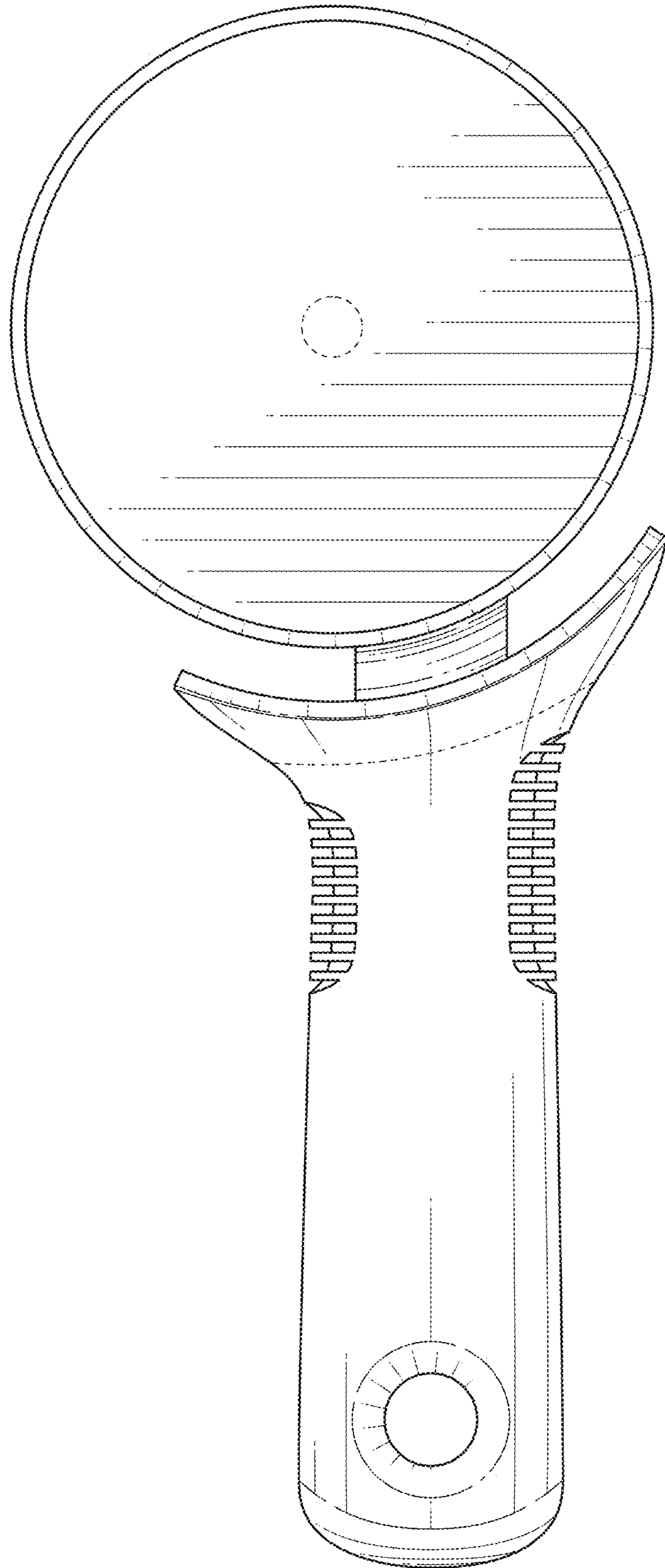


FIG. 2

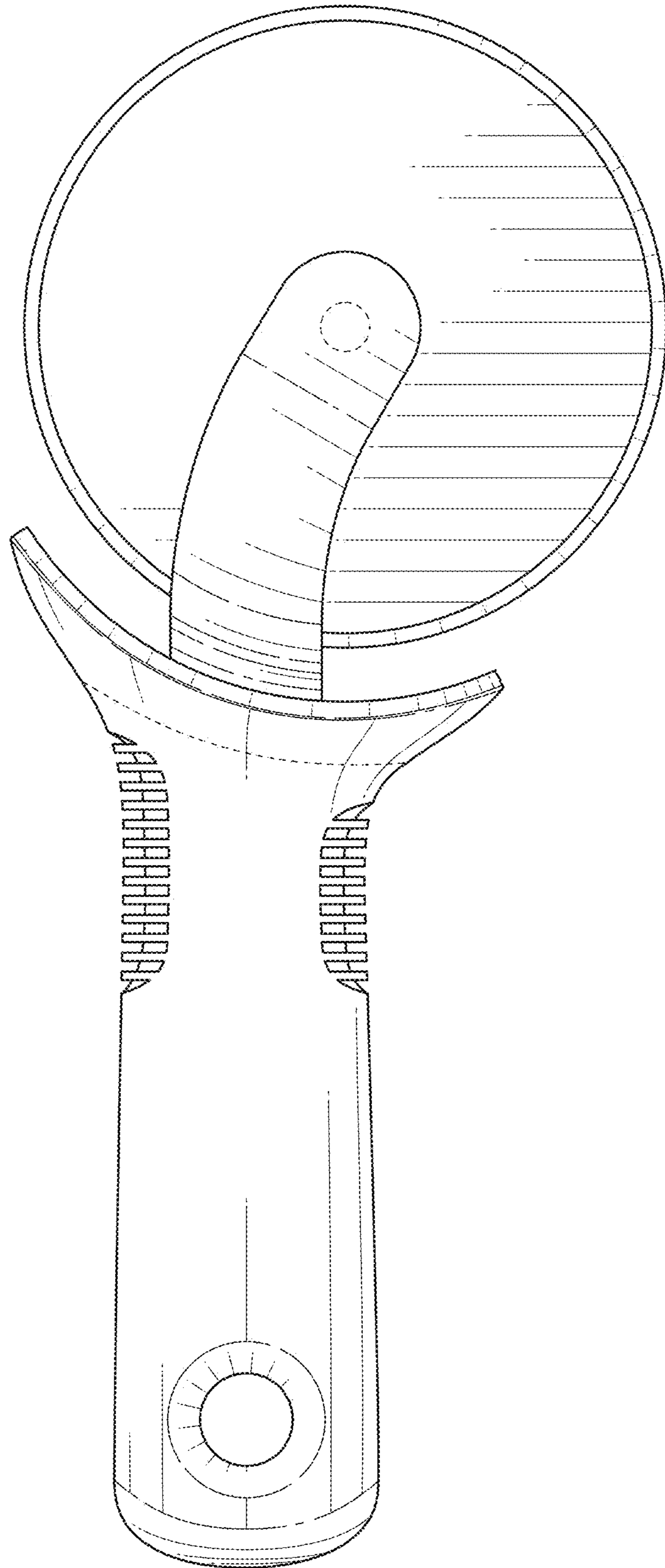


FIG. 3

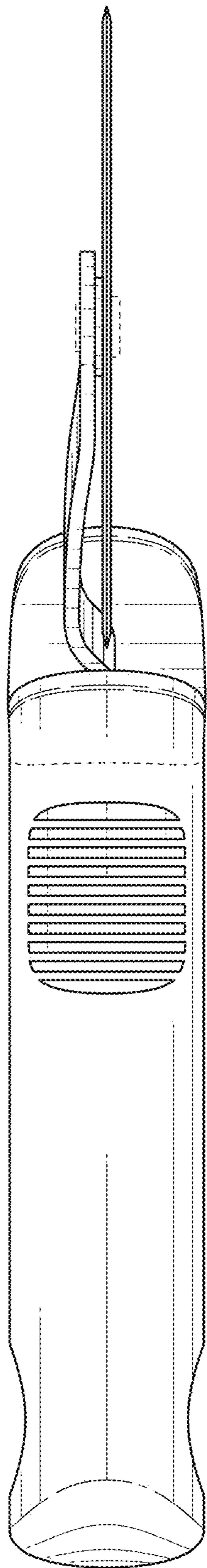


FIG. 4

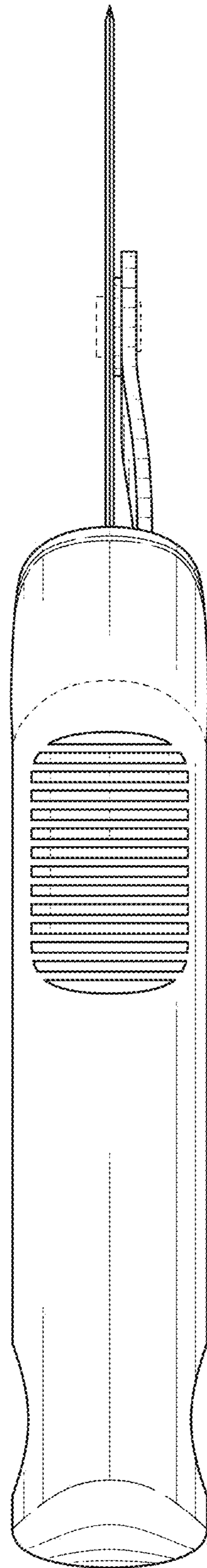


FIG. 5

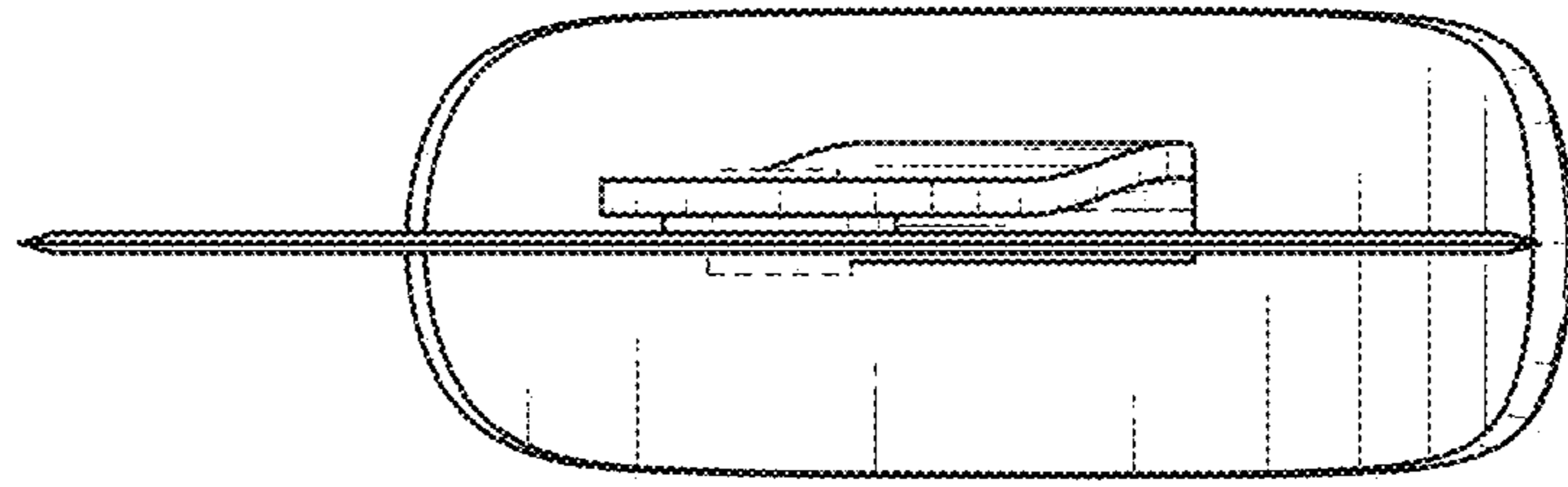


FIG. 6

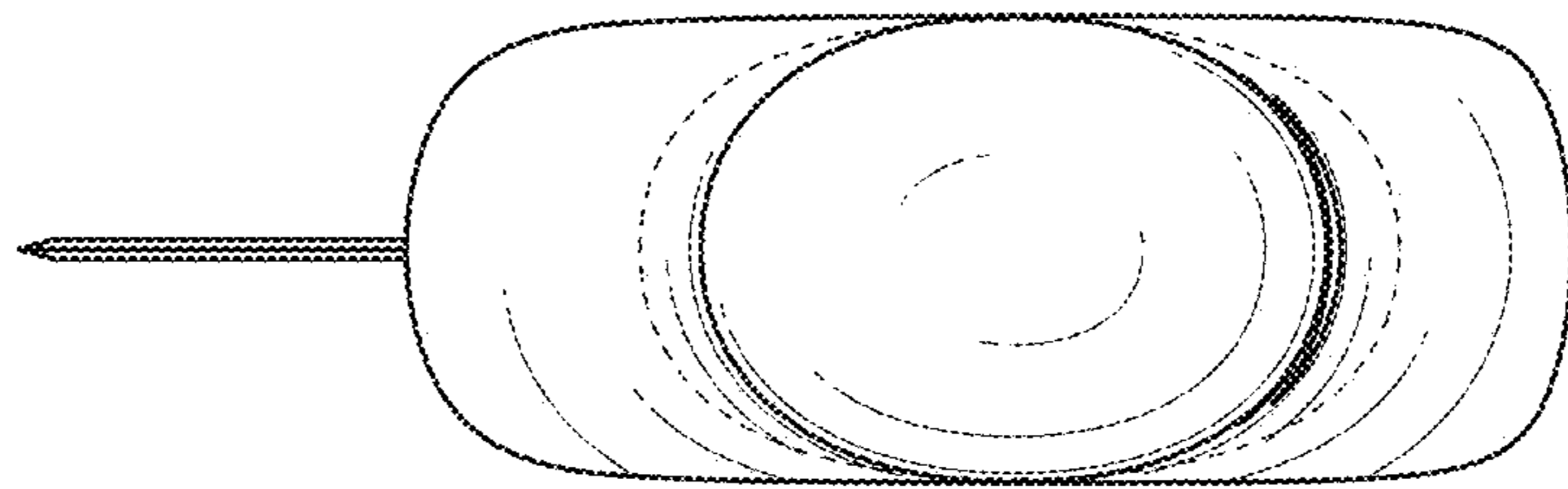


FIG. 7