



US00D935854S

(12) **United States Design Patent** (10) **Patent No.:** **US D935,854 S**
Sears (45) **Date of Patent:** **** Nov. 16, 2021**

(54) **PAIR OF TONGS**
(71) Applicant: **R.A.S. Developments, LLC,**
Washington, DC (US)
(72) Inventor: **Russell Adams Sears,** Washington, DC
(US)
(73) Assignee: **R.A.S. DEVELOPMENTS, LLC,**
Washington, DC (US)

(**) Term: **15 Years**

(21) Appl. No.: **29/743,723**

(22) Filed: **Jul. 23, 2020**

(51) **LOC (13) Cl.** **07-04**

(52) **U.S. Cl.**
USPC **D7/686**

(58) **Field of Classification Search**
USPC D7/368, 669, 680–696, 642, 643, 644;
D8/51, 52, 54, 71, 72
CPC A47J 43/283; A47J 43/28; A47J 43/288;
A47G 21/10; A47G 21/106; A47G
21/103; A47G 21/00; B25B 7/00; B25B
9/00; B25B 9/02; B25B 9/04
See application file for complete search history.

(56) **References Cited**

U.S. PATENT DOCUMENTS

525,076 A * 8/1894 Heffner et al. B25B 9/00
294/115
1,728,084 A * 9/1929 Shroyer B66C 1/58
294/118
2,729,890 A * 1/1956 Stahl B26F 3/06
225/94

2,747,912 A * 5/1956 Franklin A47J 43/283
294/29
D298,297 S * 11/1988 Maltby D7/687
D381,873 S * 8/1997 De Bock D7/687
D428,779 S * 8/2000 Walker D7/687
D442,835 S * 5/2001 Kaposi D7/686
D481,915 S * 11/2003 Mezger-Boehringer D7/686
D628,029 S * 11/2010 Rothman D7/686

* cited by examiner

Primary Examiner — Terry A Wallace

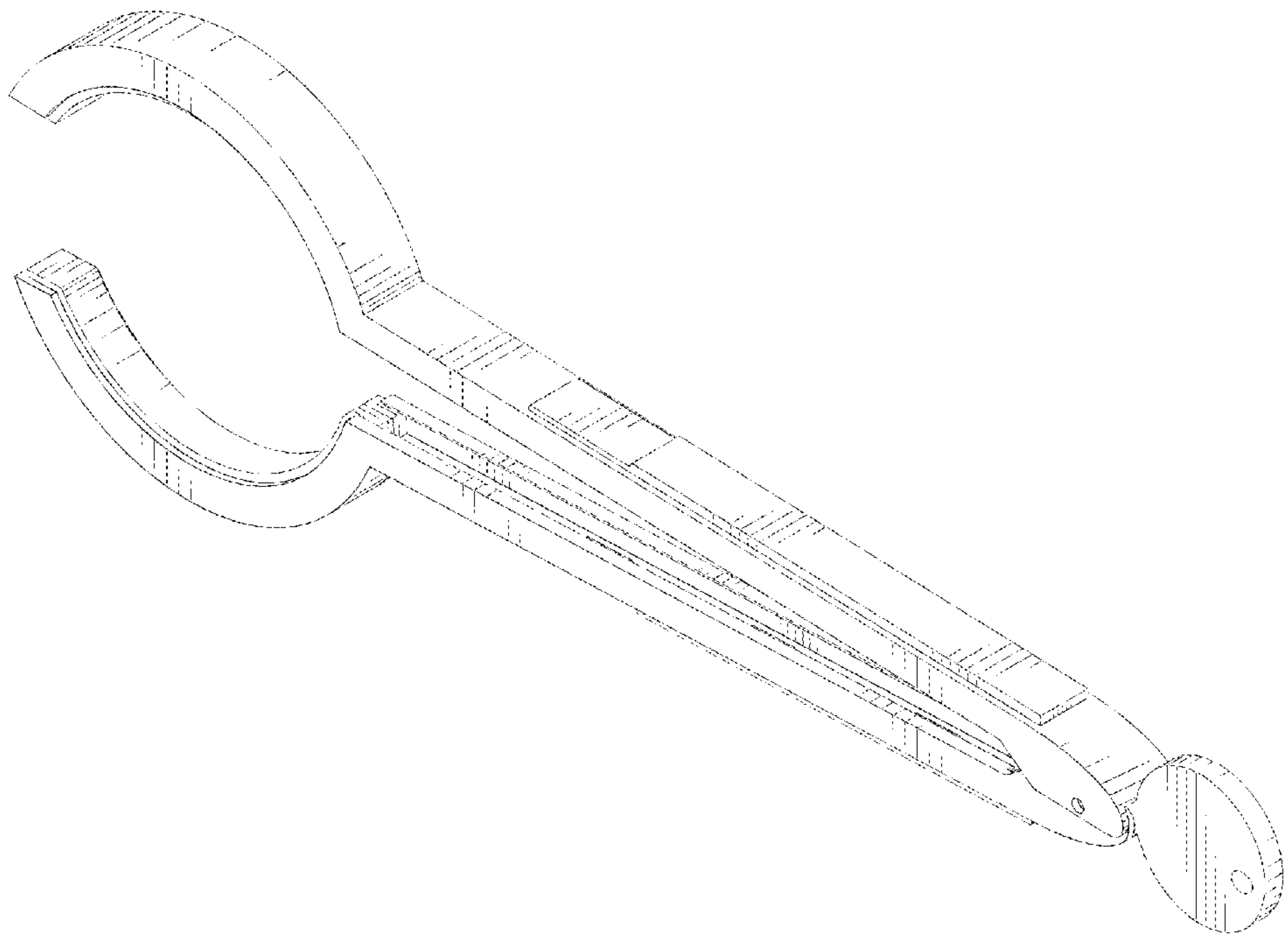
(57) **CLAIM**

The ornamental design for a pair of tongs, as shown and described.

DESCRIPTION

FIG. 1 is a front-top-left perspective view of a pair of tongs, showing my new design;
FIG. 2 is a rear-bottom-right perspective view thereof;
FIG. 3 is a front elevation view thereof;
FIG. 4 is a rear elevational view thereof;
FIG. 5 is a top plan view thereof;
FIG. 6 is a bottom plan view thereof;
FIG. 7 is a left elevational view thereof;
FIG. 8 is a right elevational view thereof;
FIG. 9 is a front-top-left exploded perspective view thereof;
FIG. 10 is a front-top-right exploded perspective view thereof; and,
FIG. 11 is a rear-bottom-left exploded perspective view of a pair of tongs.
The broken lines are for illustrative purposes only and form no part of the claimed design.

1 Claim, 11 Drawing Sheets



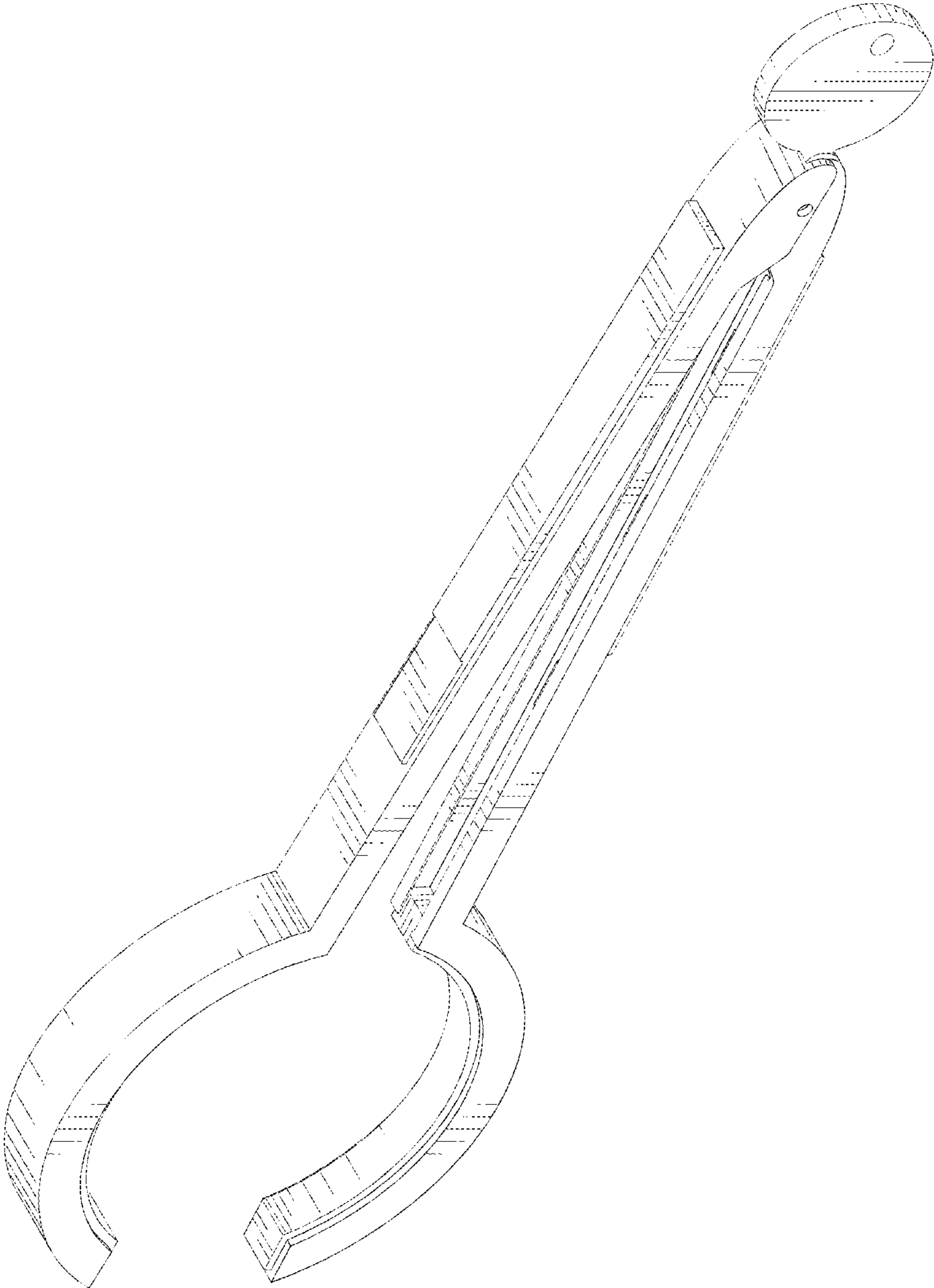


FIG. 1

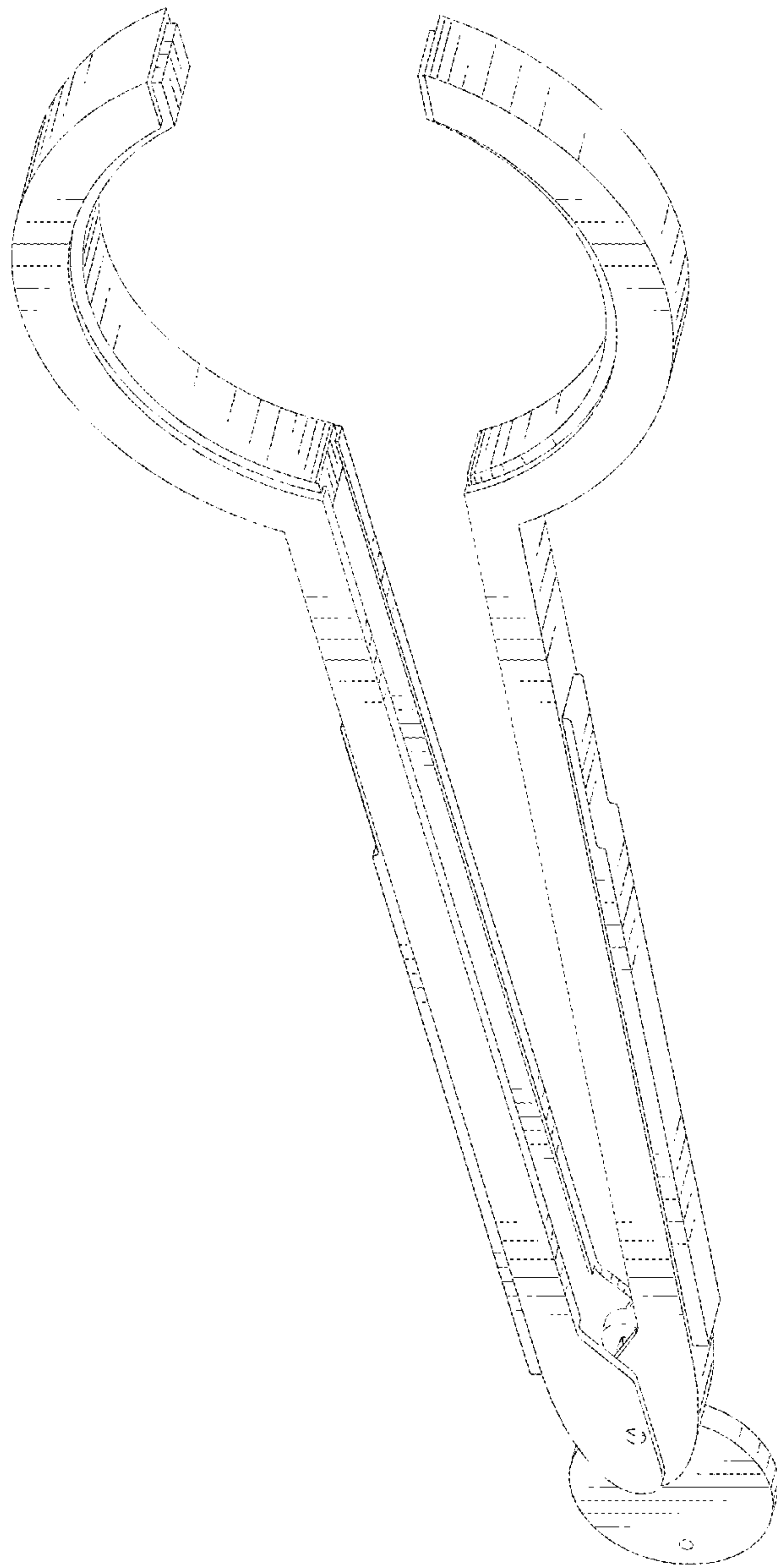


FIG. 2

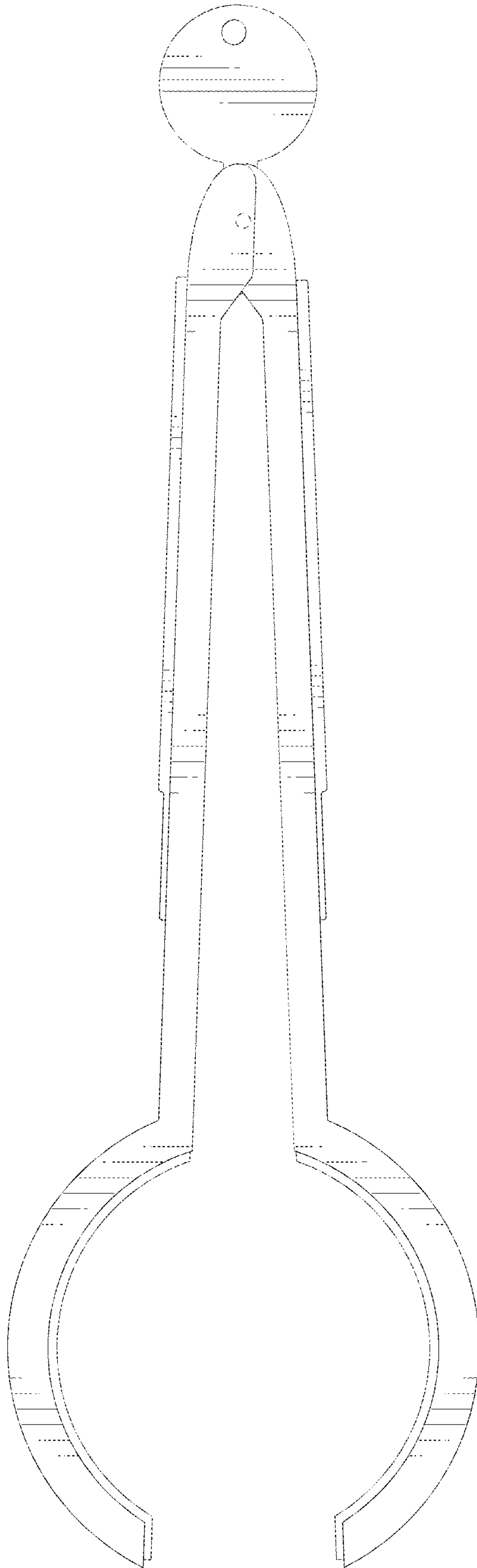


FIG. 3

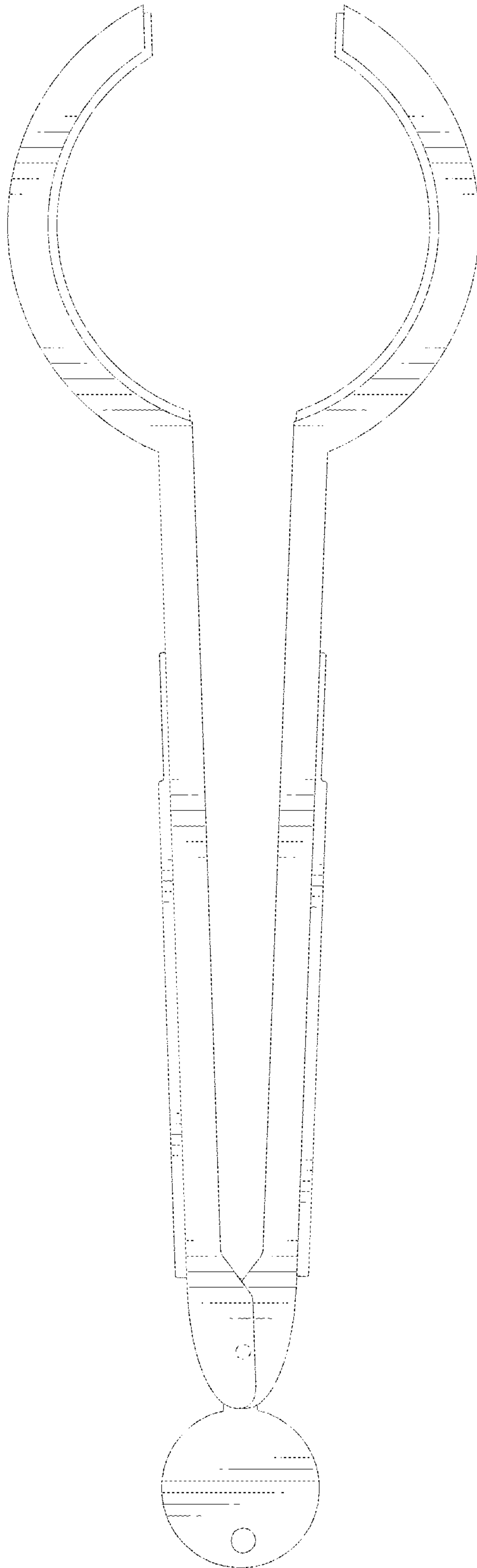


FIG. 4

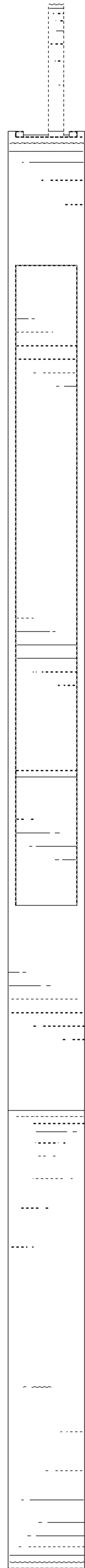


FIG. 5

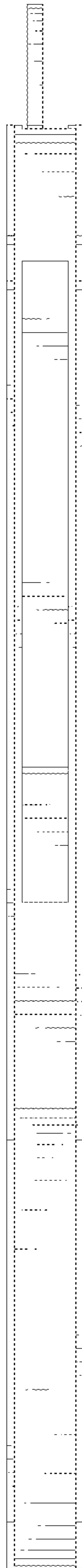


FIG. 6

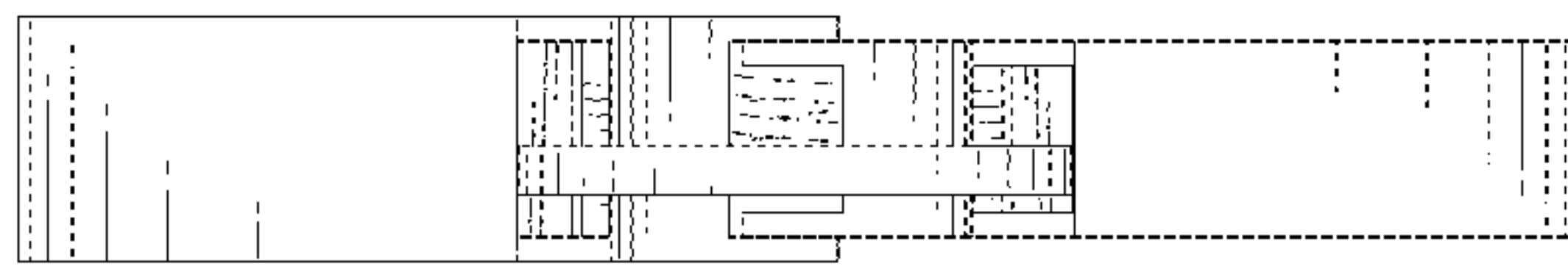


FIG. 7

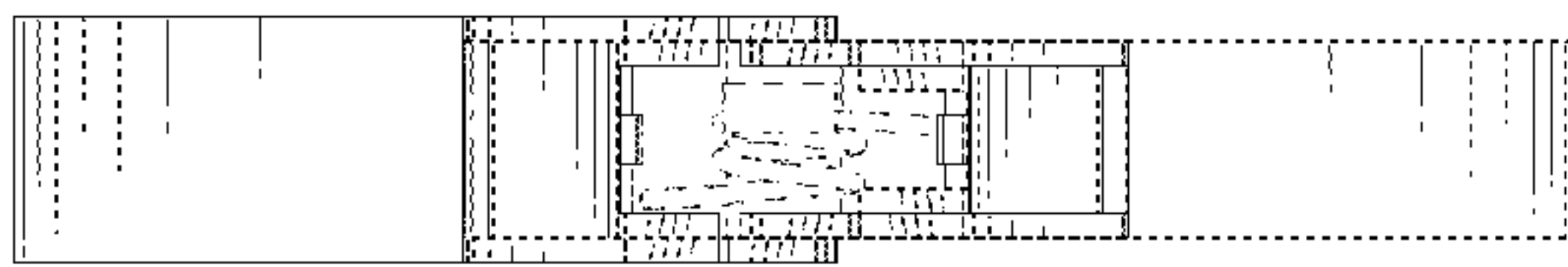


FIG. 8

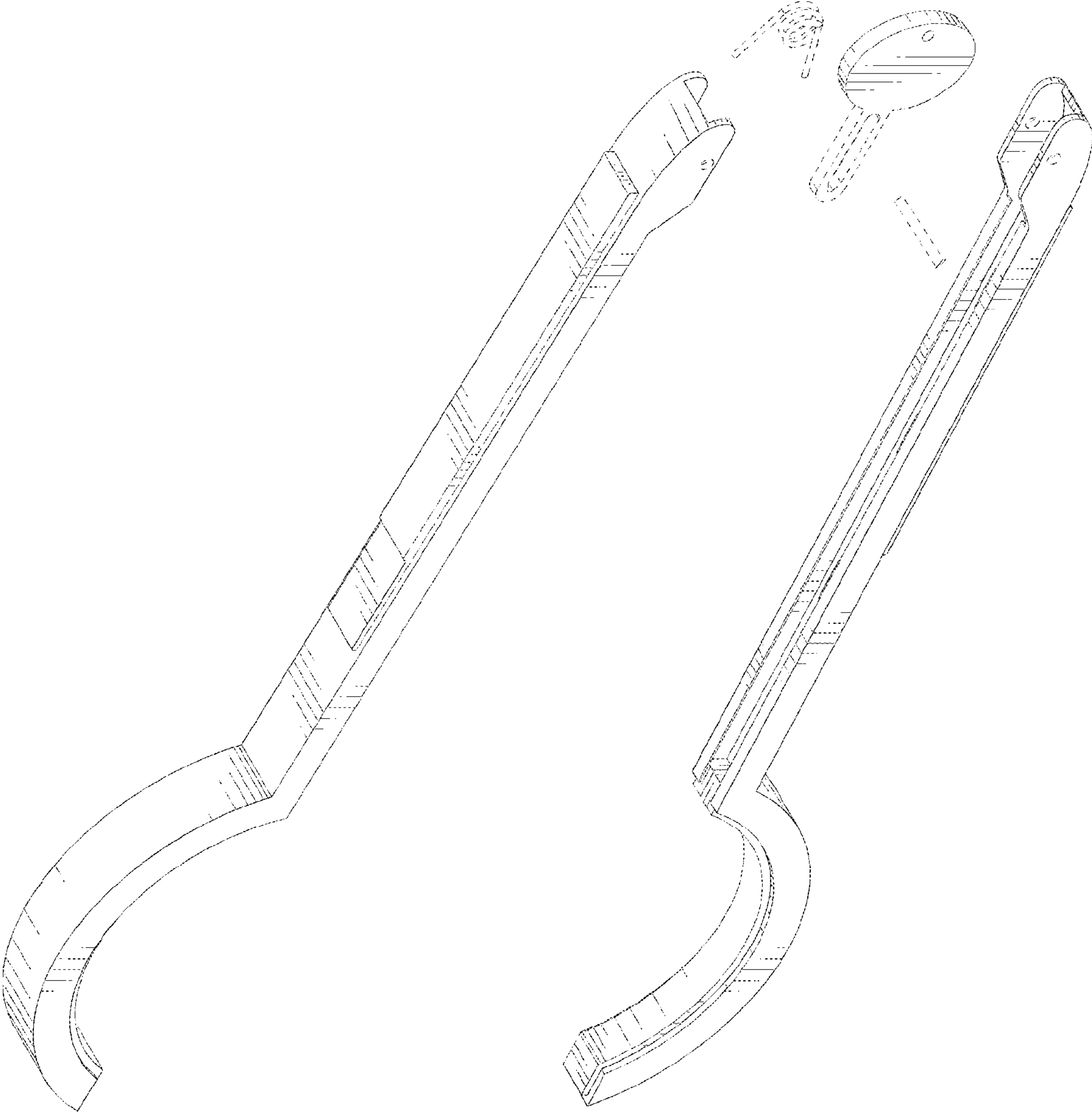


FIG. 9

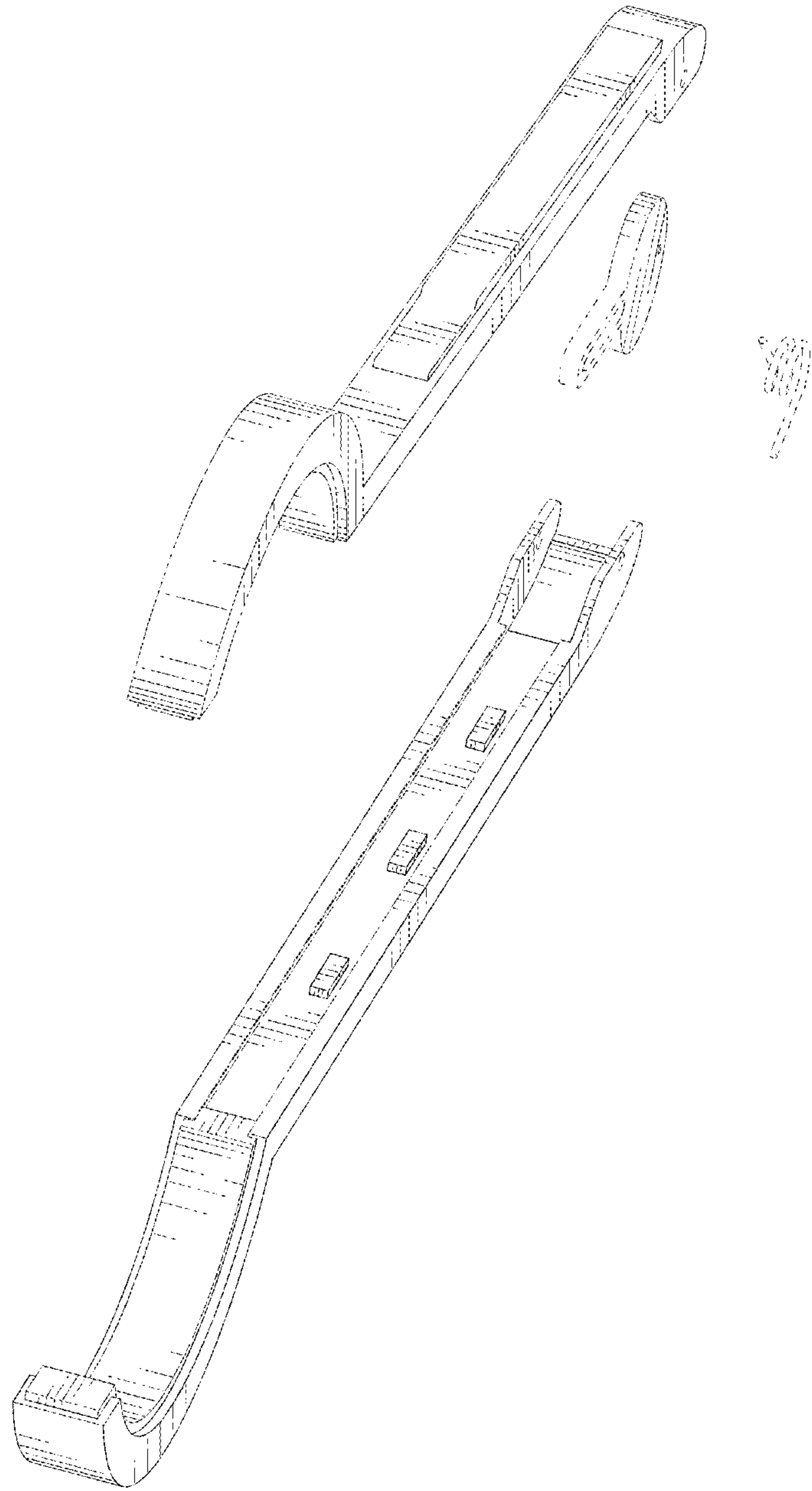


FIG. 10

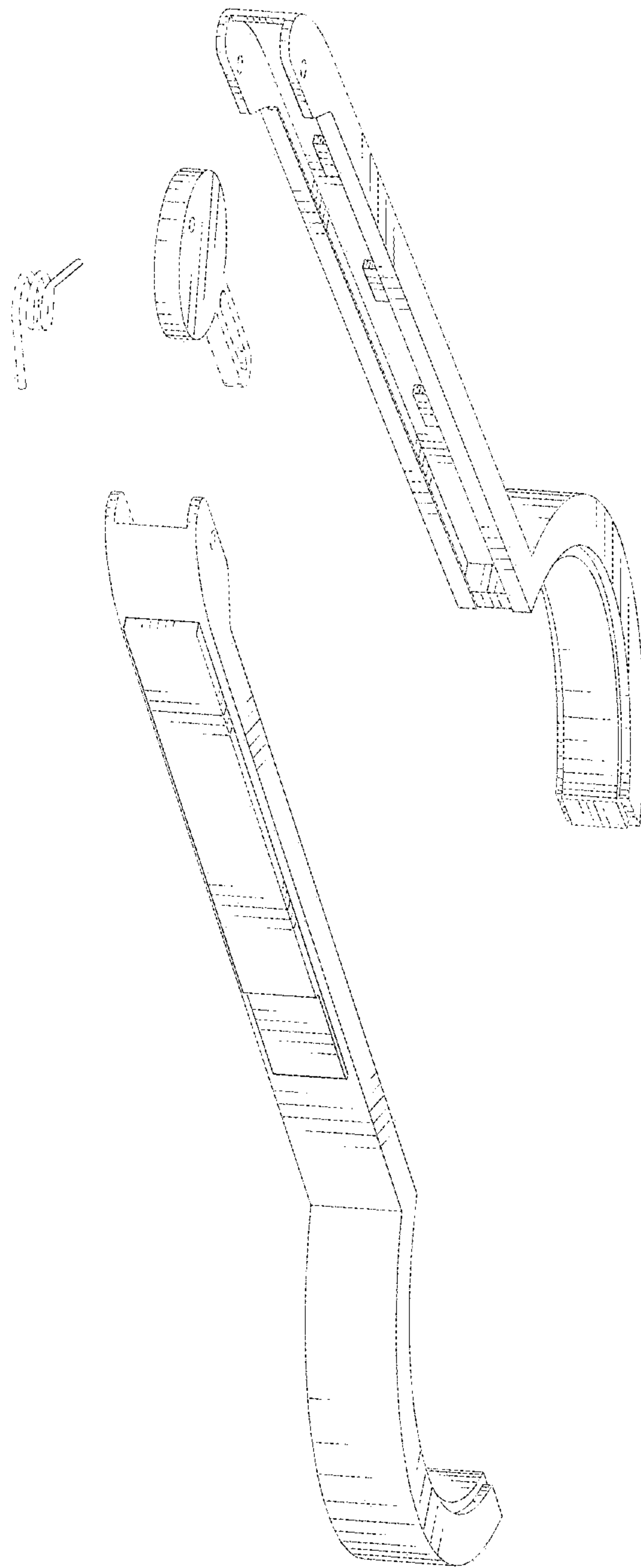


FIG. 11