



US00D935853S

(12) **United States Design Patent** (10) **Patent No.:** **US D935,853 S**
Hong (45) **Date of Patent:** **** Nov. 16, 2021**

(54) **COLLAPSIBLE COLANDER**
(71) Applicant: **Quanzhou Beisaisale Technology Co., Ltd.**, Quanzhou (CN)
(72) Inventor: **Yikai Hong**, Quanzhou (CN)
(**) Term: **15 Years**
(21) Appl. No.: **29/768,736**
(22) Filed: **Feb. 1, 2021**
(51) **LOC (13) Cl.** **07-04**
(52) **U.S. Cl.**
USPC **D7/667**
(58) **Field of Classification Search**
USPC D7/667, 354, 359, 360, 409
CPC A47J 43/286; A47J 43/24; A47J 43/28;
A47J 43/22; A47J 43/00; A47J 43/284;
A47J 36/20; A47J 36/22; A47J 36/08;
A47J 19/00; A47J 19/005; A47J 27/10;
A47J 27/04
See application file for complete search history.

D558,536 S 1/2008 Curtin
D558,537 S * 1/2008 Curtin D7/667
D564,307 S 3/2008 Repp
D574,673 S 8/2008 Tsui
D734,103 S 7/2015 Kin
D784,777 S 4/2017 Cotter
D816,435 S * 5/2018 Chang D7/667
D852,572 S * 7/2019 Klipshtein D7/359
D924,640 S * 7/2021 Kuo D7/667

* cited by examiner

Primary Examiner — Abraham Bahta

(74) *Attorney, Agent, or Firm* — Rमित Ranjit Kanakia

(57) **CLAIM**

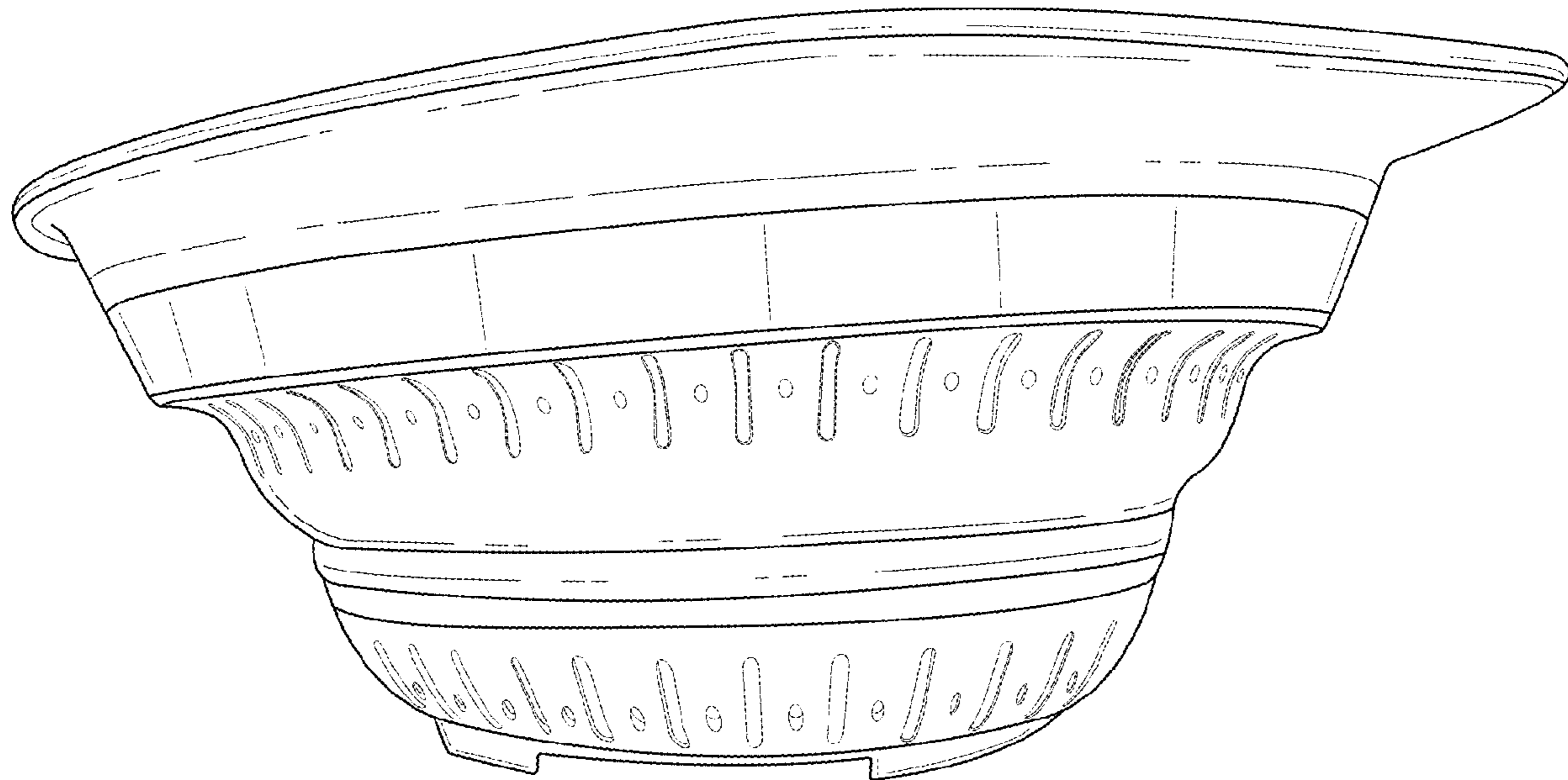
I claim the ornamental design for a collapsible colander, as shown and described.

DESCRIPTION

FIG. 1 is a Perspective view of a collapsible colander showing my new design;
FIG. 2 is a Front view thereof;
FIG. 3 is a Back view thereof;
FIG. 4 is a Right-side view thereof;
FIG. 5 is a Left-side view thereof;
FIG. 6 is a Top view thereof; and,
FIG. 7 is a Bottom view thereof.

1 Claim, 7 Drawing Sheets

(56) **References Cited**
U.S. PATENT DOCUMENTS
D469,667 S * 2/2003 Burton D7/667
D502,847 S * 3/2005 Leonori D7/667



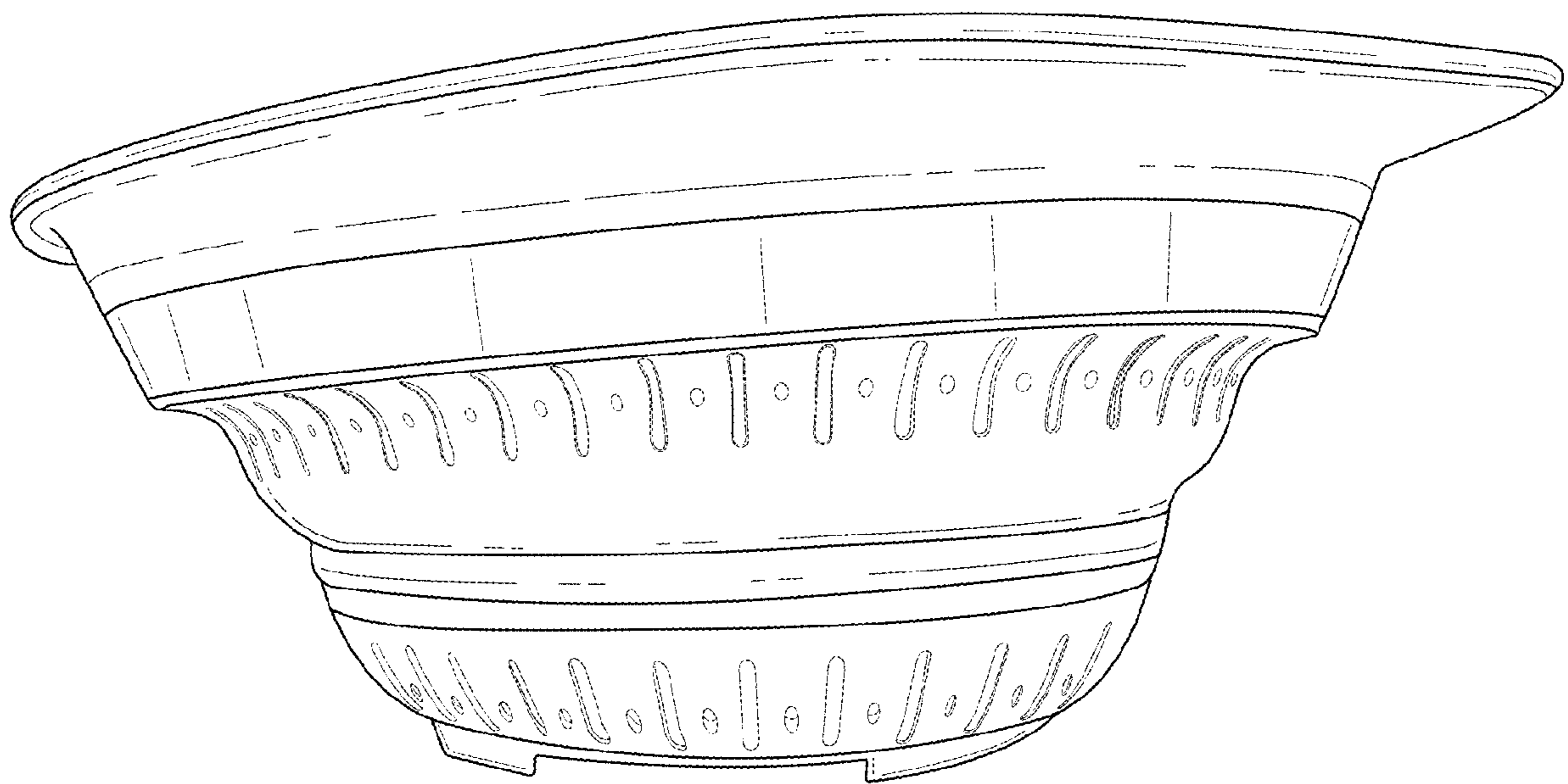


FIG. 1

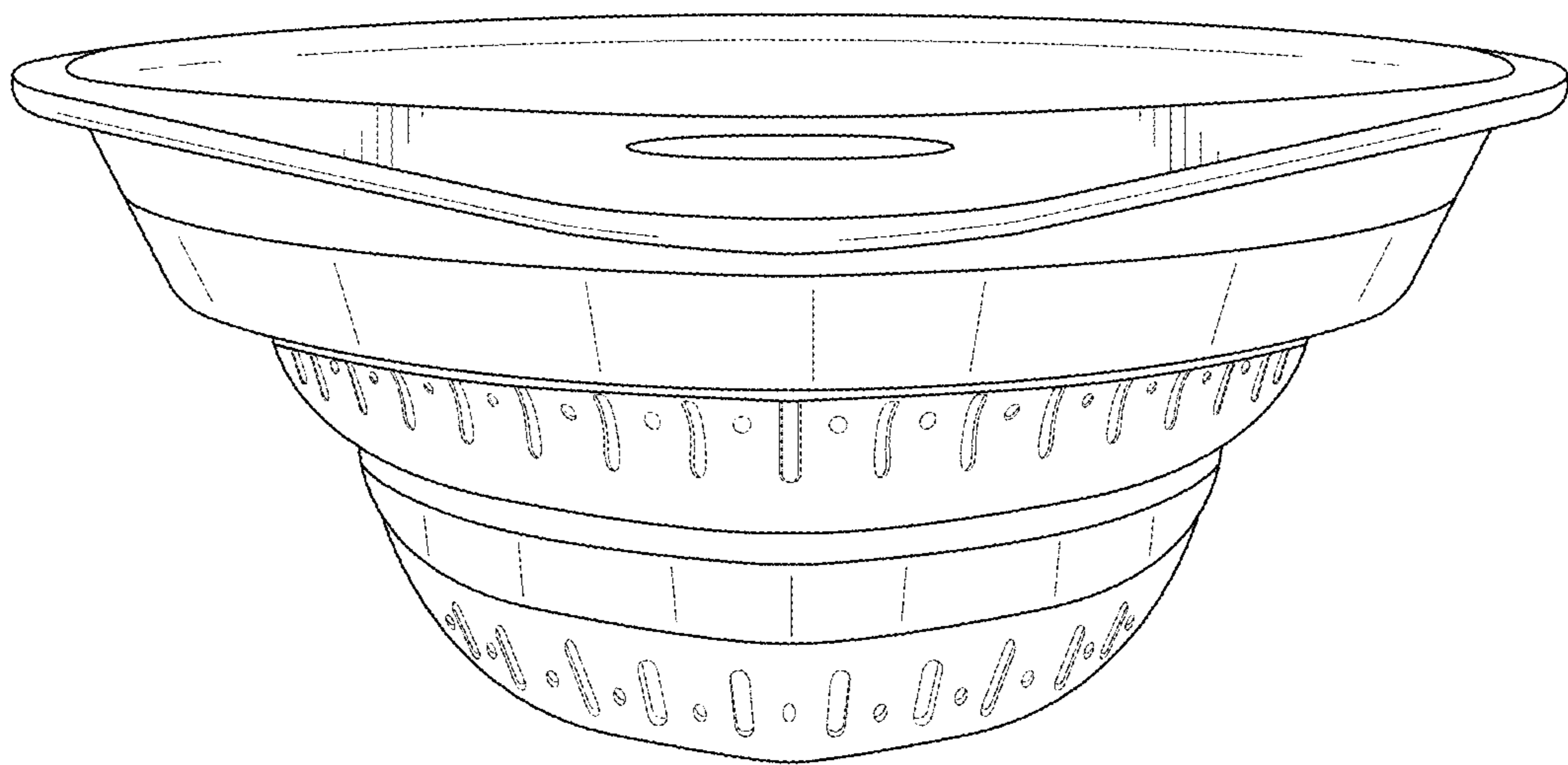


FIG. 2

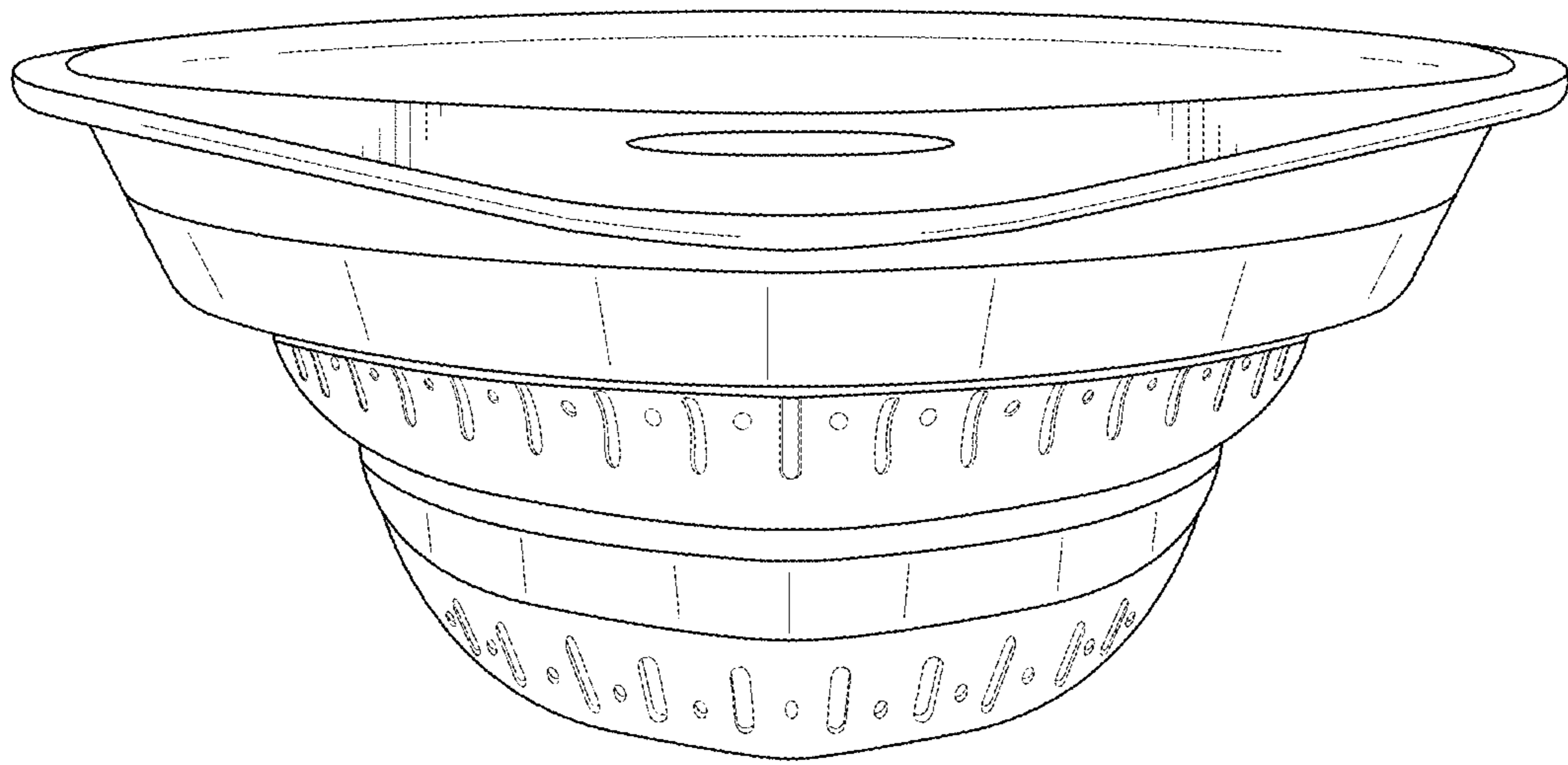


FIG. 3

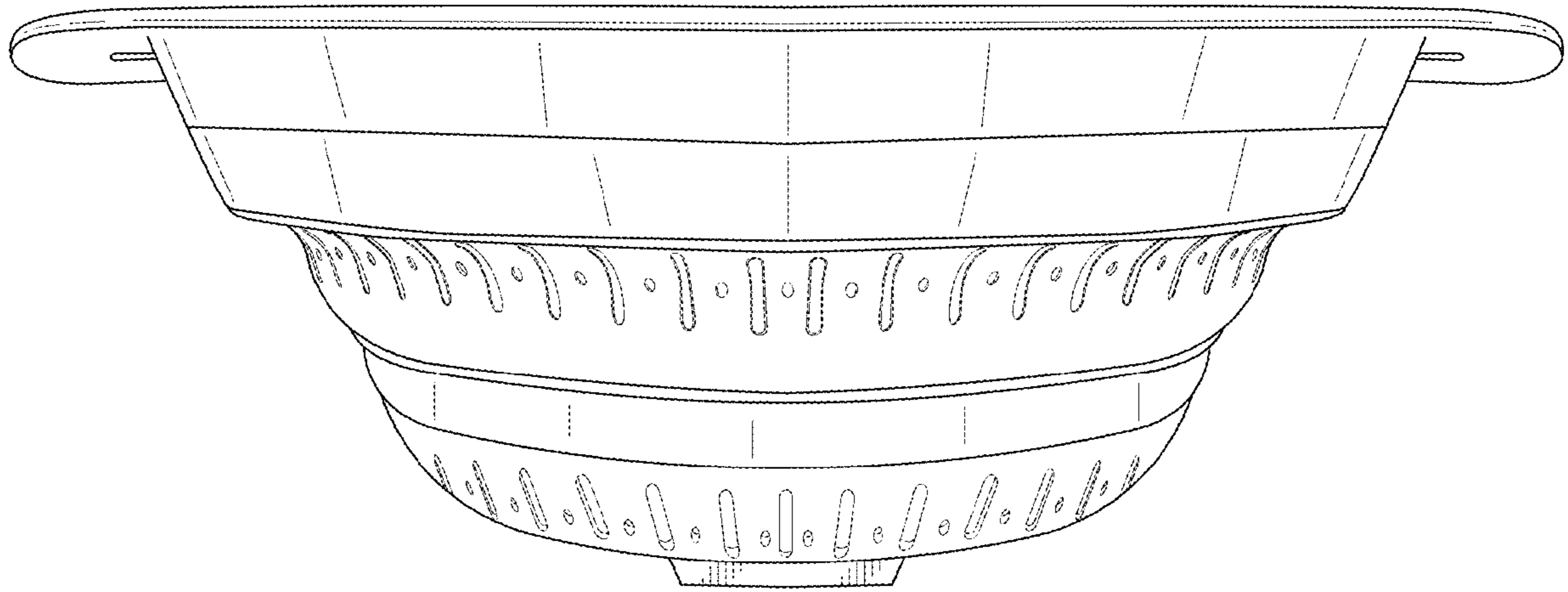


FIG. 4

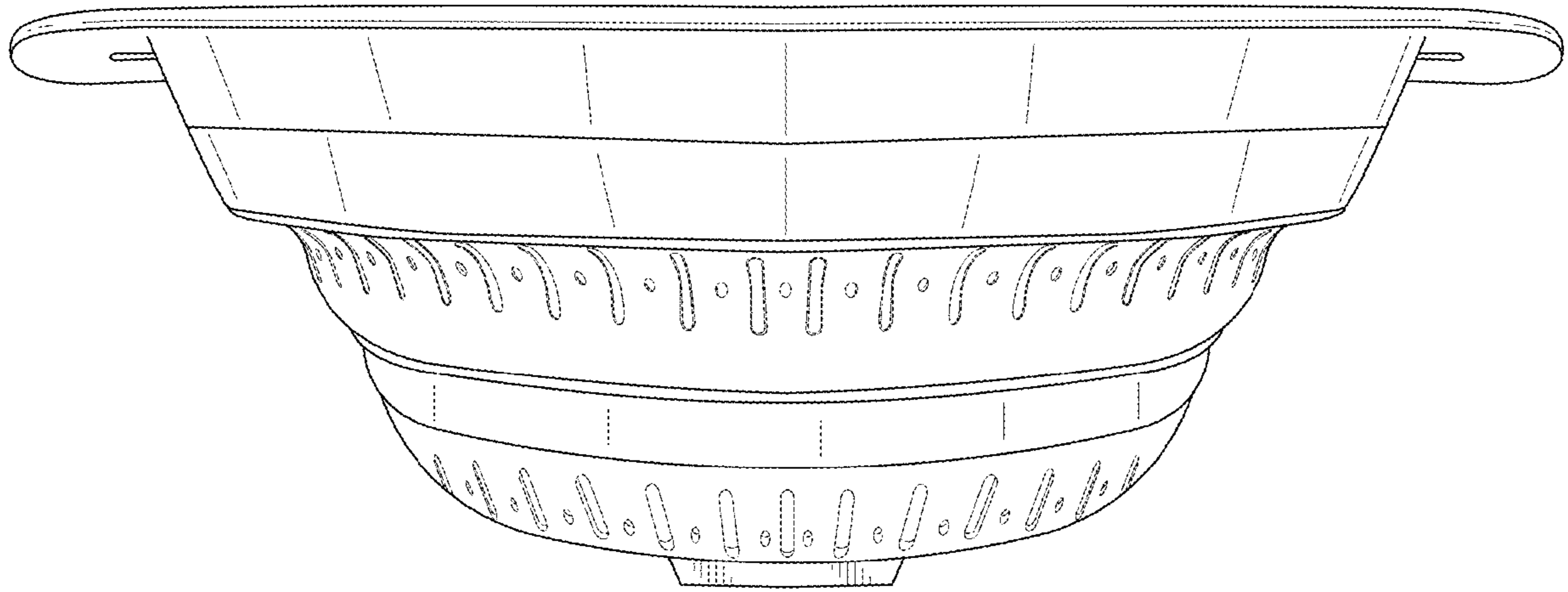


FIG. 5

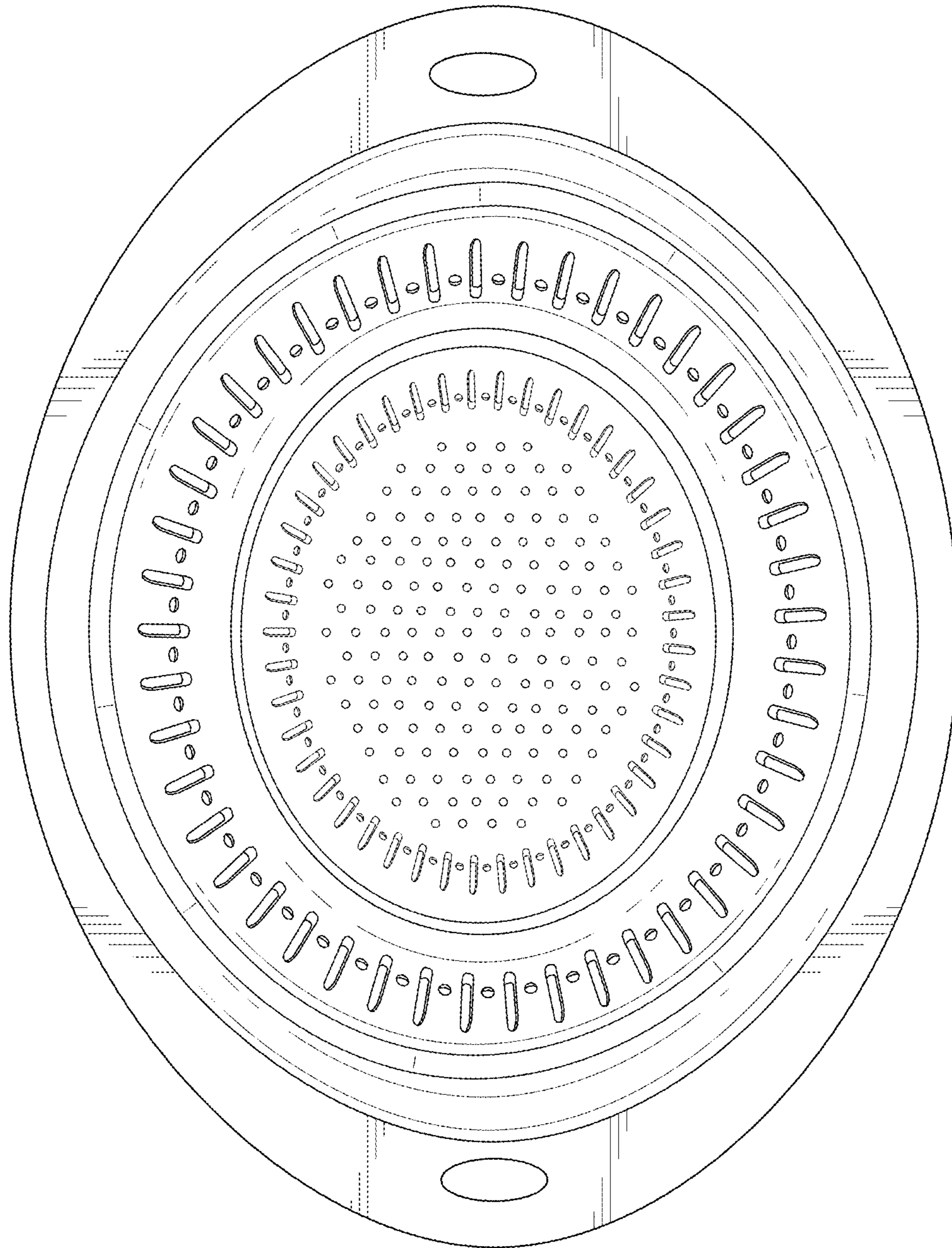


FIG. 6

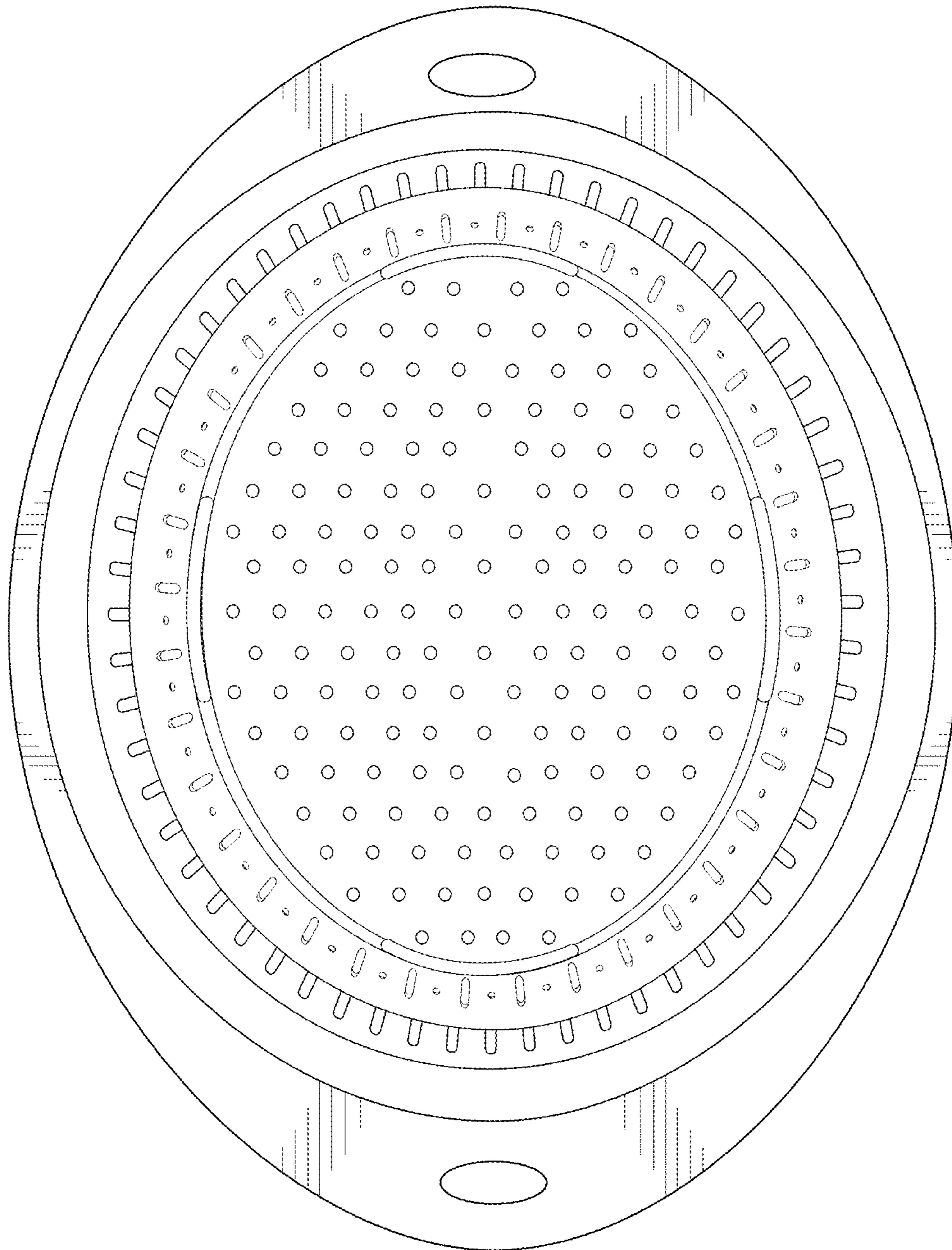


FIG. 7