



US00D935851S

(12) **United States Design Patent**
Reijnders

(10) **Patent No.:** **US D935,851 S**

(45) **Date of Patent:** **** Nov. 16, 2021**

(54) **FRUIT JUICE EXTRACTOR**

(71) Applicant: **E & M Beheer B.V.**, Oss (NL)

(72) Inventor: **Waldo Wouter Reijnders**, Amsterdam (NL)

(73) Assignee: **E & M Beheer B.V.**

(**) Term: **15 Years**

(21) Appl. No.: **29/732,653**

(22) Filed: **Apr. 27, 2020**

(30) **Foreign Application Priority Data**

Oct. 29, 2019 (EM) 007135504-0001

(51) **LOC (13) Cl.** **31-00**

(52) **U.S. Cl.**
USPC **D7/665**

(58) **Field of Classification Search**
USPC D7/665, 666
CPC A47J 19/00; A47J 19/02; A47J 19/023;
A47J 19/025; A47J 19/027; A47J 43/00;
A47J 43/042; A47J 2043/04454; A23N
1/00; A23N 1/003; A23N 1/02; A23N
1/006

See application file for complete search history.

(56) **References Cited**

U.S. PATENT DOCUMENTS

D192,675 S * 4/1962 Talge D7/666
D665,632 S * 8/2012 Kim D7/665
D718,094 S * 11/2014 Yan D7/665

* cited by examiner

Primary Examiner — Terry A Wallace

(74) *Attorney, Agent, or Firm* — The Webb Law Firm

(57) **CLAIM**

The ornamental design for a fruit juice extractor, as shown and described.

DESCRIPTION

FIG. 1 is a front perspective view of a fruit juice extractor, showing our new design;

FIG. 2 is a front view thereof;

FIG. 3 is a rear view thereof;

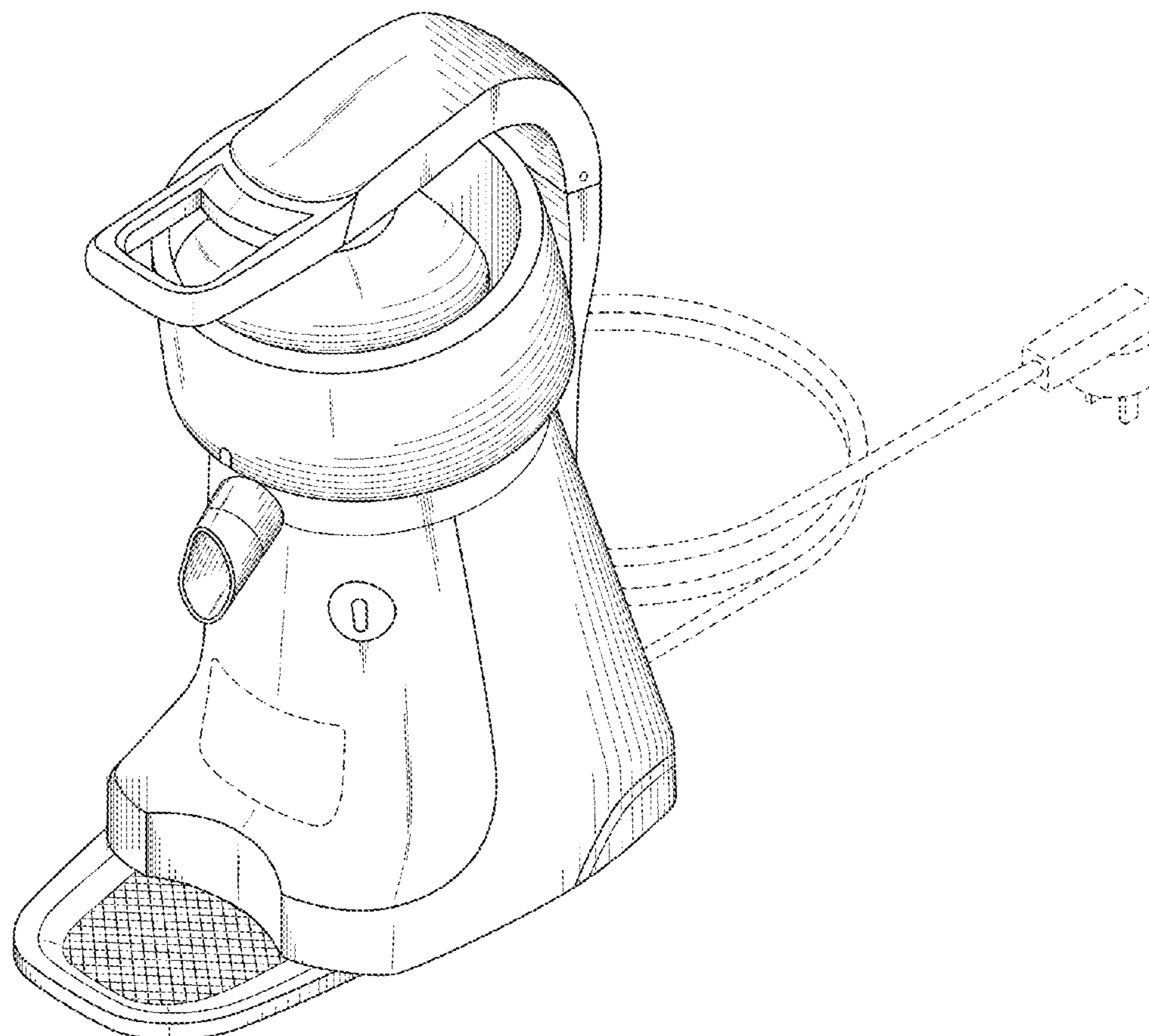
FIG. 4 is a left side view thereof;

FIG. 5 is a right side view thereof; and,

FIG. 6 is a top view thereof.

The broken lines shown in FIGS. 1-6 depict other components of the fruit juice extractor and are included for environmental purposes only.

1 Claim, 6 Drawing Sheets



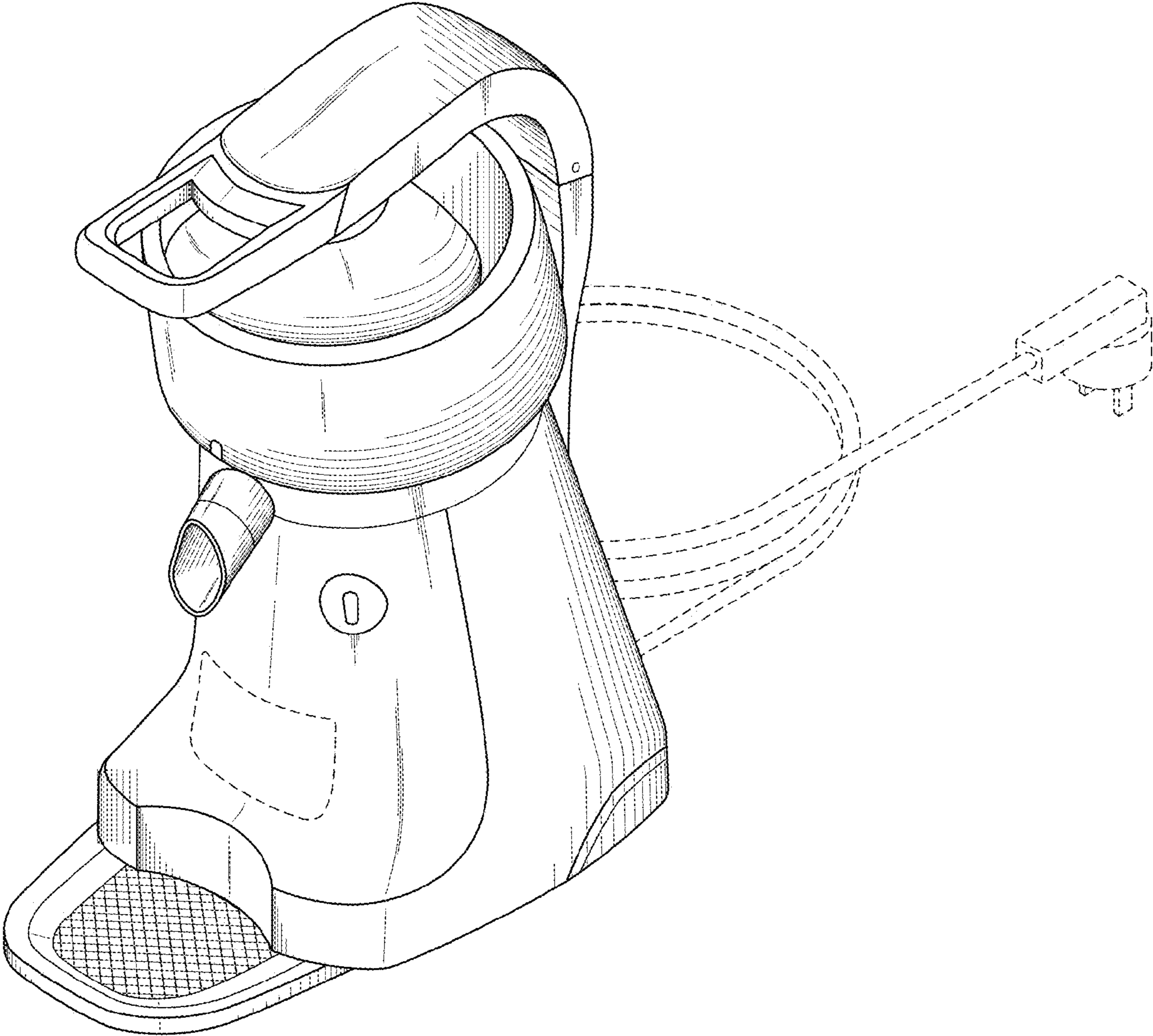


FIG. 1

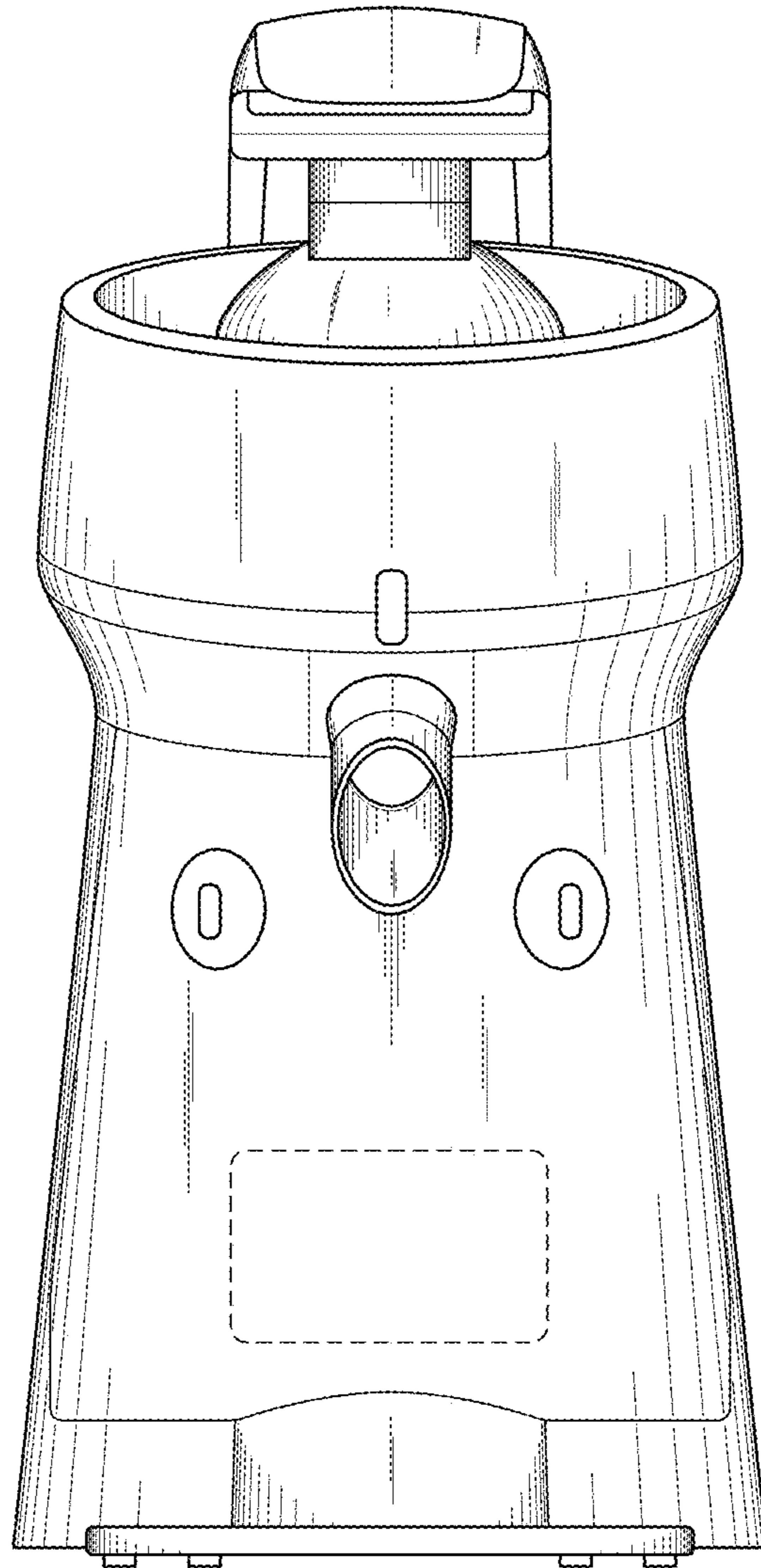


FIG. 2

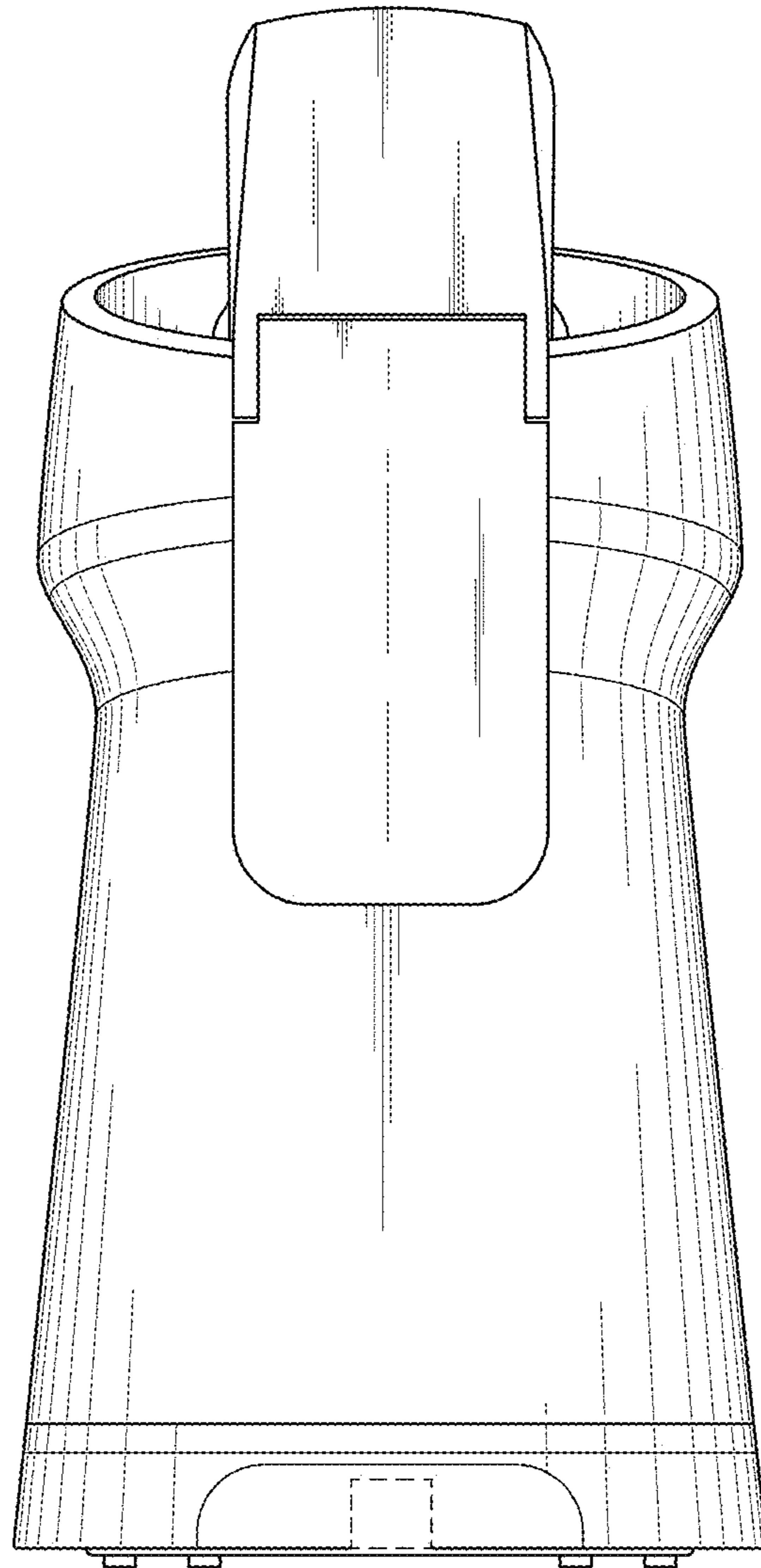


FIG. 3

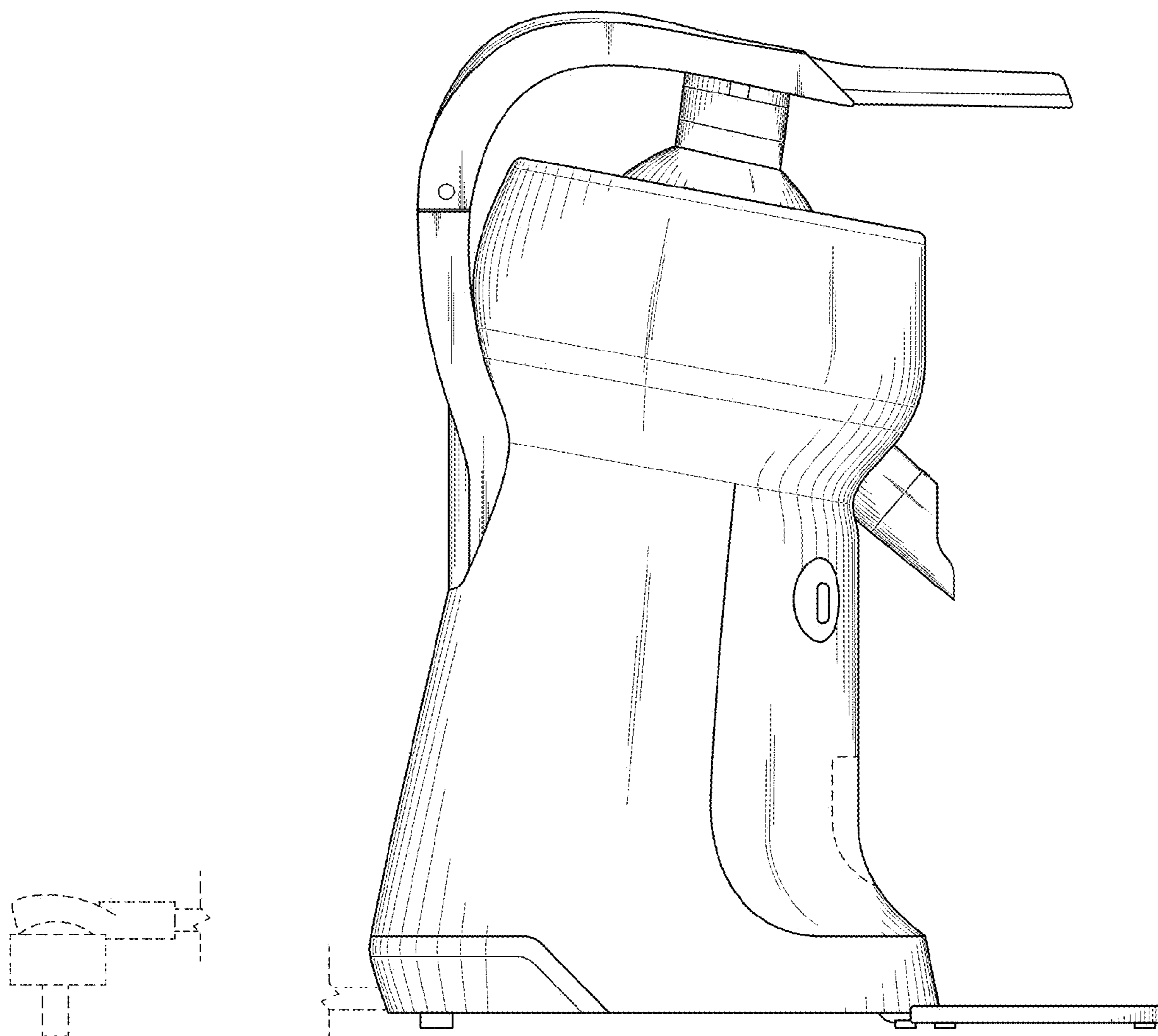


FIG. 4

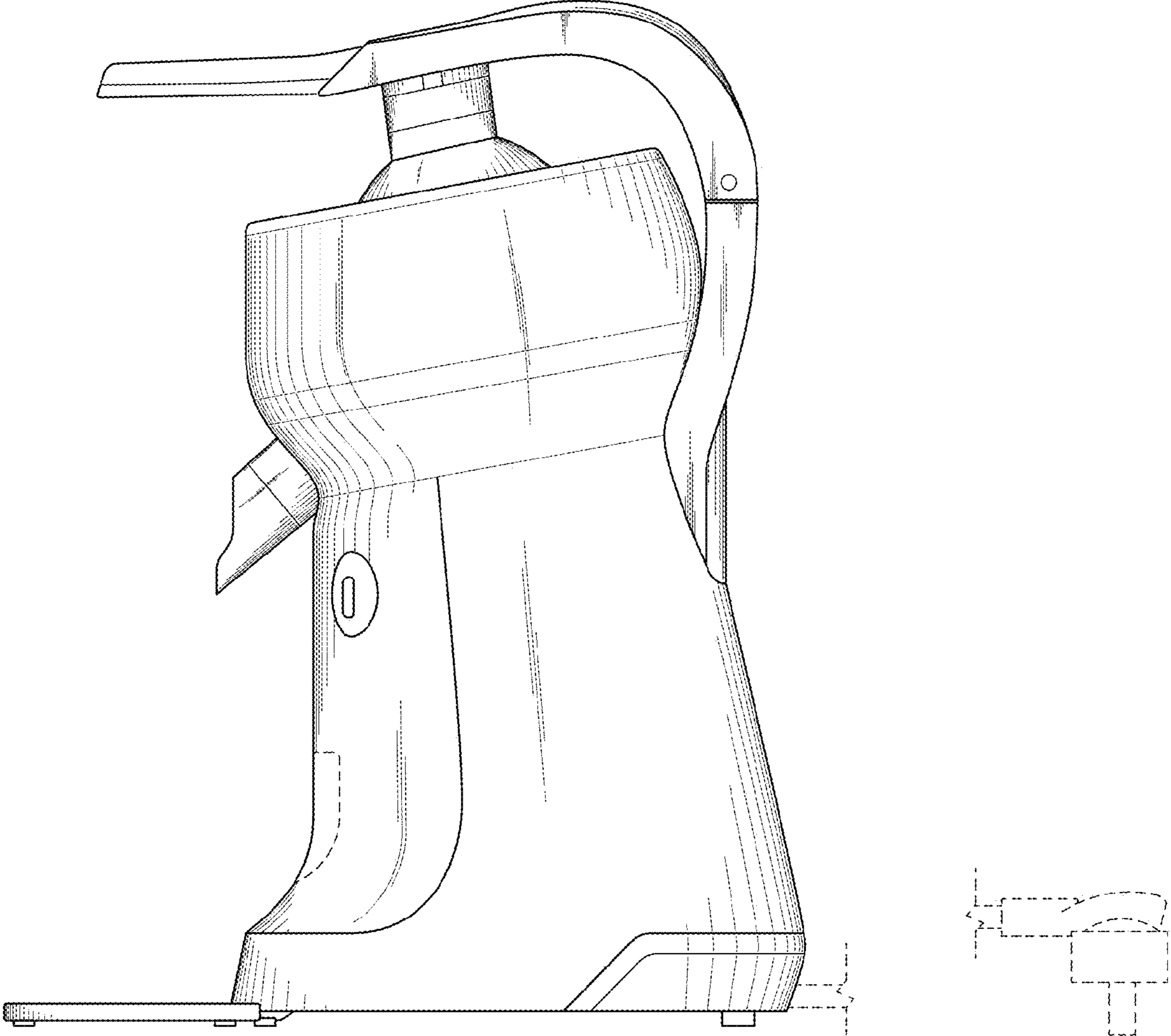


FIG. 5

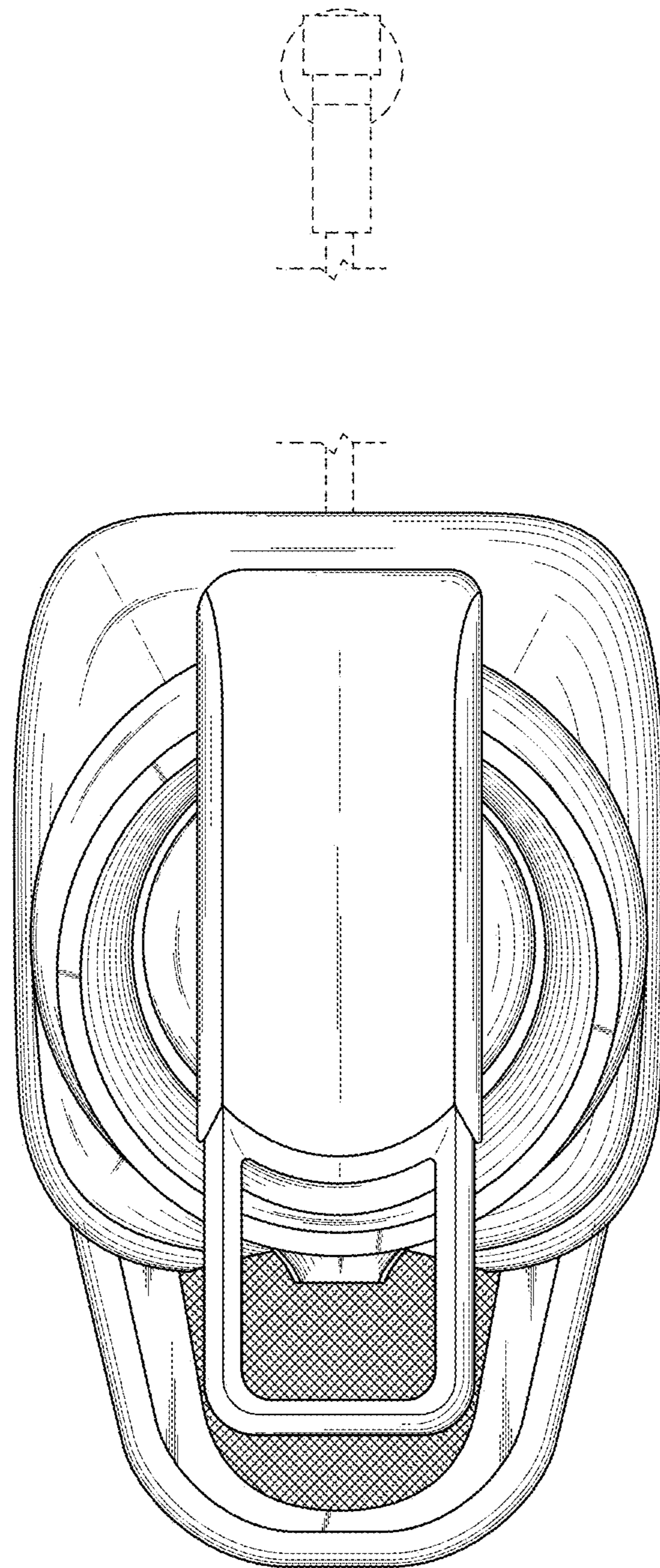


FIG. 6

UNITED STATES PATENT AND TRADEMARK OFFICE
CERTIFICATE OF CORRECTION

PATENT NO. : D935,851 S
APPLICATION NO. : 29/732653
DATED : November 16, 2021
INVENTOR(S) : Waldo Wouter Reijnders

Page 1 of 1

It is certified that error appears in the above-identified patent and that said Letters Patent is hereby corrected as shown below:

On the Title Page

Item (73), Column 1, Assignee, Line 1, after "B.V." insert -- (NL) --

Signed and Sealed this
Twenty-fifth Day of January, 2022



Drew Hirshfeld
*Performing the Functions and Duties of the
Under Secretary of Commerce for Intellectual Property and
Director of the United States Patent and Trademark Office*