



US00D935850S

(12) **United States Design Patent** (10) **Patent No.:** **US D935,850 S**
Plant (45) **Date of Patent:** **** Nov. 16, 2021**

(54) **SCABBARD**
(71) Applicant: **Fackelmann Housewares IP Pty Ltd,**
New South Wales (AU)
(72) Inventor: **Annette Plant,** New South Wales (AU)
(73) Assignee: **FACKELMANN HOUSEWARES IP**
PTY LTD, Kingsgrove (AU)
(**) Term: **15 Years**

4,805,350 A * 2/1989 Farrer B24D 15/084
451/555
D303,731 S * 10/1989 Blochlinger D3/220
D374,981 S * 10/1996 Hainsworth D3/220
5,784,786 A * 7/1998 Williams B26B 29/025
30/138
D411,948 S * 7/1999 Chipperfield D8/95
D724,312 S * 3/2015 Wikstrom D3/220
D738,617 S * 9/2015 Kidd D3/220
D789,077 S * 6/2017 Seo D3/220
D816,431 S * 5/2018 Yeh D7/638

(21) Appl. No.: **29/699,140**
(22) Filed: **Jul. 23, 2019**
(51) **LOC (13) Cl.** **07-99**
(52) **U.S. Cl.**
USPC **D7/638; D3/220**
(58) **Field of Classification Search**
USPC D3/220; D7/637-641; 206/349;
224/197-198, 232, 246, 269, 576;
30/138, 143, 151, 155, 298.4; 24/3.1,
24/3.11; 451/555; 264/325; D8/65,
D8/95-97; D22/118
CPC .. A22B 3/00; A22B 3/10; B26B 29/00; B26B
29/02; B26B 29/025; B24D 15/00; B24D
15/08
See application file for complete search history.

OTHER PUBLICATIONS

Traditional Khukuri Scabbard (DAP/Sheath) . . . <https://www.khukurihouseonline.com/traditional-khukuri-scabbard> (DAP—Sheath) 1999-2021.*

* cited by examiner

Primary Examiner — Catherine R Oliver-Garcia
(74) *Attorney, Agent, or Firm* — Wagenknecht IP Law Group PC

(57) **CLAIM**

The ornamental design for a scabbard, as shown and described.

DESCRIPTION

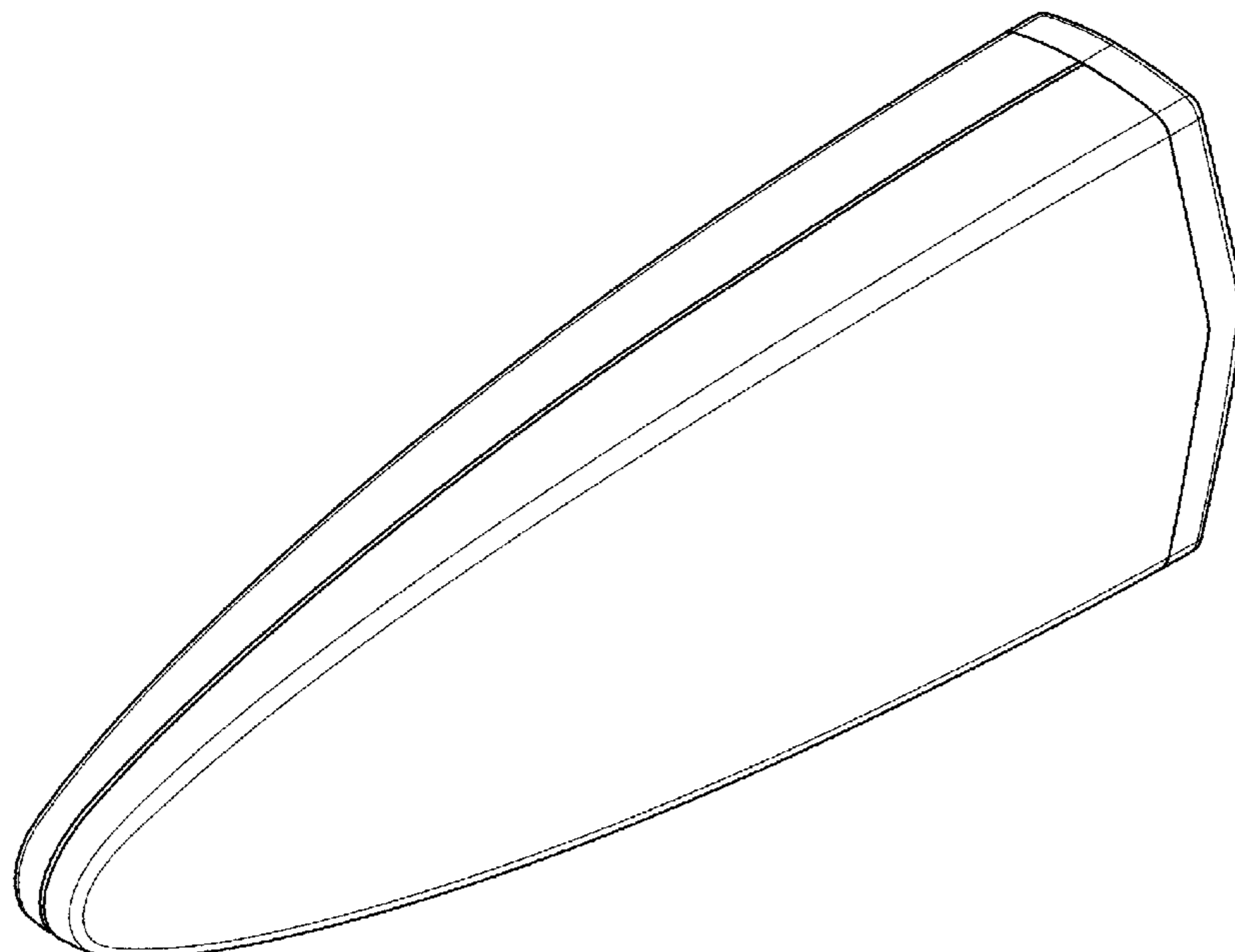
FIG. 1 is a top plan view of a scabbard showing my new design;
FIG. 2 is a bottom plan view thereof;
FIG. 3 is a front elevational view thereof;
FIG. 4 is a rear elevational view thereof;
FIG. 5 is a right side elevational view thereof;
FIG. 6 is a left side elevational view thereof;
FIG. 7 is a front, left and top perspective view thereof; and,
FIG. 8 is a rear, left, and top perspective view thereof.

1 Claim, 5 Drawing Sheets

(56) **References Cited**

U.S. PATENT DOCUMENTS

2,361,735 A * 10/1944 Beckwith F41B 13/04
224/232
D146,222 S * 1/1947 Hvale D7/641
2,538,424 A * 1/1951 Moehle F41B 13/04
224/232
D225,559 S * 12/1972 Bayly D7/638
D265,147 S * 6/1982 Jackson D3/220
D296,498 S * 7/1988 Collins D3/220



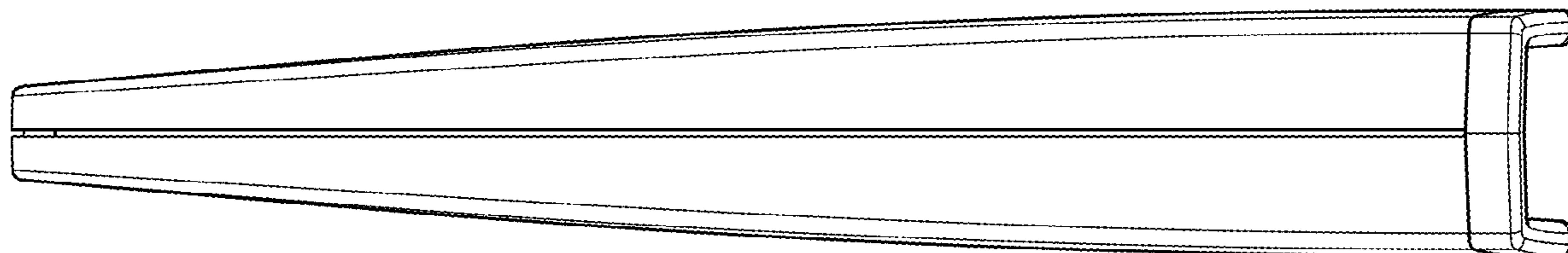


FIG. 1

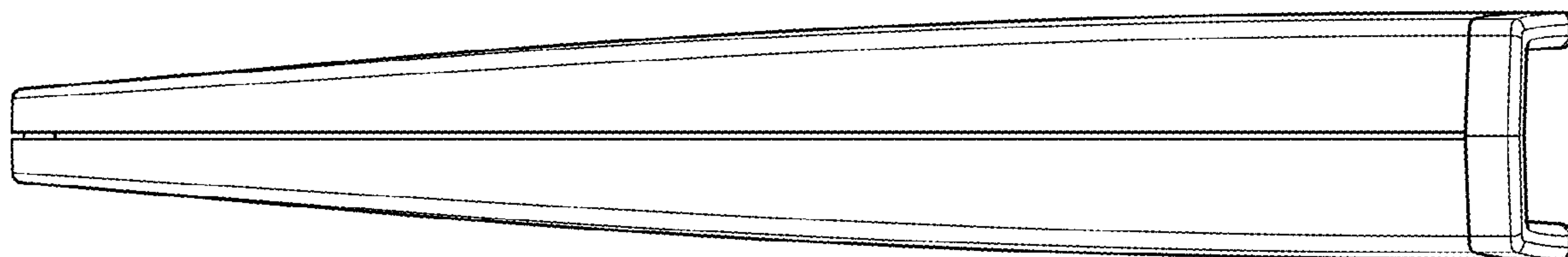


FIG. 2

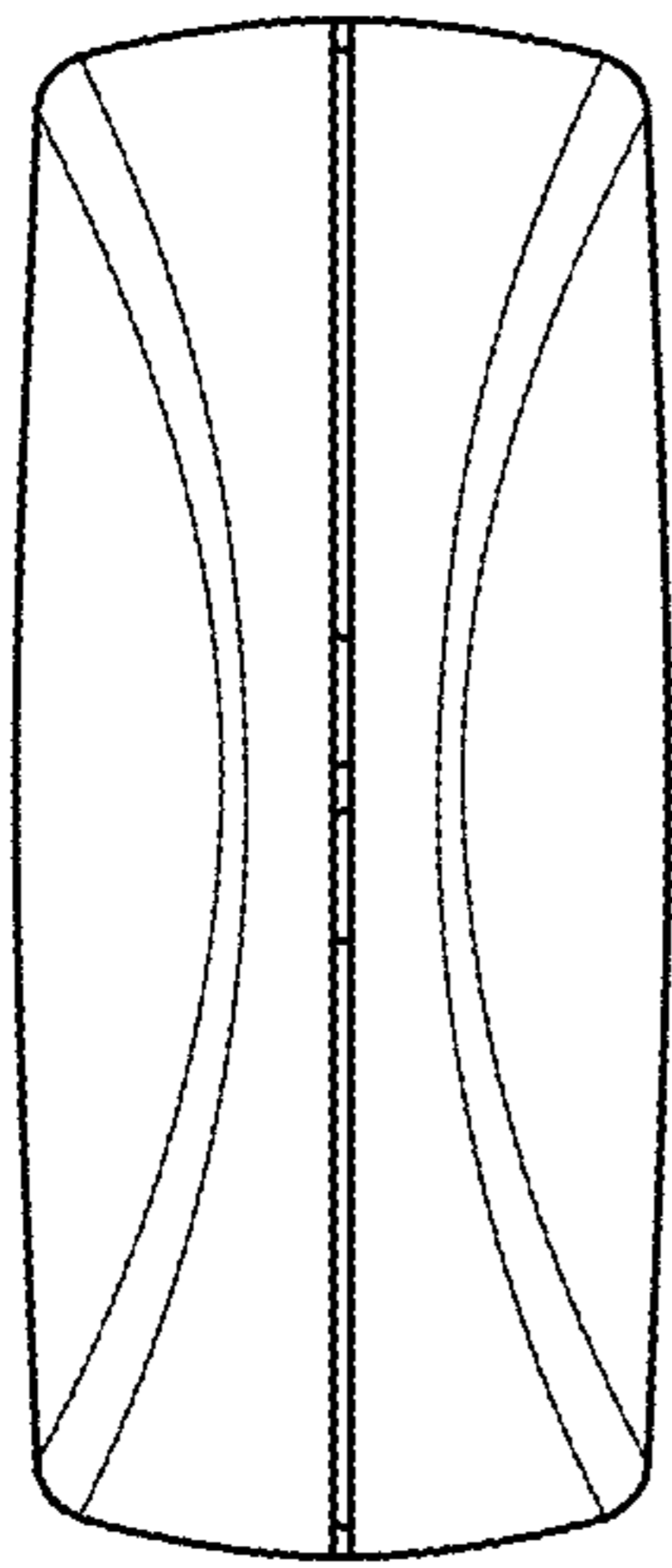


FIG. 3

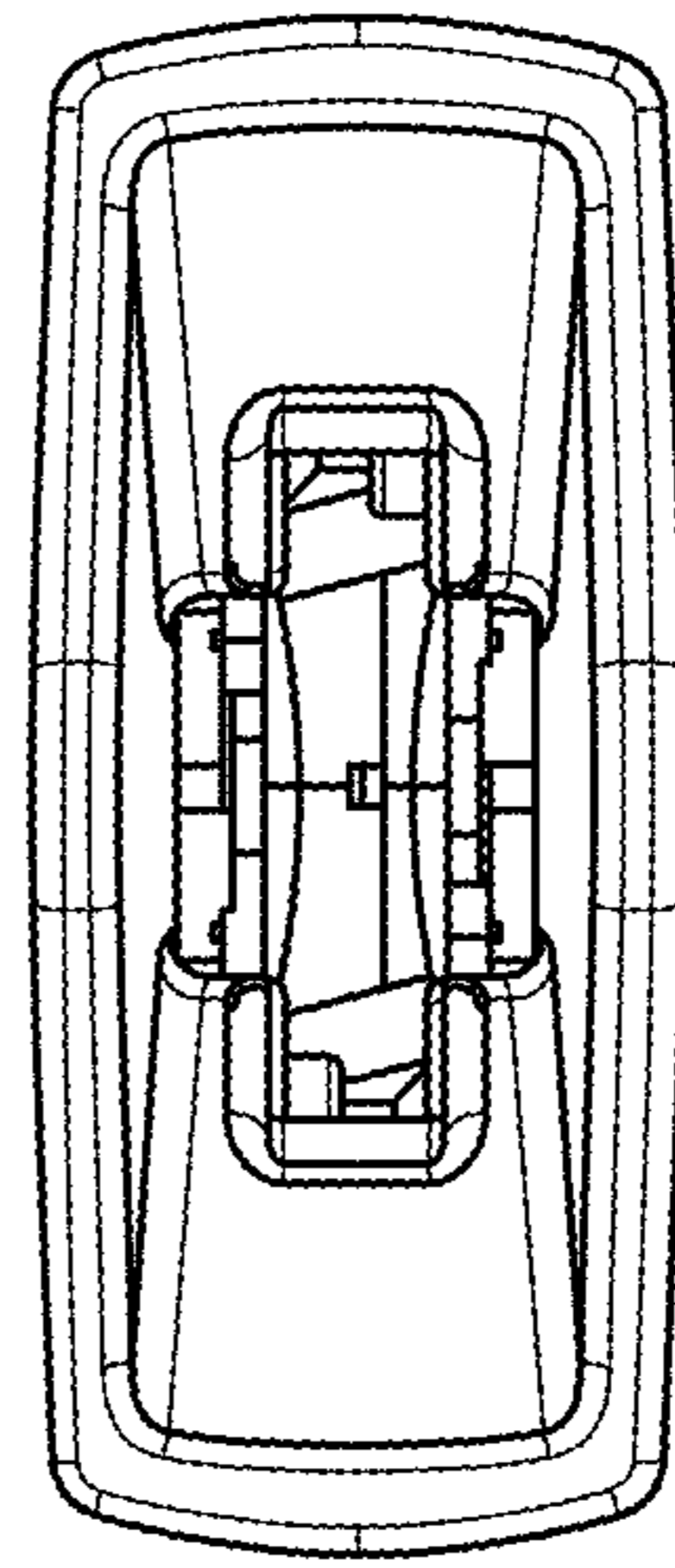


FIG. 4

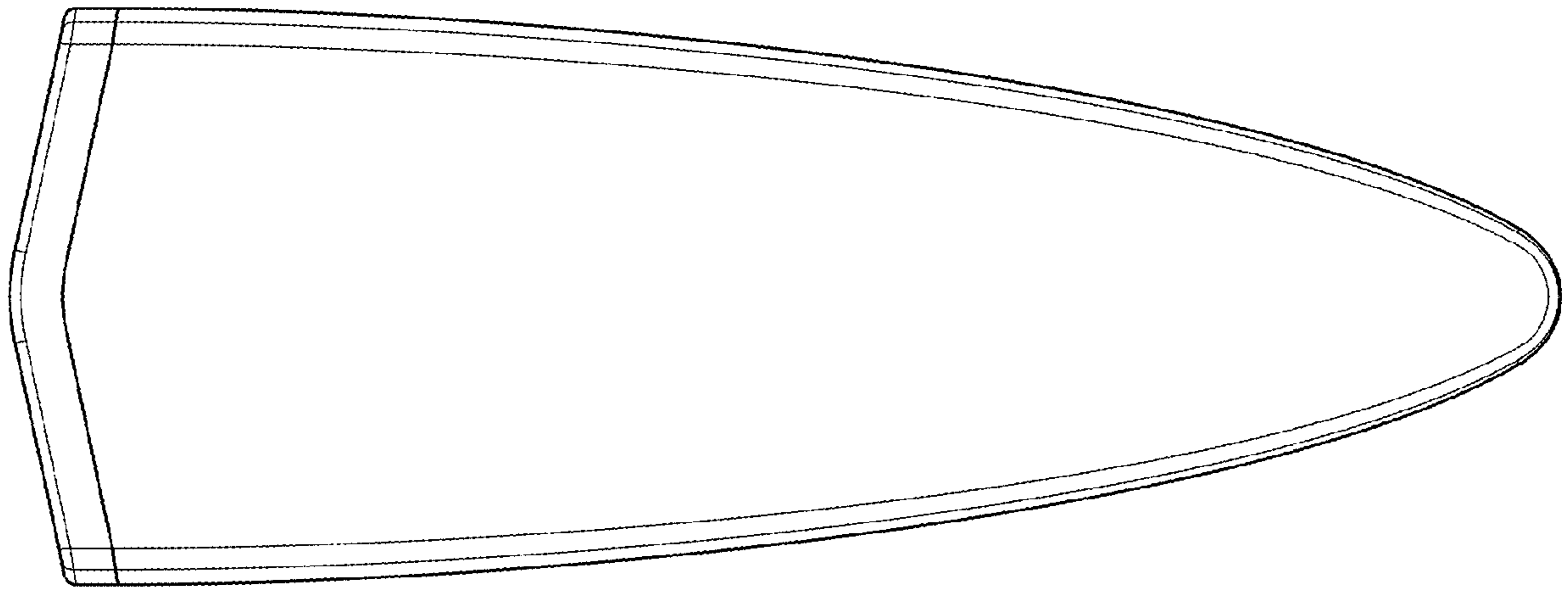


FIG. 5

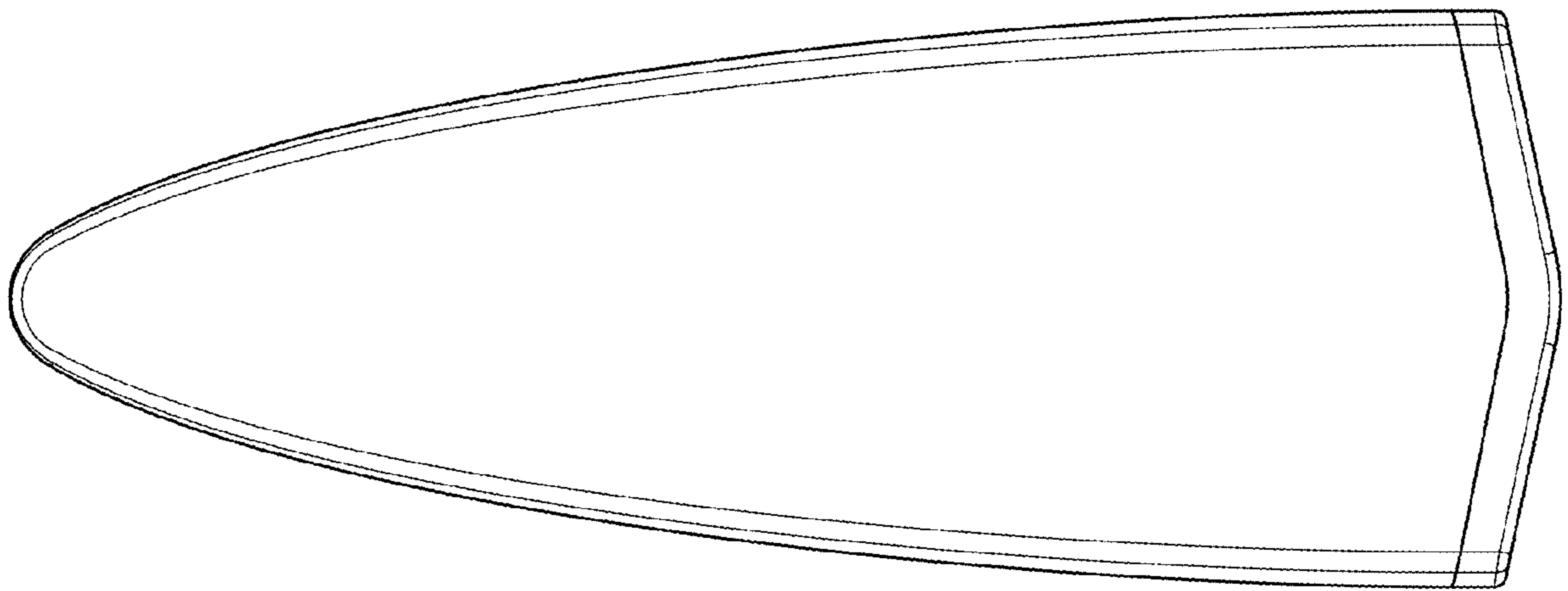


FIG. 6

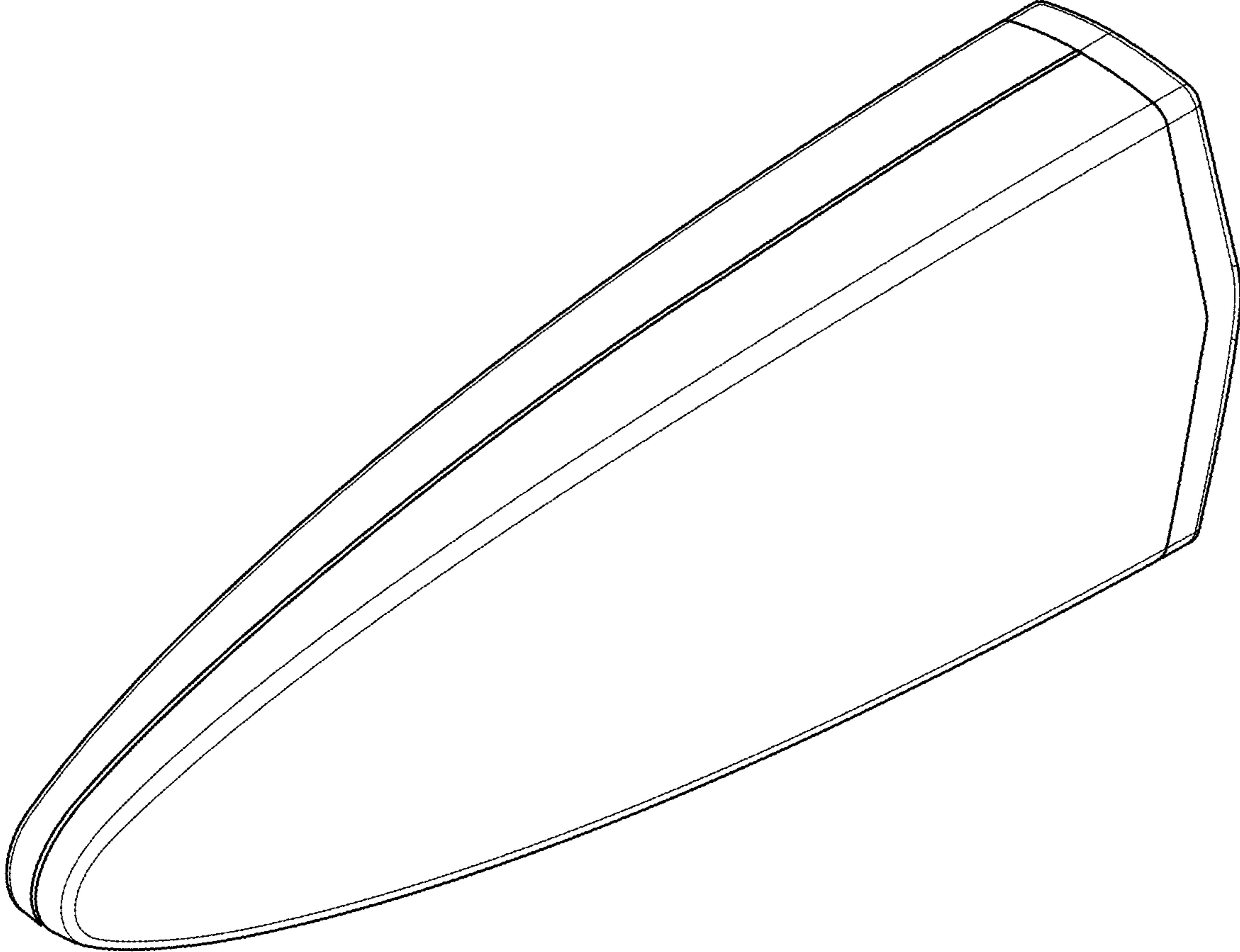


FIG. 7

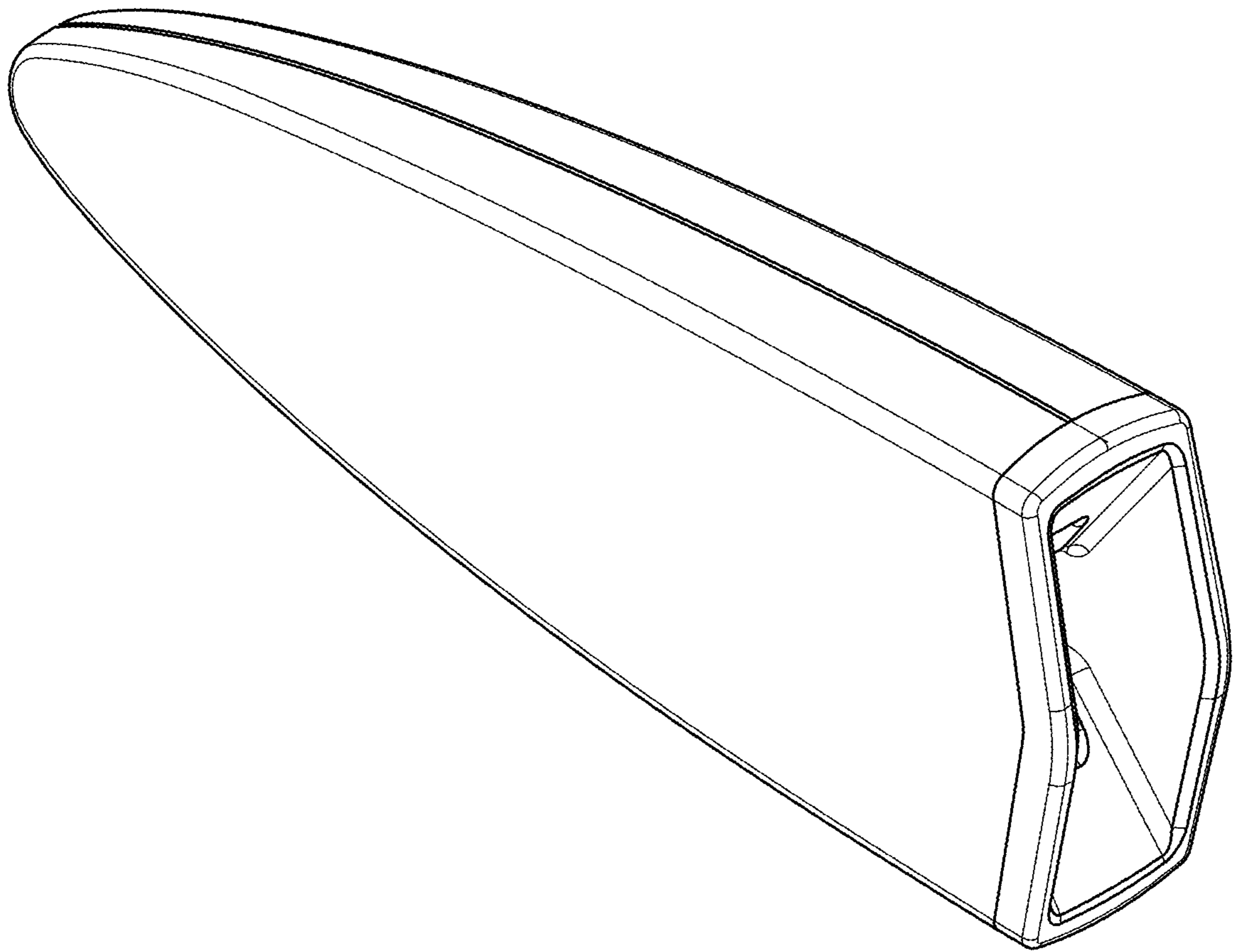


FIG. 8