



US00D935847S

(12) **United States Design Patent** (10) **Patent No.:** **US D935,847 S**
Smith et al. (45) **Date of Patent:** **** Nov. 16, 2021**

(54) **BEVERAGE CONTAINER**

(71) Applicant: **Pacific Market International, LLC**,
Seattle, WA (US)
(72) Inventors: **Ryan M. Smith**, Seattle, WA (US);
Matthew Kenneth Dolph, Seattle, WA
(US)
(73) Assignee: **Pacific Market International, LLC**,
Seattle, WA (US)

(**) Term: **15 Years**

(21) Appl. No.: **29/716,833**

(22) Filed: **Dec. 12, 2019**

(51) **LOC (13) Cl.** **07-01**

(52) **U.S. Cl.**
USPC **D7/536**; D7/510; D7/622

(58) **Field of Classification Search**
USPC D7/300, 300.1, 392, 392.1, 396.1, 396.2,
D7/396.3, 413, 501-505, 507, 509-513,
(Continued)

(56) **References Cited**

U.S. PATENT DOCUMENTS

D27,456 S * 8/1897 West D7/511
D230,239 S * 2/1974 Dodge D7/536
(Continued)

FOREIGN PATENT DOCUMENTS

CN 302228821 * 12/2012
CN 305062039 * 3/2019
(Continued)

OTHER PUBLICATIONS

Ebay, "Budweiser 2008 Anheuser Busch Employee Association
Holiday Stein," Nov. 22, 2014, WorthPoint, www.worthpoint.com/
worthopedia/budweiser-2008-anheuser-busch-1695029205 (Year:
2014).*

(Continued)

Primary Examiner — Shannon W Morgan
Assistant Examiner — Arva P Adams
(74) *Attorney, Agent, or Firm* — George C. Rondeau, Jr.;
Davis Wright Tremaine LLP

(57) **CLAIM**

The ornamental design for a beverage container, as shown
and described.

DESCRIPTION

FIG. 1 is a top perspective view of a beverage container
showing our new design.

FIG. 2 is a bottom perspective view thereof.

FIG. 3 is a left side elevational view thereof.

FIG. 4 is a rear elevational view thereof.

FIG. 5 is a front elevational view thereof.

FIG. 6 is a right side elevational view thereof.

FIG. 7 is a top plan view thereof.

FIG. 8 is a bottom plan view thereof.

FIG. 9 is a top perspective view of a second embodiment
thereof.

FIG. 10 is a bottom perspective view thereof.

FIG. 11 is a left side elevational view thereof.

FIG. 12 is a rear elevational view thereof.

FIG. 13 is a front elevational view thereof.

FIG. 14 is a right side elevational view thereof.

FIG. 15 is a top plan view thereof.

FIG. 16 is a bottom plan view thereof.

FIG. 17 is a top perspective view of a third embodiment
thereof.

FIG. 18 is a bottom perspective view thereof.

FIG. 19 is a left side elevational view thereof.

FIG. 20 is a rear elevational view thereof.

FIG. 21 is a front elevational view thereof.

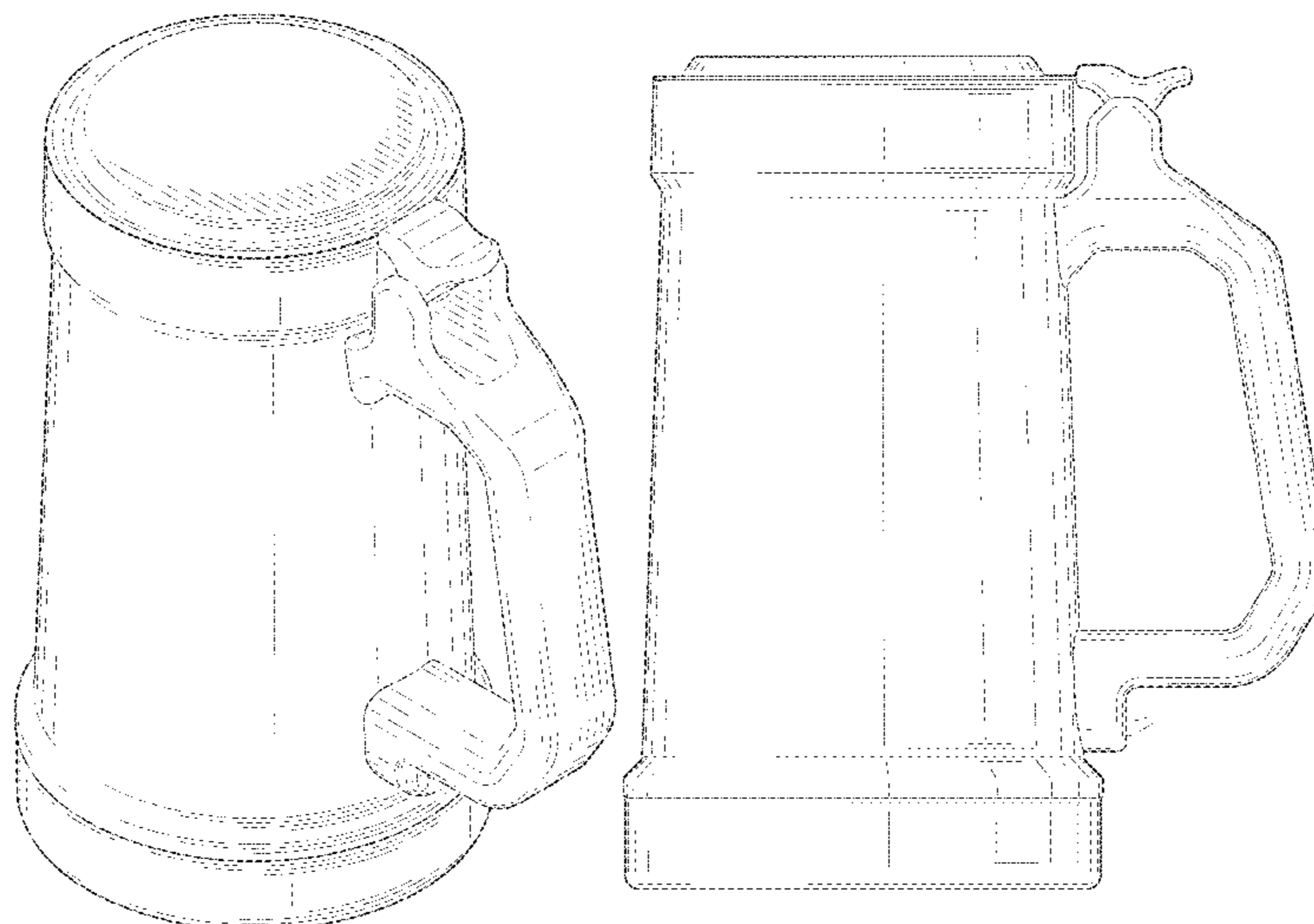
FIG. 22 is a right side elevational view thereof.

FIG. 23 is a top plan view thereof; and,

FIG. 24 is a bottom plan view thereof.

The broken lines depict portions of the beverage container
that form no part of the claimed design.

1 Claim, 21 Drawing Sheets



(58) **Field of Classification Search**

USPC D7/515, 516, 519, 522-524, 525, 528,
 D7/529, 532, 533, 536, 537, 584, 591,
 D7/608, 624.1, 624.2, 624.3, 716, 900;
 D9/447, 500, 527, 777, 780
 CPC D65D 23/10; A47G 19/22; A47G 19/2205;
 A47G 19/2211; A47G 19/2255; A47G
 19/2261; A47G 19/2266; A47G 19/2227;
 A47G 19/2272; A47G 19/2288; A47G
 23/0216; A47G 23/0241; A47G 23/0258;
 B65D 81/3865; B65D 1/265; A45F 3/16;
 A47J 41/0088

See application file for complete search history.

(56) **References Cited**

U.S. PATENT DOCUMENTS

3,791,159 A * 2/1974 Devlin A47G 19/2205
 62/68
 D246,882 S * 1/1978 Thrush D7/536
 D258,484 S * 3/1981 Slepicka D7/511
 D258,795 S * 4/1981 Zamorski D7/536
 D275,253 S * 8/1984 Durand D7/530
 D275,438 S * 9/1984 Everson A47G 19/2205
 D14/208
 4,928,848 A * 5/1990 Ballway A47G 19/2205
 215/12.1
 4,984,707 A * 1/1991 Fierthaler A47G 19/2205
 200/217
 D375,869 S * 11/1996 Canela D7/507
 D376,728 S * 12/1996 Richards, Sr. D7/507
 D383,039 S * 9/1997 Densmore D7/533
 D384,246 S * 9/1997 McKnight D7/509
 D385,460 S * 10/1997 Driska D7/511
 D401,809 S * 12/1998 Reed A47G 19/2205
 D7/510

D650,236 S * 12/2011 Schmidt D7/536
 D720,187 S * 12/2014 Romley D7/536
 D733,499 S * 7/2015 Perman D7/536
 D751,343 S * 3/2016 Chen D7/509
 D808,735 S * 1/2018 Beckman A47G 19/2205
 D7/608
 D837,597 S * 1/2019 Silsby D7/511
 D837,601 S * 1/2019 Silsby D7/536
 D883,748 S * 5/2020 Rostohar D7/533
 D907,956 S * 1/2021 Silsby D7/394
 D914,454 S * 3/2021 Silsby D7/510

FOREIGN PATENT DOCUMENTS

CN 305069202 * 3/2019
 JP D1483262 * 11/2013
 JP D1629181 * 4/2019
 WO WO-D076989-002 * 10/2011

OTHER PUBLICATIONS

Ebay, "Antique German Beer Stein Ceramic 1899," May 20, 2017, WorthPoint, www.worthpoint.com/worthopedia/antique-german-beer-stein-ceramic-1856180895 (Year: 2017).*

San Jamar, "San Jamar PPP60 Perfect Pour Shatter-Resistant Beer Pitcher," Nov. 1, 2017, Amazon.com, www.amazon.com/dp/B0773MQYGC (Year: 2017).*

Stanley, "Stanley Classic Vacuum Never Flat Stein," Jun. 10, 2019, Amazon.com, www.amazon.com/dp/B07L6NHSN2 (Year: 2019).*

Reckziegel, Kurt, "Early Draught #7: Four Loco reviews, Willy Wonka wannabes, and dragons. Yep, dragons." Nov. 20, 2020, Early Draught, <https://earlydraught.substack.com/p/early-draught-7-four-loko-reviews> (Year: 2020).*

Stanley SS Classic Stein, 1 page, product publicly disclosed on year prior to Dec. 12, 2019.

* cited by examiner

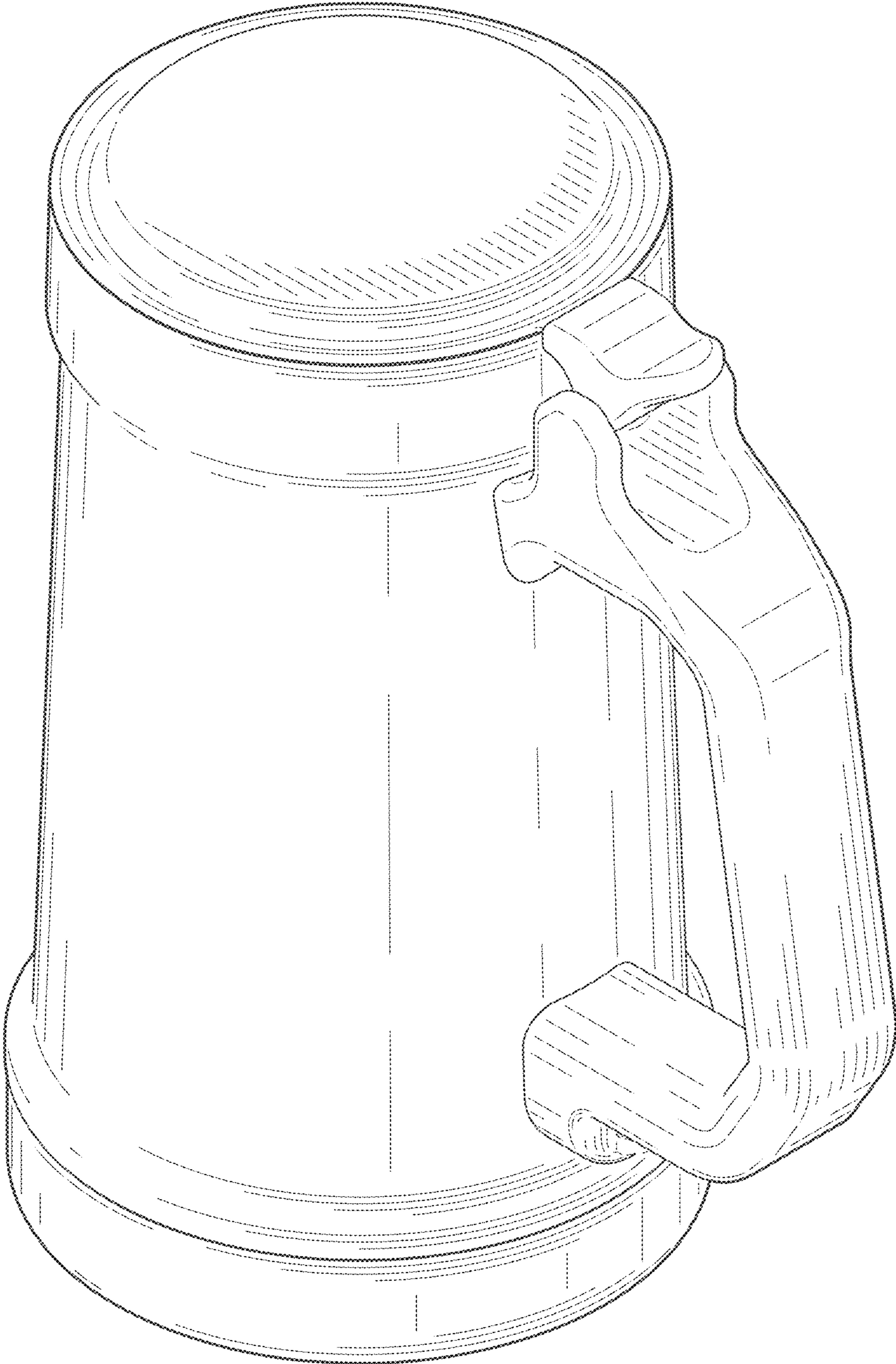


FIG. 1

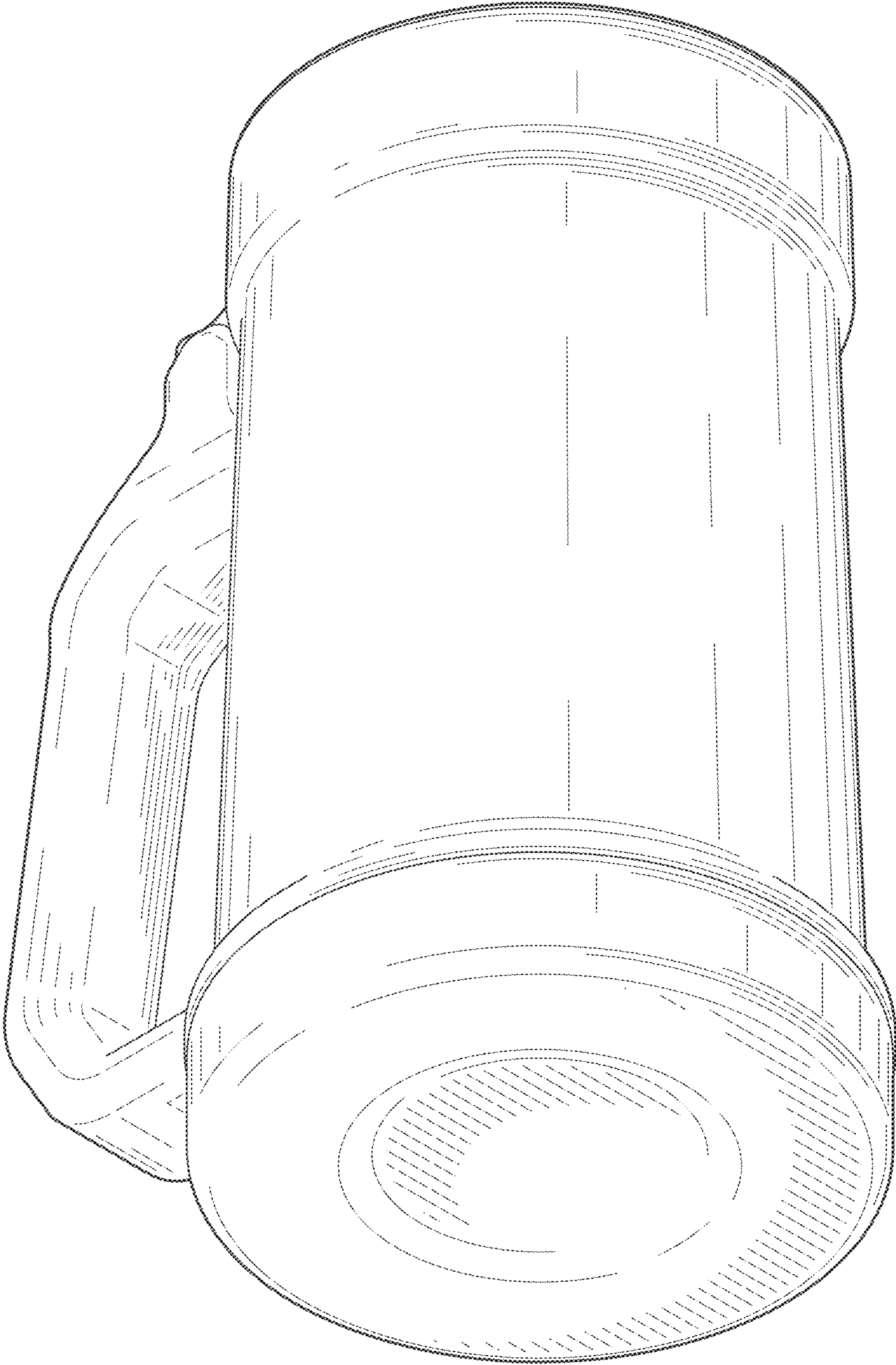


FIG. 2

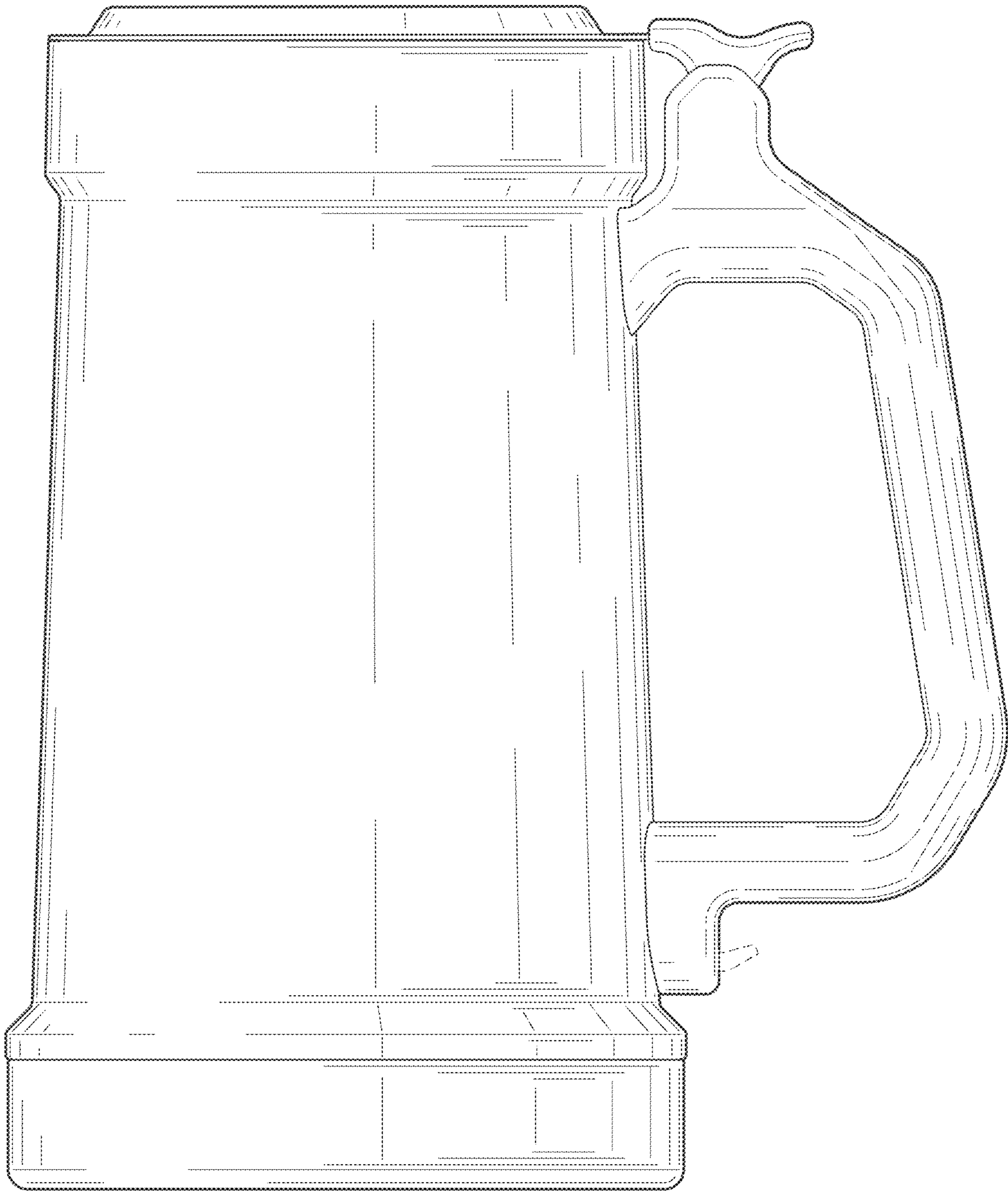


FIG. 3

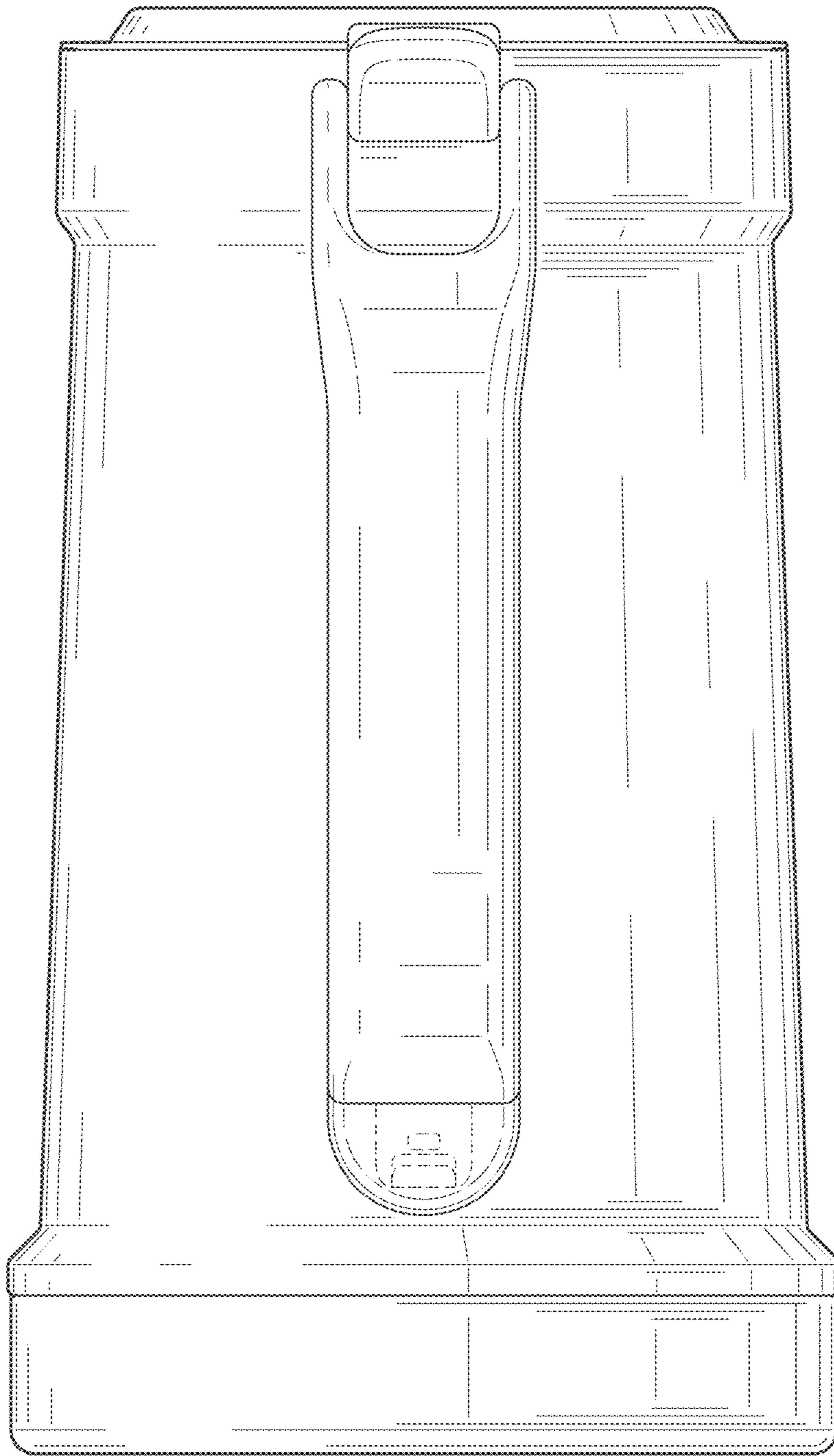


FIG. 4

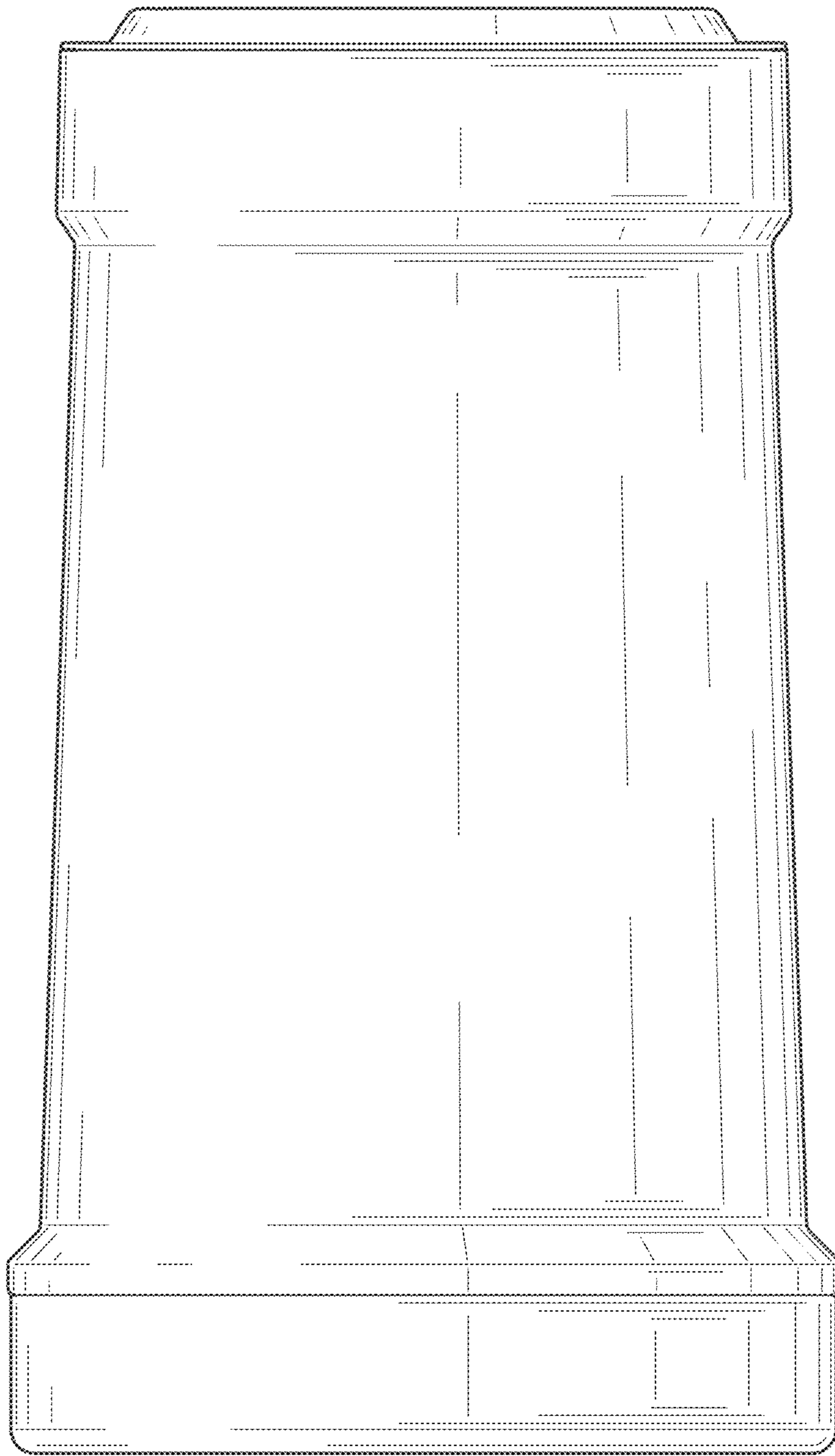


FIG. 5

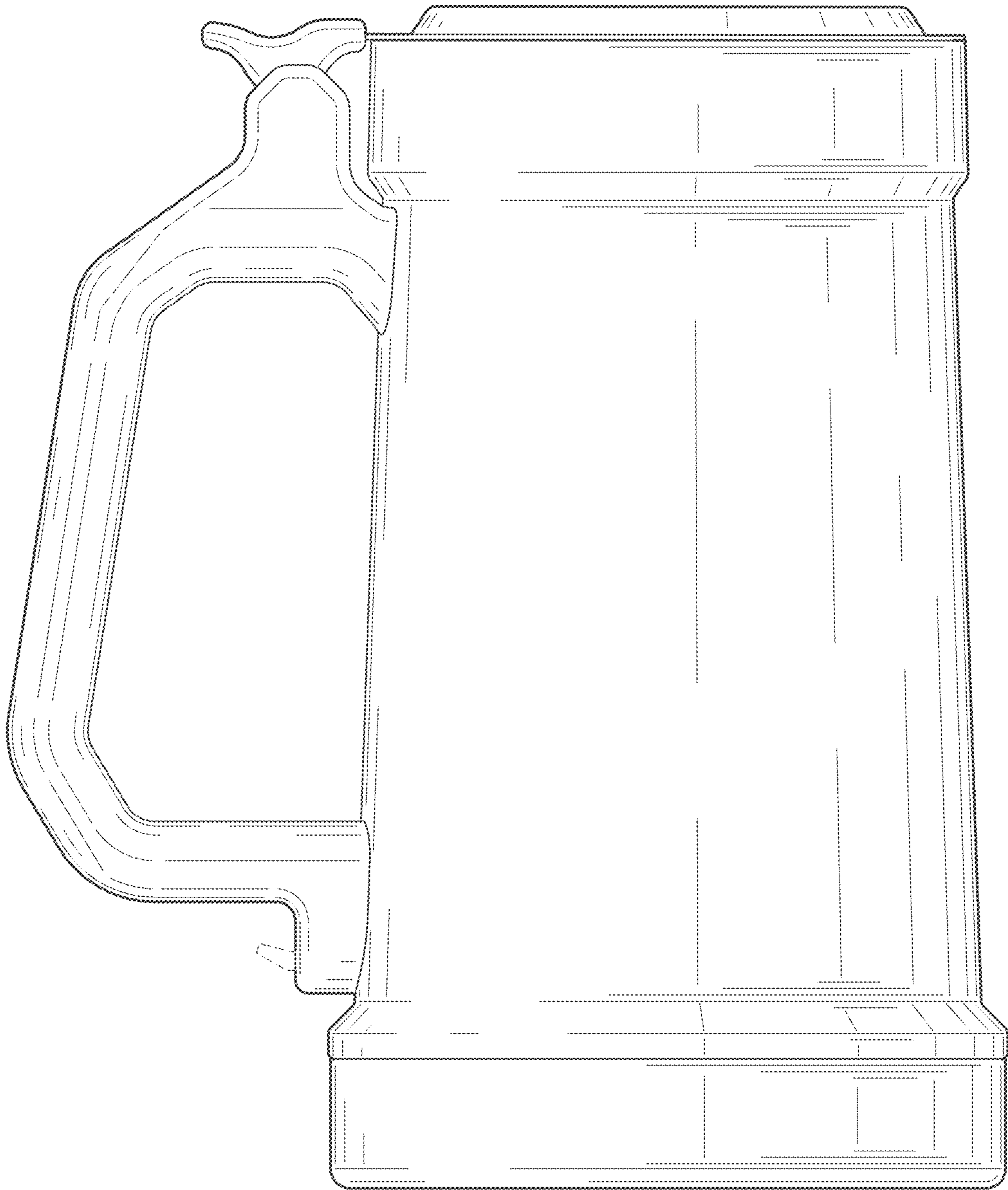


FIG. 6

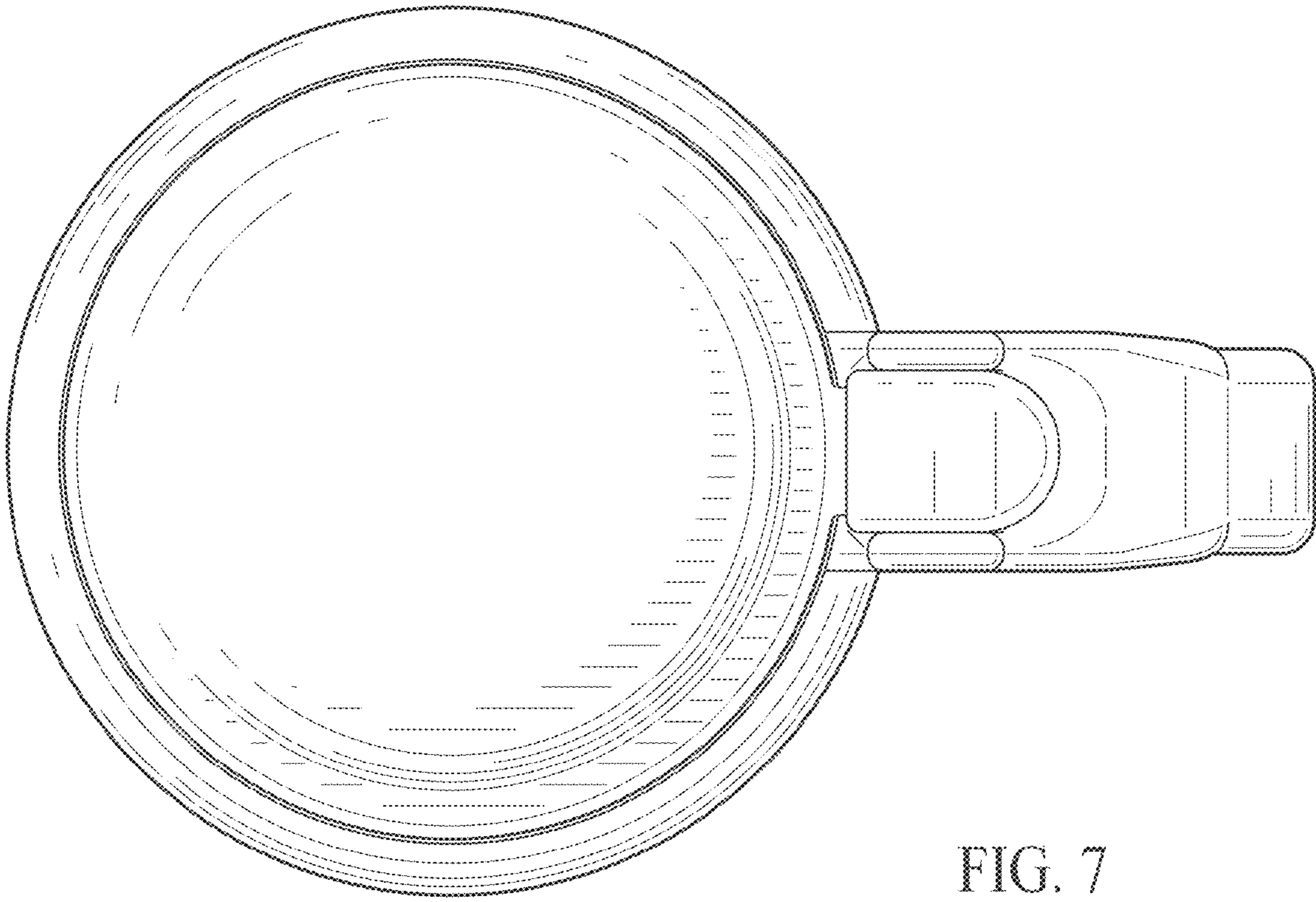


FIG. 7

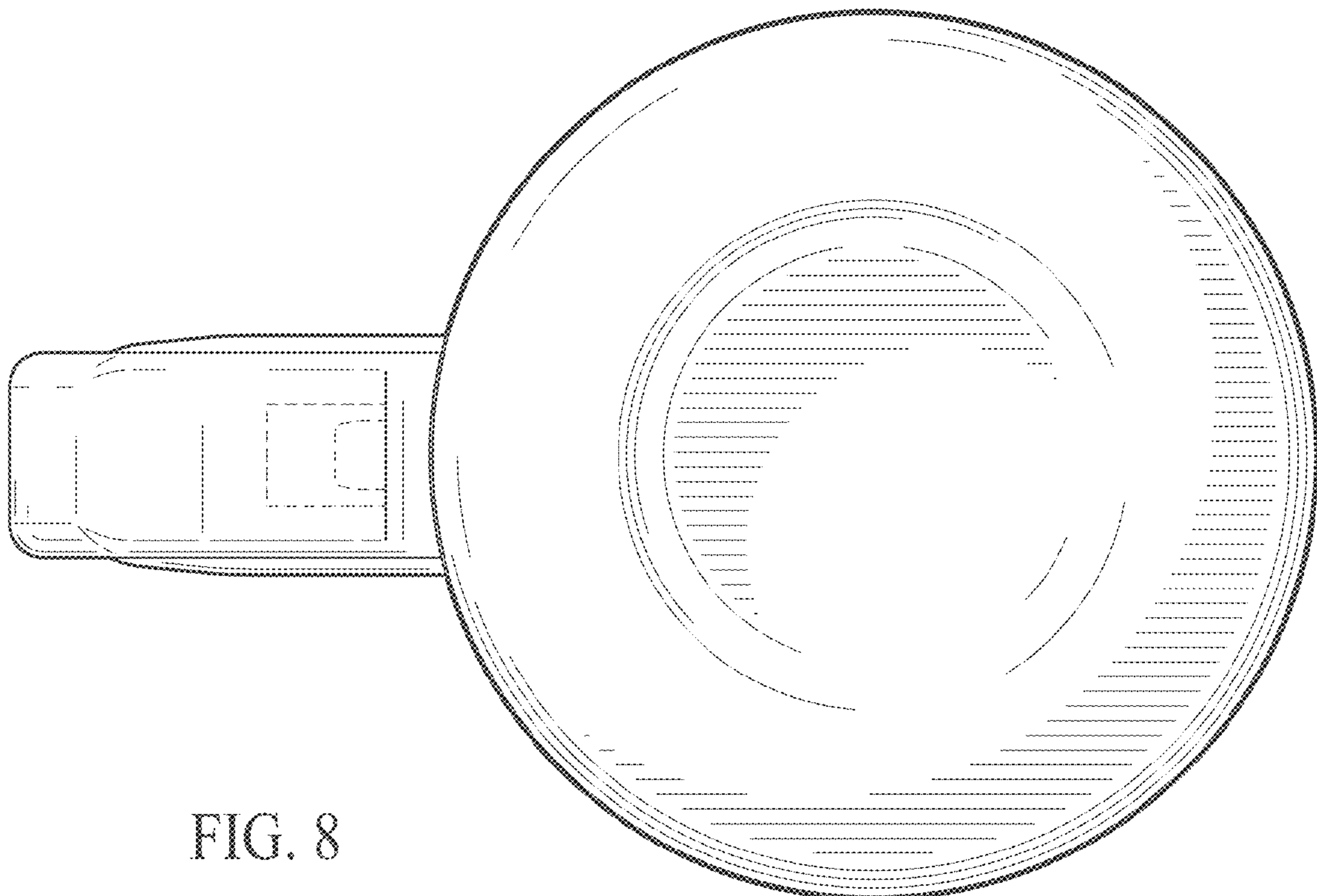


FIG. 8

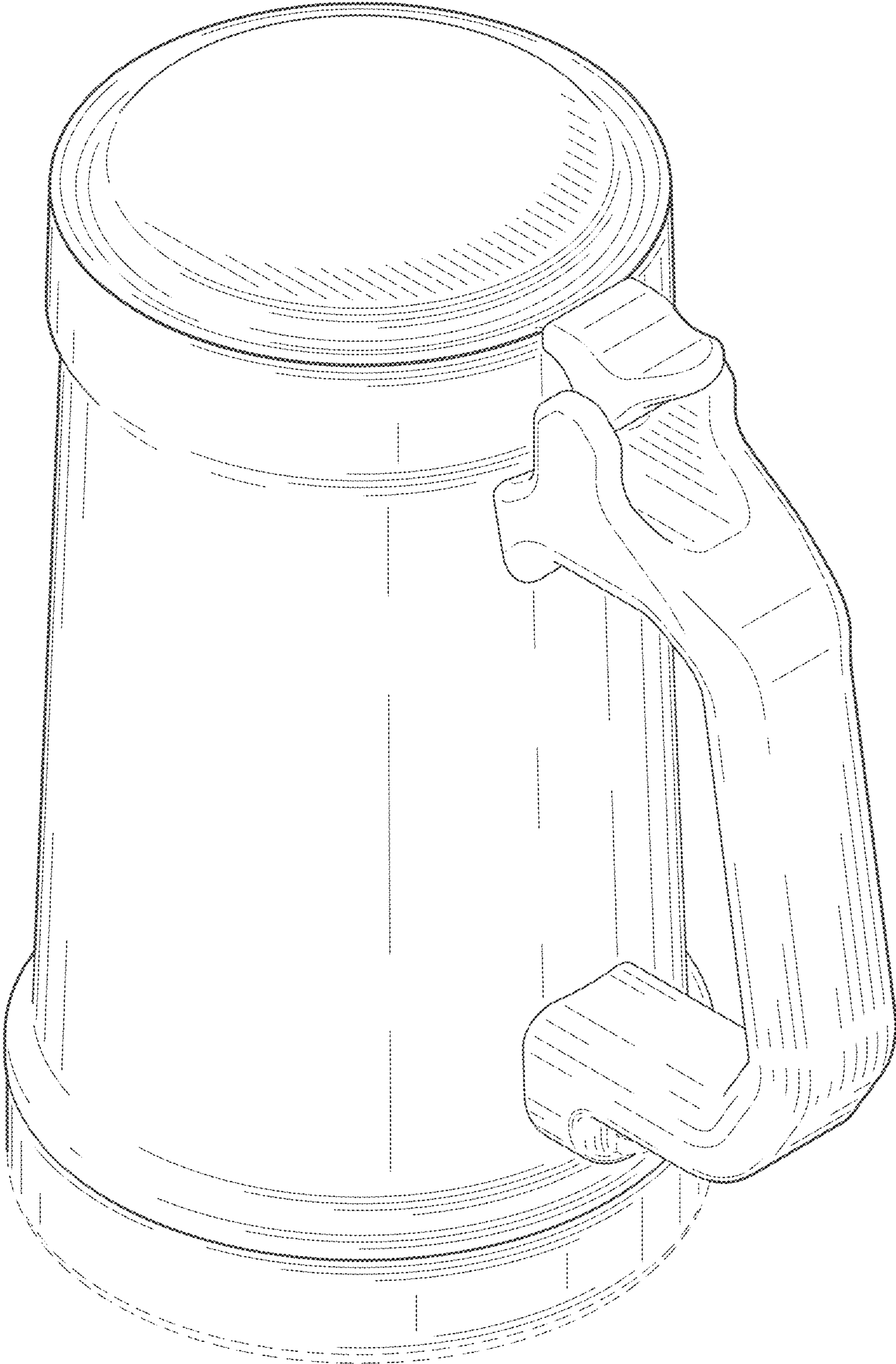


FIG. 9

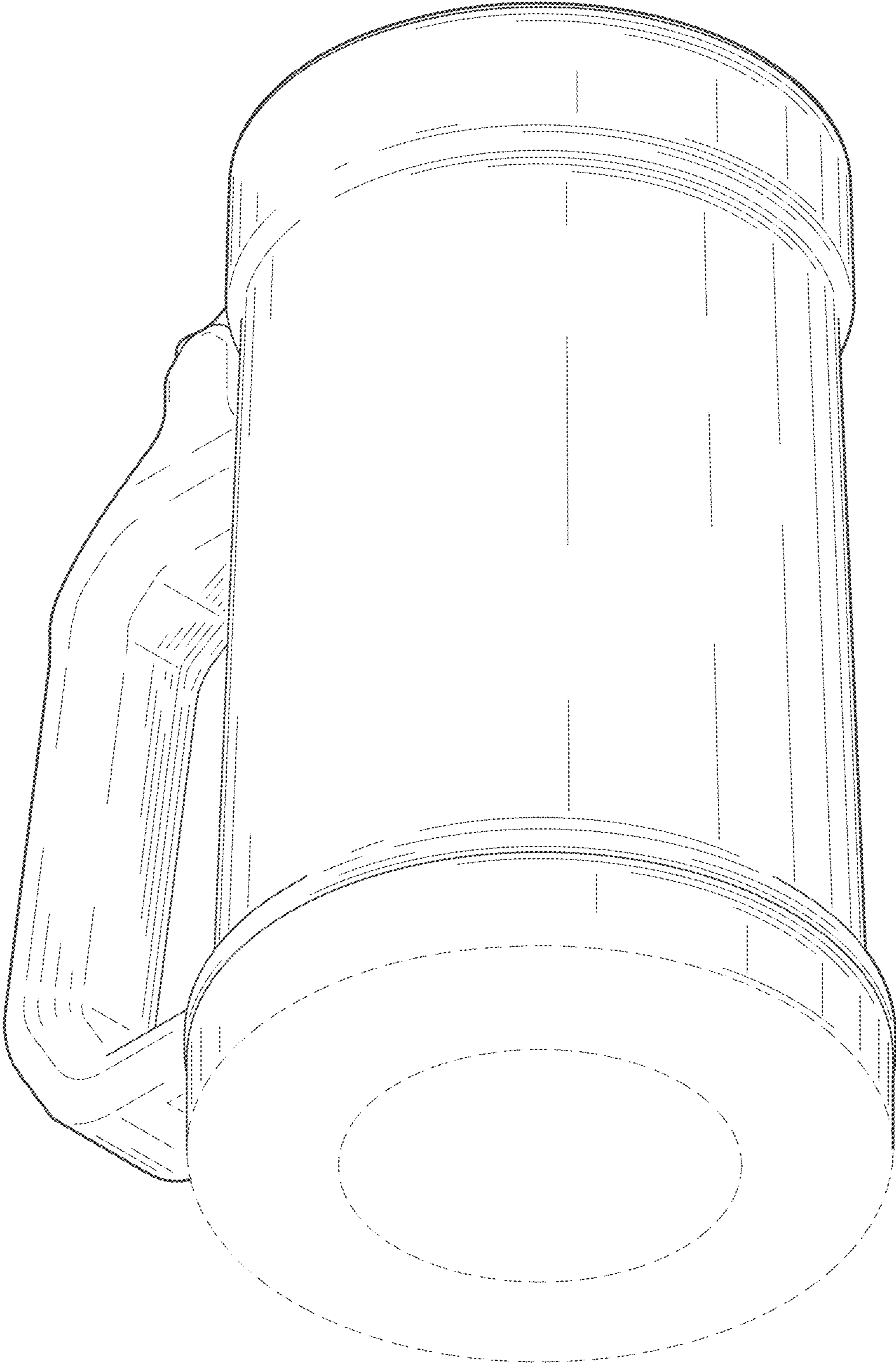


FIG. 10

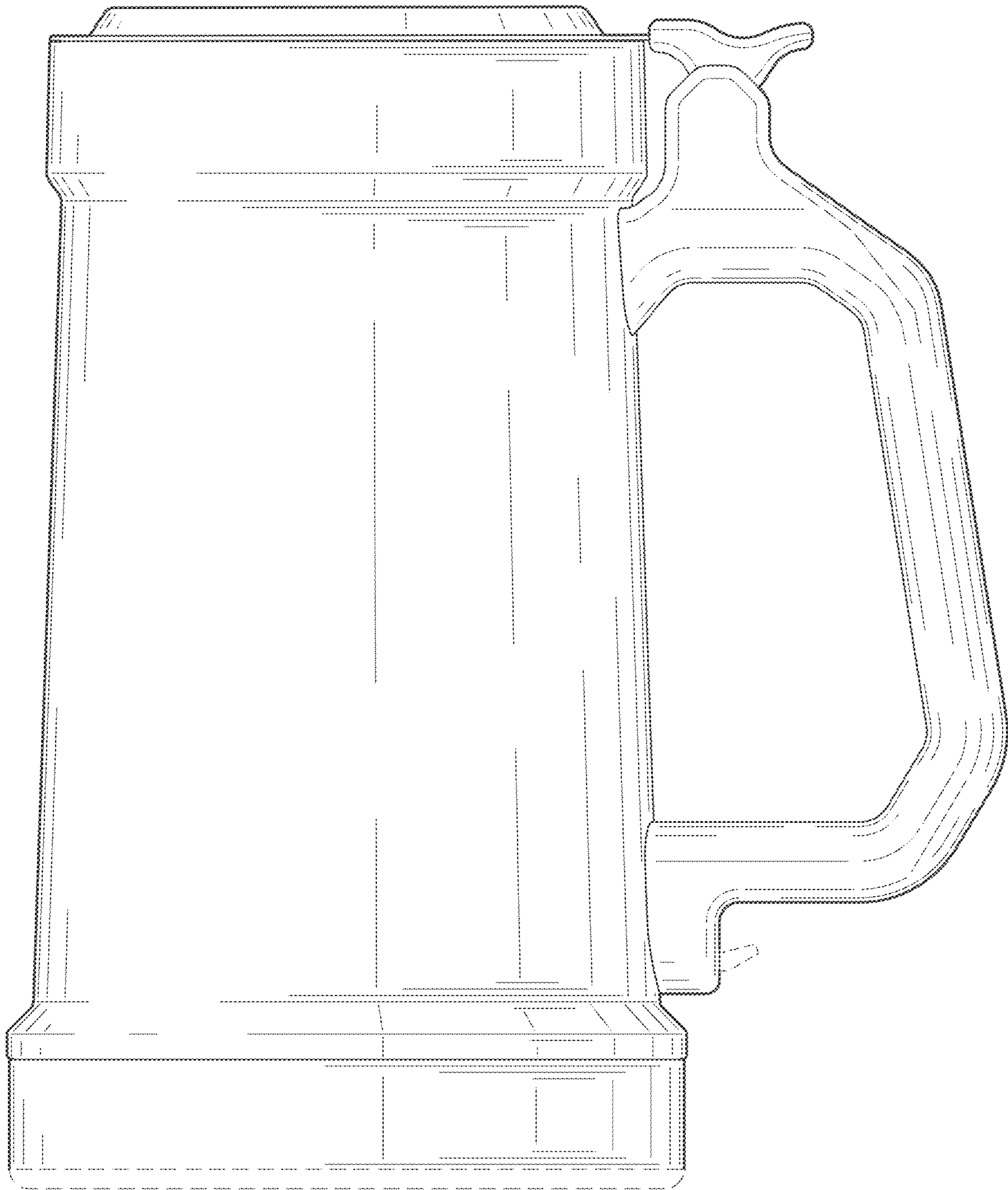


FIG. 11

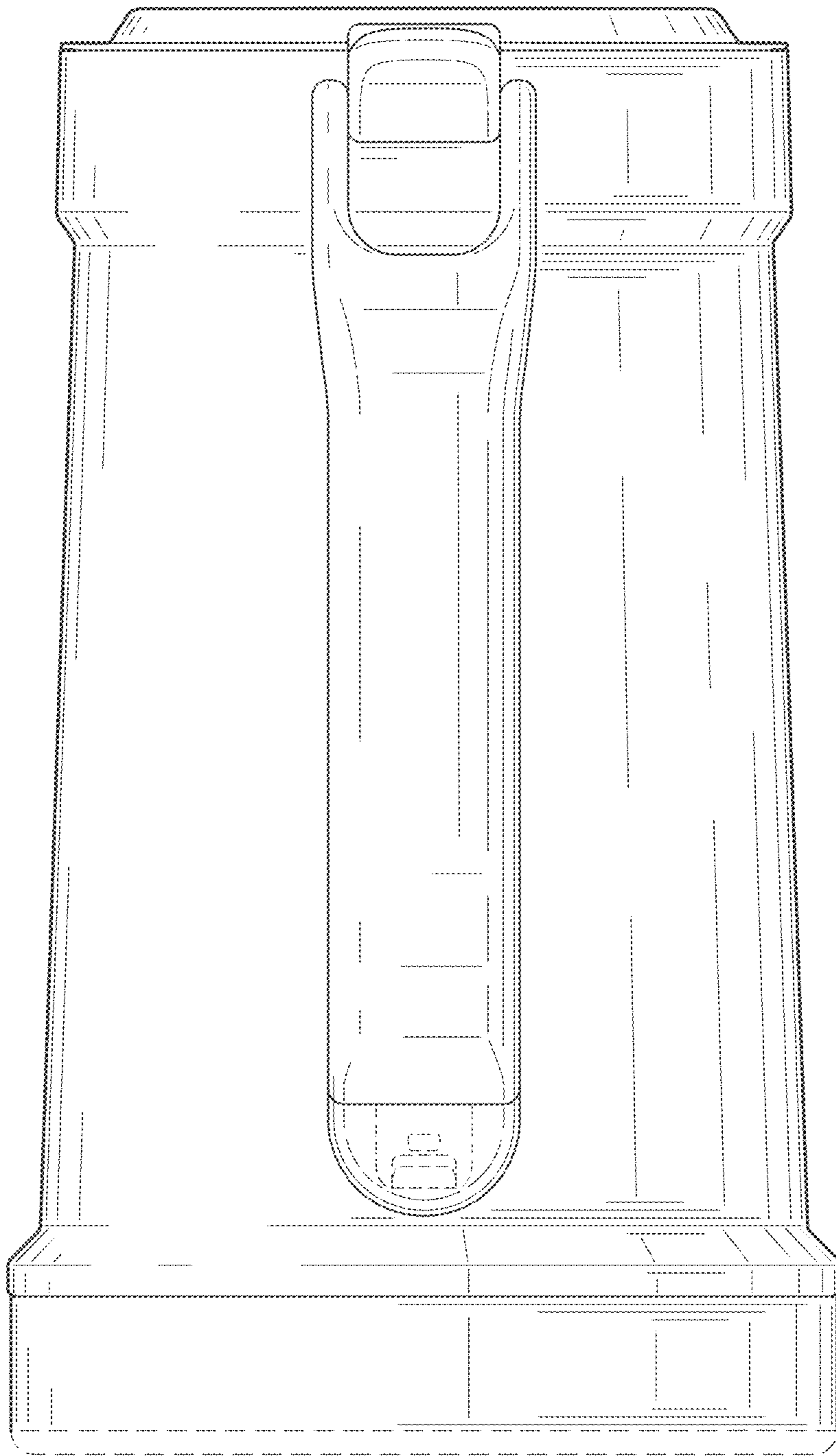


FIG. 12

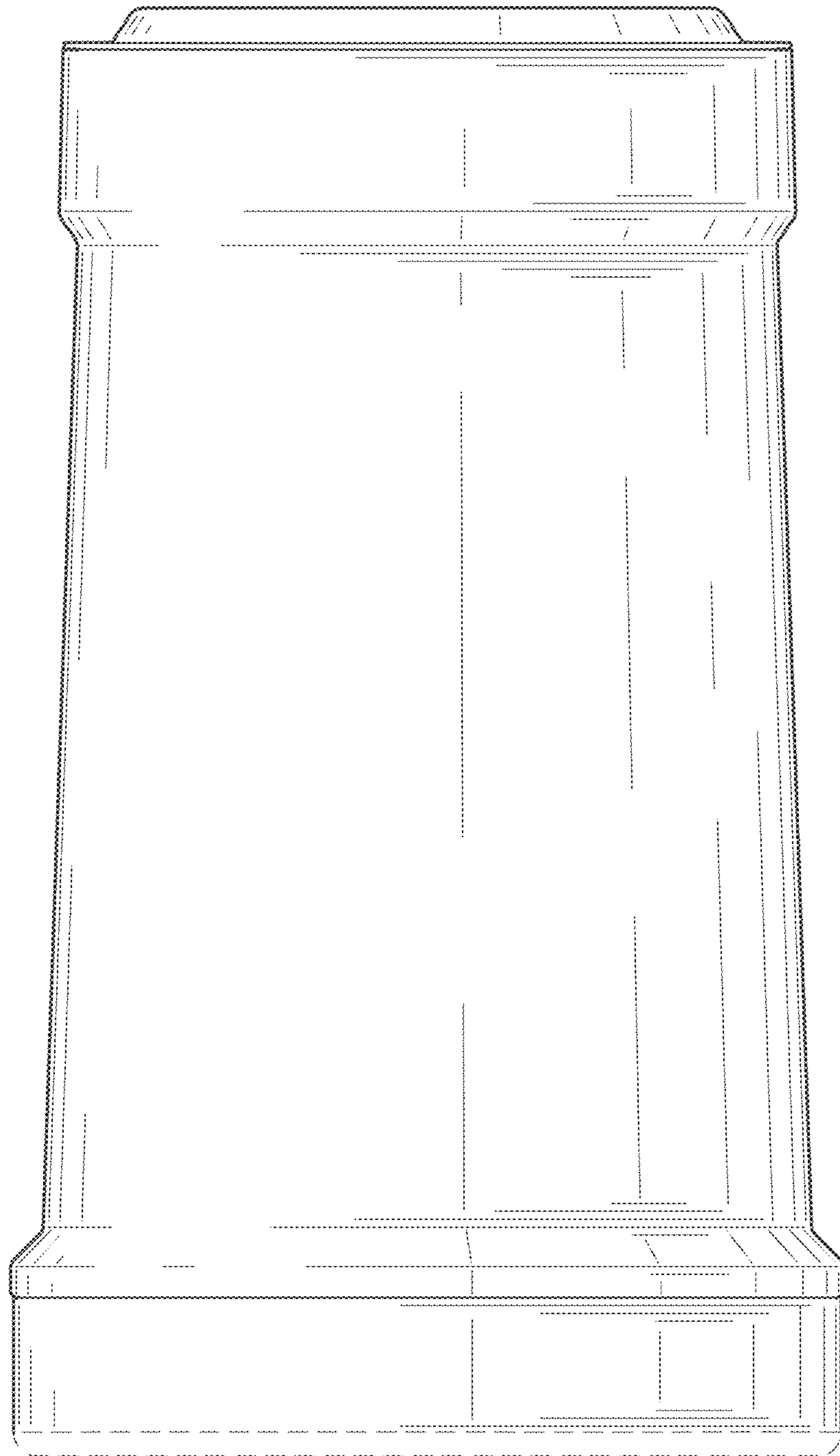


FIG. 13

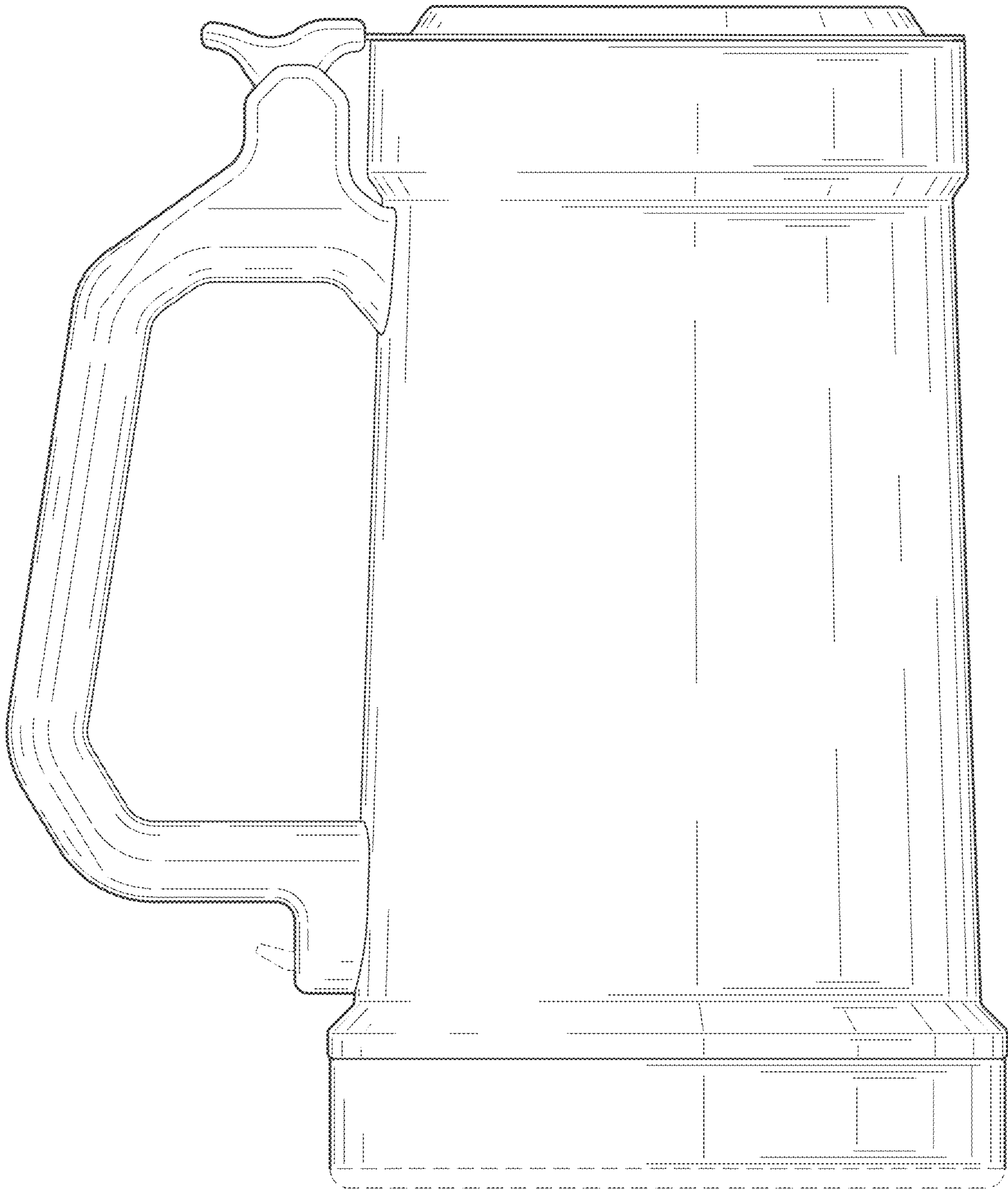


FIG. 14

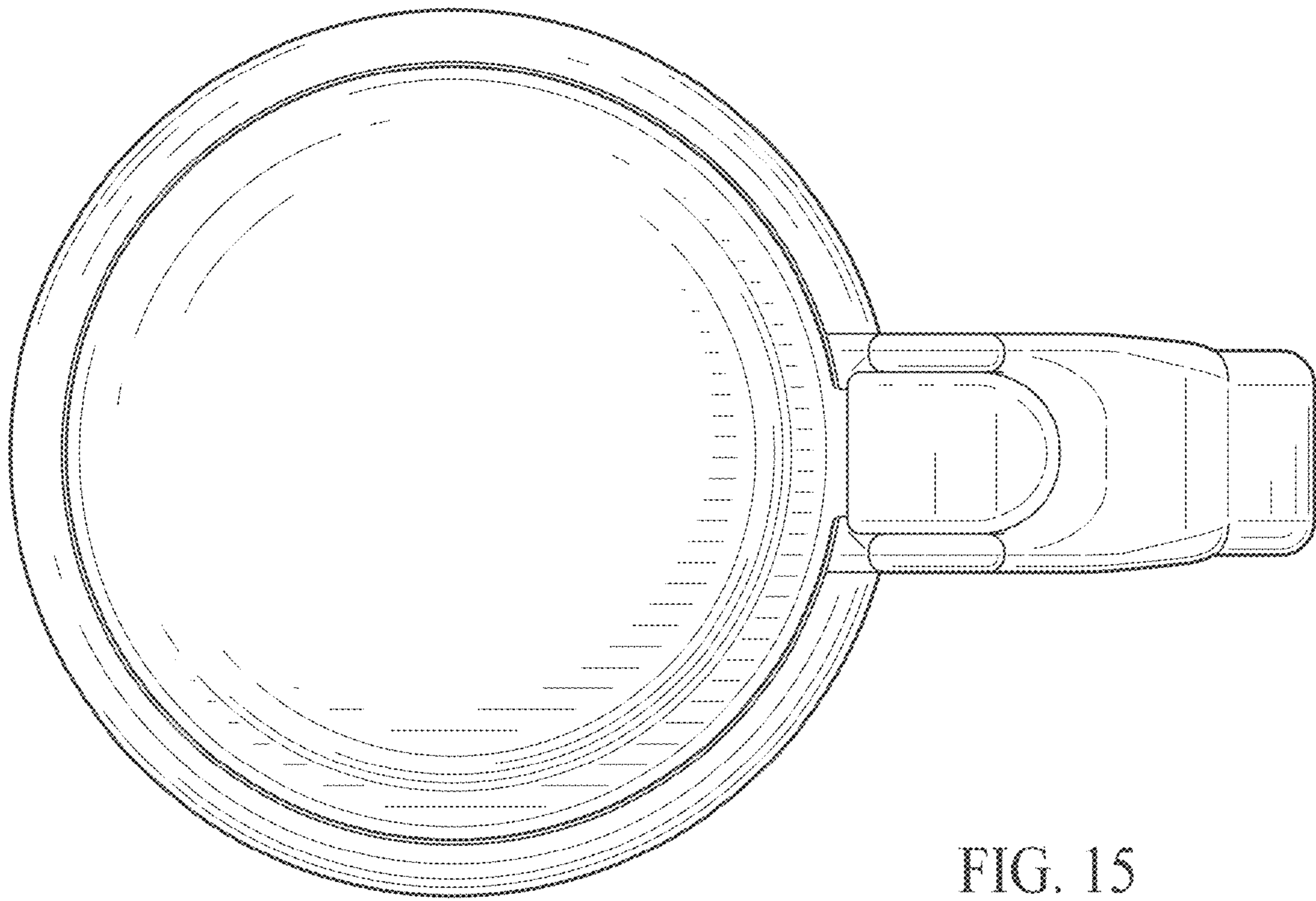


FIG. 15

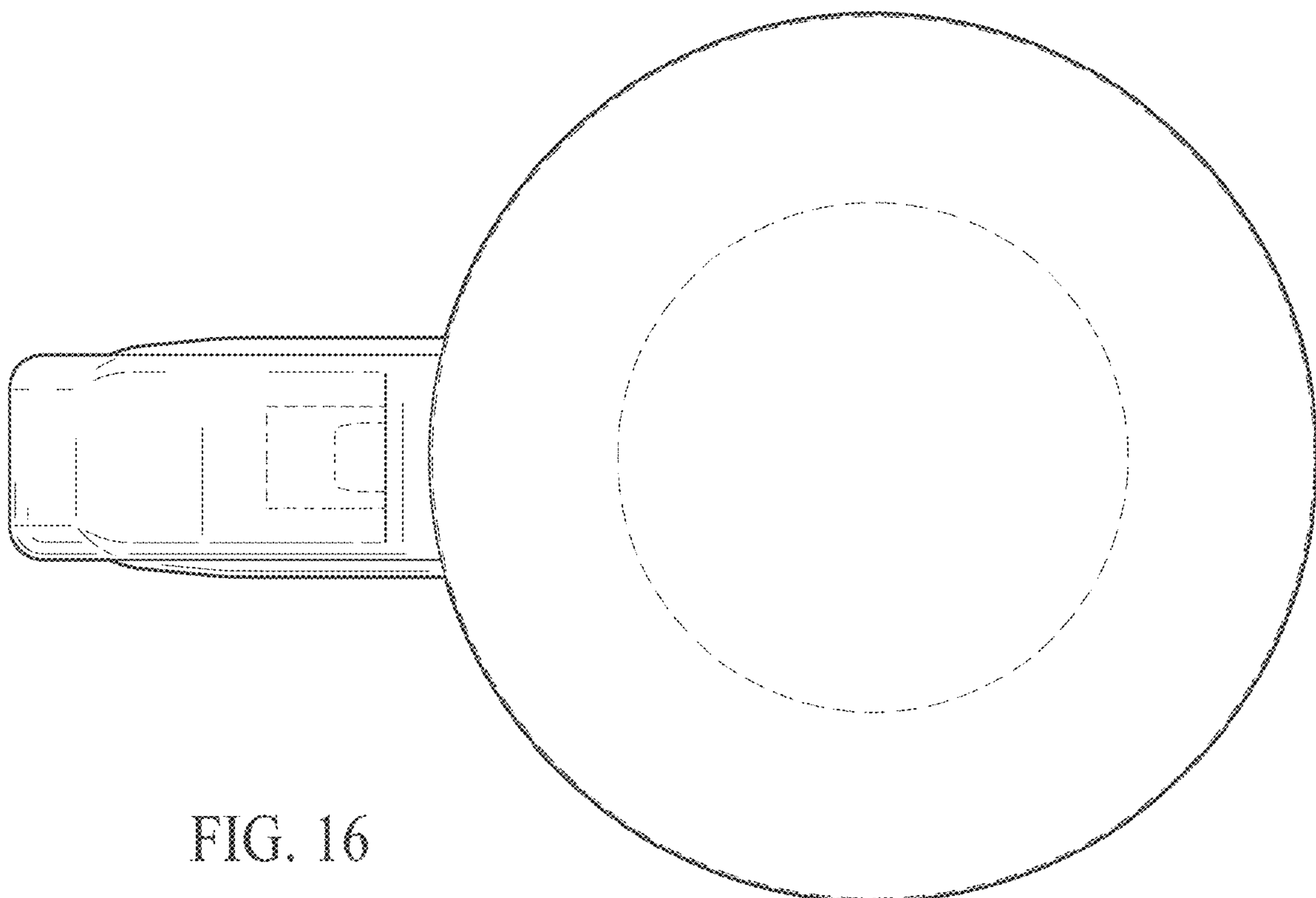


FIG. 16



FIG. 17

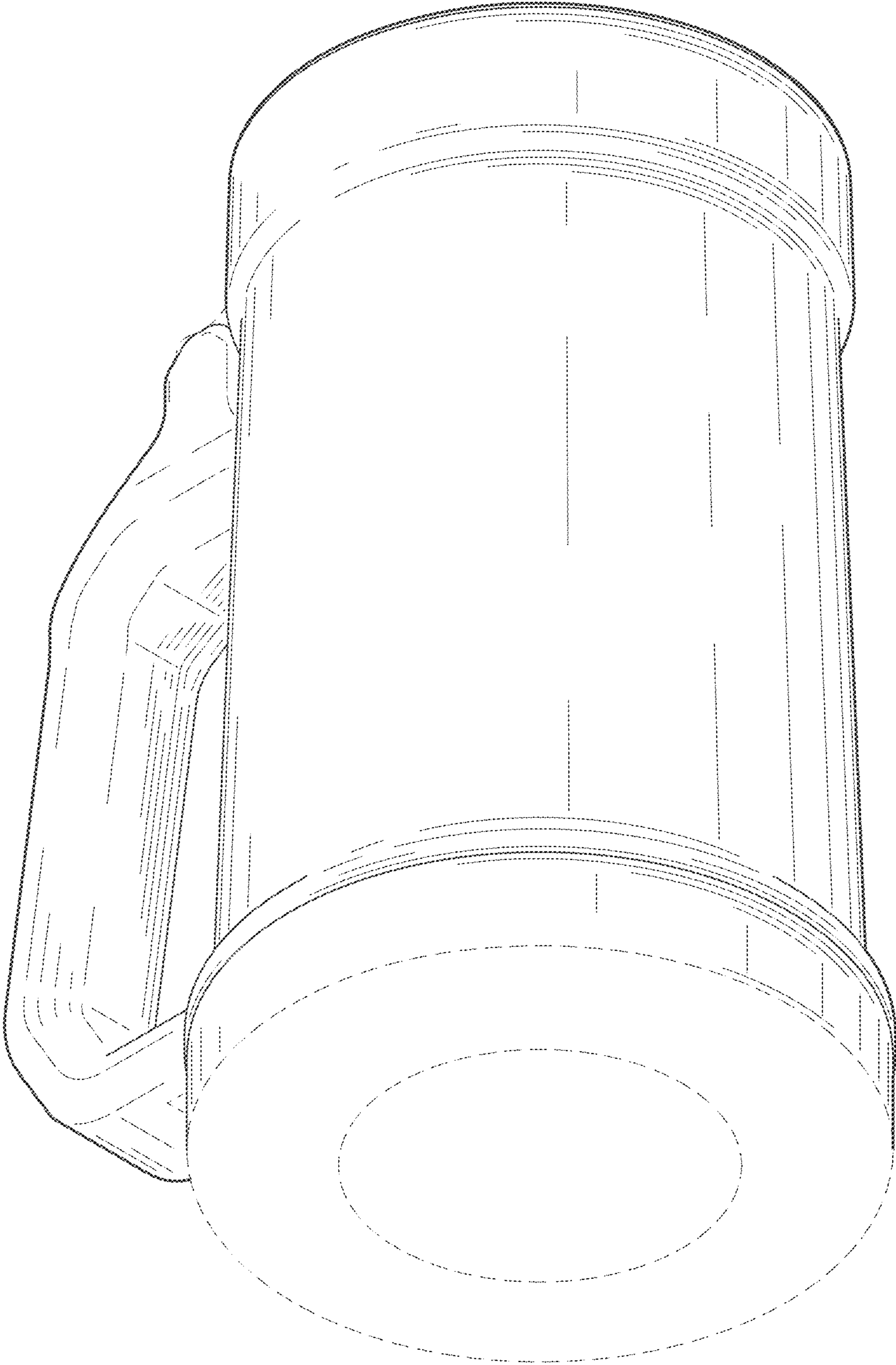


FIG. 18

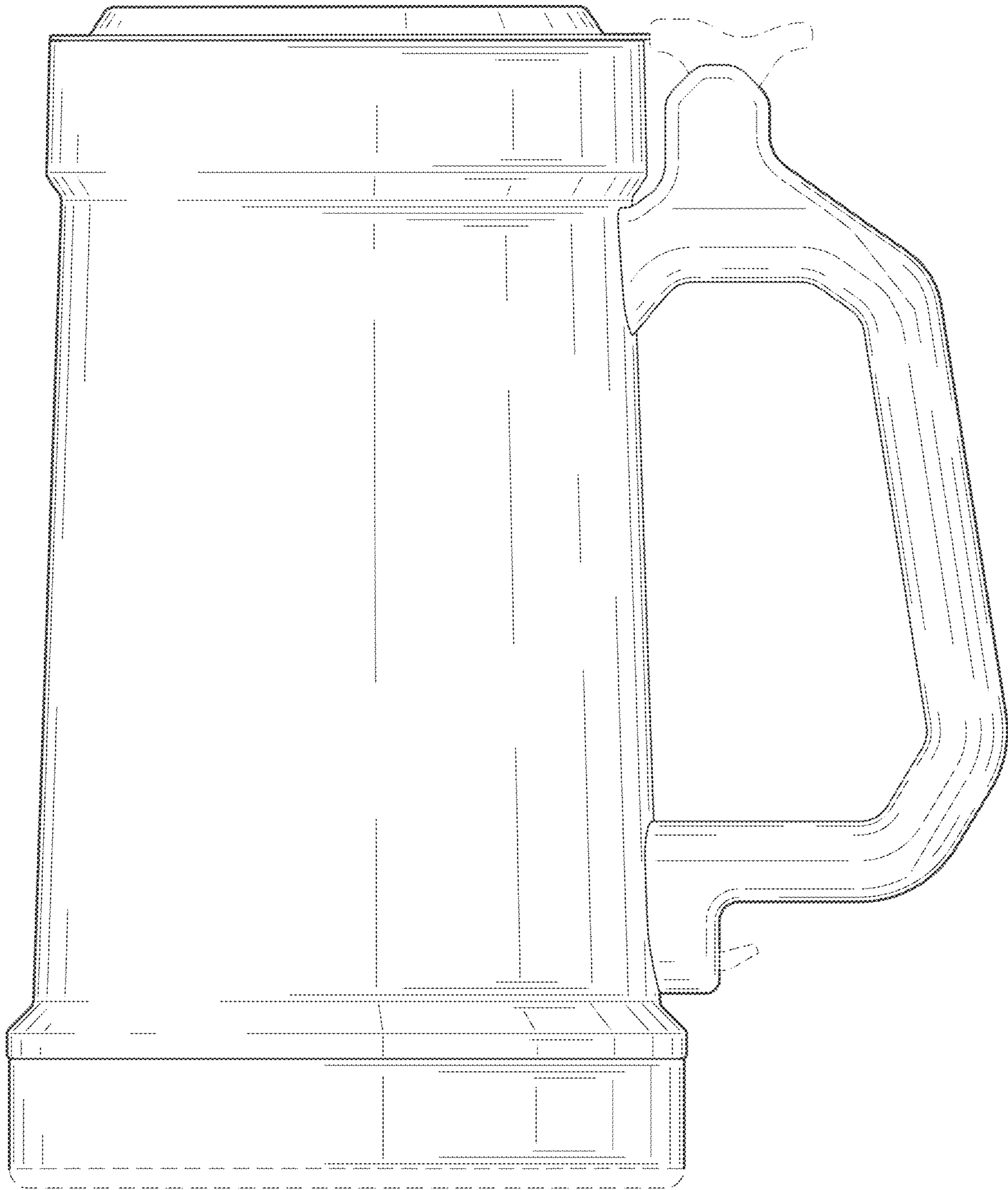


FIG. 19

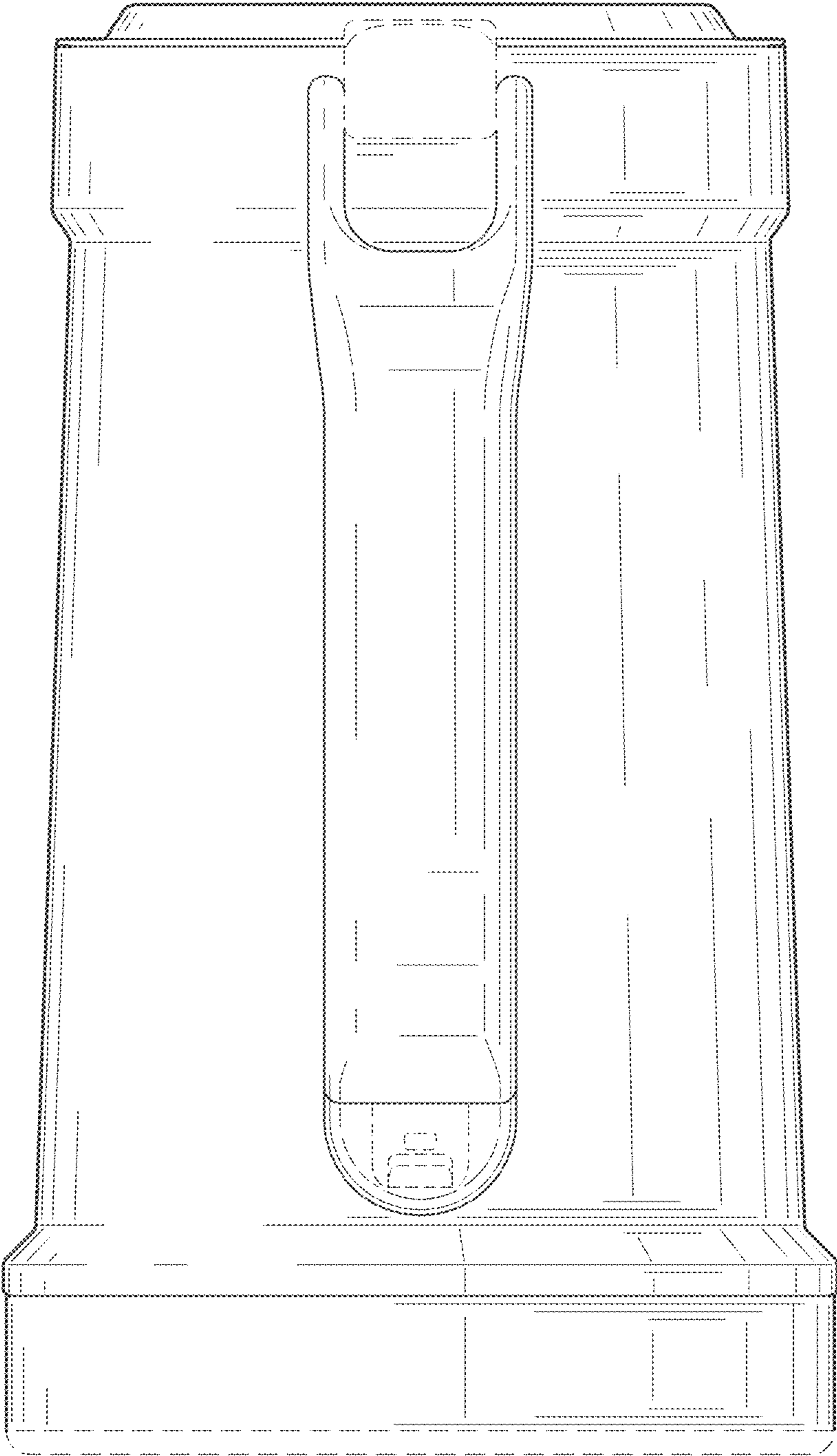


FIG. 20

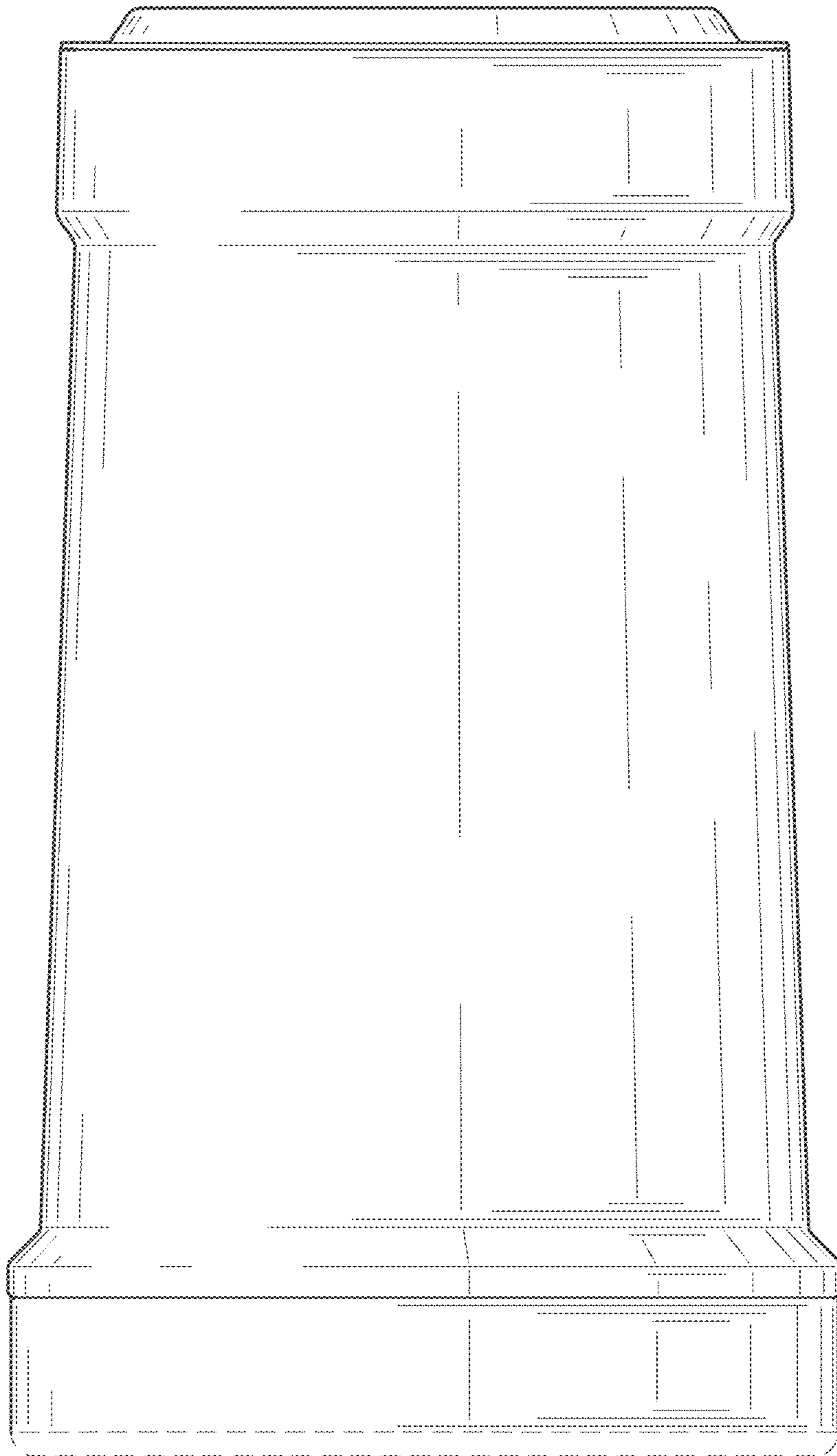


FIG. 21

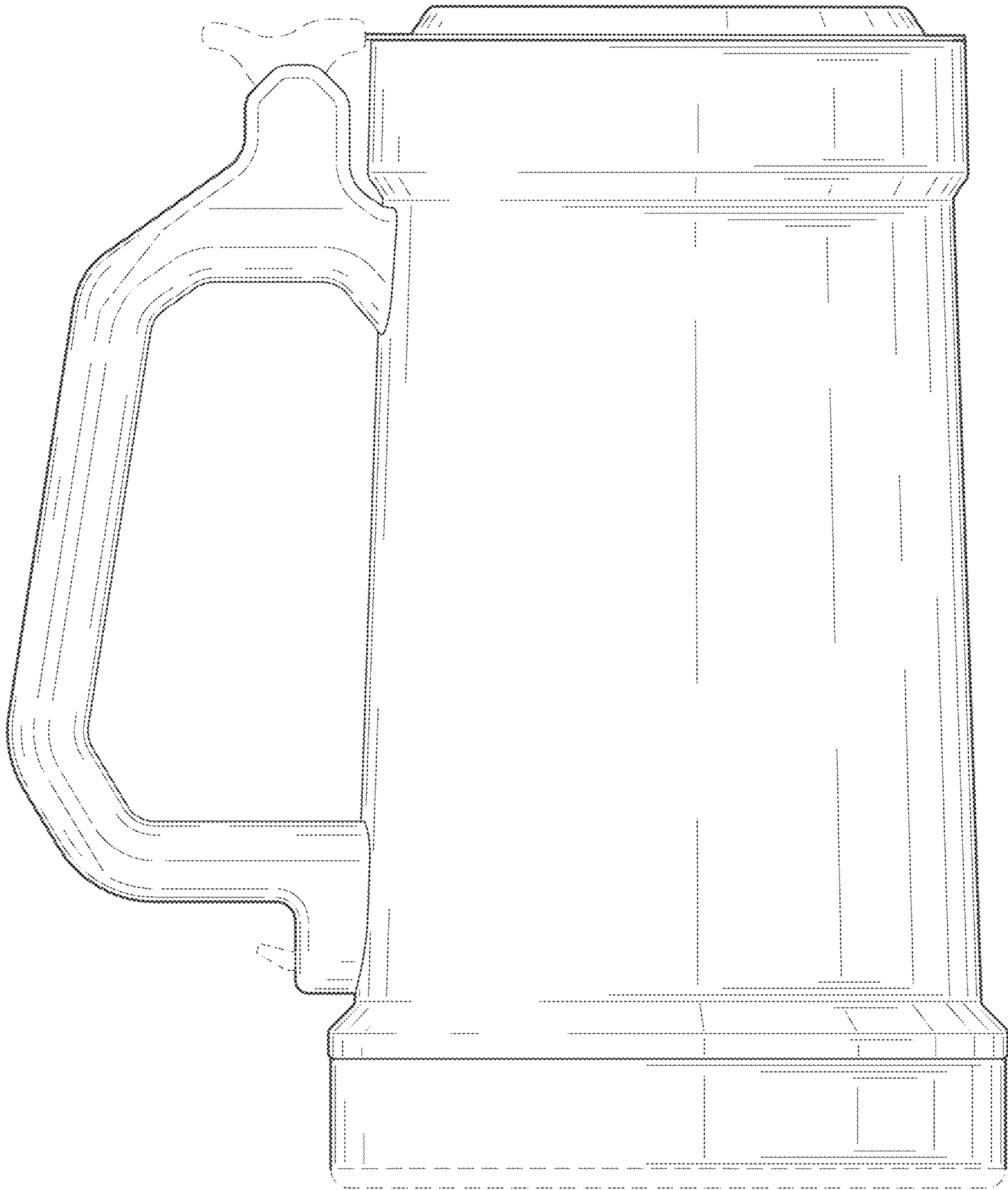


FIG. 22

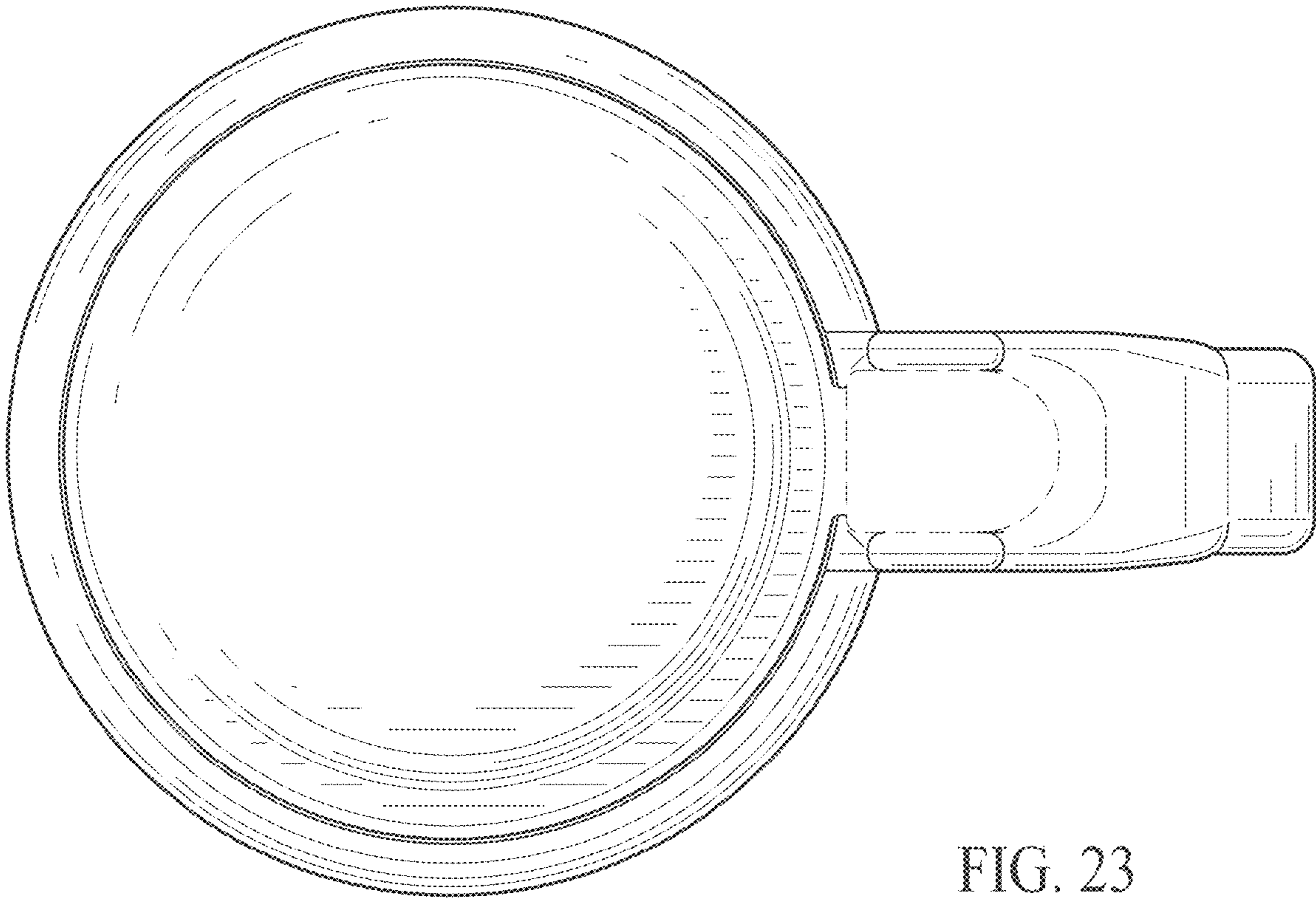


FIG. 23

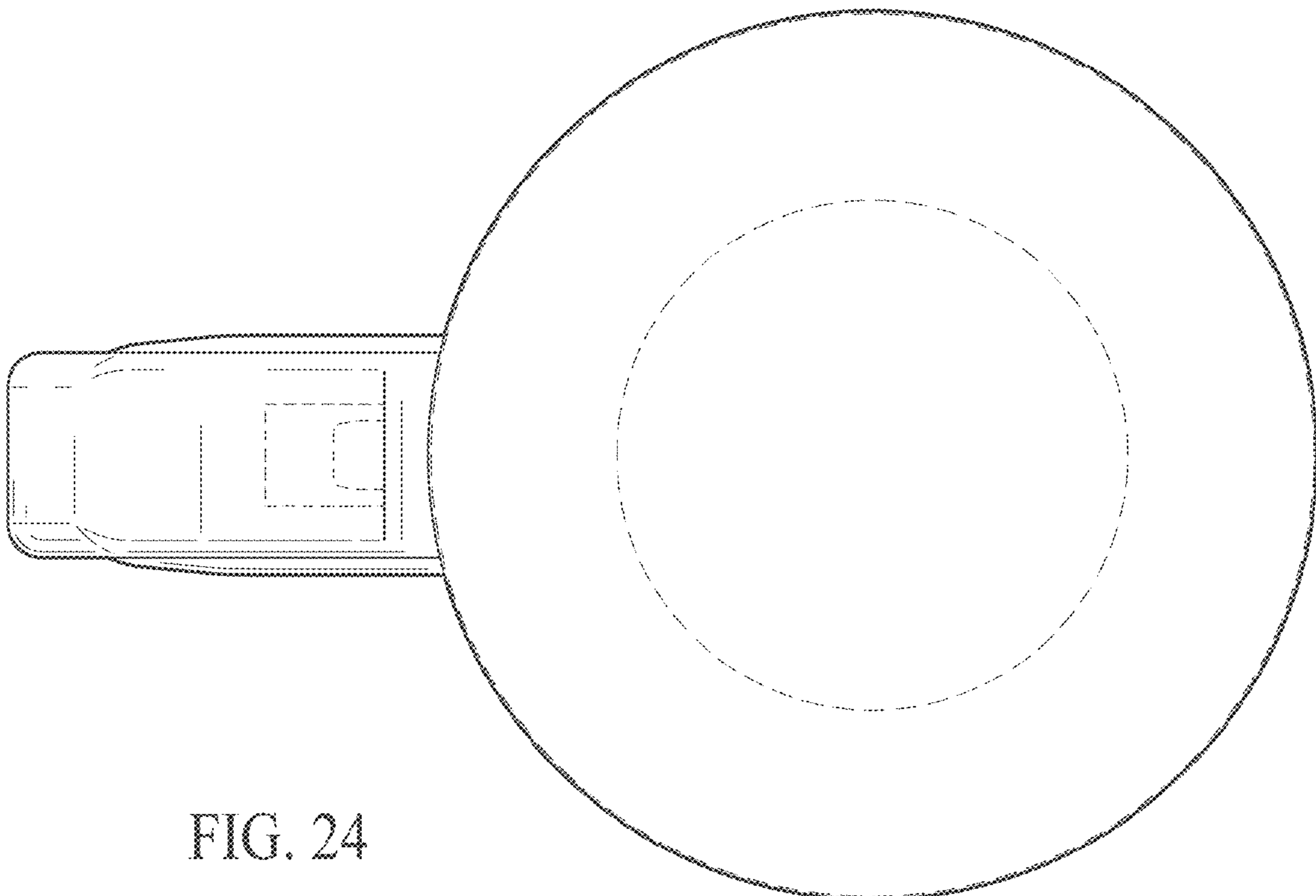


FIG. 24