



US00D935845S

(12) **United States Design Patent** (10) **Patent No.:** **US D935,845 S**
Chen (45) **Date of Patent:** **** Nov. 16, 2021**

(54) **SQUARE BOTTOM DOUBLE WALL TUMBLER**

(71) Applicant: **Pengcheng Chen**, Shenzhen (CN)

(72) Inventor: **Pengcheng Chen**, Shenzhen (CN)

(**) Term: **15 Years**

(21) Appl. No.: **29/710,721**

(22) Filed: **Oct. 25, 2019**

(51) **LOC (13) Cl.** **07-01**

(52) **U.S. Cl.**

USPC **D7/510**; D7/511

(58) **Field of Classification Search**

USPC D7/507, 509, 510, 511, 523, 532, 533,
D7/536, 392.1, 396.2, 387, 608; D9/435,
D9/449, 450, 436

CPC A47G 19/22; A47G 19/2288; A47G
19/2205; A47G 19/2272; A45F 3/20

See application file for complete search history.

(56) **References Cited**

U.S. PATENT DOCUMENTS

D399,392 S *	10/1998	Husted	D7/511
D557,074 S *	12/2007	Bardolet	D7/509
D667,151 S *	9/2012	Arslanian	D26/9
D770,231 S *	11/2016	Hume	D7/532
D805,352 S *	12/2017	Thuma	D7/523
D817,718 S *	5/2018	Furneaux	D7/532
D838,140 S *	1/2019	Furneaux	D7/510
D886,528 S *	6/2020	Omdahl, II	D7/511
D898,506 S *	10/2020	Perman	D7/392.1
D909,816 S *	2/2021	Omdahl, II	D7/523

D915,143 S *	4/2021	Wang	D7/510
2008/0179274 A1 *	7/2008	Cheng	A45F 3/16 215/329
2017/0121074 A1 *	5/2017	Seiders	A47G 19/2272
2020/0339314 A1 *	10/2020	Meyers	A47G 19/2266

OTHER PUBLICATIONS

<https://www.youtube.com/watch?v=CkWXWnp-xaw> (Year: 2019).*

* cited by examiner

Primary Examiner — Jae Liang

(74) *Attorney, Agent, or Firm* — Scott H. Kaliko, Esq.;
Kaliko & Associates, LLC

(57) **CLAIM**

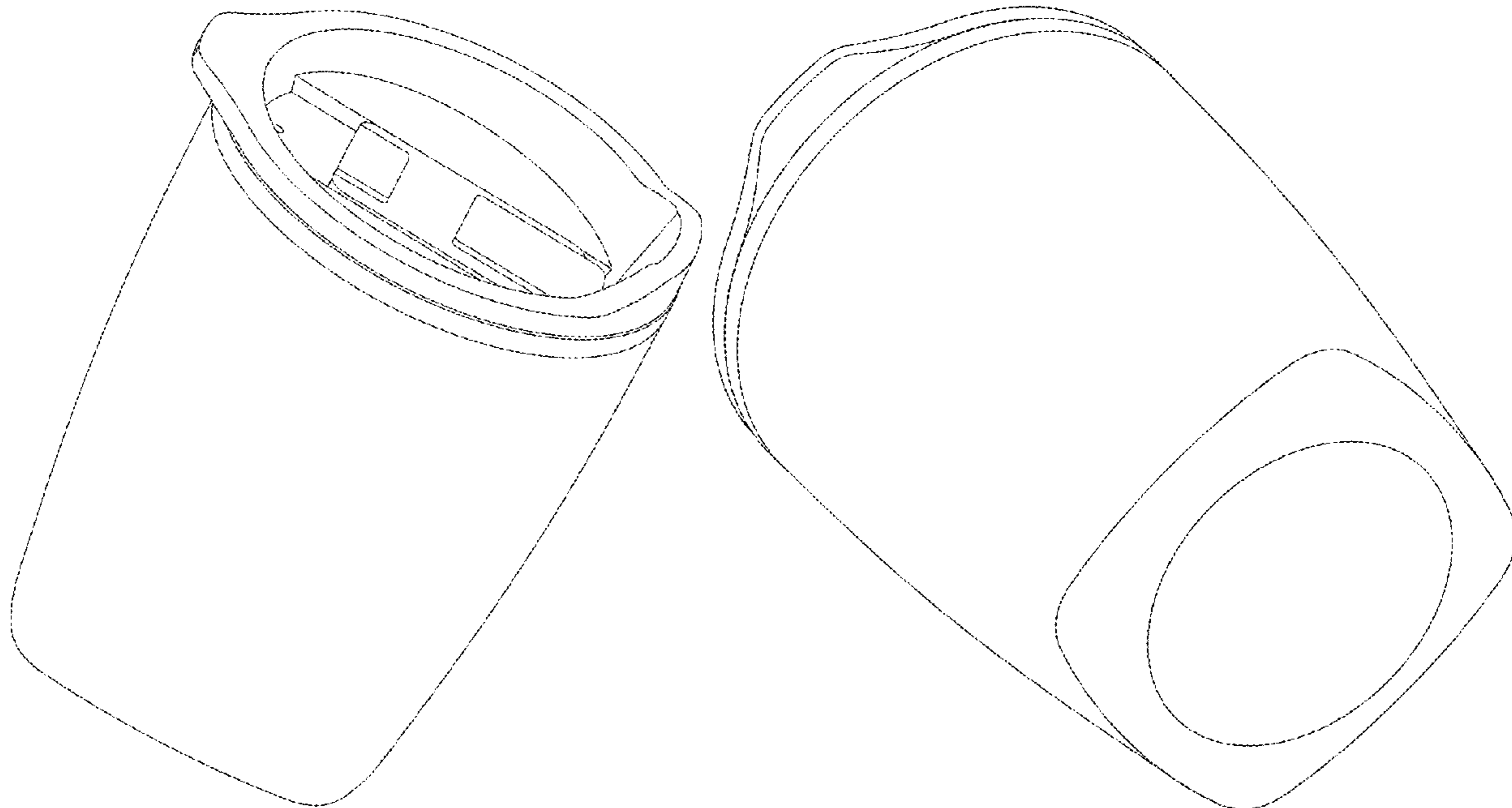
The ornamental design for a square bottom double wall tumbler, as shown and described.

DESCRIPTION

FIG. 1 is a front perspective view of a square bottom double wall tumbler showing my new design;
FIG. 2 is a bottom perspective view thereof;
FIG. 3 is an exploded view thereof;
FIG. 4 is a top view of thereof;
FIG. 5 is a bottom view thereof;
FIG. 6 is a side view thereof;
FIG. 7 is a side view thereof;
FIG. 8 is a front view thereof; and,
FIG. 9 is a back view thereof.

The broken lines in the drawings depict the bracket portion of the exploded view only and form no part of the claimed design.

1 Claim, 8 Drawing Sheets



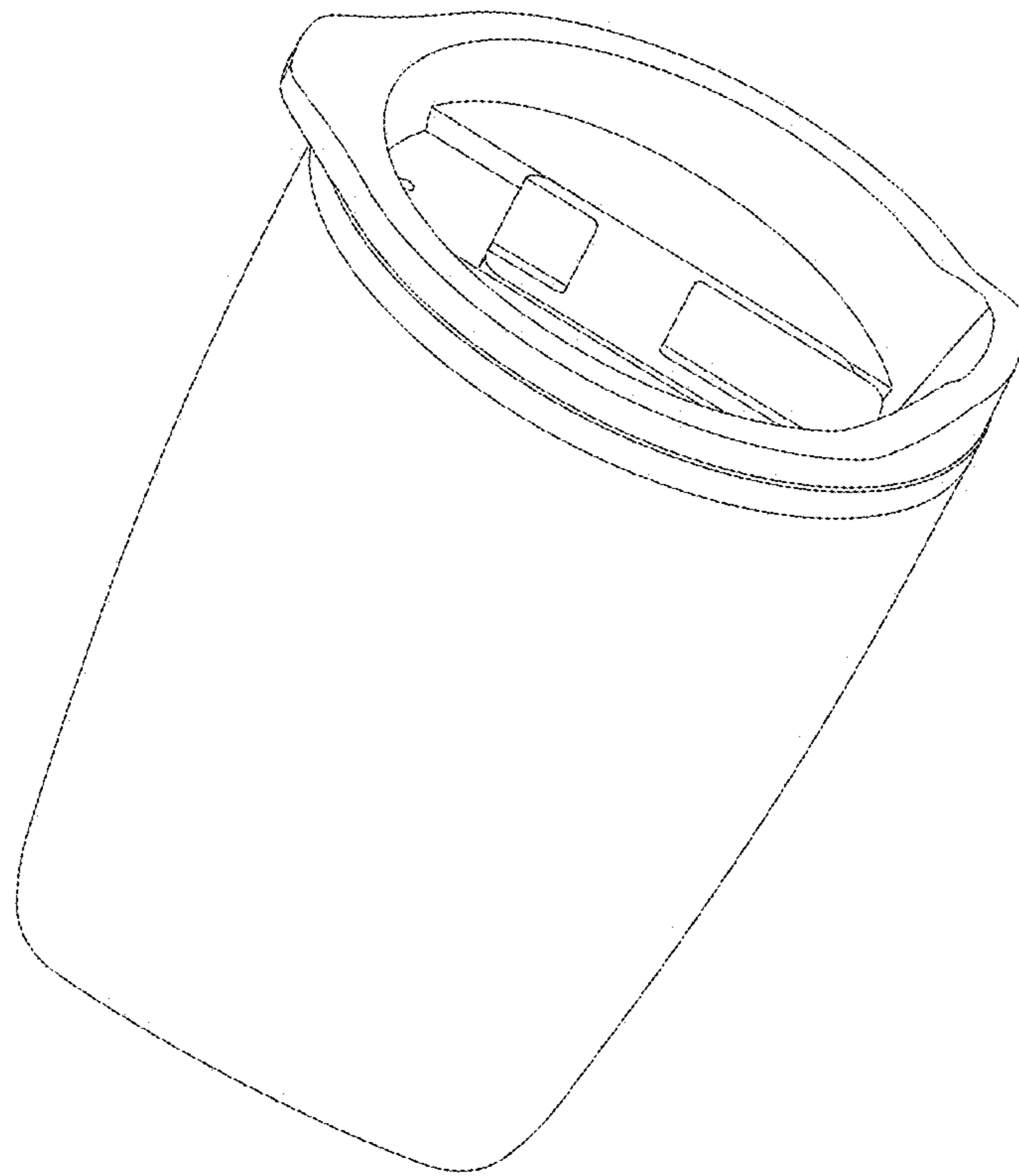


FIG 1

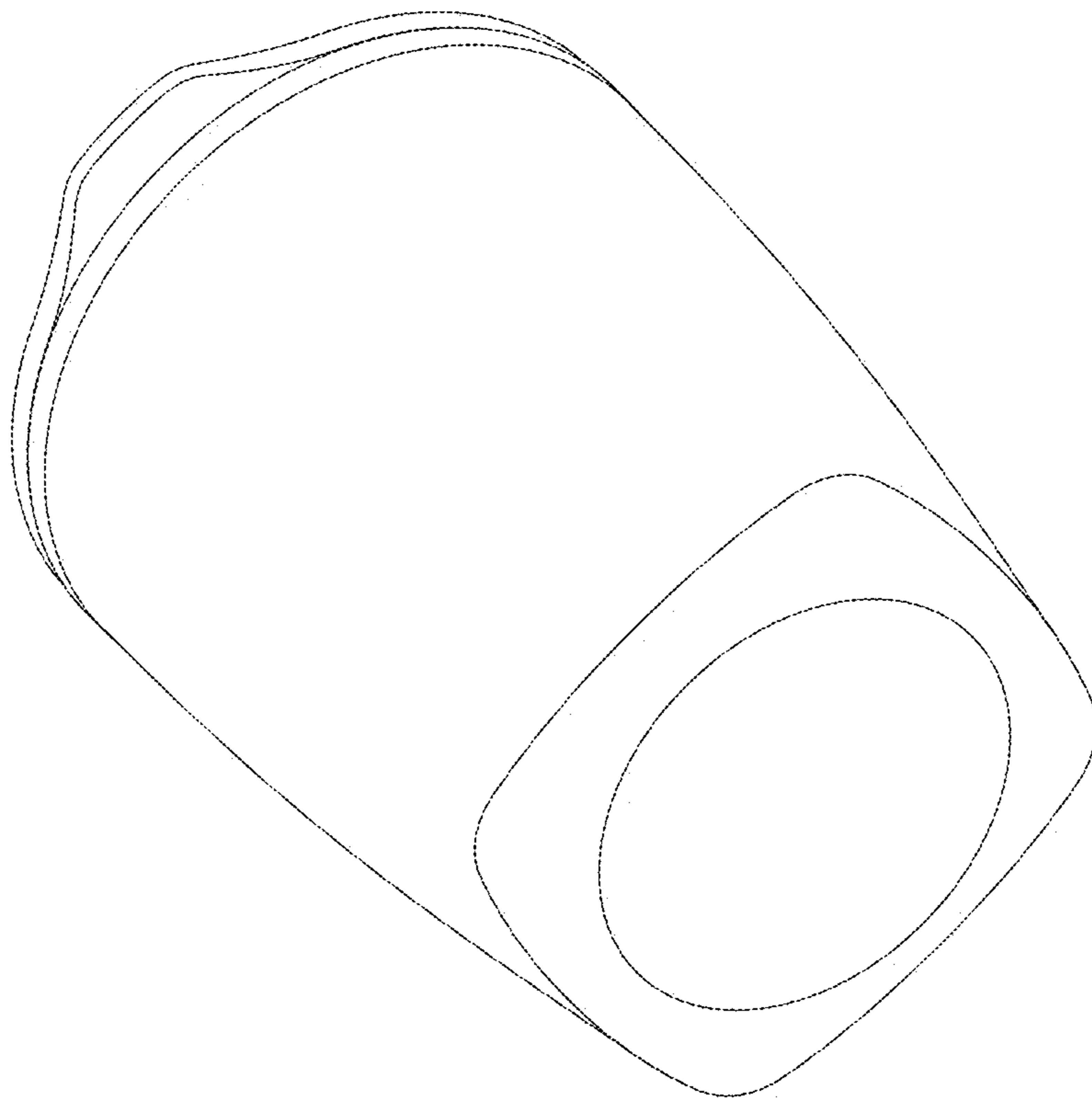


FIG 2

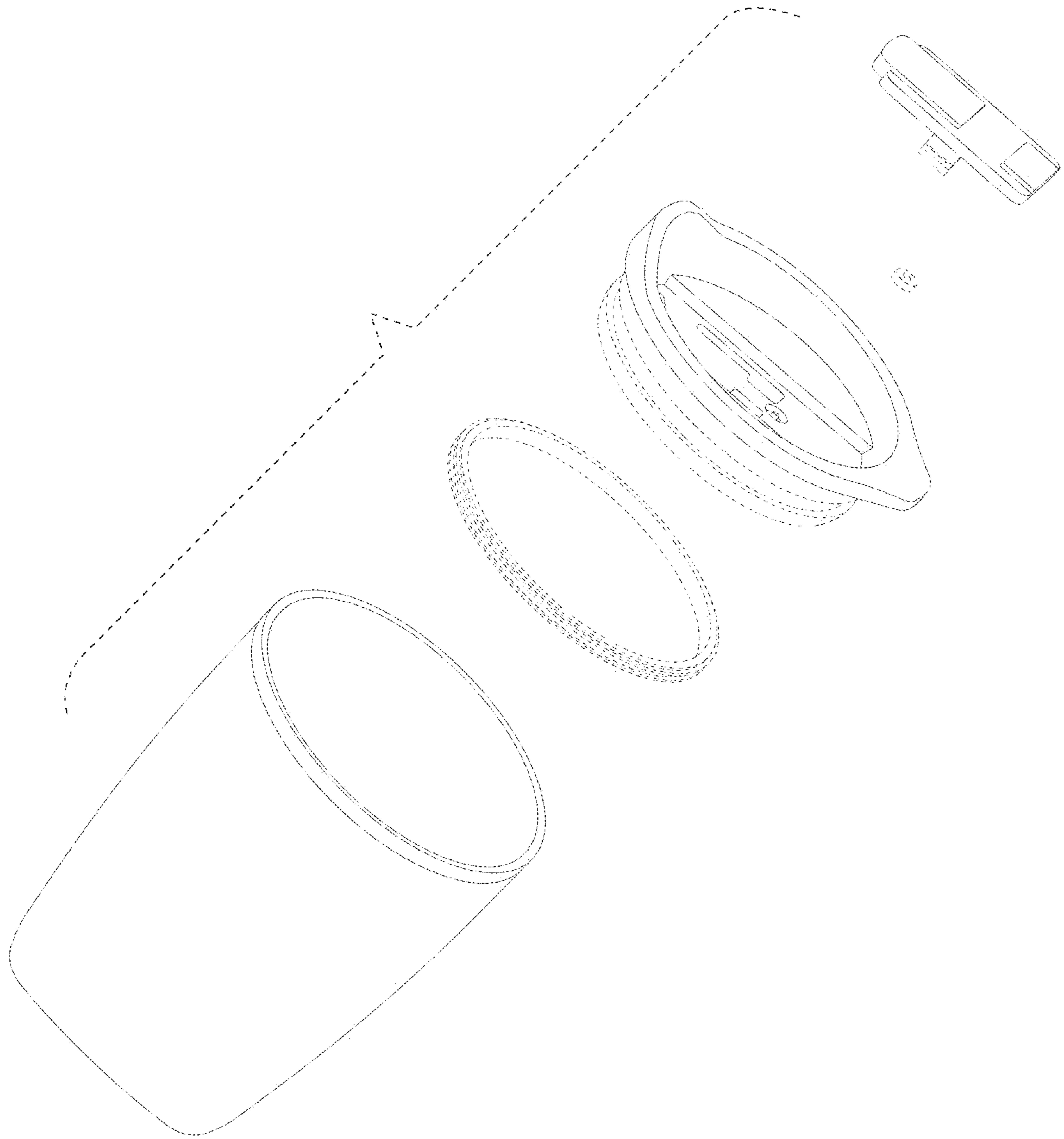


FIG 3

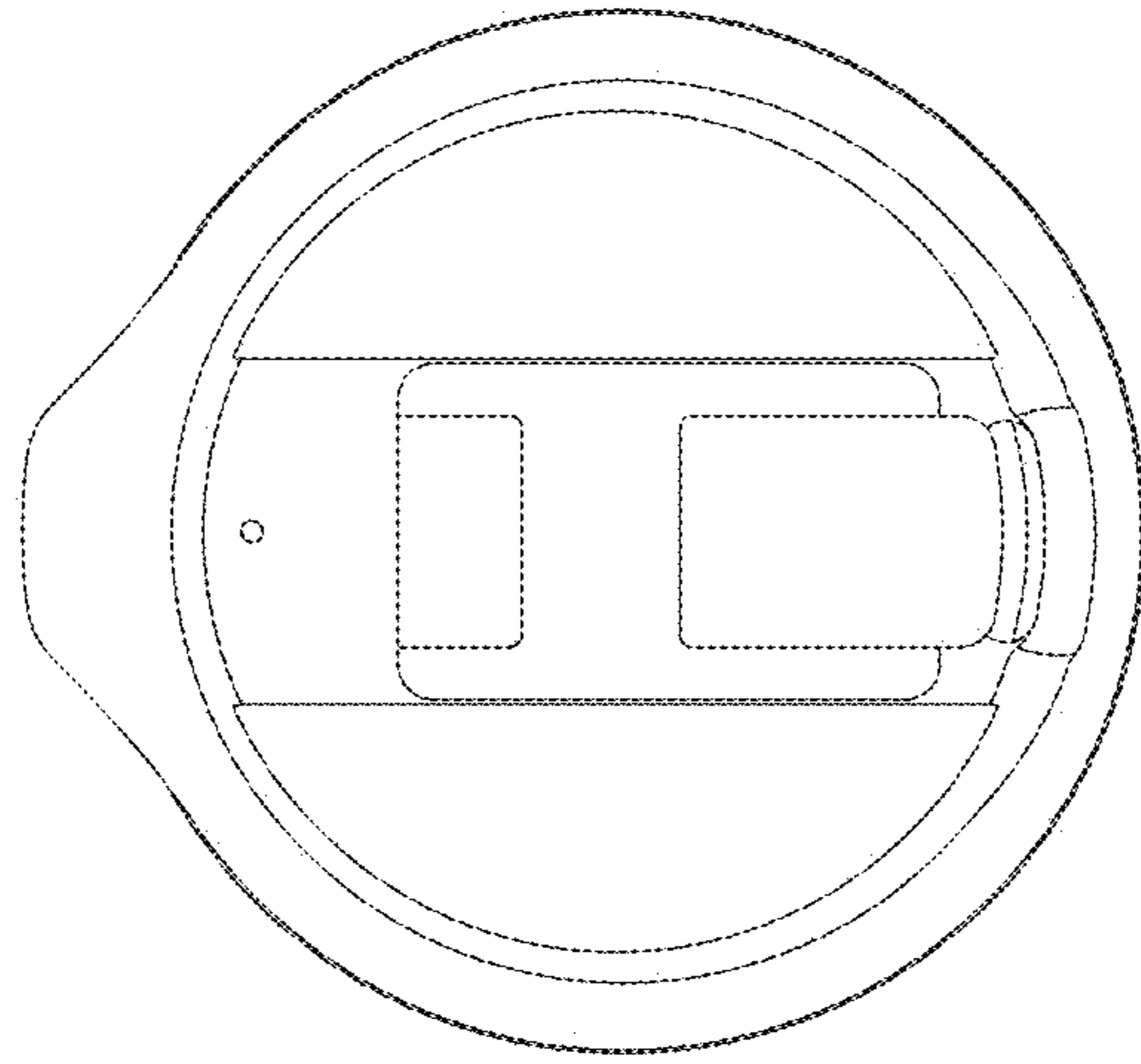


FIG 4

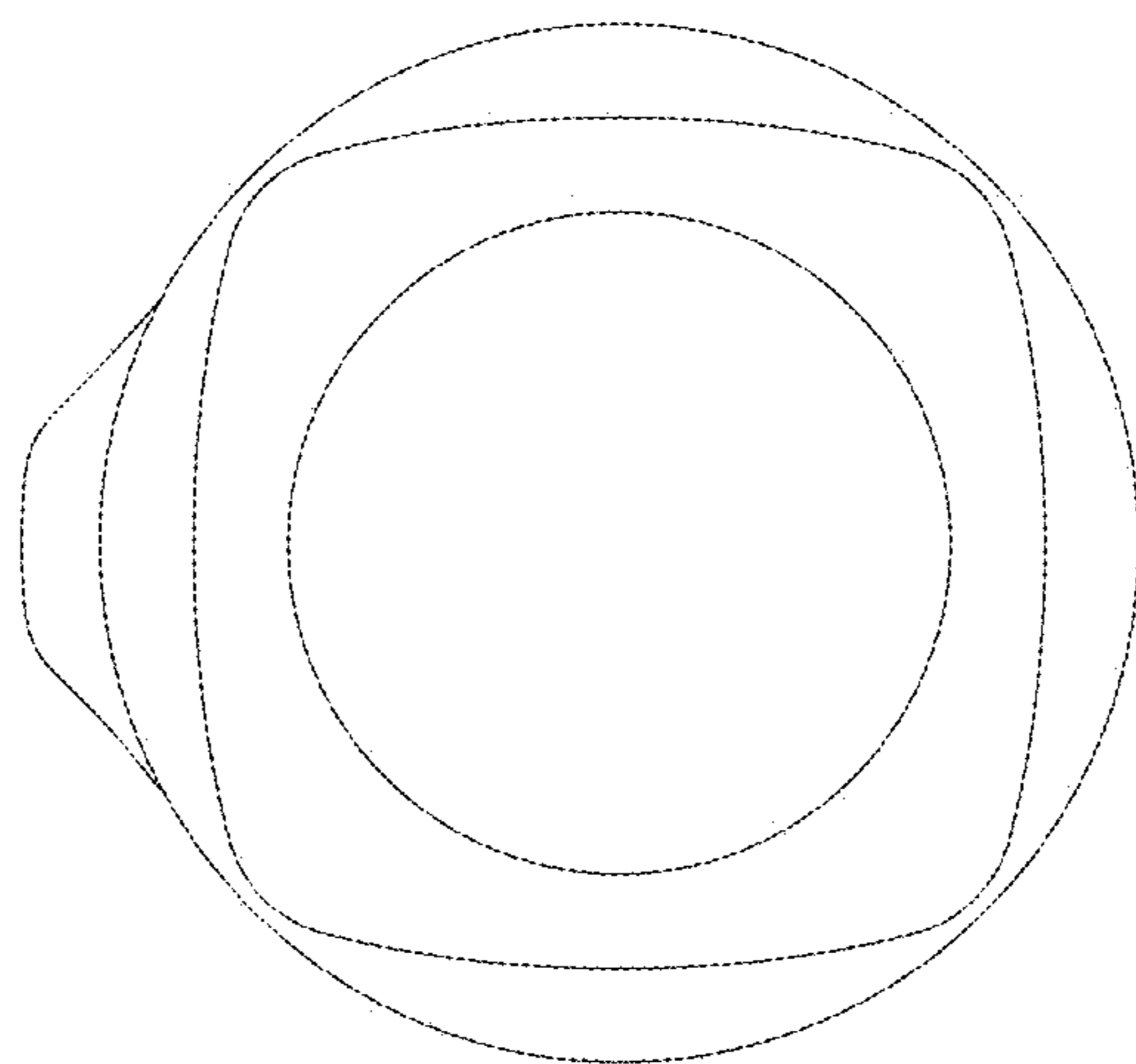


FIG 5

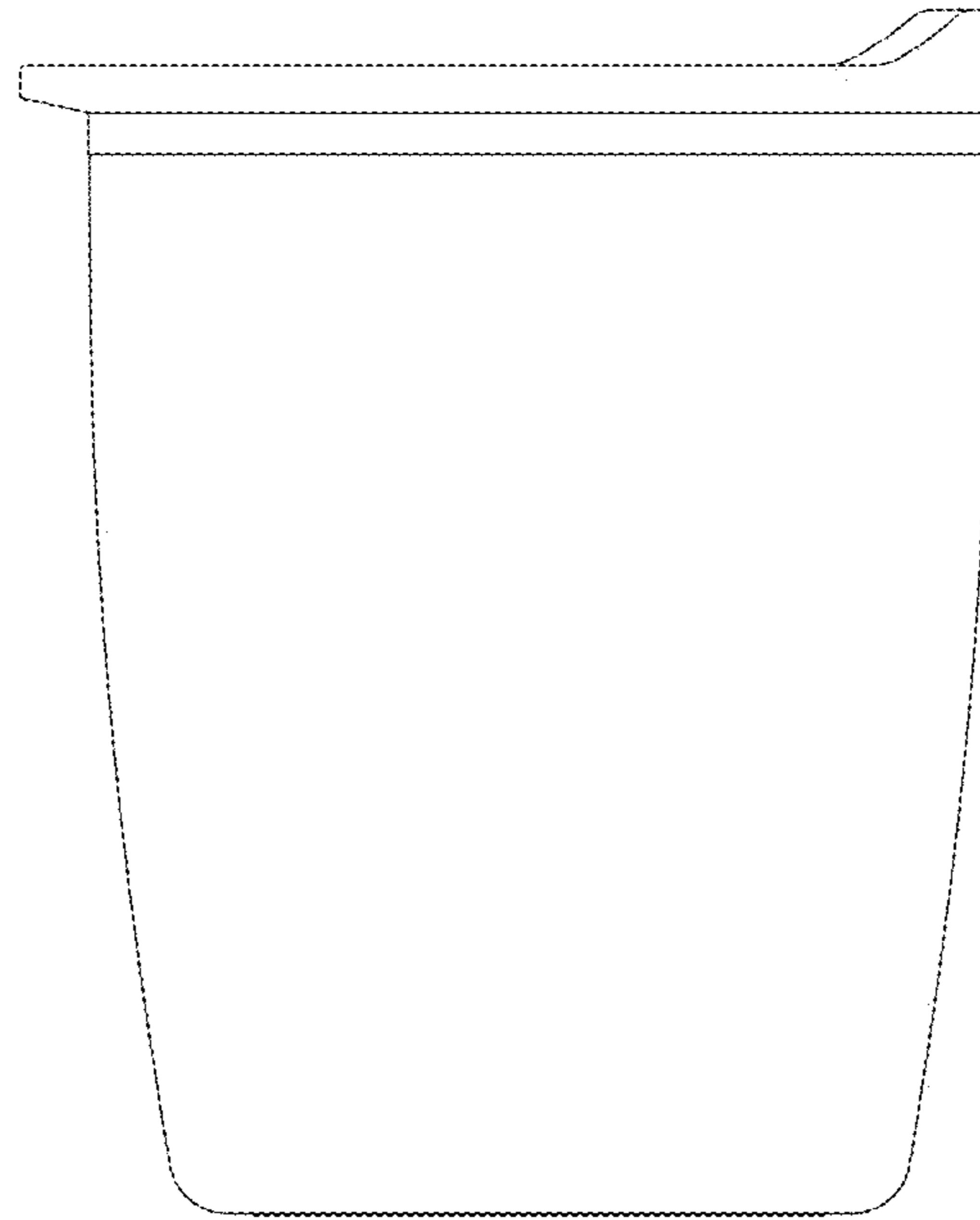


FIG 6

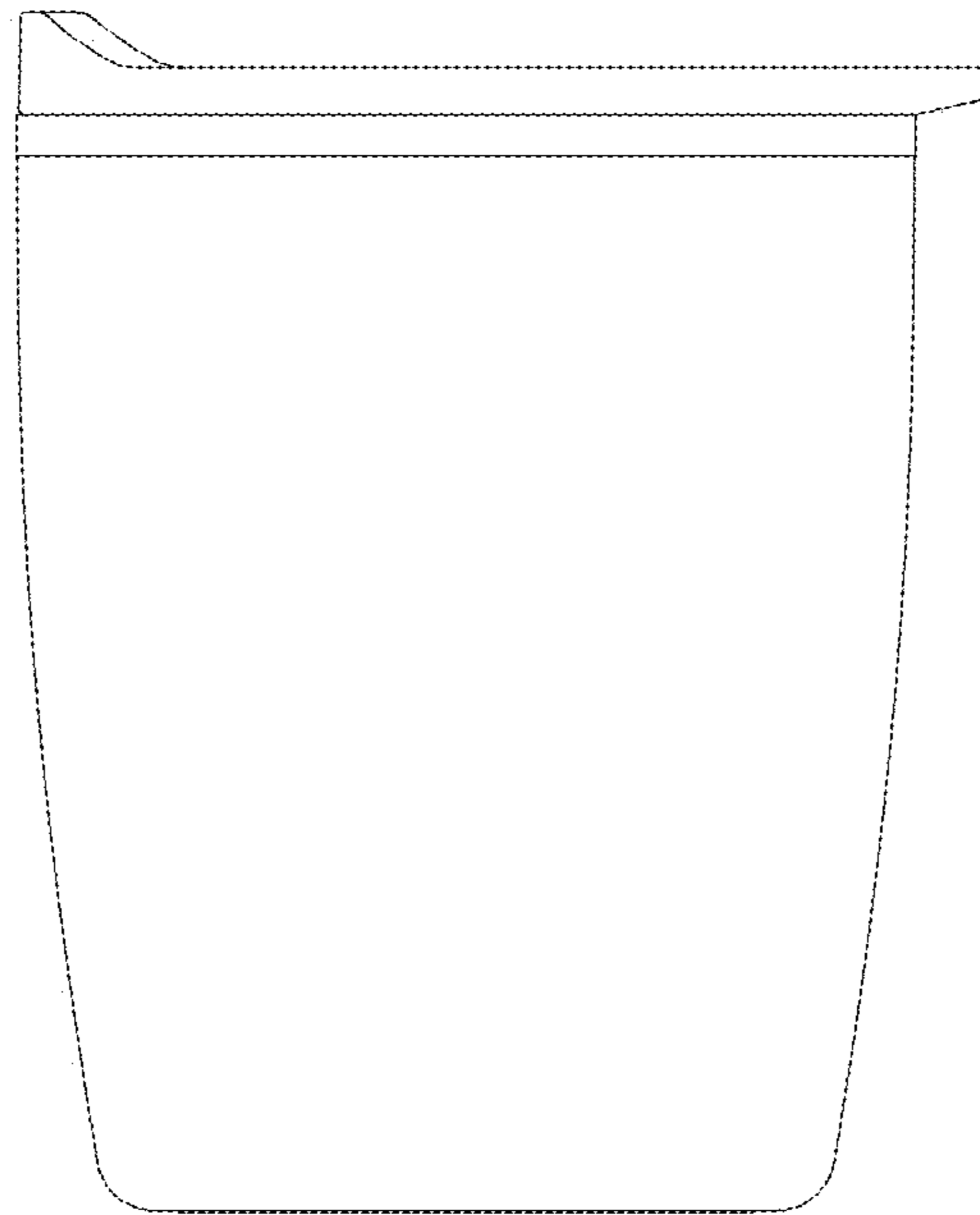


FIG 7

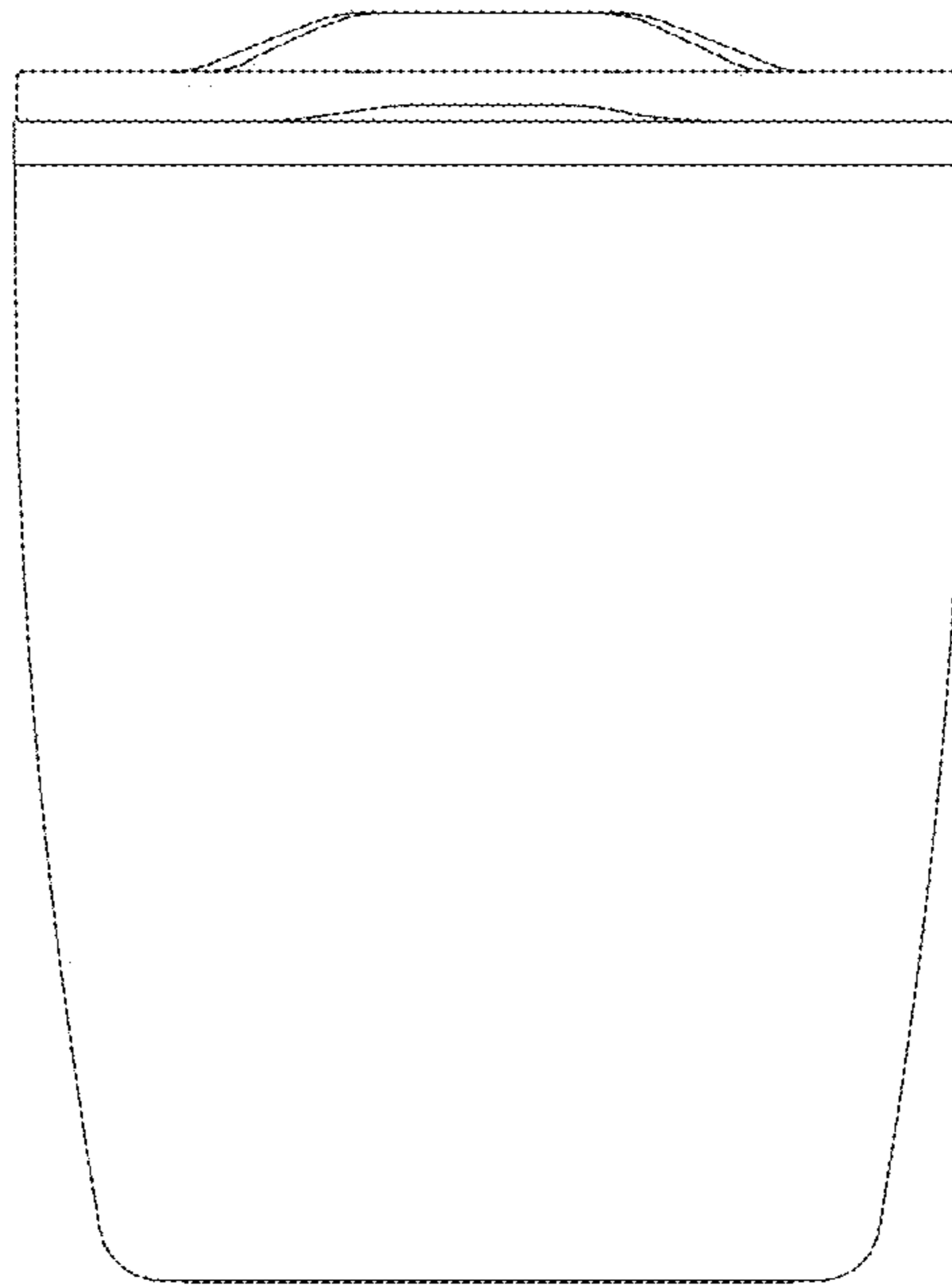


FIG 8

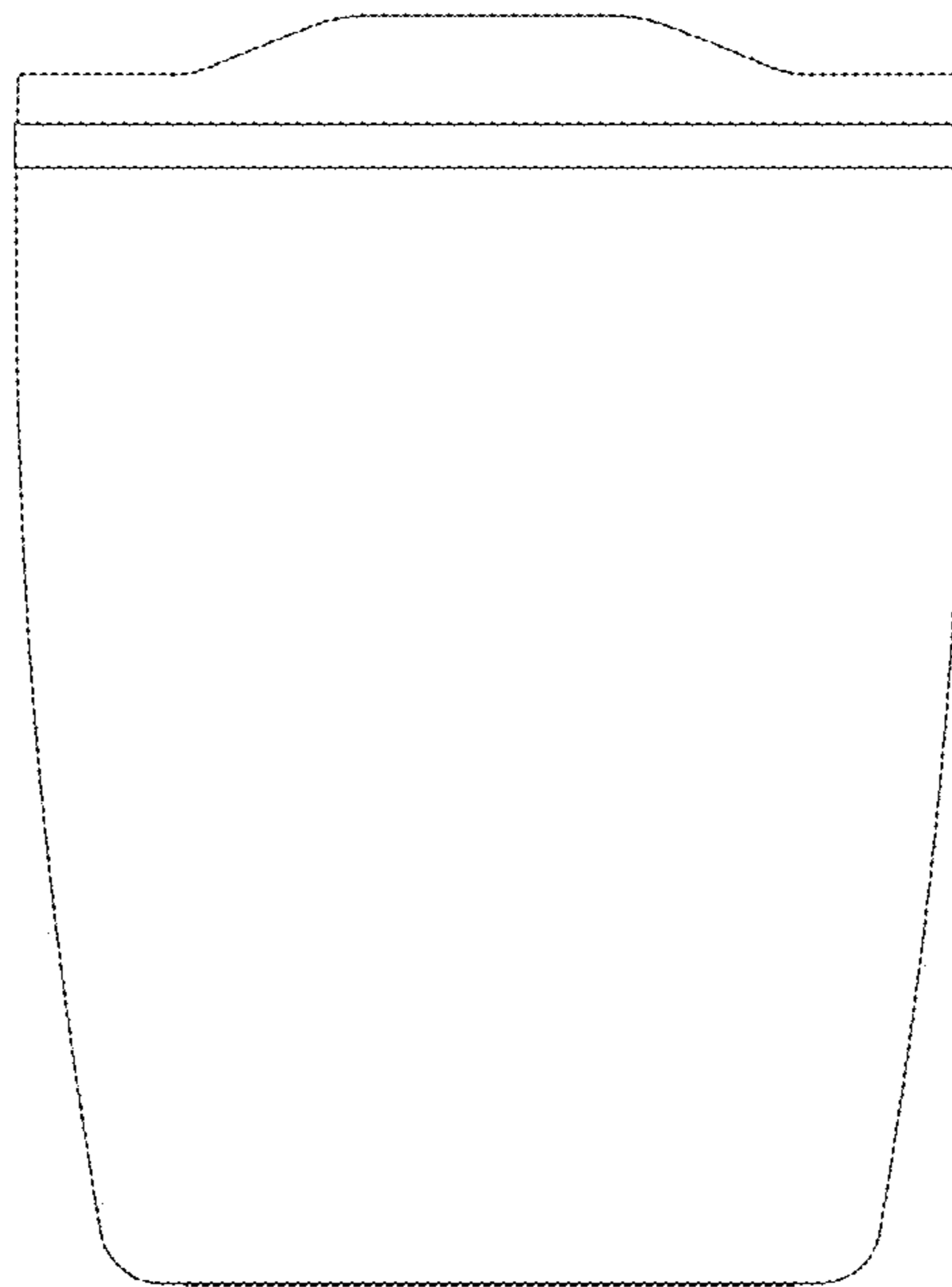


FIG 9