



US00D935844S

(12) **United States Design Patent** (10) **Patent No.:** **US D935,844 S**  
**Roden** (45) **Date of Patent:** **\*\* Nov. 16, 2021**

- (54) **ELECTRIC LIGHTER**
- (71) Applicant: **TYL Inc.**, Forth Worth, TX (US)
- (72) Inventor: **Tripp Roden**, Keller, TX (US)
- (73) Assignee: **TYL Inc.**, Fort Worth, TX (US)
- (\*\*) Term: **15 Years**
- (21) Appl. No.: **29/718,259**
- (22) Filed: **Dec. 23, 2019**

2,886,320 A *	5/1959	Van Hennik .....	A63B 65/122 473/510
2,905,453 A *	9/1959	Wise .....	B01F 7/00325 416/176
3,116,770 A	1/1964	Tanuma	
D203,956 S *	3/1966	Hauenstein .....	D7/416
D204,436 S *	4/1966	Bourner .....	D7/416
D213,561 S	3/1969	Walker	
4,321,907 A	3/1982	Sutter	
4,406,941 A	9/1983	Schmerein, Jr.	
D281,707 S *	12/1985	Jernigan .....	D21/402
4,901,196 A	2/1990	Grzybowski	

(Continued)

**Related U.S. Application Data**

- (63) Continuation of application No. 29/674,086, filed on Dec. 19, 2018, now Pat. No. Des. 870,512, which is a continuation of application No. 29/593,117, filed on Feb. 6, 2017, now Pat. No. Des. 839,048, which is a continuation of application No. 29/533,979, filed on Jul. 23, 2015, now Pat. No. Des. 780,515.
- (51) **LOC (13) Cl.** ..... **07-99**
- (52) **U.S. Cl.**  
USPC ..... **D7/416; D7/690; D7/682**
- (58) **Field of Classification Search**  
USPC ..... D7/690, 682, 376, 379, 416, 417, 407, D7/409, 515; D27/141, 154; D30/155; D13/100; D21/401, 402  
CPC .... A61B 18/1492; A61F 2/88; A47J 43/1093; A47J 37/079; B26D 2/26  
See application file for complete search history.

(56) **References Cited**

**U.S. PATENT DOCUMENTS**

D23,355 S *	6/1894	Harrah .....	D7/416
D109,993 S *	6/1938	Warner .....	D7/682
2,527,935 A *	10/1950	Joel .....	A63H 33/28 446/15
2,610,884 A *	9/1952	Enderle .....	A47G 21/00 294/15

**OTHER PUBLICATIONS**

“Electric Charcoal Lighter,” Big Green Egg—The Ultimate Cooking Experience, dated Aug. 28, 2011, <<http://www.biggreenegg.com/eggcessories>>.

(Continued)

*Primary Examiner* — Susan E Krakower

*Assistant Examiner* — Andrew Kerr

(74) *Attorney, Agent, or Firm* — Sterne, Kessler, Goldstein & Fox P.L.L.C.

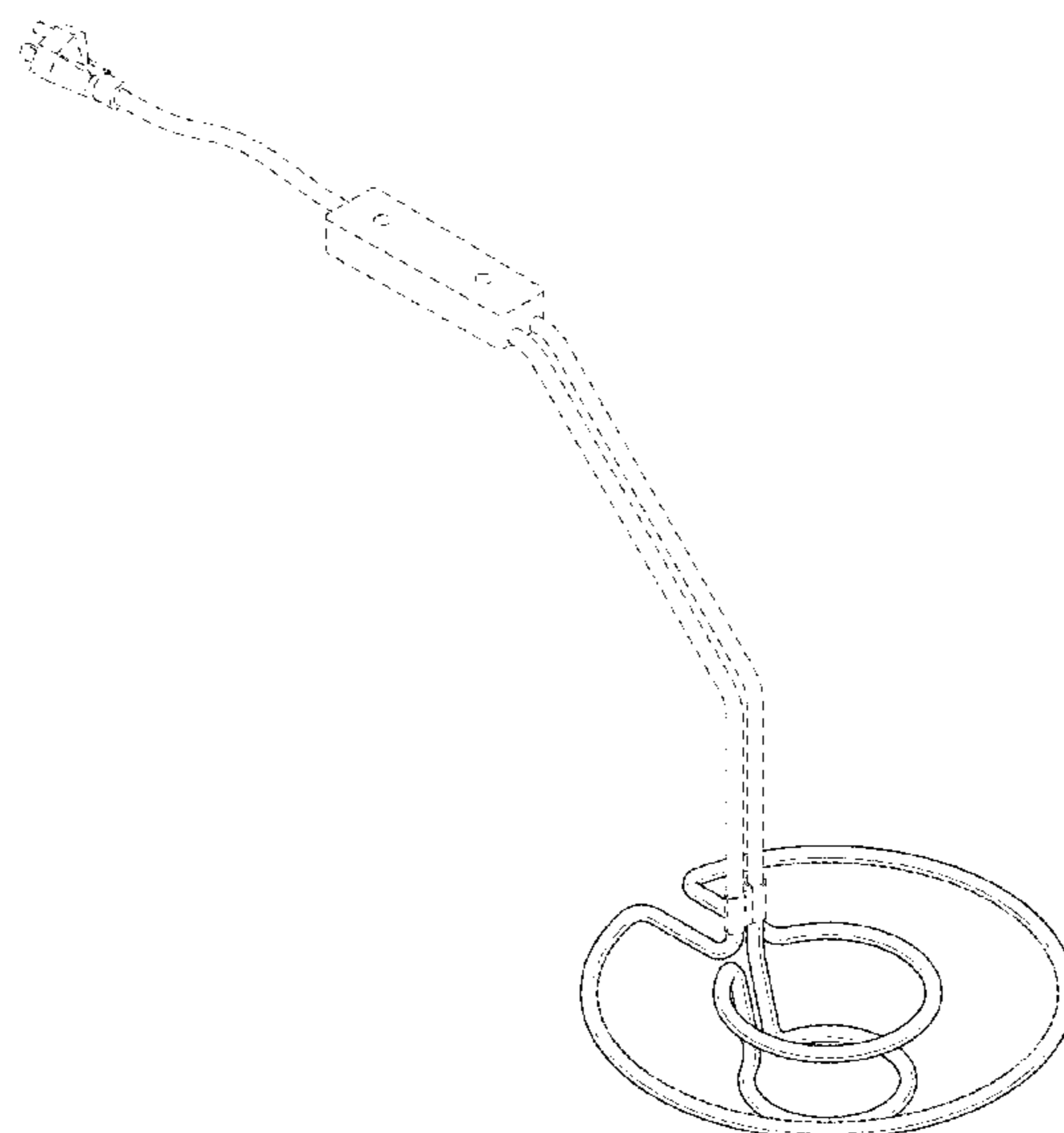
(57) **CLAIM**

The ornamental design for an electric lighter, as shown and described.

**DESCRIPTION**

FIG. 1 is a top front perspective view of an electric lighter showing my new design;  
FIG. 2 is a front view thereof;  
FIG. 3 is a rear view thereof;  
FIG. 4 is a right side view thereof;  
FIG. 5 is a left side view thereof;  
FIG. 6 is a top view thereof; and,  
FIG. 7 is a bottom view thereof.  
The broken lines in the figures show portions of the electric lighter that form no part of the claimed design.

**1 Claim, 5 Drawing Sheets**



(56)

**References Cited**

U.S. PATENT DOCUMENTS

5,035,665 A \* 7/1991 Sheng ..... A63H 33/28  
 446/15  
 5,135,388 A 8/1992 Pettit  
 5,228,521 A \* 7/1993 Sing ..... A01D 34/412  
 171/53  
 D346,530 S 5/1994 Elliot et al.  
 D372,624 S 8/1996 Chein  
 5,947,595 A 9/1999 Eurisch et al.  
 D429,972 S 8/2000 Wang et al.  
 6,607,520 B2 8/2003 Keane  
 D487,382 S 3/2004 Kaposi  
 D496,768 S 9/2004 Izumoto  
 D502,631 S 3/2005 Burke  
 D507,943 S 8/2005 Settele  
 6,929,466 B1 8/2005 Reese  
 D533,107 S \* 12/2006 King ..... D11/152  
 D568,203 S \* 5/2008 Lindberg ..... D11/146  
 D585,708 S 2/2009 Gransbury  
 7,819,868 B2 10/2010 Cao et al.

D711,771 S \* 8/2014 Madrid ..... D11/130  
 8,851,885 B2 10/2014 Wiles et al.  
 D739,293 S \* 9/2015 Penrod ..... D11/130  
 9,345,529 B2 5/2016 Mihalik  
 D795,209 S \* 8/2017 Murata ..... D13/182  
 D900,562 S \* 11/2020 Huang ..... D7/690  
 D909,831 S \* 2/2021 Kim ..... D7/690  
 11,002,447 B2 \* 5/2021 Roden ..... F23Q 7/02  
 D921,451 S \* 6/2021 Kim ..... D7/690  
 2006/0135953 A1 6/2006 Kania et al.

OTHER PUBLICATIONS

“Grill Dome Rapid-Lite Electric Charcoal Lighter,” BBQ Guys, accessed Mar. 16, 2015, <<http://www.bbqguys.com/>>.  
 “Electric Charcoal Starter,” BBQ Guys, accessed Mar. 16, 2015, <<http://bbqguys.com/>>.  
 “Bull Electric Charcoal Starter,” BBQ Guys, accessed Mar. 16, 2015, <<http://bbqguys.com/>>.

\* cited by examiner

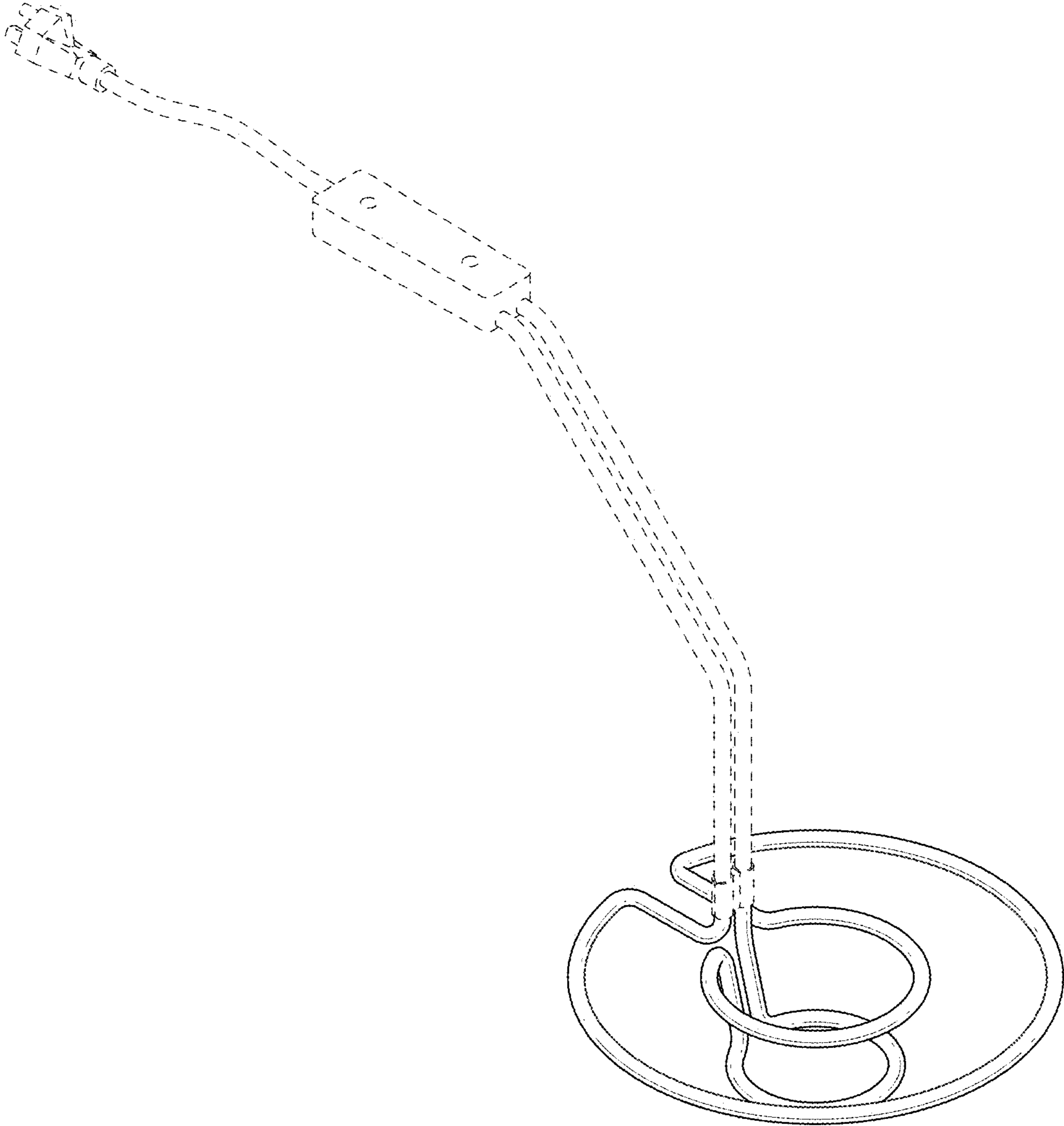
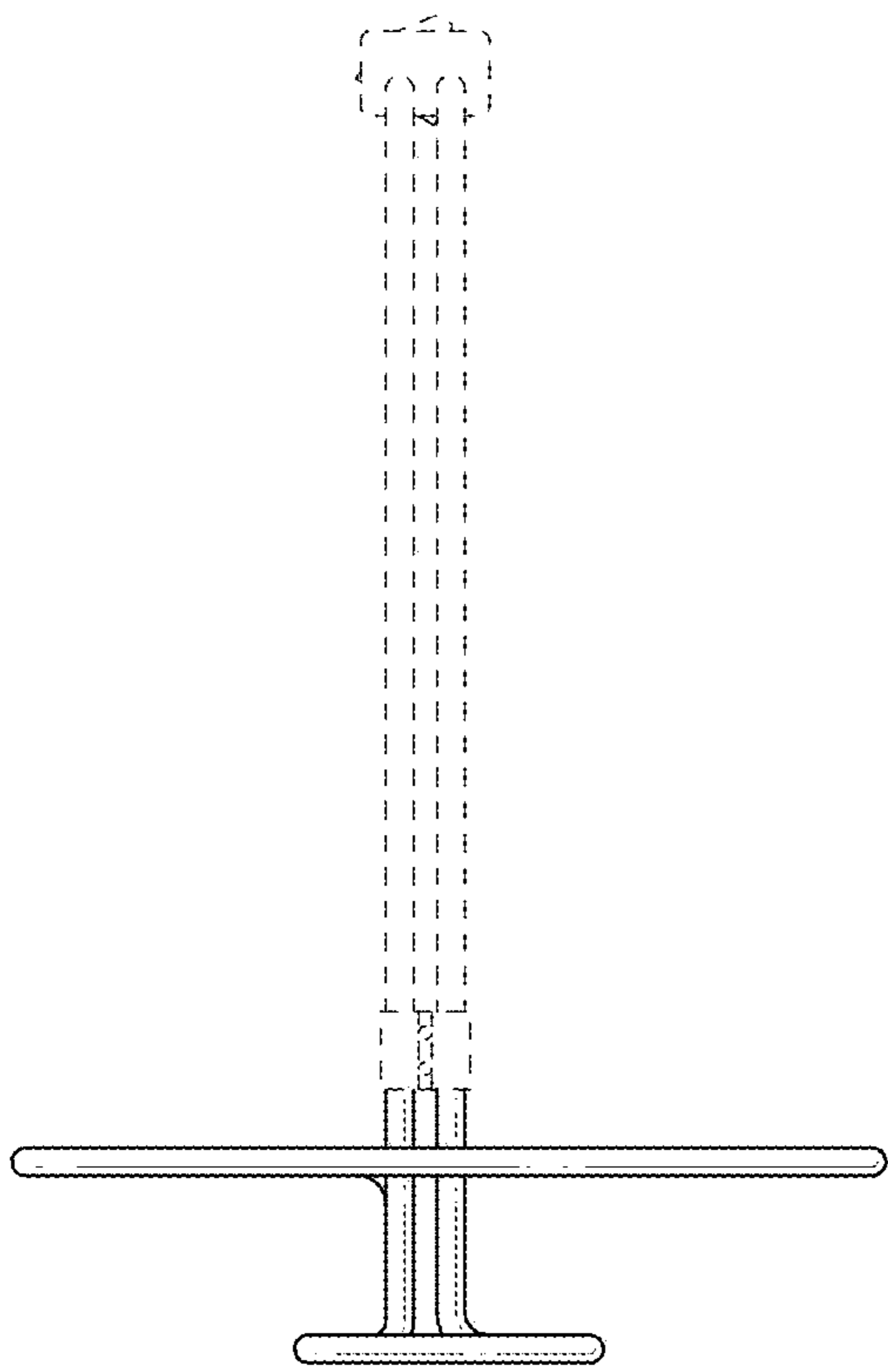
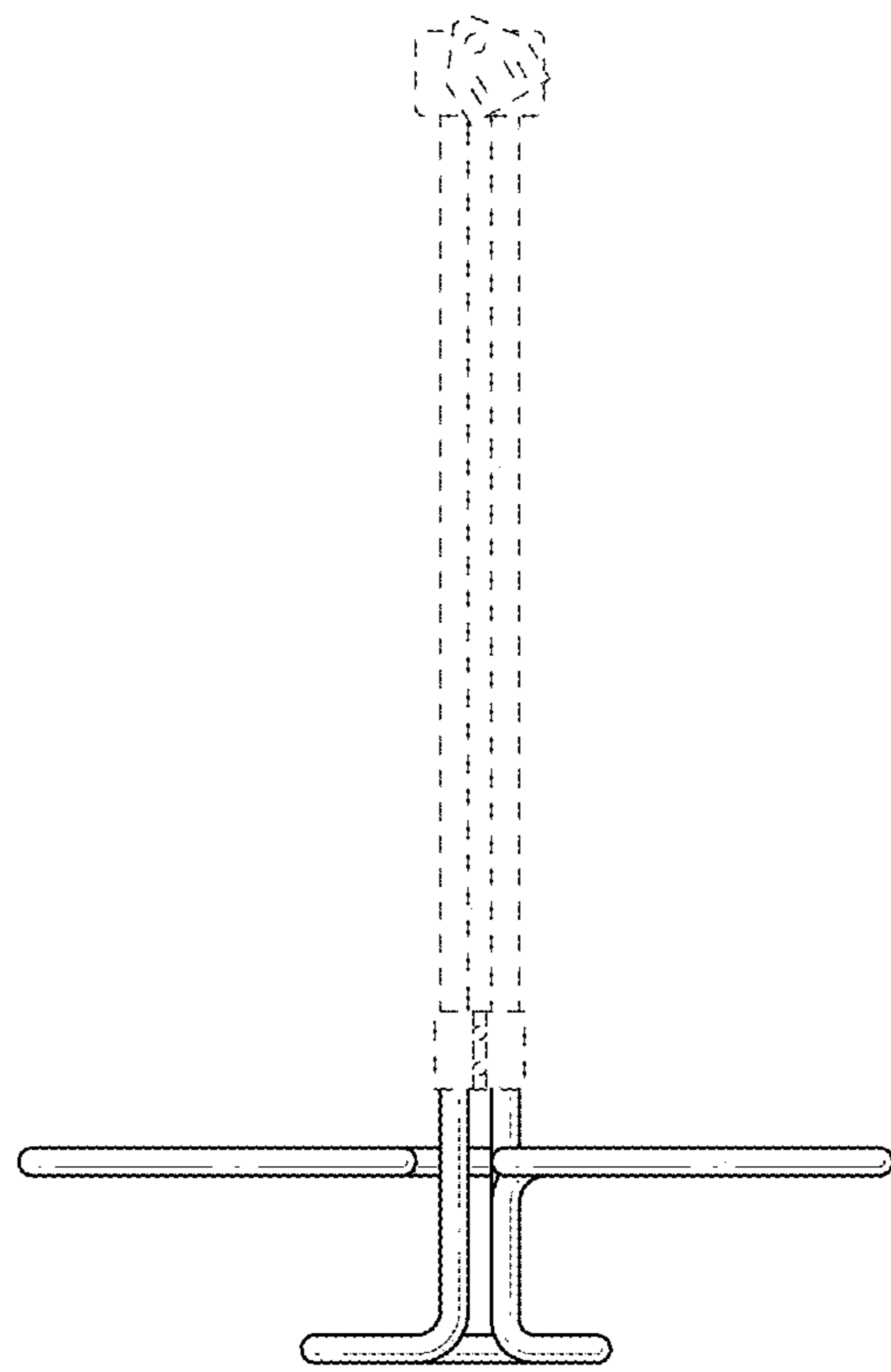


FIG. 1



**FIG. 2**



**FIG. 3**

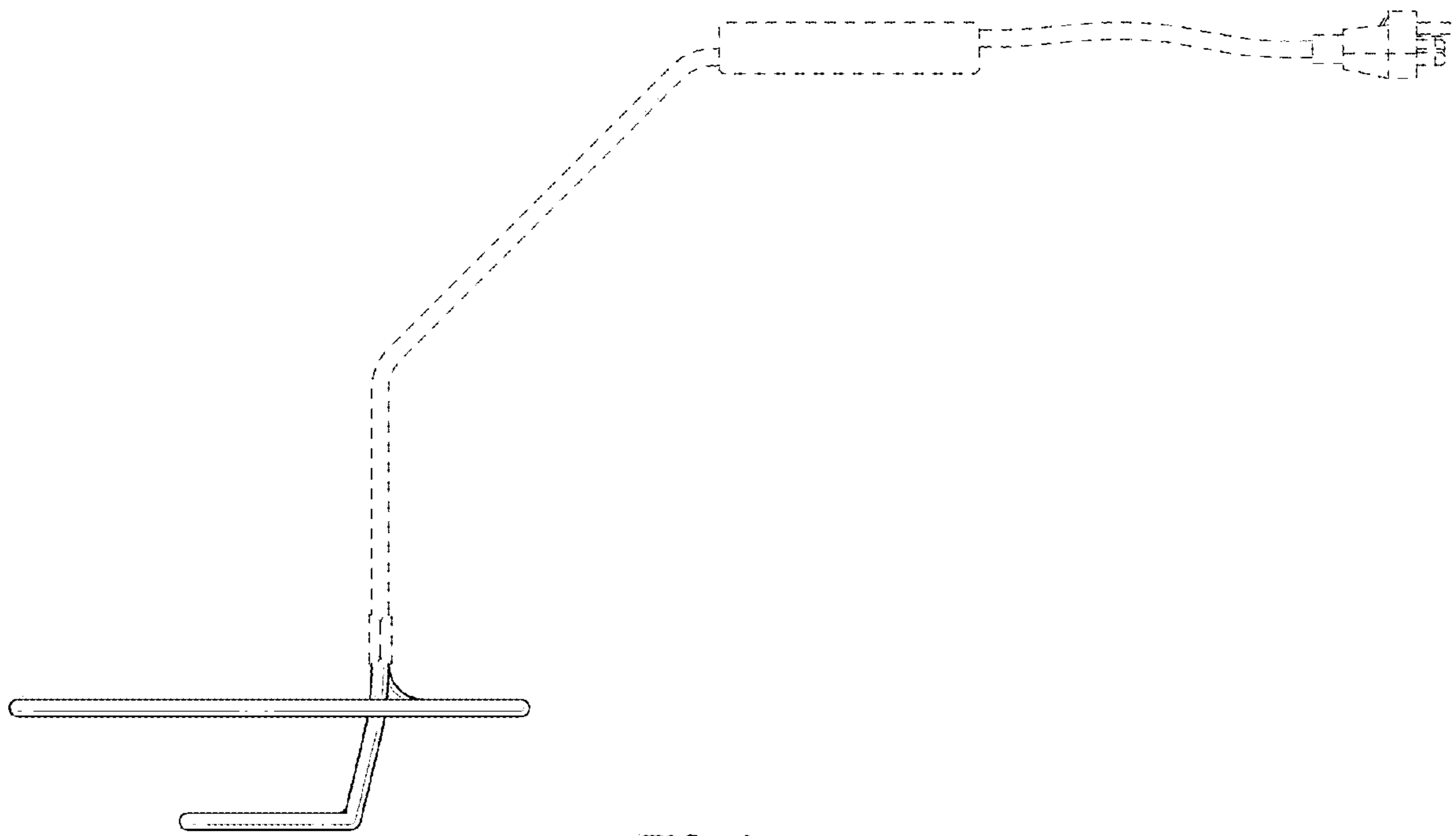


FIG. 4

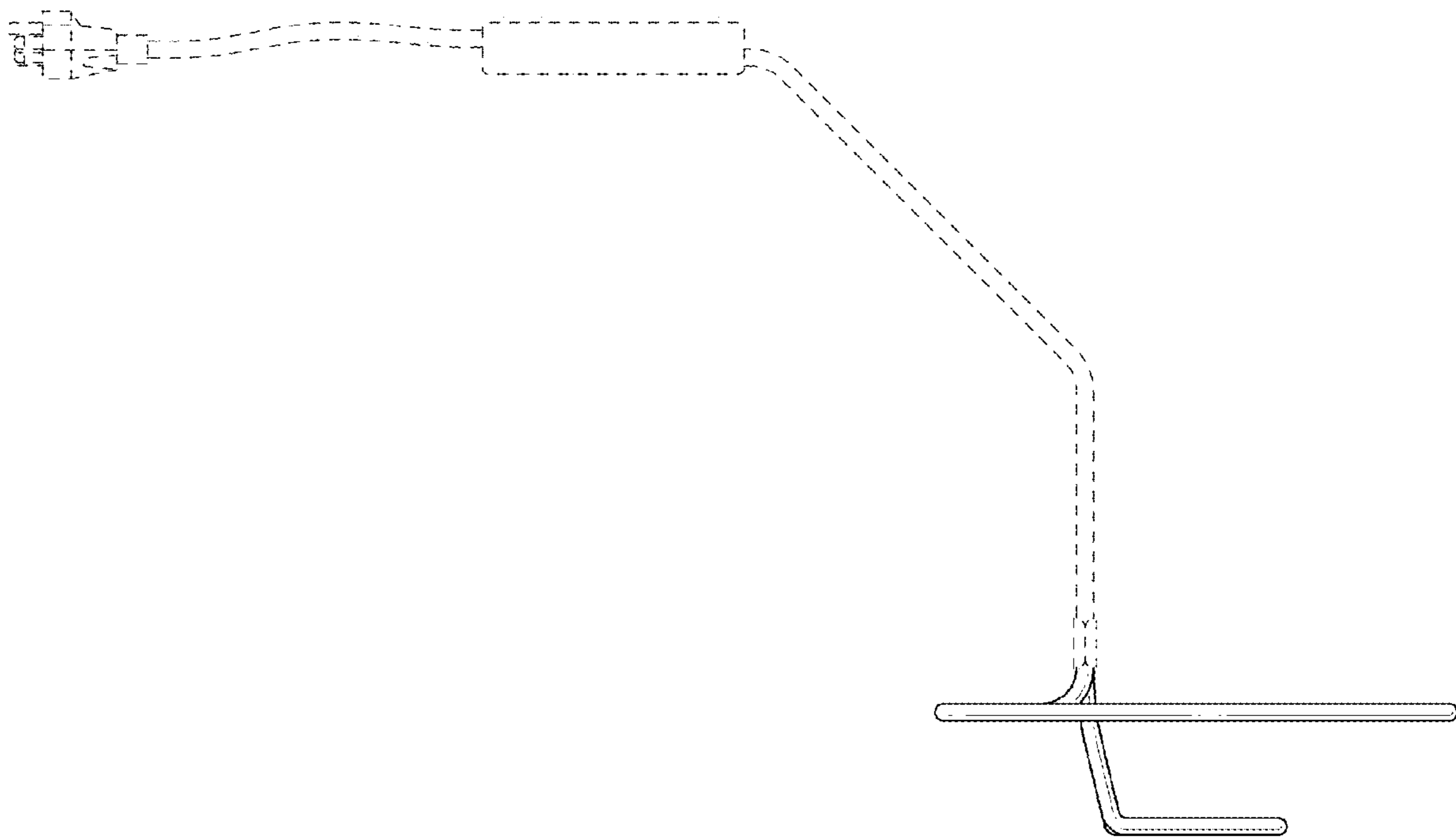


FIG. 5

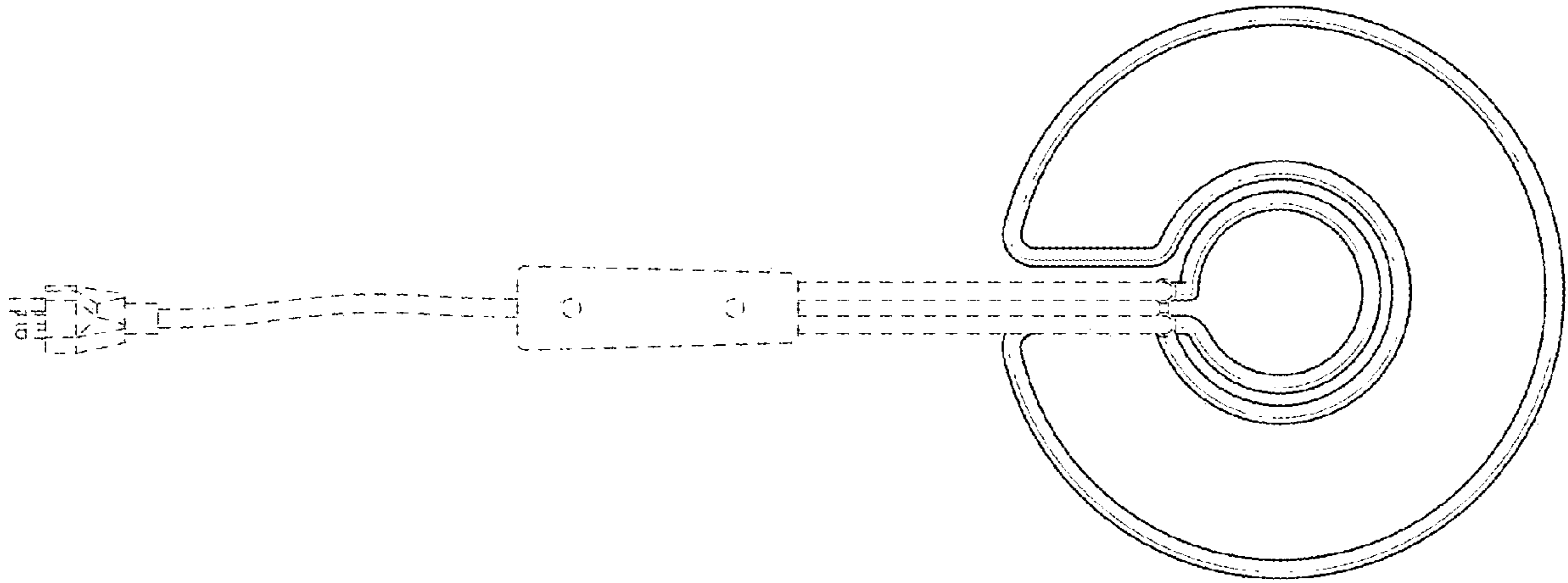


FIG. 6

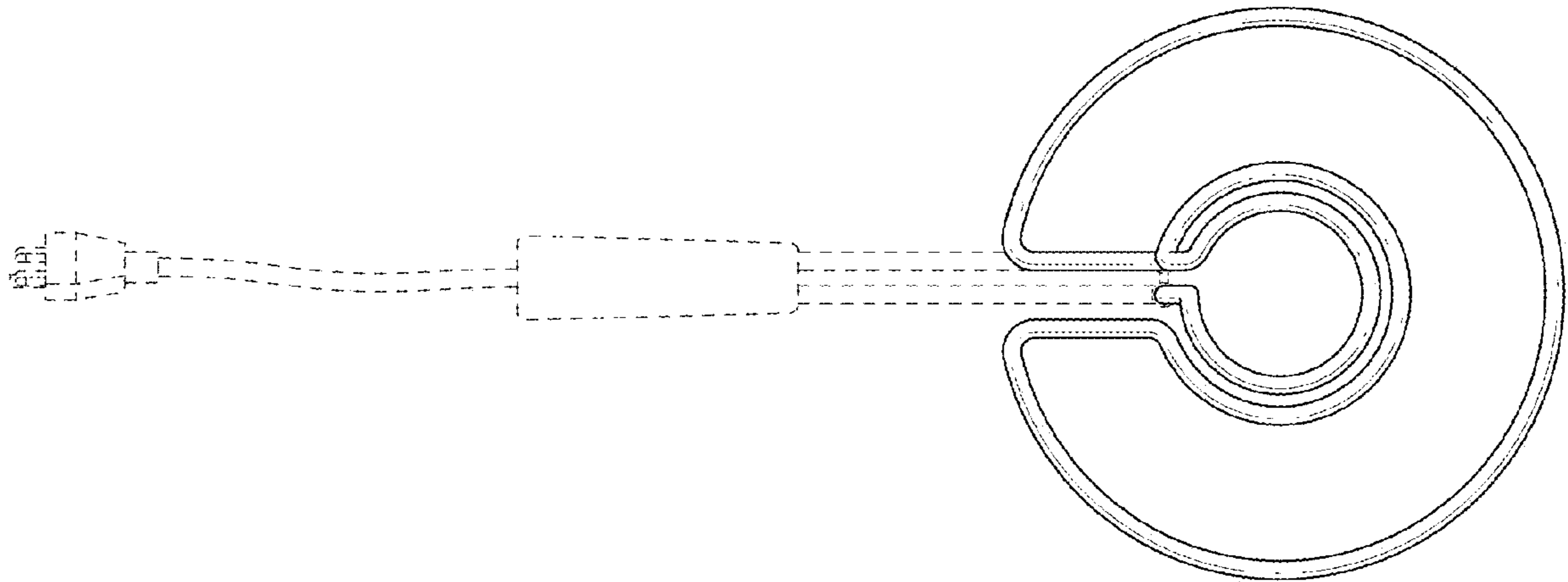


FIG. 7