



US00D935840S

(12) **United States Design Patent** (10) **Patent No.:** **US D935,840 S**
Carter et al. (45) **Date of Patent:** **** Nov. 16, 2021**

(54) **GRAVITY FED SMOKER**

D460,893 S * 7/2002 Rowe D7/334
D584,562 S * 1/2009 Chau D7/334
D607,263 S * 1/2010 Antwine D7/334
D690,983 S * 10/2013 Eftink D7/334

(71) Applicant: **Masterbuilt Manufacturing, LLC**,
Columbus, GA (US)

(Continued)

(72) Inventors: **Adam Carter**, Auburn, AL (US);
Caitlin McNulty, Columbus, GA (US);
Daniel John Mercer, Hamilton, GA
(US); **Ian Lee**, Columbus, GA (US);
Robert V. Terrell, Auburn, AL (US);
John D. McLemore, Hamilton, GA
(US)

FOREIGN PATENT DOCUMENTS

KR 20170000940 3/2017
WO 2018/191255 10/2018

(73) Assignee: **Masterbuilt Manufacturing, LLC**,
Columbus, GA (US)

OTHER PUBLICATIONS

Introducing the Masterbuilt Gravity Series 560 Grill + Smoker, first available Oct. 18, 2019, YouTube, [online], [site visited Jan. 19, 2021], Available from internet URL: <https://www.youtube.com/watch?v=FotwjLyaSLc> (Year: 2019).*

(**) Term: **15 Years**

(Continued)

(21) Appl. No.: **29/701,126**

Primary Examiner — Mary Ann Calabrese
Assistant Examiner — Natalya M Rapundalo
(74) *Attorney, Agent, or Firm* — Miller & Martin PLLC

(22) Filed: **Aug. 8, 2019**

(51) **LOC (13) Cl.** **07-02**

(52) **U.S. Cl.**
USPC **D7/402; D7/334**

(58) **Field of Classification Search**
USPC D7/323, 327, 332, 334, 335, 339, 347,
D7/348, 350.2, 350.3, 350.4, 354, 402
CPC .. A47J 33/00; A47J 36/38; A47J 37/00; A47J
37/04; A47J 37/06; A47J 37/0623; A47J
37/0629; A47J 37/0635; A47J 37/0647;
A47J 37/0652; A47J 37/0658; A47J
37/07; A47J 37/0704; A47J 37/0709;
A47J 37/0713; A47J 37/0718; A47J
37/0722; A47J 37/0727; A47J 37/075;
A47J 37/0754; A47J 37/0763; A47J
37/0786; A47J 2037/0777; F24C 1/16;
F24C 5/20

See application file for complete search history.

(56) **References Cited**

U.S. PATENT DOCUMENTS

4,043,312 A 8/1977 Kem
D377,391 S * 1/1997 Whitehurst, Sr. D23/329

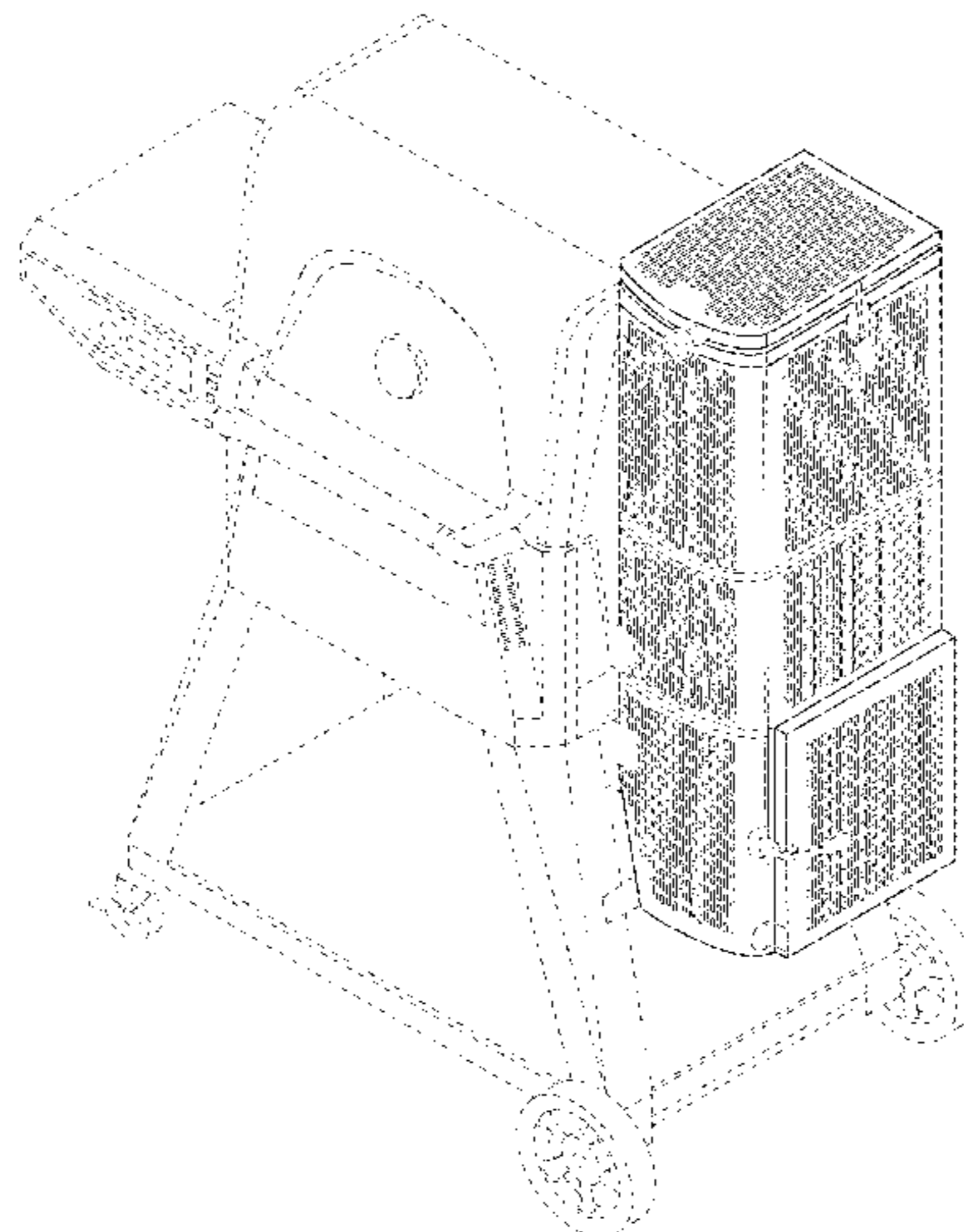
(57) **CLAIM**

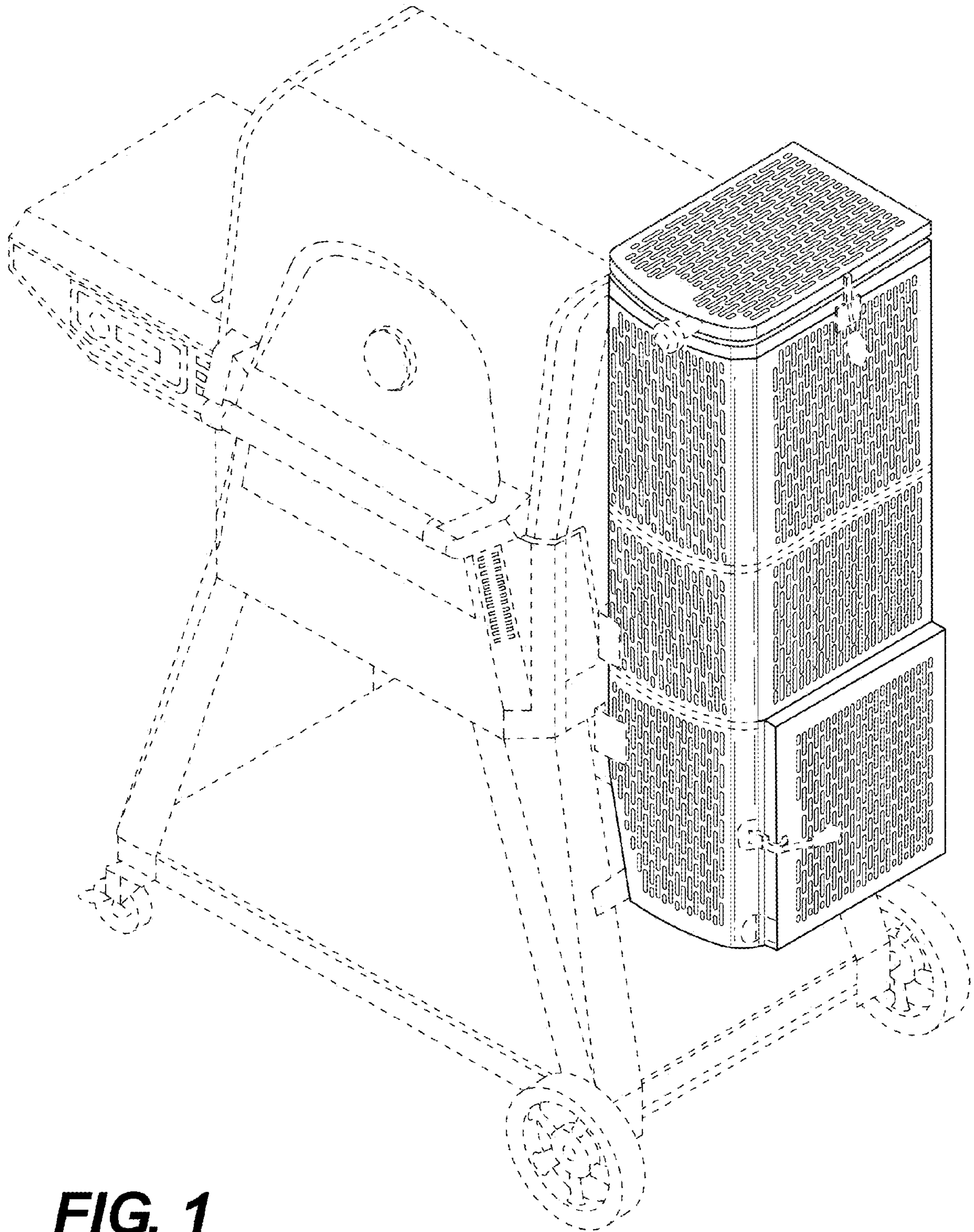
The ornamental design for a gravity fed smoker, as shown and described.

DESCRIPTION

FIG. 1 is a right side perspective view of the gravity fed smoker of the present invention;
FIG. 2 is a front elevation view of the gravity fed smoker;
FIG. 3 is a back elevation view of the gravity fed smoker;
FIG. 4 is a right side elevation view of the gravity fed smoker;
FIG. 5 is a left side elevation view of the gravity fed smoker;
and,
FIG. 6 is a top view of the gravity fed smoker.
The broken lines shown form no part of the claimed design.

1 Claim, 6 Drawing Sheets





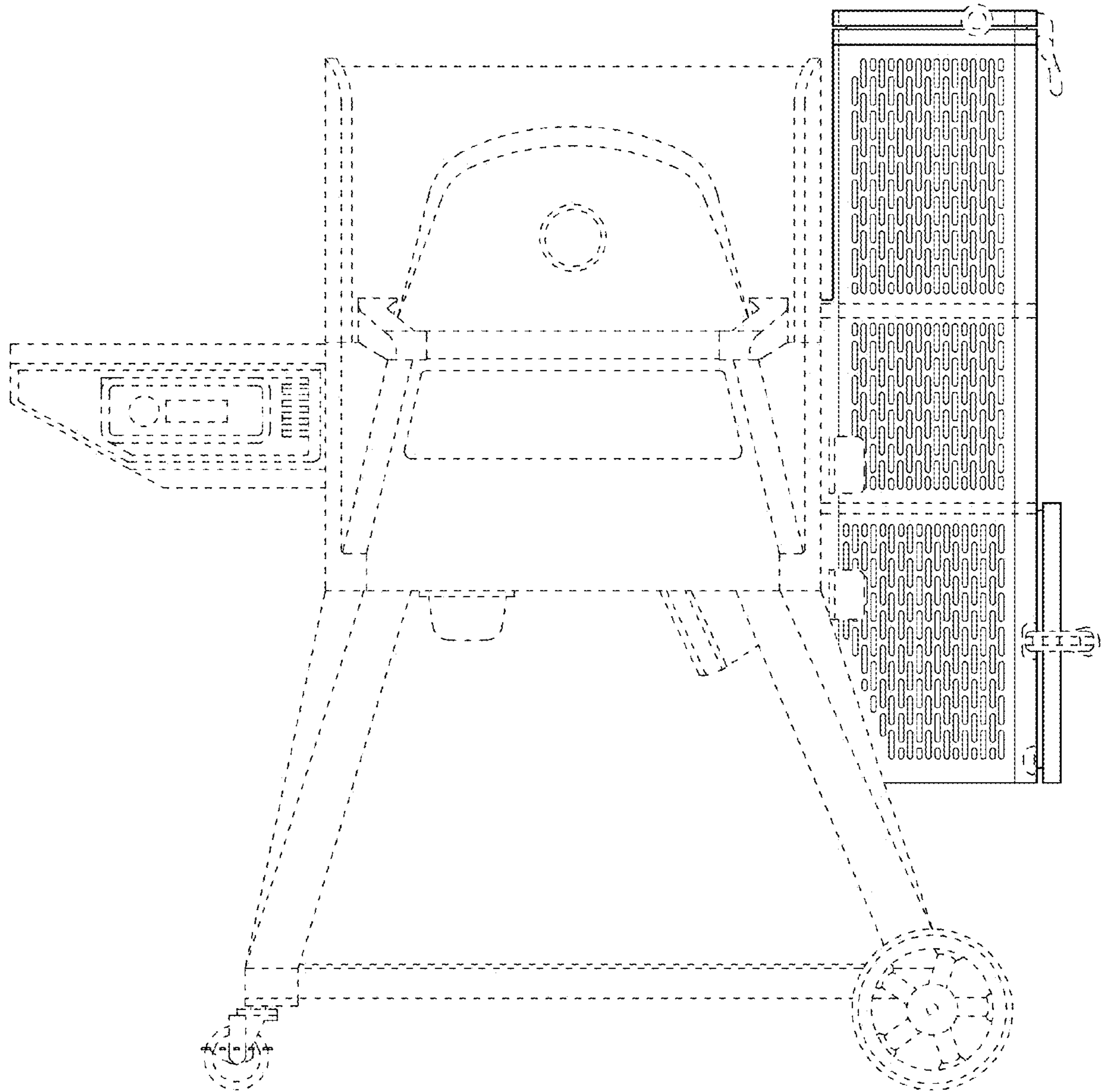


FIG. 2

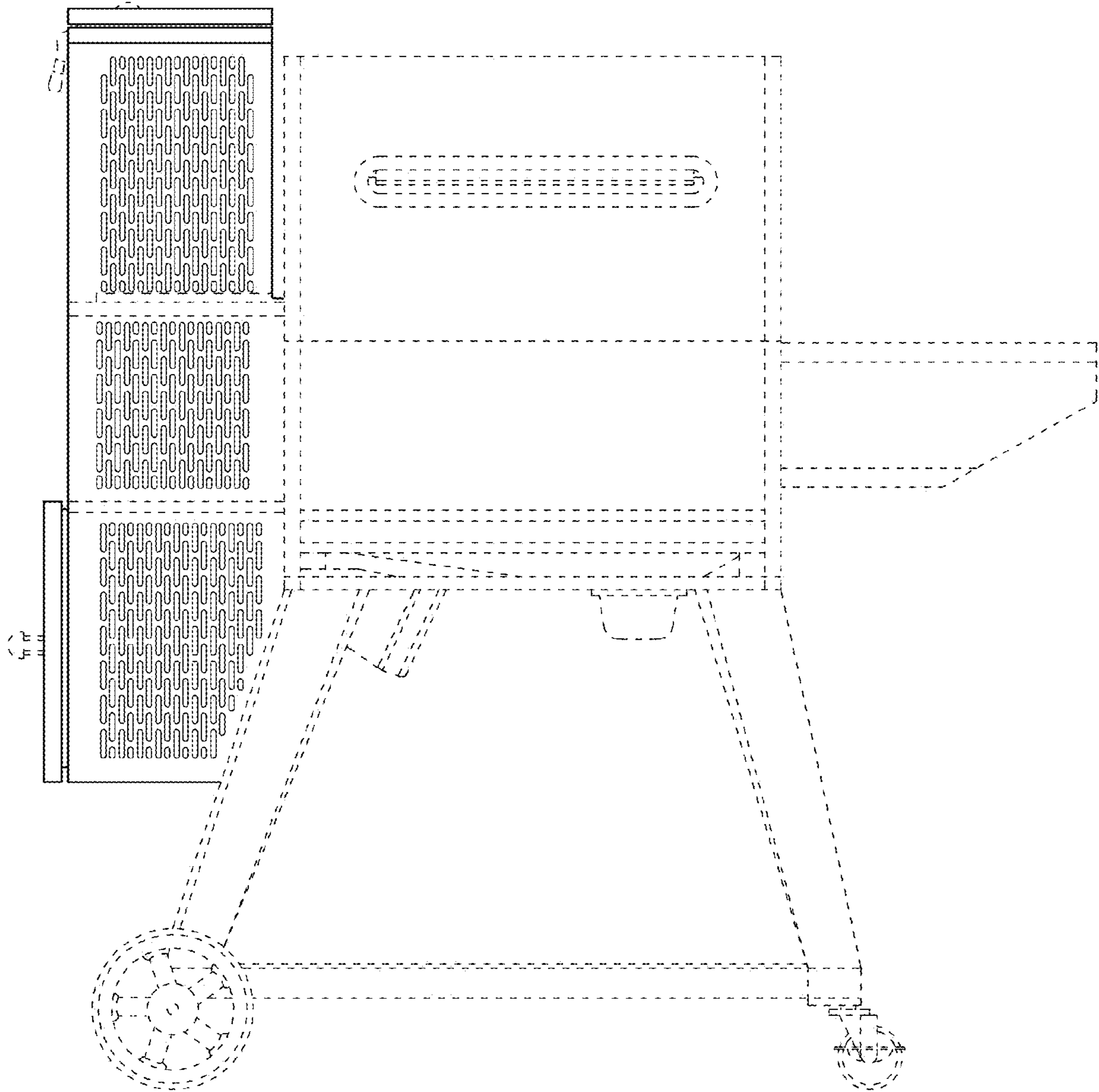


FIG. 3

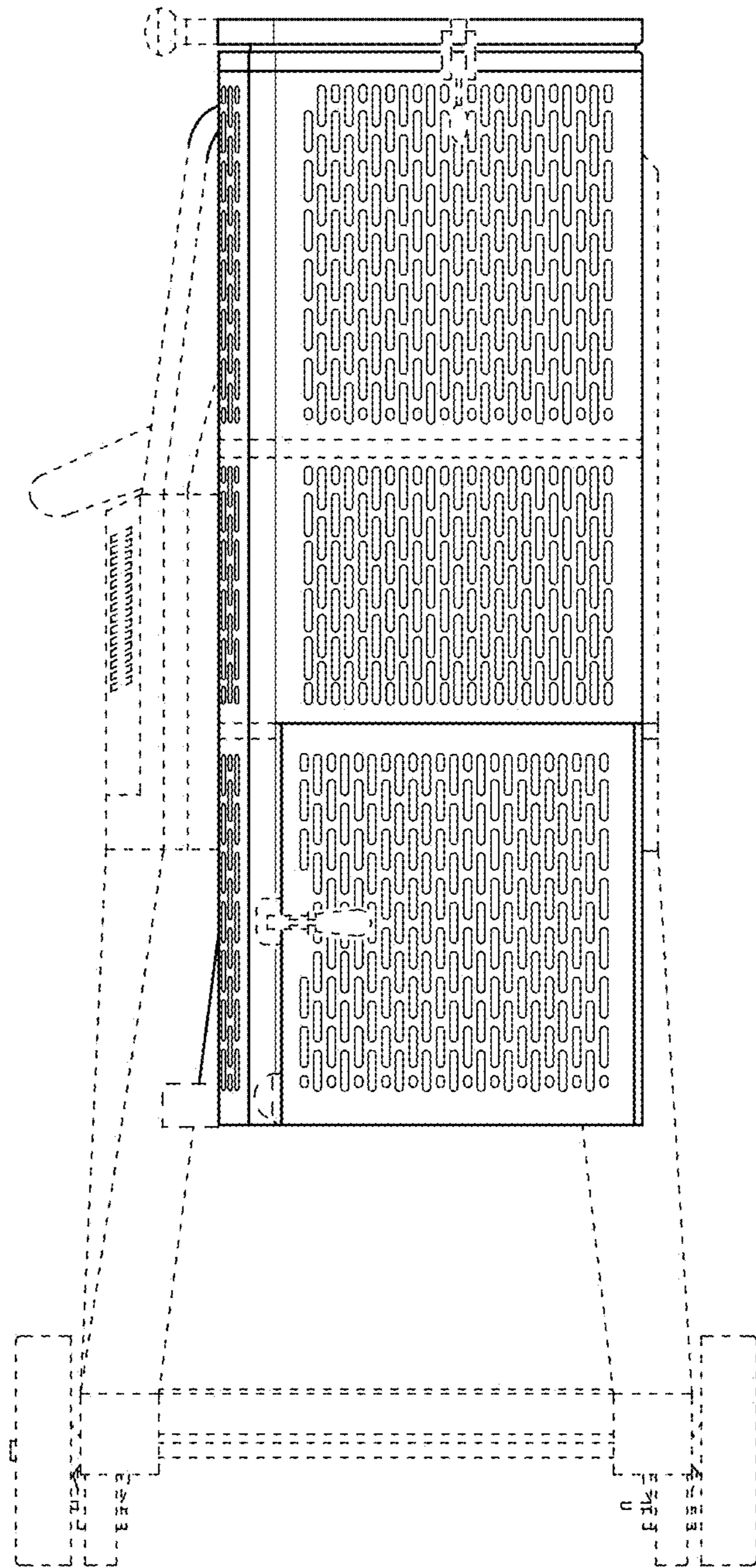


FIG. 4

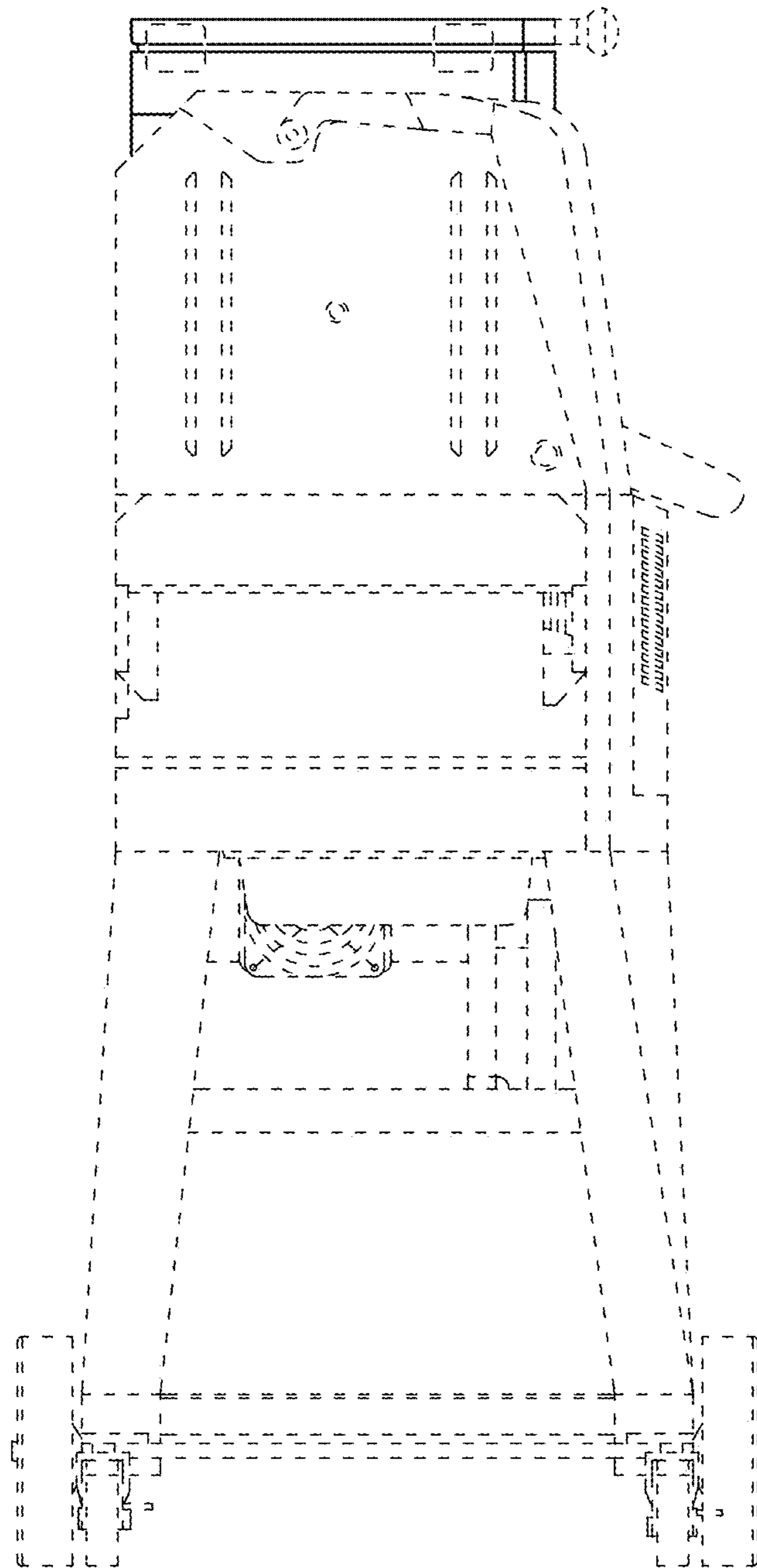


FIG. 5

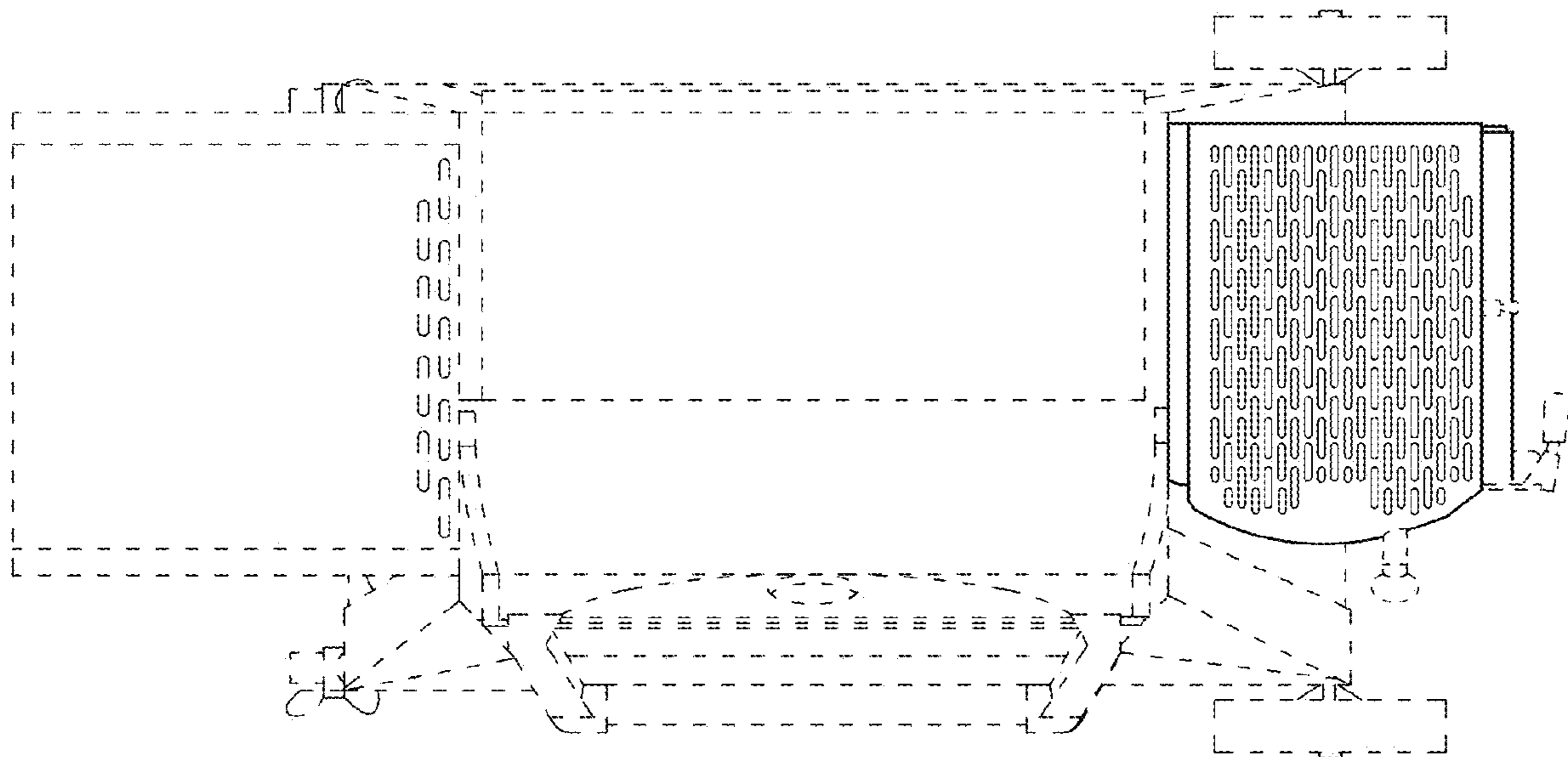


FIG. 6