



US00D935839S

(12) **United States Design Patent**
Spivey et al.

(10) **Patent No.:** **US D935,839 S**

(45) **Date of Patent:** **** Nov. 16, 2021**

(54) **CONTAINER CLIP**

(71) Applicant: **Base Brands, LLC**, Atlanta, GA (US)

(72) Inventors: **Patrick Spivey**, Atlanta, GA (US);
Kenneth Kreaflle, Atlanta, GA (US)

(73) Assignee: **Base Brands, LLC**, Atlanta, GA (US)

(**) Term: **15 Years**

(21) Appl. No.: **29/725,771**

(22) Filed: **Feb. 27, 2020**

(51) **LOC (13) Cl.** **07-99**

(52) **U.S. Cl.**

USPC **D7/396.2**; D7/387

(58) **Field of Classification Search**

USPC D7/387, 392.1, 396.2, 393, 394, 397,
D7/398, 510, 511, 213, 533, 536, 708.1;
D9/435, 436, 439, 440, 449

CPC A47G 19/22; A47G 19/2211; A47G
19/2222; A45F 3/16; B65D 41/04

See application file for complete search history.

(56) **References Cited**

U.S. PATENT DOCUMENTS

D363,414 S *	10/1995	Goto	D7/511
D370,384 S *	6/1996	Shamis	D7/393
D398,187 S *	9/1998	Parker	D7/510
D496,584 S *	9/2004	Darr	B65D 23/106
				D8/307
D508,200 S *	8/2005	Cagle	D9/434
D523,150 S *	6/2006	Horn	D24/199
7,195,137 B2 *	3/2007	Belcastro	A47G 23/0233
				220/254.3
D589,793 S *	4/2009	Christensen	D9/434
D598,746 S *	8/2009	Caldwell	D9/435
D598,747 S *	8/2009	Caldwell	D9/435

(Continued)

OTHER PUBLICATIONS

https://www.amazon.com/GarageSeoul-Outdoor-Camping-Traveling-Cellphone/dp/B07C738KS5/ref=sr_1_69?crd=3032ZXHDZLCCM

&dchild=1&keywords=bottle+neck+holder&qid=1627072821
&sr=8-69 (Year: 2018).*

Primary Examiner — Jae Liang

(74) *Attorney, Agent, or Firm* — Park, Vaughan, Fleming
& Dowler LLP

(57) **CLAIM**

The ornamental designs for a container clip, as shown and described.

DESCRIPTION

FIG. 1 is a top perspective view of a container clip showing our new design.

FIG. 2 is another top perspective view of the container clip.

FIG. 3 is a top view of the container clip.

FIG. 4 is a bottom view of the container clip.

FIG. 5 is a front view of the container clip.

FIG. 6 is a back view of the container clip.

FIG. 7 is a left side view of the container clip.

FIG. 8 is a right side view of the container clip.

FIG. 9 is an exploded top perspective view of the container clip shown in FIG. 1.

FIG. 10 is another exploded perspective view thereof.

FIG. 11 is an exploded top view thereof.

FIG. 12 is an exploded bottom view thereof.

FIG. 13 is an exploded front view thereof.

FIG. 14 is an exploded back view thereof.

FIG. 15 is an exploded left side view thereof.

FIG. 16 is an exploded right side view thereof.

FIG. 17 is an environmental perspective view thereof

FIG. 18 is an environmental top view thereof.

FIG. 19 is an environmental bottom view thereof.

FIG. 20 is an environmental front view thereof.

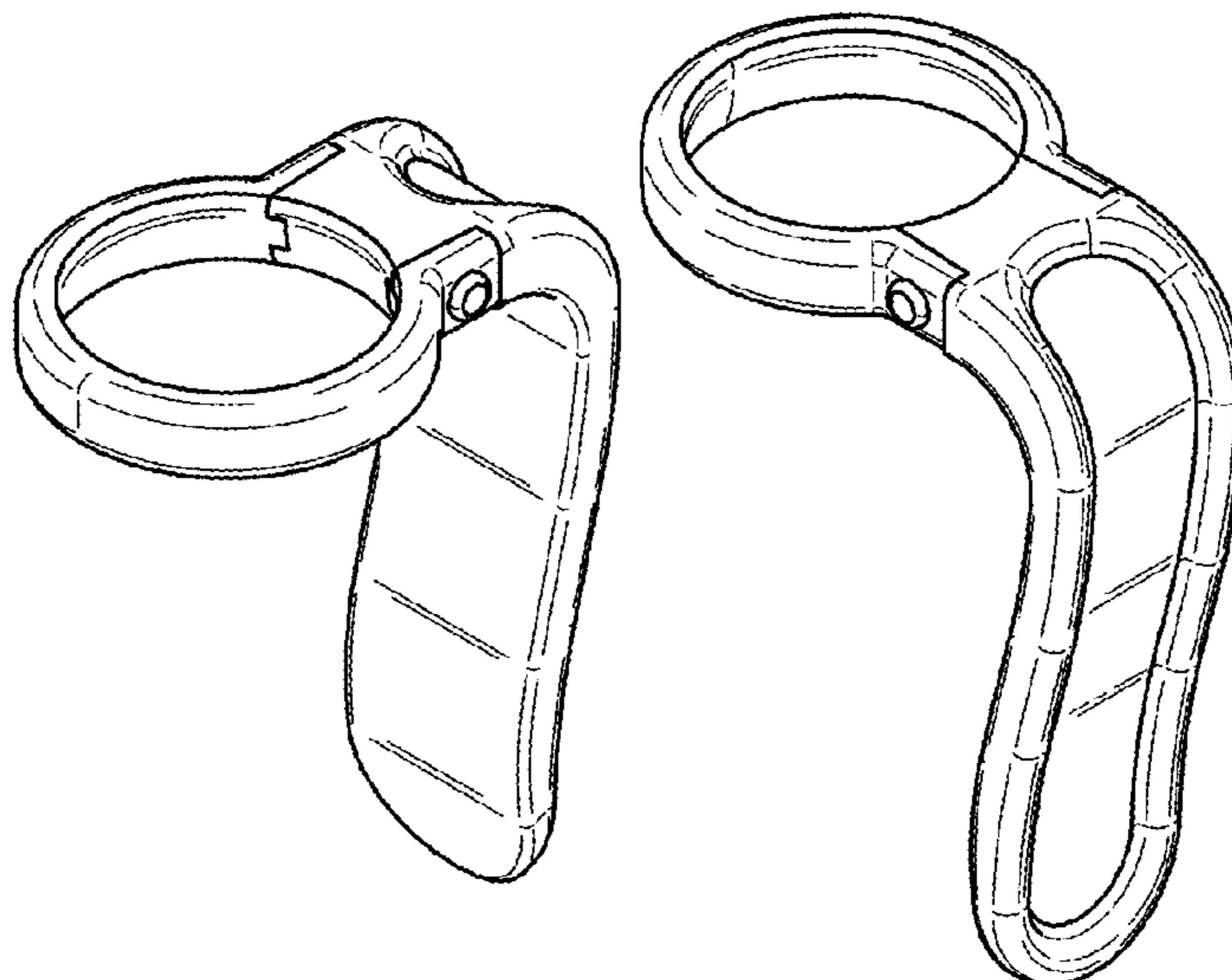
FIG. 21 is an environmental back view thereof.

FIG. 22 is an environmental left side view thereof; and,

FIG. 23 is an environmental right side view thereof.

The dashed lines in FIGS. 17-23 represent environmental structure and form no part of the claimed designs.

1 Claim, 13 Drawing Sheets



(56)

References Cited

U.S. PATENT DOCUMENTS

D746,679 S * 1/2016 Jasso Gomez D9/443
D758,793 S * 6/2016 Ho D7/393
D760,021 S * 6/2016 Lapsker D7/394
D773,241 S * 12/2016 Arseneau D7/394
D777,511 S * 1/2017 Williams D7/396.2
D801,124 S * 10/2017 Sanford D7/622
D811,161 S * 2/2018 Boroski D7/394
D812,984 S * 3/2018 Seiders D7/622
D814,242 S * 4/2018 Seiders D7/523
D817,087 S * 5/2018 Silsby D7/396.2
10,034,580 B2 * 7/2018 Seiders A47J 41/02
D831,416 S * 10/2018 Tosdale D7/393
D864,660 S * 10/2019 Omdahl, II D7/396.2
D871,134 S * 12/2019 Silsby D7/392.1
D880,232 S * 4/2020 Silsby D7/396.2
D886,515 S * 6/2020 Eyal D7/392.1
D887,771 S * 6/2020 Washburn D7/392.1
D887,773 S * 6/2020 Fourie D7/392.1
2002/0066758 A1 * 6/2002 Fadal, II B65D 23/003
224/148.7
2013/0032606 A1 * 2/2013 Lafever A47G 19/2222
220/710
2019/0112112 A1 * 4/2019 Choltco-Devlin
B65D 43/0225

* cited by examiner

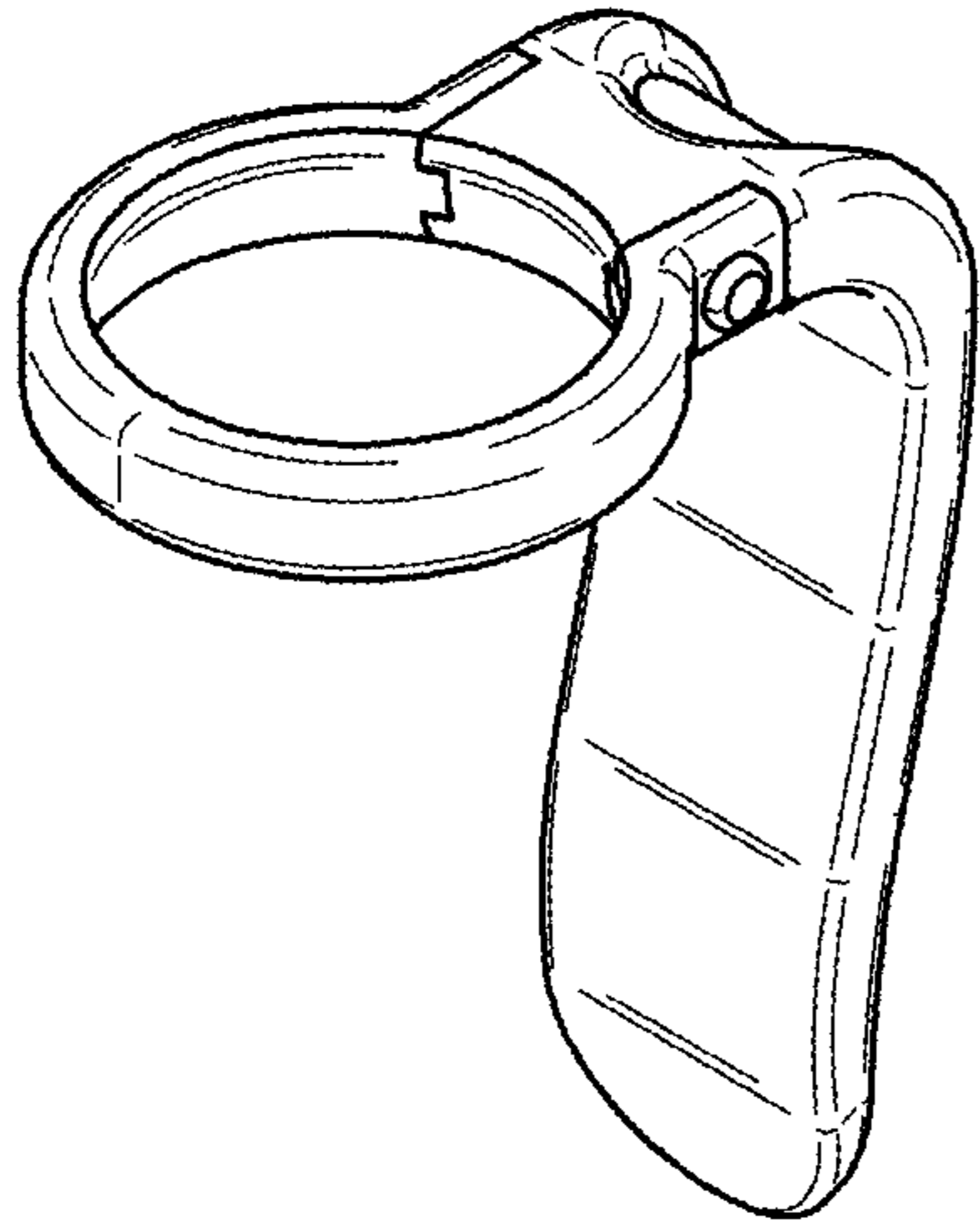


FIG. 1

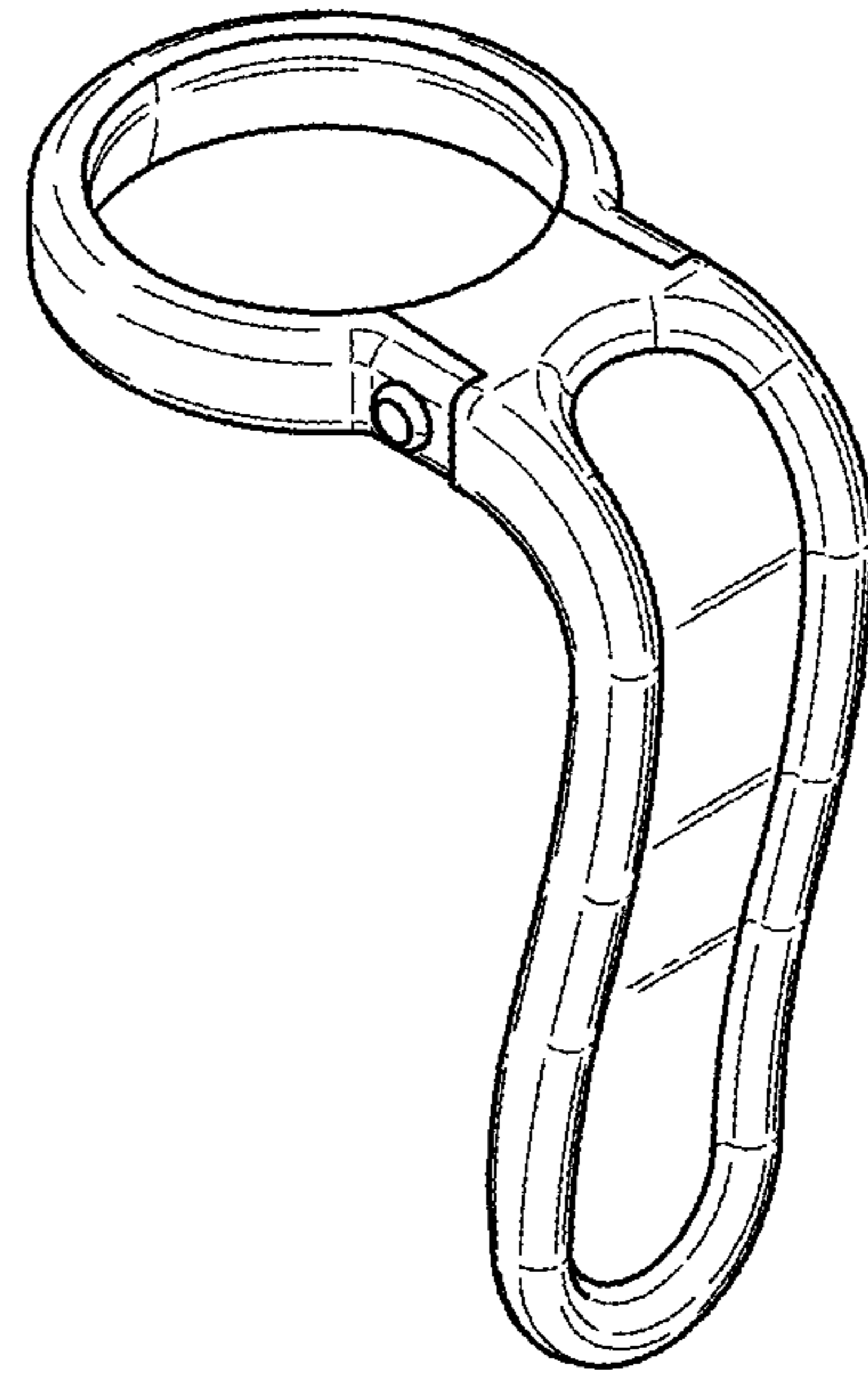


FIG. 2

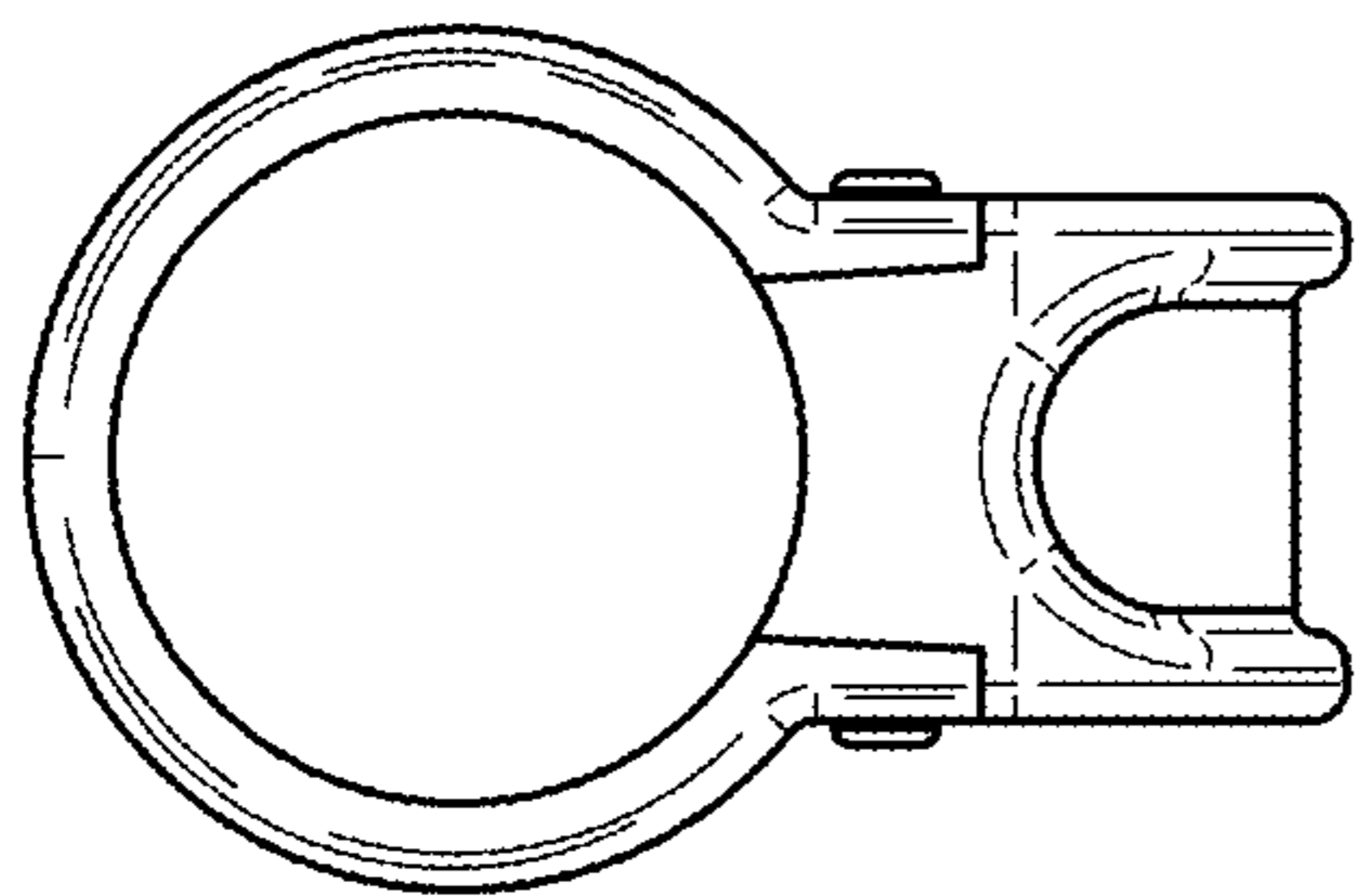


FIG. 3

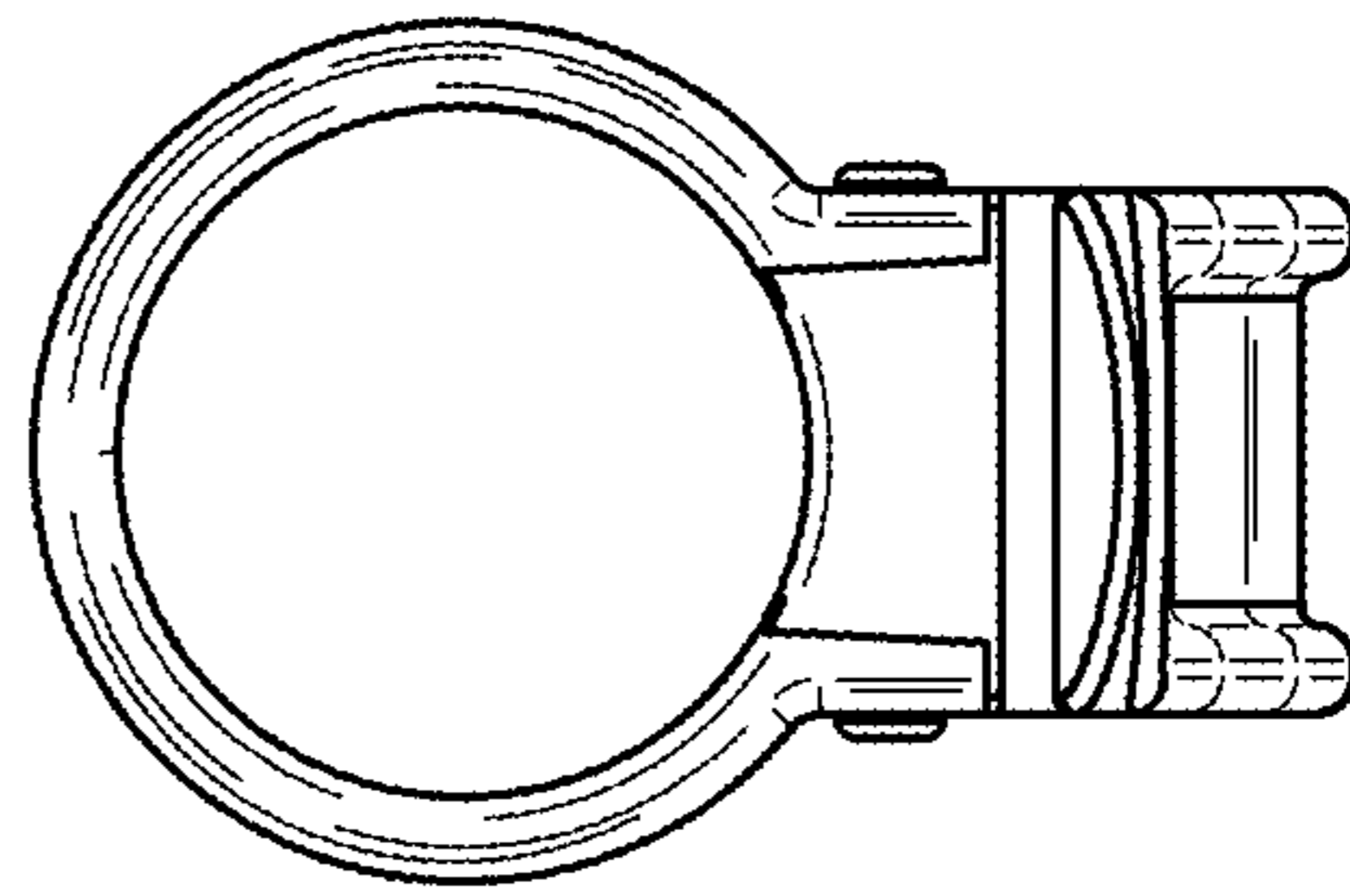


FIG. 4

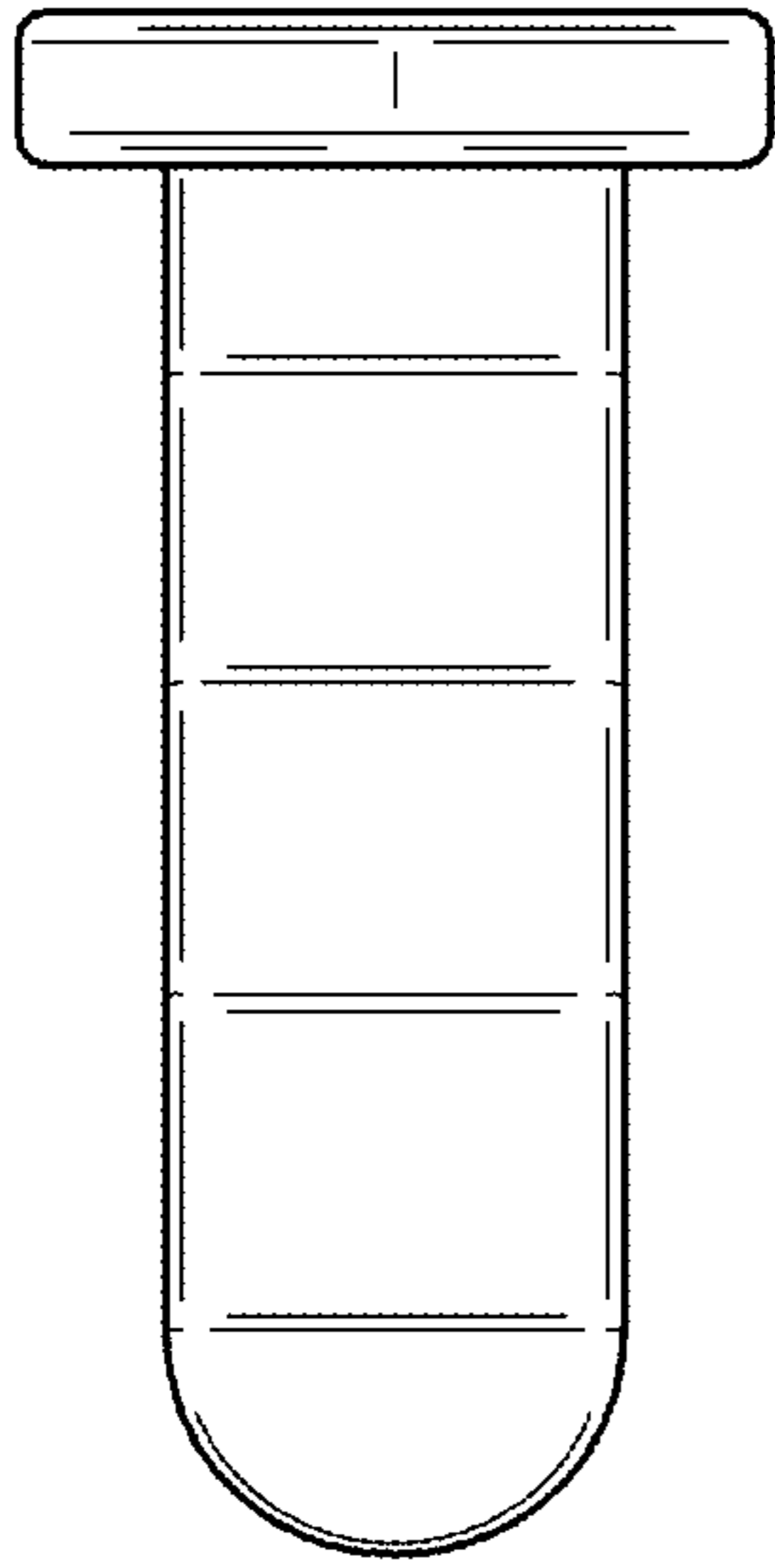


FIG. 5

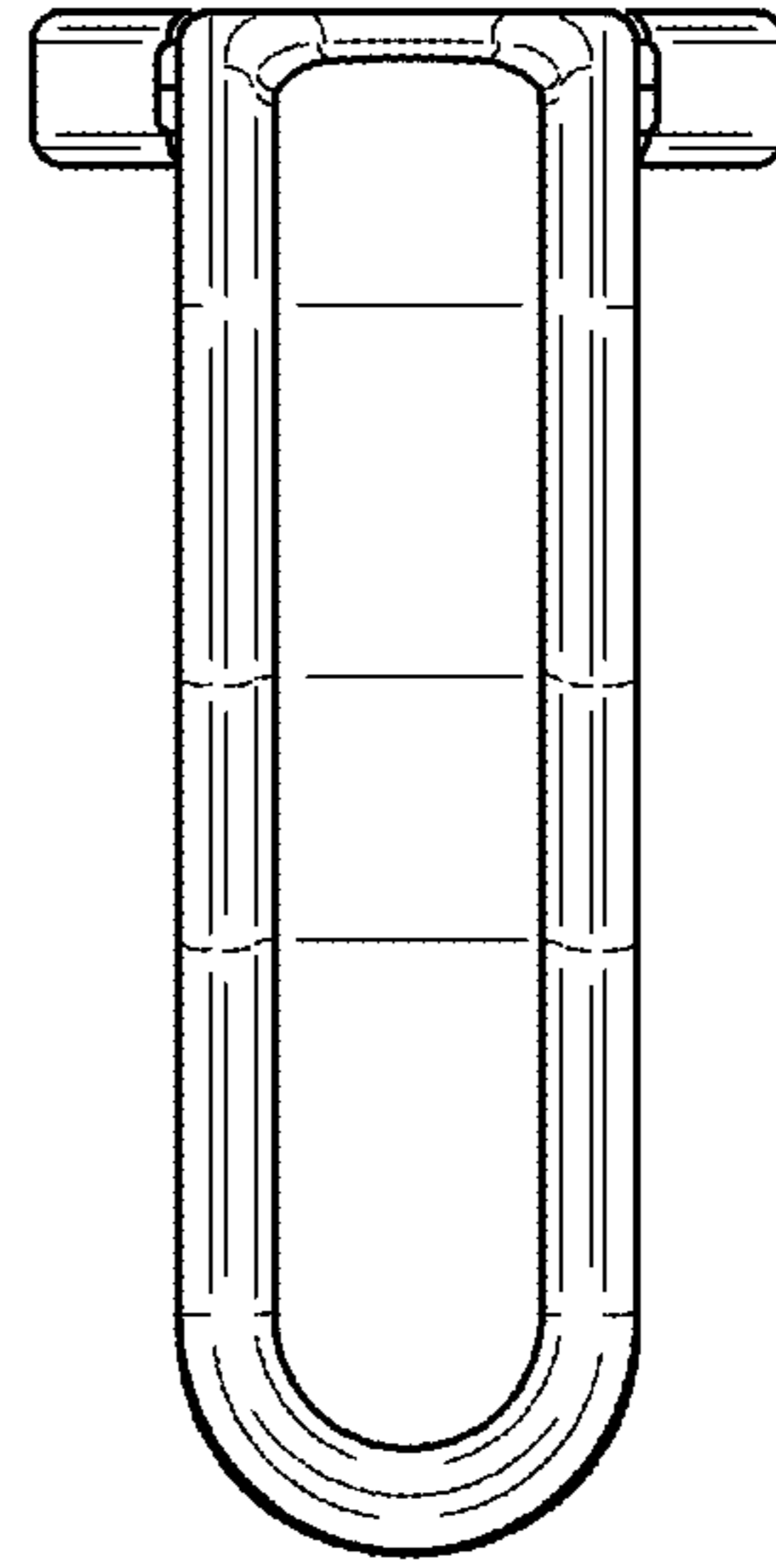


FIG. 6

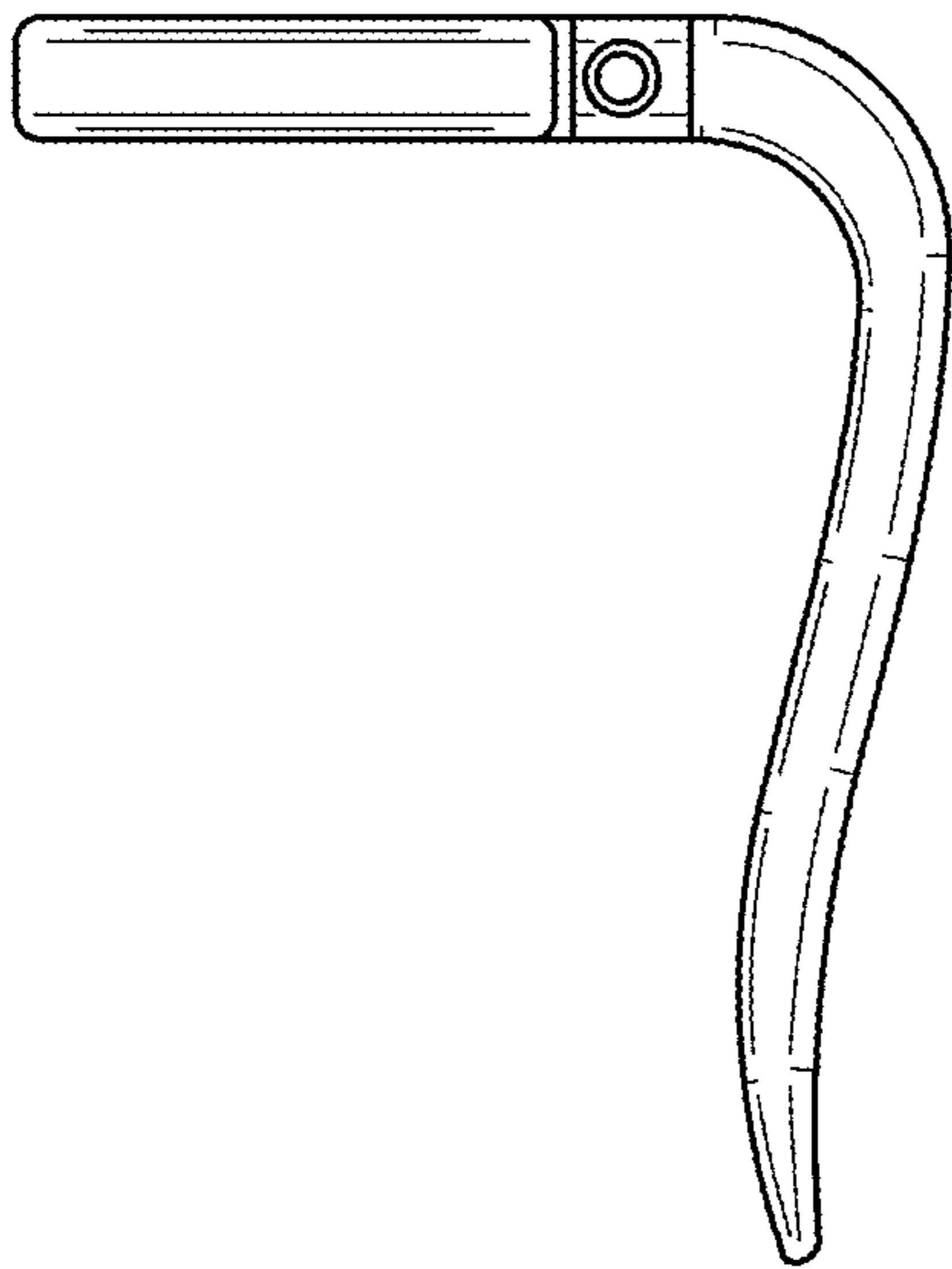


FIG. 7

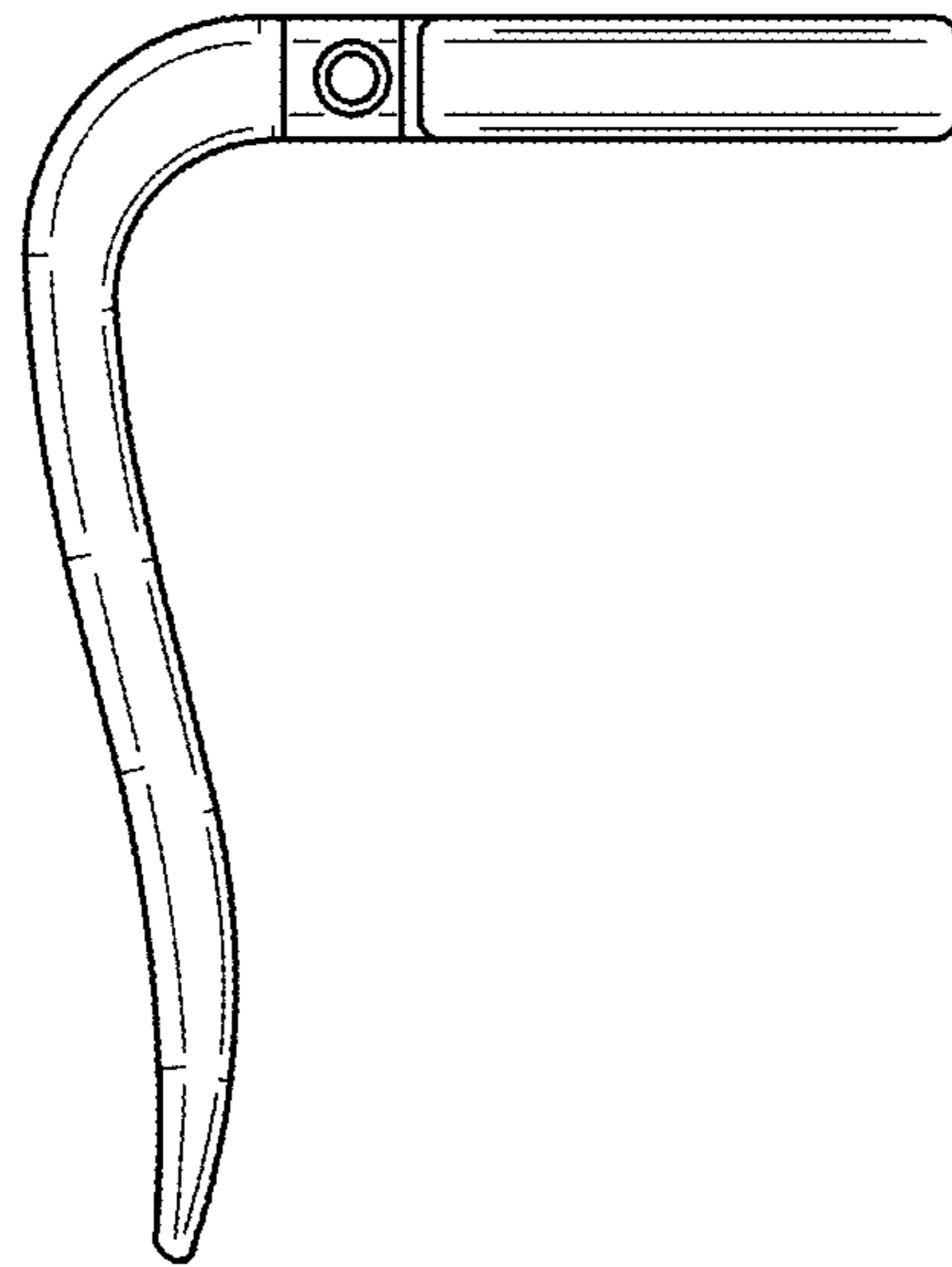


FIG. 8

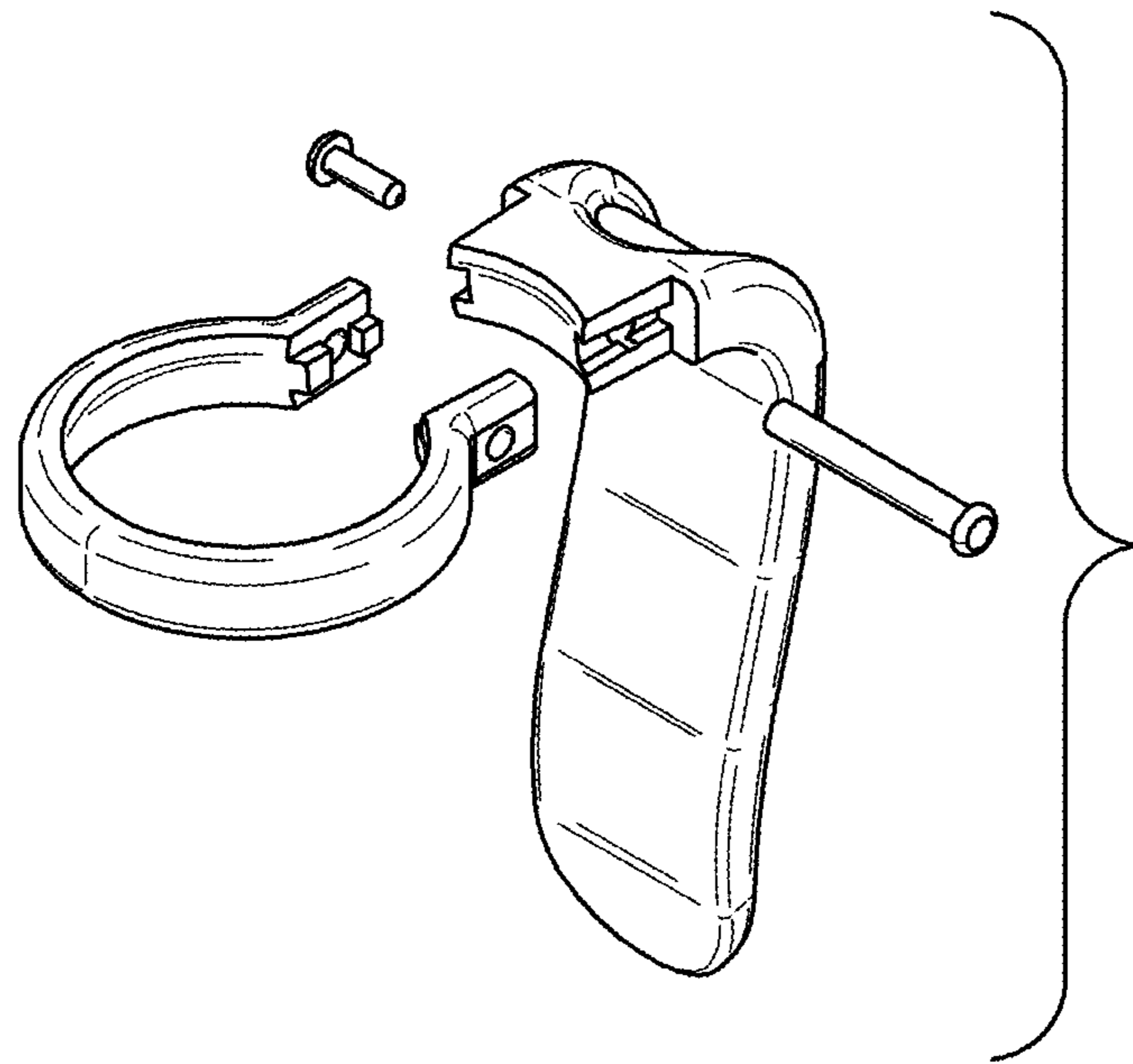


FIG. 9

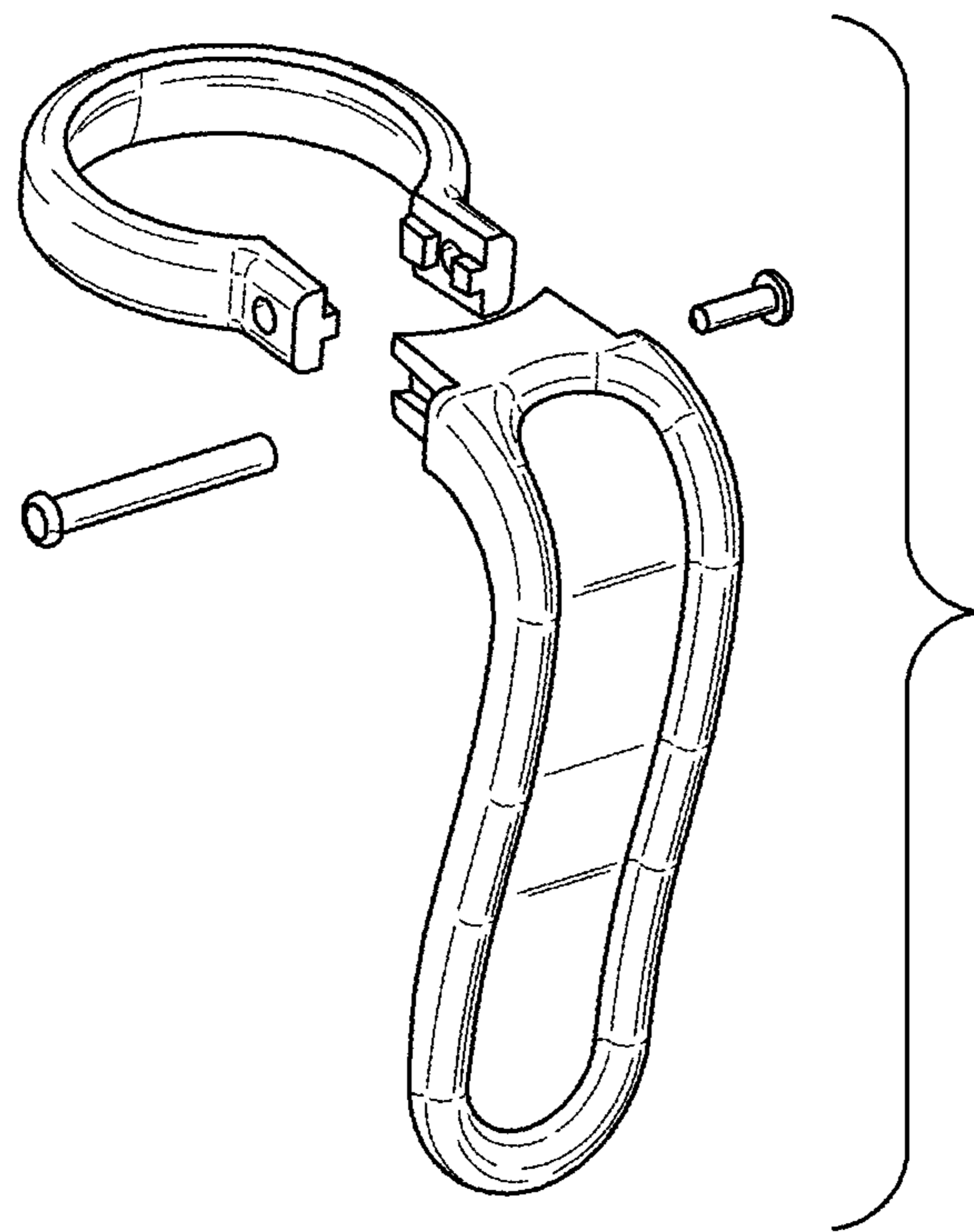


FIG. 10

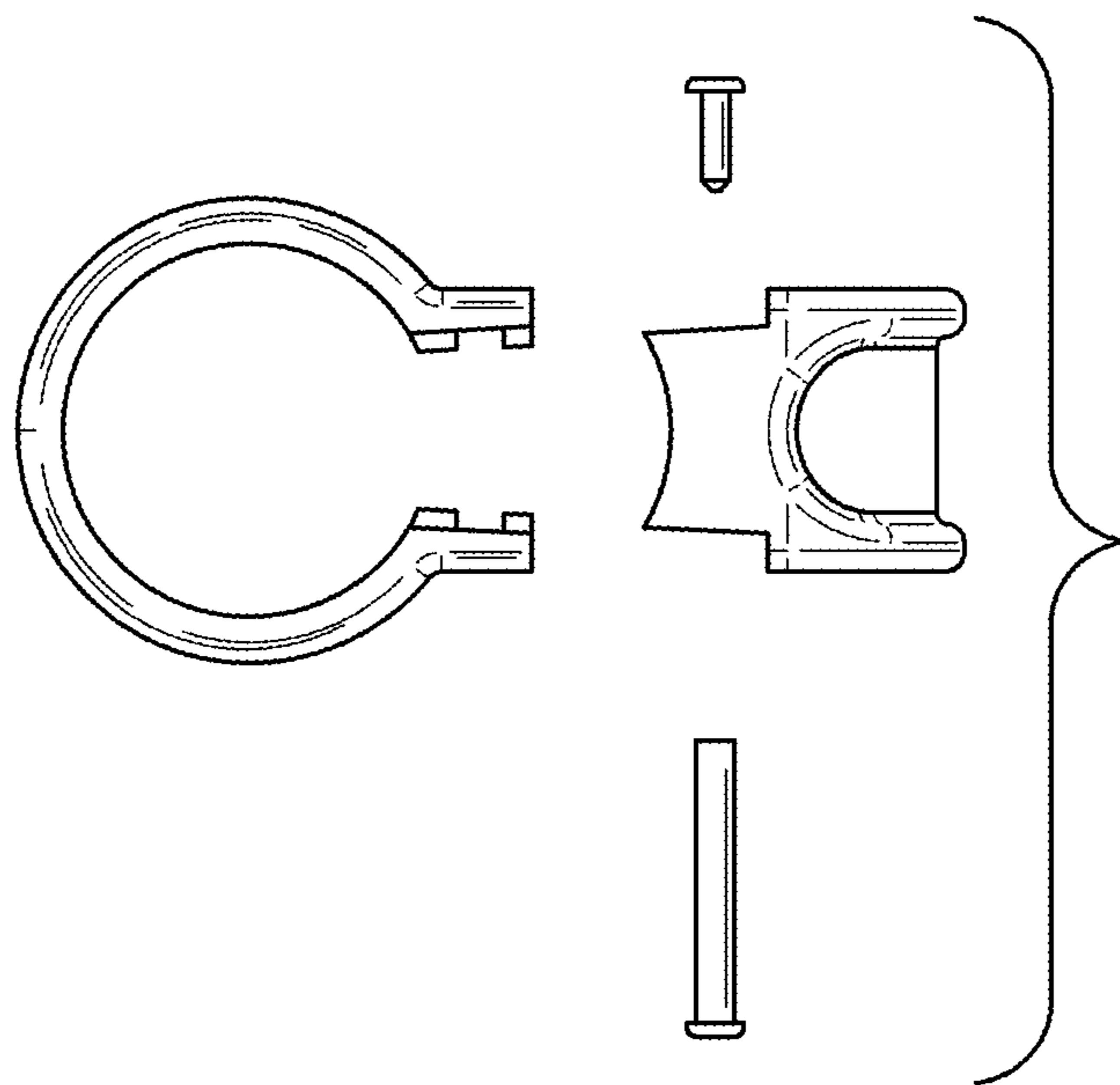


FIG. 11

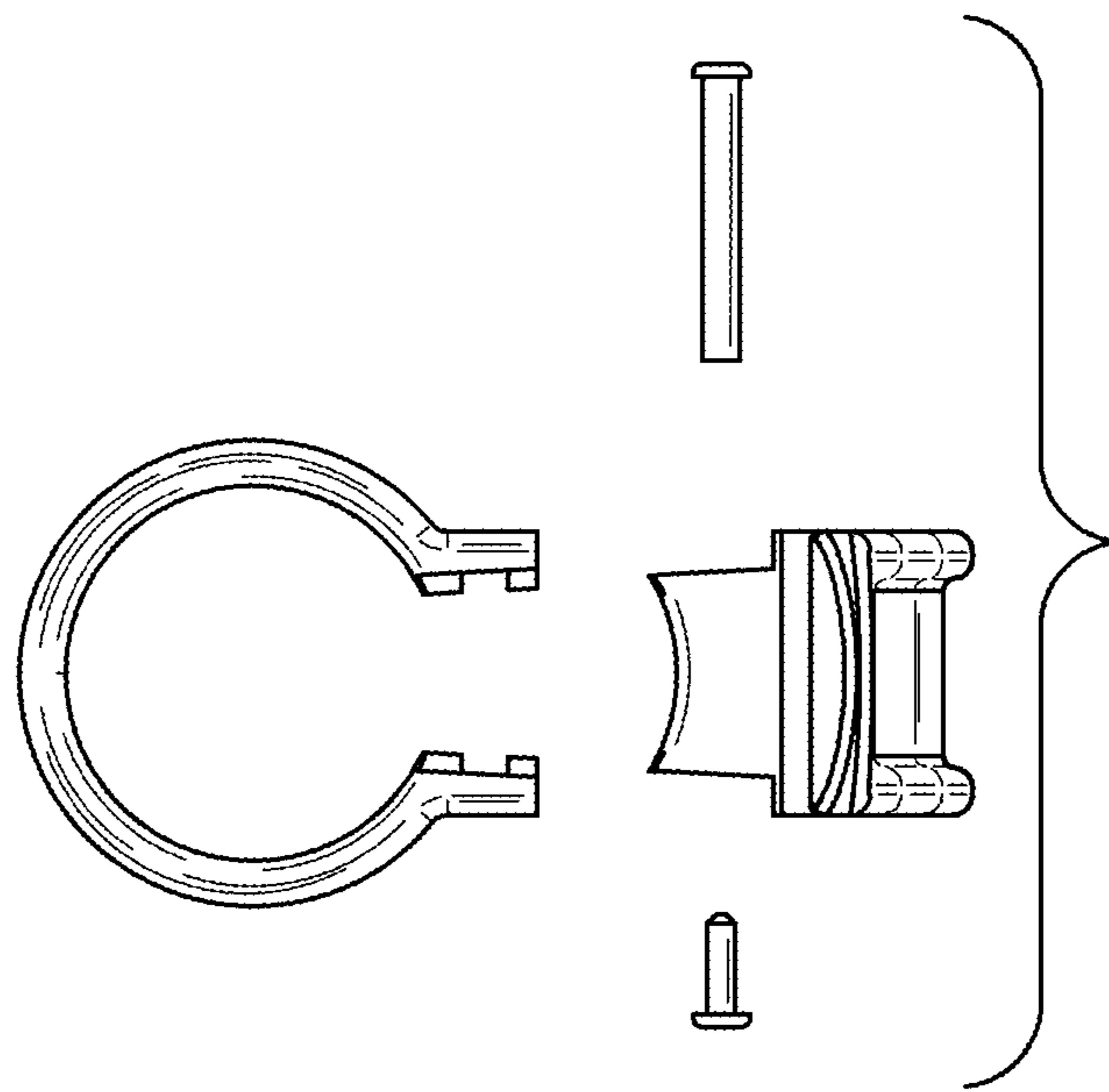


FIG. 12

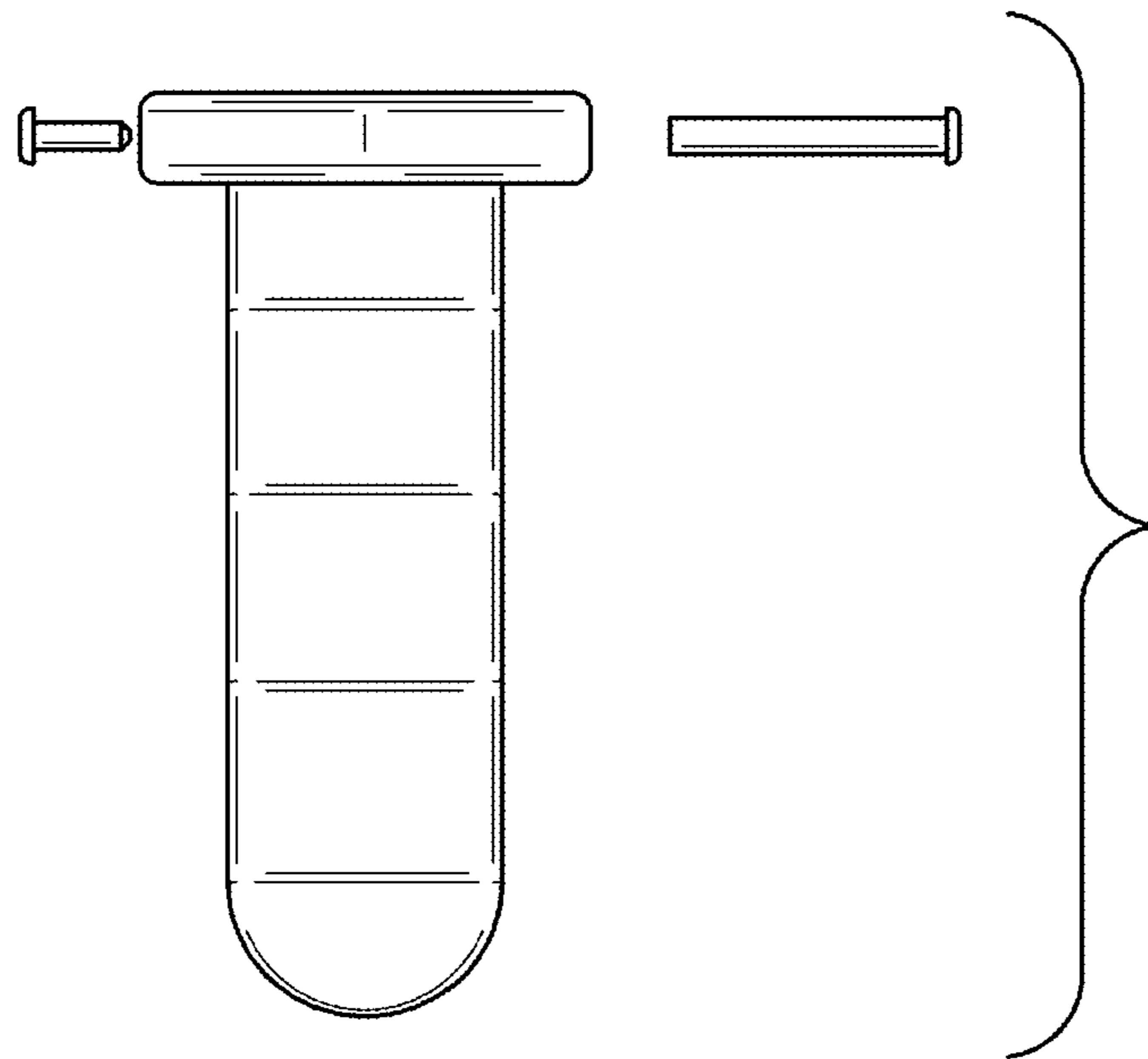


FIG. 13

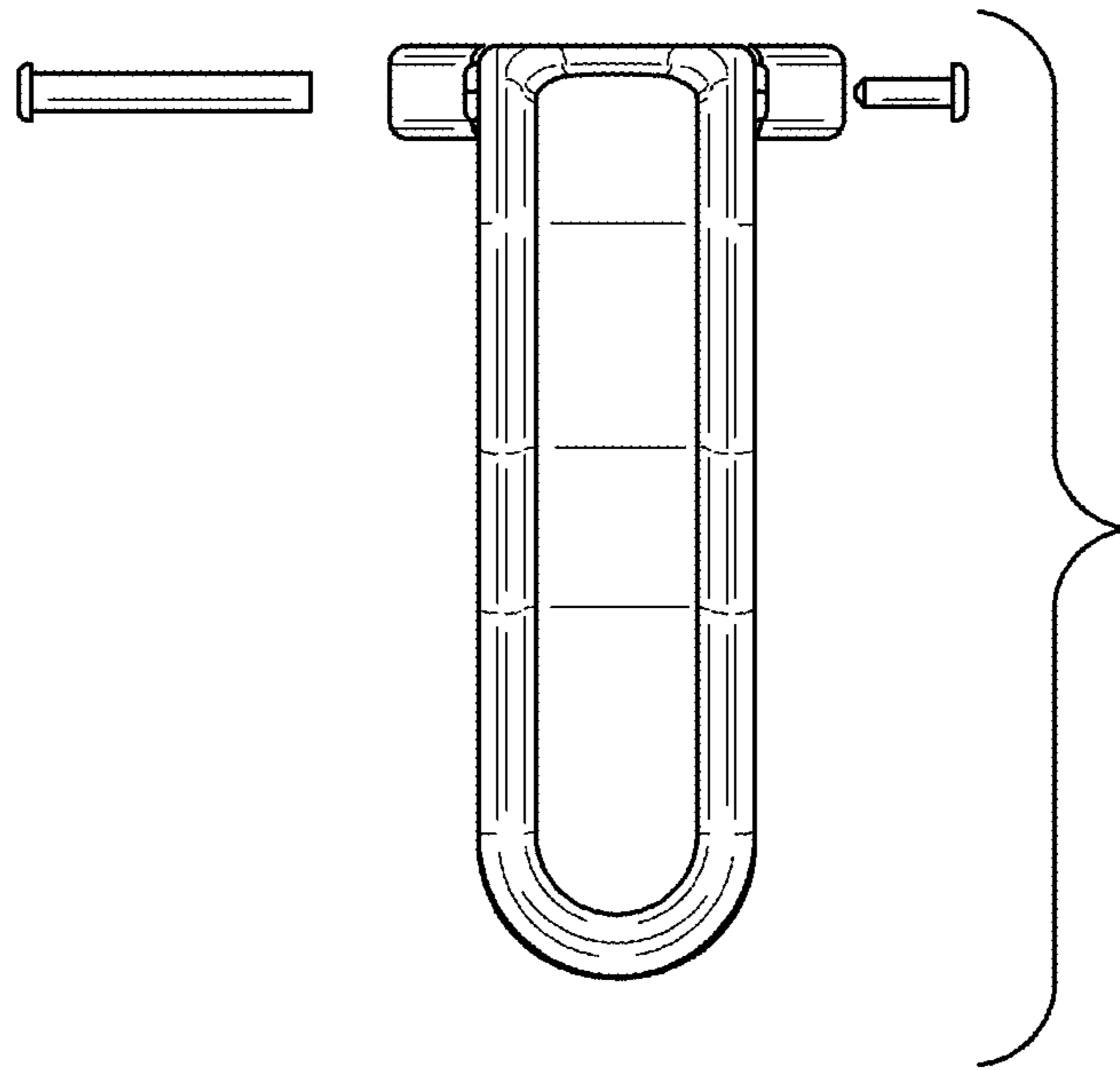


FIG. 14

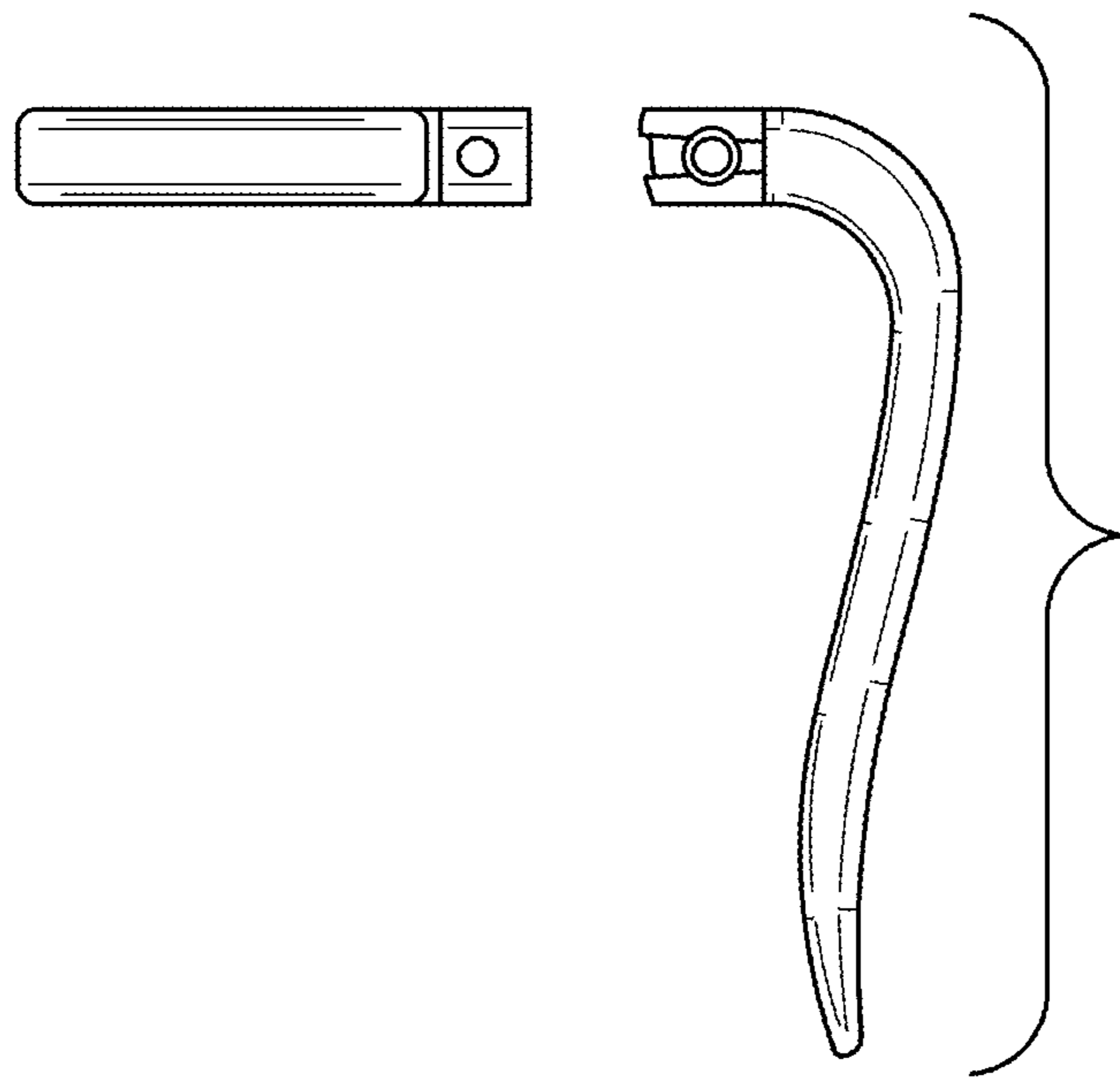


FIG. 15

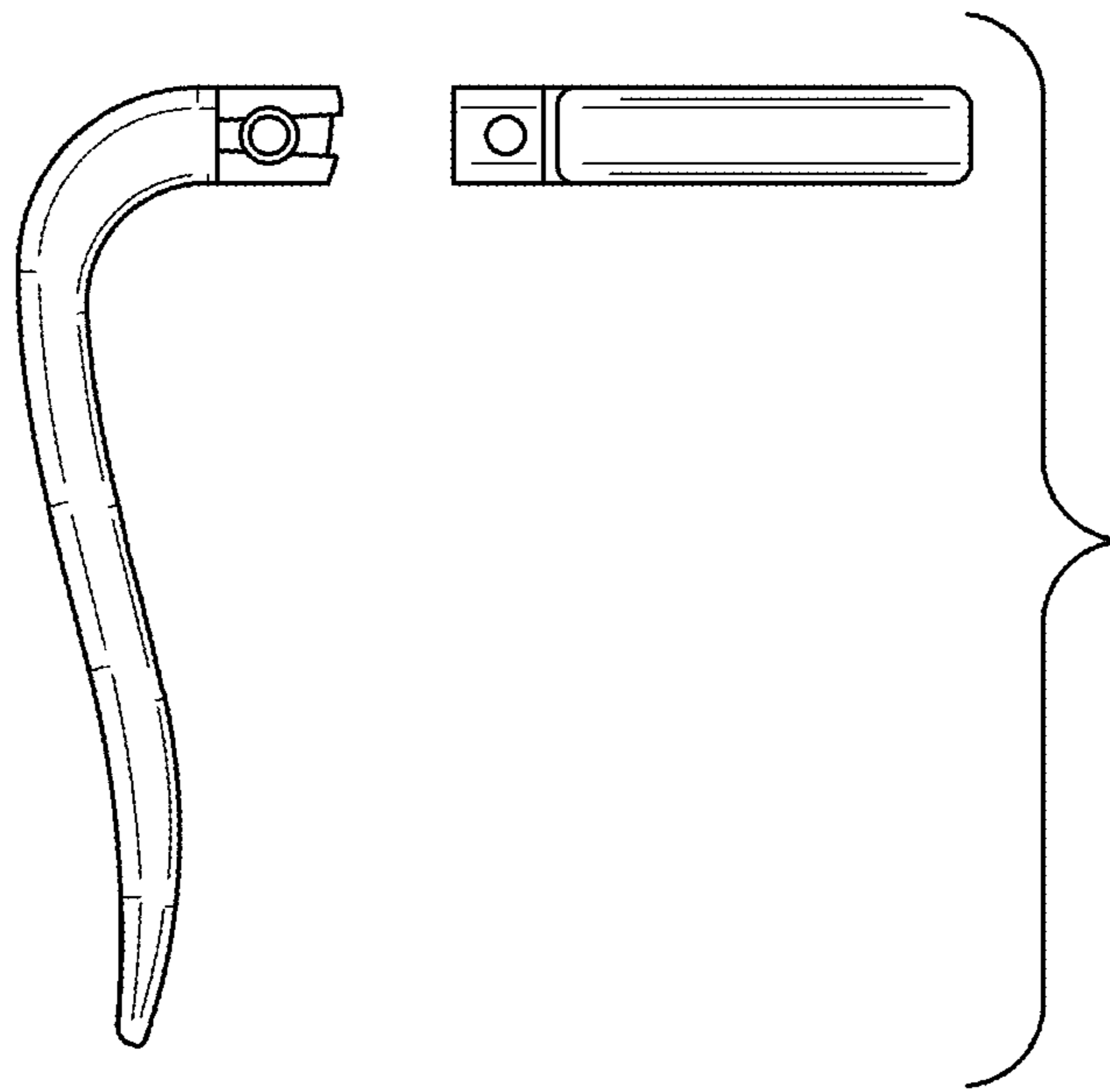


FIG. 16

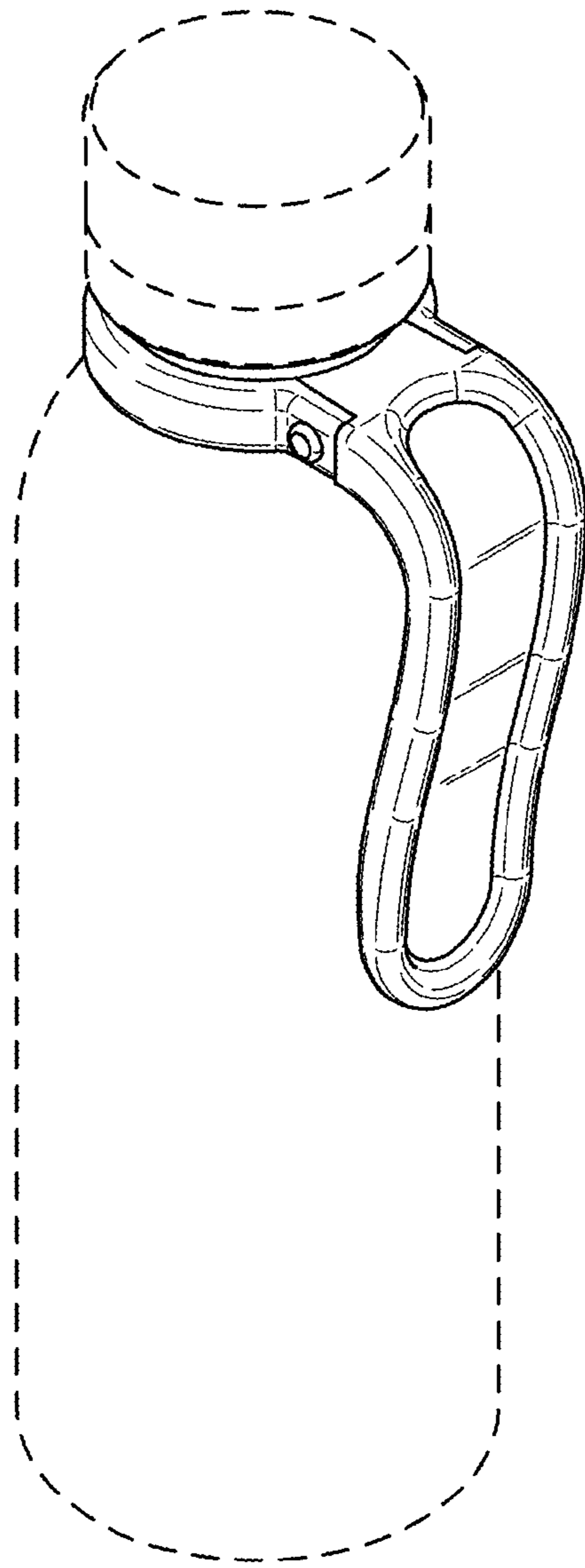


FIG. 17

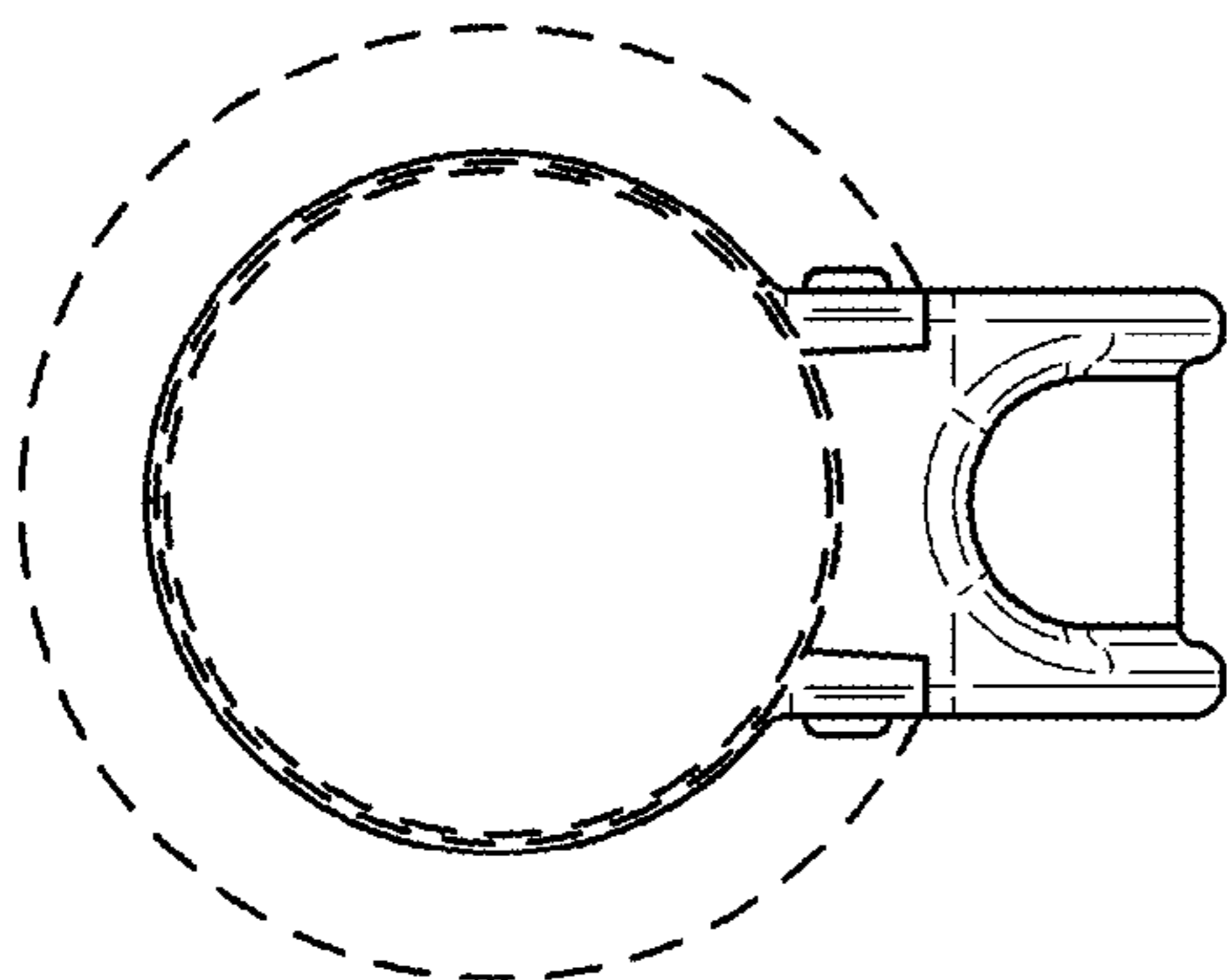


FIG. 18

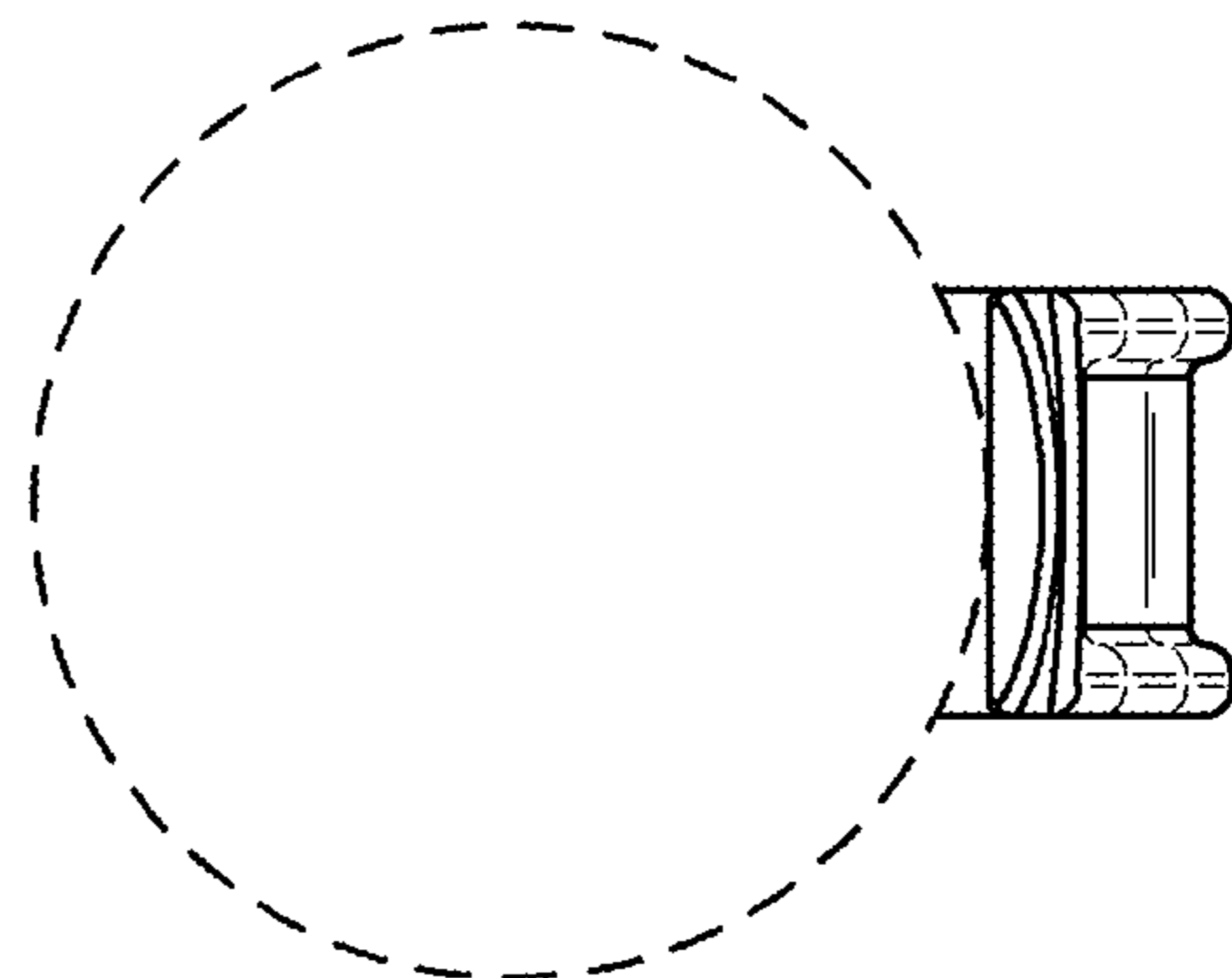


FIG. 19

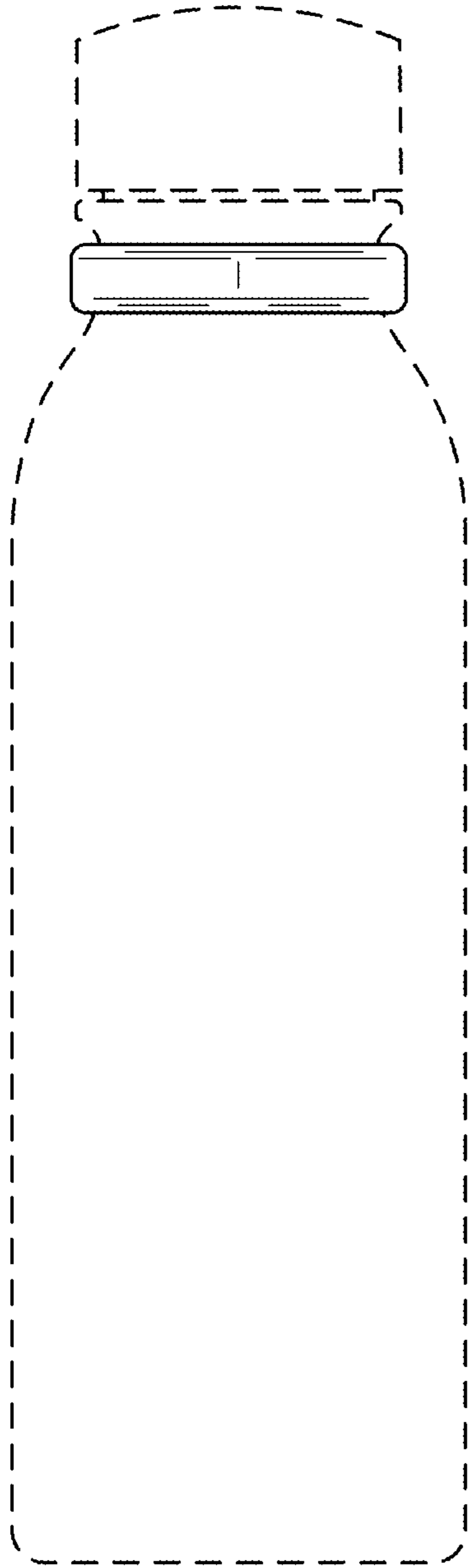


FIG. 20

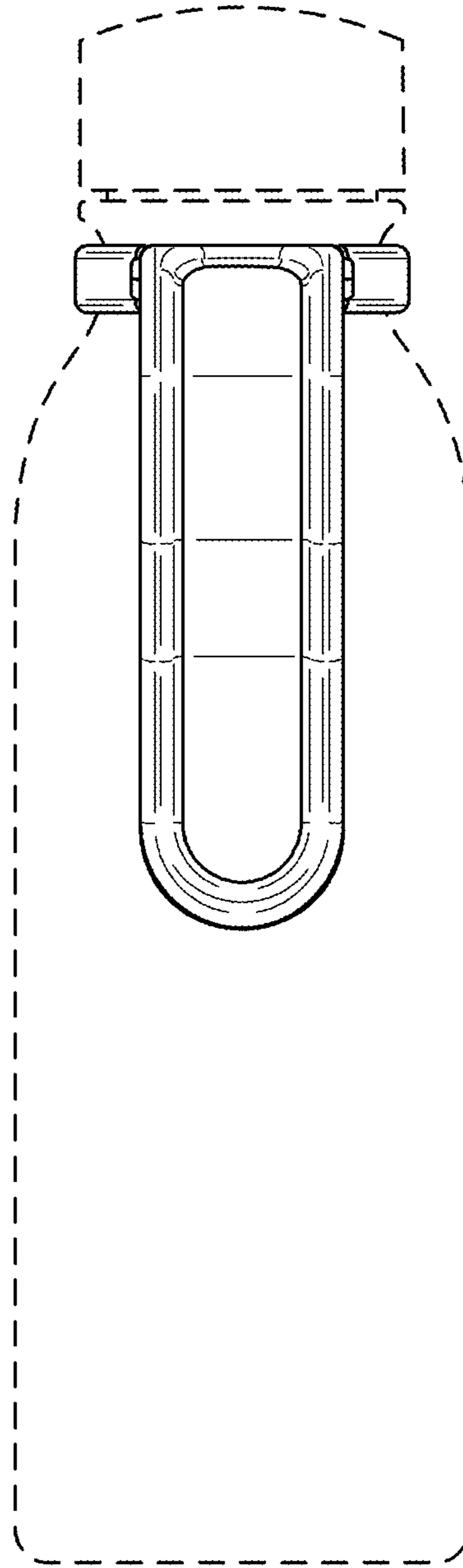


FIG. 21

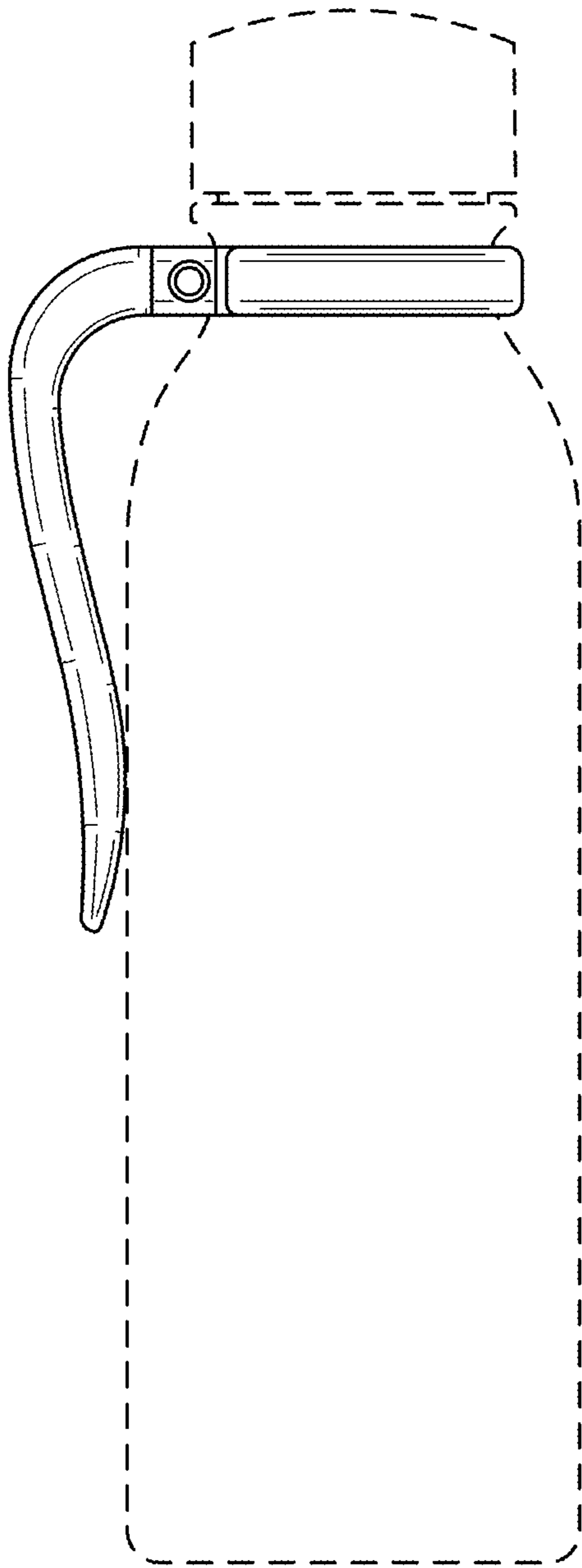


FIG. 22

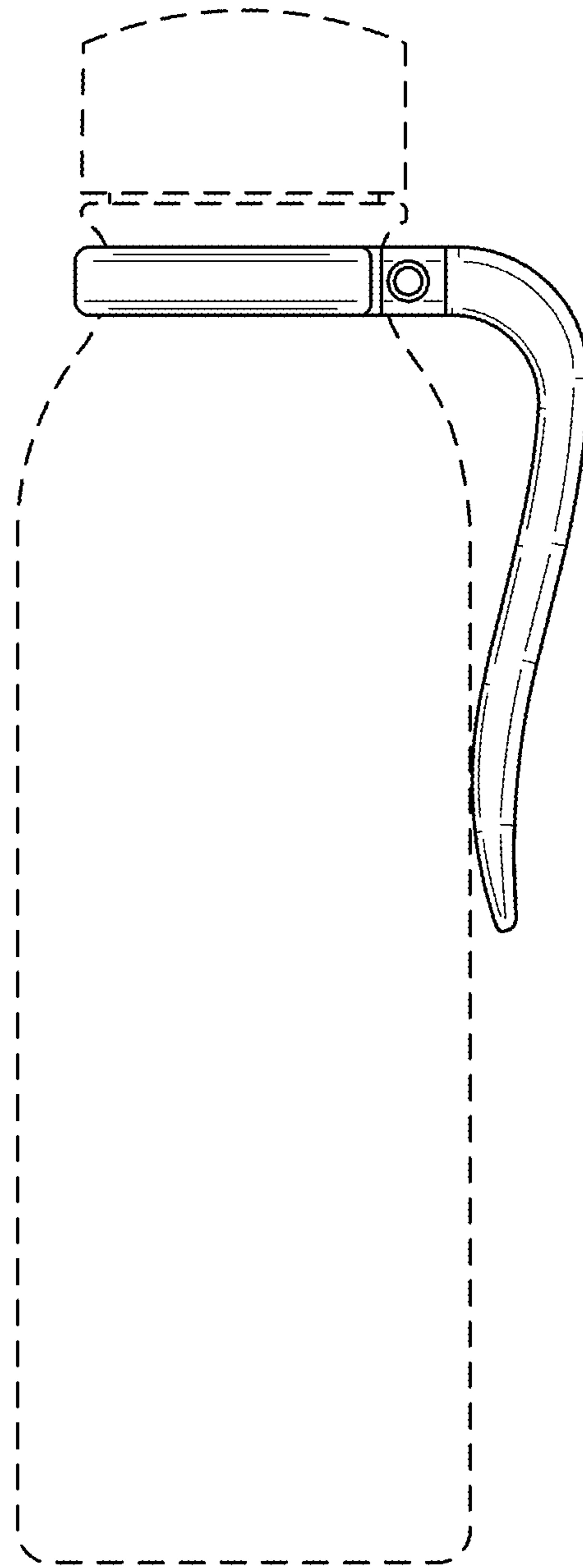


FIG. 23