



US00D935838S

(12) **United States Design Patent** (10) **Patent No.:** **US D935,838 S**  
**Hagger** (45) **Date of Patent:** **\*\* Nov. 16, 2021**

(54) **LID ASSEMBLY FOR WATER KETTLE**  
(71) Applicant: **William Evans Retail LTD**, London (GB)  
(72) Inventor: **Sam Hagger**, Woking (GB)  
(73) Assignee: **WILLIAM EVANS RETAIL LTD**, London (GB)  
(\*\*) Term: **15 Years**  
(21) Appl. No.: **29/753,728**  
(22) Filed: **Oct. 1, 2020**

3,974,758 A	8/1976	Stone, Jr.	
4,498,375 A	2/1985	Bedini	
4,718,566 A	1/1988	Wunder	
4,721,214 A	1/1988	Wandel	
D321,301 S	11/1991	Purkapile	
D337,689 S	7/1993	Tardif	
D364,991 S	12/1995	Lee	
D382,769 S	8/1997	Jeppesen et al.	
D411,408 S	6/1999	Ahern, Jr. et al.	
D436,790 S	1/2001	Saltet	
D442,014 S *	5/2001	Haring .....	D7/317
6,224,253 B1 *	5/2001	Dixon .....	A47J 43/27 366/247
D445,293 S	7/2001	Lillelund et al.	
RE37,988 E	2/2003	Uss	
D488,340 S	4/2004	Zimmermann	
6,792,848 B1	9/2004	Janky	
6,968,984 B2	11/2005	Mulle	
D525,825 S	8/2006	Heiberg et al.	
7,091,455 B2	8/2006	Fung	
D535,144 S *	1/2007	George .....	D7/392.1
D545,619 S *	7/2007	Jalet .....	D7/392
D554,425 S *	11/2007	Schwamkrug .....	D7/317
D561,519 S	2/2008	Ranzoni	

**Related U.S. Application Data**

(60) Division of application No. 29/669,593, filed on Dec. 24, 2018, now abandoned, which is a continuation-in-part of application No. 29/647,912, filed on May 16, 2018, now Pat. No. Des. 861,408, and a continuation-in-part of application No. 29/647,914, filed on May 16, 2018, now Pat. No. Des. 862,147.

(51) **LOC (13) Cl.** ..... **07-99**  
(52) **U.S. Cl.**  
USPC ..... **D7/396.1; D7/397**  
(58) **Field of Classification Search**  
USPC ..... D7/300, 312, 316, 318, 397, 393, 396,  
D7/396.1, 396.2; D9/435, 436, 439, 440  
CPC ..... A47G 19/14; A47J 27/21; A47J 27/21008;  
A47J 31/40; B65D 43/02; B65D 5/46  
See application file for complete search history.

(56) **References Cited**  
U.S. PATENT DOCUMENTS

2,083,632 A	6/1937	Beck
3,355,045 A	11/1967	David
D232,411 S	8/1974	Douglas

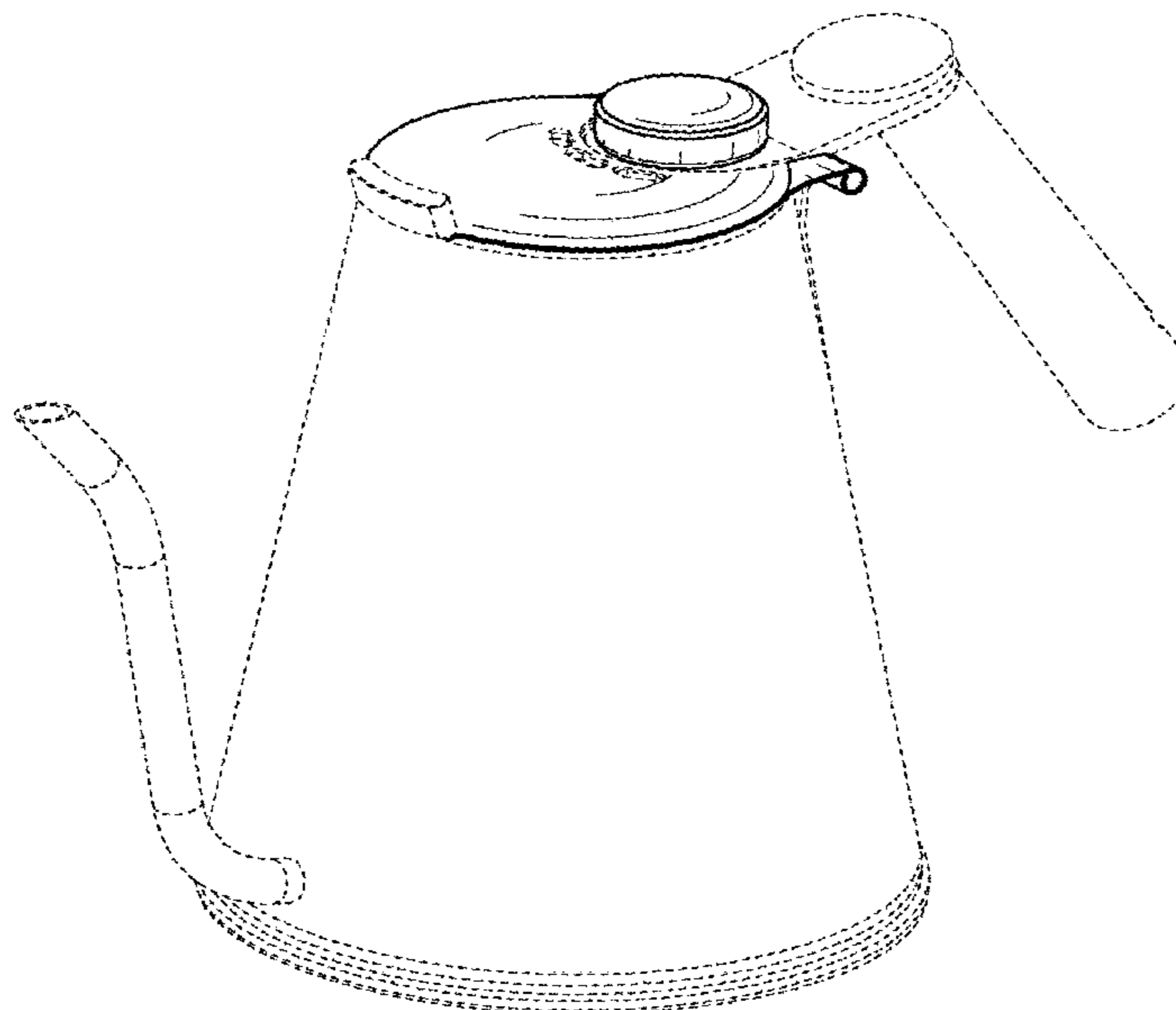
*Primary Examiner* — Susan E Krakower  
*Assistant Examiner* — Andrew Kerr  
(74) *Attorney, Agent, or Firm* — Brooks Kushman P.C.

(57) **CLAIM**  
The ornamental design for a lid assembly for water kettle, as shown and described.

**DESCRIPTION**

FIG. 1 is a front perspective view of a lid assembly for water kettle, embodying my new design; FIG. 2 is a top view thereof; and, FIG. 3 is a left side view thereof. The broken lines shown in the drawing views are for the purpose of illustrating portions of the lid assembly for water kettle that form no part of the claimed design.

**1 Claim, 2 Drawing Sheets**



(56)

**References Cited**

## U.S. PATENT DOCUMENTS

7,464,637	B1	12/2008	Lin	
D622,090	S	8/2010	Bodum	
D633,324	S	3/2011	Mondragon et al.	
D636,631	S	4/2011	Muddana et al.	
D642,852	S	8/2011	Sheppard et al.	
8,387,517	B2	3/2013	Geissler	
D680,792	S	4/2013	Bodum	
D683,584	S	6/2013	Gross et al.	
D686,864	S *	7/2013	Poul .....	D7/318
9,016,518	B2	4/2015	Poul et al.	
D728,298	S *	5/2015	Ma .....	D7/319
D742,161	S	11/2015	Manly et al.	
D749,885	S	2/2016	Kent	
D750,426	S	3/2016	Bann et al.	
D752,911	S	4/2016	Bazzicalupo et al.	
D778,104	S *	2/2017	Conlee .....	D7/360
D784,063	S *	4/2017	Bond .....	D7/317
9,943,185	B2	4/2018	Chen	
D818,756	S *	5/2018	Averty .....	D7/318
D828,070	S	9/2018	Wastney et al.	
10,136,751	B2	11/2018	Bugatti	
D853,180	S *	7/2019	Jamison .....	D7/391
D861,408	S	10/2019	Hagger	
D862,147	S	10/2019	Hagger	
D862,964	S	10/2019	Tokoi	
D893,946	S *	8/2020	McConnell .....	D7/399
2003/0012256	A1	1/2003	Burkholder	
2004/0056027	A1	3/2004	Miller	
2006/0011630	A1	1/2006	Mulle	
2015/0122688	A1	5/2015	Dias et al.	
2015/0245743	A1	9/2015	Rosenfeld	
2017/0280913	A1	10/2017	Tseng	
2018/0099793	A1	4/2018	Beber et al.	

\* cited by examiner

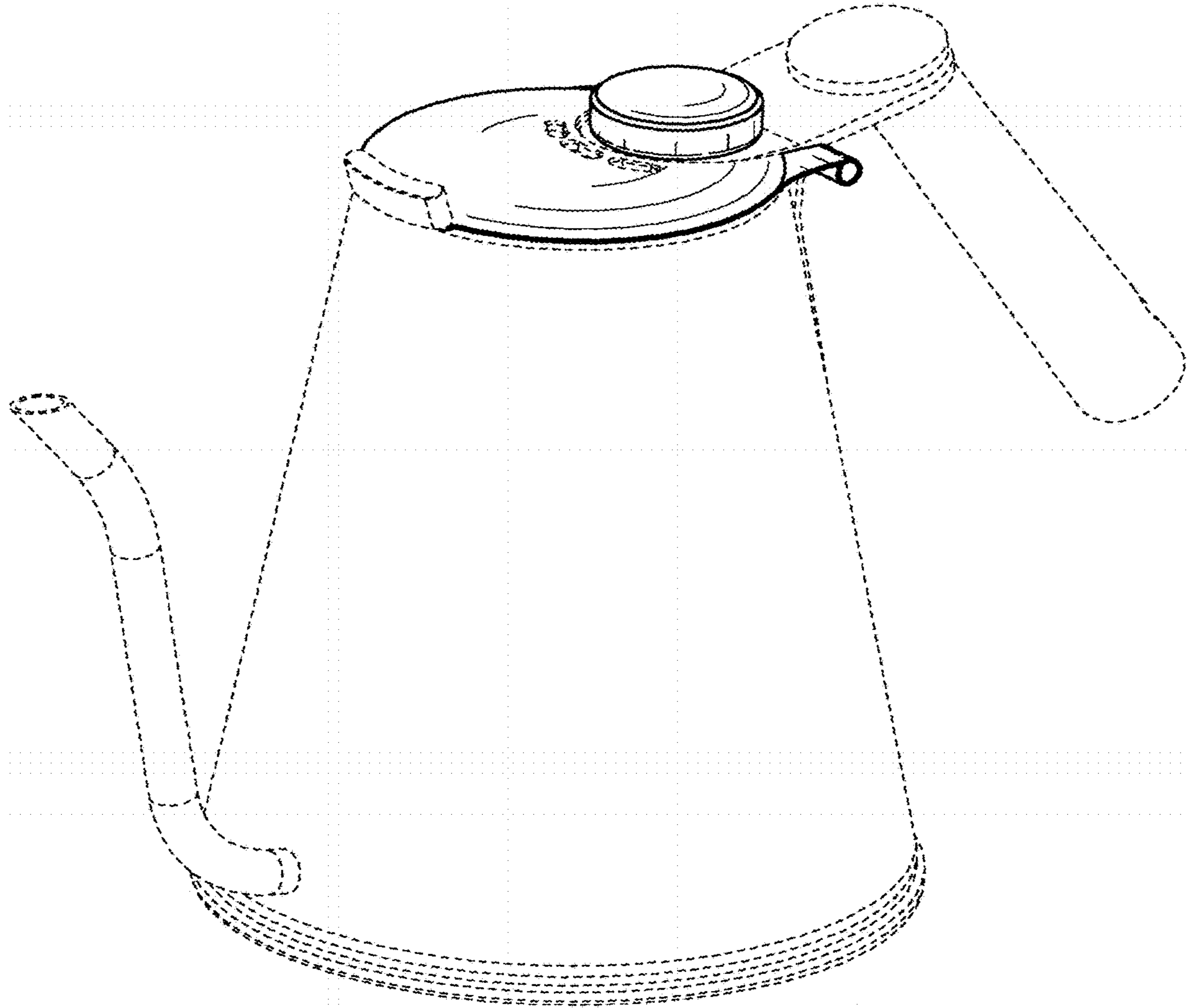


FIG. 1

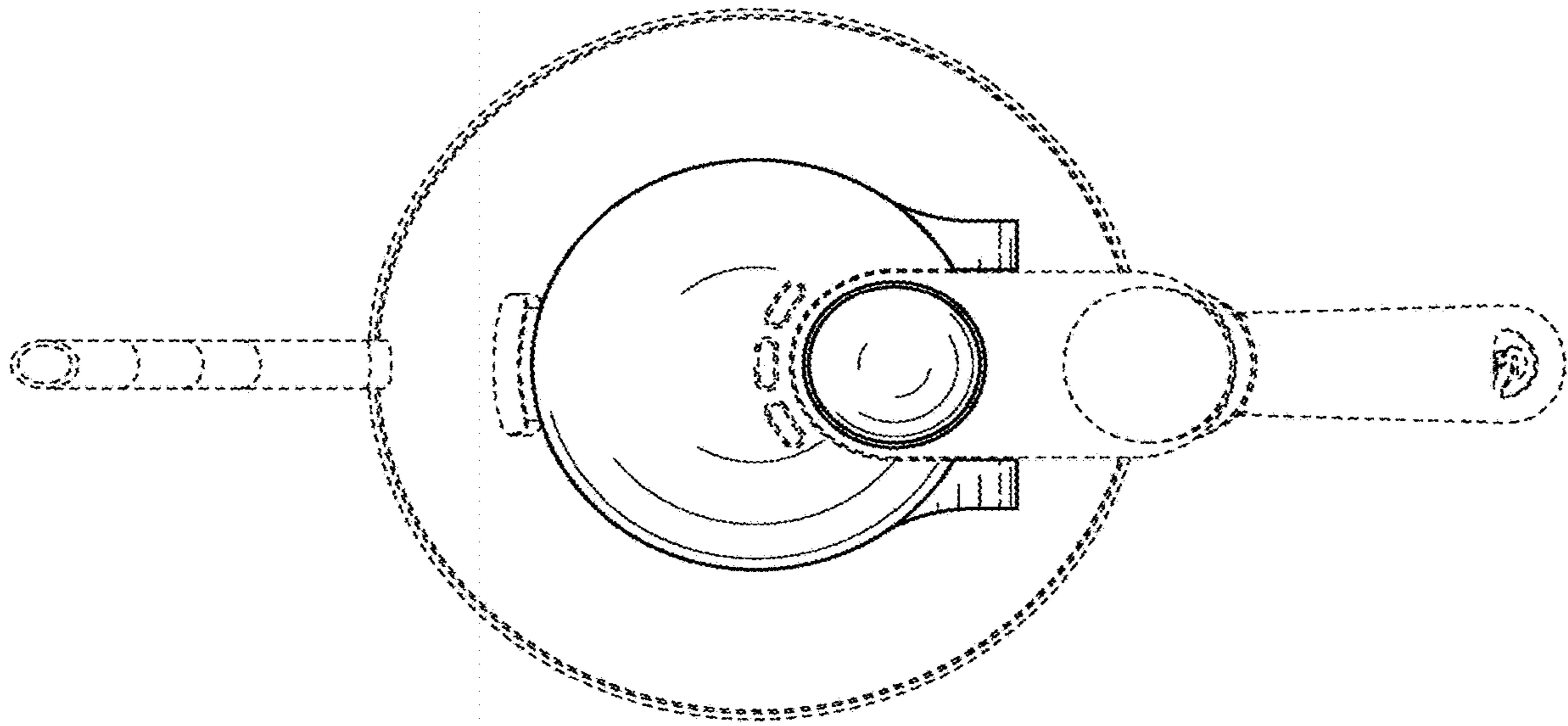


FIG. 2

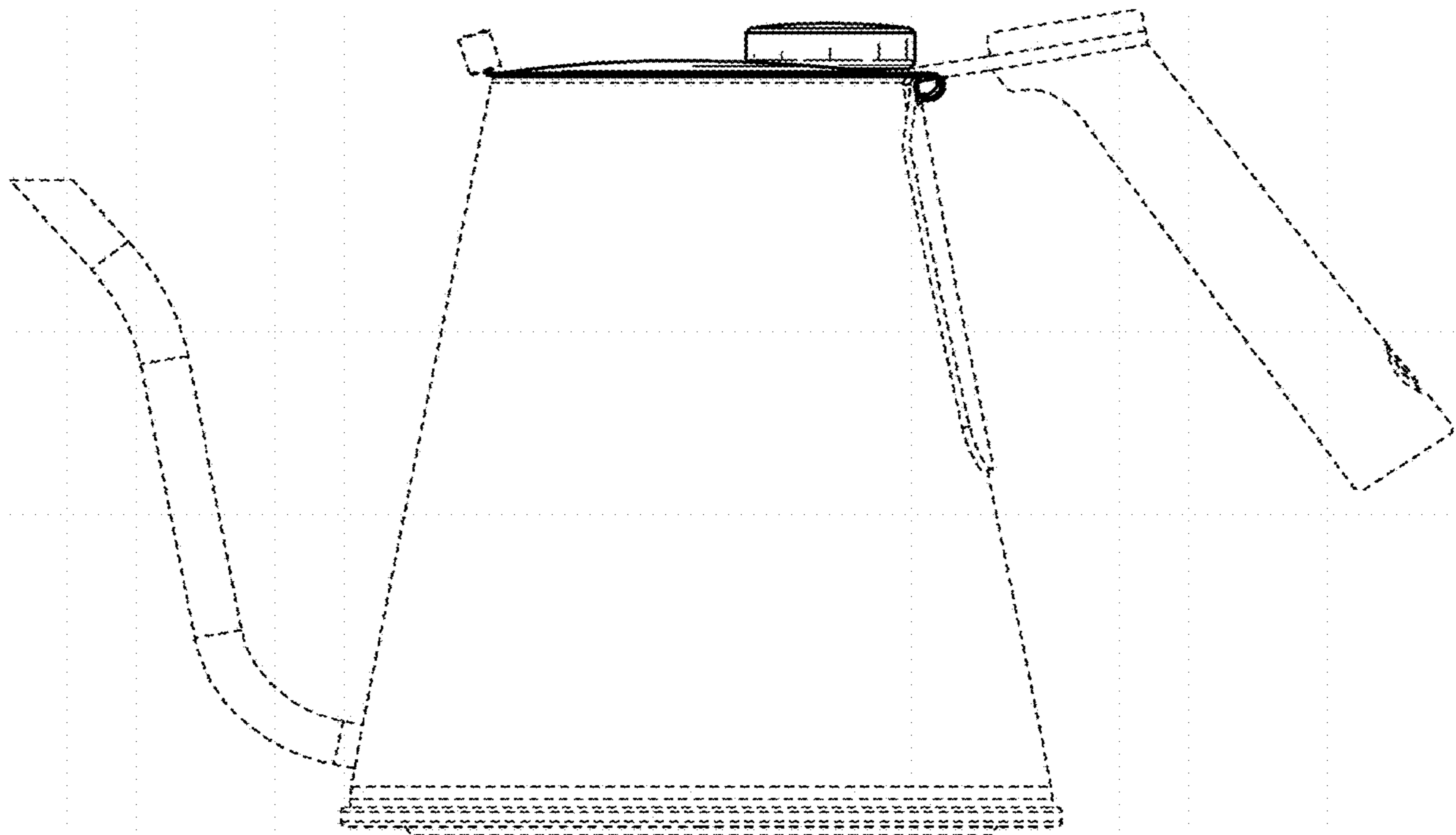


FIG. 3