



US00D935837S

(12) **United States Design Patent**
Wang et al.

(10) **Patent No.:** **US D935,837 S**

(45) **Date of Patent:** **** Nov. 16, 2021**

(54) **LID**

(71) Applicant: **SHEN ZHEN QUICK FIT PLASTIC CO., LTD.**, Shenzhen (CN)

(72) Inventors: **Qi Wang**, Shenzhen (CN); **Hui Kang**, Shenzhen (CN)

(**) Term: **15 Years**

(21) Appl. No.: **29/765,174**

(22) Filed: **Jan. 6, 2021**

(30) **Foreign Application Priority Data**

Nov. 24, 2020 (CN) 202030716109.1

(51) **LOC (13) Cl.** **07-01**

(52) **U.S. Cl.**
USPC **D7/392.1; D7/396.2**

(58) **Field of Classification Search**
USPC D7/507, 509, 510, 511, 512, 523, 532, D7/529, 531, 392.1, 396.2; D9/435, 449, D9/436
CPC A47G 19/22; A47G 19/2288; A47G 19/2205; A47G 19/2277; A47G 19/2211; A45F 3/20

See application file for complete search history.

(56) **References Cited**

U.S. PATENT DOCUMENTS

D887,776 S *	6/2020	Bo	D7/392.1
D896,574 S *	9/2020	Wang	D7/392.1
D897,775 S *	10/2020	Wang	D7/510
D899,187 S *	10/2020	Wang	D7/510
D899,188 S *	10/2020	Wang	D7/510
D900,539 S	11/2020	Yao	
D902,655 S *	11/2020	Wang	D7/510
D903,404 S	12/2020	Bram	
D911,100 S *	2/2021	Chen	D7/392.1
D916,560 S *	4/2021	Wu	D7/392.1

D917,956 S *	5/2021	Yao	D7/392
D924,000 S *	7/2021	Chen	D7/392.1
D924,626 S *	7/2021	Wang	D7/392.1
2021/0161319 A1 *	6/2021	Wang	A47G 19/22

OTHER PUBLICATIONS

https://www.amazon.com/dp/B091GBM9H8/ref=cm_sw_em_r_mt_dp_N9KSJ29ZXTJ25CVK7M7R BuildLife Motivational Half Gallon Water Bottle (Year: 2020).*

Sendestar Straw Lid for Hydro Flask Wide Mouth Sports Water Bottle Learn more: https://www.amazon.com/dp/B07PVR8NR4/ref=cm_sw_em_r_mt_dp_2V60TSVS3H4HP8TY2J04 (Year: 2019).*

* cited by examiner

Primary Examiner — Jae Liang

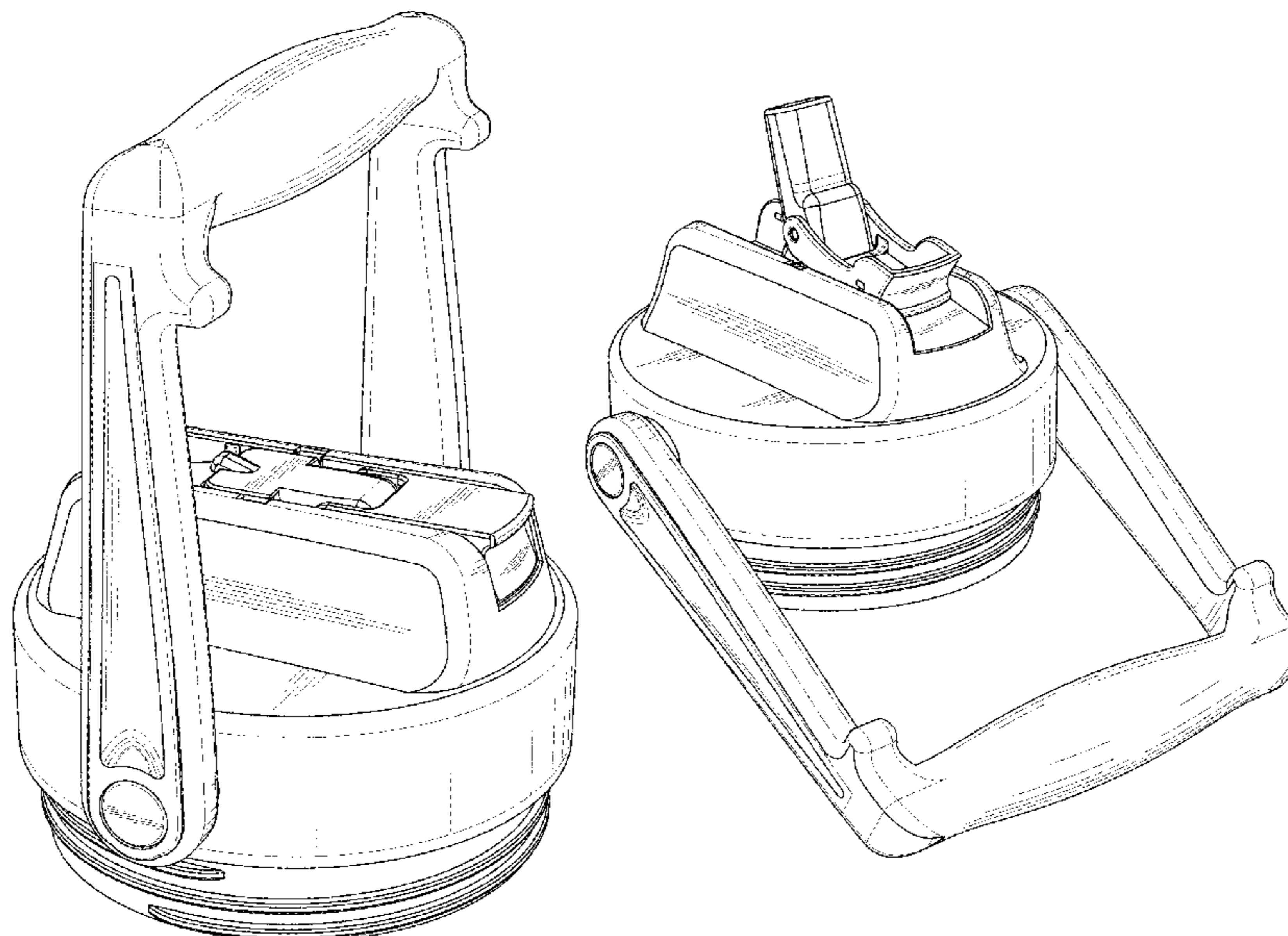
(57) **CLAIM**

The ornamental design for a lid, as shown and described.

DESCRIPTION

FIG. 1 is a perspective view of a lid showing my new design; FIG. 2 is another perspective view thereof; FIG. 3 is an environmental perspective view thereof, showing the design in an open state and with the handle feature in an alternative configuration; FIG. 4 is another perspective view thereof; showing the design in the open state with the handle feature in an alternative configuration; FIG. 5 is a front view thereof; FIG. 6 is a rear view thereof; FIG. 7 is a left side view thereof; FIG. 8 is a right side view thereof; FIG. 9 is a top plan view thereof; and, FIG. 10 is a bottom plan view thereof. The broken lines showing in FIG. 3 are for the purposes of illustrating environment and the broken lines in other figures illustrate portions of the lid that form no part of the claimed design.

1 Claim, 10 Drawing Sheets



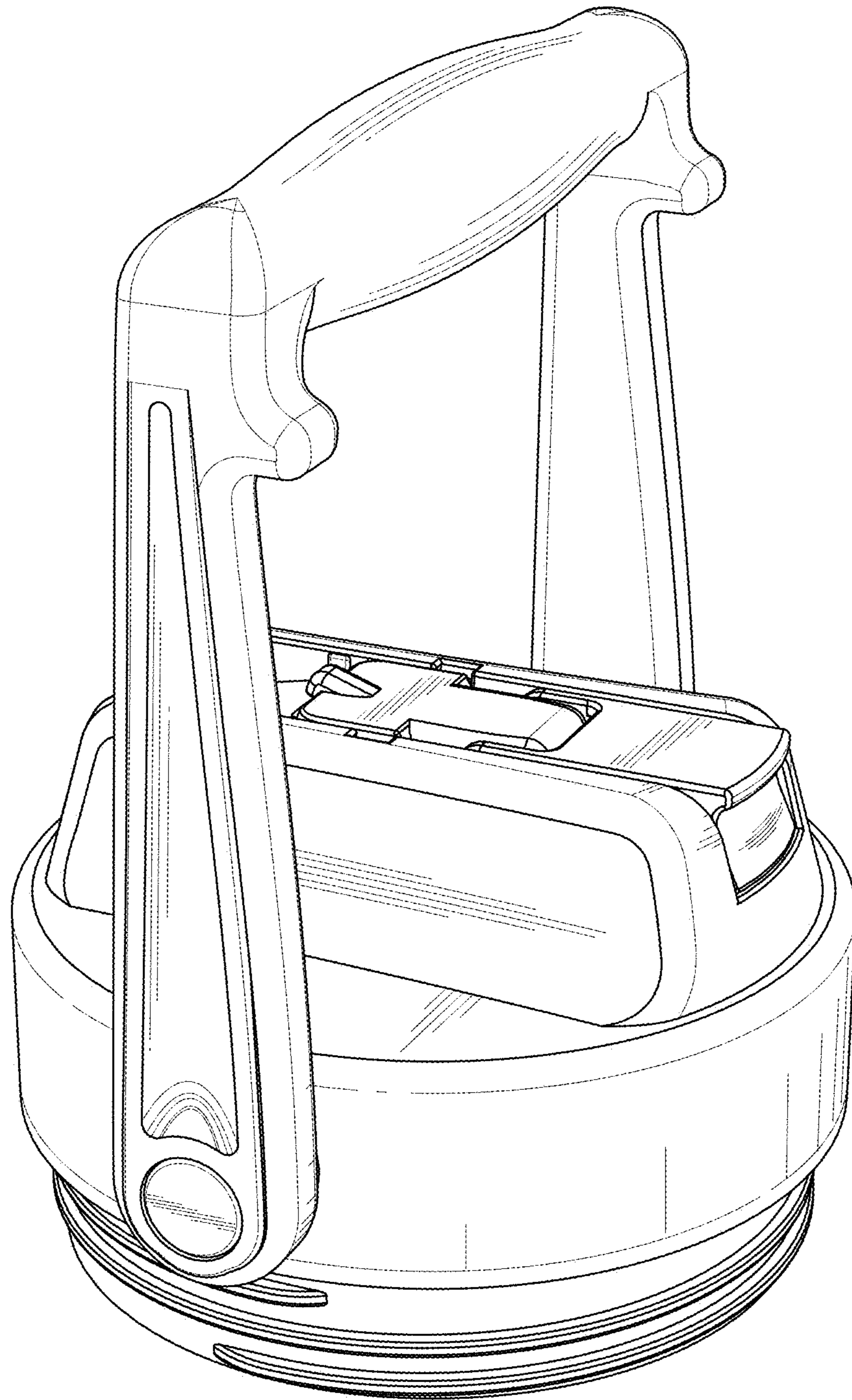


FIG.1

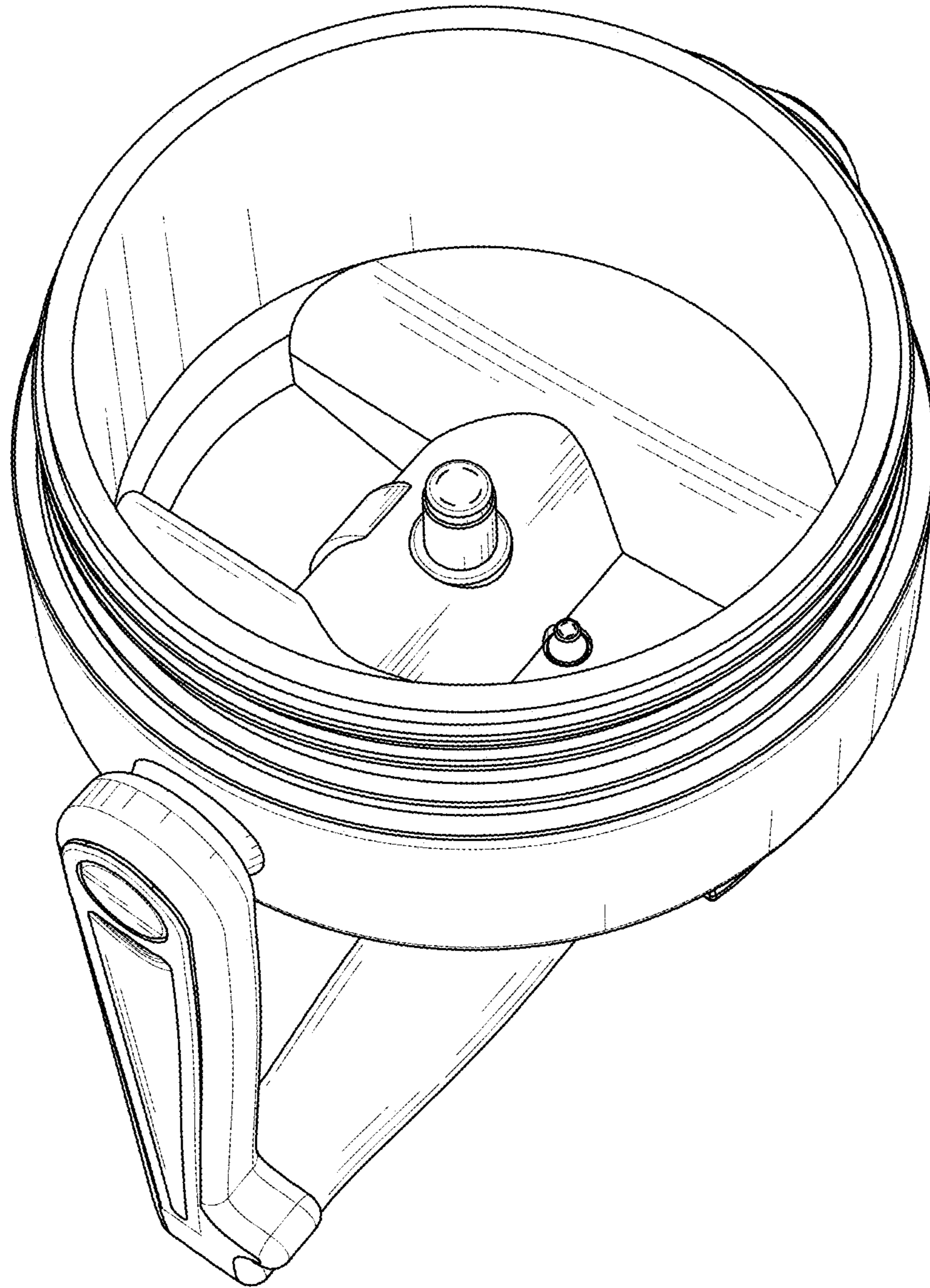


FIG.2

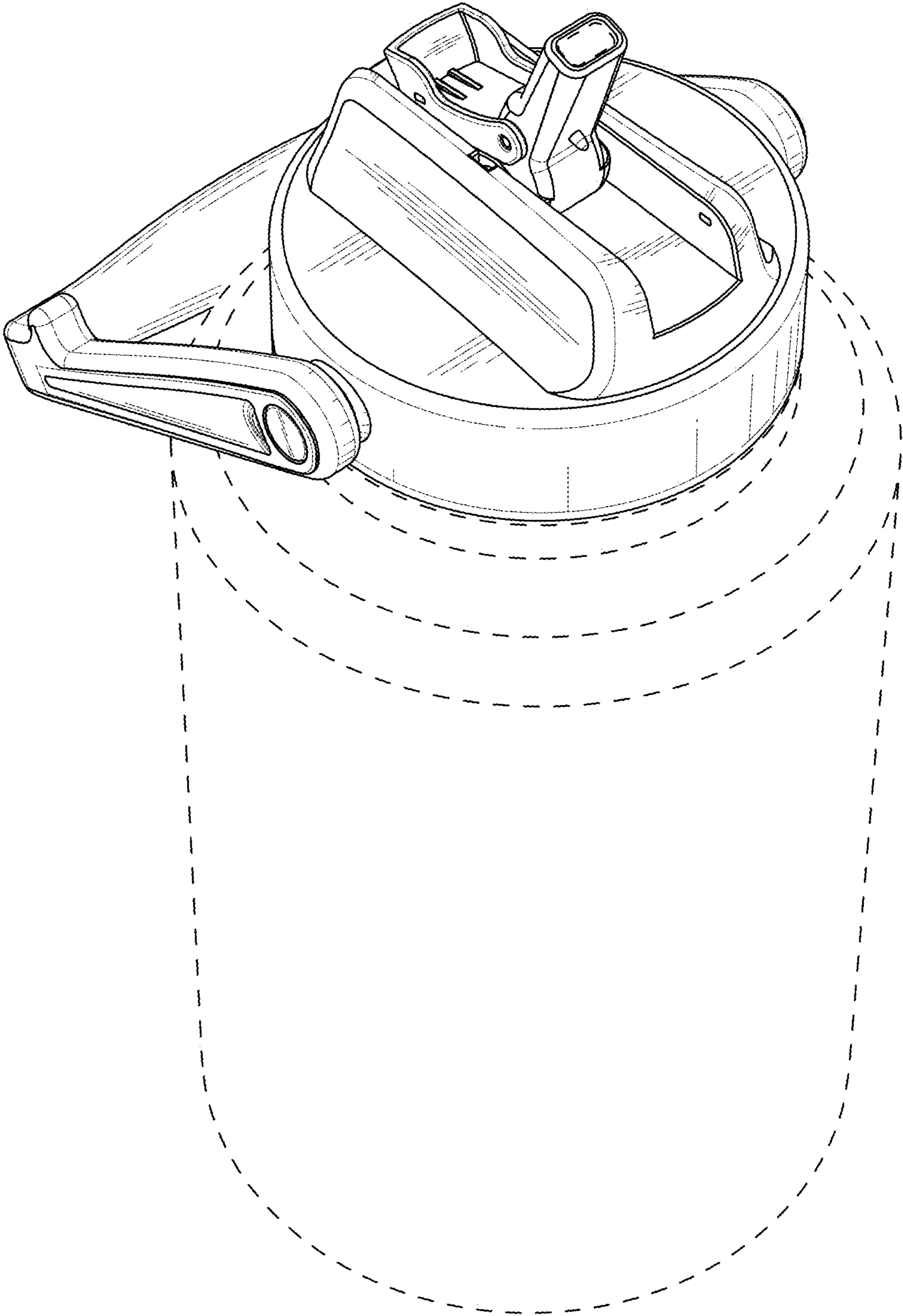


FIG.3

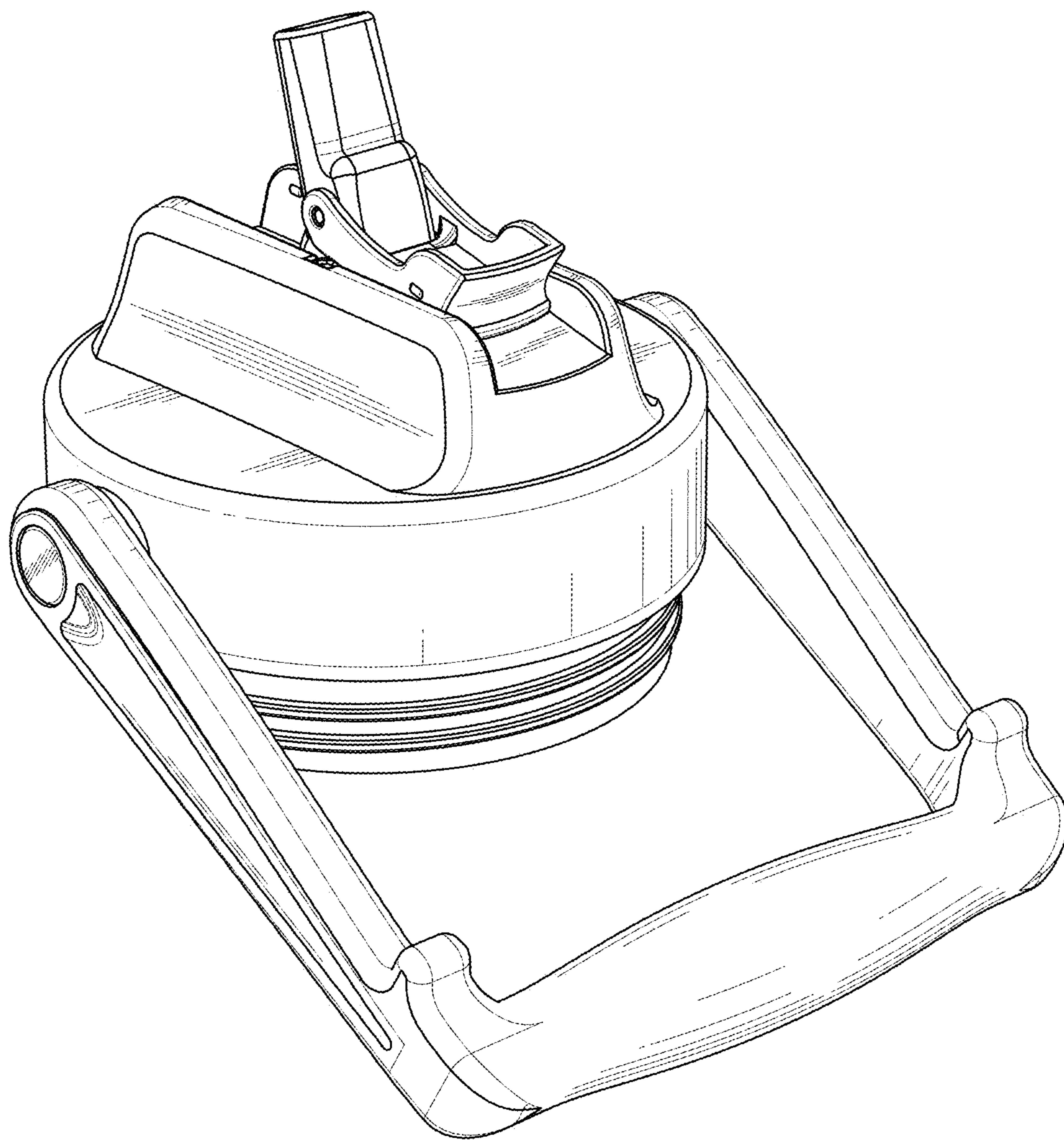


FIG.4

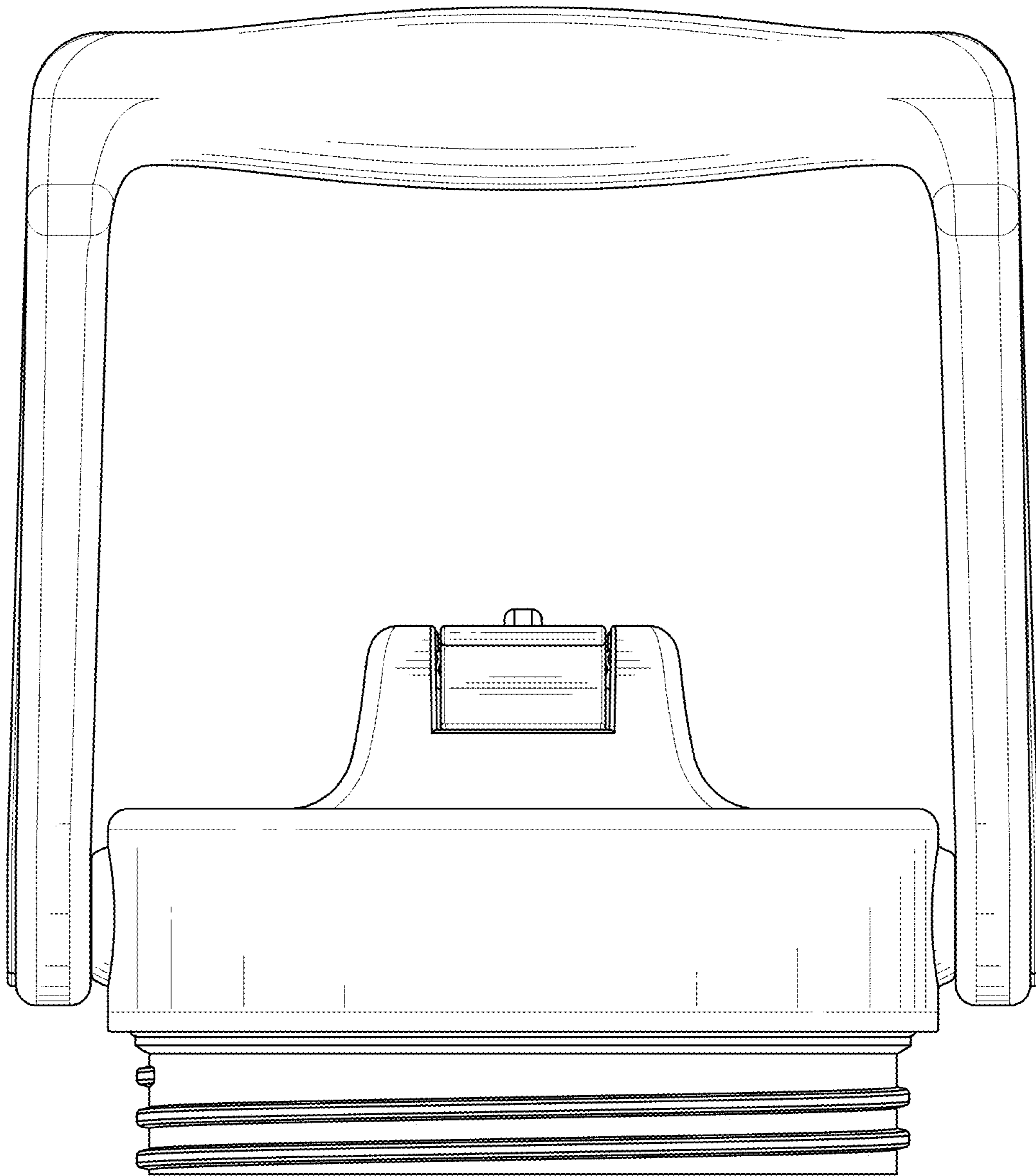


FIG.5

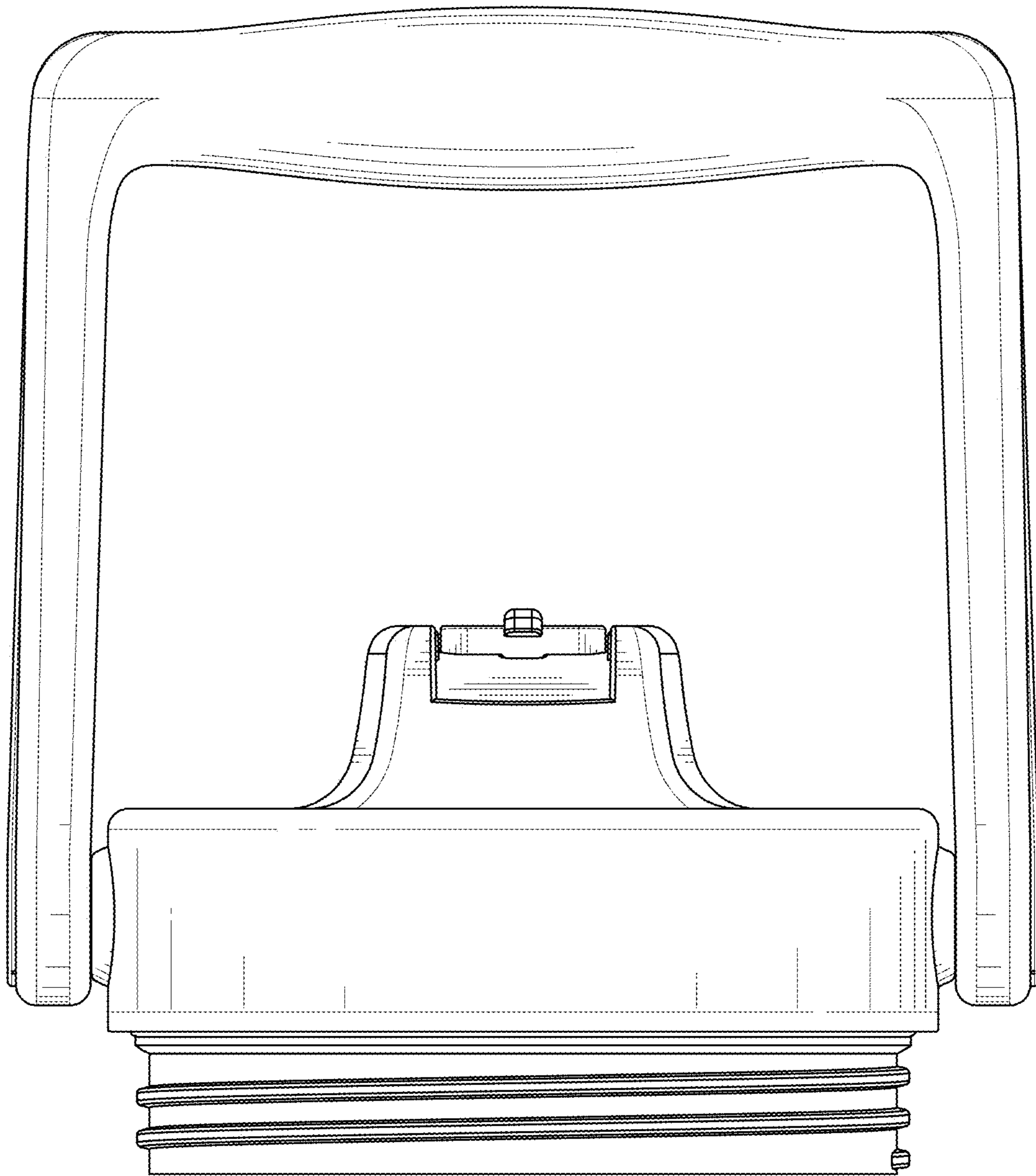


FIG.6

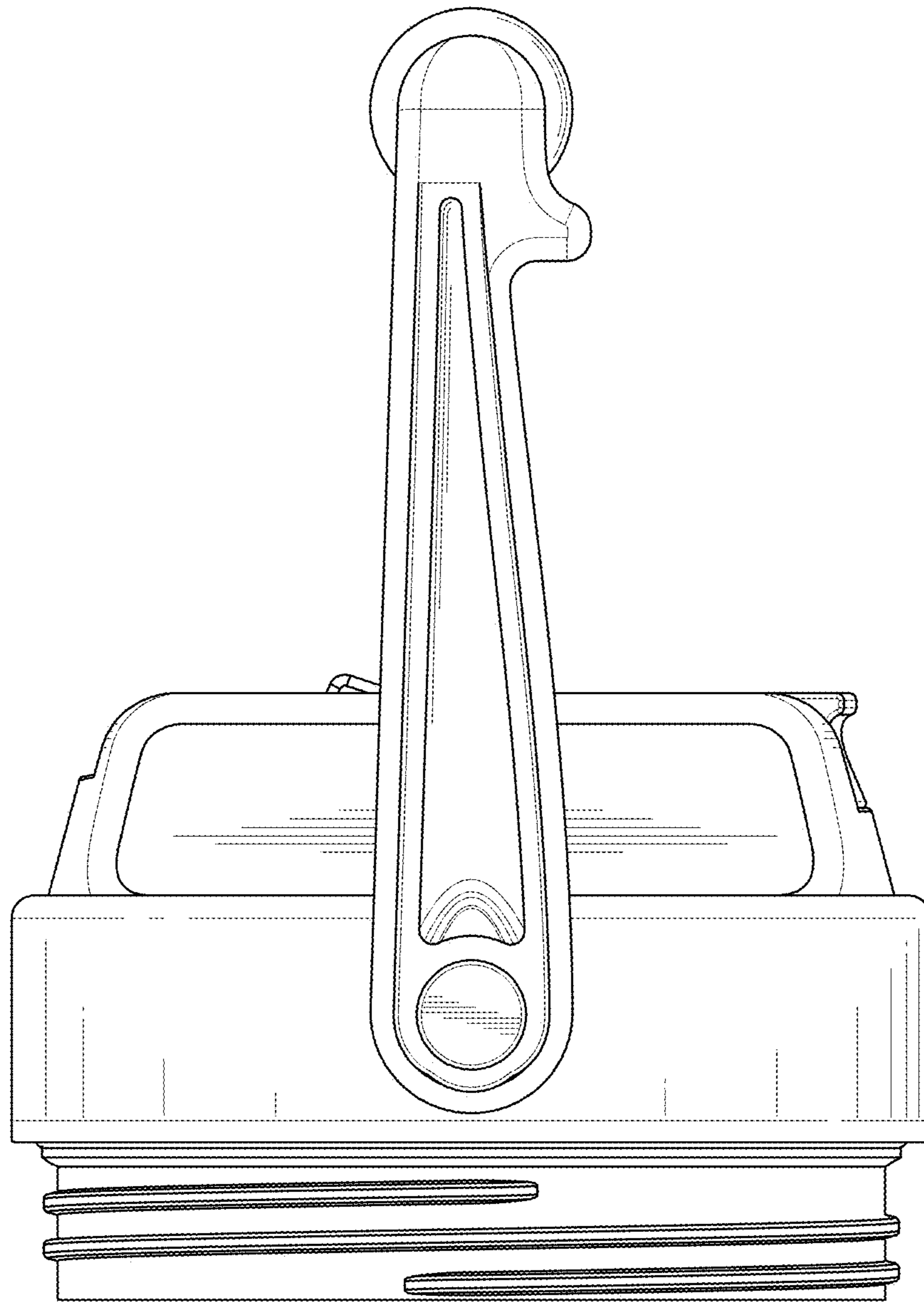


FIG.7

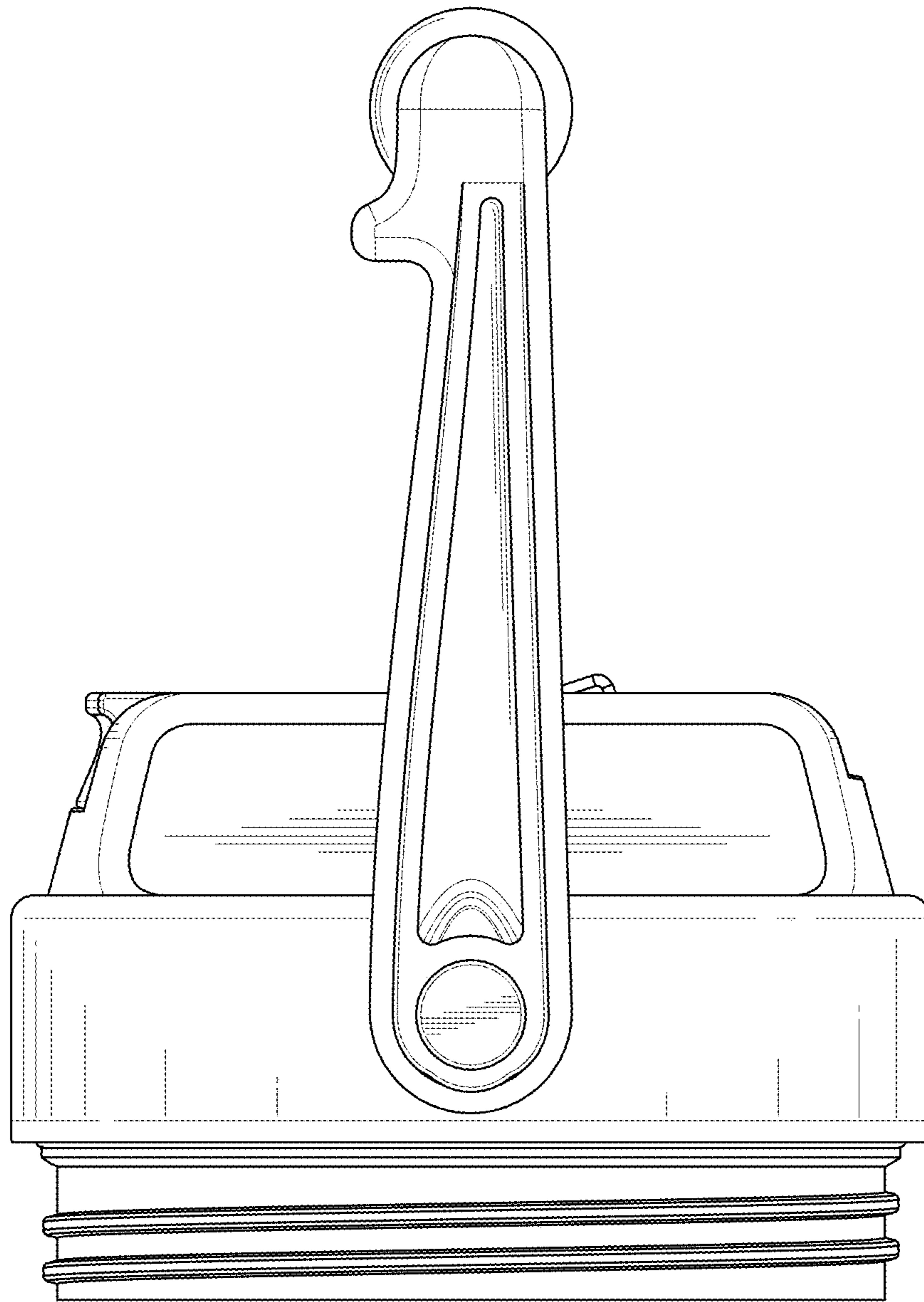


FIG. 8

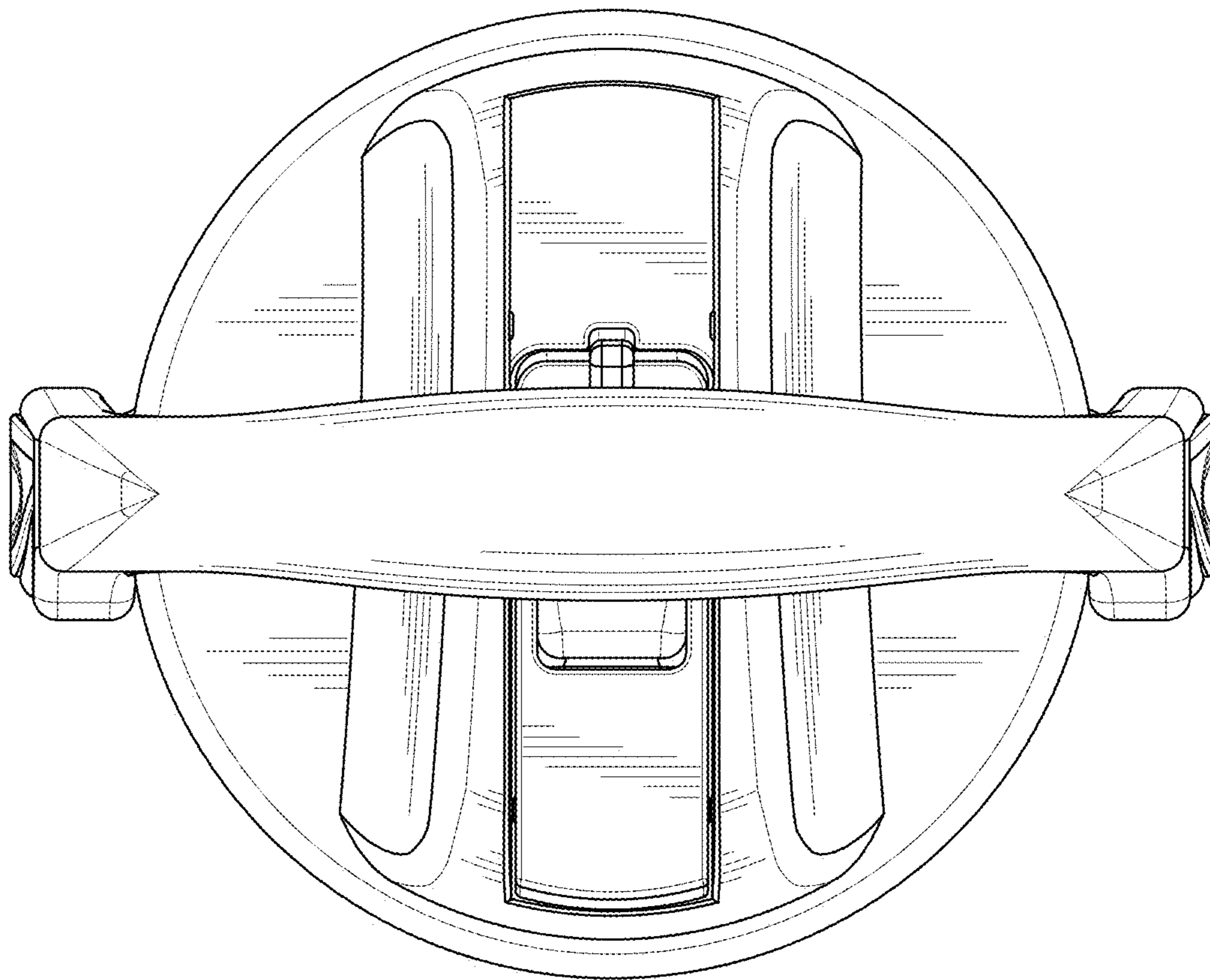


FIG.9

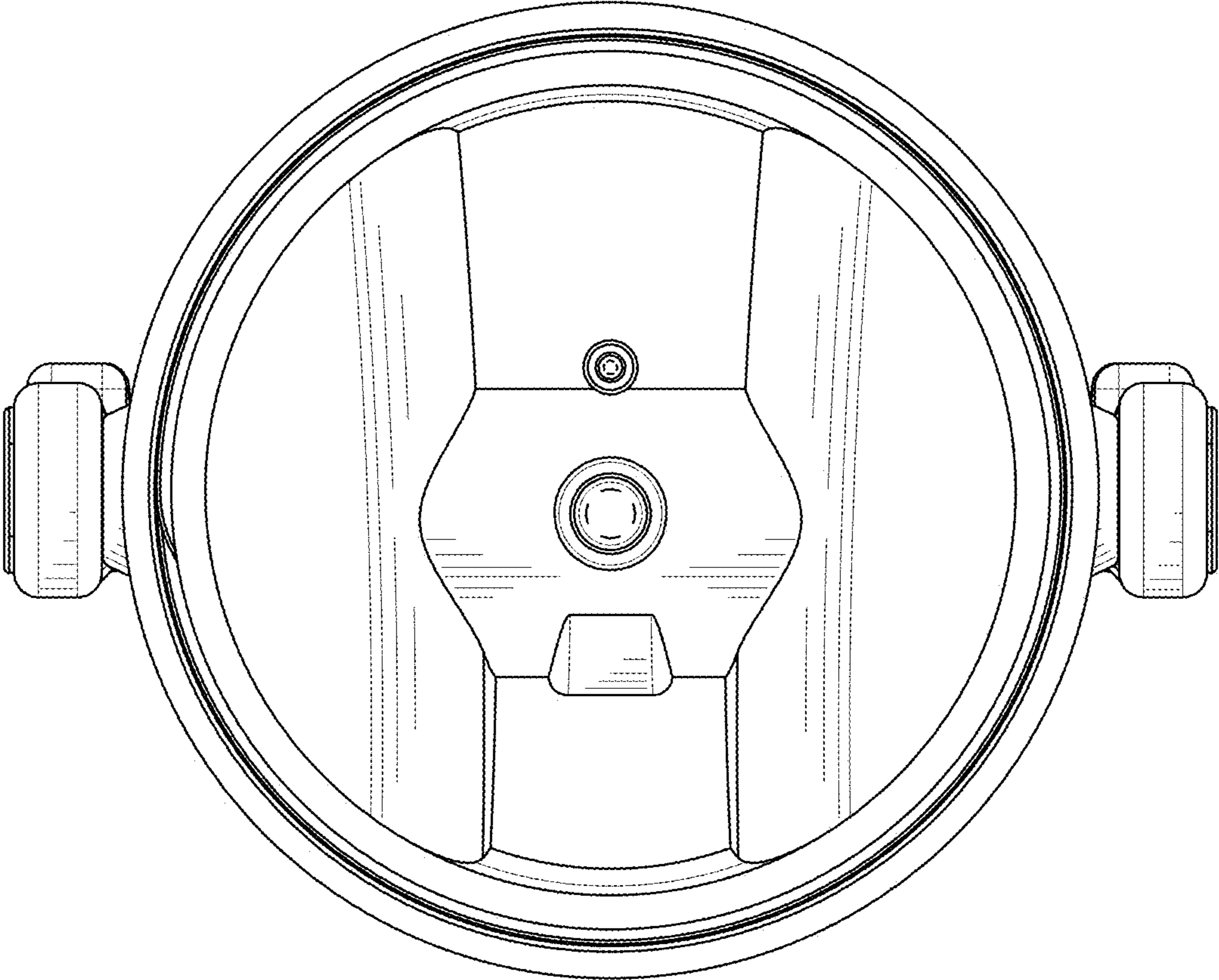


FIG.10