



US00D935836S

(12) **United States Design Patent** (10) **Patent No.:** **US D935,836 S**
Wang et al. (45) **Date of Patent:** **** Nov. 16, 2021**

(54) **LID WITH HANDLE**
(71) Applicant: **SHEN ZHEN QUICK FIT PLASTIC CO., LTD.,** Shenzhen (CN)
(72) Inventors: **Qi Wang,** Shenzhen (CN); **Hui Kang,** Shenzhen (CN)
(**) Term: **15 Years**
(21) Appl. No.: **29/752,809**
(22) Filed: **Sep. 29, 2020**
(51) **LOC (13) Cl.** **07-99**
(52) **U.S. Cl.**
USPC **D7/392.1; D7/396.2; D9/443; D9/449**
(58) **Field of Classification Search**
USPC D9/414, 434-436, 438-440, 443-457, D9/499, 503-505, 682, 685, 686, 906; D7/378, 387, 391, 392, 392.1, D7/396.2-396.4, 401.1, 507, 509-511, D7/538, 589, 700, 900; D3/202, 203.2, D3/318; D28/91.1
CPC .. A61J 1/00; A61J 1/1412; B65D 1/00; B65D 1/02; B65D 1/10; B65D 1/46; B65D 5/46; B65D 41/00; B65D 41/38; B65D 41/56; B65D 41/62; B65D 47/00; B65D 47/06; B65D 47/08; B65D 2251/00; B65D 2543/00046; B65D 2543/00092; B65D 2543/00296; B65D 2585/56; B65D 2585/545
See application file for complete search history.

(56) **References Cited**
U.S. PATENT DOCUMENTS

D534,801 S 1/2007 McMurrey et al.
D627,594 S * 11/2010 Boonprasop D7/396.2
D679,541 S * 4/2013 Samartgis D7/392.1
D710,653 S * 8/2014 Goto D7/608
D801,111 S * 10/2017 Eyal D9/449

D817,088 S 5/2018 Shirley
D824,721 S * 8/2018 Hu D9/443
D830,783 S * 10/2018 Diener D7/608
D843,778 S * 3/2019 Yao D7/392.1
D853,181 S * 7/2019 Stanton D7/392
D858,181 S * 9/2019 Lown D9/443
D865,441 S * 11/2019 Lowette D7/392
D867,811 S * 11/2019 Lane D7/392.1
D870,509 S * 12/2019 Bo D7/392.1
D896,024 S * 9/2020 Wang D7/392.1
D896,574 S * 9/2020 Wang D7/392.1
D896,649 S * 9/2020 Wang D9/452
D900,536 S * 11/2020 Yao D7/396.2
D903,404 S * 12/2020 Bram D9/449
D916,560 S * 4/2021 Wu D7/392.1
D920,041 S * 5/2021 Chen D7/396.2

(Continued)

FOREIGN PATENT DOCUMENTS

EM 008265557-0004 * 11/2020
GB 9008265557-0004 * 11/2020

Primary Examiner — Wendy L Arminio

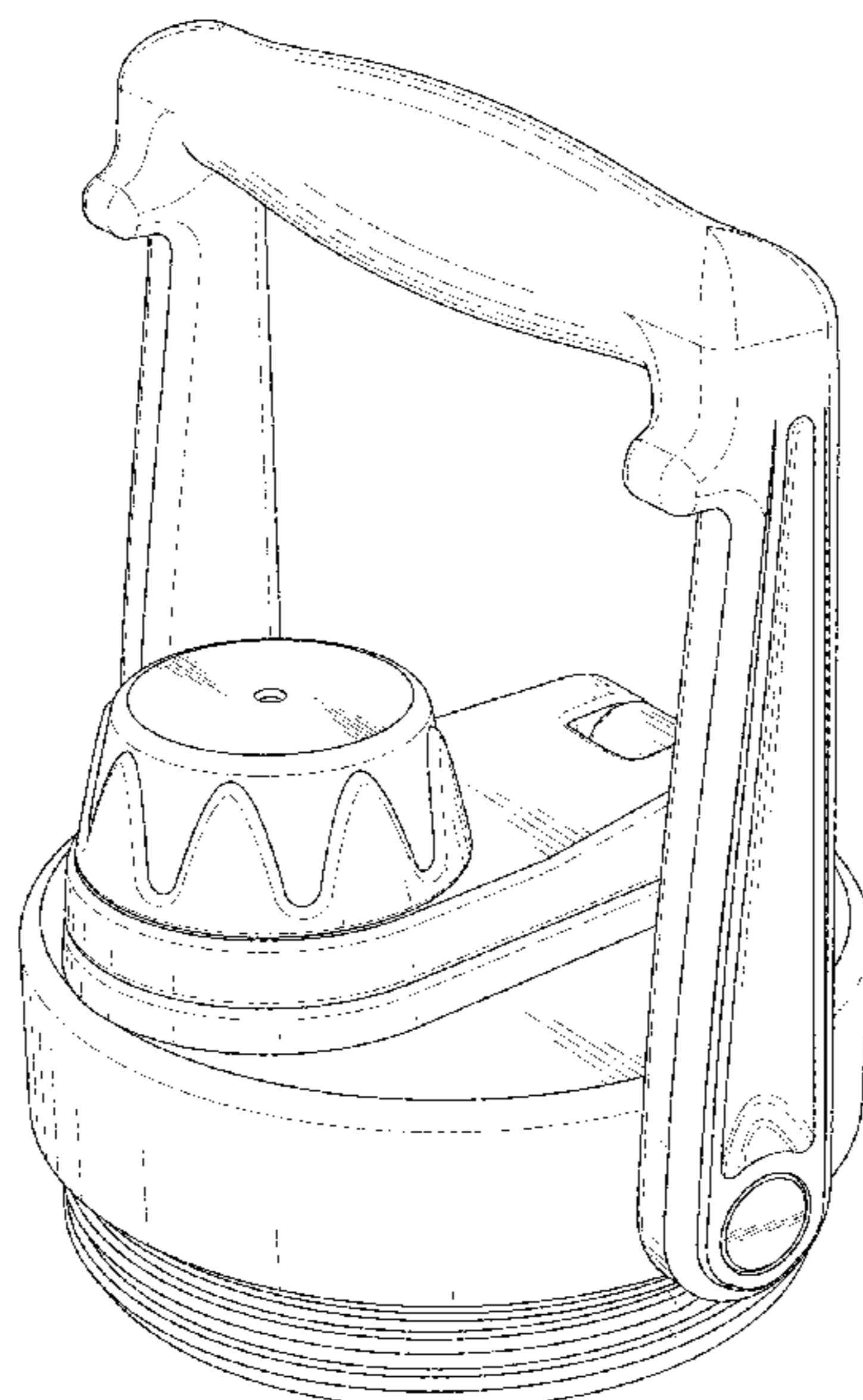
(57) **CLAIM**

The ornamental design for a lid with handle, as shown and described.

DESCRIPTION

FIG. 1 is a perspective view of a lid with handle showing my new design;
FIG. 2 is another perspective view thereof;
FIG. 3 is a front view thereof;
FIG. 4 is a rear view thereof;
FIG. 5 is a left side view thereof;
FIG. 6 is a right side view thereof;
FIG. 7 is a top plan view thereof;
FIG. 8 is a bottom plan view thereof; and,
FIG. 9 is a right side view thereof in its use state.
The broken lines in the figures illustrate portions of the lid with handle that form no part of the claimed design.

1 Claim, 9 Drawing Sheets



(56)

References Cited

U.S. PATENT DOCUMENTS

D922,136 S * 6/2021 Lin D9/443
D924,626 S * 7/2021 Wang D7/392.1

* cited by examiner

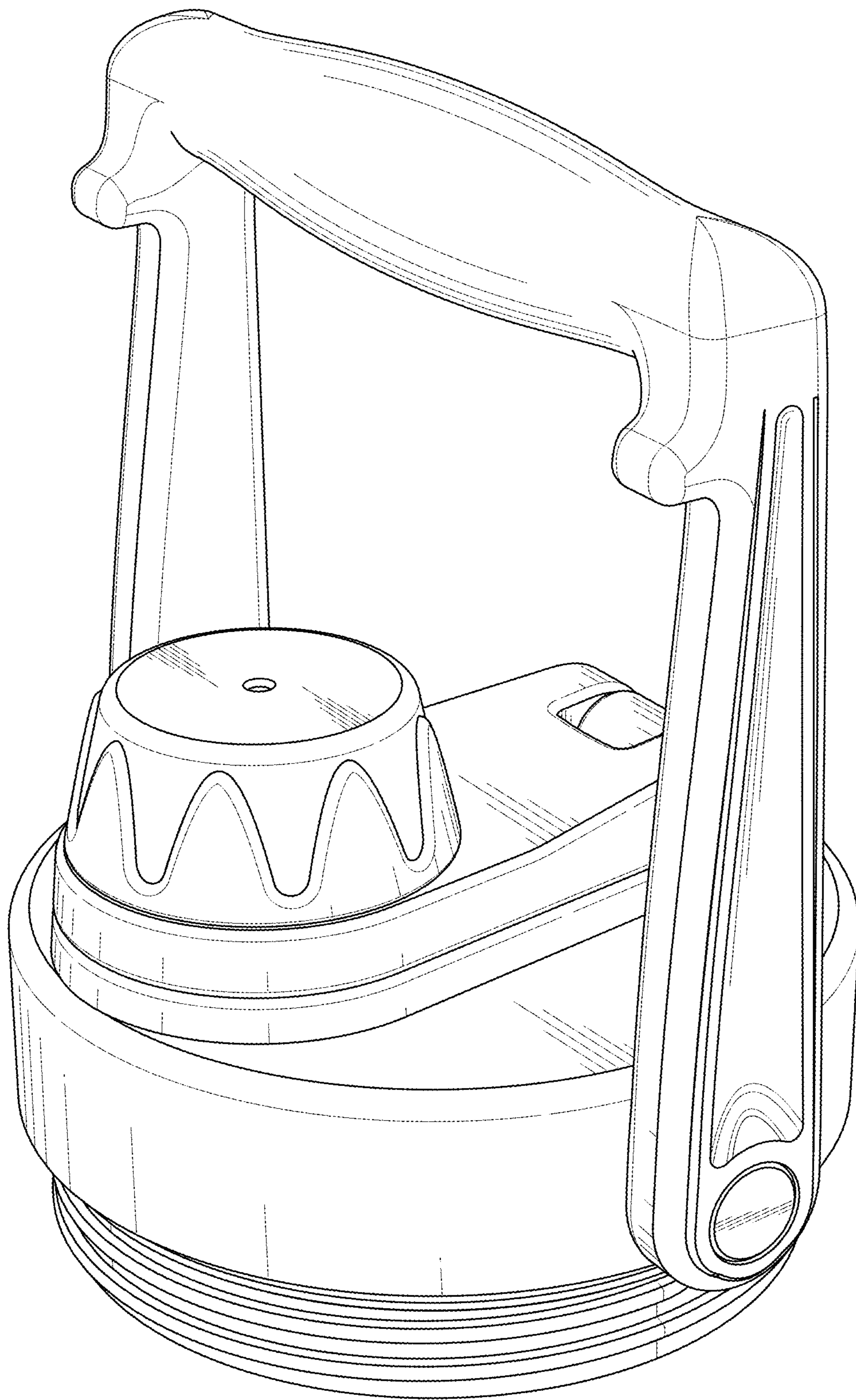


FIG. 1

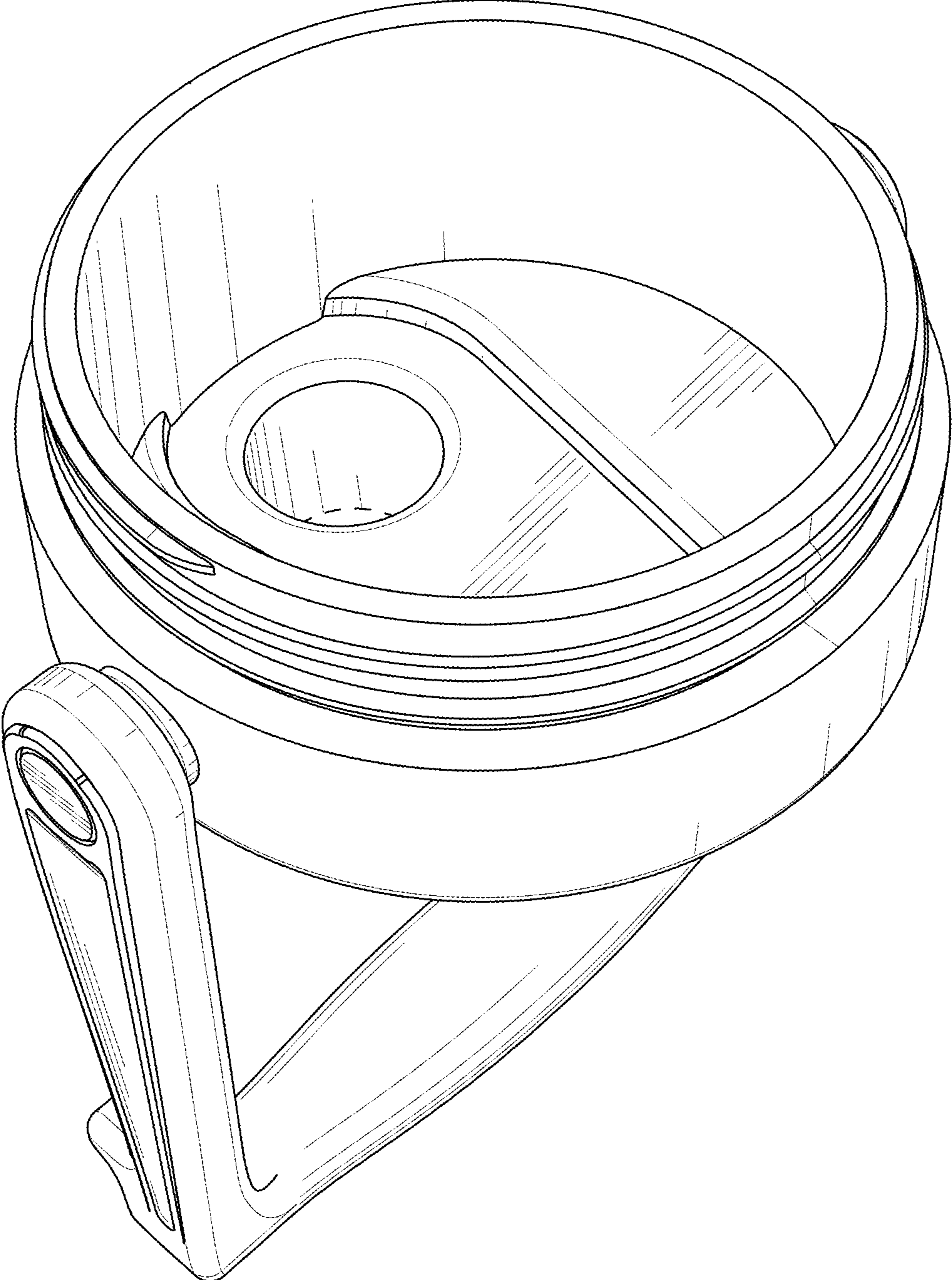


FIG. 2

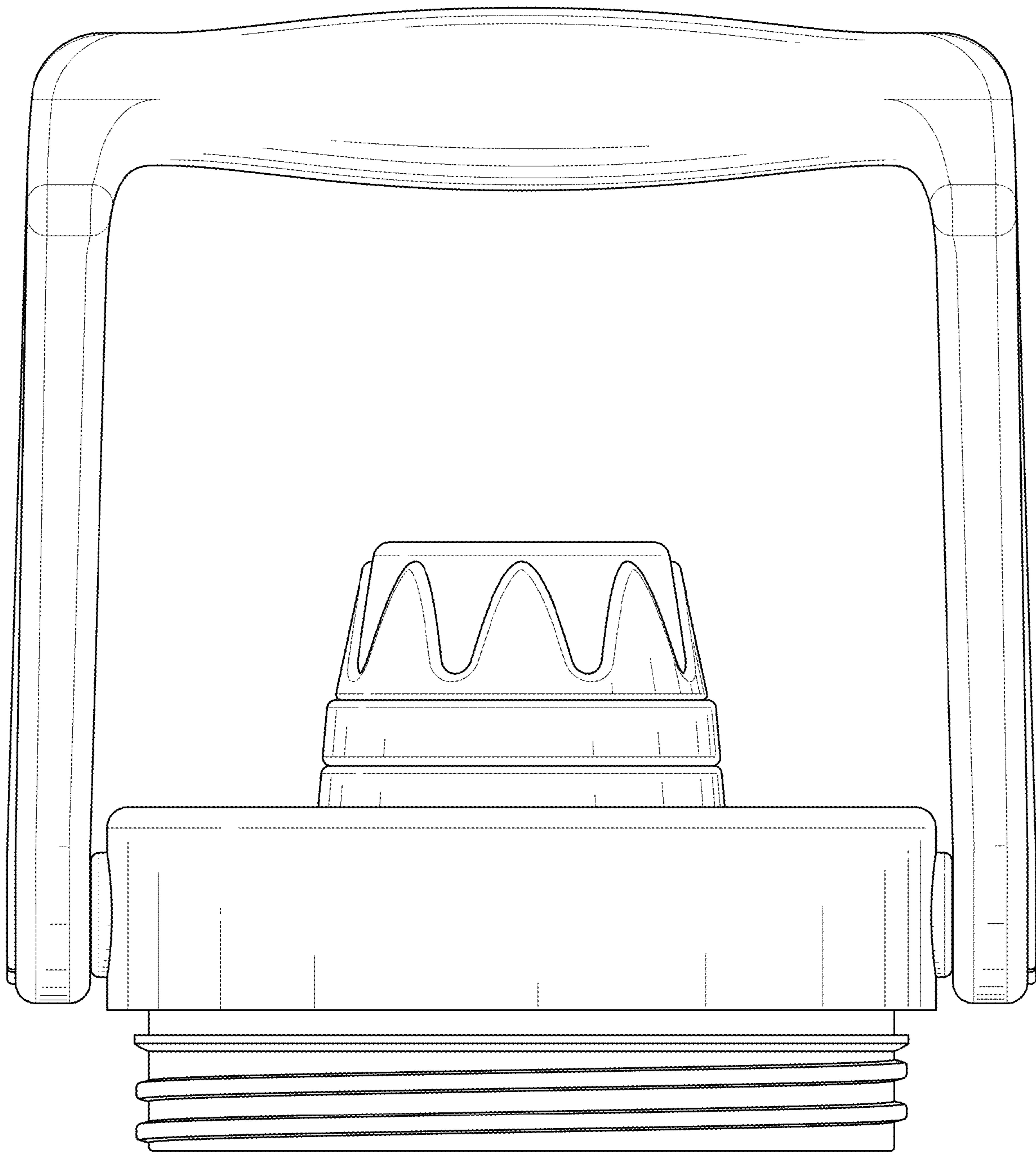


FIG. 3

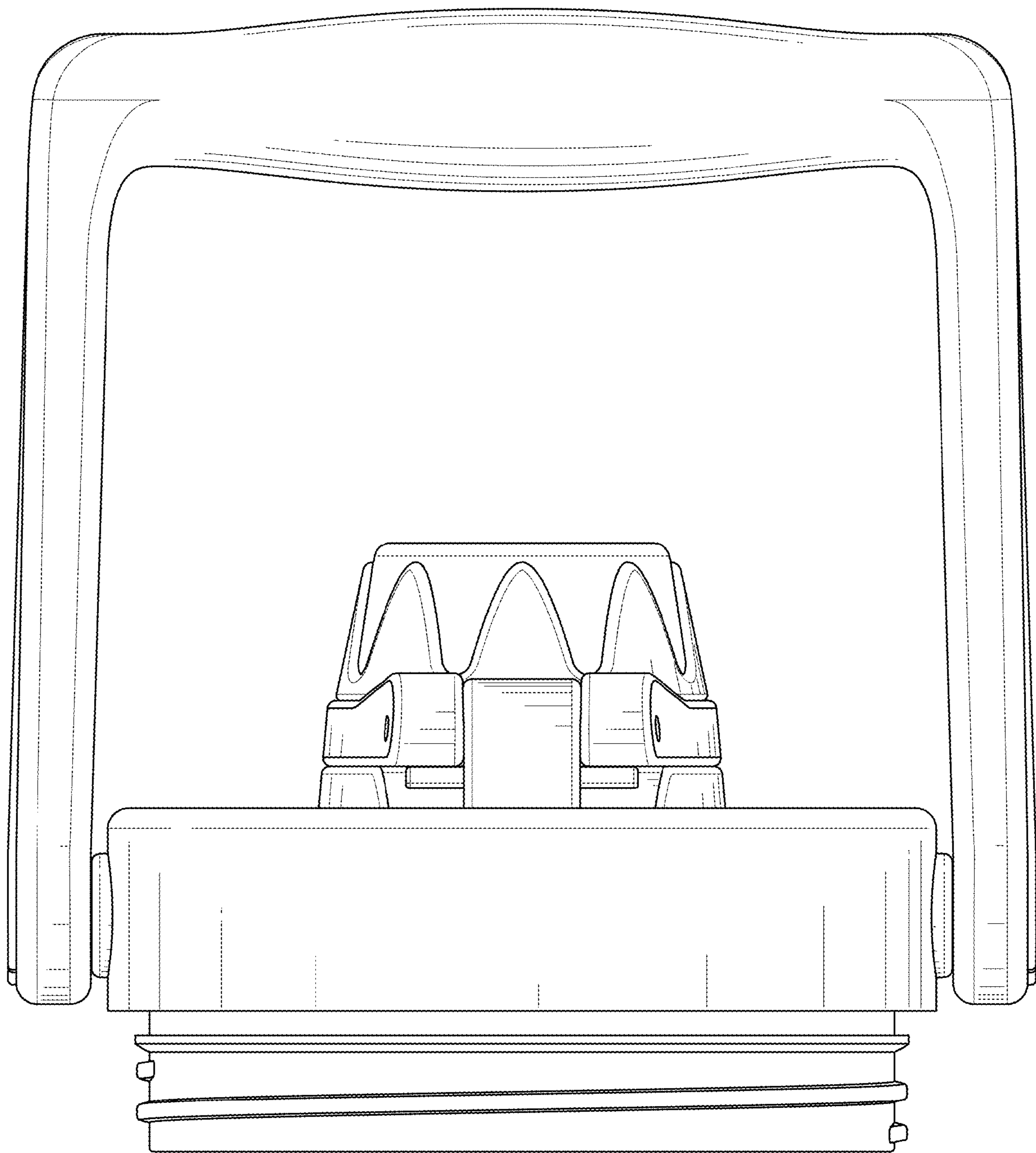


FIG. 4

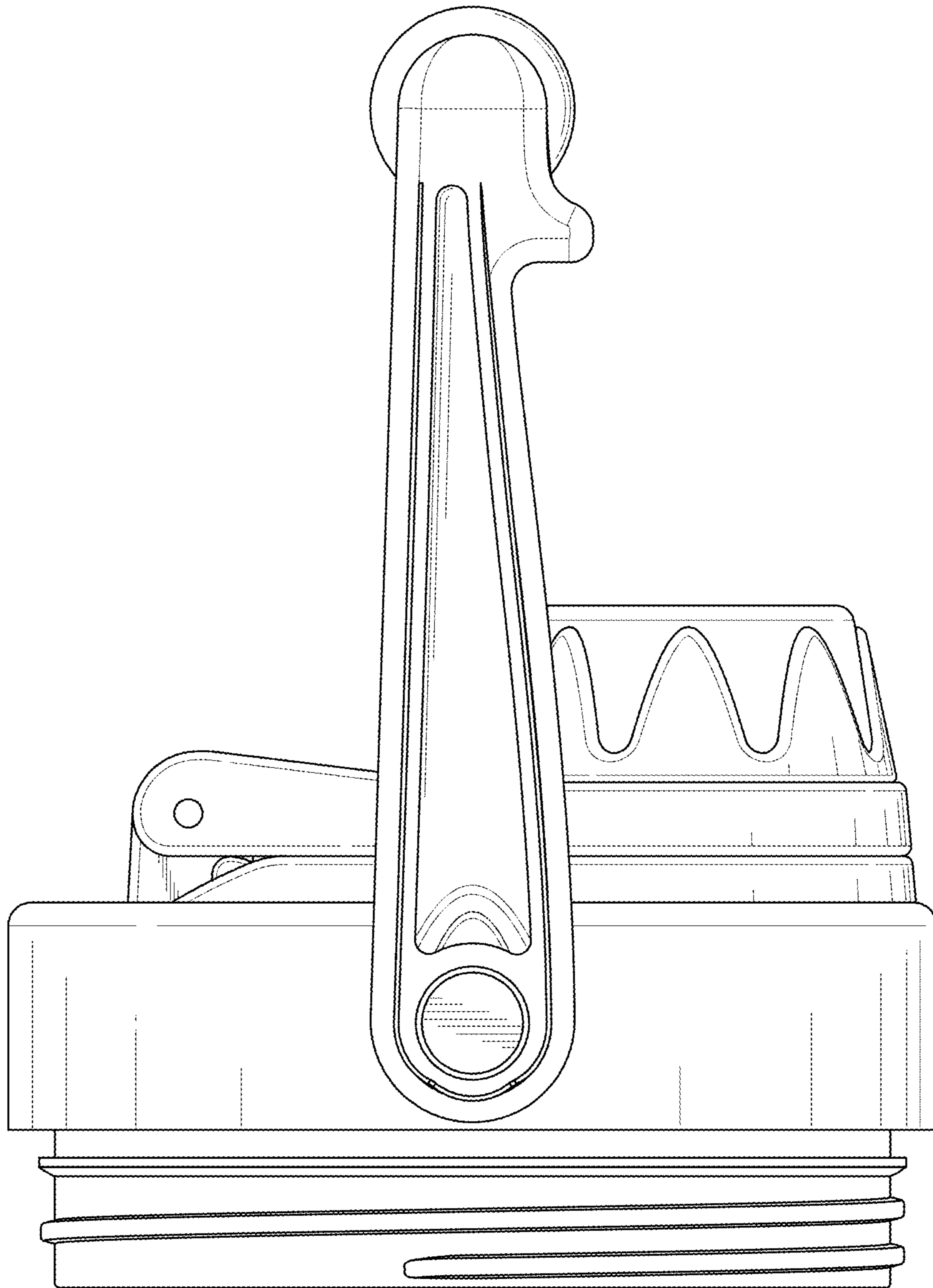


FIG. 5

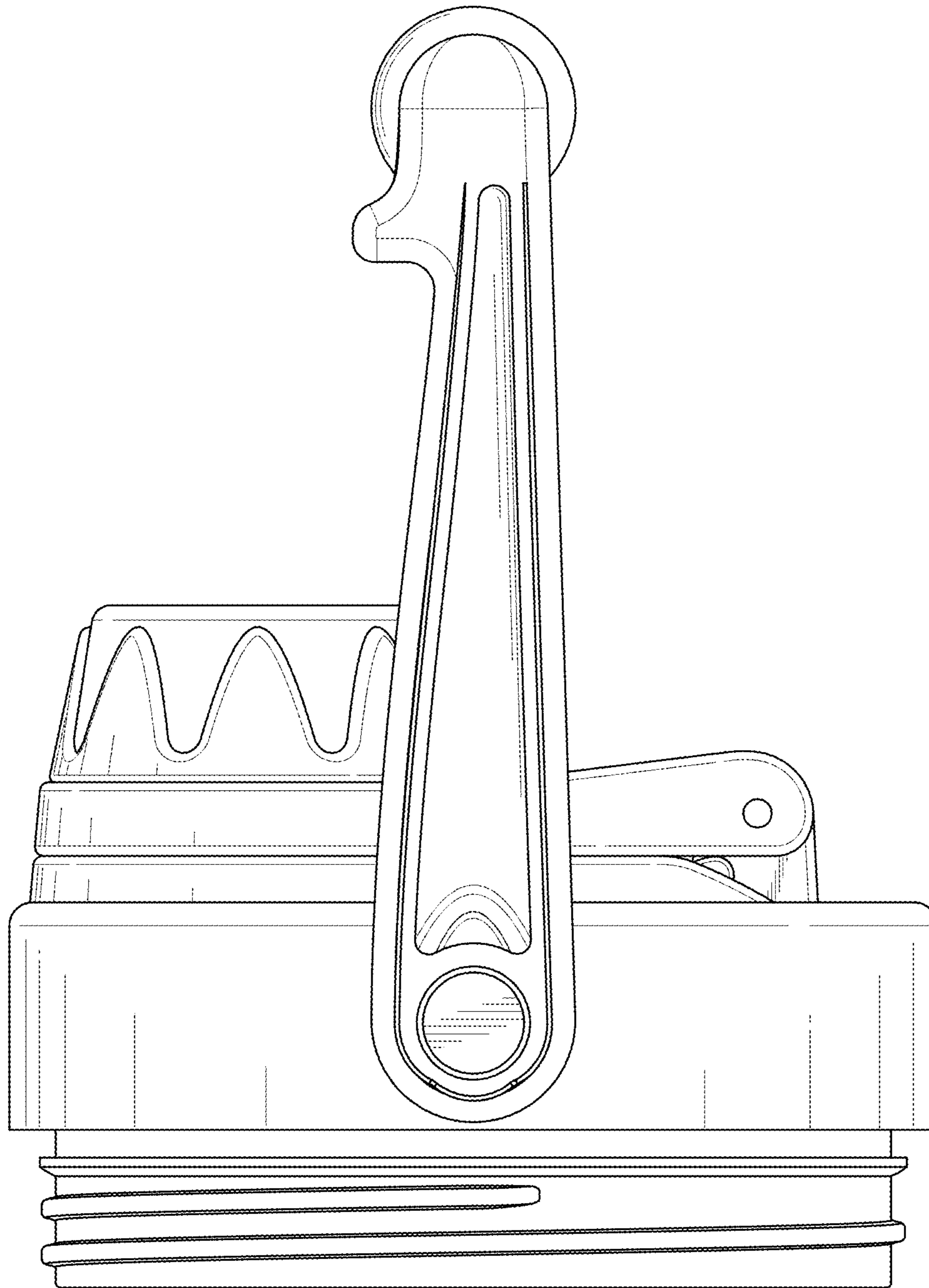


FIG. 6

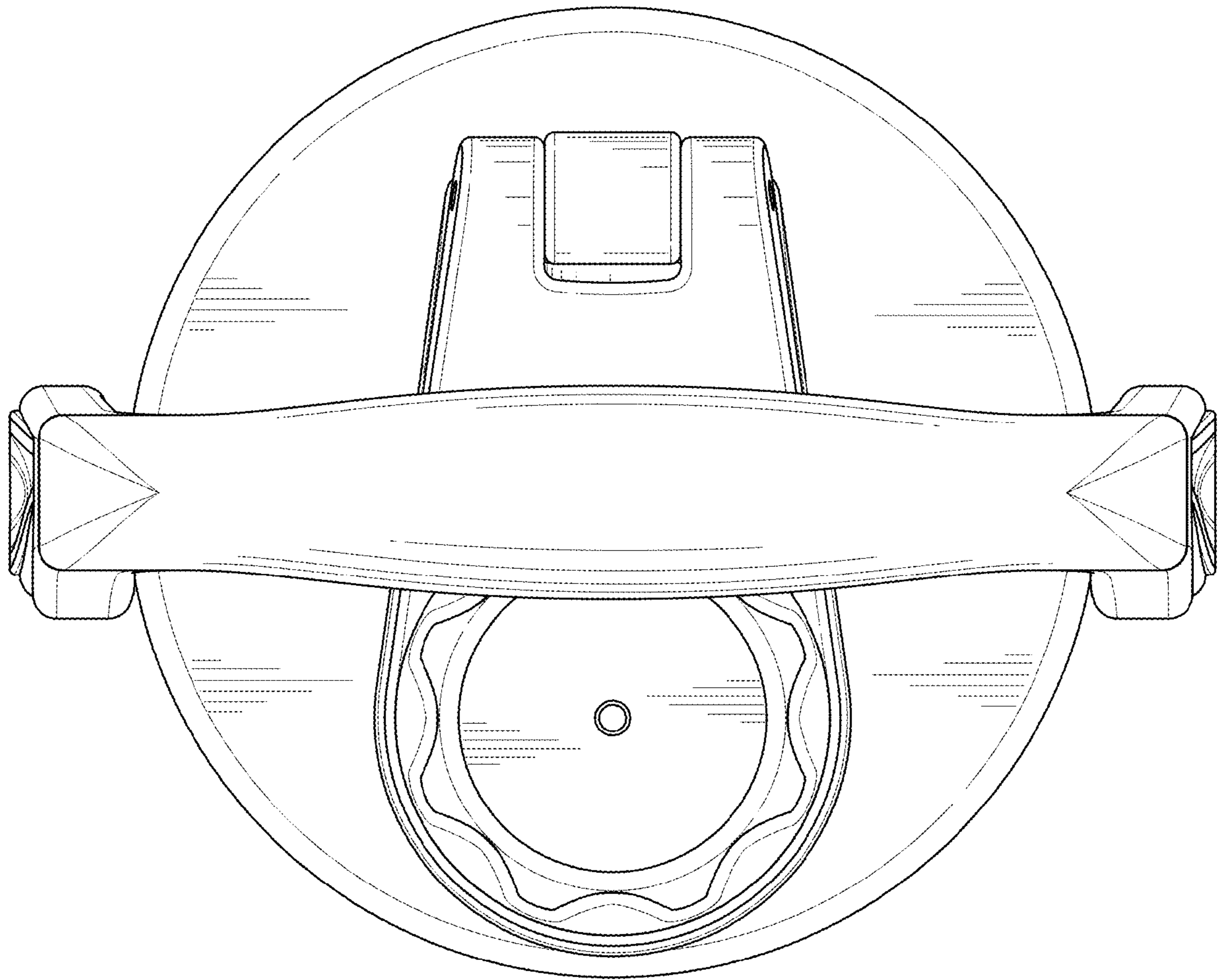


FIG. 7

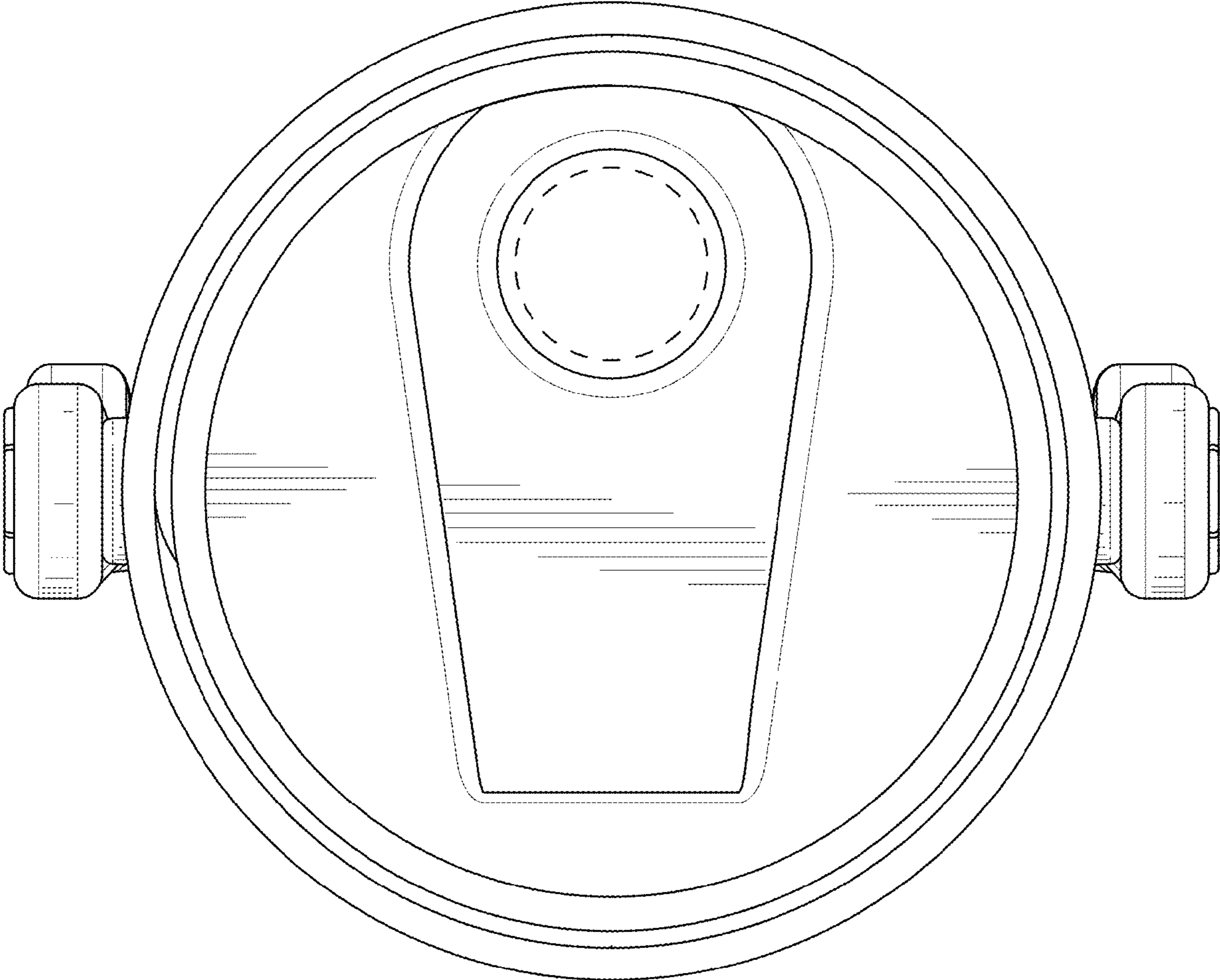


FIG. 8

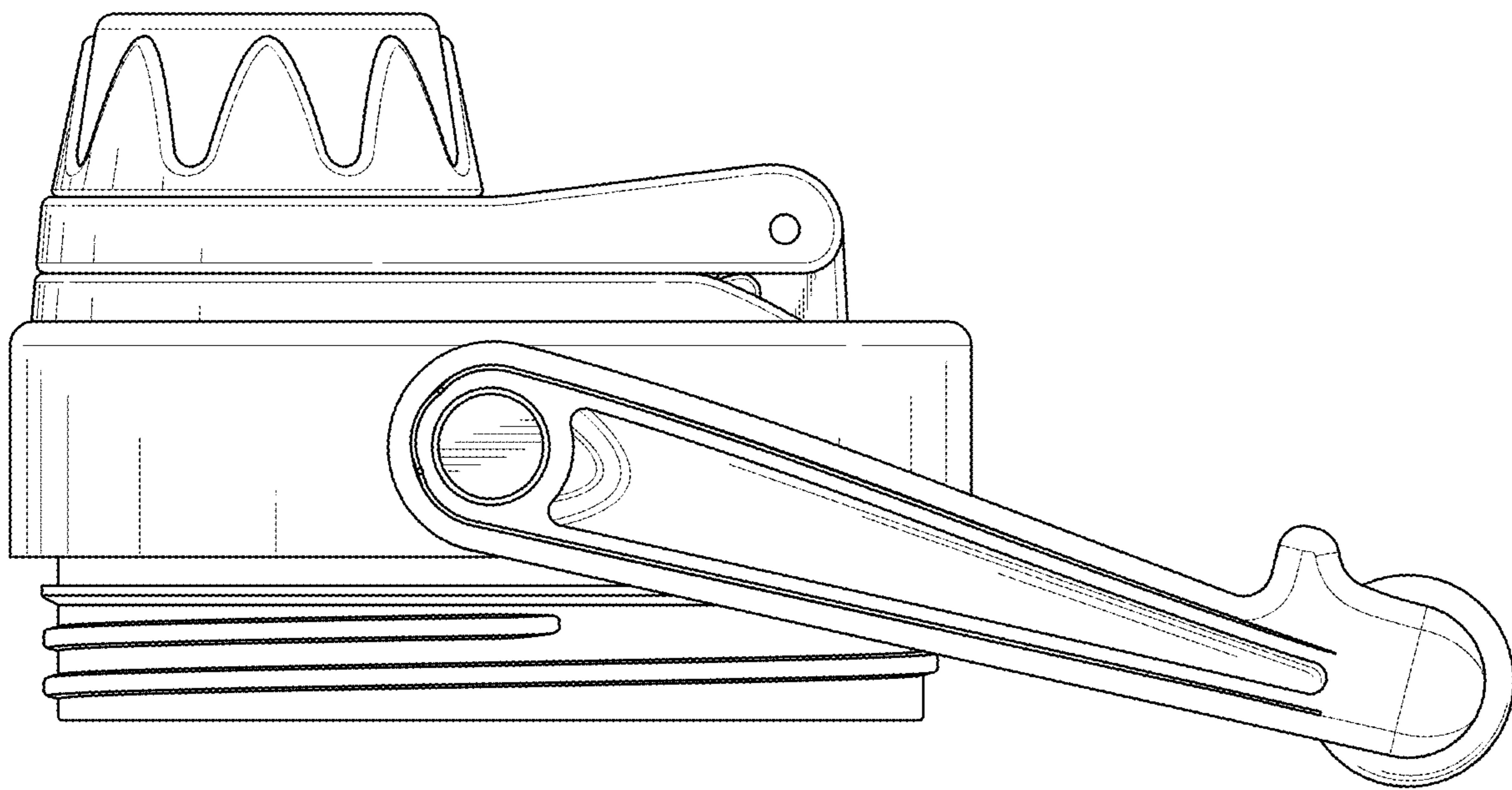


FIG. 9