



US00D935835S

(12) **United States Design Patent** (10) **Patent No.:** **US D935,835 S**  
**Marsden et al.** (45) **Date of Patent:** **\*\* Nov. 16, 2021**

(54) **COCKTAIL SHAKER**

(71) Applicant: **Helen of Troy Limited**, St. Michael (BB)

(72) Inventors: **Douglas Marsden**, Marblehead, MA (US); **Benjamin Beck**, Boston, MA (US); **Ryan Donovan**, Newton, MA (US); **Michael McDuffee**, Gloucester, MA (US)

(73) Assignee: **Helen of Troy Limited**, St. Michael (BB)

(\*\*) Term: **15 Years**

(21) Appl. No.: **29/732,046**

(22) Filed: **Apr. 21, 2020**

**Related U.S. Application Data**

(63) Continuation of application No. 29/643,424, filed on Apr. 9, 2018, now abandoned.

(51) **LOC (13) Cl.** ..... **07-01**

(52) **U.S. Cl.**  
USPC ..... **D7/392.1; D7/396.2; D7/300.1**

(58) **Field of Classification Search**  
USPC ..... **D7/387, 392.1, 396.2, 393, 394, 397, D7/398, 510, 511, 213, 533, 536, 300.1; D9/435, 436, 439, 440, 449**  
CPC ..... **A47G 19/22; A47G 19/2211; A47G 19/2222; A45F 3/16; B65D 41/04**  
See application file for complete search history.

(56) **References Cited**

**U.S. PATENT DOCUMENTS**

D802,993 S \* 11/2017 Joseph ..... D7/392.1  
D811,810 S \* 3/2018 Joseph ..... D7/392.1  
D814,855 S \* 4/2018 Hammer ..... D7/392.1  
D833,224 S \* 11/2018 Wahlkvist ..... D7/510  
D854,880 S \* 7/2019 Meyers ..... D7/392.1  
D858,182 S \* 9/2019 Keung ..... D7/392.1

D863,877 S \* 10/2019 Meyers ..... D7/396.2  
D864,657 S \* 10/2019 Omdahl, II ..... D7/392.1  
D875,473 S \* 2/2020 Wahlkvist ..... D7/510  
D878,150 S \* 3/2020 Omdahl, II ..... D7/396.2  
D878,855 S \* 3/2020 Nucci ..... D7/392.1  
D897,149 S \* 9/2020 Sorensen ..... D7/392.1  
D897,760 S \* 10/2020 Feng ..... D7/392.1  
D898,507 S \* 10/2020 Ekblom ..... D7/392.1  
D899,846 S \* 10/2020 Wang ..... D7/392.1  
D900,540 S \* 11/2020 Sorensen ..... D7/392.1  
D903,403 S \* 12/2020 Ames ..... D7/392.1  
D922,136 S \* 6/2021 Lin ..... D7/392.1  
D923,396 S \* 6/2021 Lin ..... D7/392.1  
2014/0091086 A1 \* 4/2014 Sorensen ..... A47G 19/2205  
220/4.27

**OTHER PUBLICATIONS**

[https://www.amazon.com/OXO-1058018-Steel-Cocktail-Shaker/dp/B0001YH13E/ref=sr\\_1\\_24?dchild=1&keywords=cocktail+shaker+with+rubber+lid&qid=1627511445&s=home-garden&sr=1-24](https://www.amazon.com/OXO-1058018-Steel-Cocktail-Shaker/dp/B0001YH13E/ref=sr_1_24?dchild=1&keywords=cocktail+shaker+with+rubber+lid&qid=1627511445&s=home-garden&sr=1-24) (Year: 2006).\*

[https://www.amazon.com/VonShef-Parisian-Cocktail-Hawthorne-Strainer/dp/B07H5JNG63/ref=sr\\_1\\_29?dchild=1&keywords=jigger+bottle&qid=1627511192&s=home-garden&sr=1-29](https://www.amazon.com/VonShef-Parisian-Cocktail-Hawthorne-Strainer/dp/B07H5JNG63/ref=sr_1_29?dchild=1&keywords=jigger+bottle&qid=1627511192&s=home-garden&sr=1-29) (Year: 2018).\*

\* cited by examiner

*Primary Examiner* — Jae Liang

(74) *Attorney, Agent, or Firm* — Rankin, Hill & Clark LLP

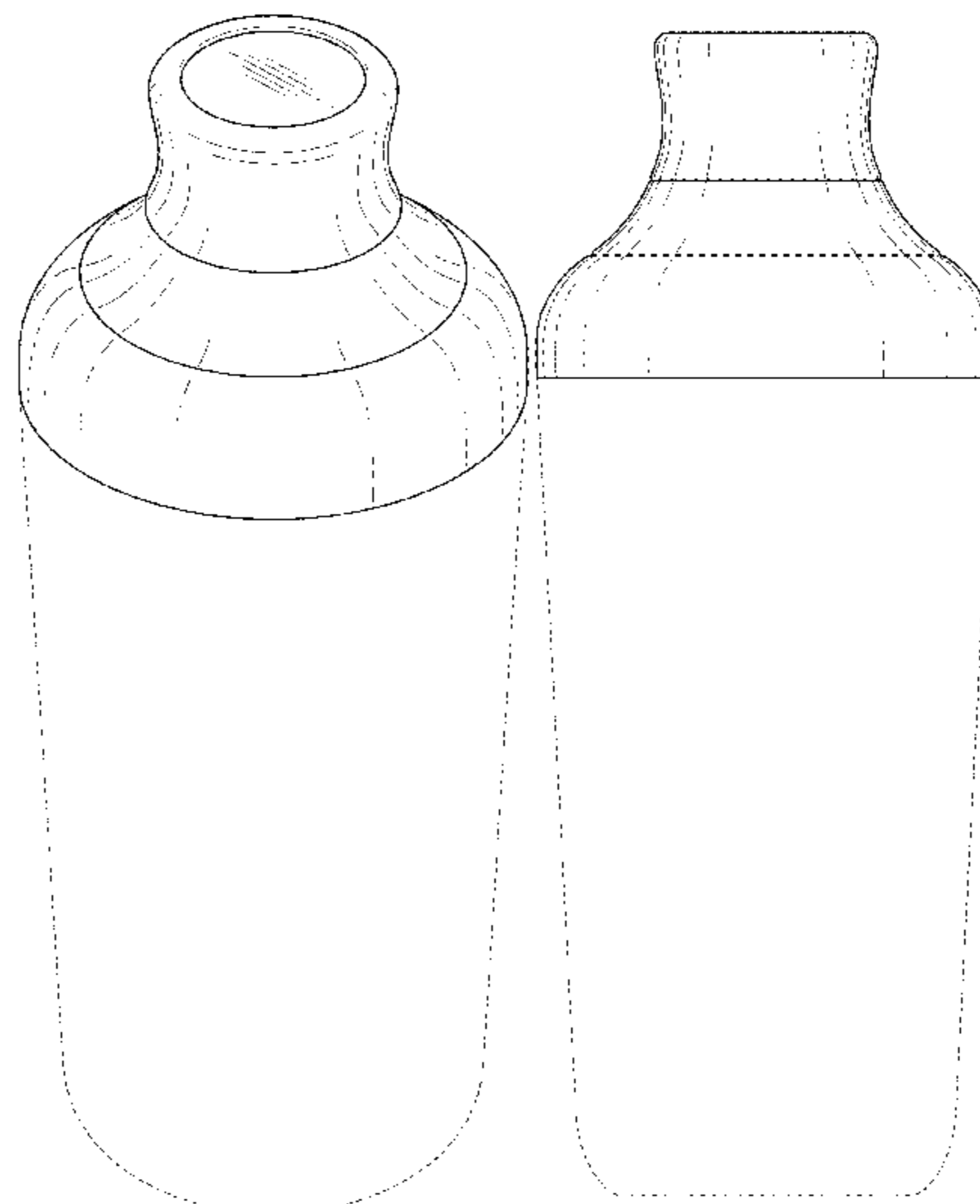
(57) **CLAIM**

The ornamental design for a cocktail shaker, as shown and described.

**DESCRIPTION**

FIG. 1 is a perspective view of a cocktail shaker; FIG. 2 is a side elevation view thereof; FIG. 3 is a top plan view thereof; and, FIG. 4 is a bottom plan view thereof. The broken lines in the drawings depict portions of the cocktail shaker that form no part of the claimed design.

**1 Claim, 4 Drawing Sheets**



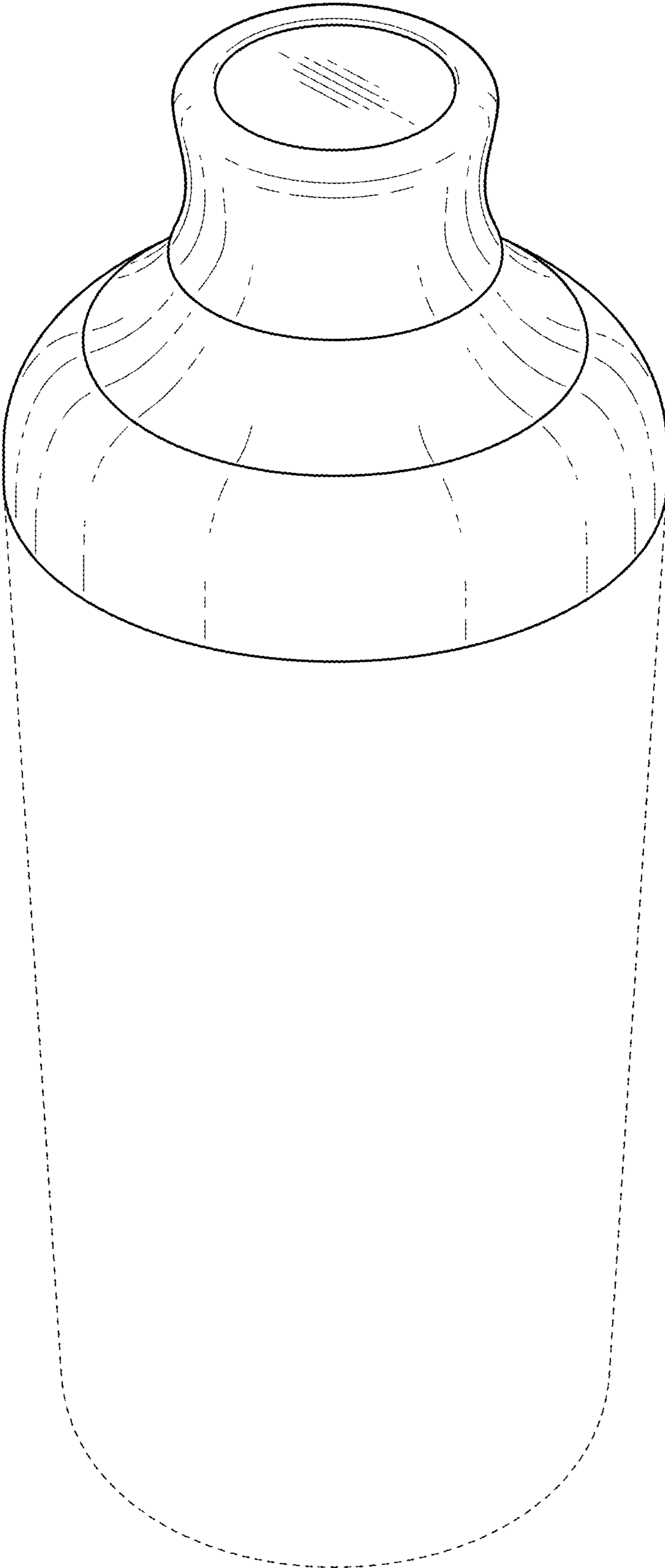


FIG. 1

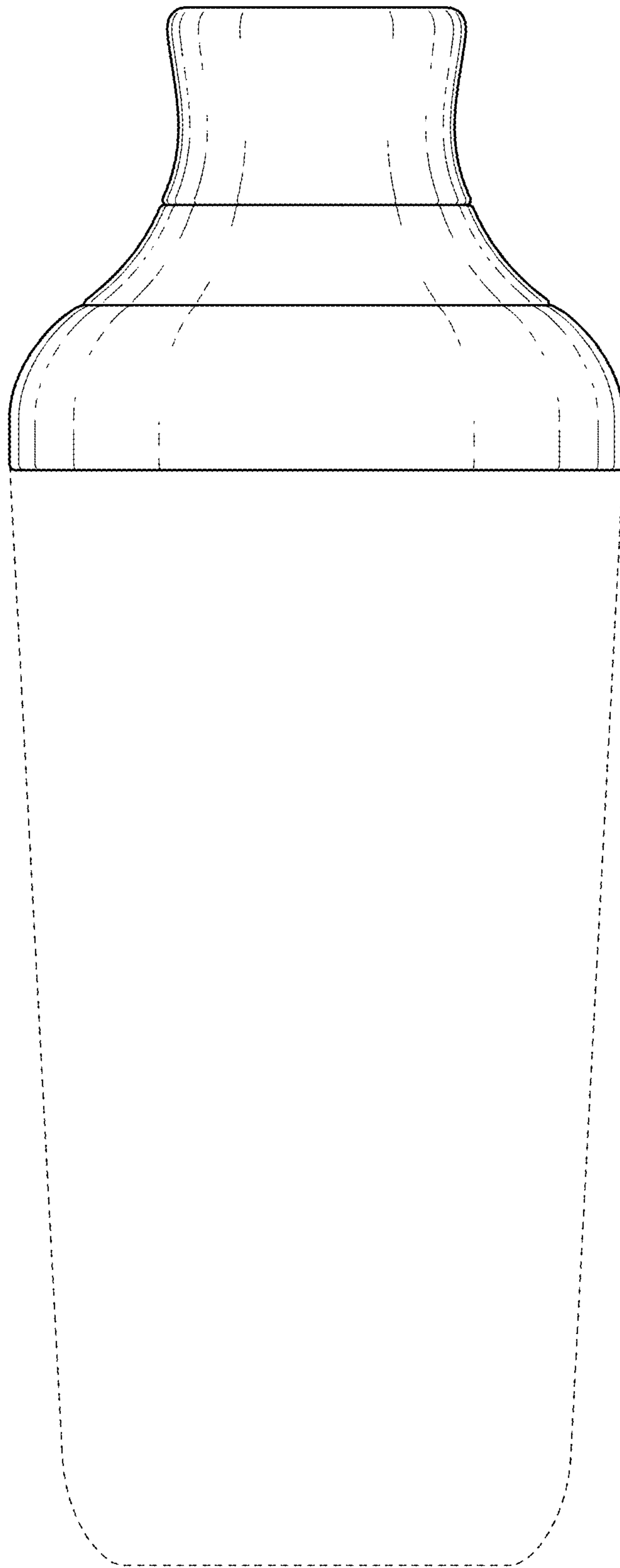


FIG. 2

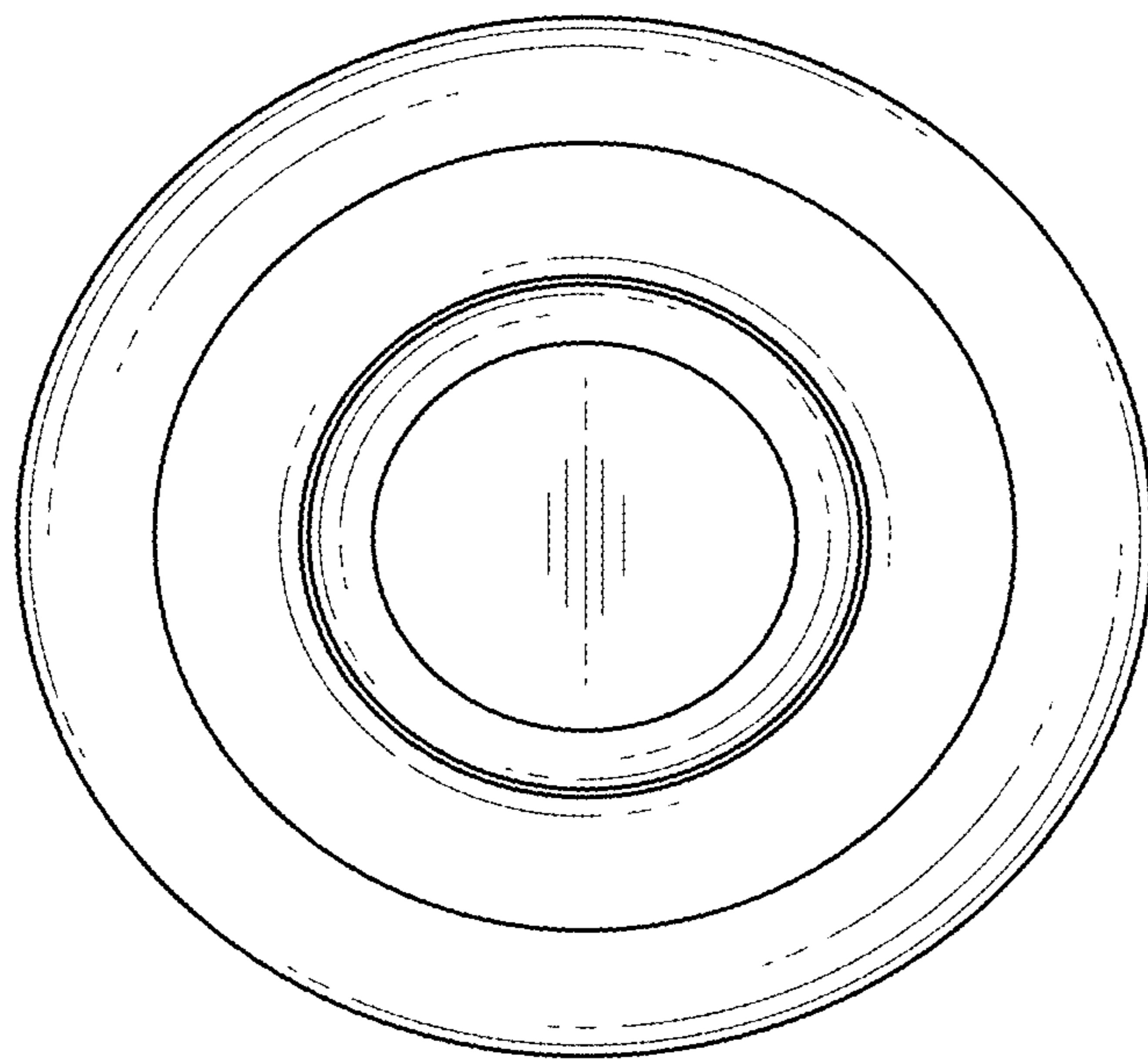


FIG. 3

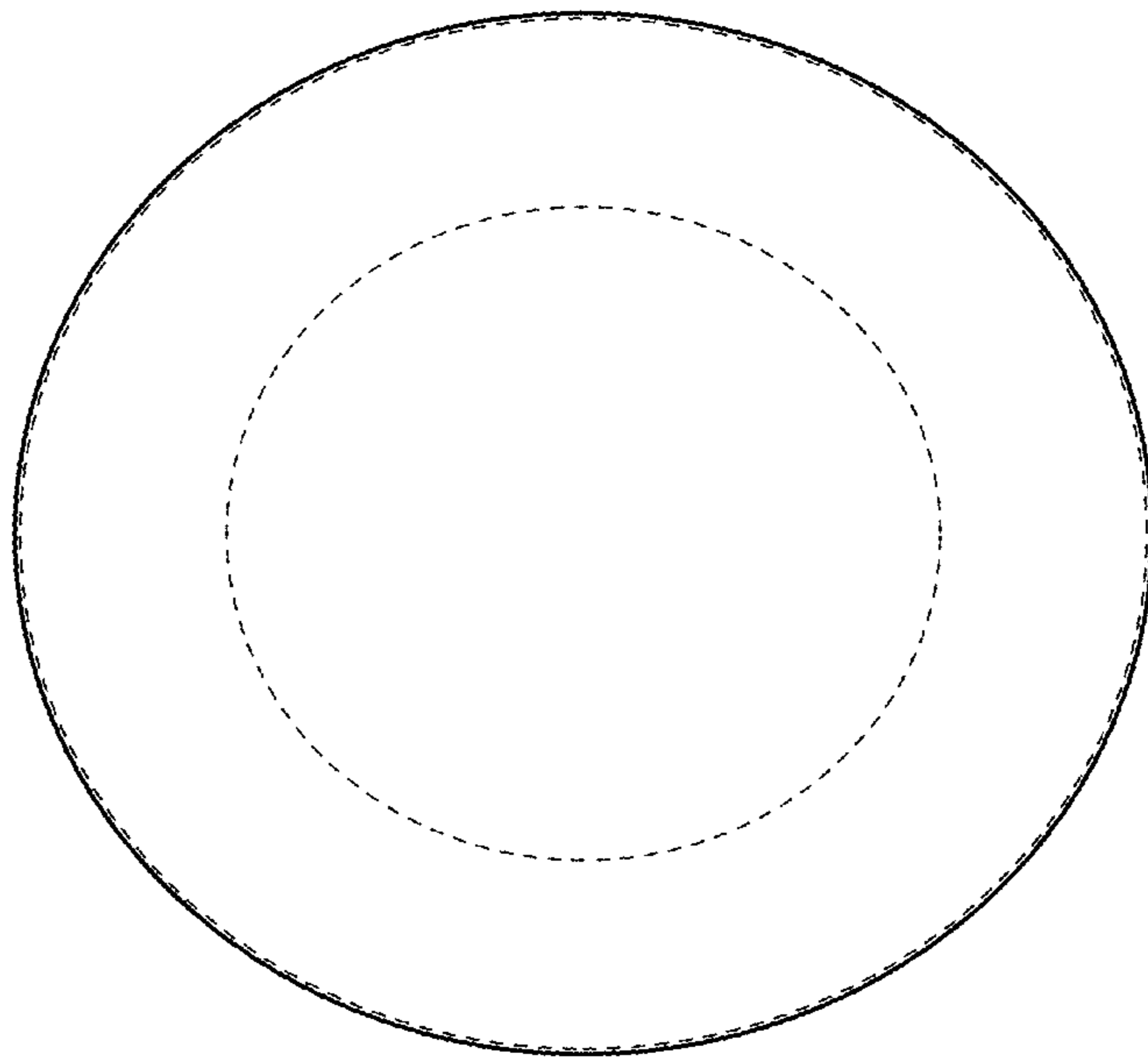


FIG. 4