



US00D935832S

(12) **United States Design Patent** (10) **Patent No.:** **US D935,832 S**
Weber (45) **Date of Patent:** **** Nov. 16, 2021**

(54) **COFFEE GRINDER**

FOREIGN PATENT DOCUMENTS

(71) Applicant: **Strategic Exits LLC**, Incline Village, NV (US)

AU 2016203881 6/2016

(72) Inventor: **Douglas Weber**, Incline Village, NV (US)

OTHER PUBLICATIONS

(73) Assignee: **Strategic Exits LLC**, Incline Village, NV (US)

Country Living Grain Mill with Large Corn & Bean Auger. Date First Available on Amazon.com Sep. 14, 2011. <https://www.amazon.com/dp/B005MZCP60/ref> (Year: 2011).*

(**) Term: **15 Years**

(Continued)

(21) Appl. No.: **29/772,975**

Primary Examiner — Ricky Pham

(22) Filed: **Mar. 5, 2021**

(74) *Attorney, Agent, or Firm* — Todd R. Miller

(51) **LOC (13) Cl.** **31-00**

(52) **U.S. Cl.**

(57) **CLAIM**

USPC **D7/373**

The ornamental design for a coffee grinder, as shown and described.

(58) **Field of Classification Search**

DESCRIPTION

USPC D7/372, 376-386, 665-666, 669, 673, D7/678-679, 693-694

FIG. 1 is a perspective view embodying the inventive design;

CPC A01F 2015/07; A01F 2015/077; A01F 2015/0775; A23N 1/00; A23N 1/02;

FIG. 2 is a front view thereof;

A23N 4/12; A47J 19/00; A47J 19/005;

FIG. 3 is a rear view thereof;

A47J 19/02; A47J 19/025; A47J 19/04;

FIG. 4 is a right side view thereof;

A47J 19/06; A47J 42/32; A47J 42/34;

FIG. 5 is a left side view thereof;

A47J 42/36; A47J 43/044; A47J 43/25;

FIG. 6 is a top view thereof;

A47J 43/255; B01F 7/26; B01F 7/28;

FIG. 7 is a bottom view thereof;

B01F 11/0082; B01F 13/04; B02C 13/00;

FIG. 8 is a perspective view of a second embodiment of the inventive design showing the lower container exploded for completeness of disclosure.

B02C 13/02; B02C 13/10; B02C 18/06;

FIG. 9 is a front view thereof;

B02C 18/26; B02C 18/30; B02C 18/302;

FIG. 10 is a rear view thereof;

B02C 18/304; B02C 18/305; B02C 25/00;

FIG. 11 is a right side view thereof;

B02C 2002/00; B02C 2013/00; B02C

FIG. 12 is a left side view thereof;

2013/14; B02C 2013/145; B02C 2013/18;

FIG. 13 is a top view thereof; and,

B02C 2013/1807; B02C 2013/1857;

FIG. 14 is a bottom view thereof.

B02C

(Continued)

The broken lines in the figures are shown for illustrative purposes only and form no part of the claimed design.

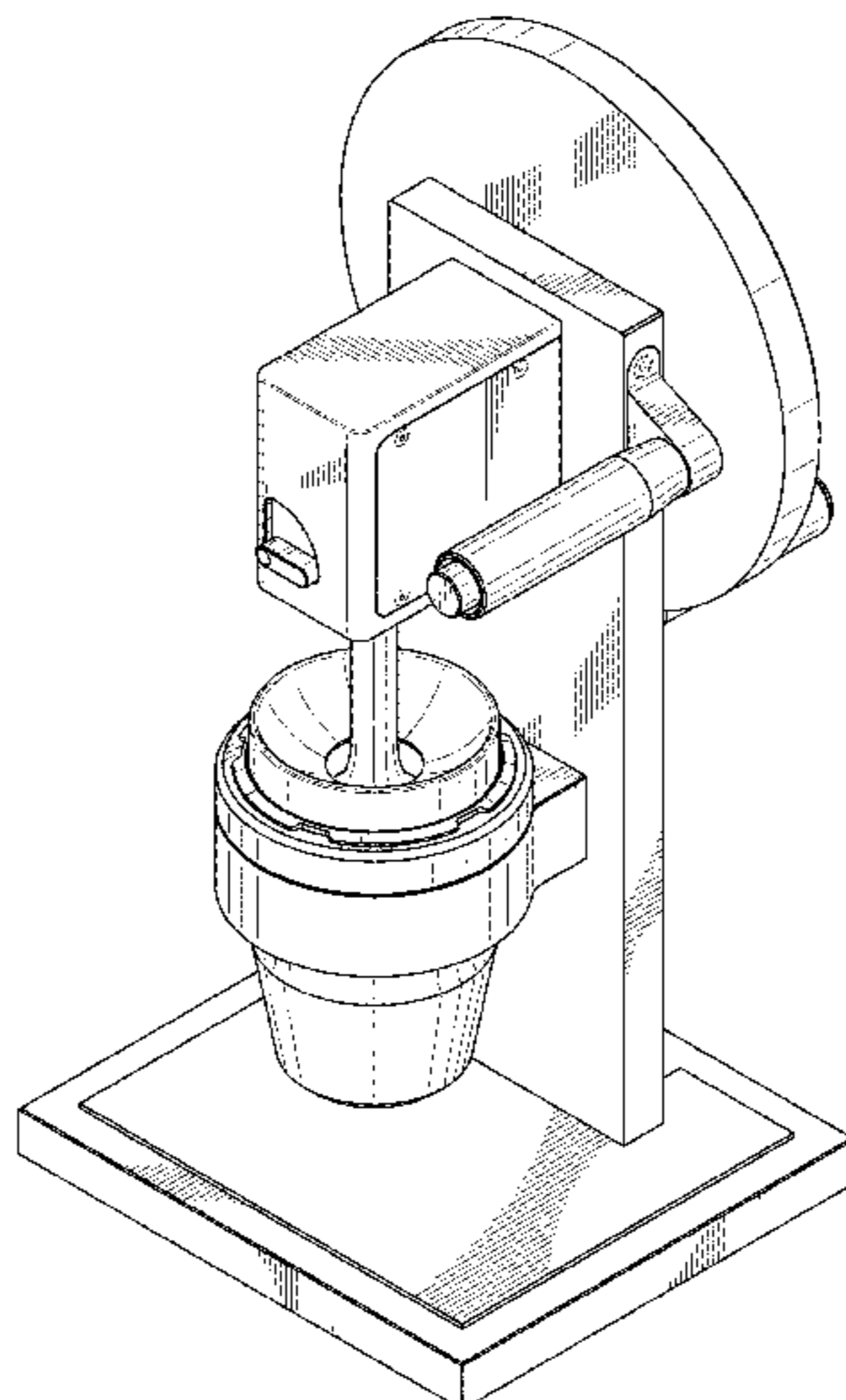
(56) **References Cited**

1 Claim, 14 Drawing Sheets

U.S. PATENT DOCUMENTS

D113,738 S 5/1938 Hand
2,639,748 A * 5/1953 Peel A47J 43/255
241/273.1

(Continued)



- (58) **Field of Classification Search**
 CPC 2013/1864; B30B 9/00; B30B 9/16; B30B
 9/18; B30B 9/20; B30B 9/26; B30B
 9/205; B30B 9/207
 See application file for complete search history.

(56) **References Cited**

U.S. PATENT DOCUMENTS

D260,129 S * 8/1981 Shun D7/372
 D280,690 S * 9/1985 Bloxham D15/123
 D335,615 S * 5/1993 Kannukkaden D7/678
 D370,837 S * 6/1996 Lee D7/666
 D422,184 S * 4/2000 Kao D7/666
 6,148,719 A * 11/2000 Poltielov A23N 4/12
 99/542
 6,321,644 B1 * 11/2001 Kao A47J 19/025
 100/125
 6,377,022 B1 4/2002 Rhoads
 D458,518 S * 6/2002 Zarlengo D7/666
 D508,384 S * 8/2005 Lee D7/673
 7,464,888 B2 12/2008 Maylkke
 7,604,191 B2 10/2009 Pai

D634,155 S 3/2011 Duncan
 8,534,579 B2 9/2013 Carapelli
 D700,006 S 2/2014 Braune
 8,960,077 B2 2/2015 Doglioni Major
 D735,537 S * 8/2015 Cohen D7/666
 D755,581 S * 5/2016 Garman D7/666
 D756,700 S 5/2016 Warman
 9,364,019 B2 * 6/2016 Healy A23N 4/12
 9,427,110 B2 8/2016 Hoare
 9,578,989 B2 2/2017 Laegdsgaard
 D839,659 S 2/2019 Cometti
 2018/0303288 A1 10/2018 Mazzer

OTHER PUBLICATIONS

weberworkshops.com, Feb. 28, 2021, <https://weberworkshops.com/products/hg-1?variant=29518352744501>; HG_1.
 meticulous.net, Feb. 28, 2021, <https://www.meticulist.net/blog/improving-espresso-wdt-what-is-it-and-why>; Improving.
 amazon.com, Feb. 28, 2021, https://www.amazon.com/Kingmil-2021-Needle-Espresso-Tampers/dp/B08RZ9SZGM/ref=sr_1_1?dchild=1&keywords=Kingmil&qid=1614556018&sr=8-1; Kingmil.

* cited by examiner

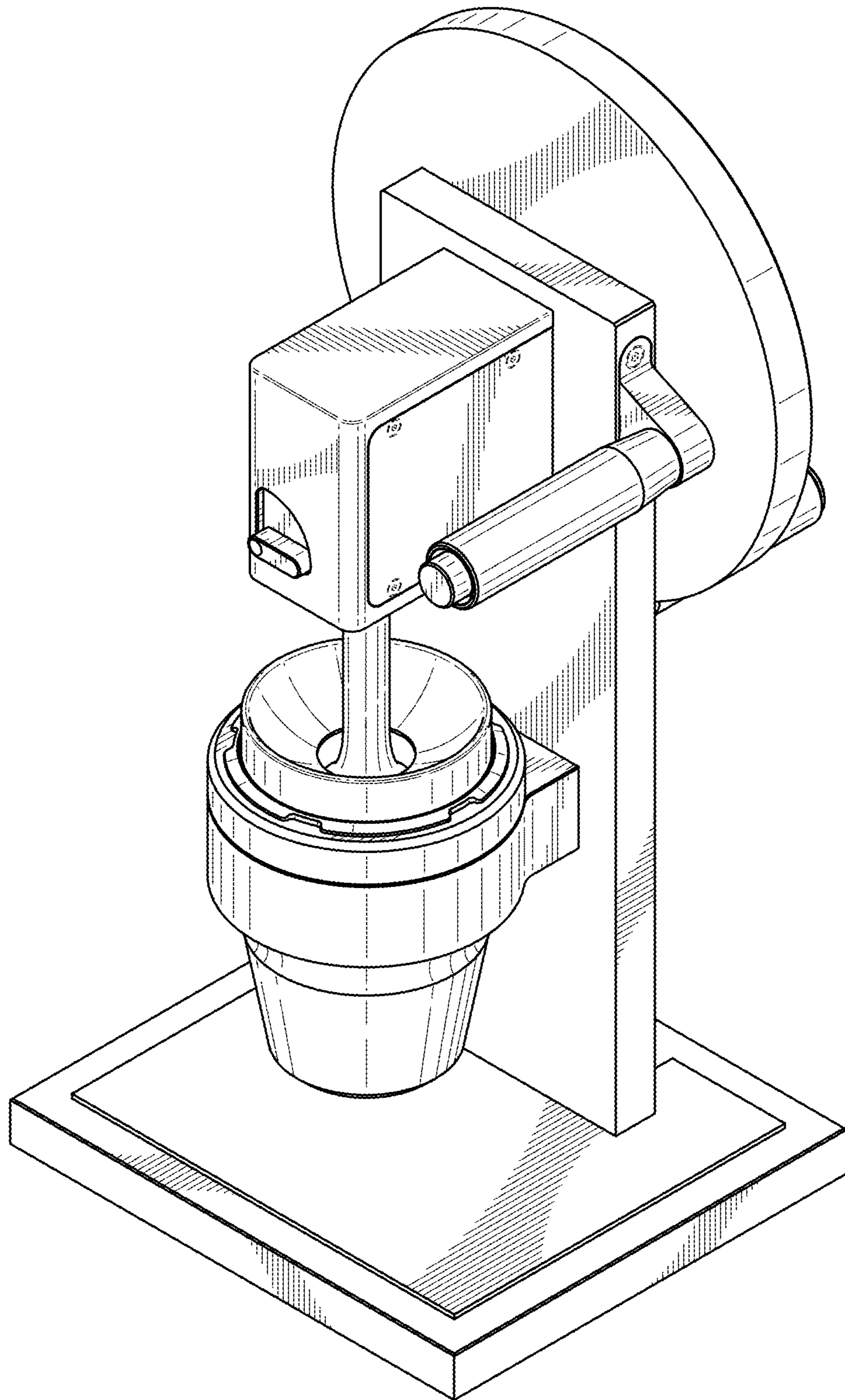


FIG. 1

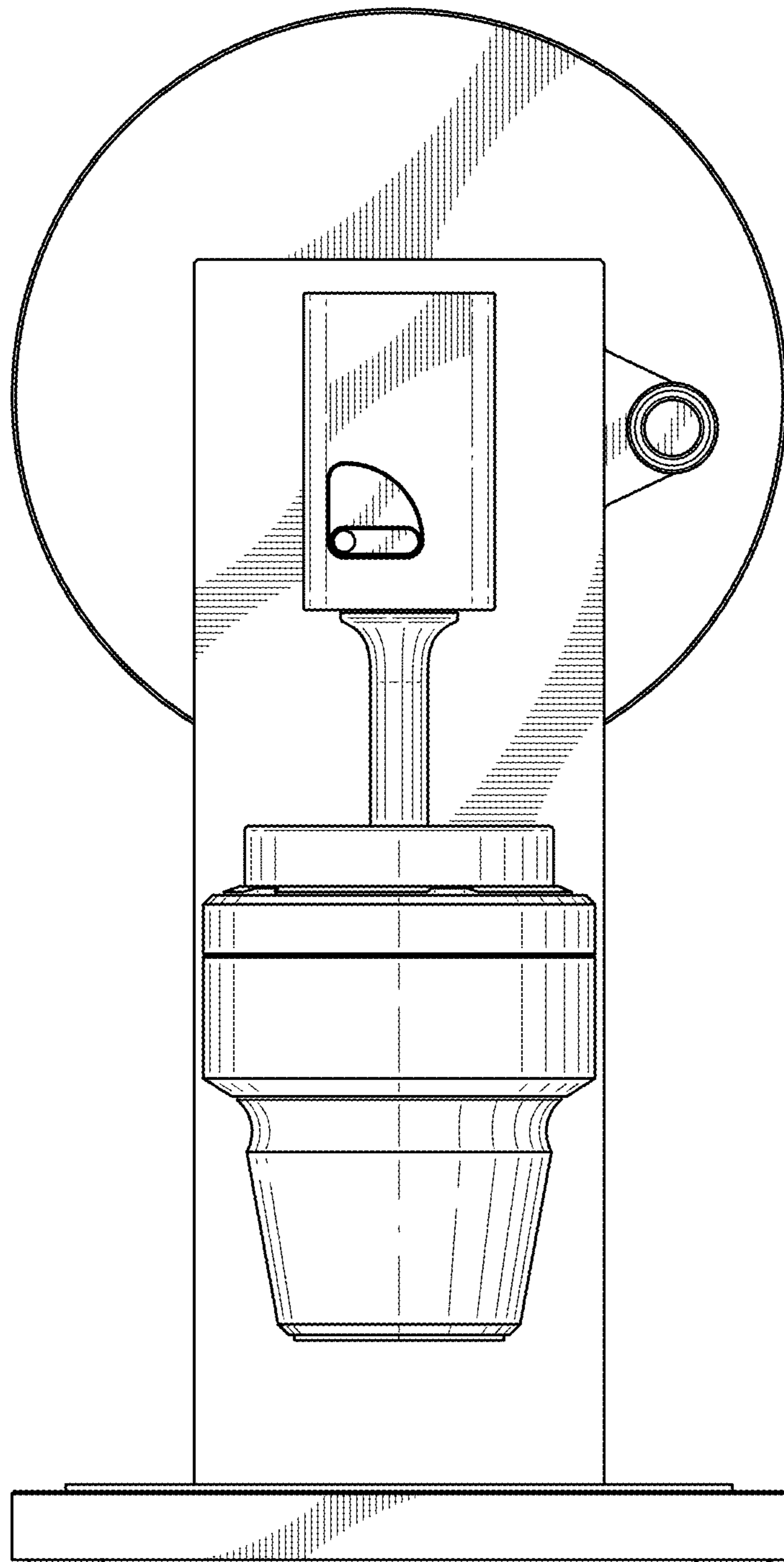


FIG. 2

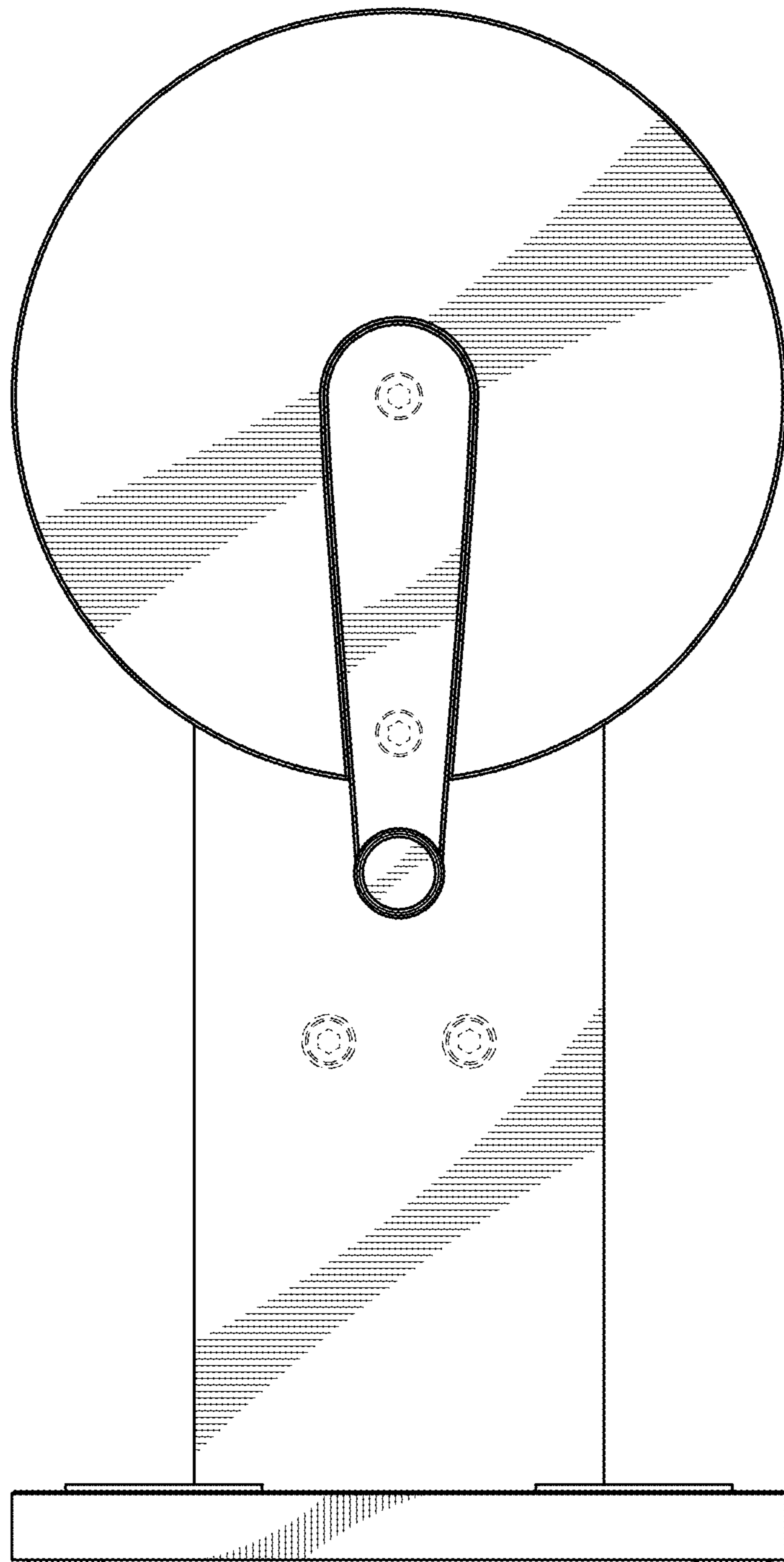


FIG. 3

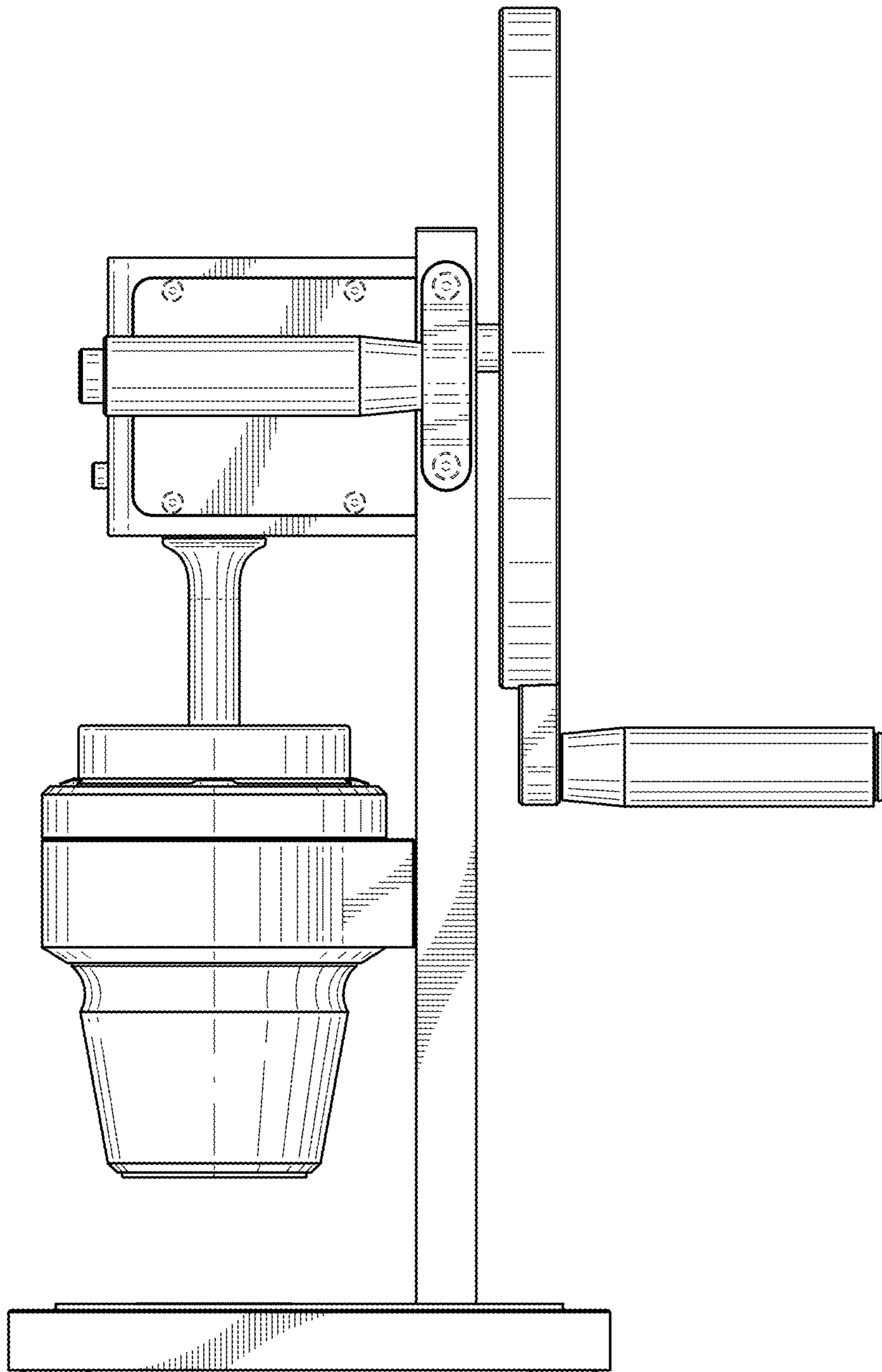


FIG. 4

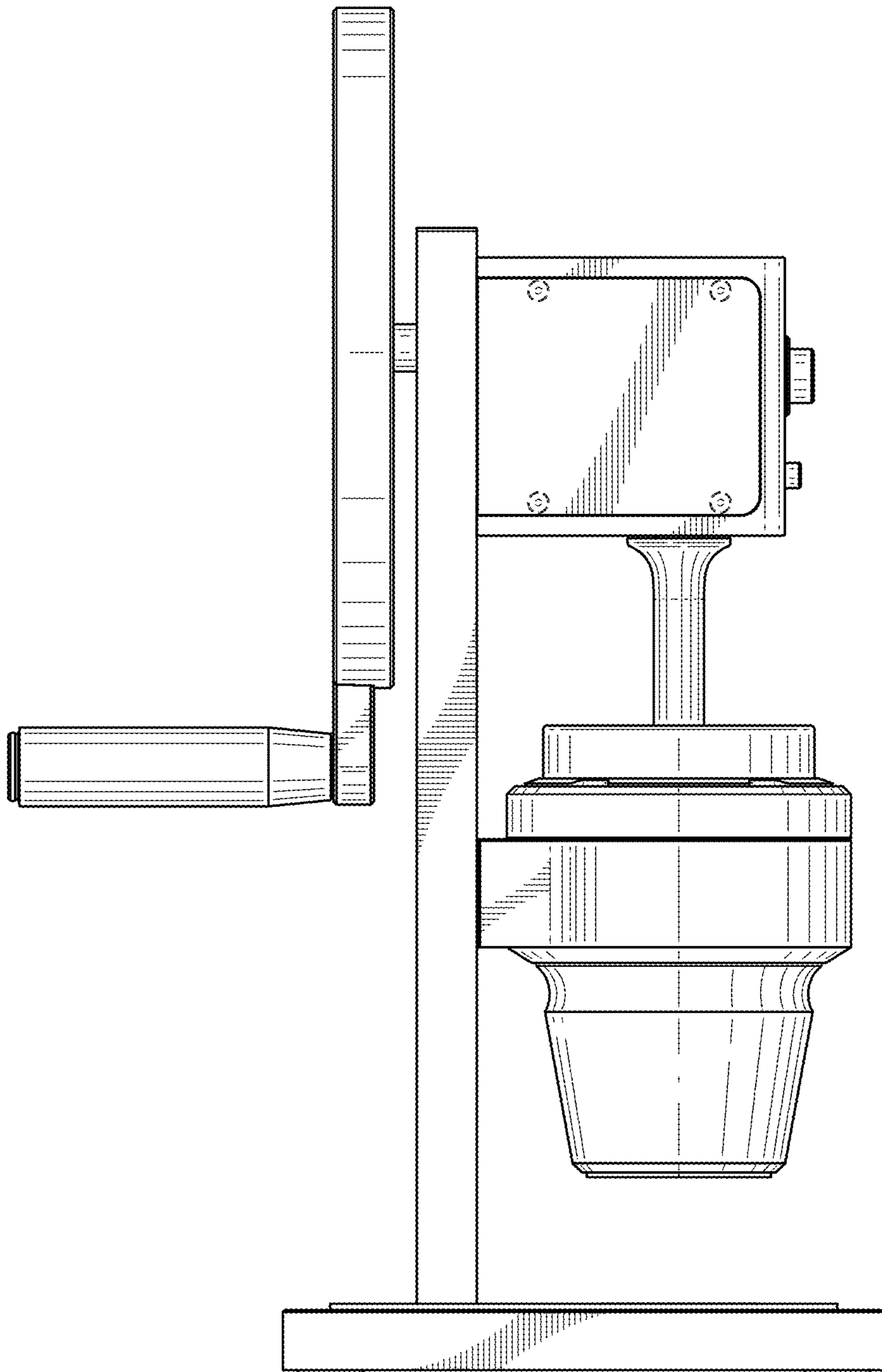


FIG. 5

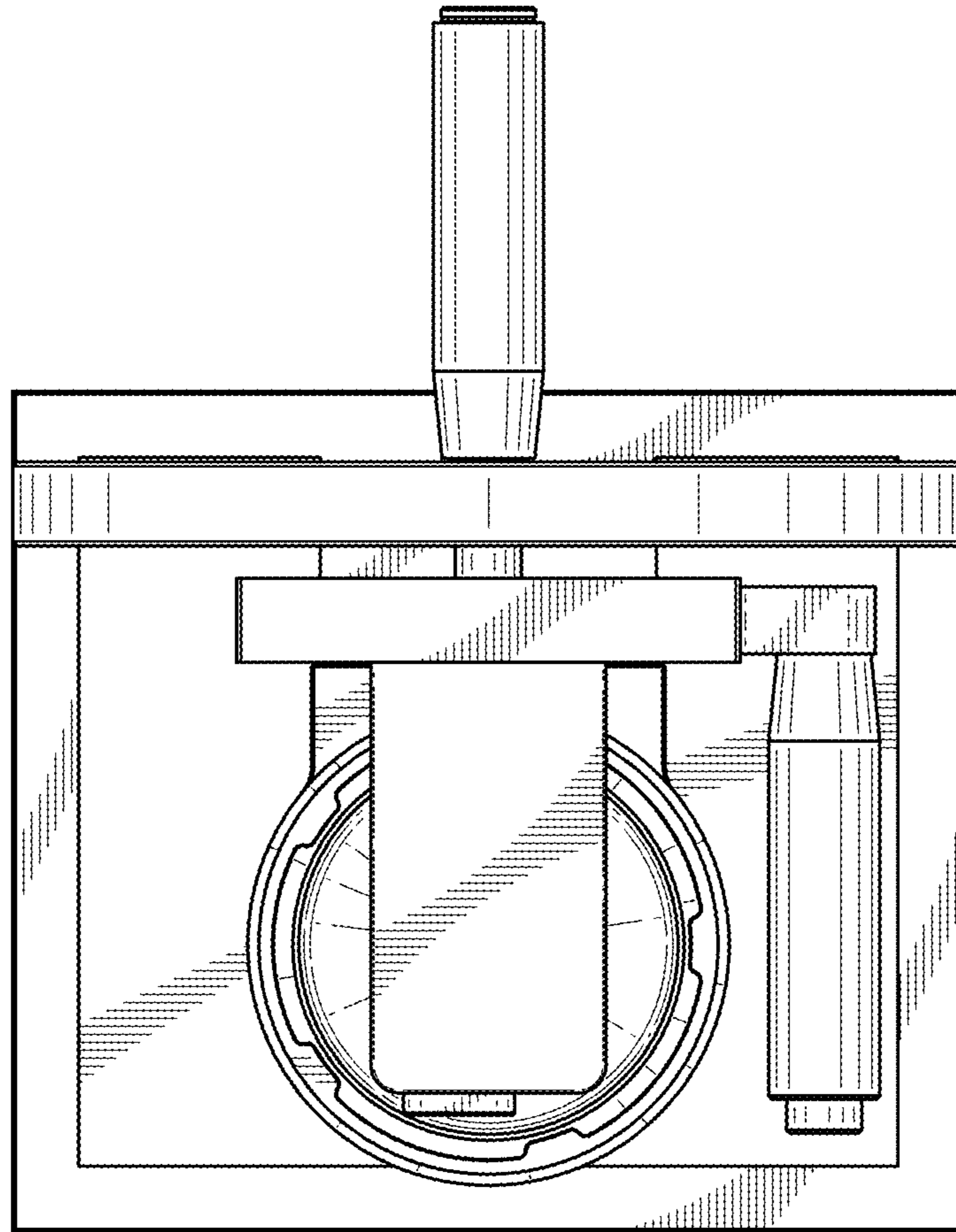


FIG. 6

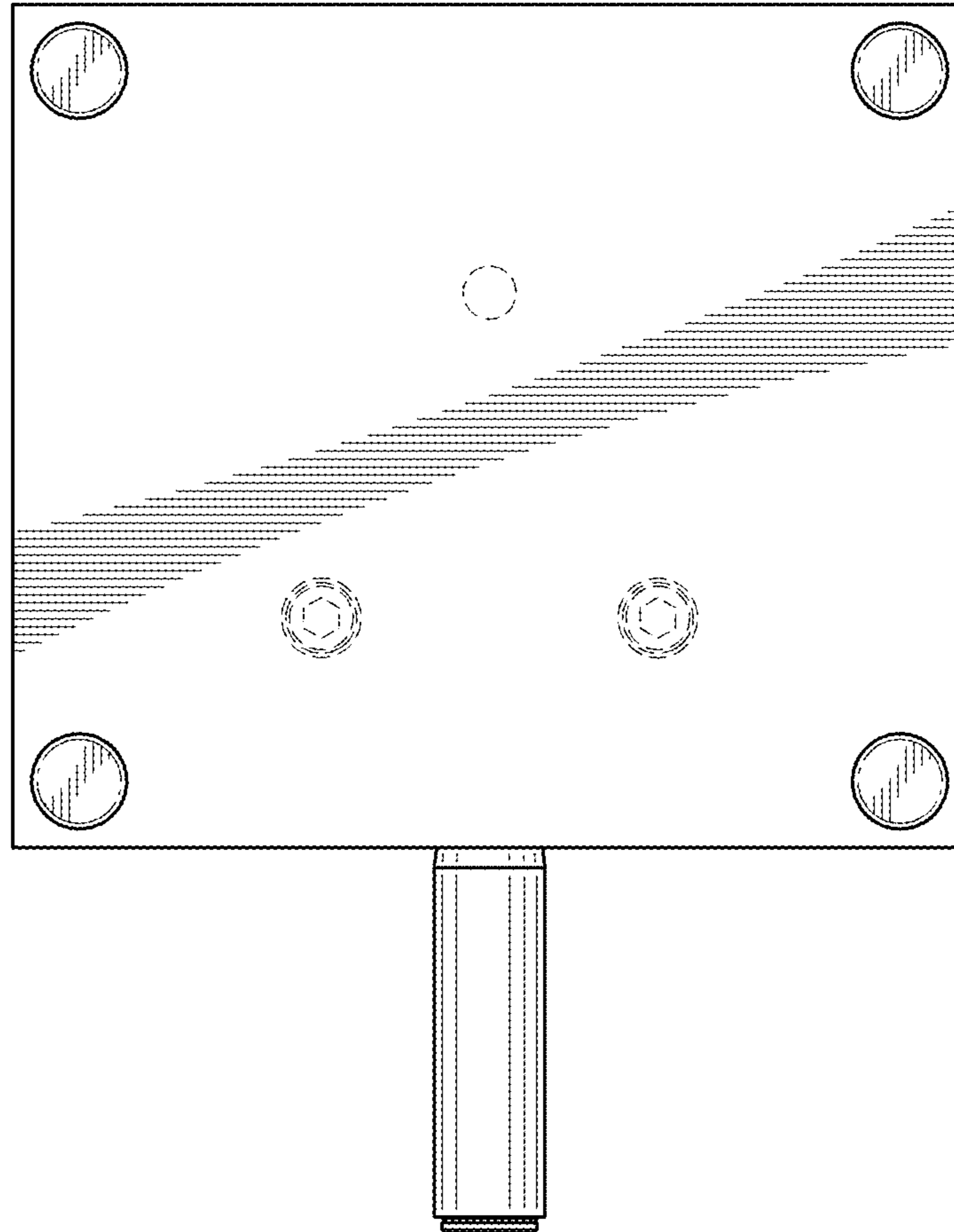


FIG. 7

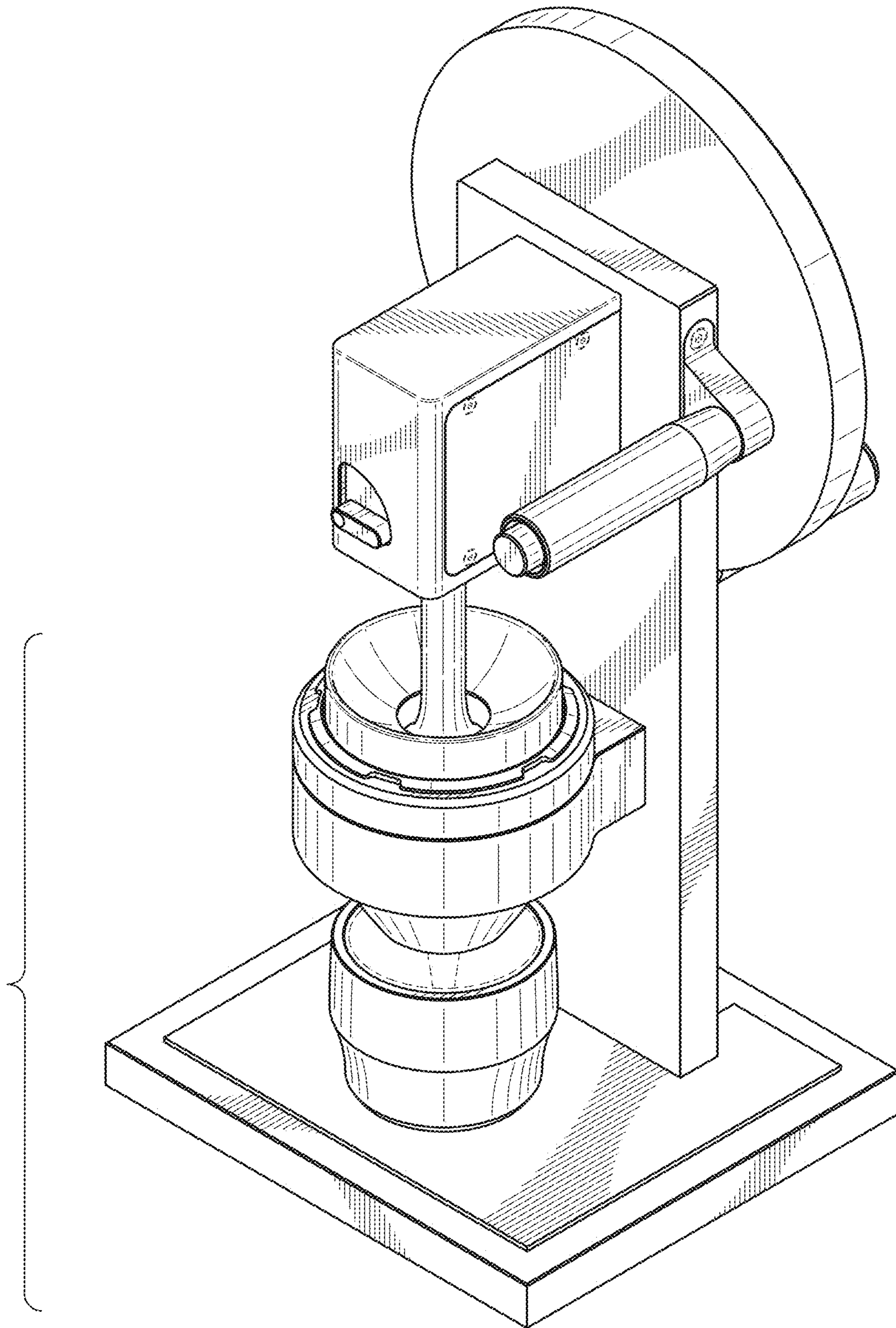


FIG. 8

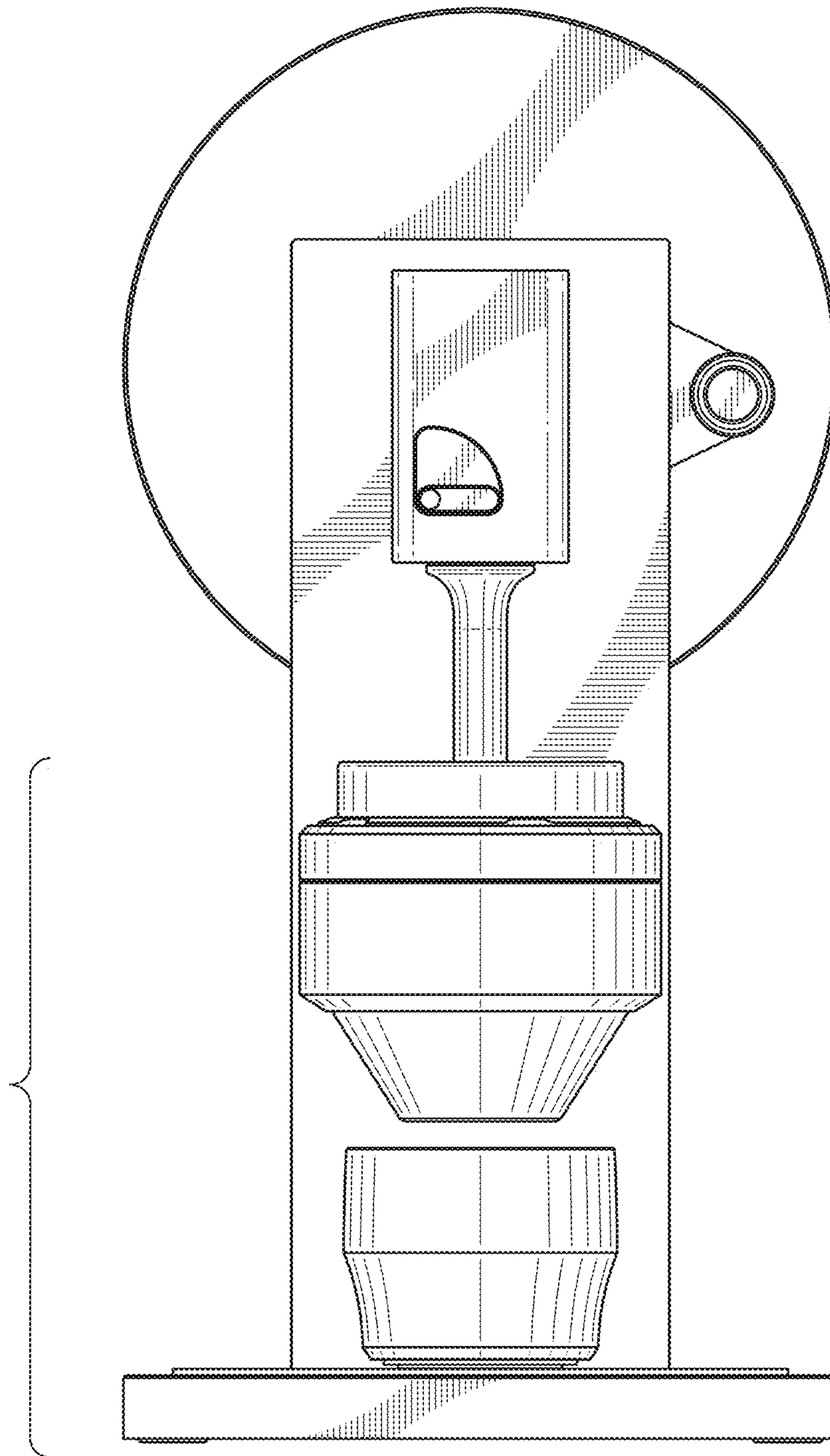


FIG. 9

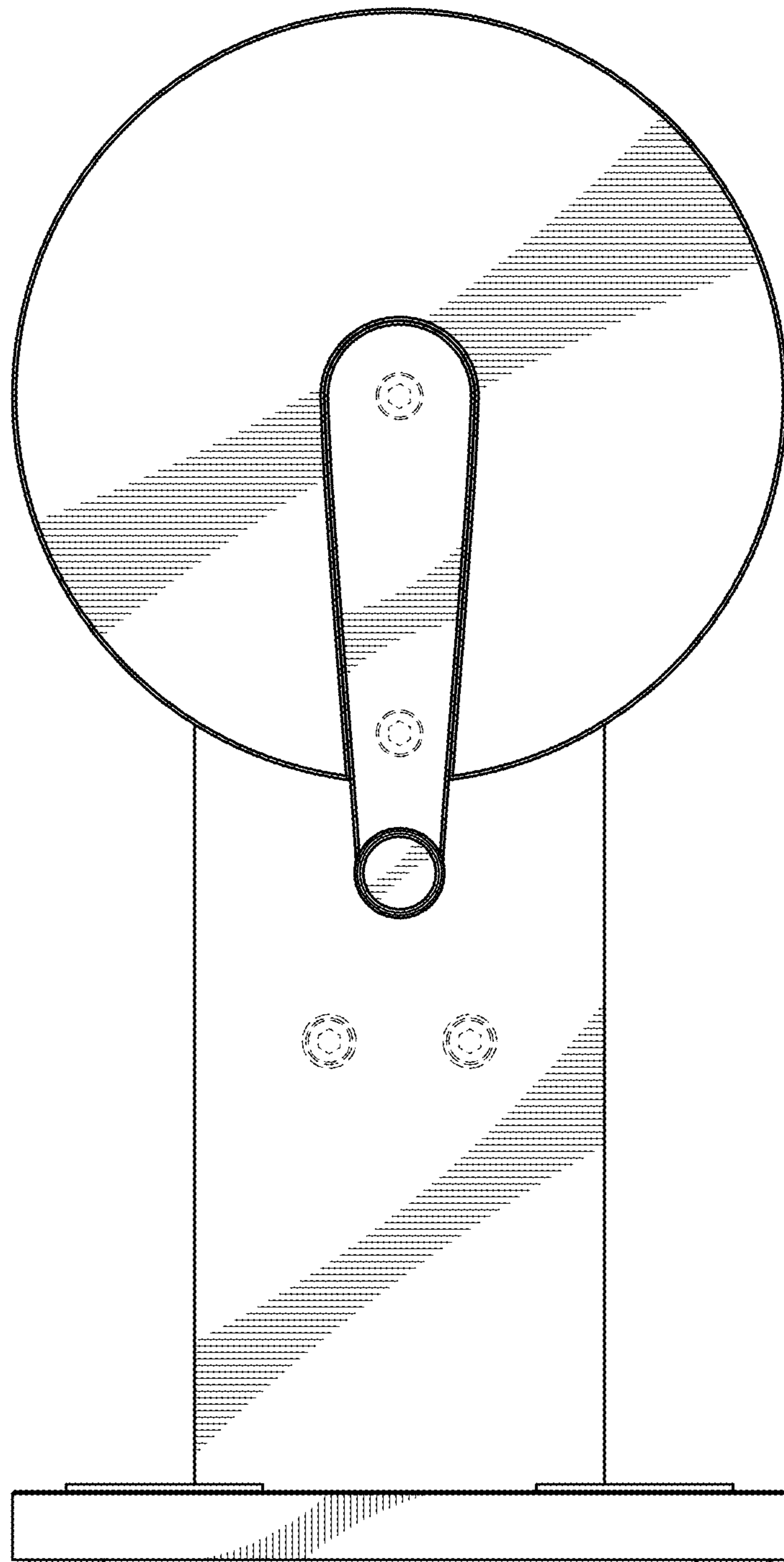


FIG. 10

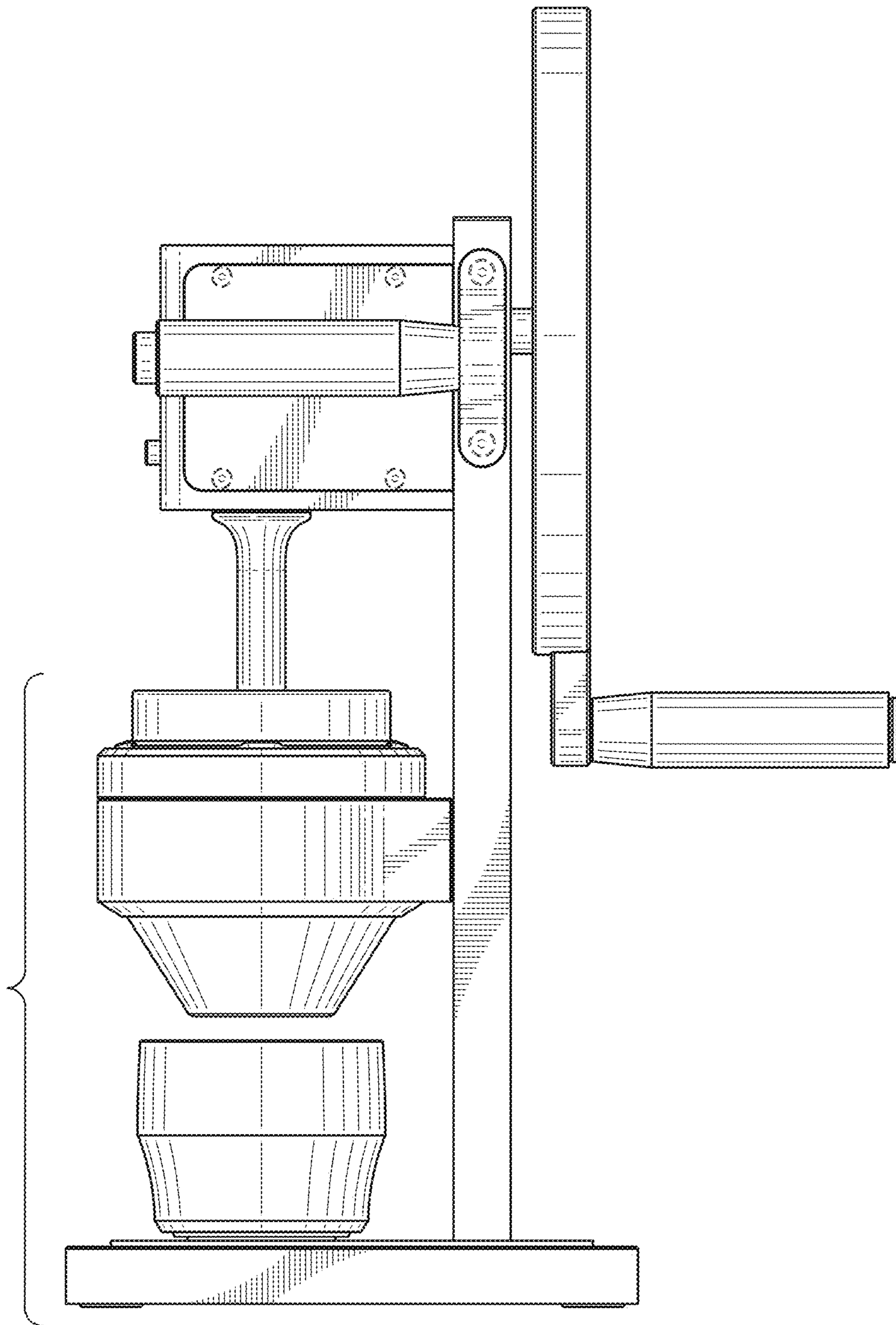


FIG. 11

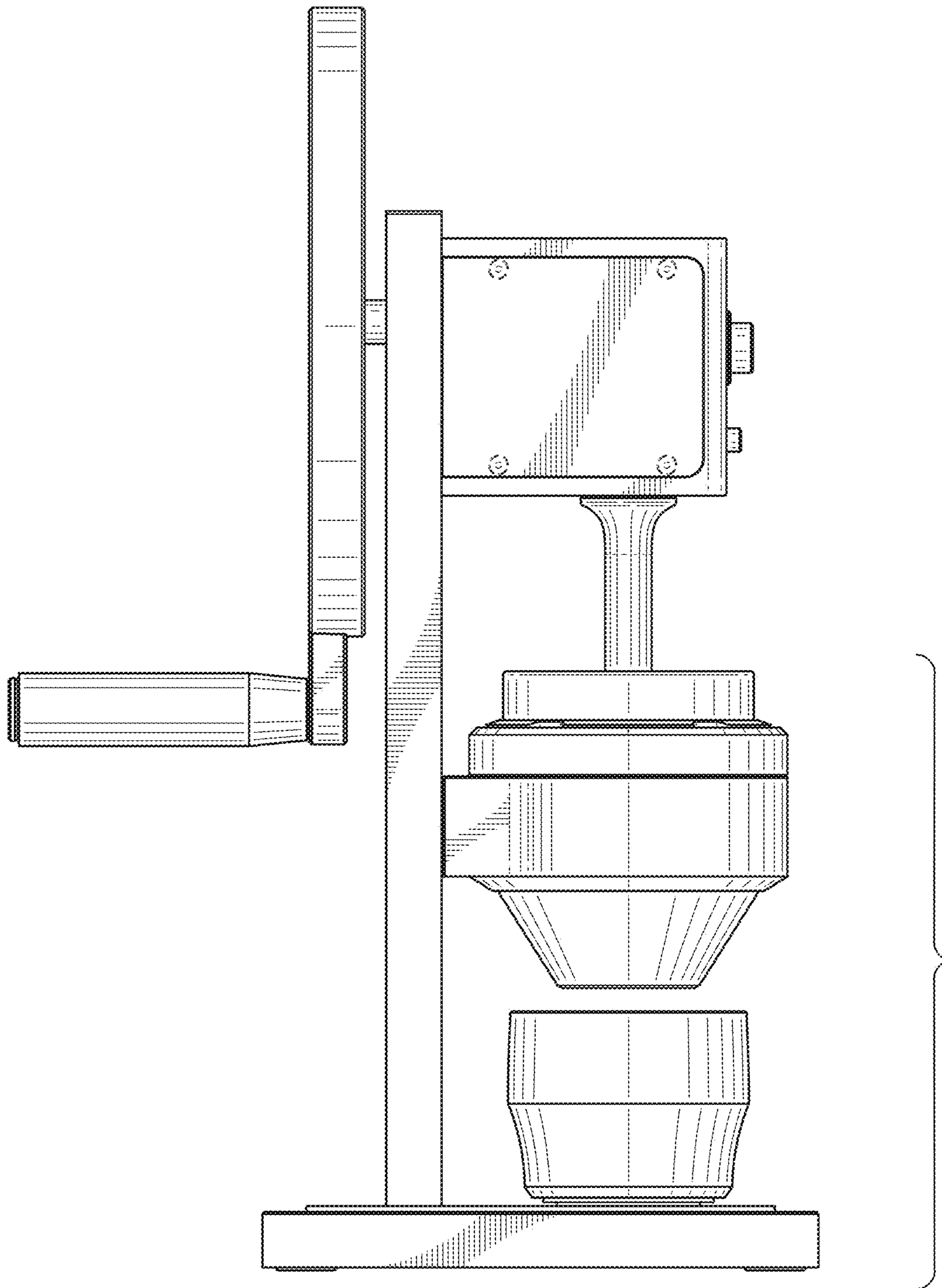


FIG. 12

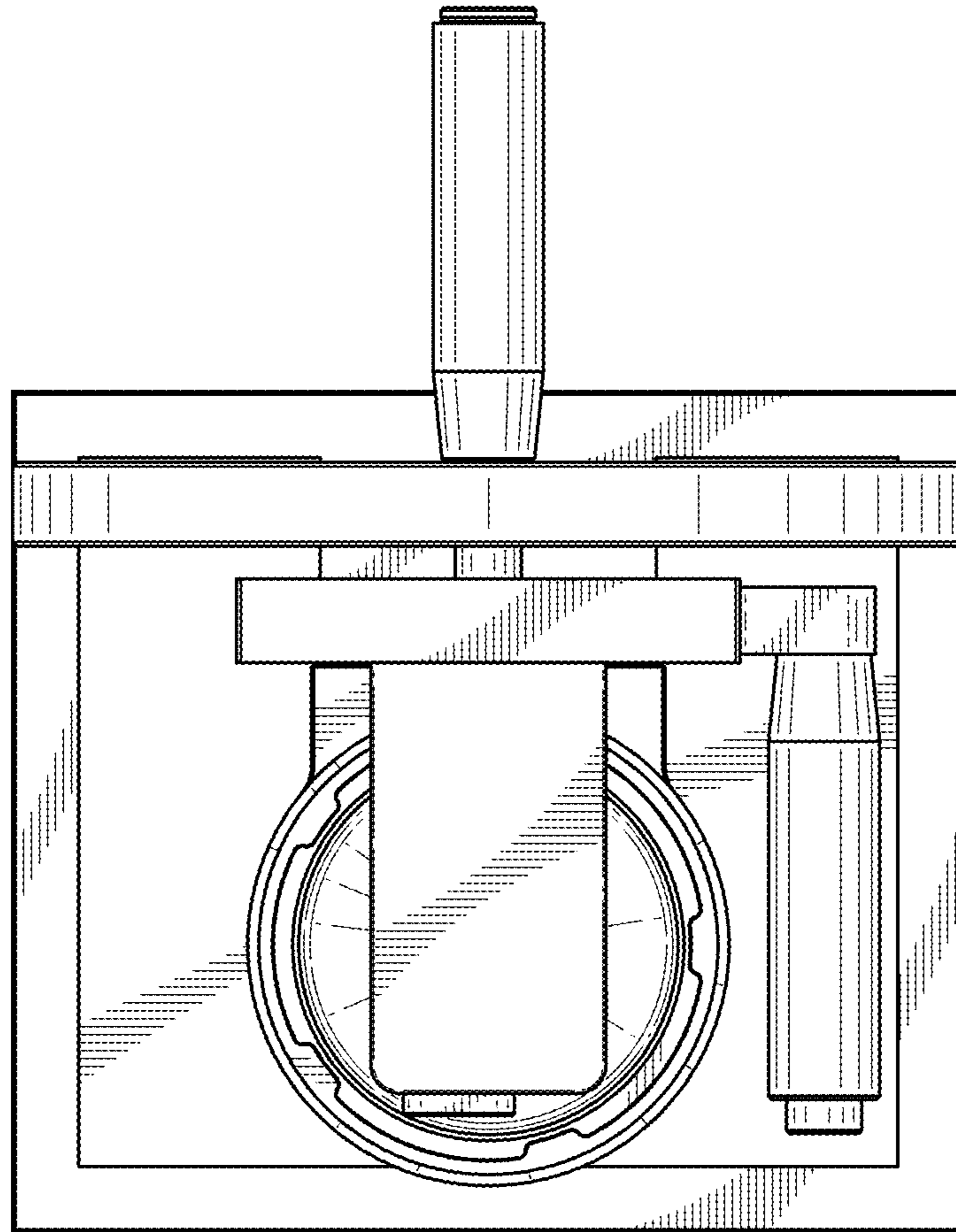


FIG. 13

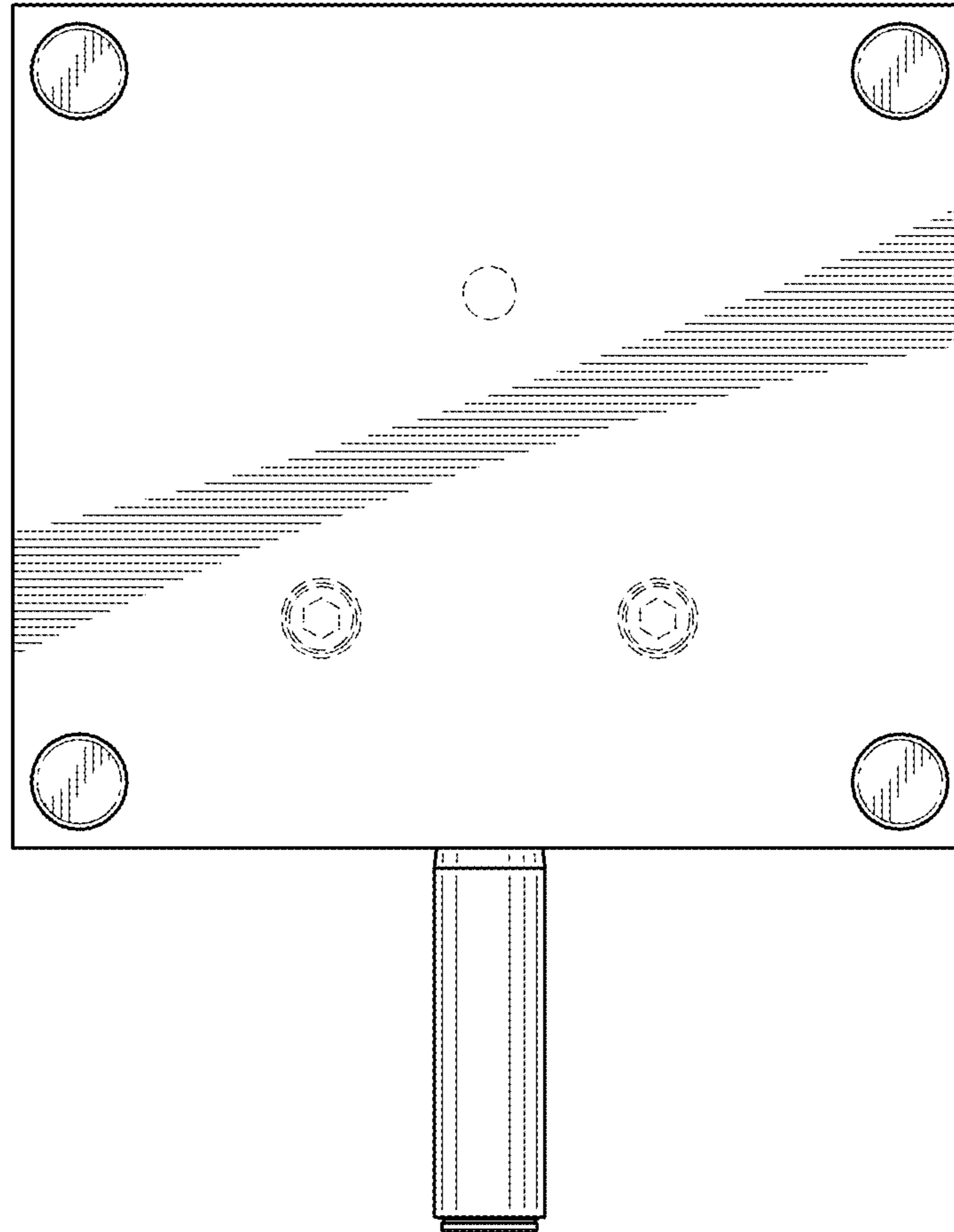


FIG. 14