



US00D935829S

(12) **United States Design Patent**  
**Zhang**

(10) **Patent No.:** **US D935,829 S**

(45) **Date of Patent:** **\*\* Nov. 16, 2021**

(54) **FRYING AND GRILLING APPLIANCE**

(71) Applicant: **MIDEA GROUP CO., LTD.**,  
Guangdong (CN)

(72) Inventor: **Mengmeng Zhang**, Guangdong (CN)

(73) Assignee: **MIDEA GROUP CO., LTD.**, Foshan  
(CN)

(\*\*) Term: **15 Years**

(21) Appl. No.: **35/509,696**

(22) Filed: **May 9, 2020**

(80) **Hague Agreement Data**

Int. Filing Date: **May 9, 2020**

Int. Reg. No.: **DM/208777**

Int. Reg. Date: **May 9, 2020**

Int. Reg. Pub. Date: **Jun. 26, 2020**

(30) **Foreign Application Priority Data**

Dec. 31, 2019 (CN) ..... 201930748166.5

(51) **LOC (13) Cl.** ..... **07-02**

(52) **U.S. Cl.**  
USPC ..... **D7/337**

(58) **Field of Classification Search**

USPC ..... D7/300, 301, 306, 309, 311, 312, 313,  
D7/323, 332, 337, 339, 346, 347, 348,  
D7/352, 362, 363, 365, 367, 368, 376,  
D7/377, 378, 379, 381, 383, 399, 407,  
D7/409, 510, 523, 543, 532, 538, 665

CPC .. A47J 31/44; A47J 31/52; A47J 43/04; A47J  
43/044

See application file for complete search history.

(56) **References Cited**

U.S. PATENT DOCUMENTS

1,204,429 A \* 11/1916 Griswold ..... A47J 37/10  
99/425

D196,951 S \* 11/1963 Wright ..... D7/363

D281,215 S \* 11/1985 Lastuck ..... D7/363  
D366,390 S \* 1/1996 Vitantonio ..... D7/363  
D375,868 S \* 11/1996 Larson ..... D7/361  
D394,584 S \* 5/1998 Weber ..... D7/363  
D436,794 S \* 1/2001 McClean ..... D7/352  
D469,298 S \* 1/2003 Hinton ..... D7/332  
D524,102 S \* 7/2006 Cecon ..... D7/332  
D528,350 S \* 9/2006 McHutchison ..... D7/352  
D533,016 S \* 12/2006 Genslak ..... D7/363  
D539,074 S \* 3/2007 Lubowicki ..... D7/352  
D575,098 S \* 8/2008 Seymour ..... D7/363  
D632,127 S \* 2/2011 Whitcombe ..... D7/352  
D643,243 S \* 8/2011 Harrod ..... D7/352  
D644,867 S \* 9/2011 Janvier ..... D7/363  
D709,727 S \* 7/2014 Cloutier ..... D7/363  
D746,097 S \* 12/2015 Davenport ..... D7/352

(Continued)

FOREIGN PATENT DOCUMENTS

WO D208777-001 \* 6/2020

*Primary Examiner* — Karen S Acker

(74) *Attorney, Agent, or Firm* — Morgan, Lewis &  
Bockius LLP

(57) **CLAIM**

The ornamental design for a frying and grilling appliance, as  
shown and described.

**DESCRIPTION**

1. Frying and grilling appliance

1.1 : Front

1.2 : Back

1.3 : Left

1.4 : Right

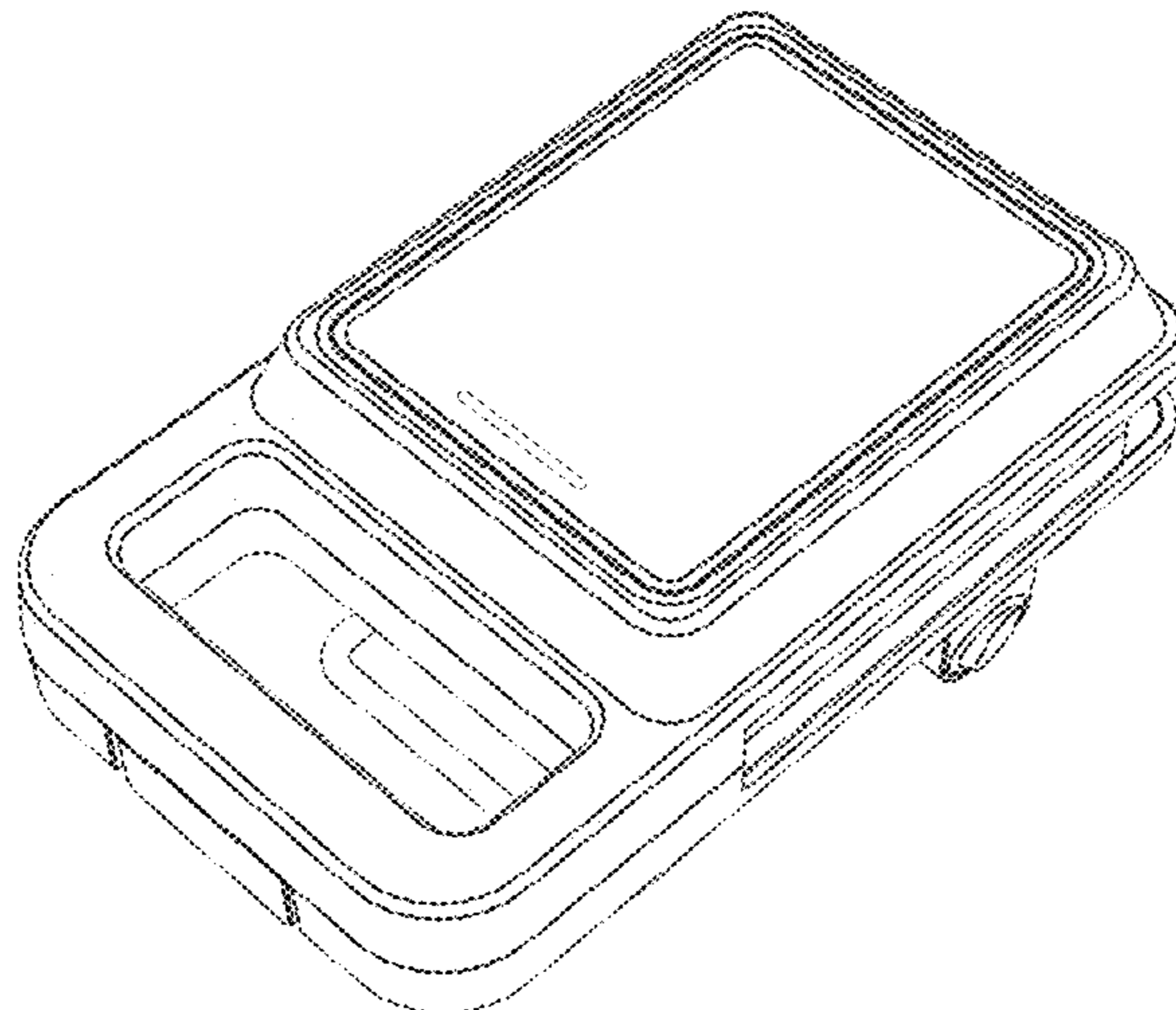
1.5 : Top

1.6 : Bottom

1.7 : Perspective

The broken lines and areas within them depict portions of  
the frying and grilling appliance that form no part of the  
claimed design.

**1 Claim, 7 Drawing Sheets**



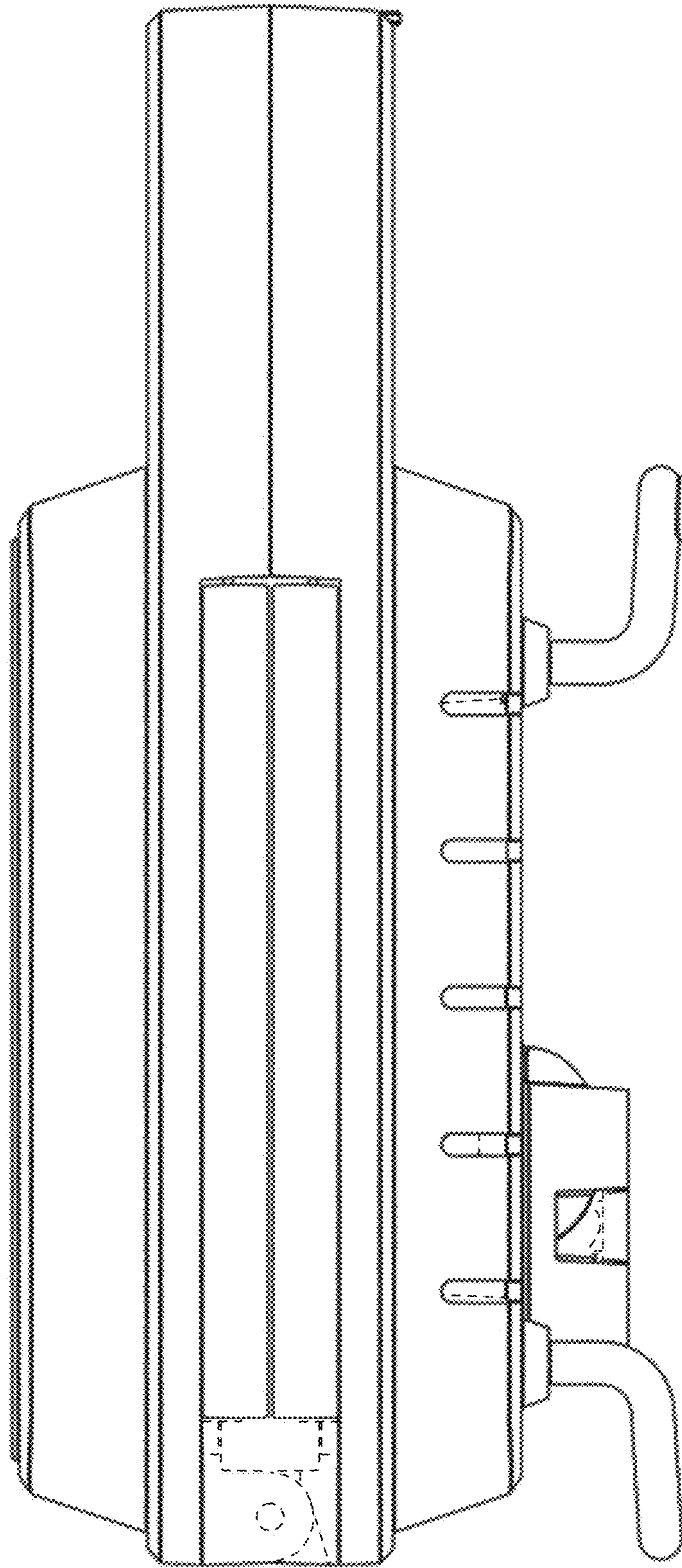
(56)

**References Cited**

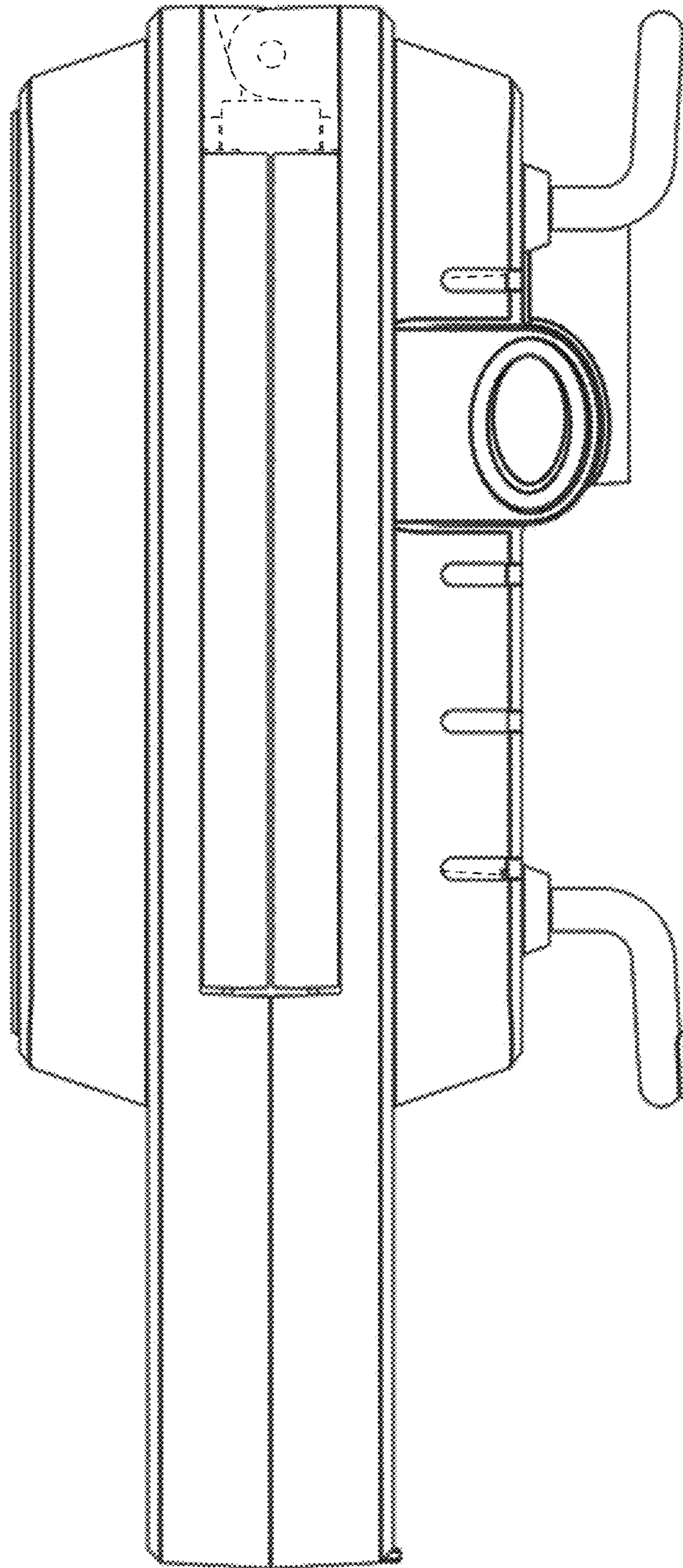
U.S. PATENT DOCUMENTS

D790,131 S \* 6/2017 Shteyzel ..... D28/9  
D799,886 S \* 10/2017 Davenport ..... D7/352  
D865,436 S \* 11/2019 Xiong ..... A47J 37/10  
D7/367  
D873,065 S \* 1/2020 Sađirosmanođlu ..... A21B 3/15  
D7/352  
D880,932 S \* 4/2020 Tan ..... D7/364  
10,634,362 B2 \* 4/2020 Trice ..... A21B 3/15  
D920,026 S \* 5/2021 Kim ..... D7/346

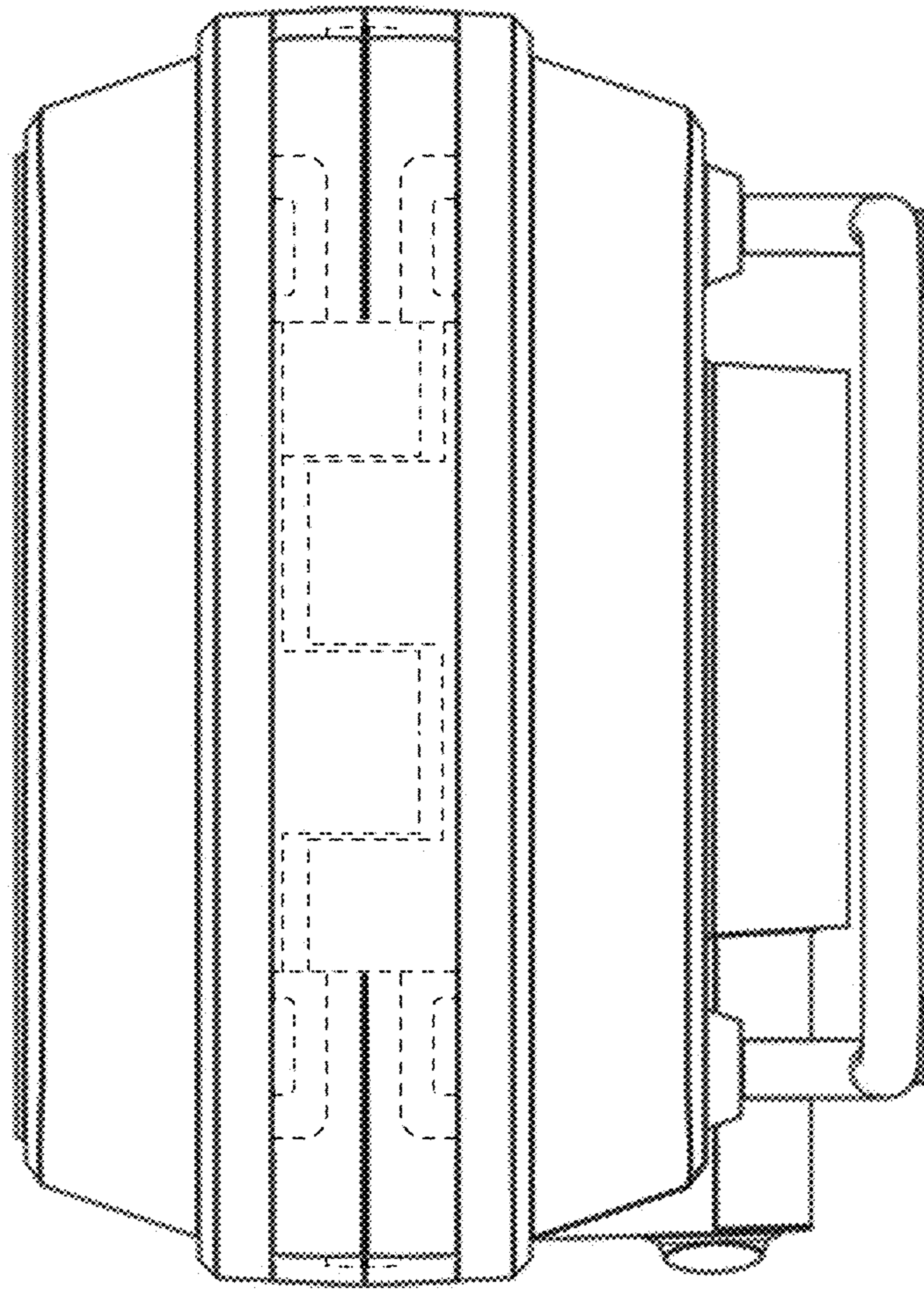
\* cited by examiner



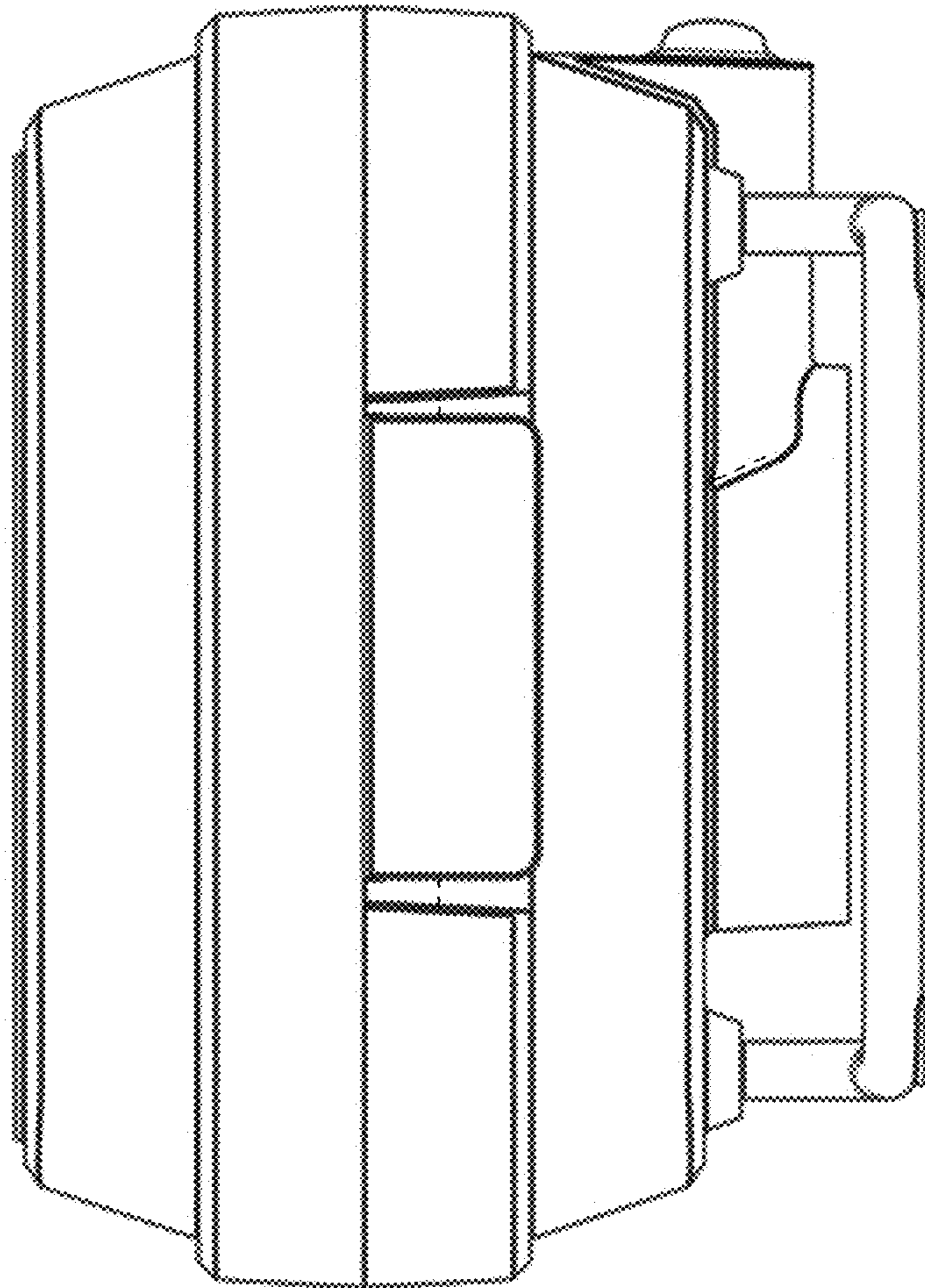
1.1



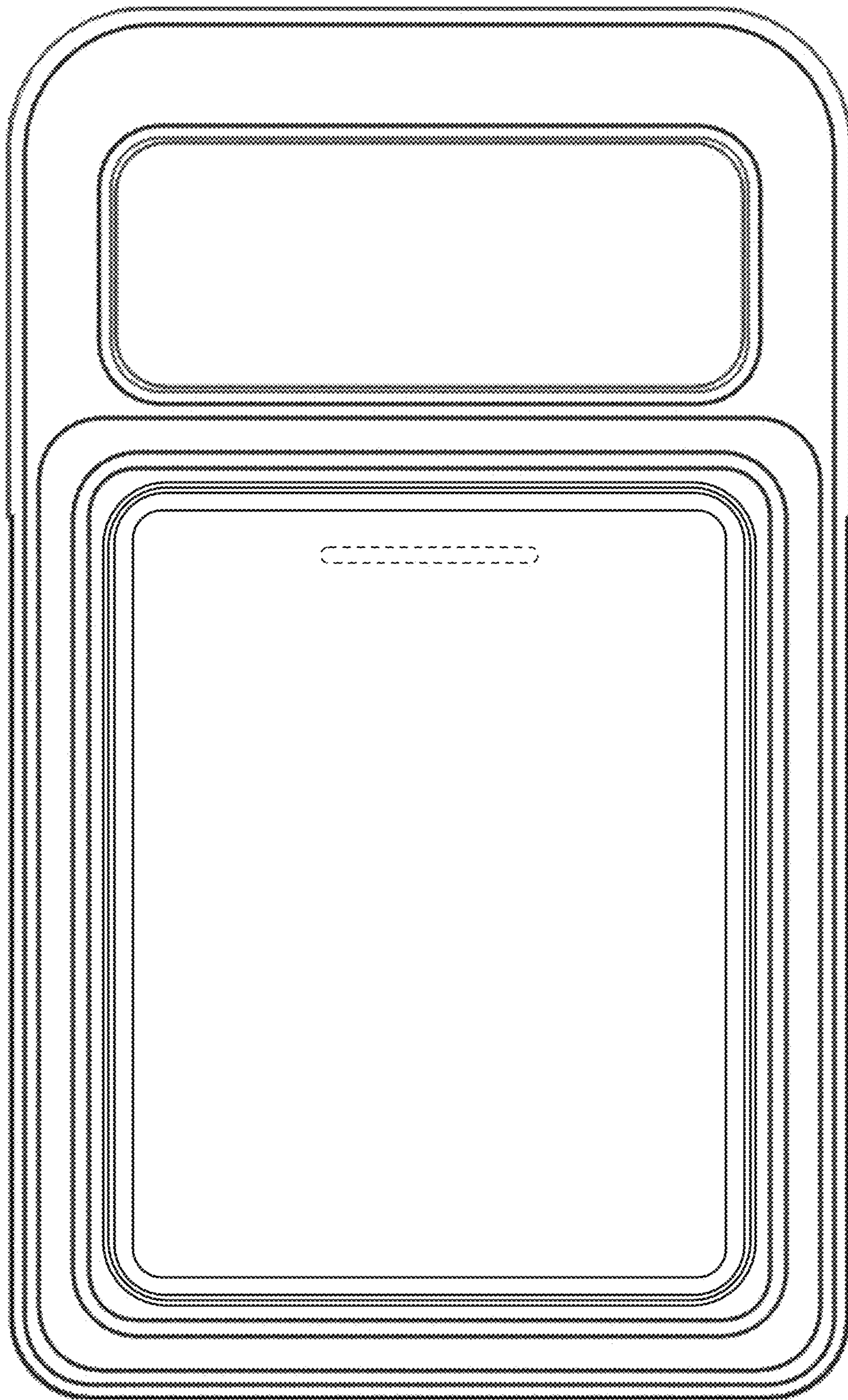
1.2



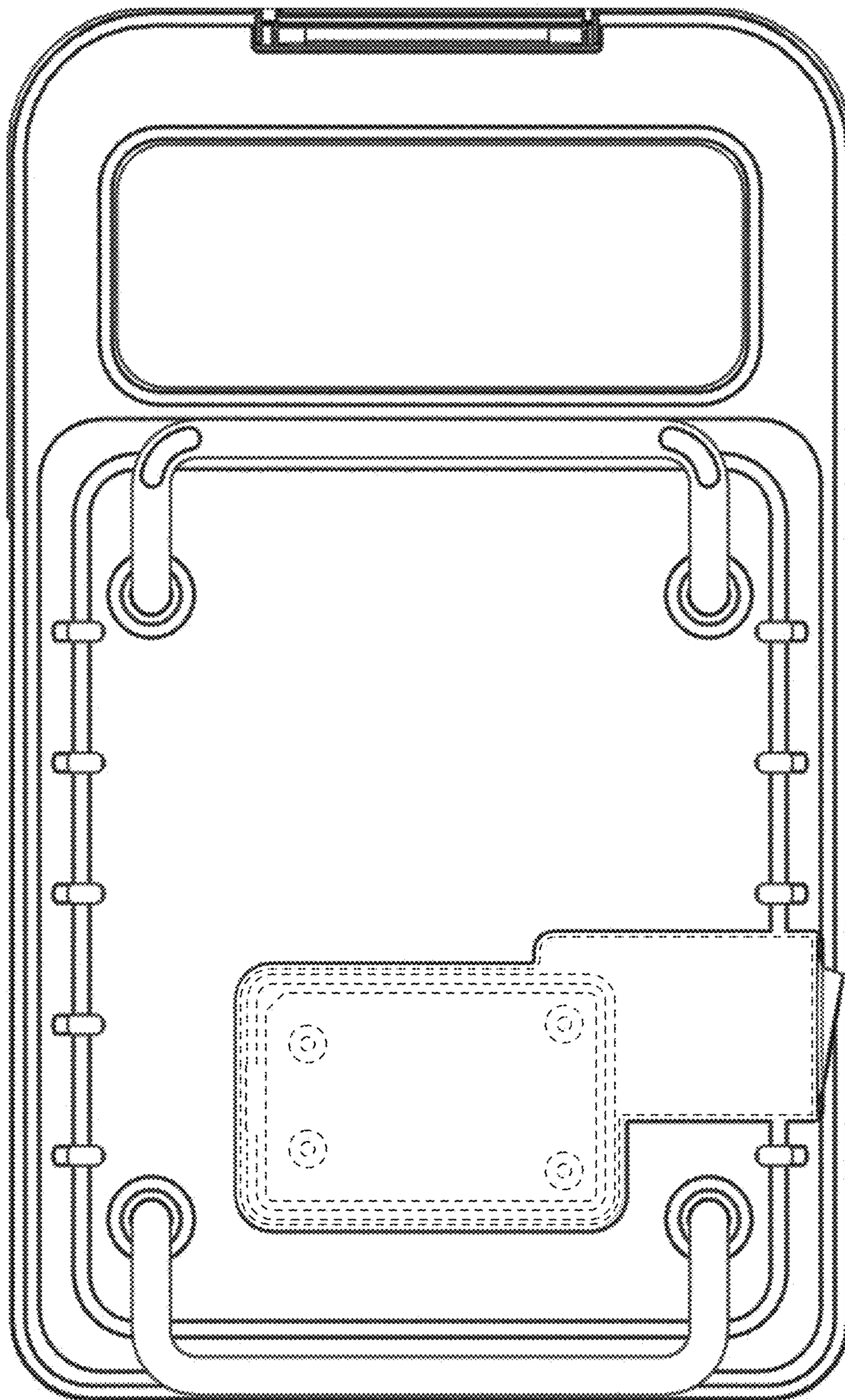
1.3



1.4

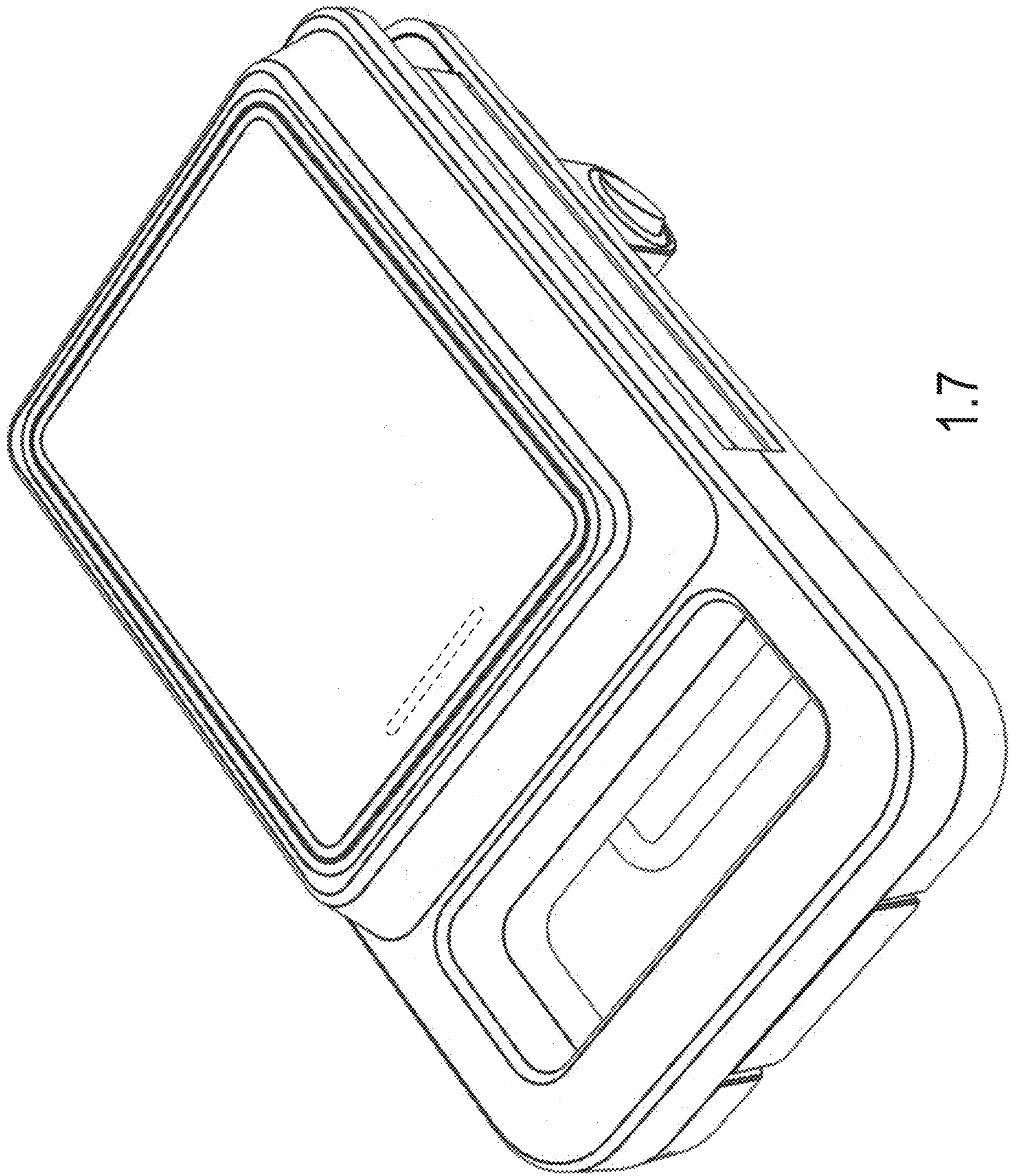


1.5



1.6





1.7