



US00D935828S

(12) **United States Design Patent** (10) **Patent No.:** **US D935,828 S**  
**Sanderson et al.** (45) **Date of Patent:** **\*\* Nov. 16, 2021**

(54) **DRINK MACHINE**  
(71) Applicant: **LAVAZZA PROFESSIONAL NORTH AMERICA, LLC**, West Chester, PA (US)  
(72) Inventors: **Ryan Sanderson**, Atlanta, GA (US); **Chunshik Kim**, San Jose, CA (US); **John White**, Roswell, GA (US); **Jonathan Dalton**, Marietta, GA (US)  
(73) Assignee: **Lavazza Professional North America, LLC**, West Chester, PA (US)

D648,973 S \* 11/2011 De' Longhi ..... D7/309  
D658,423 S \* 5/2012 Curtis ..... D7/309  
D665,218 S \* 8/2012 Iseli ..... D7/309  
D674,239 S 1/2013 Wilder et al.  
D674,240 S 1/2013 Wilder et al.  
D677,510 S 3/2013 Tetreault  
D681,387 S 5/2013 Pininfarina

(Continued)

**FOREIGN PATENT DOCUMENTS**

EM 000512405-0001 5/2006  
EM 001247829-0001 1/2011

**OTHER PUBLICATIONS**

Flavia Creation 500, "Taking Office Coffee to the Next Level."  
<https://www.lavazzapro.com/machines/flavia-creation-500/>.

*Primary Examiner* — Susan E Krakower  
*Assistant Examiner* — Andrew Kerr  
(74) *Attorney, Agent, or Firm* — The Belies Group, PC

(\*\*) Term: **15 Years**  
(21) Appl. No.: **29/682,089**  
(22) Filed: **Mar. 1, 2019**  
(51) **LOC (13) Cl.** ..... **07-01**  
(52) **U.S. Cl.**  
USPC ..... **D7/306; D7/309; D7/311; D7/412**  
(58) **Field of Classification Search**  
USPC ..... D7/300, 309-311, 306-308, 305, 355, D7/362, 365, 367; 222/146.6, 185.1, 135; 99/295, 273, 304, 288, 279, 307, 283  
CPC ..... A47J 31/46; A47J 31/407; A47J 31/50; A47J 31/18; A47J 31/00; A47J 27/04; A47J 31/0573; A47J 31/52; A47J 31/0642; A47J 31/3628; A47J 31/4407  
See application file for complete search history.

(57) **CLAIM**

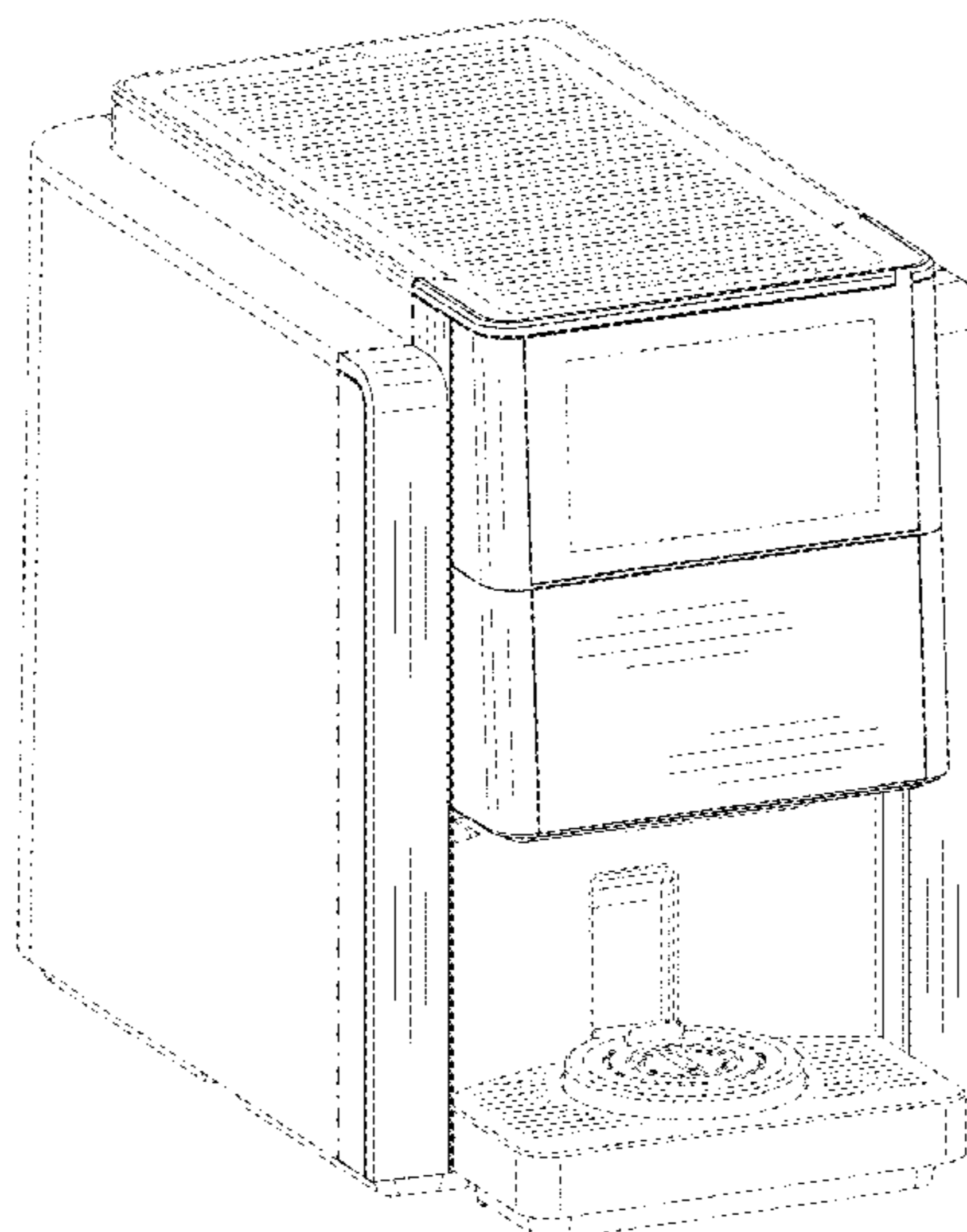
The ornamental design for a drink machine, as shown and described.

**DESCRIPTION**

FIG. 1 is a front perspective view of a drink machine according to the new design;  
FIG. 2 is a rear perspective view thereof;  
FIG. 3 is a front view thereof;  
FIG. 4 is a rear view thereof;  
FIG. 5 is a left side view thereof;  
FIG. 6 is a right side view thereof;  
FIG. 7 is a top view thereof; and,  
FIG. 8 is a bottom view thereof.  
The broken lines illustrating portions of the drink machine form no part of the claimed design. The dot-dash broken lines define the bounds of the claimed design and form no part thereof.

(56) **References Cited**  
**U.S. PATENT DOCUMENTS**  
D389,693 S 1/1998 Hawkins, Jr. et al.  
D431,748 S 10/2000 Cahen  
D486,346 S \* 2/2004 Jonsson ..... D7/309  
D515,348 S 2/2006 McWilliam  
D587,511 S \* 3/2009 Buttler ..... D7/309  
D594,688 S \* 6/2009 Hammad ..... D7/306  
D598,693 S \* 8/2009 Kindler ..... D7/306  
D601,848 S \* 10/2009 Borin ..... D7/307  
D637,859 S 5/2011 Orkney et al.

**1 Claim, 8 Drawing Sheets**



(56)

**References Cited**

U.S. PATENT DOCUMENTS

|            |           |                 |         |
|------------|-----------|-----------------|---------|
| D682,598 S | 5/2013    | Wu et al.       |         |
| D699,295 S | 2/2014    | Xie             |         |
| D717,911 S | * 11/2014 | Moon .....      | D23/207 |
| D723,318 S | * 3/2015  | Andreesen ..... | D7/309  |
| D737,091 S | * 8/2015  | Gebhardt .....  | D7/309  |
| D738,688 S | * 9/2015  | Thonis .....    | D7/548  |
| D740,600 S | 10/2015   | Damon           |         |
| D742,170 S | * 11/2015 | Kunz .....      | D7/399  |
| D785,395 S | 5/2017    | Damon           |         |
| D786,602 S | * 5/2017  | Palermo .....   | D7/306  |
| D821,132 S | * 6/2018  | Cometti .....   | D7/309  |
| D823,628 S | * 7/2018  | Steiner .....   | D7/309  |
| D891,846 S | * 8/2020  | Bignu .....     | D7/309  |
| D892,530 S | * 8/2020  | Bignu .....     | D7/309  |

\* cited by examiner

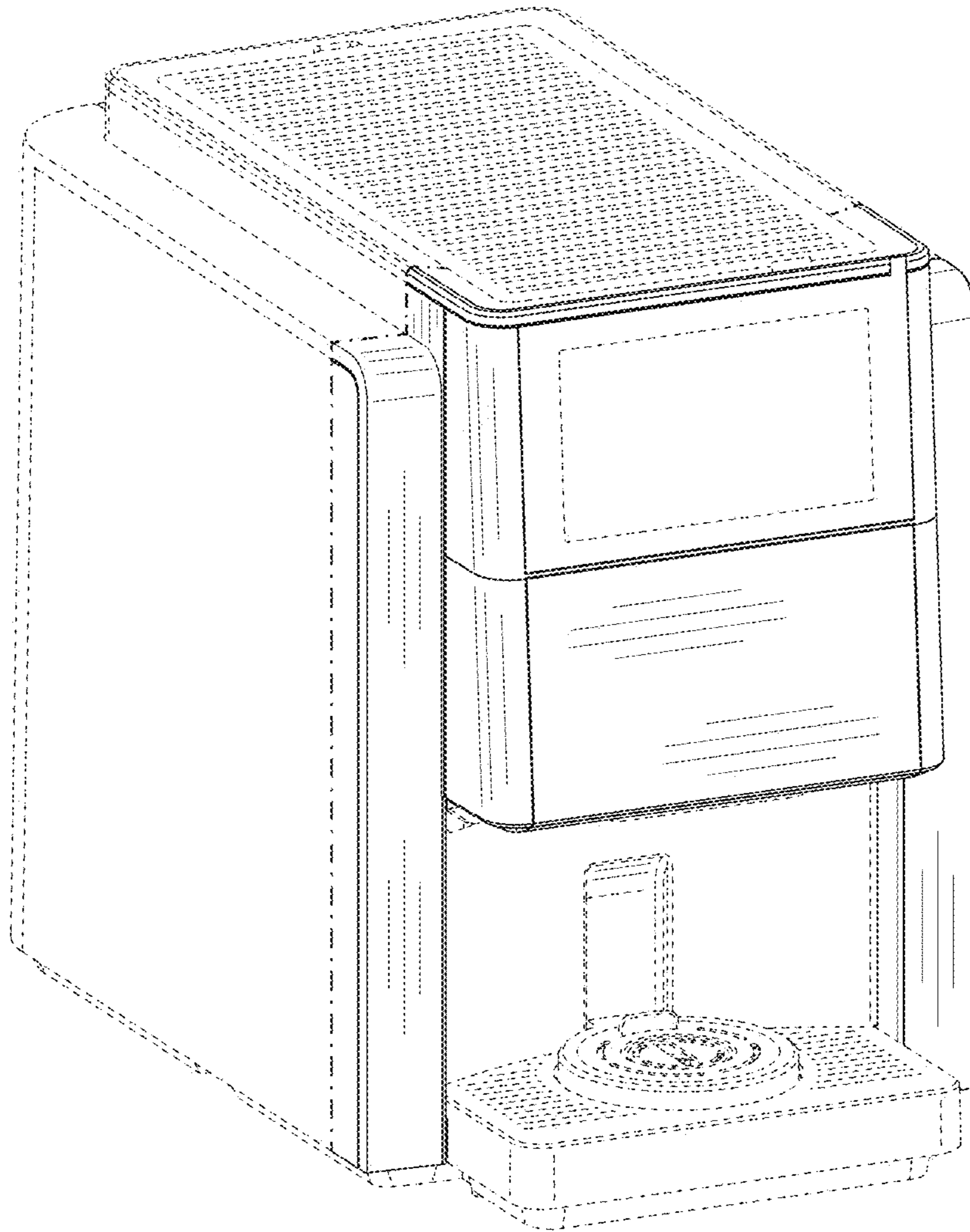


FIG. 1

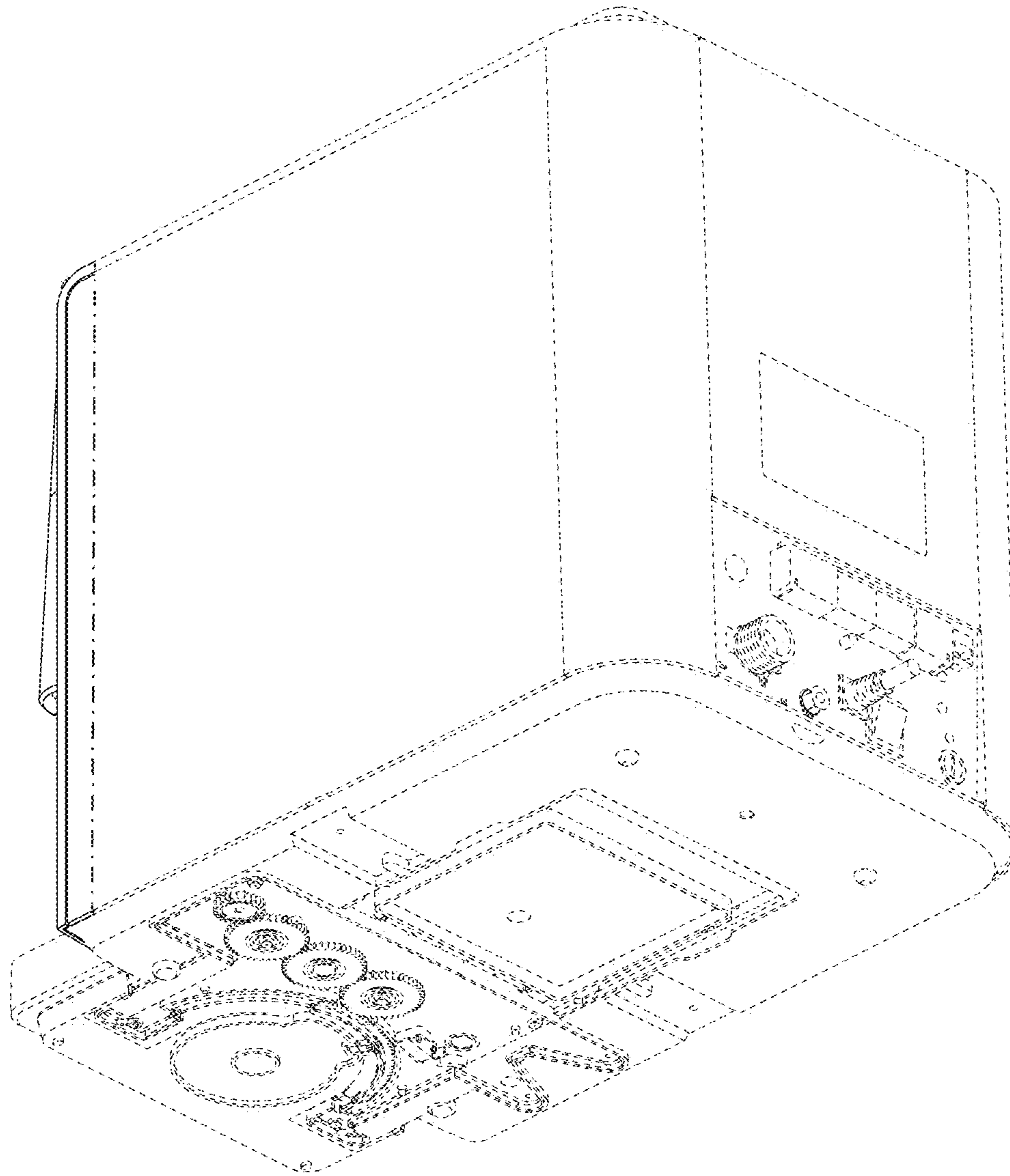


FIG. 2

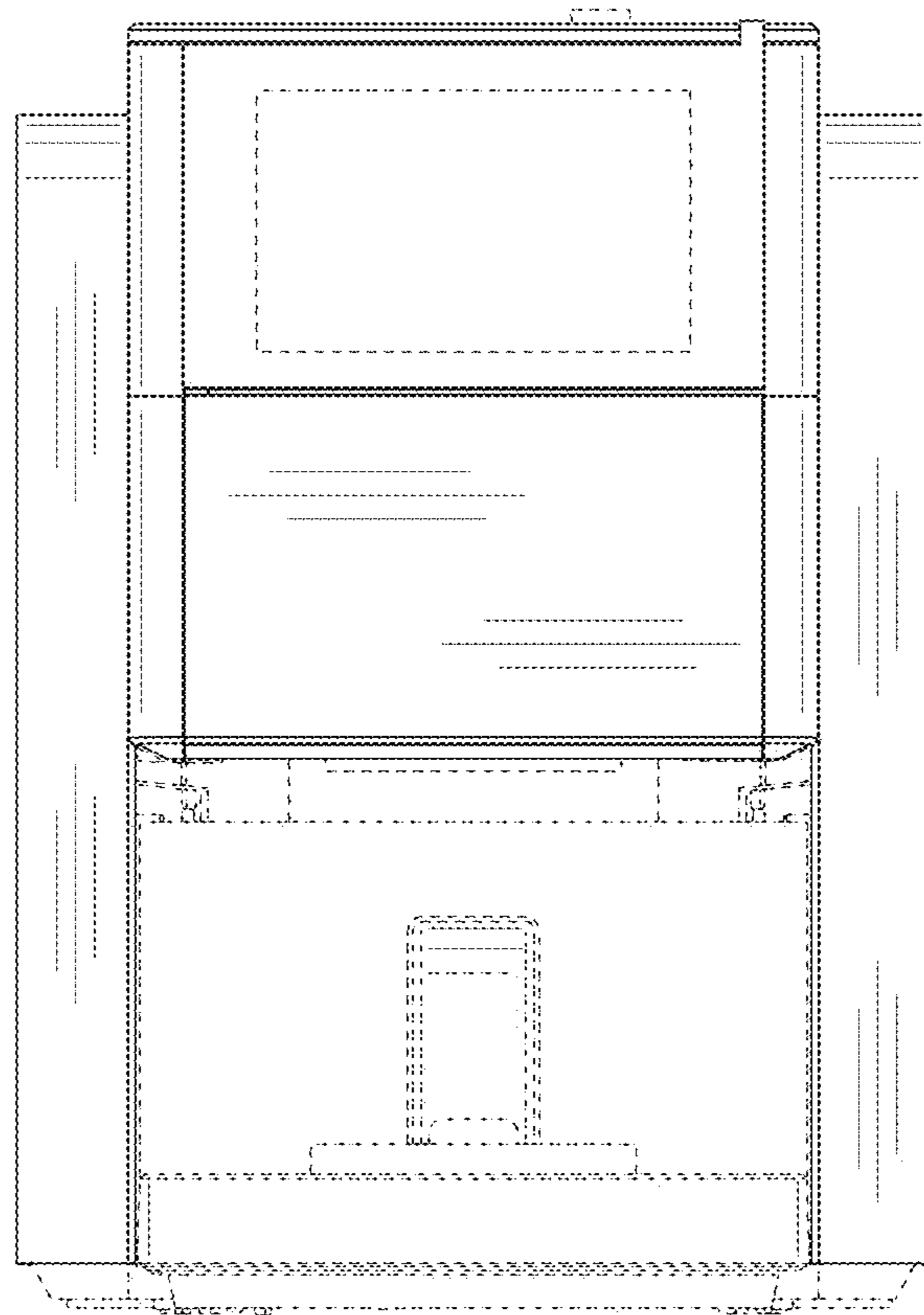


FIG. 3

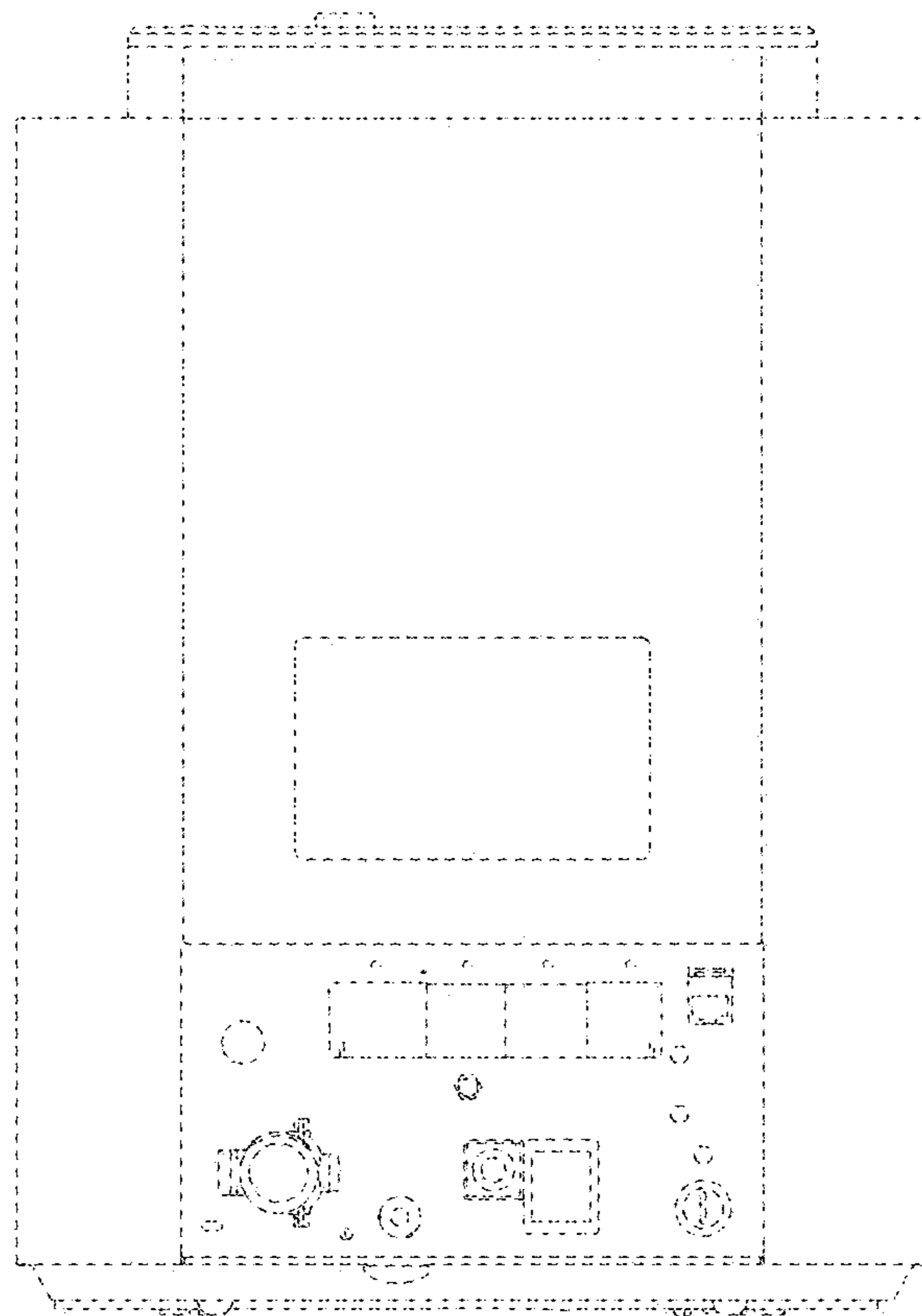


FIG. 4

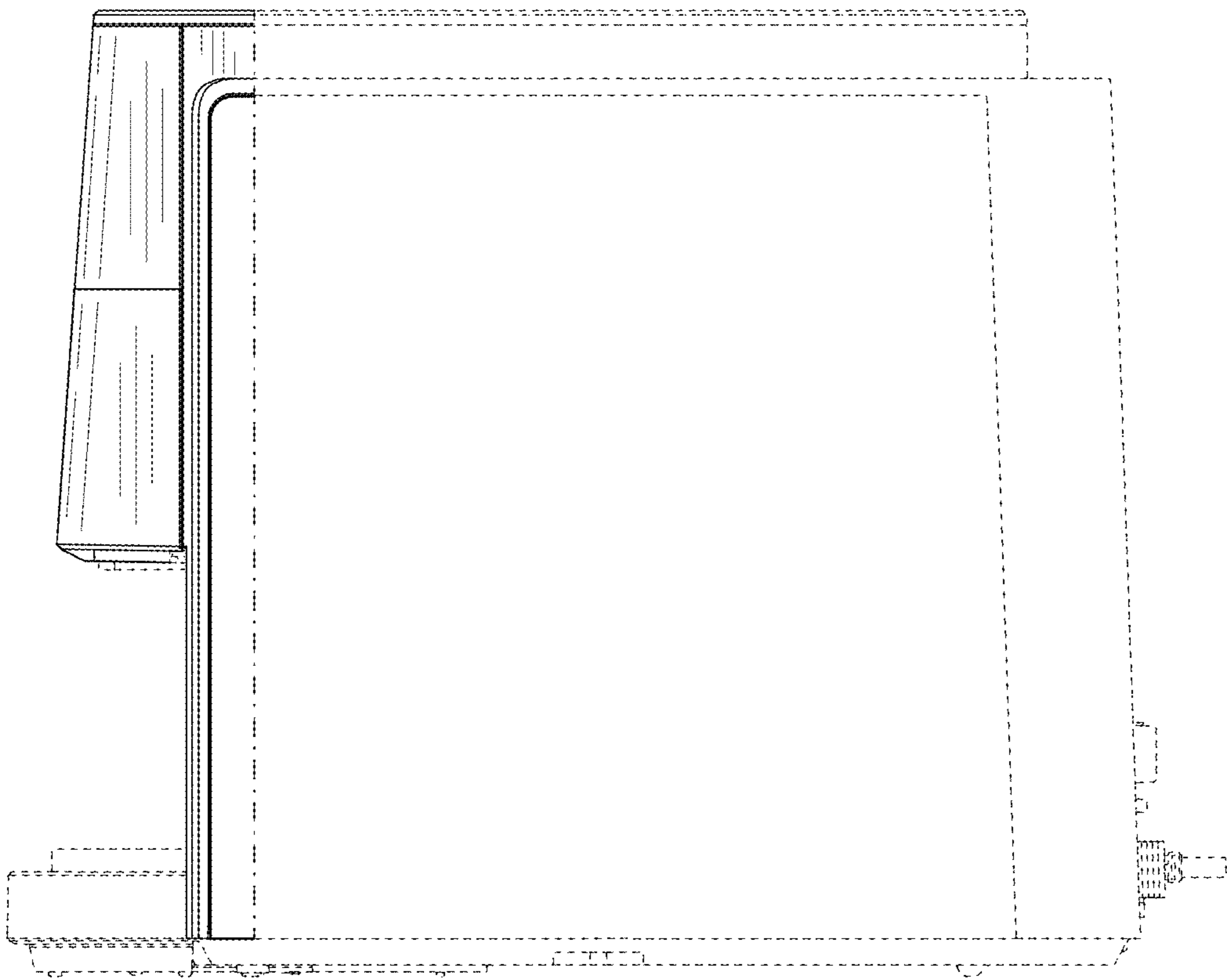


FIG. 5

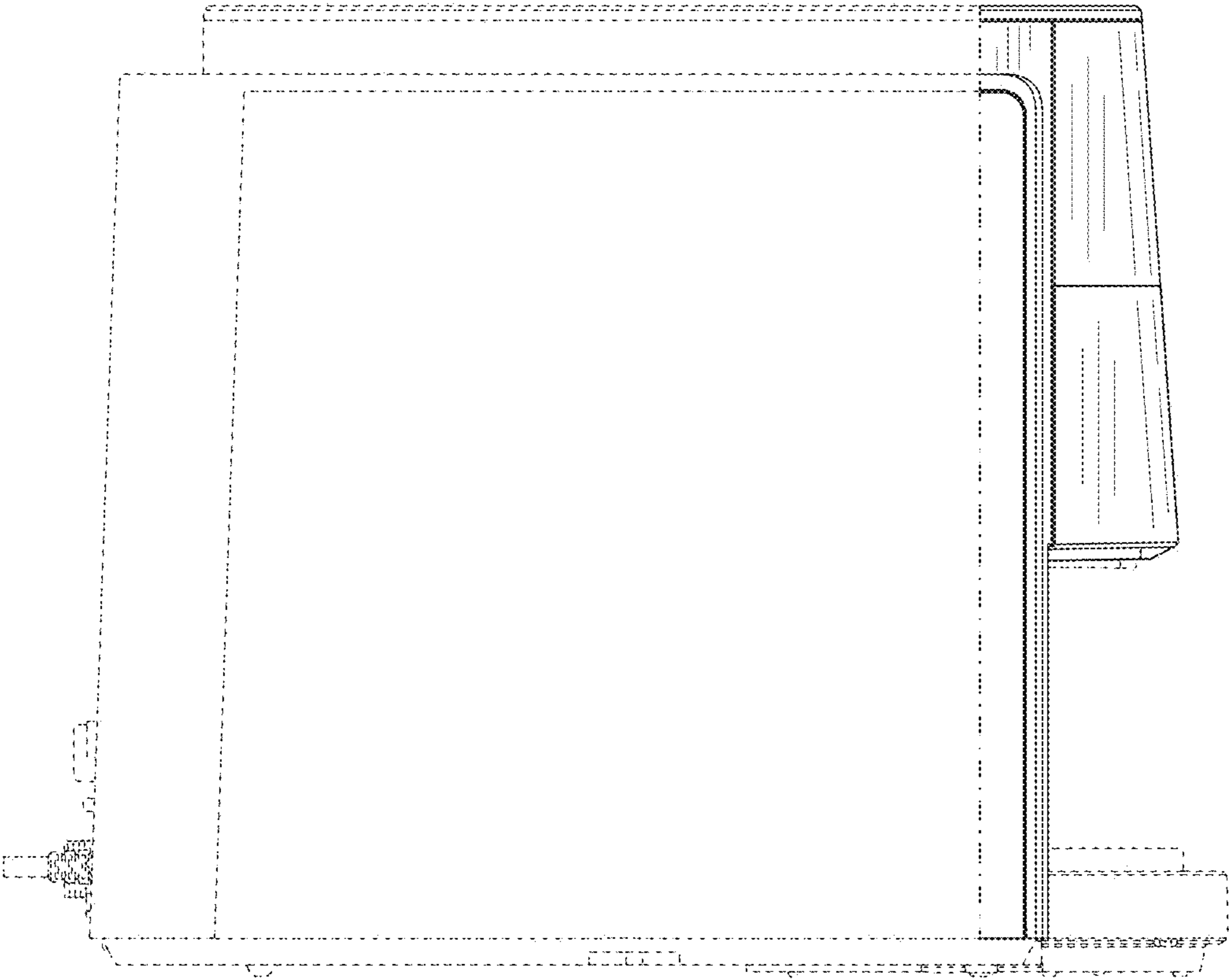


FIG. 6



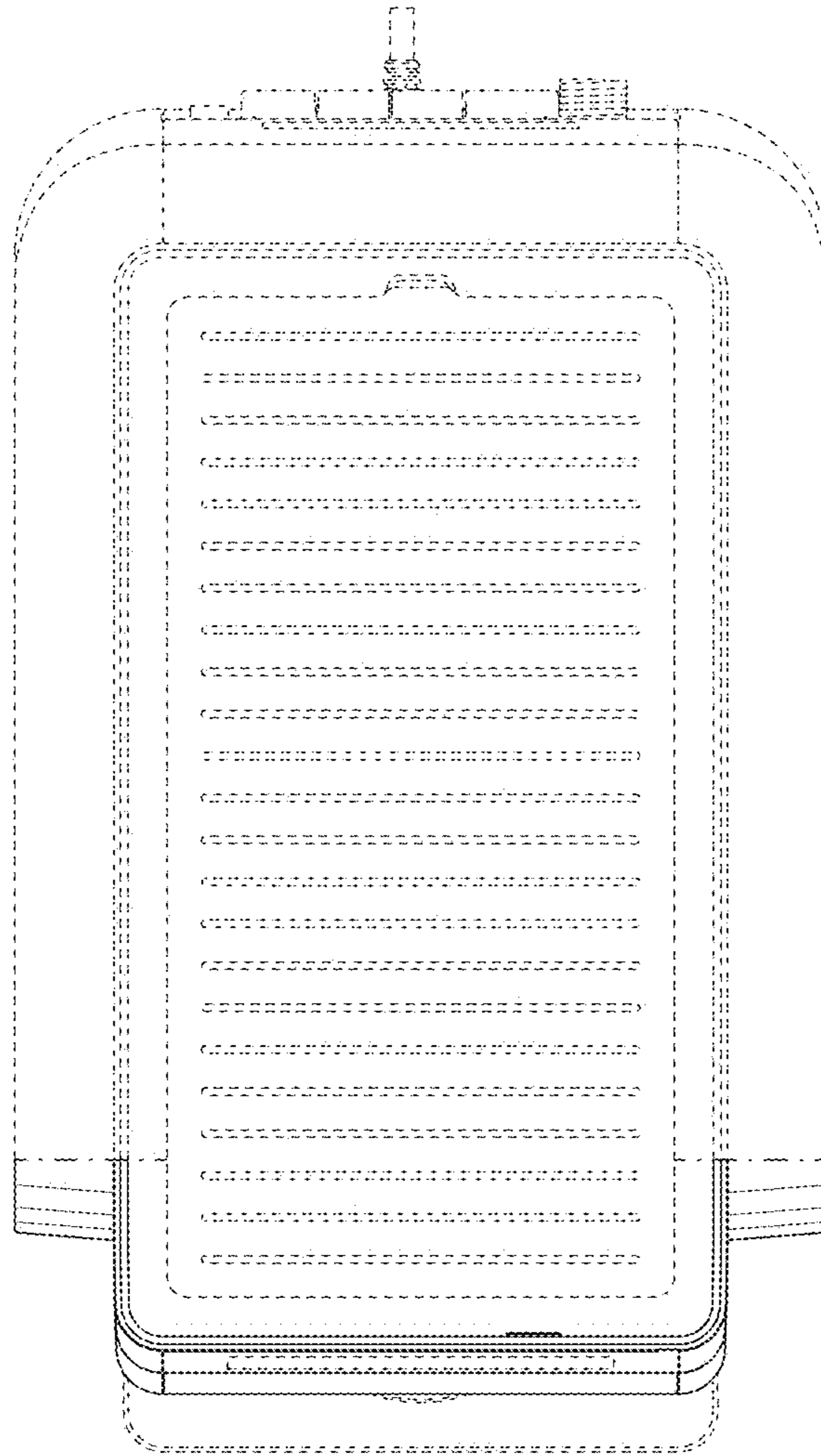


FIG. 7

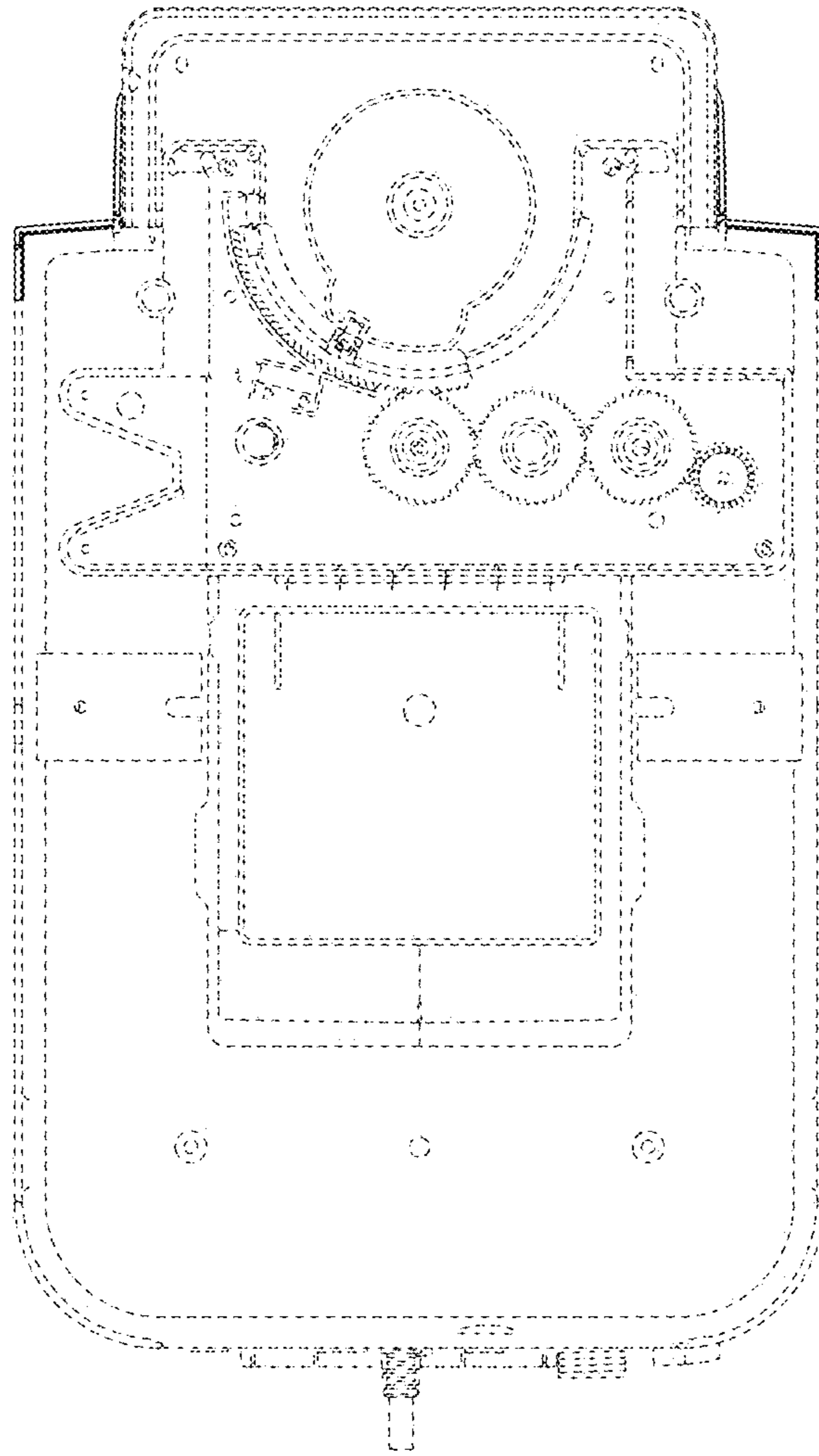


FIG. 8