



US00D935827S

(12) **United States Design Patent** (10) **Patent No.:** **US D935,827 S**  
**Lee** (45) **Date of Patent:** **\*\* Nov. 16, 2021**

(54) **CHAIR BACK**

(71) Applicant: **JBL INTERNATIONAL, INC.**,  
Houston, TX (US)

(72) Inventor: **Lawrence K. Lee**, Houston, TX (US)

(\*\*) Term: **15 Years**

(21) Appl. No.: **29/724,255**

(22) Filed: **Feb. 13, 2020**

(51) **LOC (13) Cl.** ..... **06-01**

(52) **U.S. Cl.**  
USPC ..... **D6/716.4**; D6/348

(58) **Field of Classification Search**  
USPC ..... D6/334-336, 348, 369, 370, 371, 372,  
D6/373, 374, 375, 379, 716, 716.1, 716.2,  
D6/716.3, 716.4

(Continued)

(56) **References Cited**

**U.S. PATENT DOCUMENTS**

D36,771 S \* 2/1904 Kellogg ..... D6/369  
843,060 A \* 2/1907 Aronhalt ..... A47C 3/029  
297/272.2

(Continued)

**OTHER PUBLICATIONS**

Hinkle Carrington 240 Slat Back Wood Patio Rocking Chair, from hayneedle.com, Retrieved Date: Aug. 9, 2021, p. 1, from [https://www.hayneedle.com/product/hinklecarrington240slatbackwood-patorockingchair.cfm?source=pla&kwid=OutdoorRockingChairs%20level03&tid=HKL072-2&adtype=pla&kw=&&g\\_acctid=933-667-2123&g\\_campaign=Outdoor&g\\_campaignid=12578218507&g\\_adgroupid=120070792316&g\\_adid=509355802941&g\\_keyword=&g\\_keywordid=pla1286708902009&g\\_adtype=pla&g\\_merchantid=5643243&g\\_productchannel=online&g\\_productid=HKL0722&g\\_partition=1286708902009&g\\_network=g&g\\_ifproduct=product&g\\_ifcreative=&gclid=EAlalQobC-hMlnNPmgYal8glVZMqzCh18Qgj-5EAQYEiABEgLOSPD\\_BwE&gclidsrc=aw.ds](https://www.hayneedle.com/product/hinklecarrington240slatbackwood-patorockingchair.cfm?source=pla&kwid=OutdoorRockingChairs%20level03&tid=HKL072-2&adtype=pla&kw=&&g_acctid=933-667-2123&g_campaign=Outdoor&g_campaignid=12578218507&g_adgroupid=120070792316&g_adid=509355802941&g_keyword=&g_keywordid=pla1286708902009&g_adtype=pla&g_merchantid=5643243&g_productchannel=online&g_productid=HKL0722&g_partition=1286708902009&g_network=g&g_ifproduct=product&g_ifcreative=&gclid=EAlalQobC-hMlnNPmgYal8glVZMqzCh18Qgj-5EAQYEiABEgLOSPD_BwE&gclidsrc=aw.ds) (Year: 2021).\*

(Continued)

*Primary Examiner* — Mimosa De

(74) *Attorney, Agent, or Firm* — Egbert, McDaniel & Swartz, PLLC

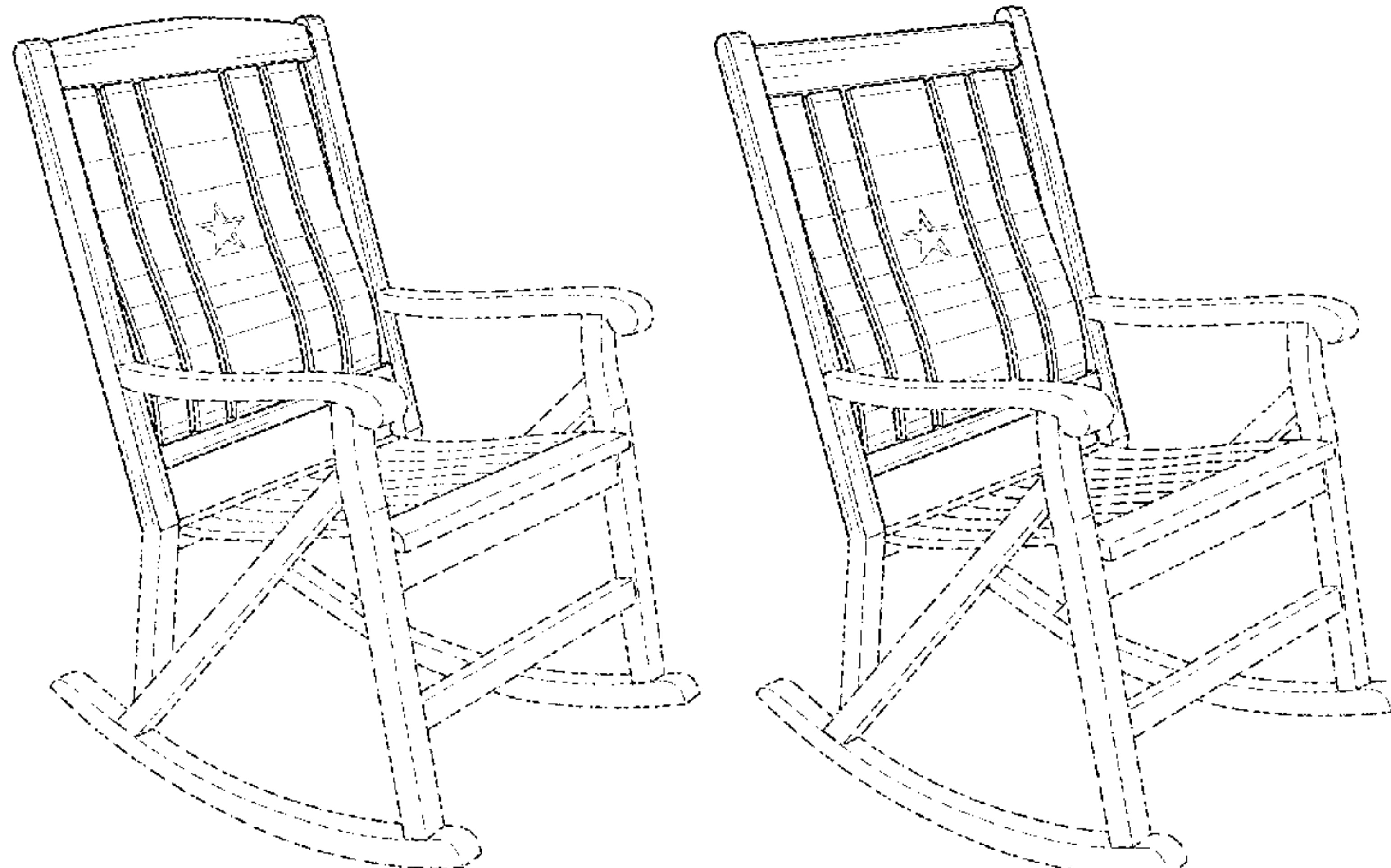
(57) **CLAIM**

The ornamental design for a chair back, as shown and described.

**DESCRIPTION**

FIG. 1 is a perspective view of a first embodiment of a chair back showing my new design.  
FIG. 2 is a front view thereof;  
FIG. 3 is a rear view thereof;  
FIG. 4 is a side view thereof;  
FIG. 5 is an opposite side view thereof;  
FIG. 6 is a top view thereof;  
FIG. 7 is a bottom view thereof;  
FIG. 8 is a perspective view of a second embodiment thereof;  
FIG. 9 is a front view of FIG. 8;  
FIG. 10 is a rear view of FIG. 8;  
FIG. 11 is a side view of FIG. 8;  
FIG. 12 is an opposite side view of FIG. 8;  
FIG. 13 is a top view of FIG. 8;  
FIG. 14 is a bottom view of FIG. 8;  
FIG. 15 is a perspective view of a third embodiment thereof;  
FIG. 16 is a front view of FIG. 15;  
FIG. 17 is a rear view of FIG. 15;  
FIG. 18 is a side view of FIG. 15;  
FIG. 19 is an opposite side view of FIG. 15;  
FIG. 20 is a top view of FIG. 15;  
FIG. 21 is a bottom view of FIG. 15;  
FIG. 22 is a perspective view of a fourth embodiment thereof;  
FIG. 23 is a front view of FIG. 22;  
FIG. 24 is a rear view of FIG. 22;  
FIG. 25 is a side view of FIG. 22;  
FIG. 26 is an opposite side view of FIG. 22;  
FIG. 27 is a top view of FIG. 22; and,  
FIG. 28 is a bottom view of FIG. 22.

(Continued)



The broken line showings of the star shape in the drawings illustrate portions of the chair back that form no part of the claimed design. The broken line showing of the chair seat, base and arms illustrates the environment of the claimed design and forms no part thereof.

**1 Claim, 12 Drawing Sheets**

D43,443 S *	1/1913	Taylor	.....	D6/348
D43,444 S *	1/1913	Taylor	.....	D6/348
D313,320 S *	1/1991	Fisher	.....	D6/348
D373,910 S *	9/1996	Frinier	.....	D6/370
D375,636 S *	11/1996	Arcese	.....	D6/370
D502,608 S *	3/2005	Brown	.....	D6/345
D511,420 S *	11/2005	Haralson	.....	D6/370
D825,211 S *	8/2018	Lee	.....	D6/348
D899,113 S *	10/2020	Lee	.....	D6/348

(58) **Field of Classification Search**

CPC ..... A47C 3/02; A47C 3/025; A47C 3/027;  
A47C 3/029; A47C 4/02; A47C 4/03;  
A47C 4/08; A47C 5/046; A47C 7/16;  
A47C 4/024; A47C 7/54

See application file for complete search history.

(56) **References Cited**

U.S. PATENT DOCUMENTS

D40,588 S *	3/1910	Voncanon	.....	D6/348
D43,442 S *	1/1913	Taylor	.....	D6/348

OTHER PUBLICATIONS

Seven Seas Teak Salvador Outdoor Patio Rocking Chair, from overstock.com, Retrieved Date: Aug. 9, 2021, p. 1, from <https://www.overstock.com/Home-Garden/Seven-Seas-Teak-Salvador-Outdoor-Patio-Rocking-Chair/31292322/product.html?refccid=HNZN5OP2AQIY63CFWU5MX72BPU&searchidx=326&kwds=&rfmt=material%3AWoo> (Year: 2021).\*

\* cited by examiner

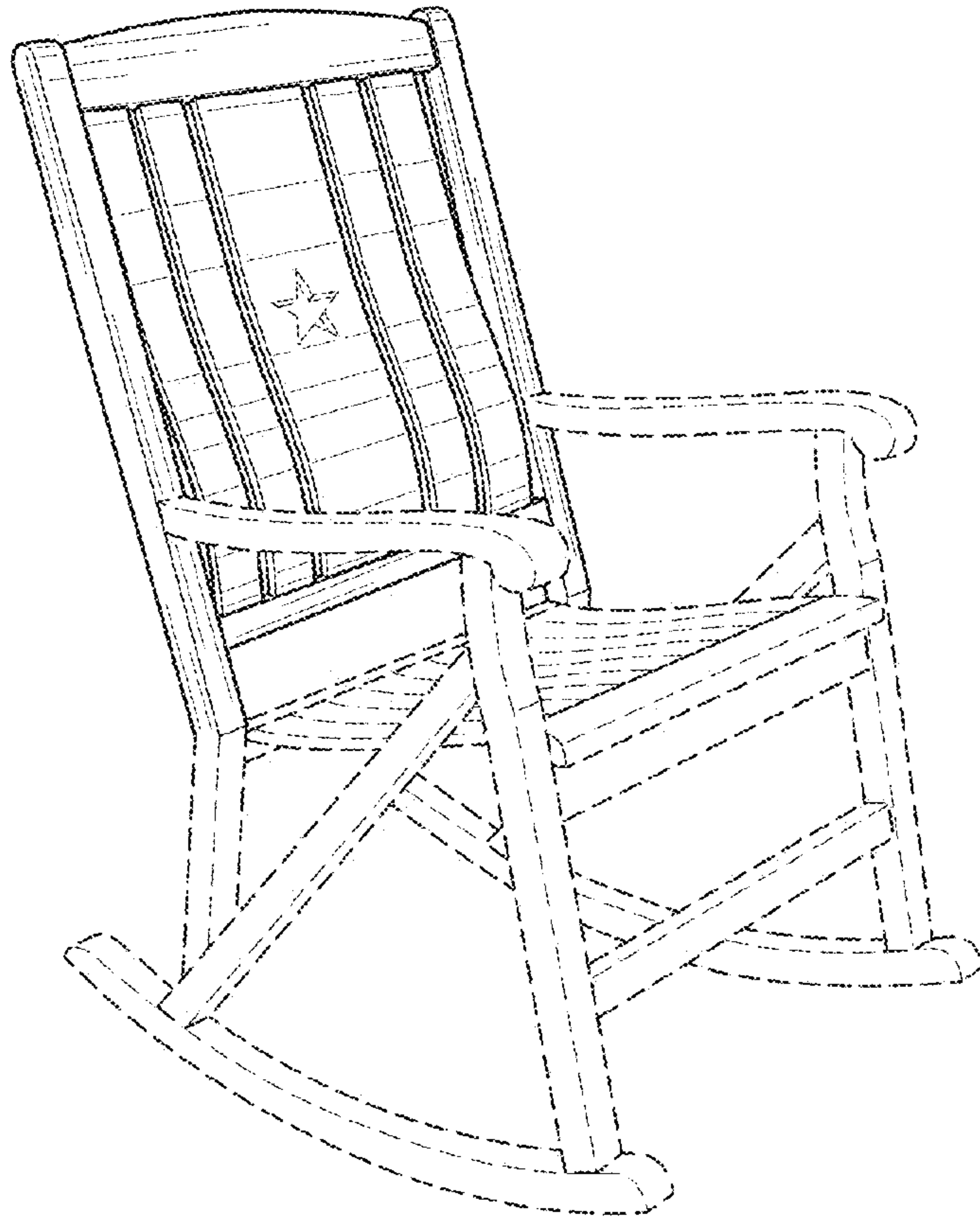


FIG. 1

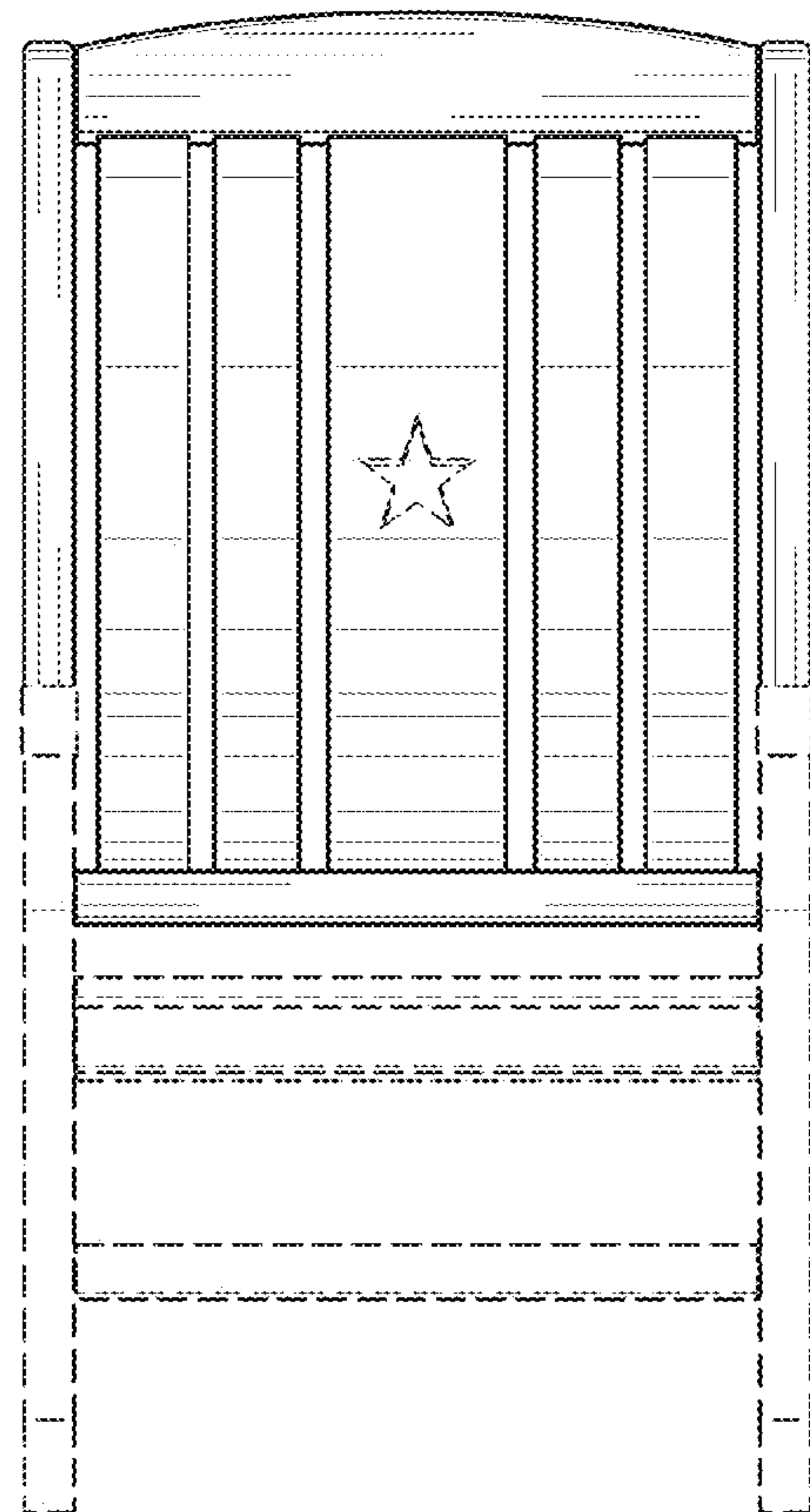
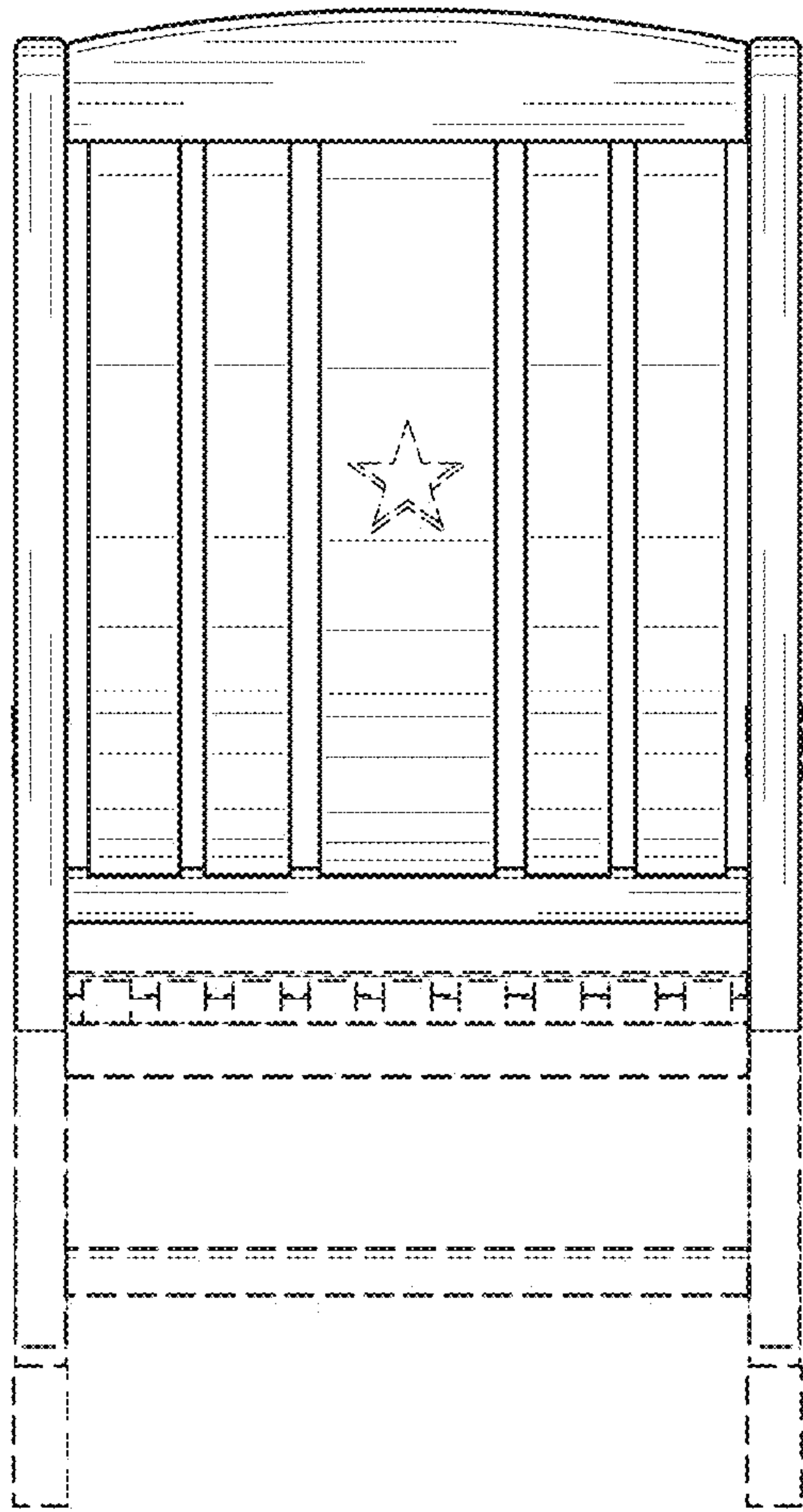
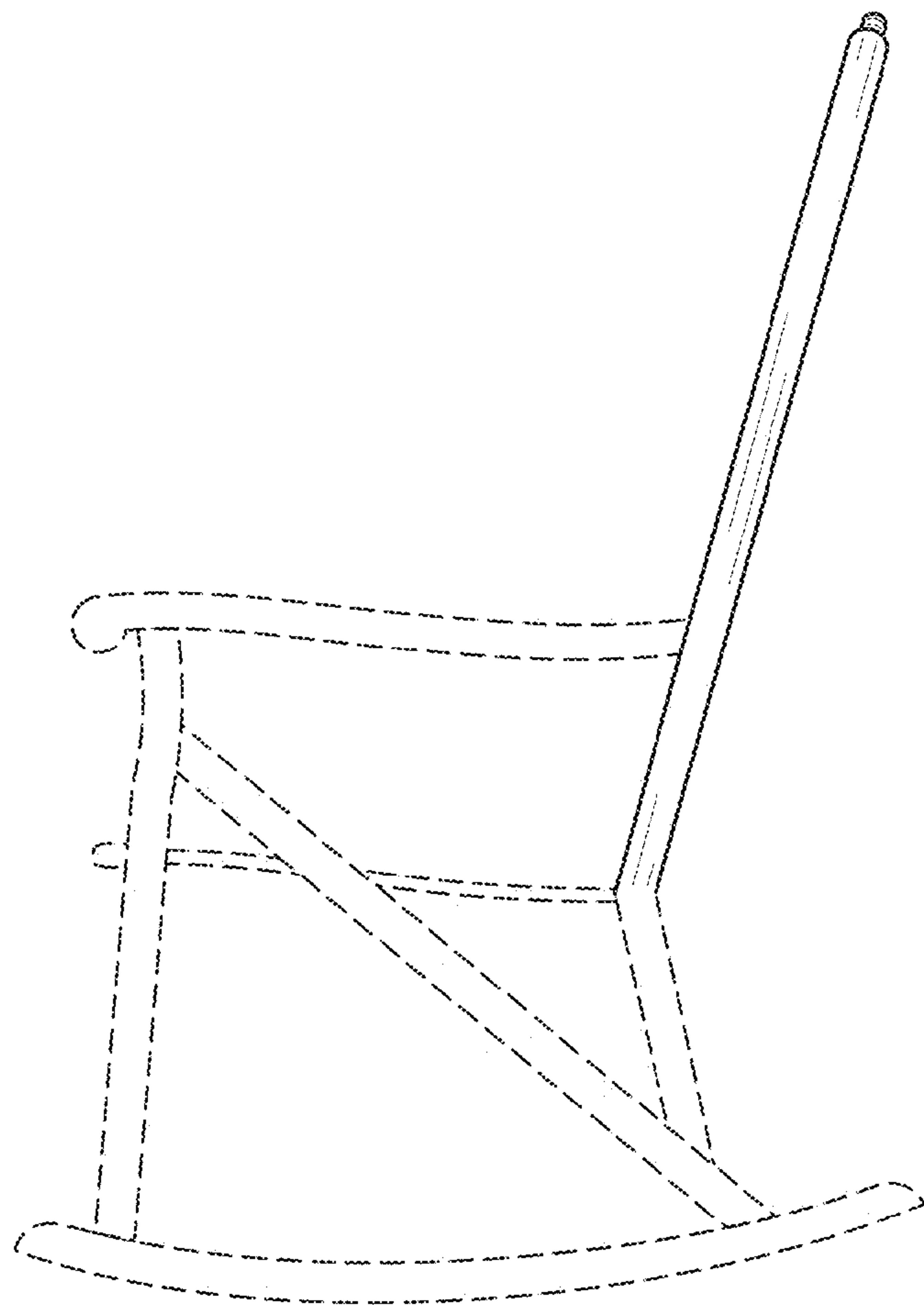


FIG. 2





*FIG. 3*



*FIG. 4*

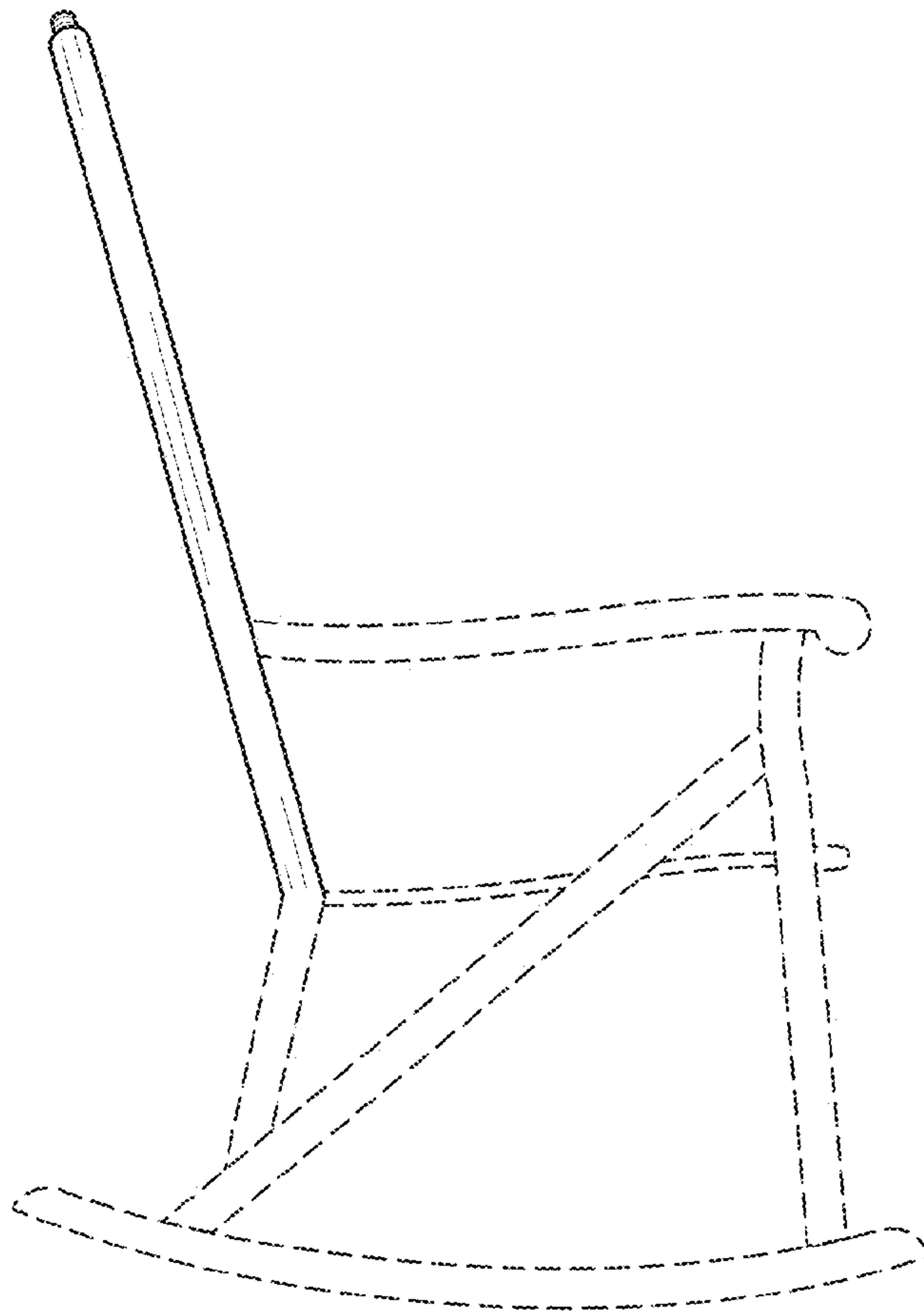


FIG. 5

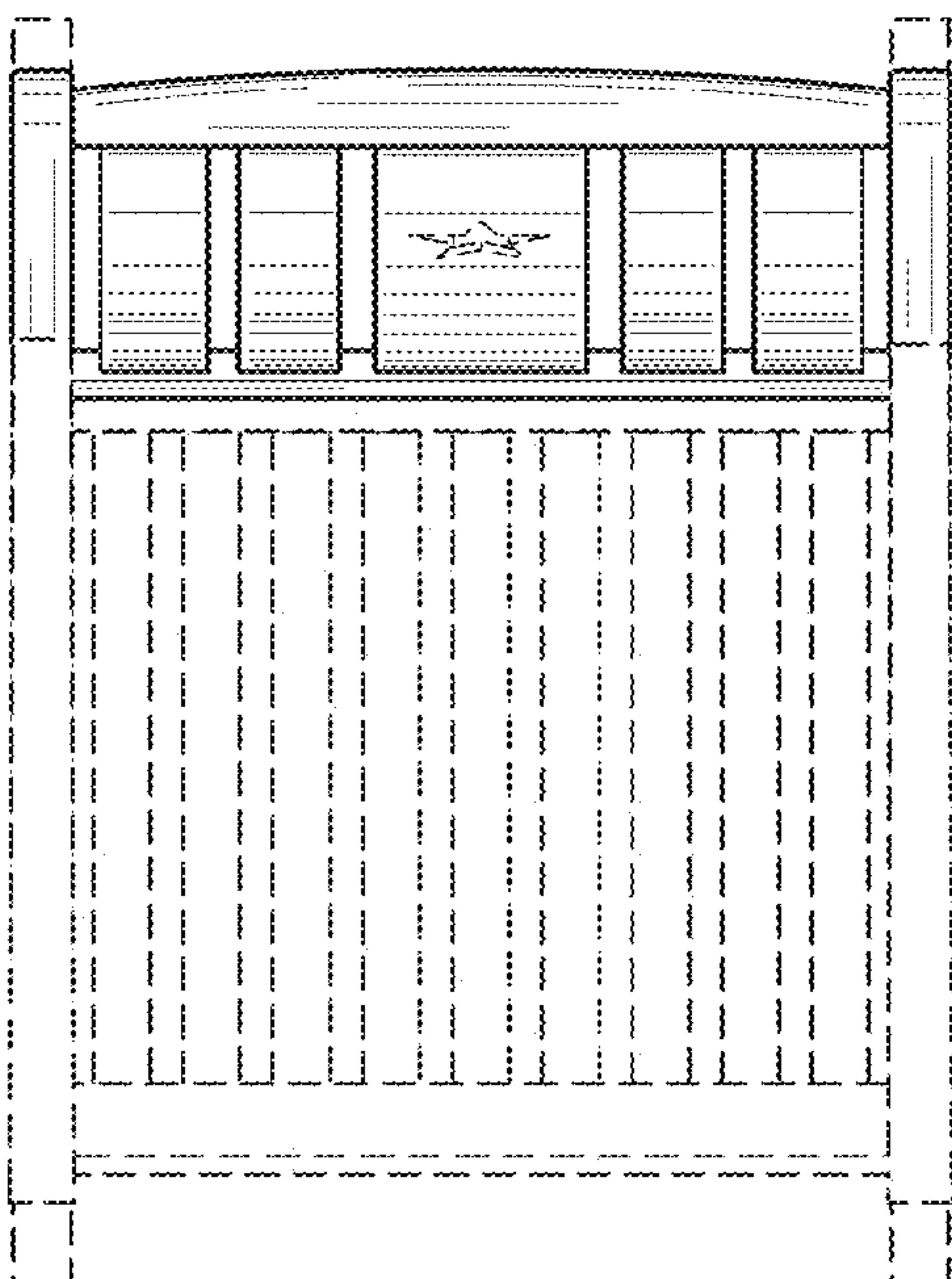


FIG. 6

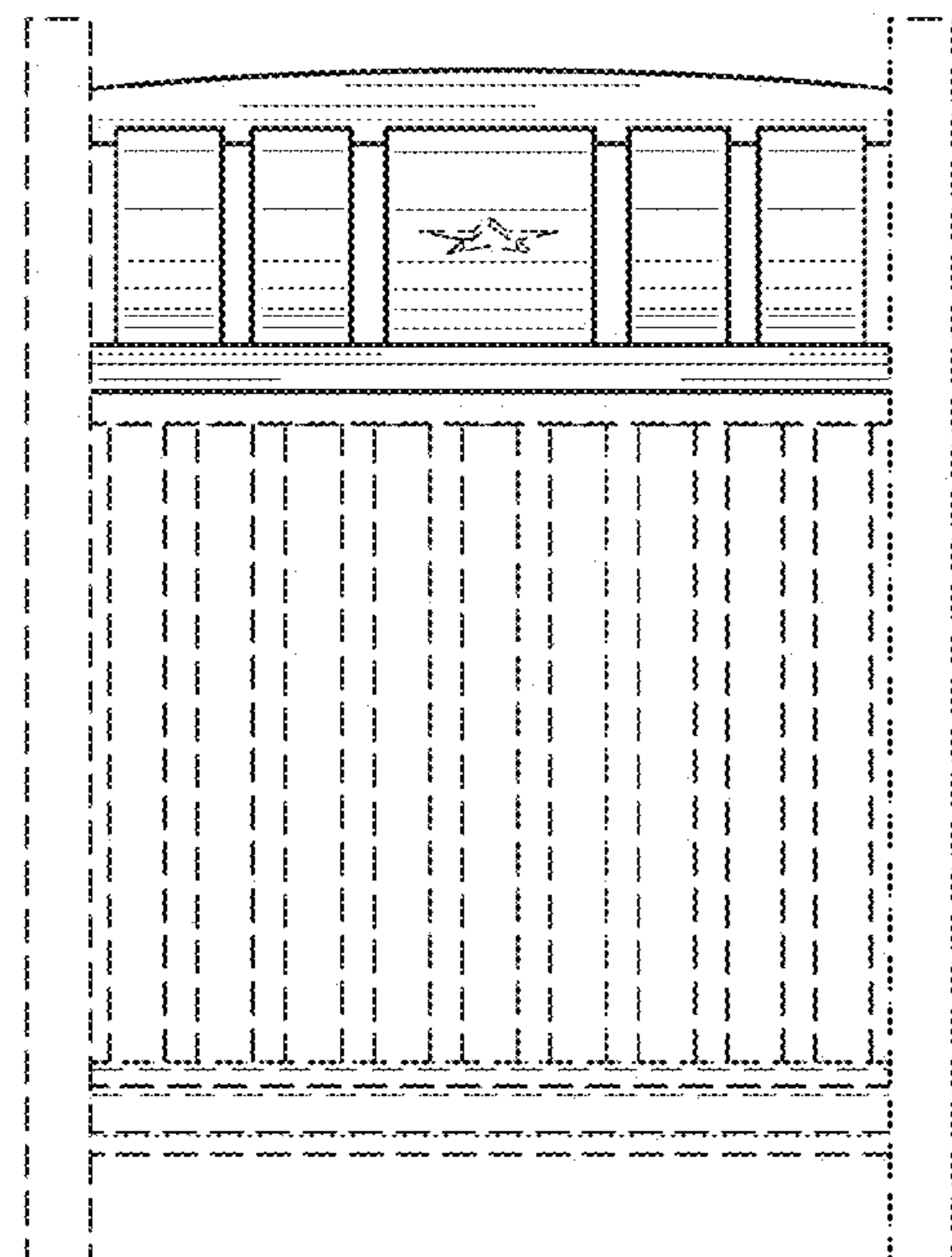


FIG. 7

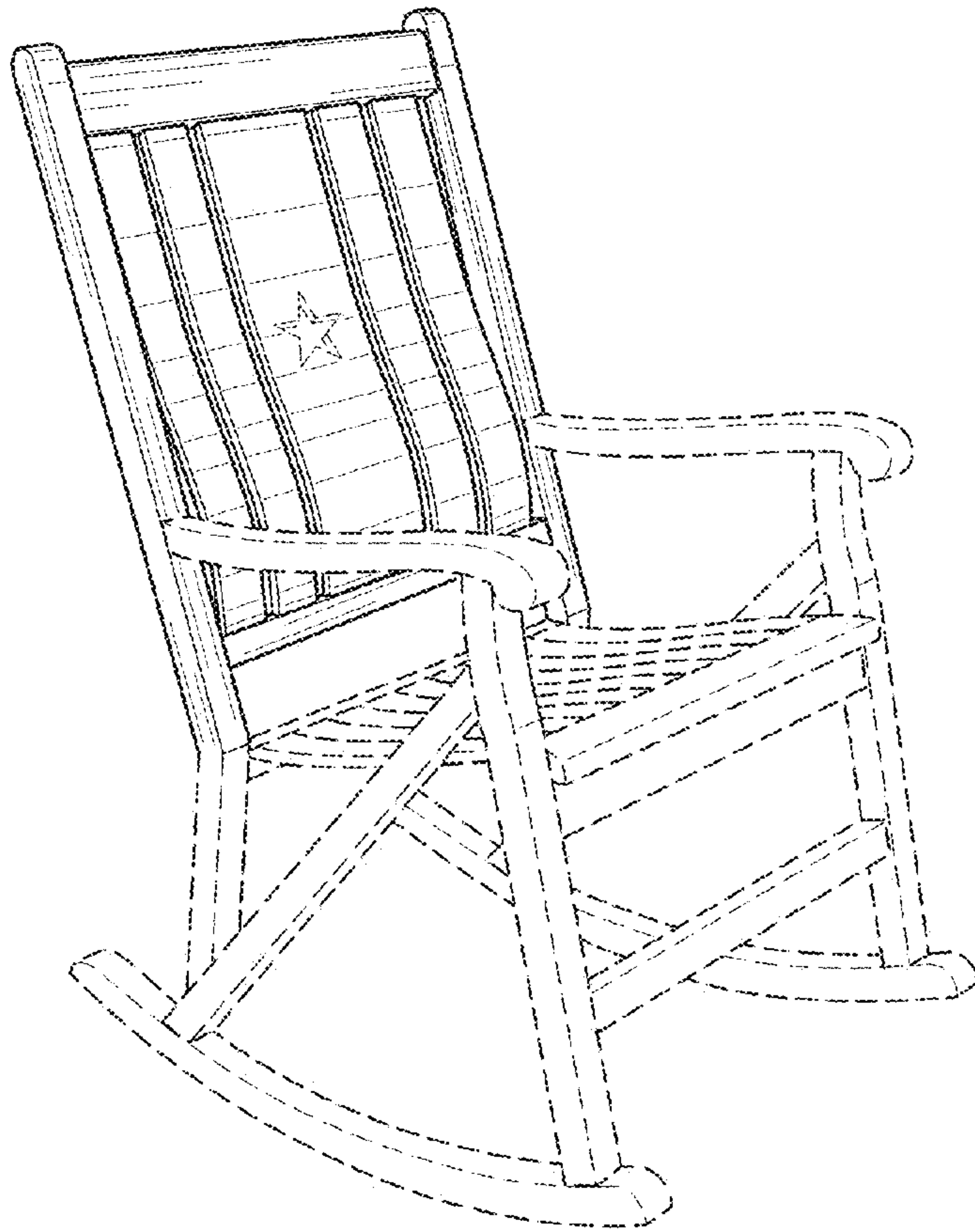


FIG. 8

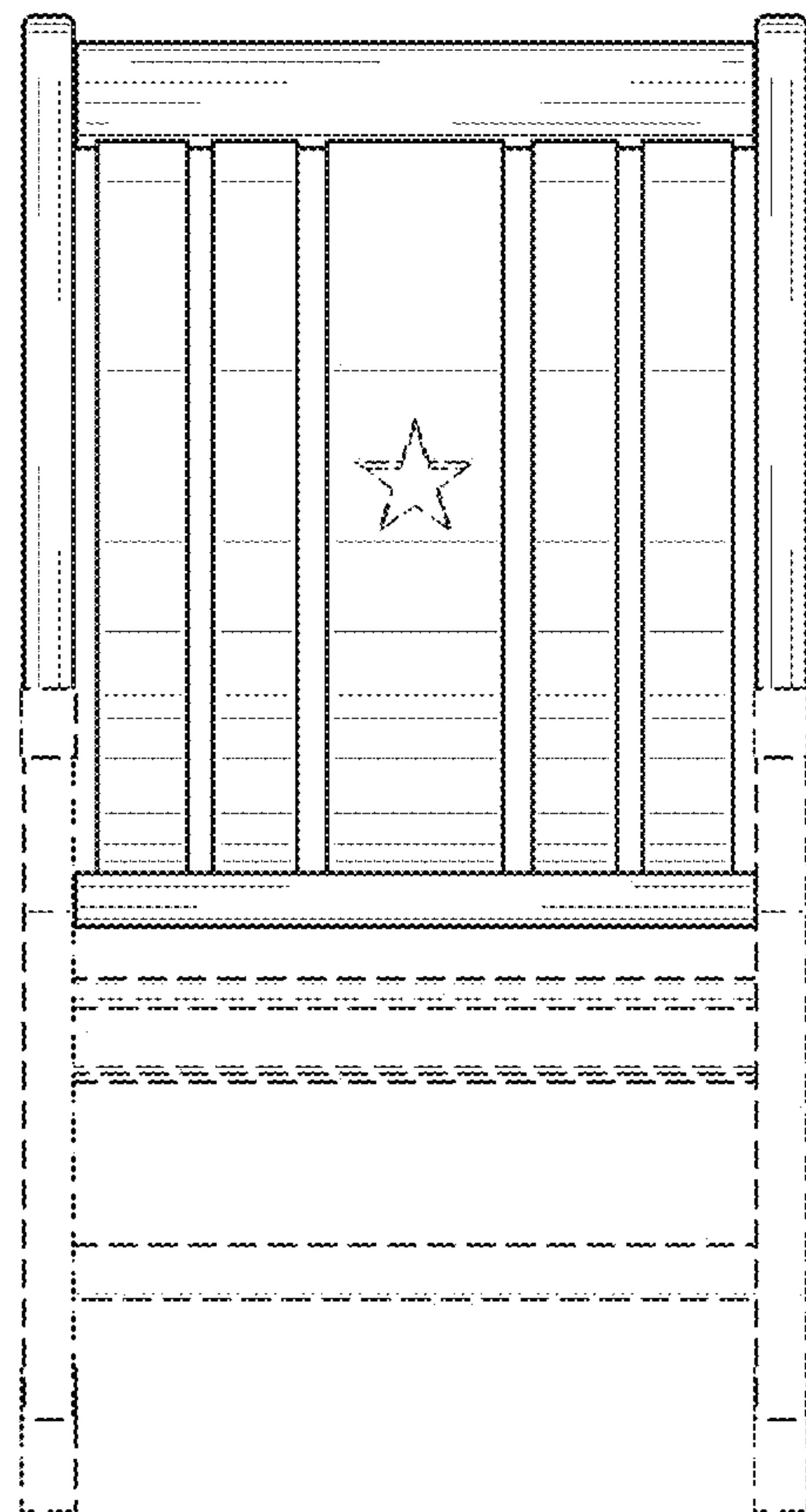


FIG. 9

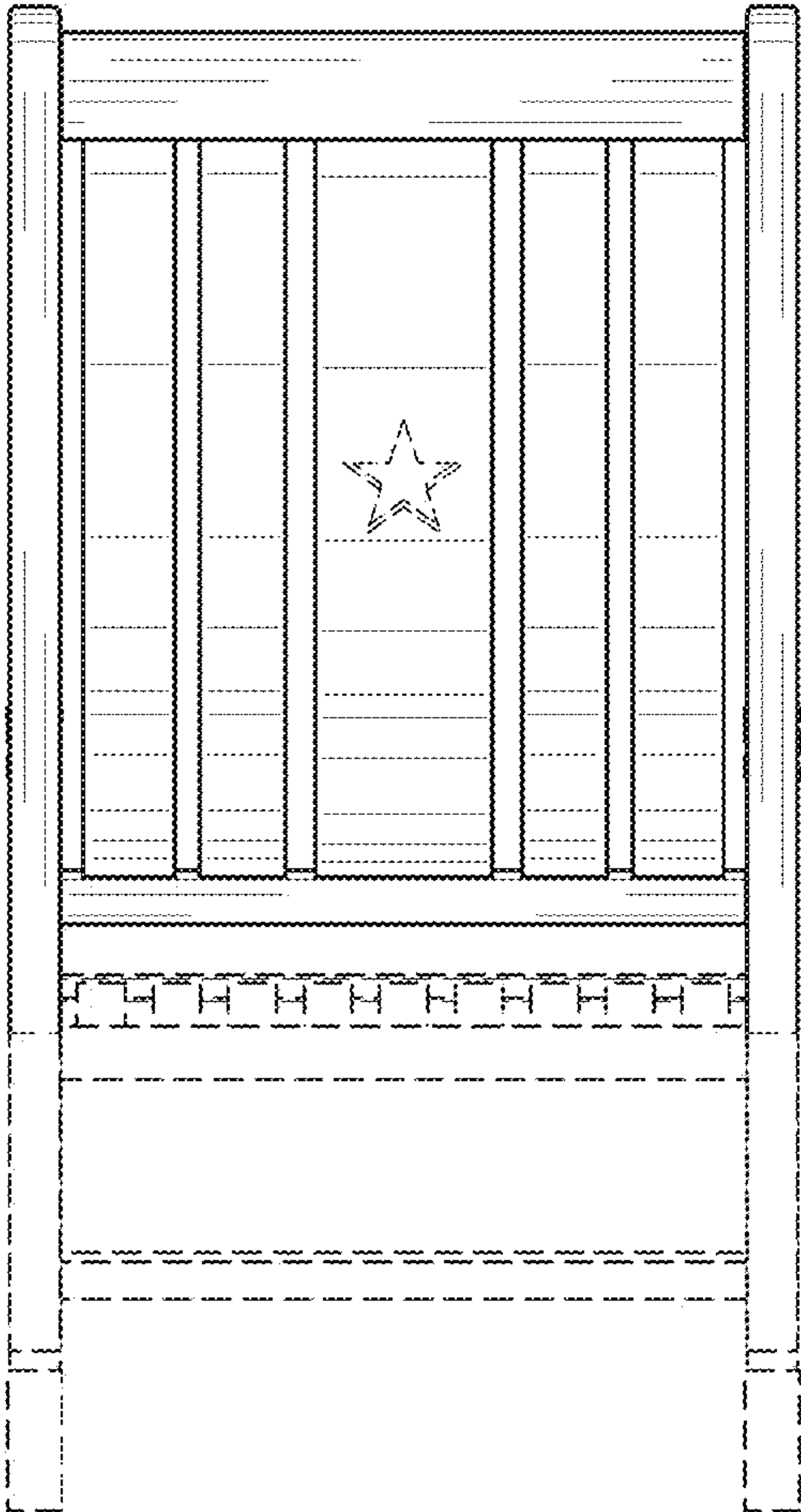


FIG. 10

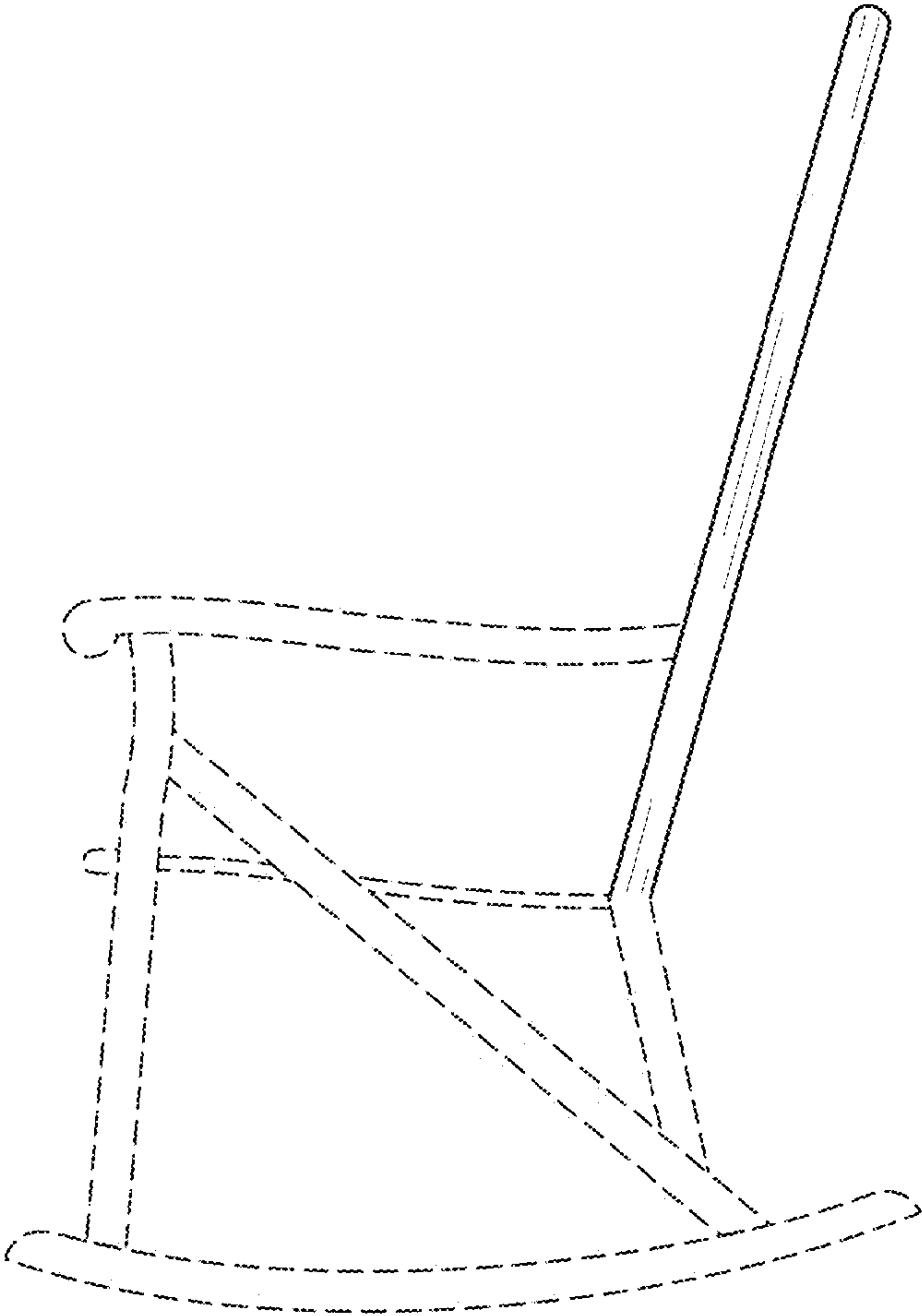


FIG. 11



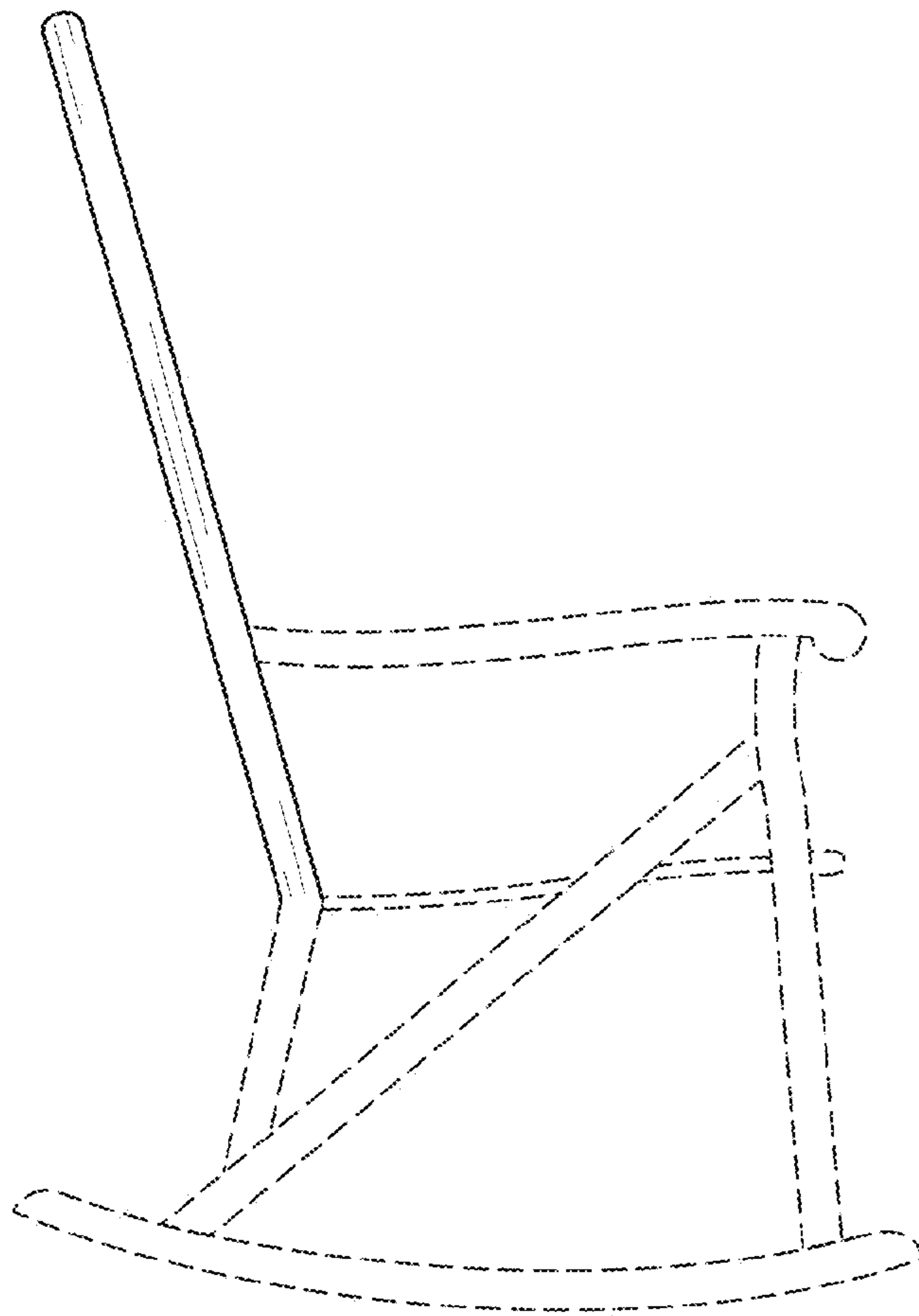


FIG. 12

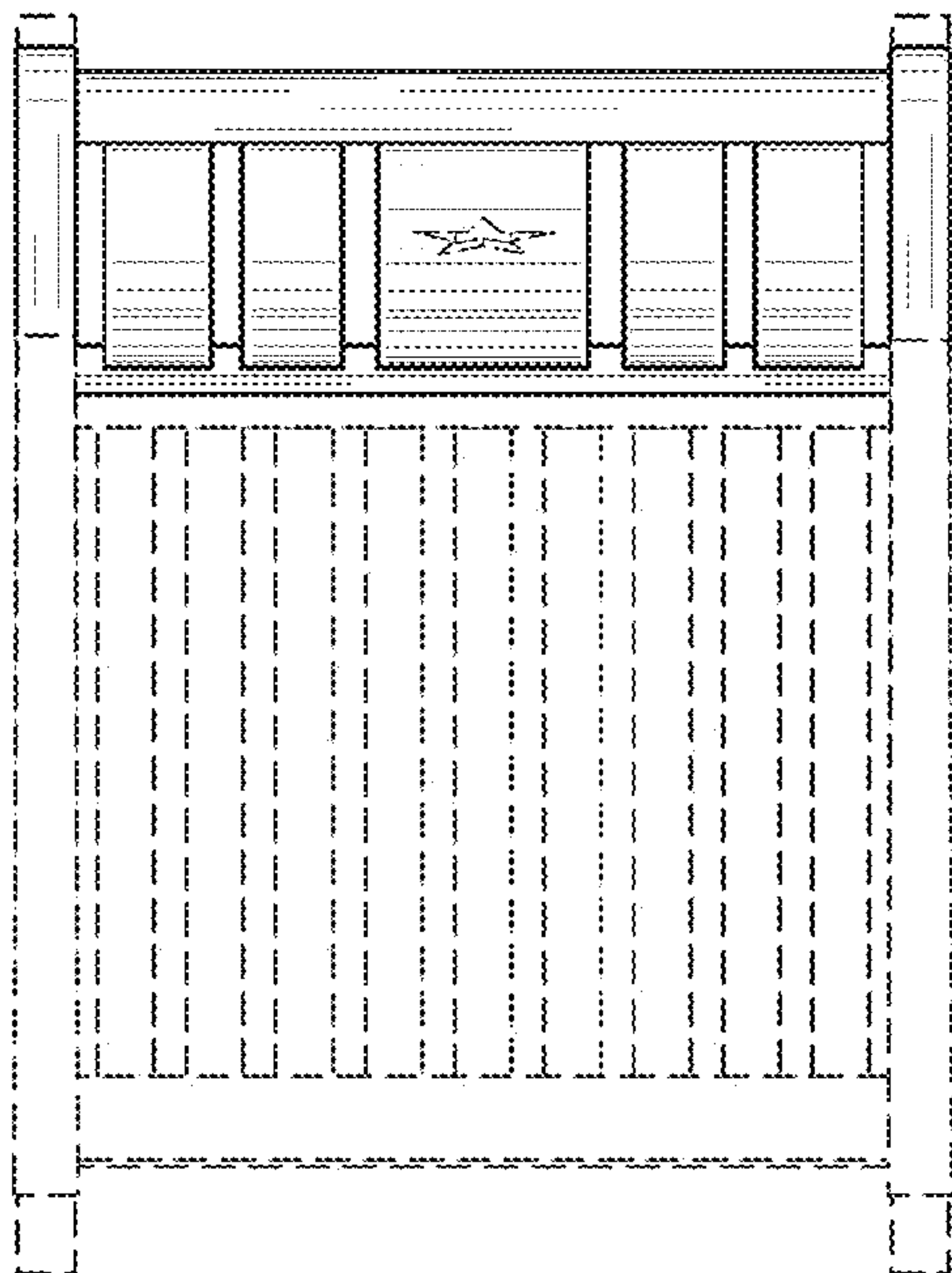


FIG. 13

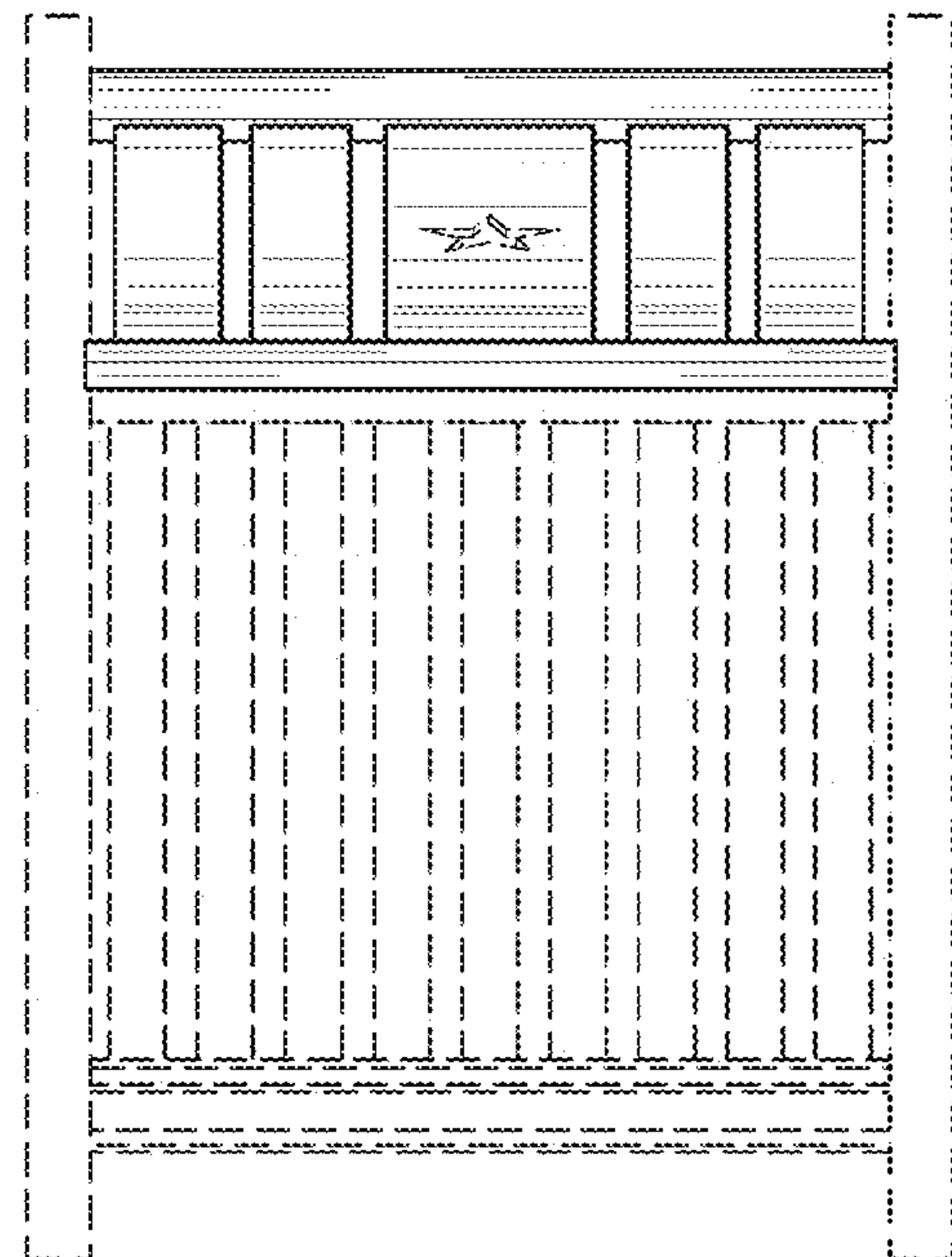


FIG. 14



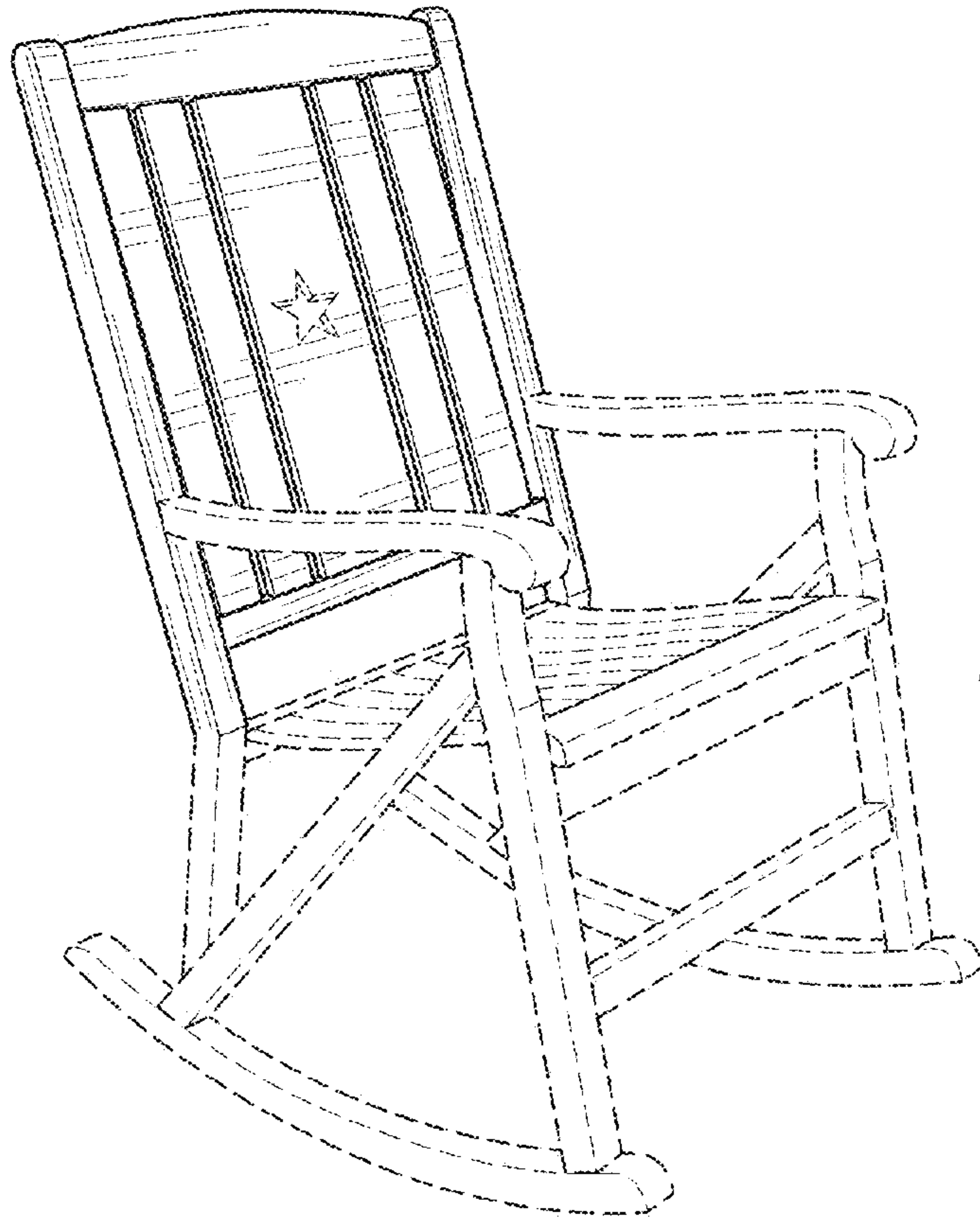


FIG. 15

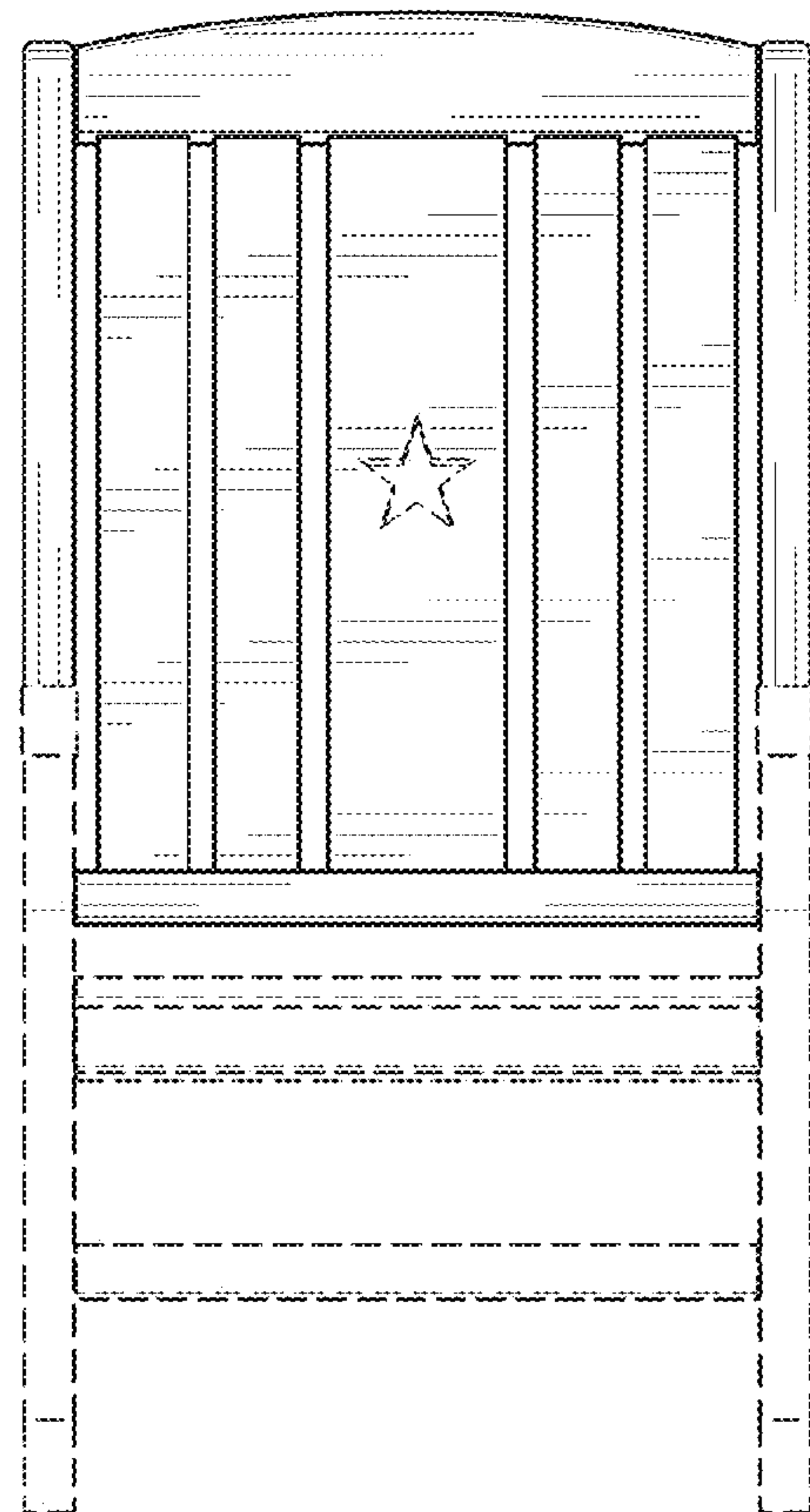
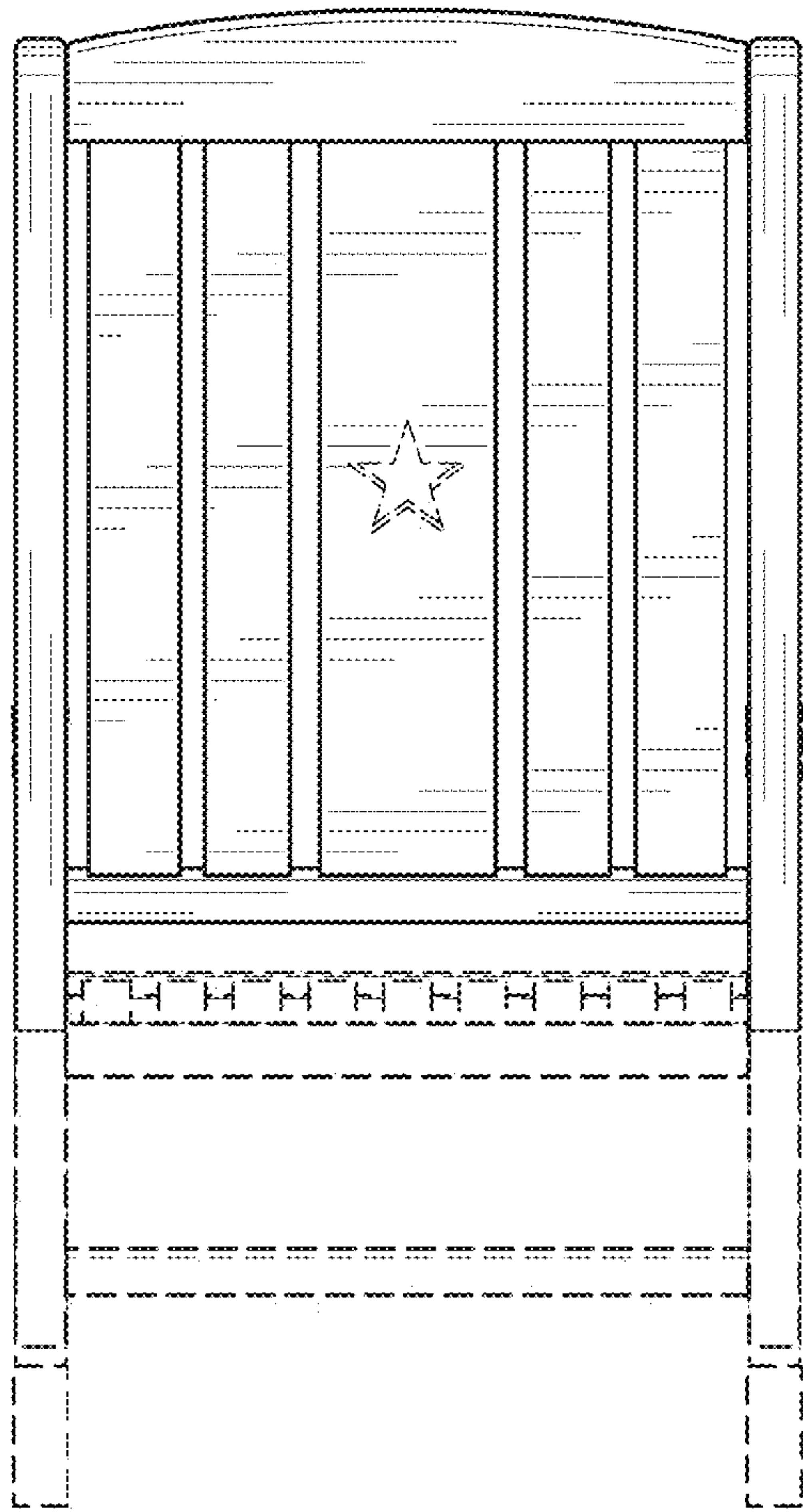
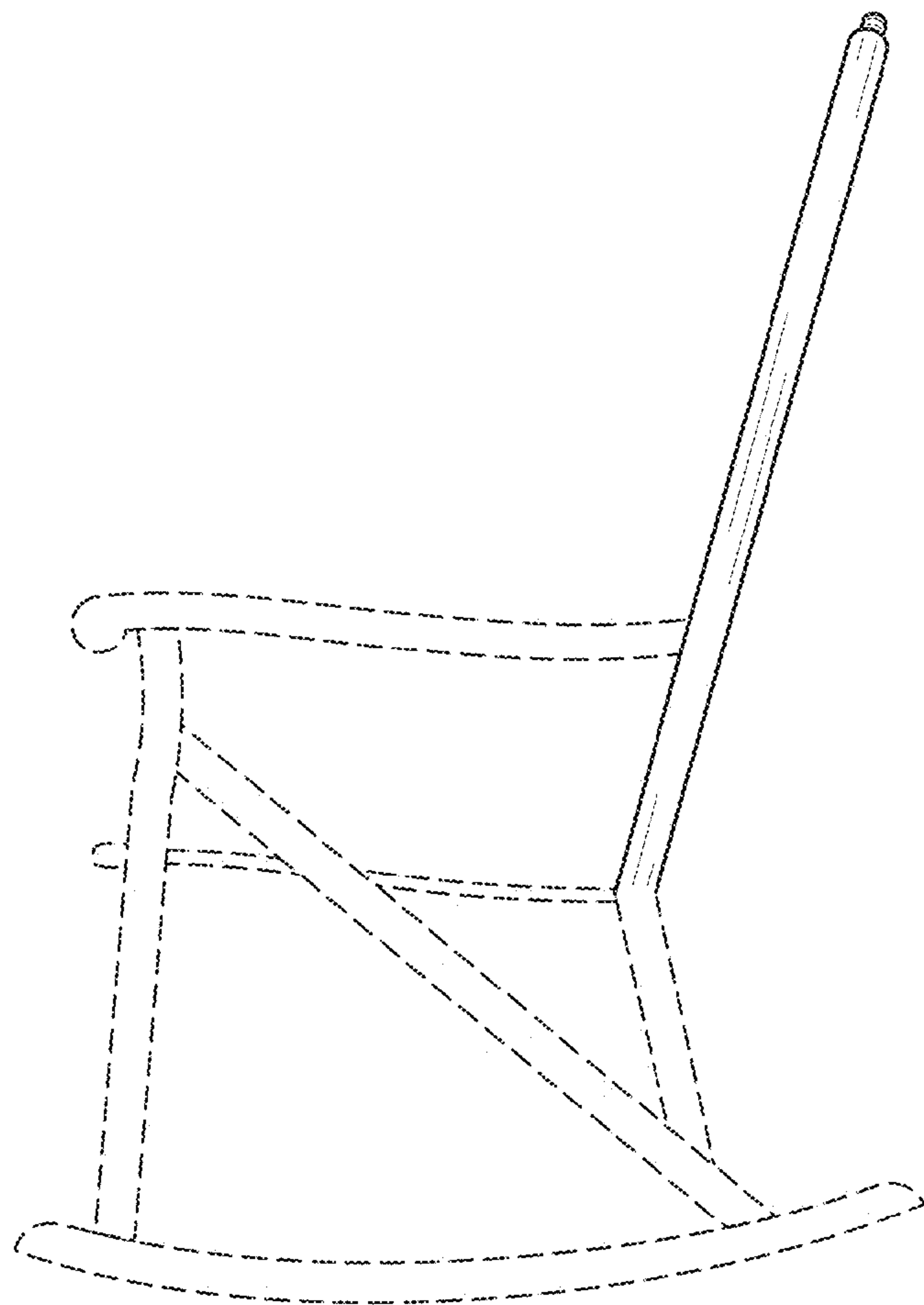


FIG. 16



*FIG. 17*



*FIG. 18*

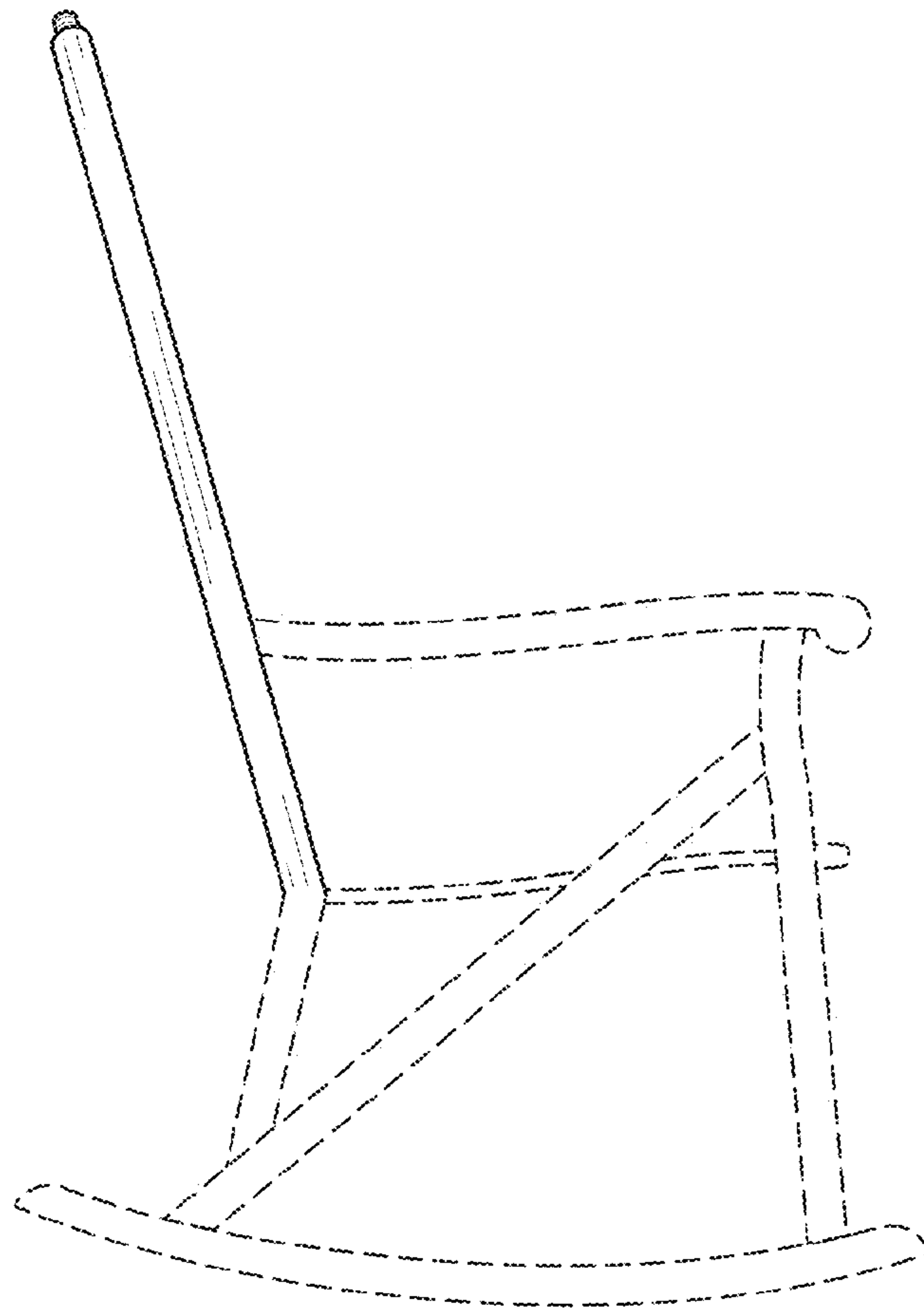


FIG. 19

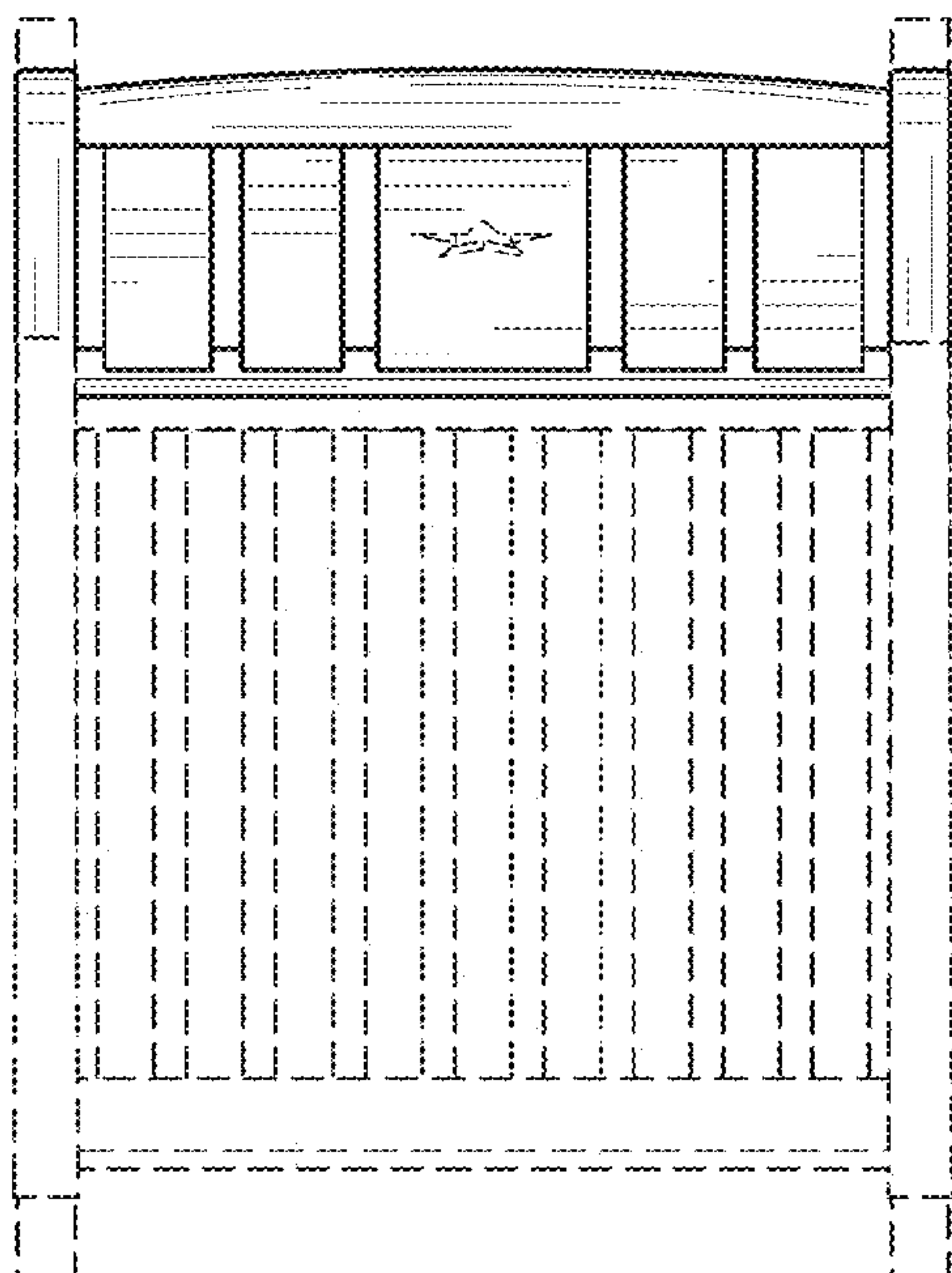


FIG. 20

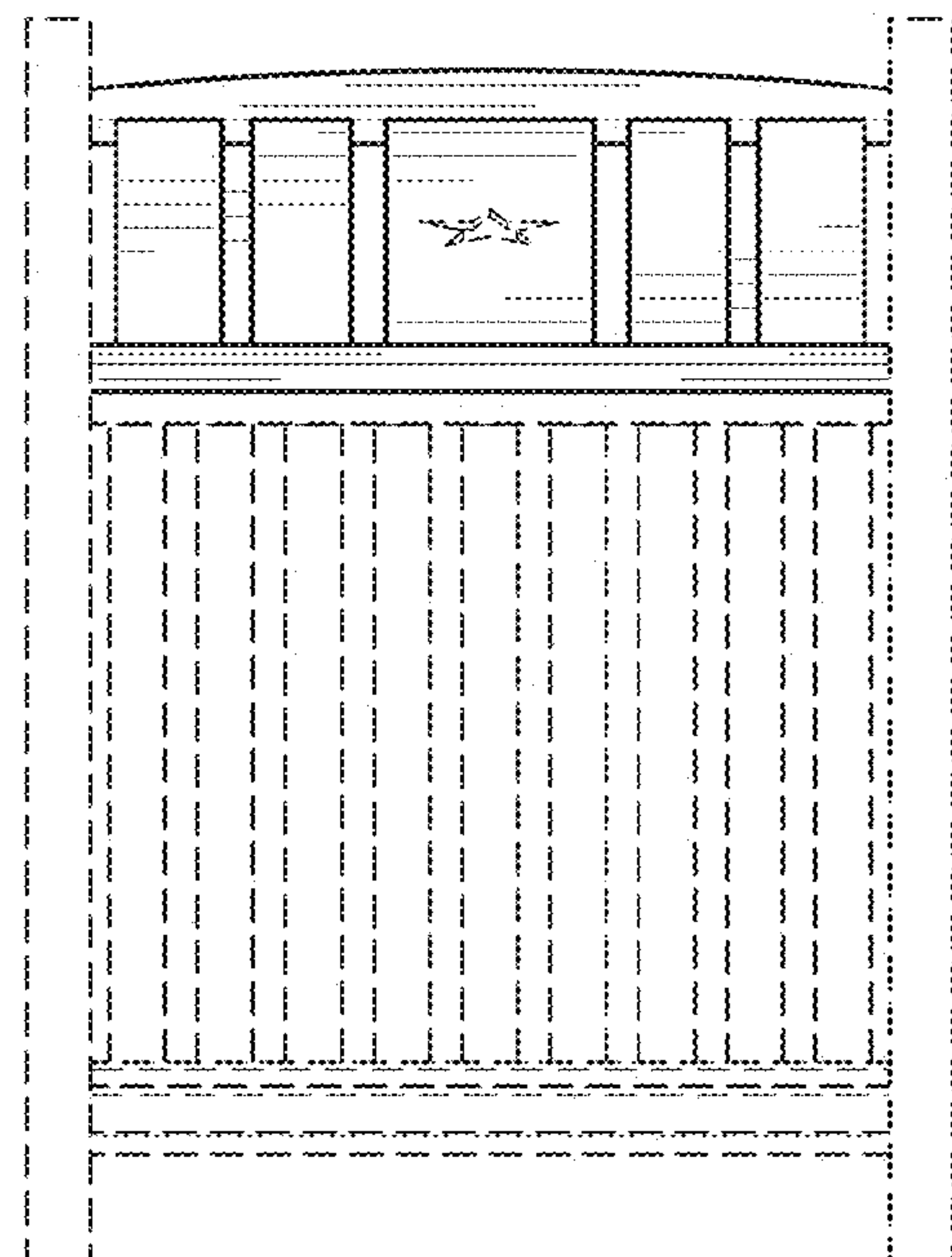


FIG. 21

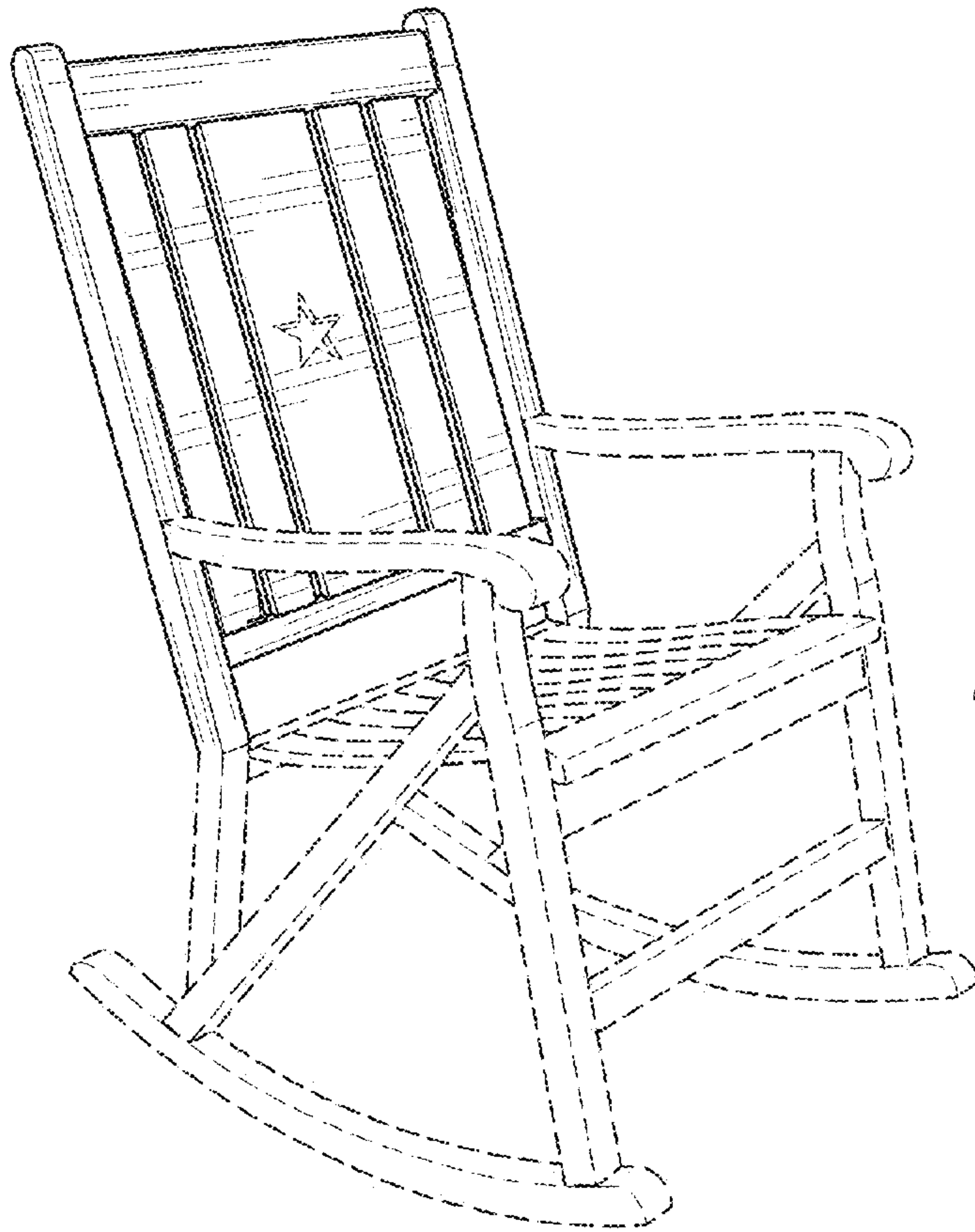


FIG. 22

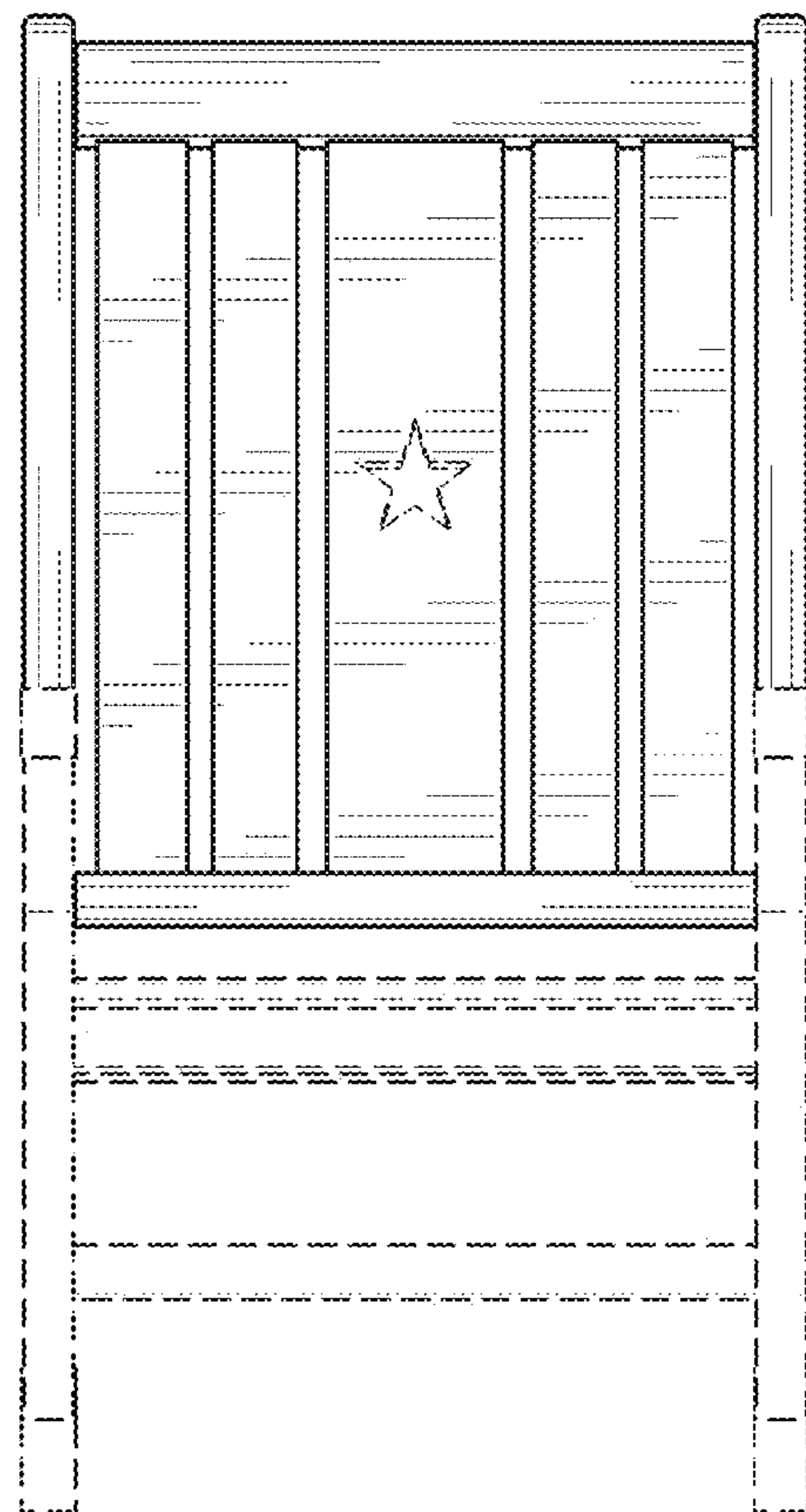
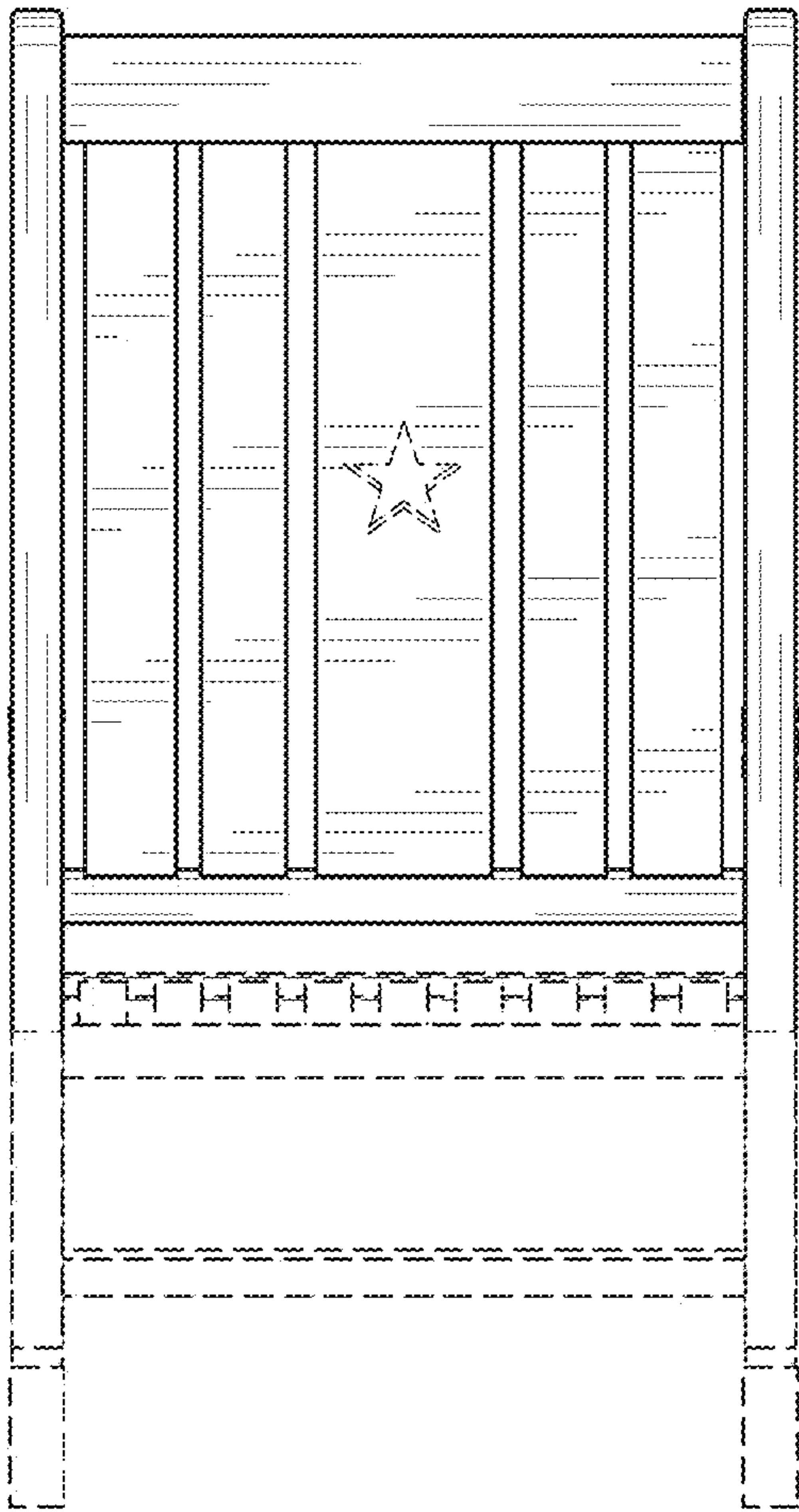
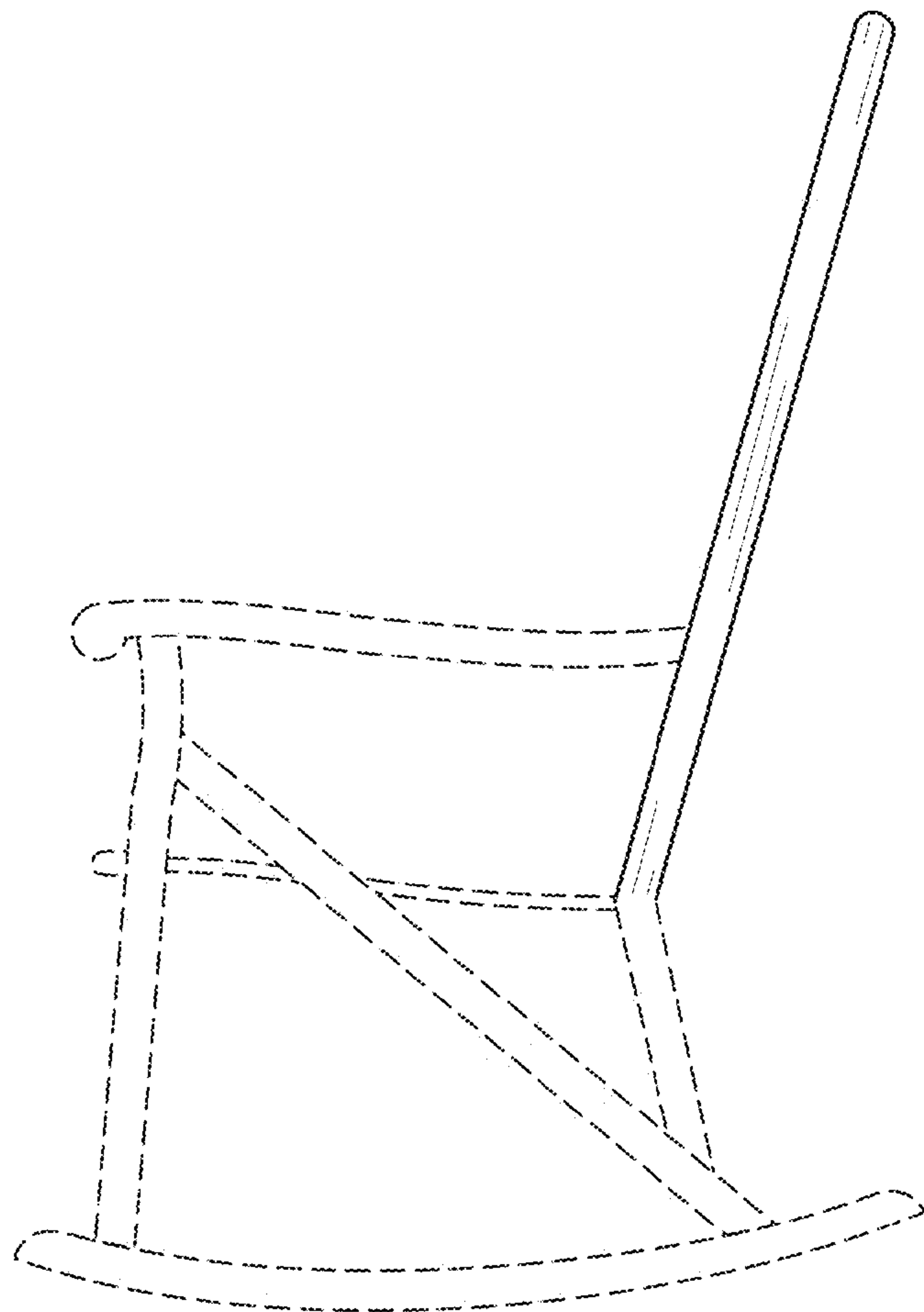


FIG. 23





*FIG. 24*



*FIG. 25*

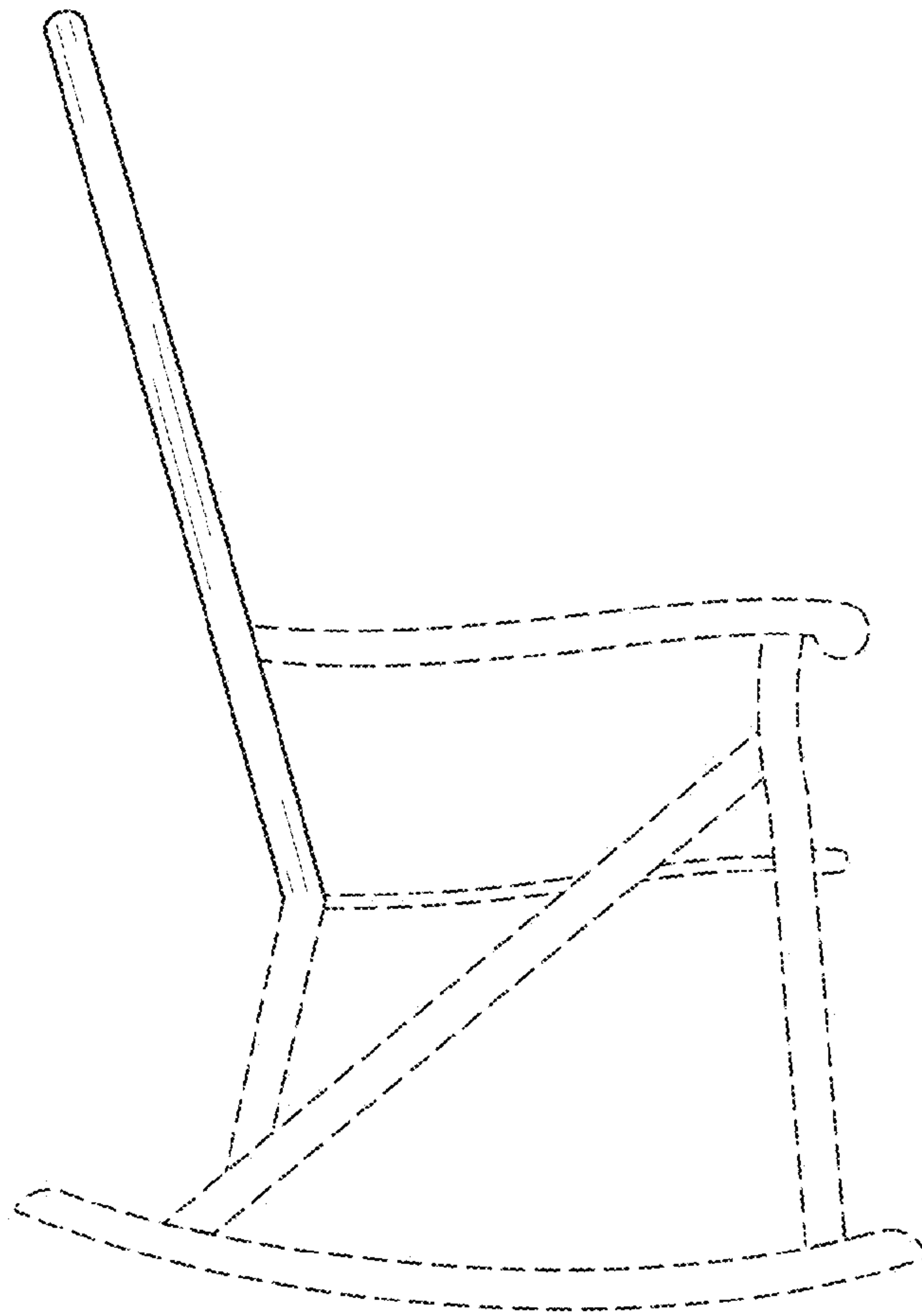


FIG. 26

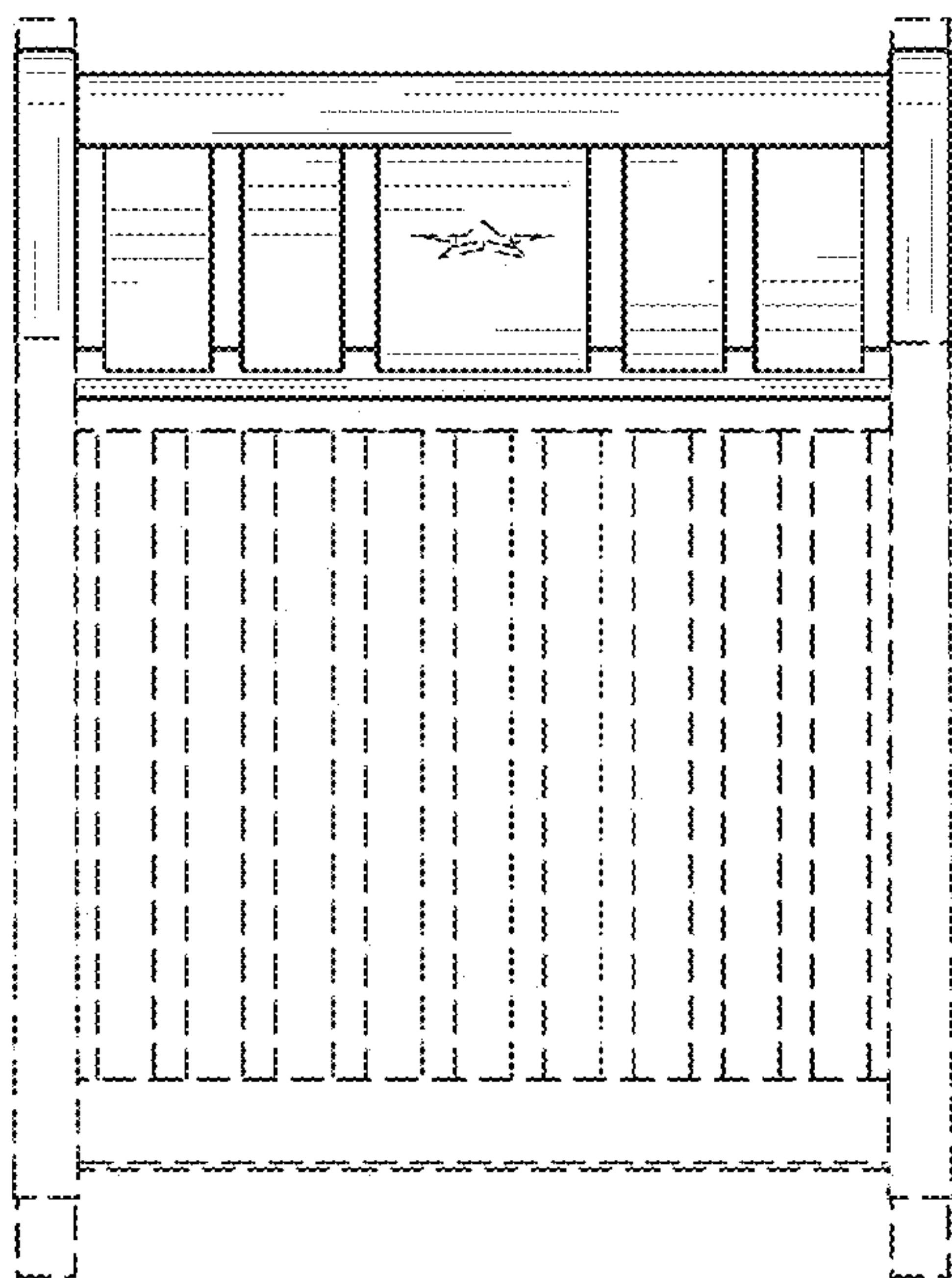


FIG. 27

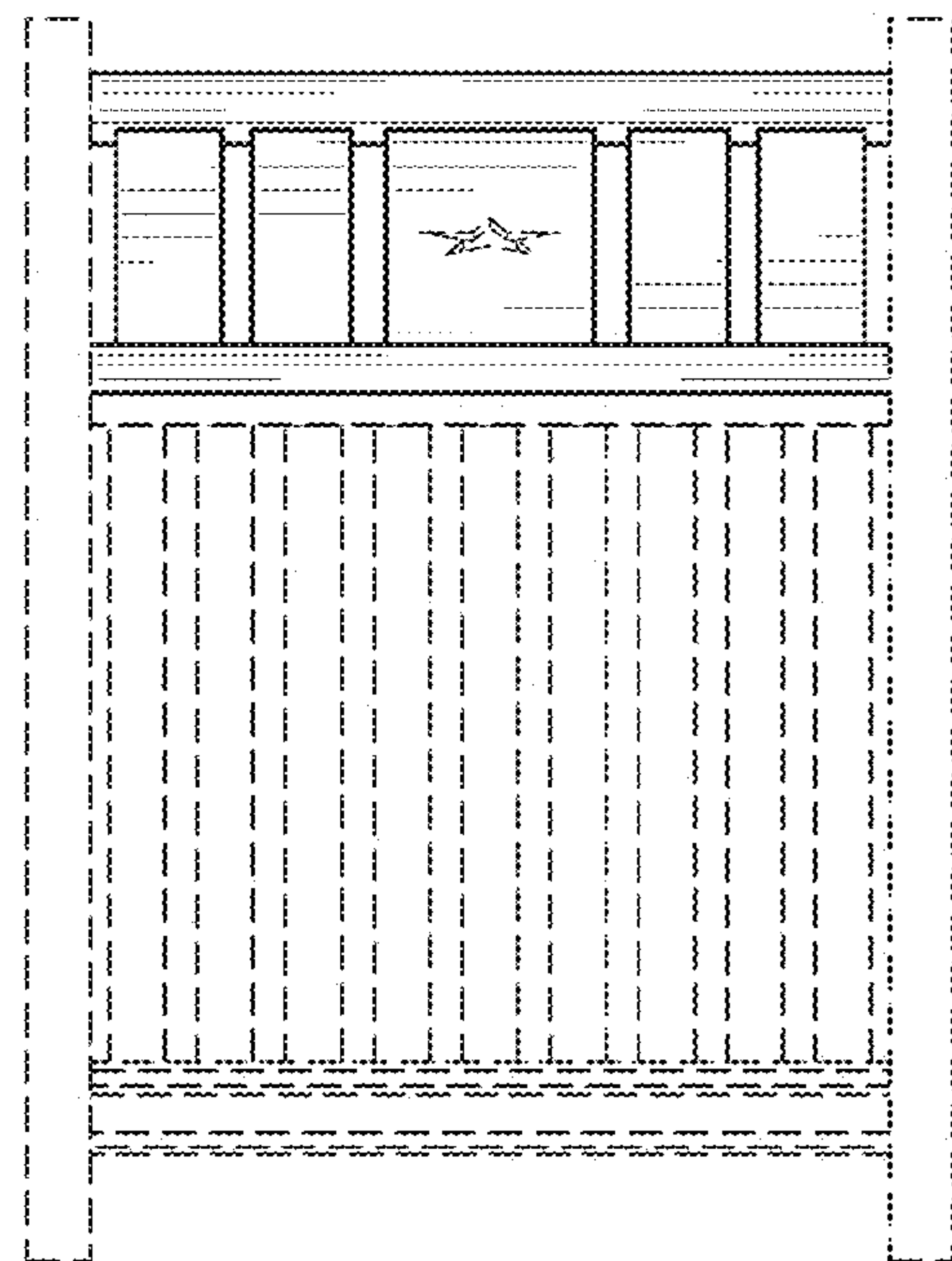


FIG. 28