



US00D935826S

(12) **United States Design Patent** (10) **Patent No.:** **US D935,826 S**
Lee (45) **Date of Patent:** **** Nov. 16, 2021**

(54) **CHAIR BACK**

(71) Applicant: **JBL INTERNATIONAL, INC,**
Houston, TX (US)

(72) Inventor: **Lawrence K. Lee,** Houston, TX (US)

(**) Term: **15 Years**

(21) Appl. No.: **29/724,251**

(22) Filed: **Feb. 13, 2020**

(51) **LOC (13) Cl.** **06-01**

(52) **U.S. Cl.**

USPC **D6/716.4;** D6/348

(58) **Field of Classification Search**

USPC D6/334-336, 348, 369, 370, 371, 372,
D6/373, 374, 375, 379, 716, 716.1, 716.2,
D6/716.3, 716.4

CPC A47C 3/02; A47C 3/025; A47C 3/027;
A47C 3/029; A47C 4/02; A47C 4/03;
A47C

(Continued)

(56) **References Cited**

U.S. PATENT DOCUMENTS

D36,771 S * 2/1904 Kellogg D6/369
D40,588 S * 3/1910 Voncanon D6/348
D43,442 S * 1/1913 Taylor D6/348

(Continued)

OTHER PUBLICATIONS

Hinkle Carrington 240 Slat Back Wood Patio Rocking Chair, from hayneedle.com, Retrieved Date: Aug. 9, 2021, p. 1, from https://www.hayneedle.com/product/hinklecarrington240slatbackwoodpatiorockingchair.cfm?0level03&tid=HKL072-2&adtype=pla&kw=&&g_acctid=933-667-2123&g_campaign=Outdoor&g_campaignid=12578218507&g_adgroupid=120070792316&g_adid=509355802941&g_keyword=&g_keywordid=pla1286708902009&g_adtype=pla&g_merchantid=5643243&g_productchannel=online&g_productid=HKL0722&g_partition=

1286708902009&g_network=g&g_ifproduct=product&g_ifcreative=&gclid=
EAlalQobChMlnNPmgYal8glVZMqzCh18Qgj5EAQYEiABEgLOSPD_
BwE&gclsrc=aw.ds (Year: 2021).*

Primary Examiner — Mimosa De

(74) *Attorney, Agent, or Firm* — Egbert, McDaniel & Swartz, PLLC

(57) **CLAIM**

The ornamental design for a chair back, as shown and described.

DESCRIPTION

FIG. 1 is a perspective view of a first embodiment of a chair back showing my new design.

FIG. 2 is a front view thereof;

FIG. 3 is a rear view thereof;

FIG. 4 is a side view thereof;

FIG. 5 is an opposite side view thereof;

FIG. 6 is a top view thereof;

FIG. 7 is a bottom view thereof;

FIG. 8 is a perspective view of a second embodiment thereof;

FIG. 9 is a front view of FIG. 8;

FIG. 10 is a rear view of FIG. 8;

FIG. 11 is a side view of FIG. 8;

FIG. 12 is an opposite side view of FIG. 8;

FIG. 13 is a top view of FIG. 8;

FIG. 14 is a bottom view of FIG. 8;

FIG. 15 is a perspective view of a third embodiment thereof;

FIG. 16 is a front view of FIG. 15;

FIG. 17 is a rear view of FIG. 15;

FIG. 18 is a side view of FIG. 15;

FIG. 19 is an opposite side view of FIG. 15;

FIG. 20 is a top view of FIG. 15;

FIG. 21 is a bottom view of FIG. 15;

FIG. 22 is a perspective view of a fourth embodiment thereof;

FIG. 23 is a front view of FIG. 22;

FIG. 24 is a rear view of FIG. 22;

FIG. 25 is a side view of FIG. 22;

FIG. 26 is an opposite side view of FIG. 22;

(Continued)

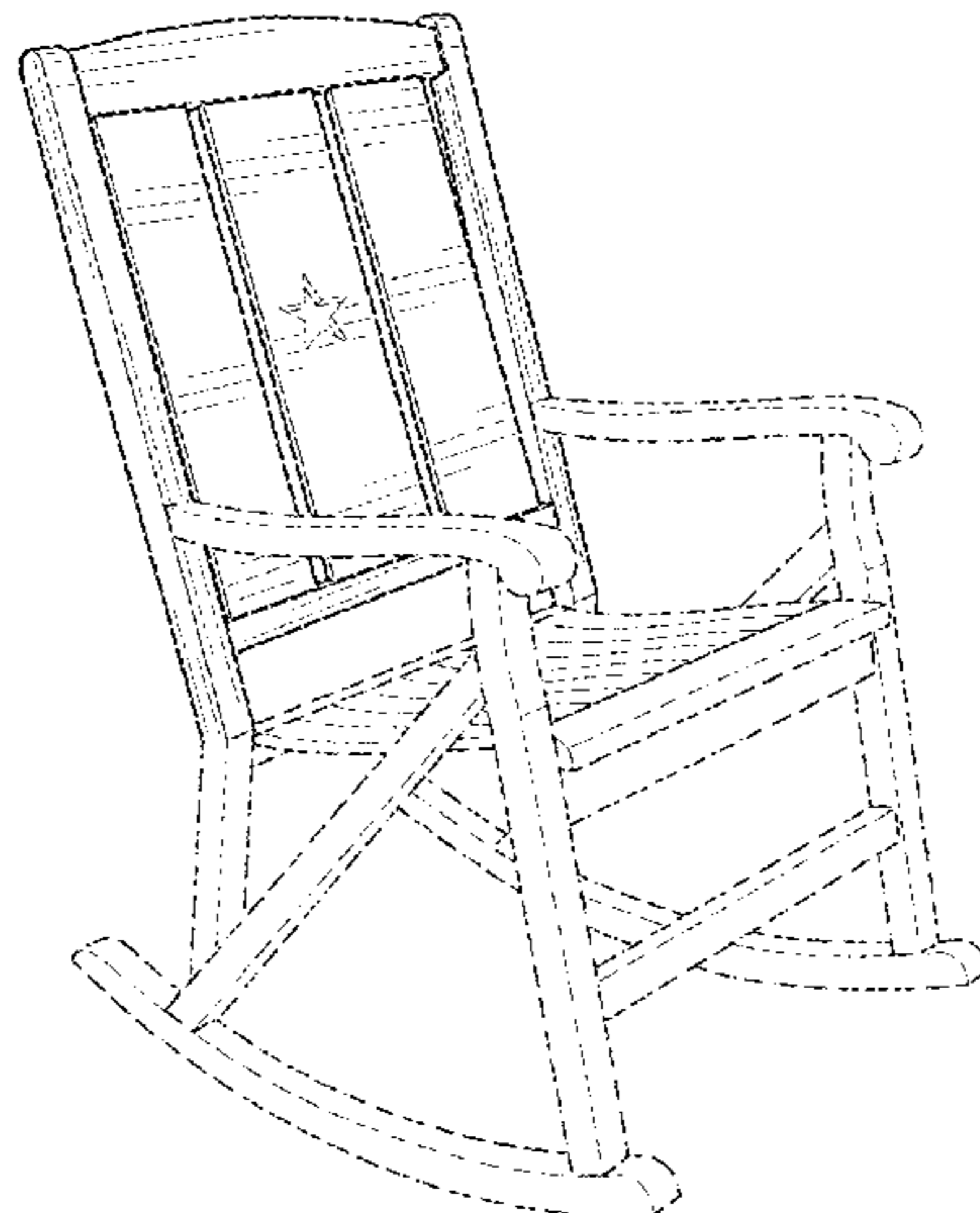
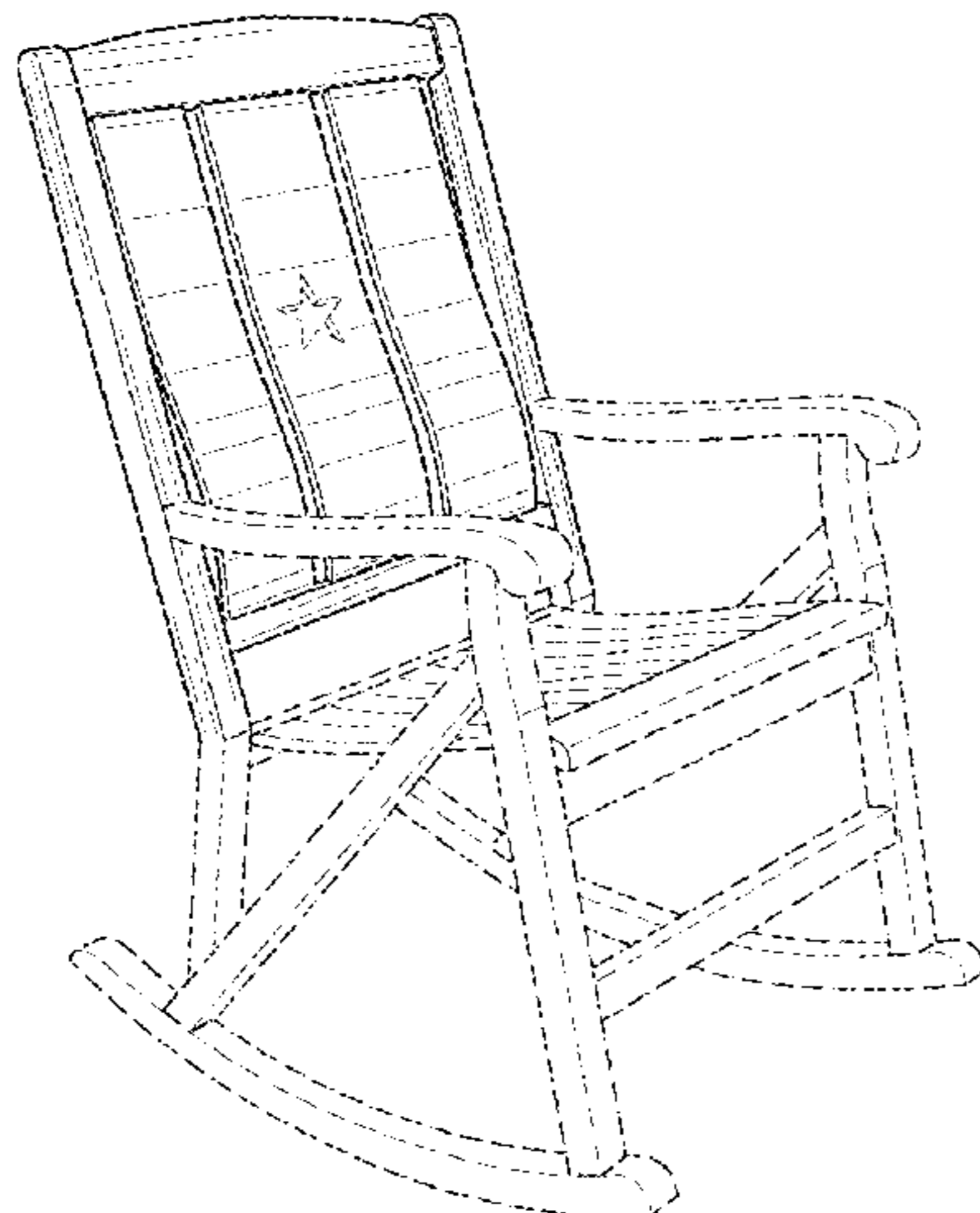


FIG. 27 is a top view of FIG. 22; and,
FIG. 28 is a bottom view of FIG. 22.

The broken line showings of the star shape in the drawings illustrate portions of the chair back that form no part of the claimed design. The broken line showing of the chair seat, base and arms illustrates the environment of the claimed design and forms no part thereof.

1 Claim, 12 Drawing Sheets

(58) **Field of Classification Search**

CPC . 4/08; A47C 5/046; A47C 7/16; A47C 4/024;
A47C 7/54

See application file for complete search history.

(56) **References Cited**

U.S. PATENT DOCUMENTS

D43,444 S *	1/1913	Taylor	D6/348
D70,495 S *	6/1926	Wurdack	D6/370
D313,320 S *	1/1991	Fisher	D6/348
D375,636 S *	11/1996	Arcese	D6/370
D502,608 S *	3/2005	Brown	D6/345
D511,420 S *	11/2005	Haralson	D6/370
D752,354 S *	3/2016	Fairbanks	D6/370
D825,211 S *	8/2018	Lee	D6/348
D899,113 S *	10/2020	Lee	D6/348

* cited by examiner

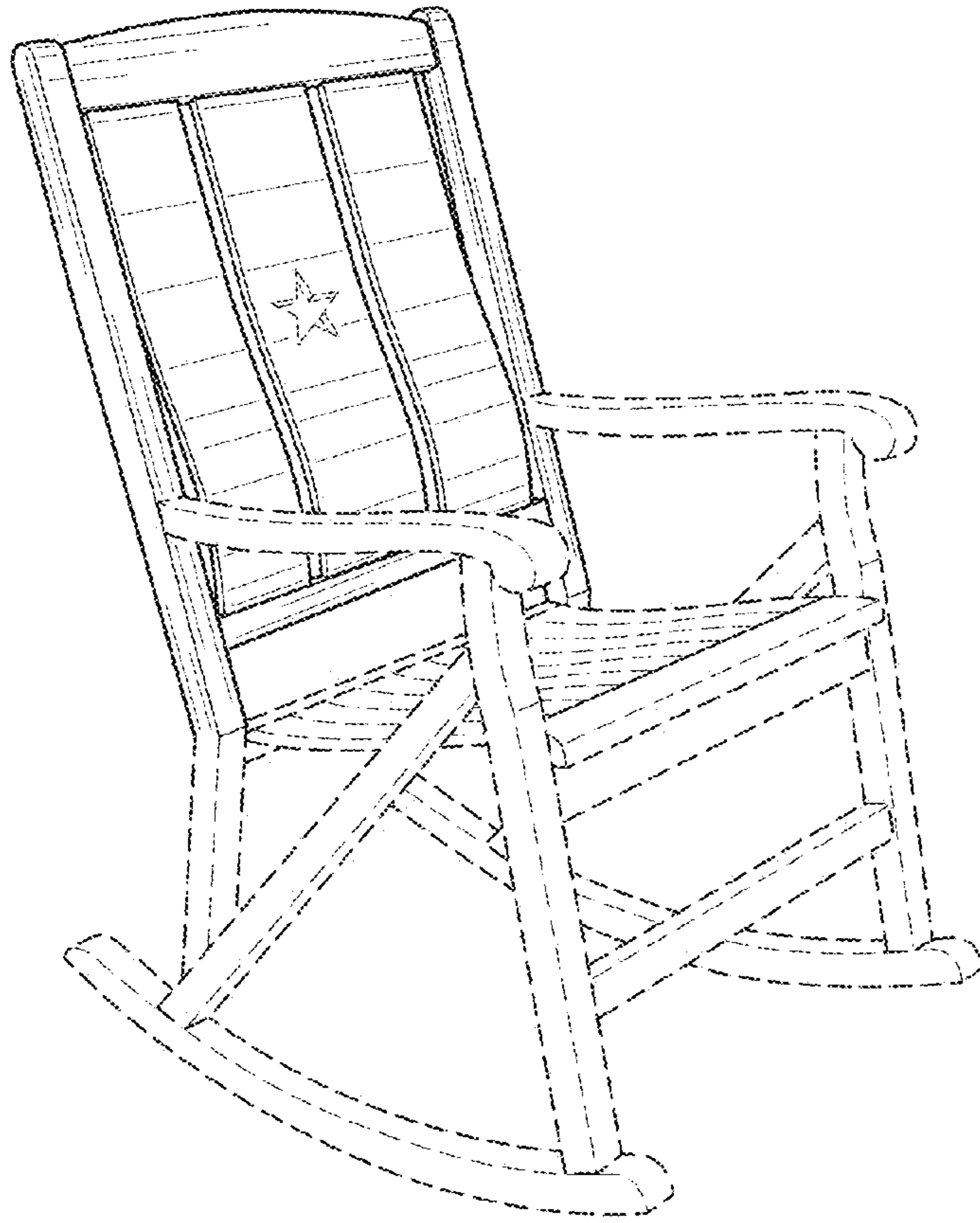


FIG. 1

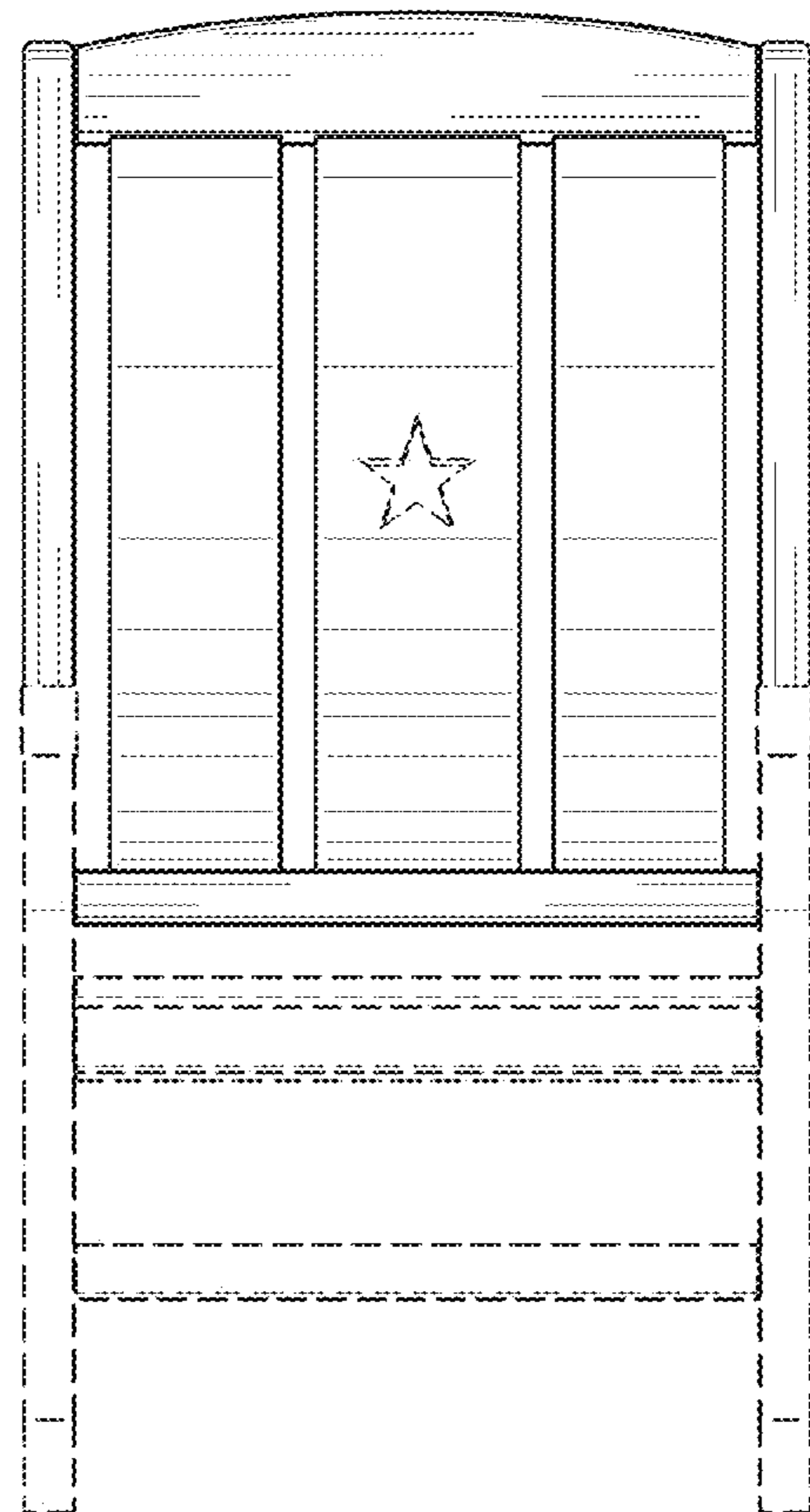


FIG. 2

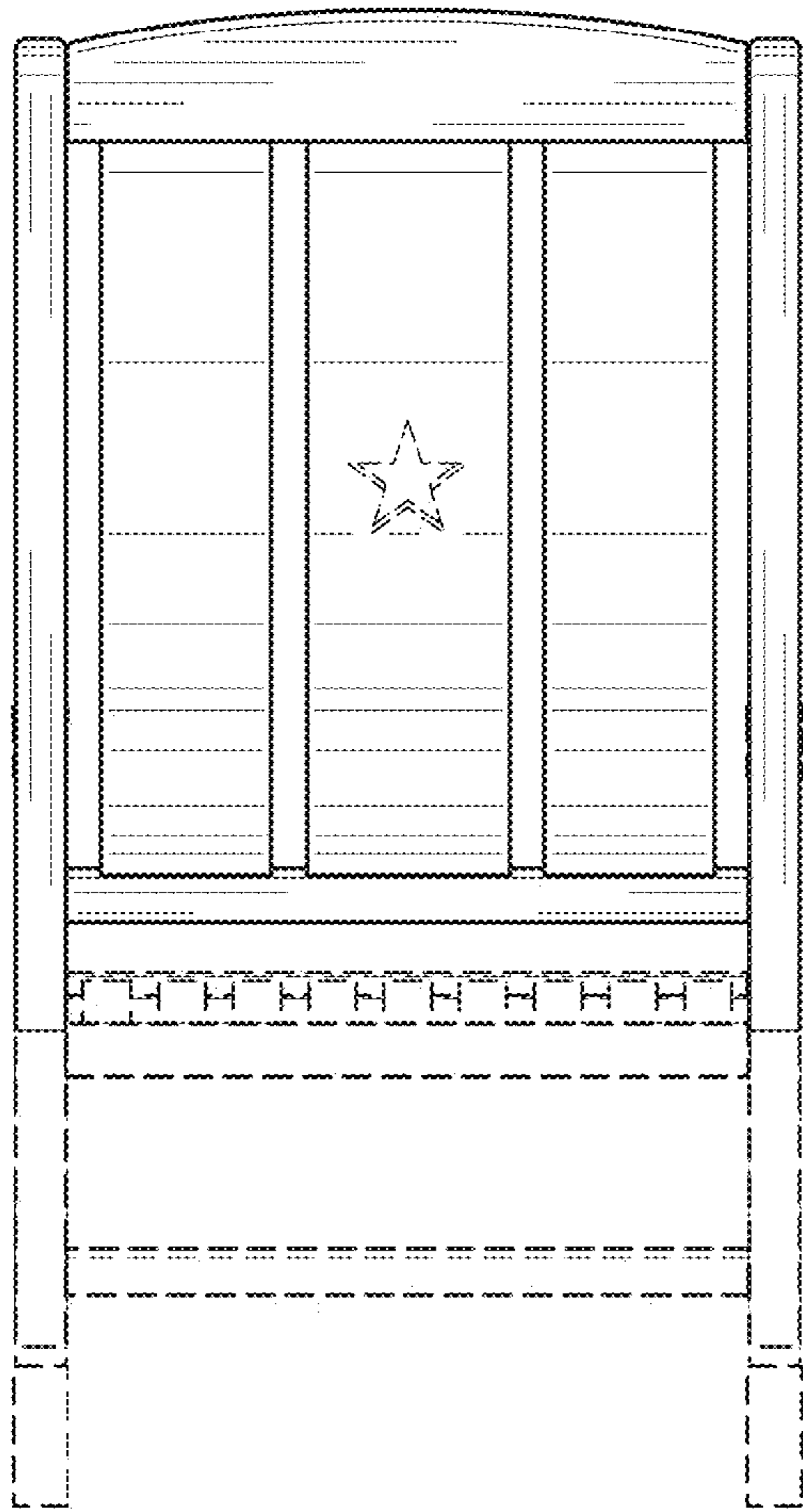


FIG. 3

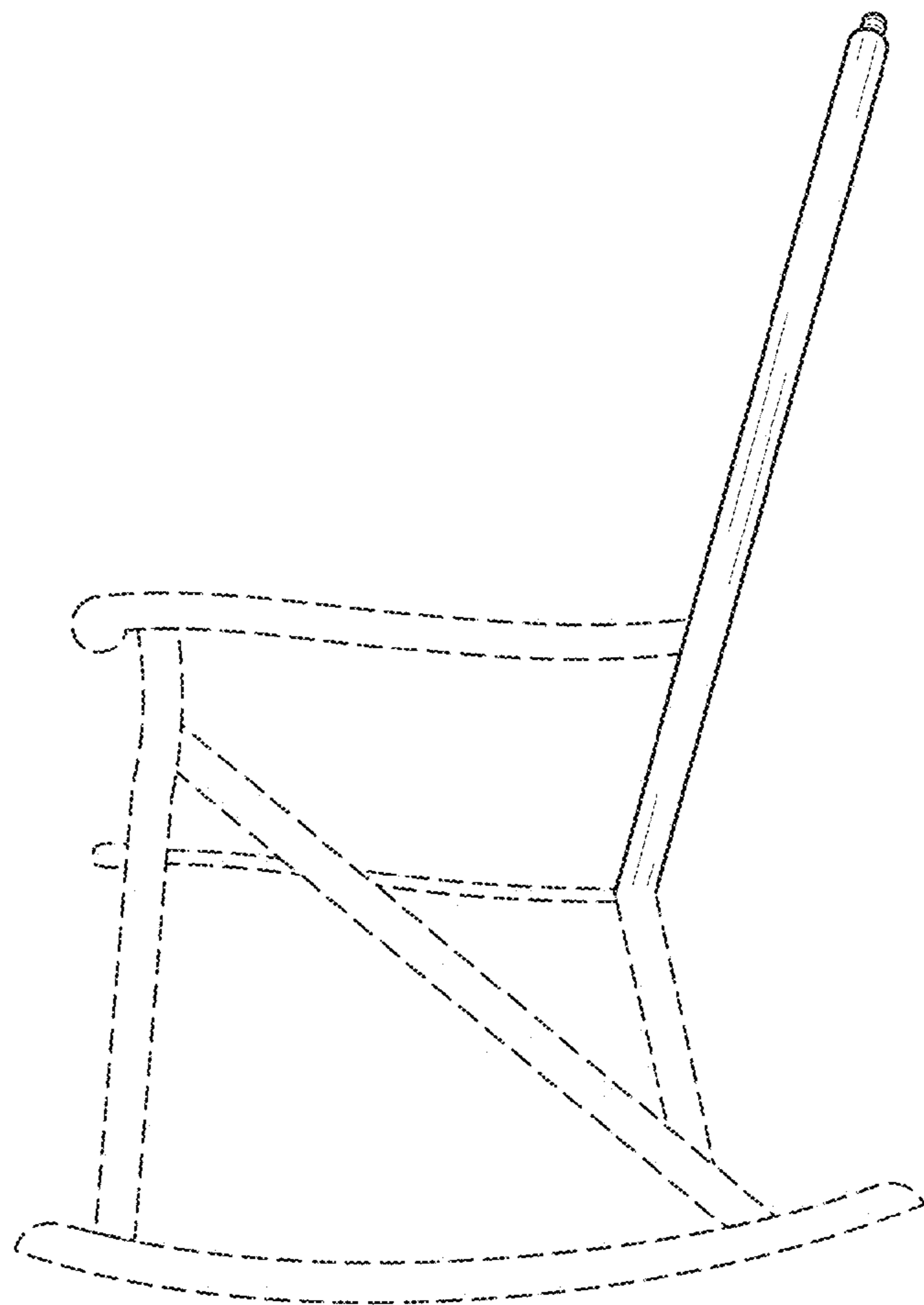


FIG. 4

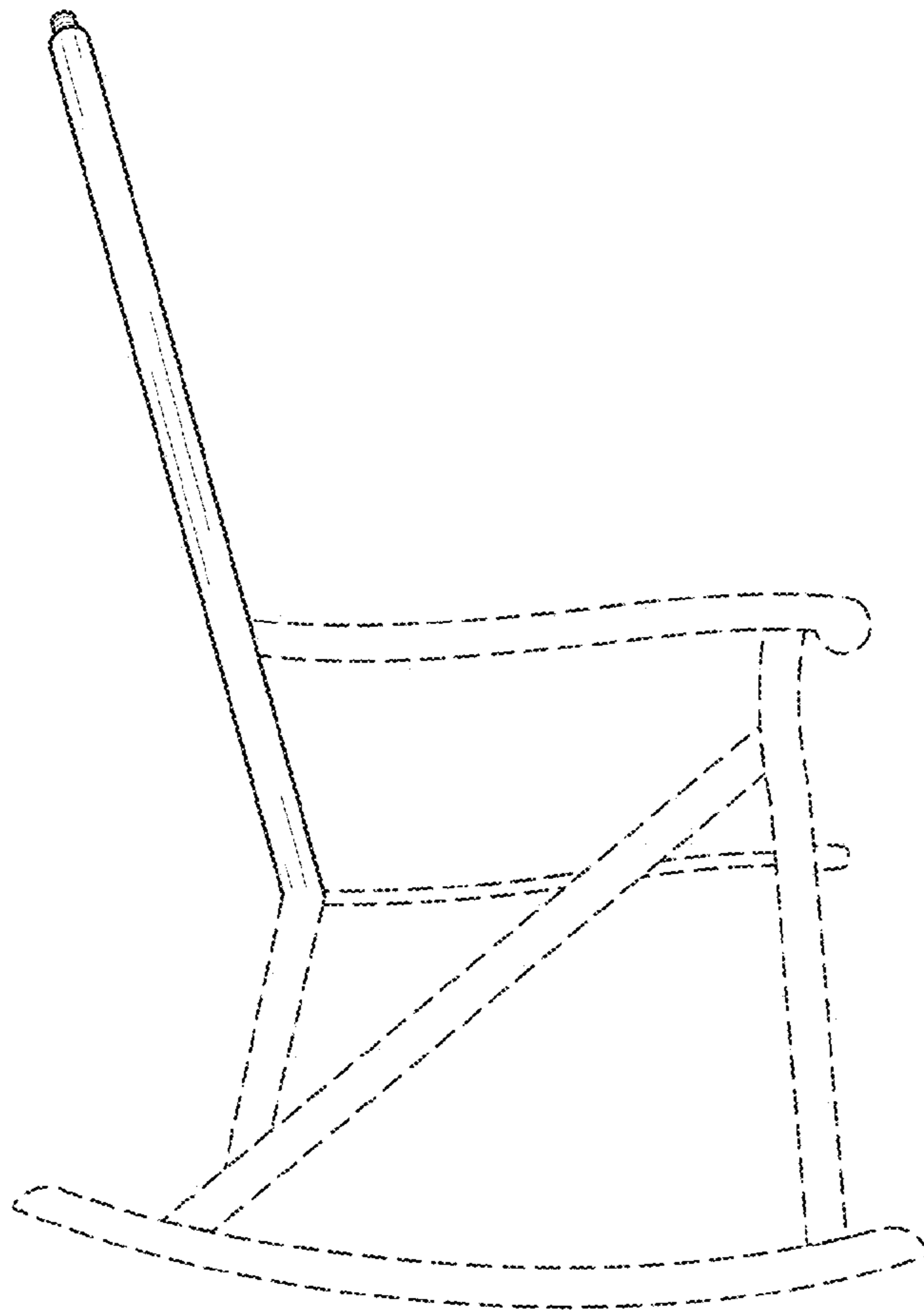


FIG. 5

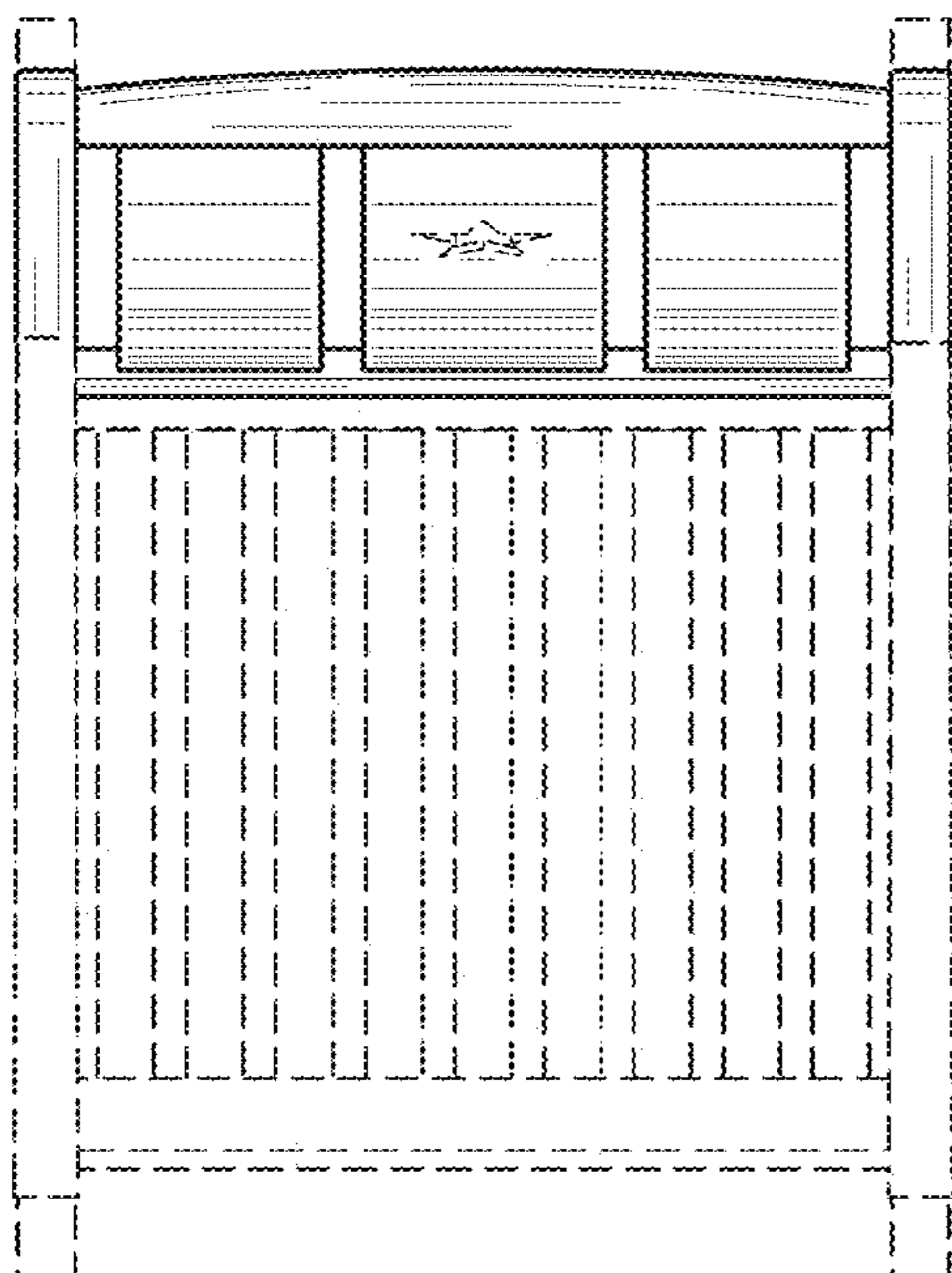


FIG. 6

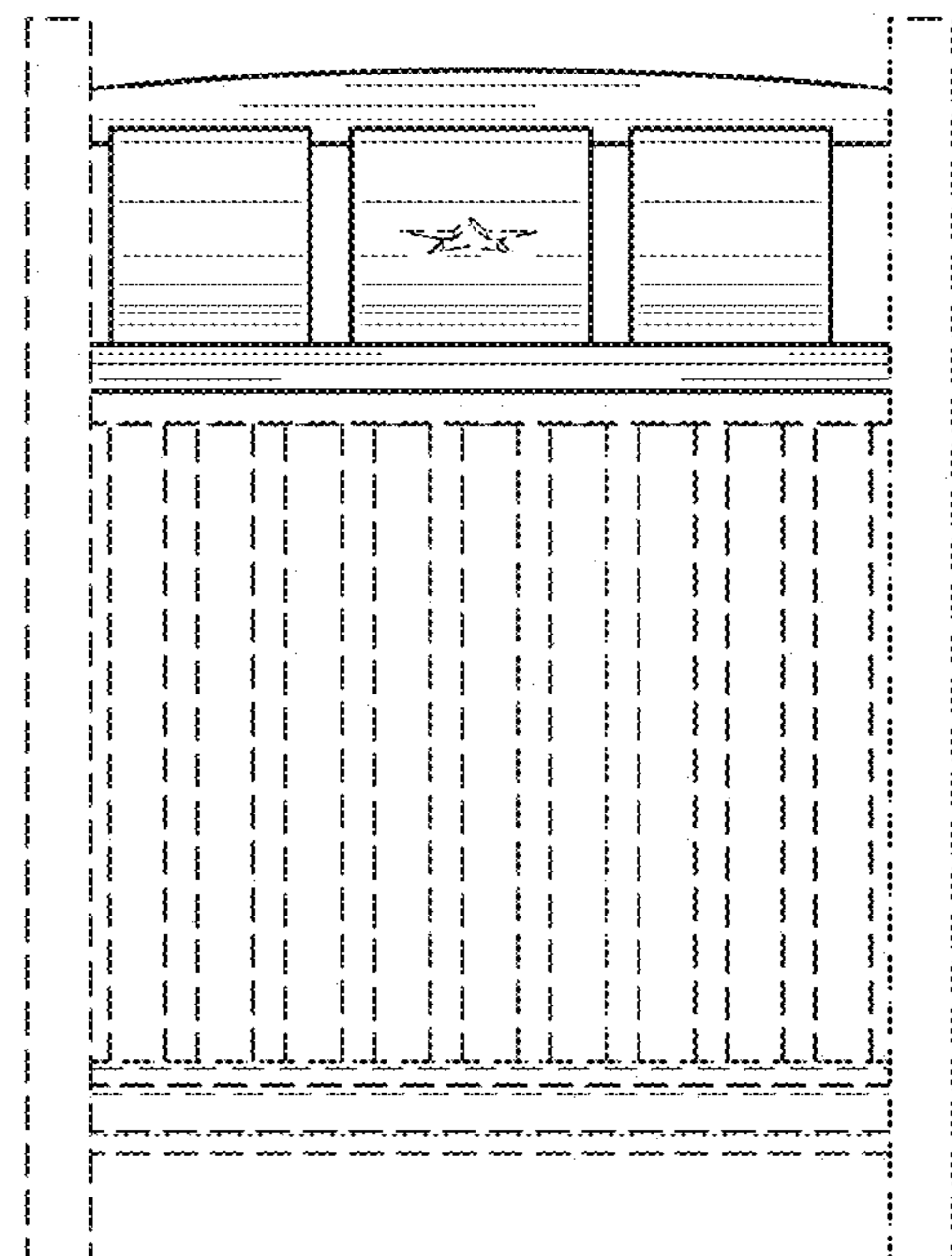


FIG. 7

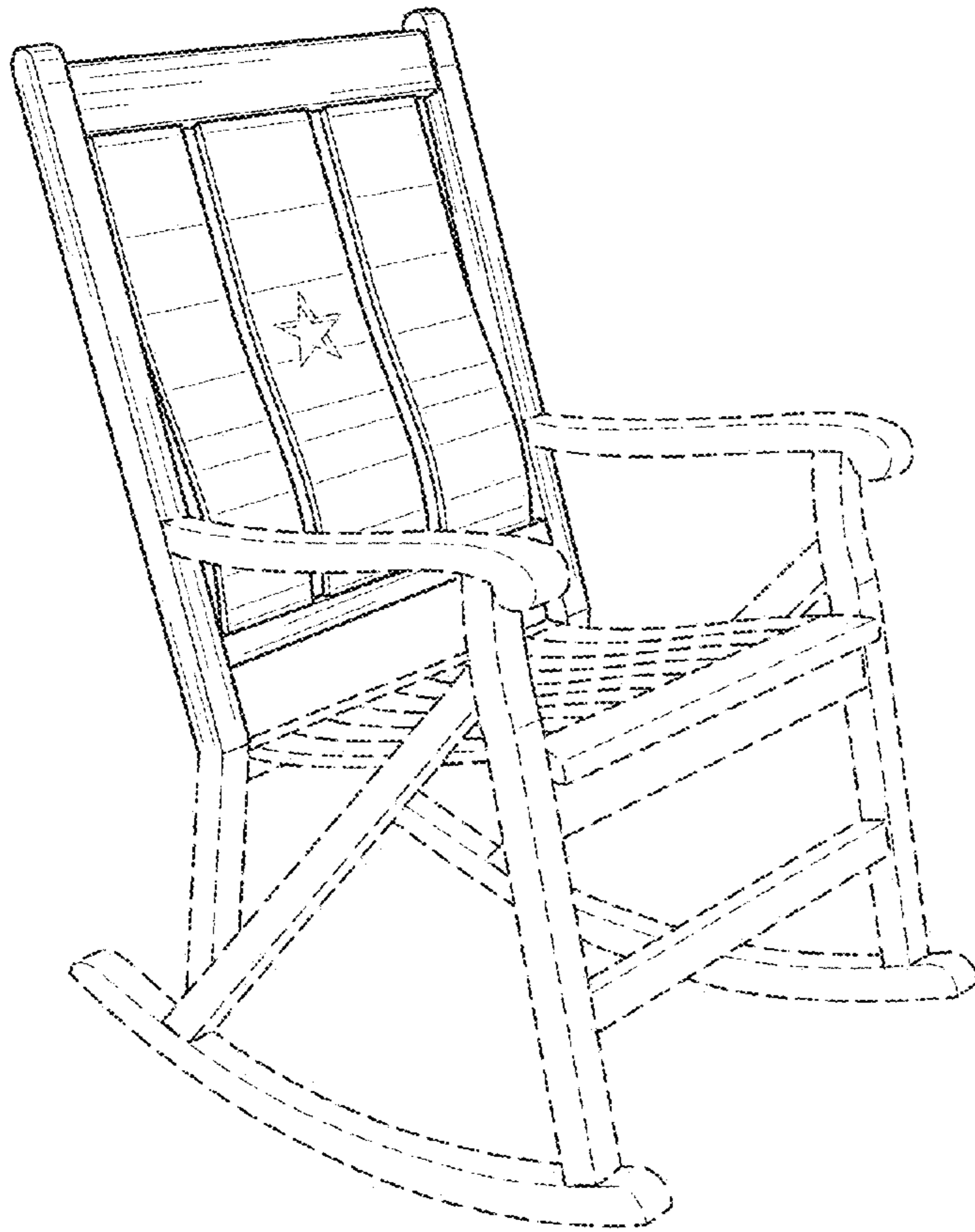


FIG. 8

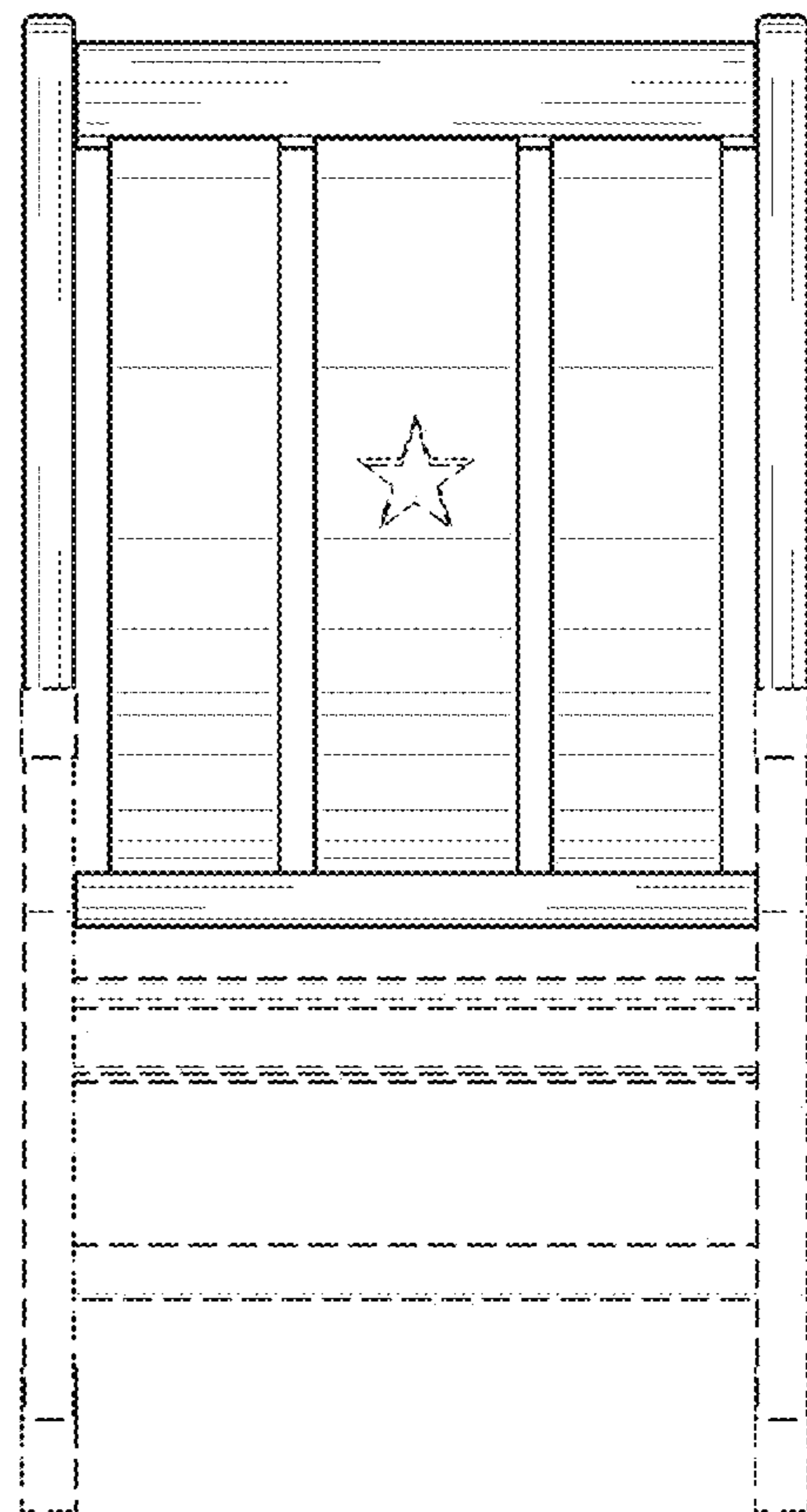


FIG. 9

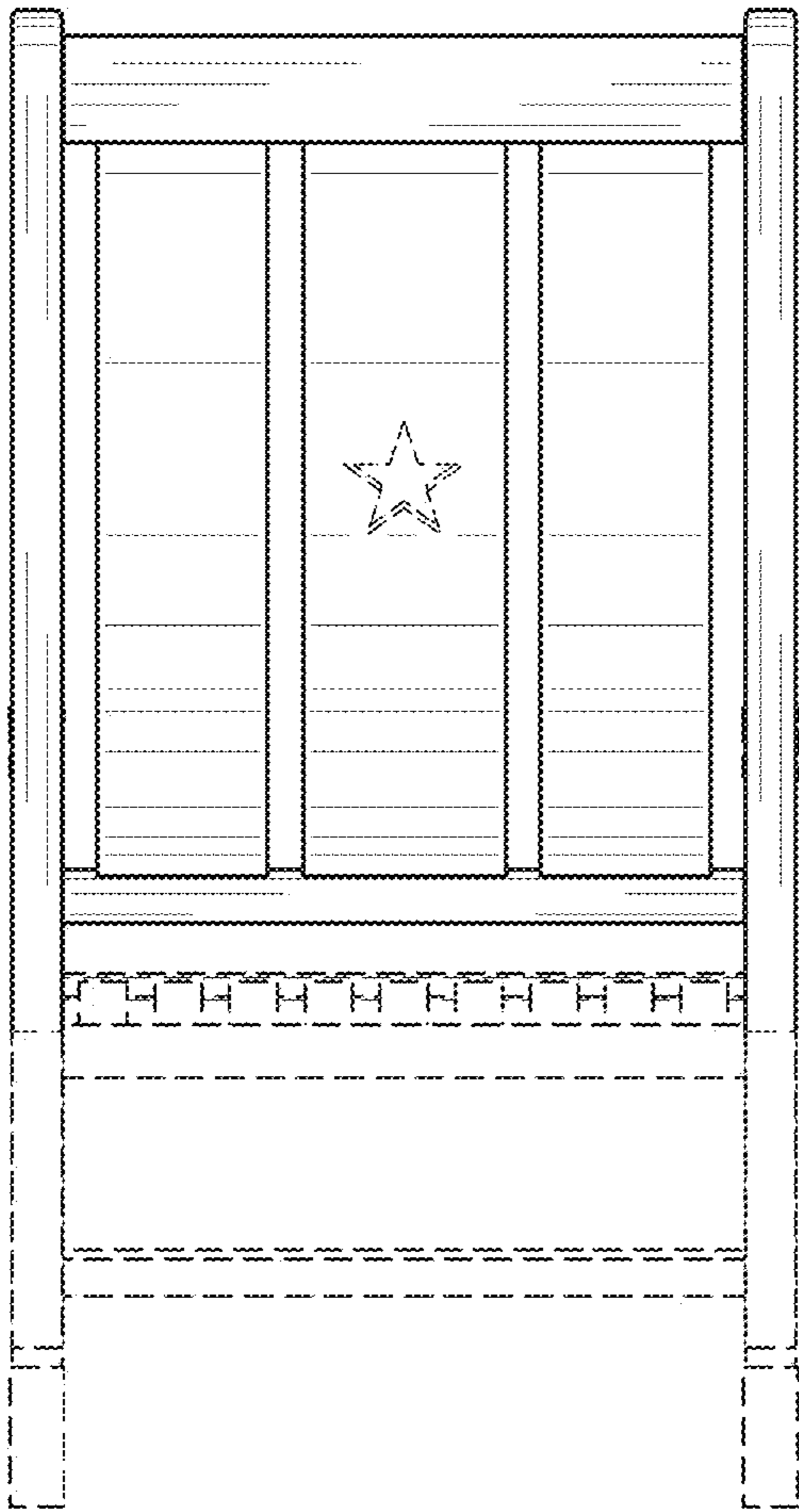


FIG. 10

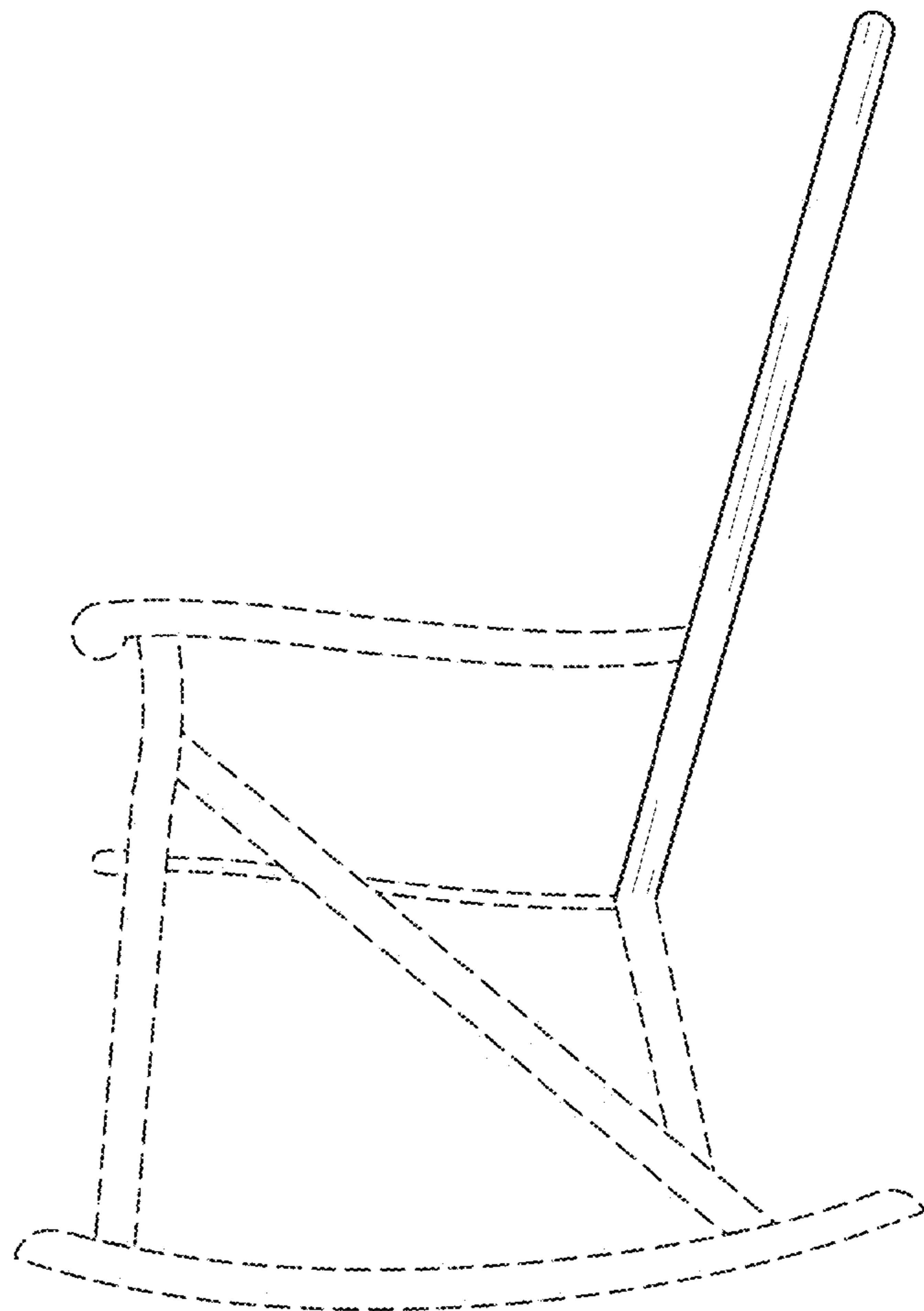


FIG. 11

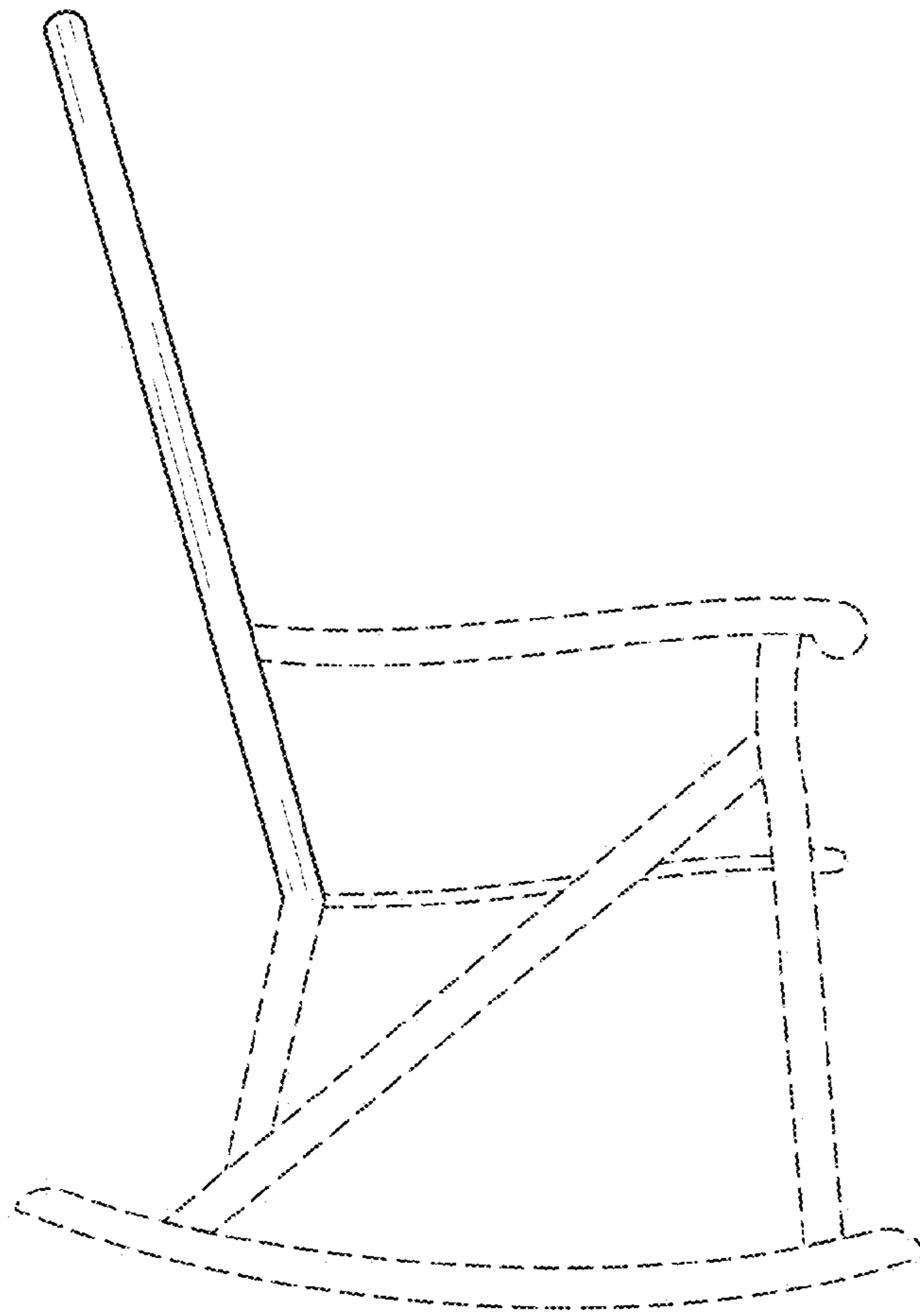


FIG. 12

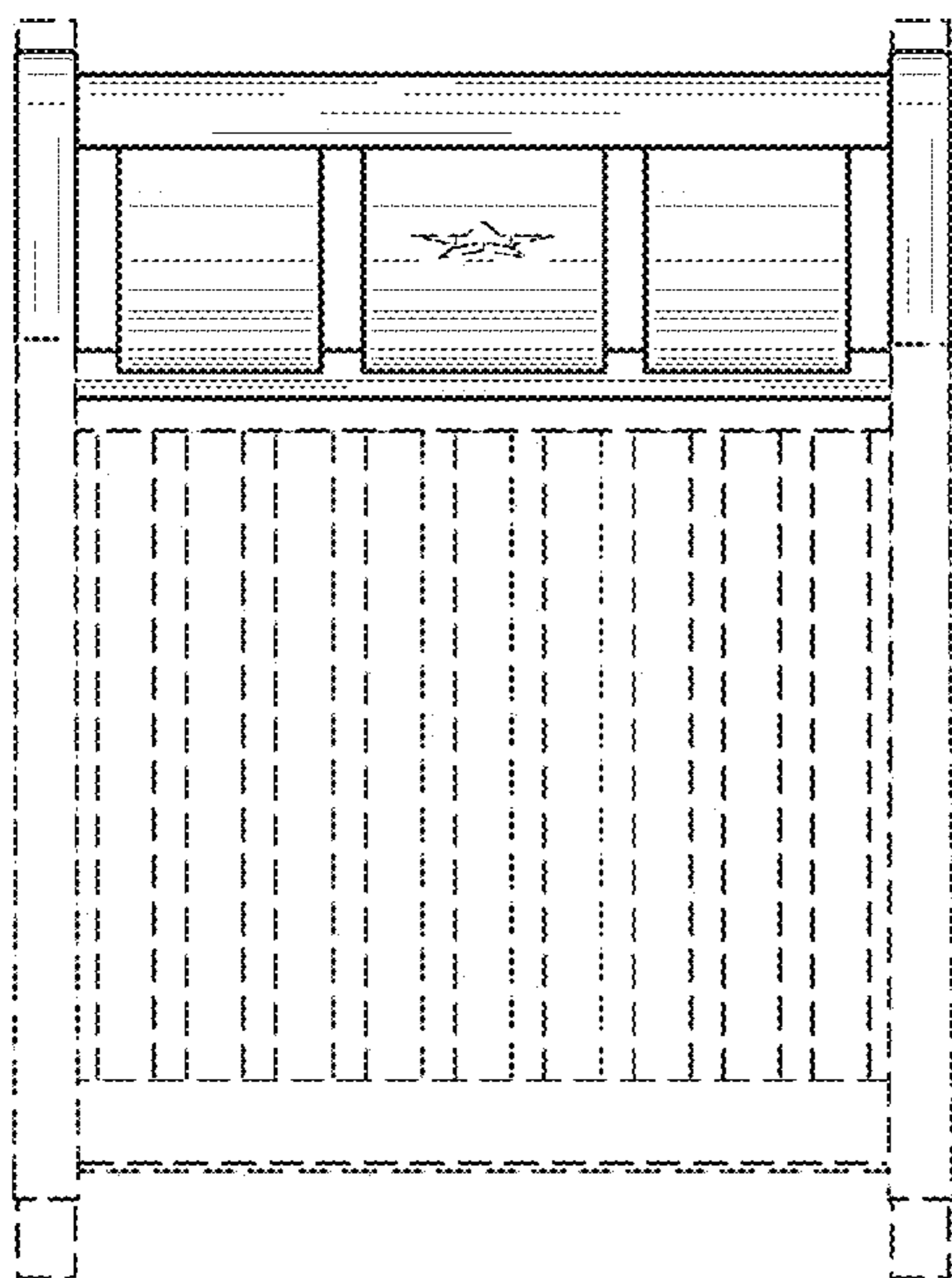


FIG. 13

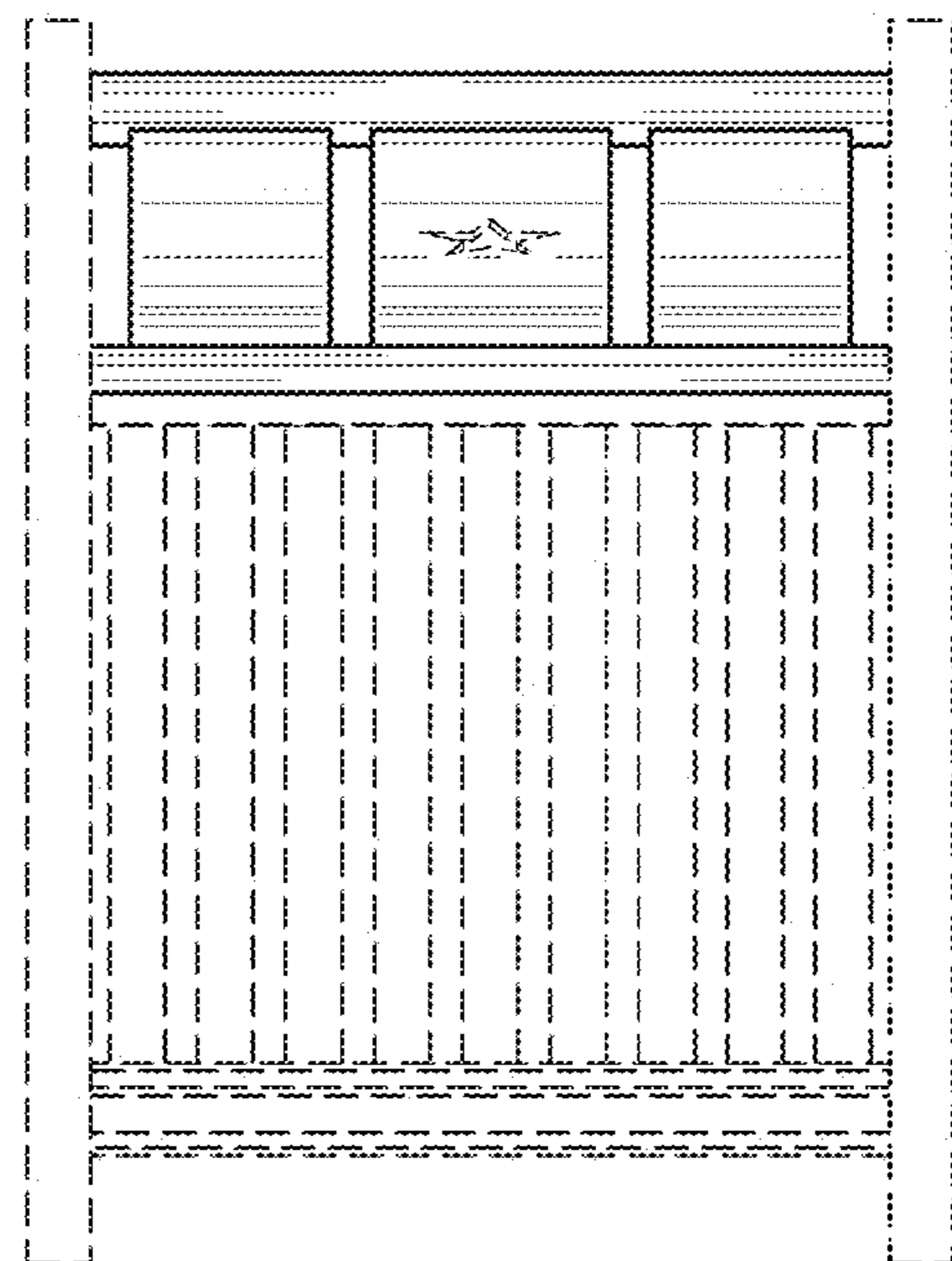


FIG. 14

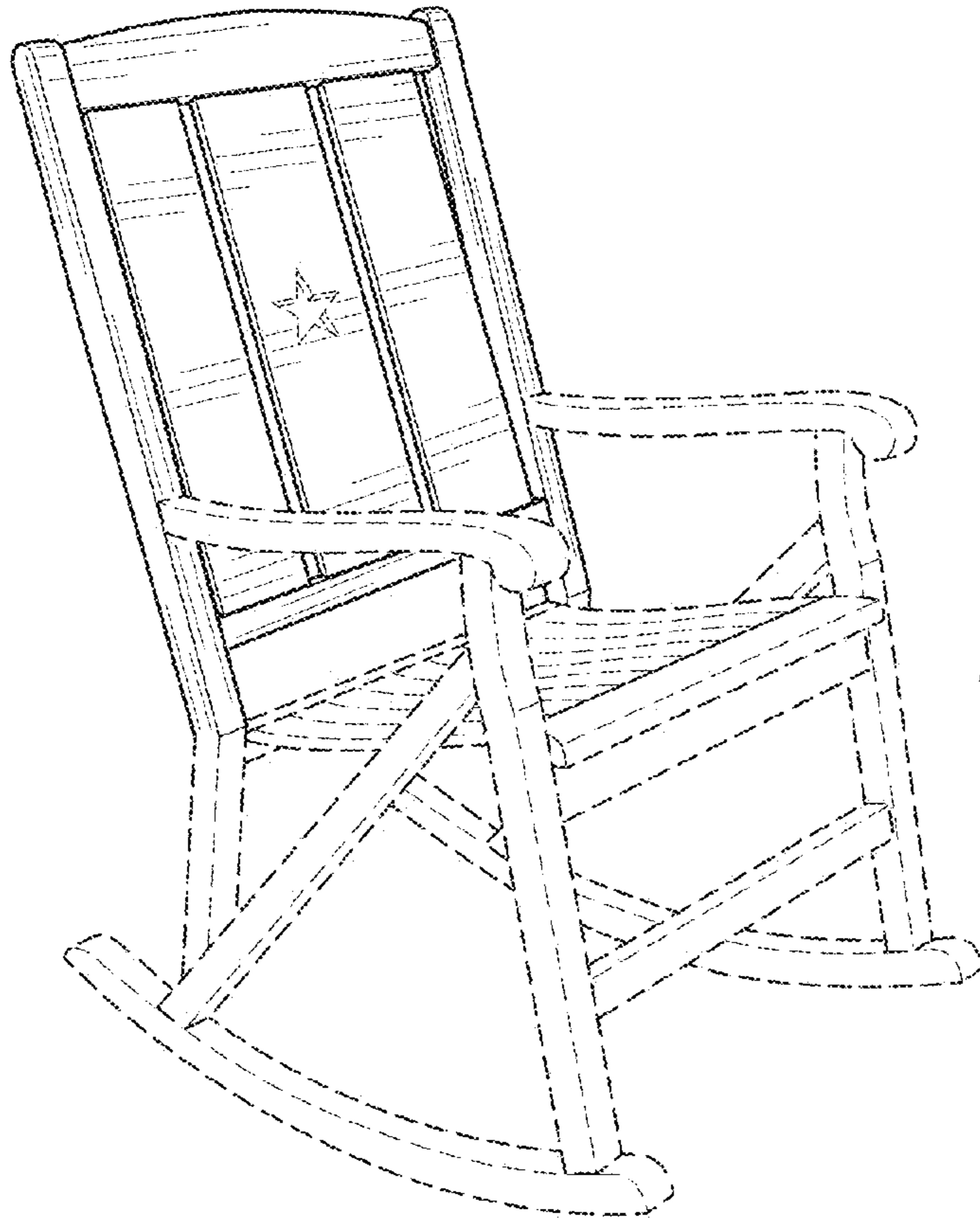


FIG. 15

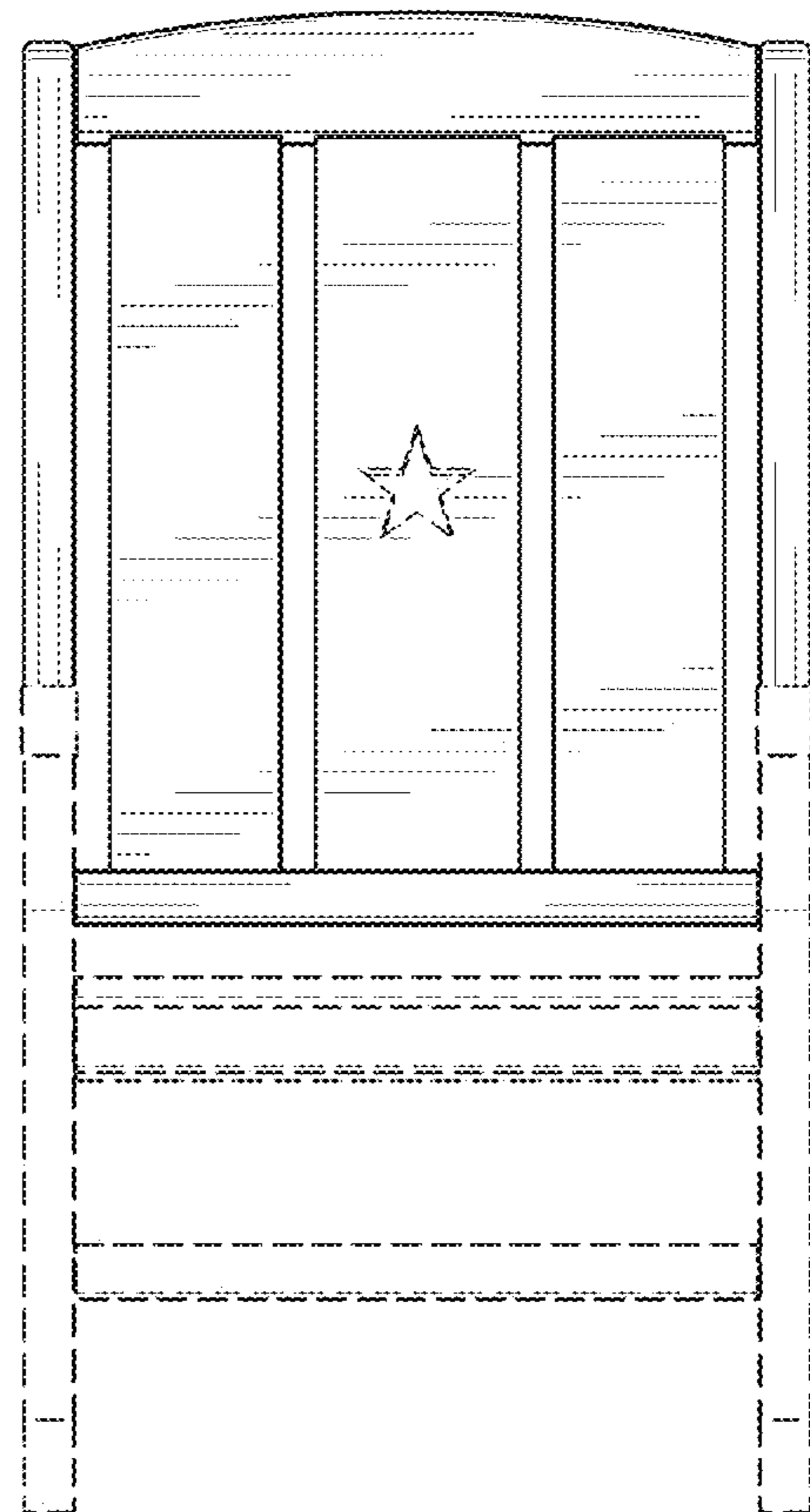


FIG. 16

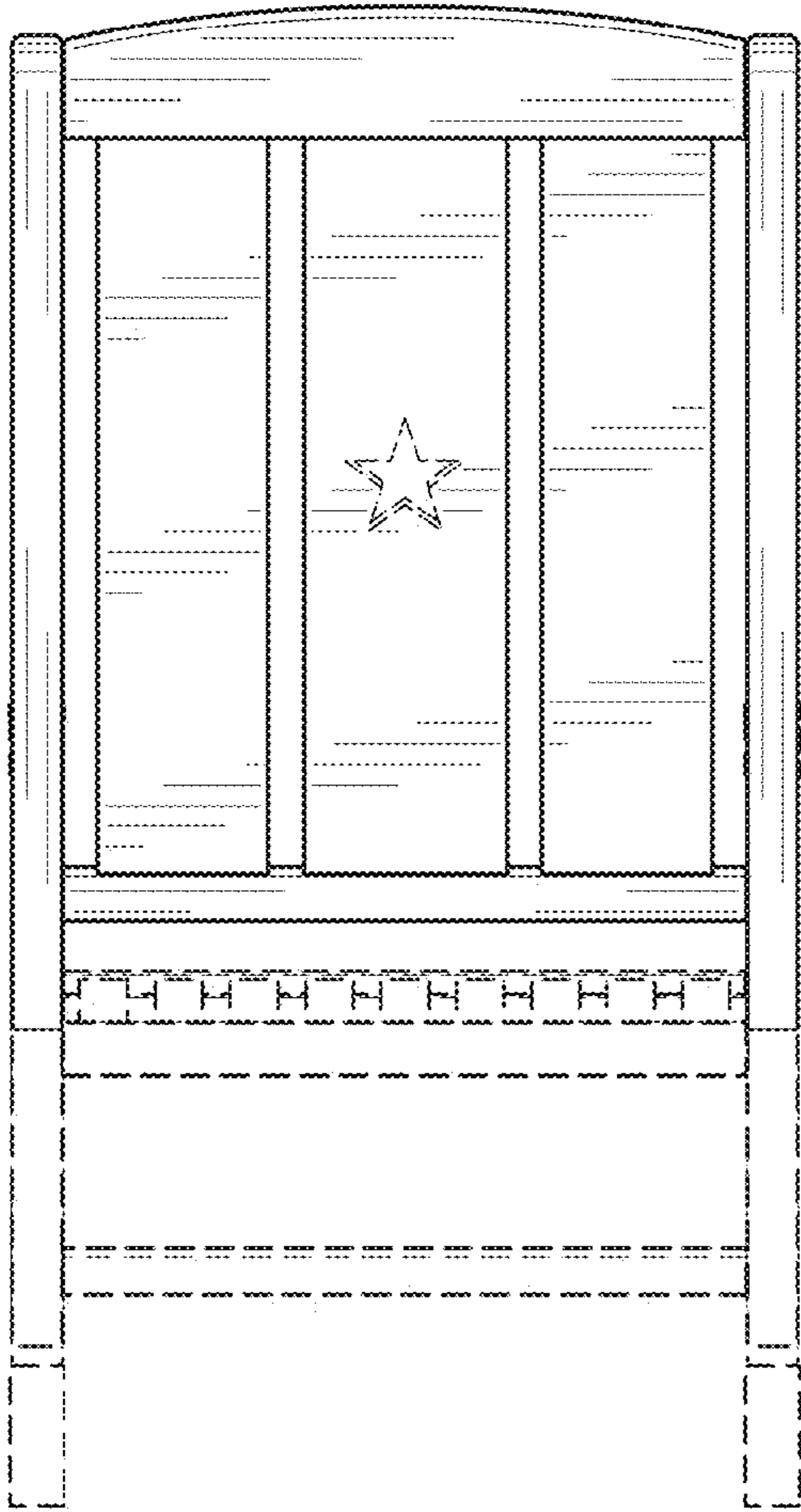


FIG. 17

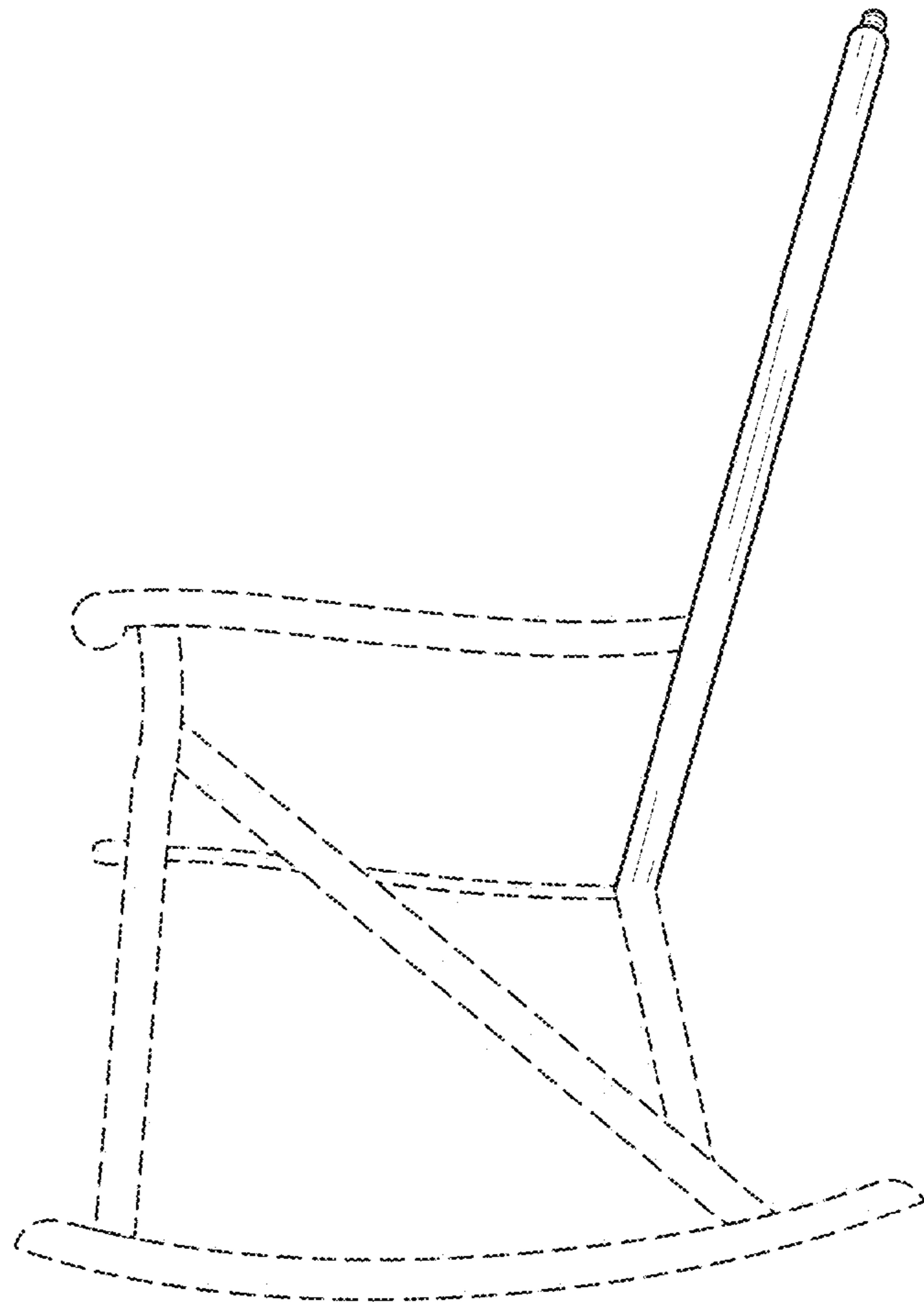


FIG. 18

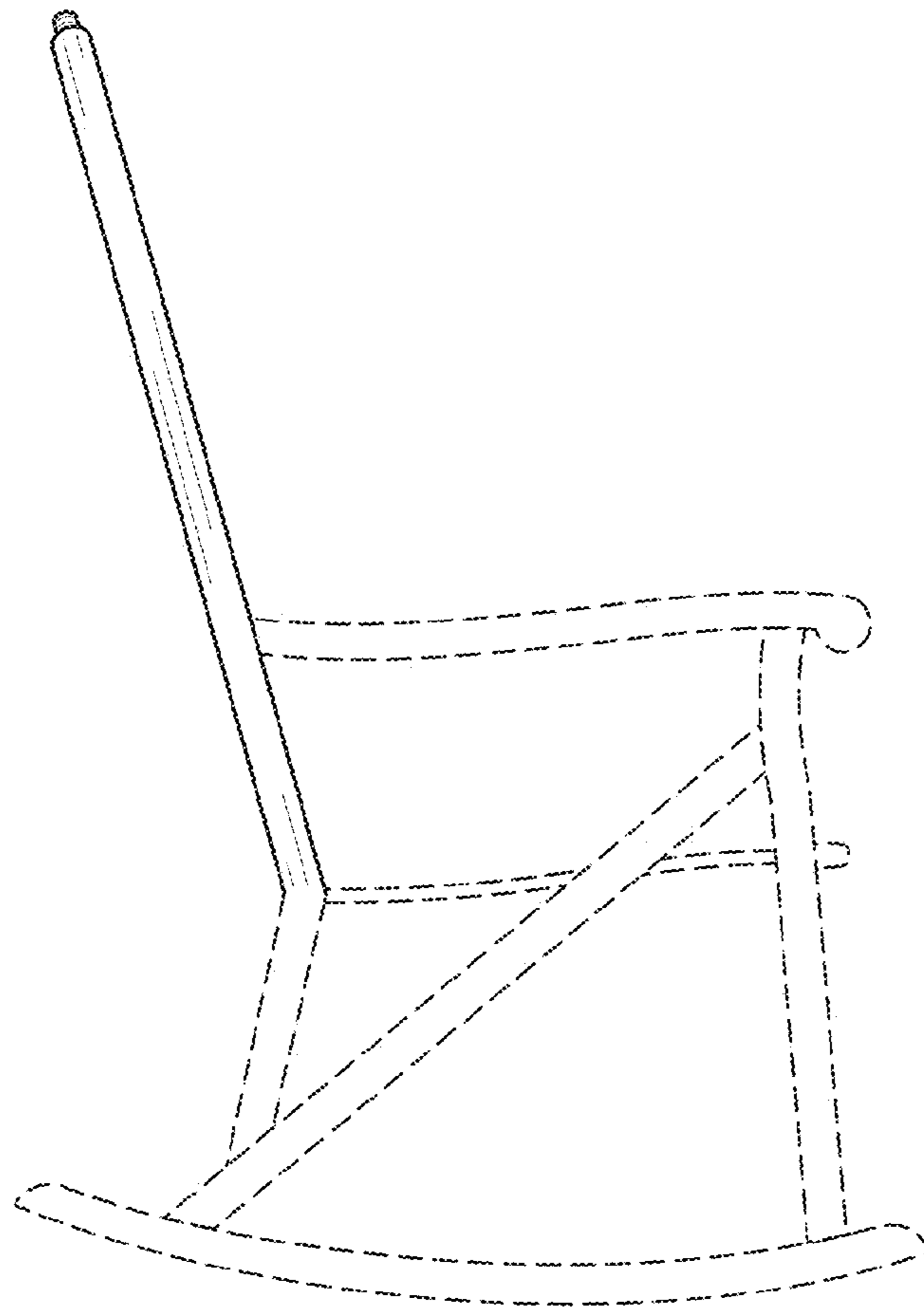


FIG. 19

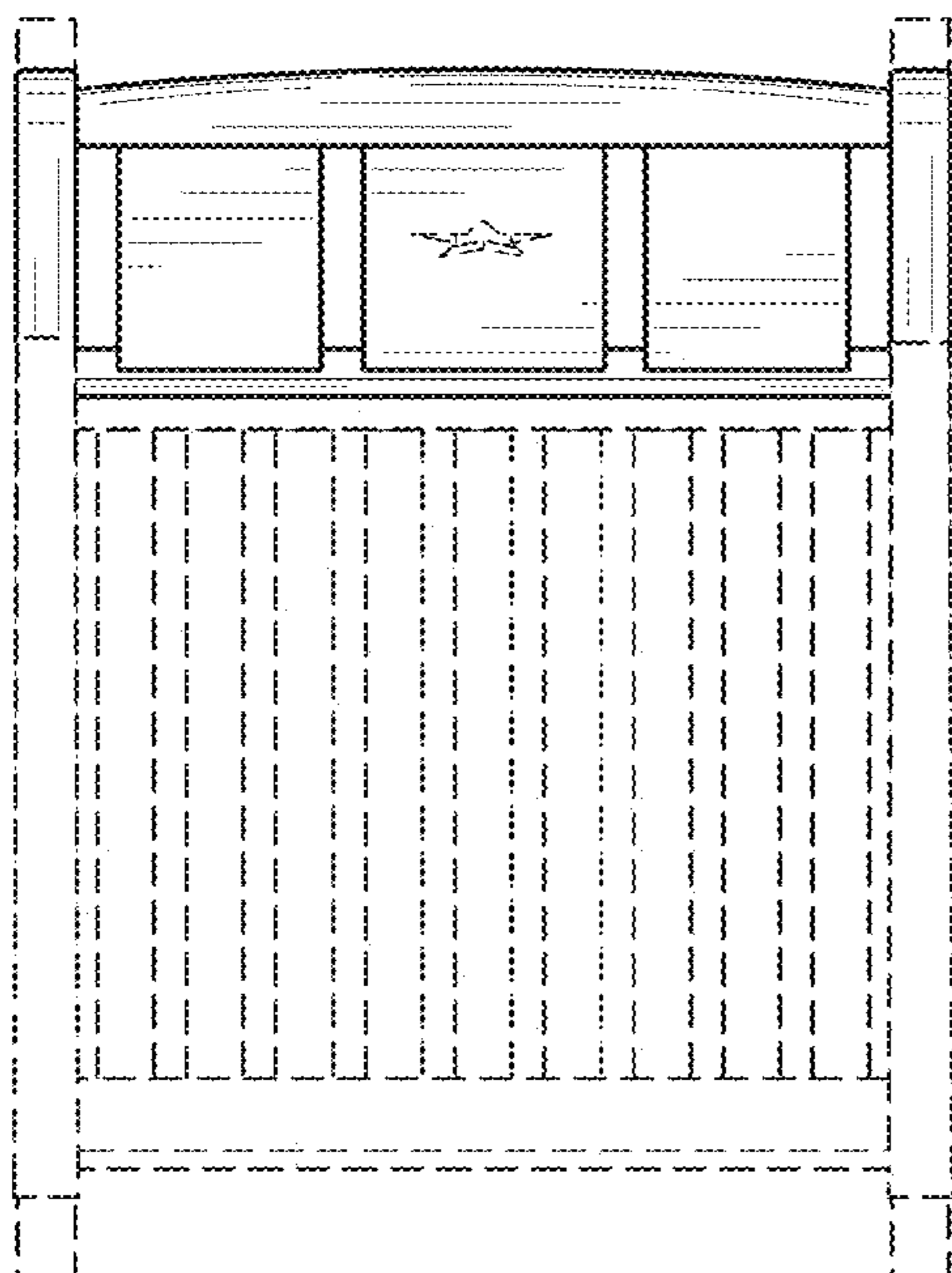


FIG. 20

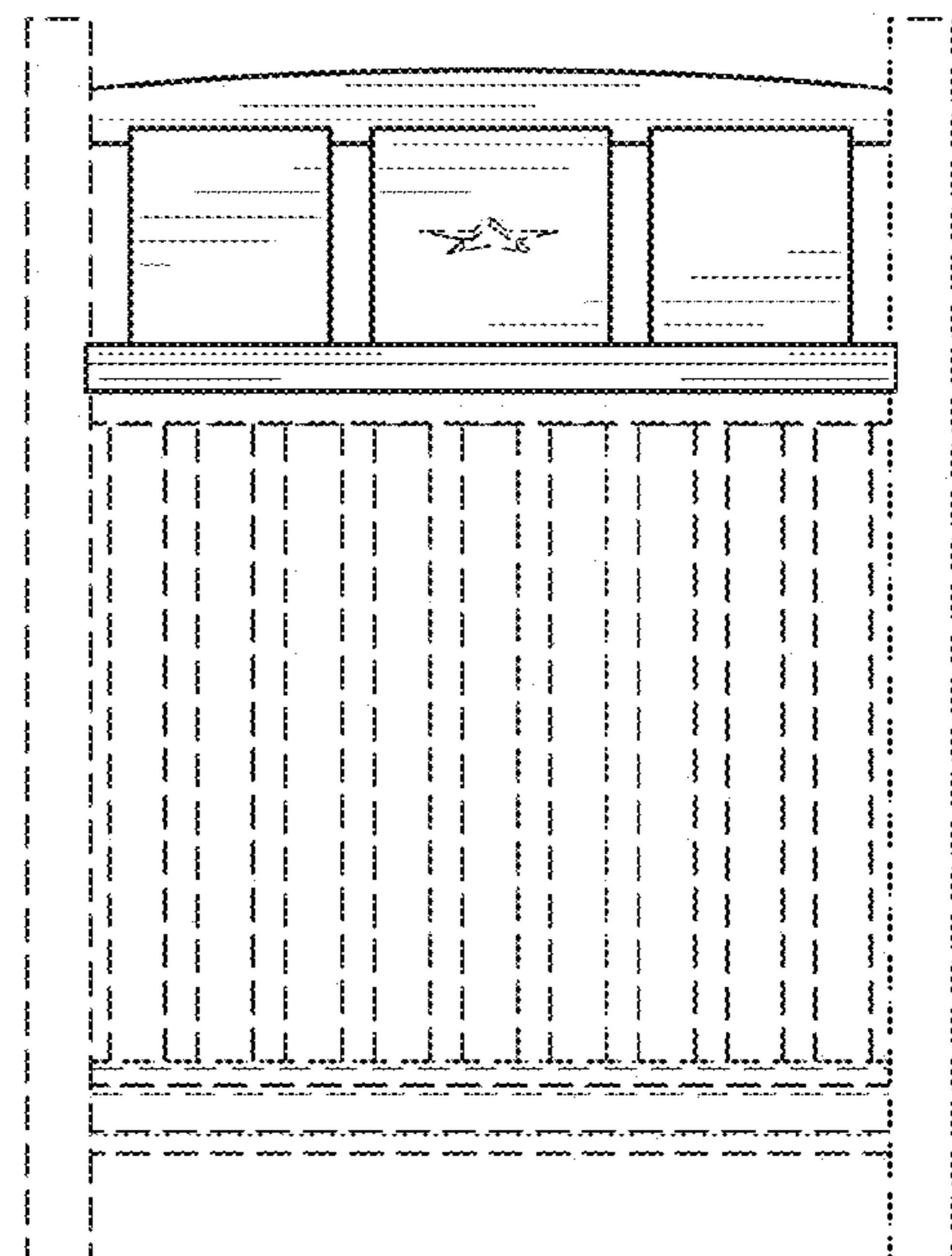


FIG. 21

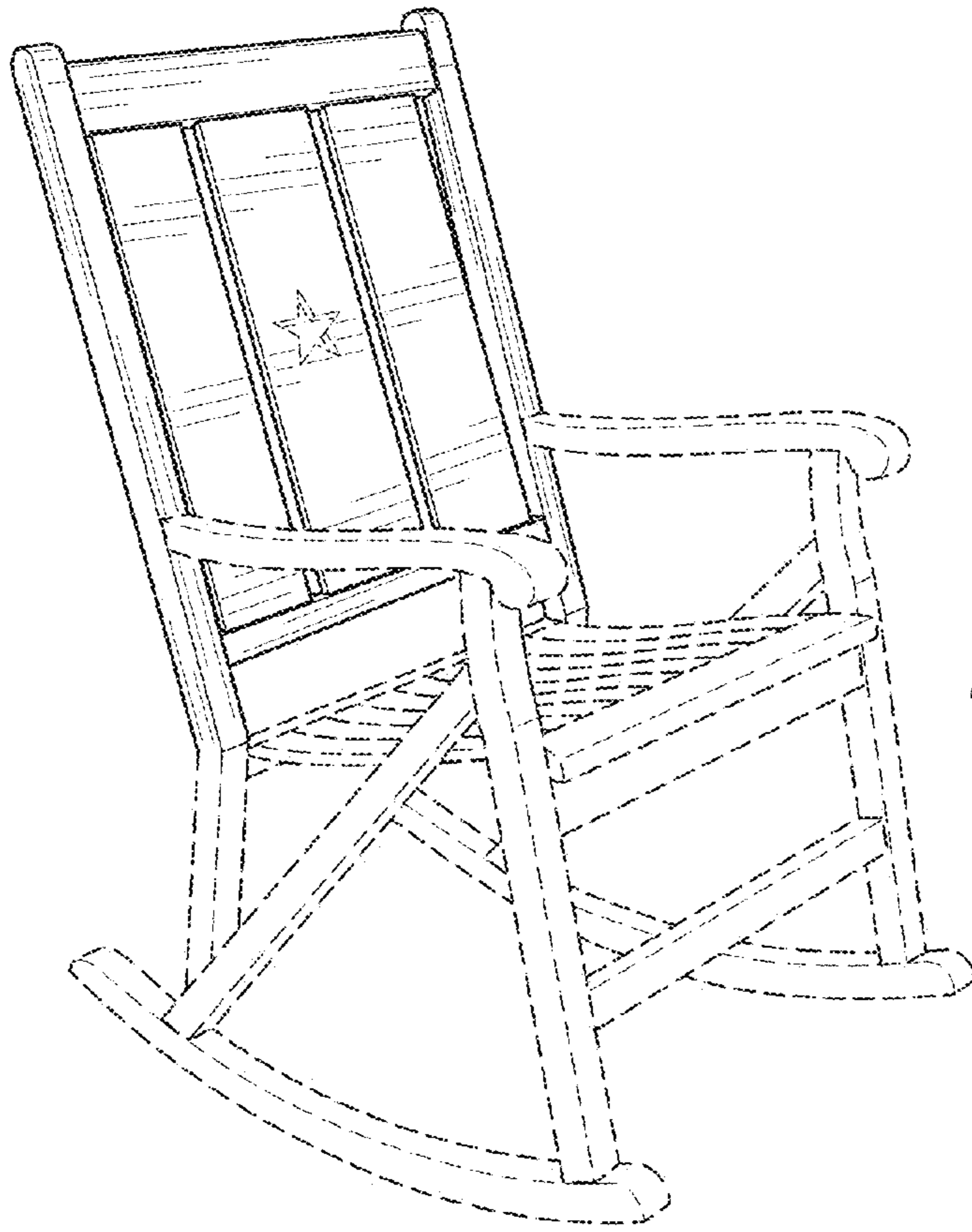


FIG. 22

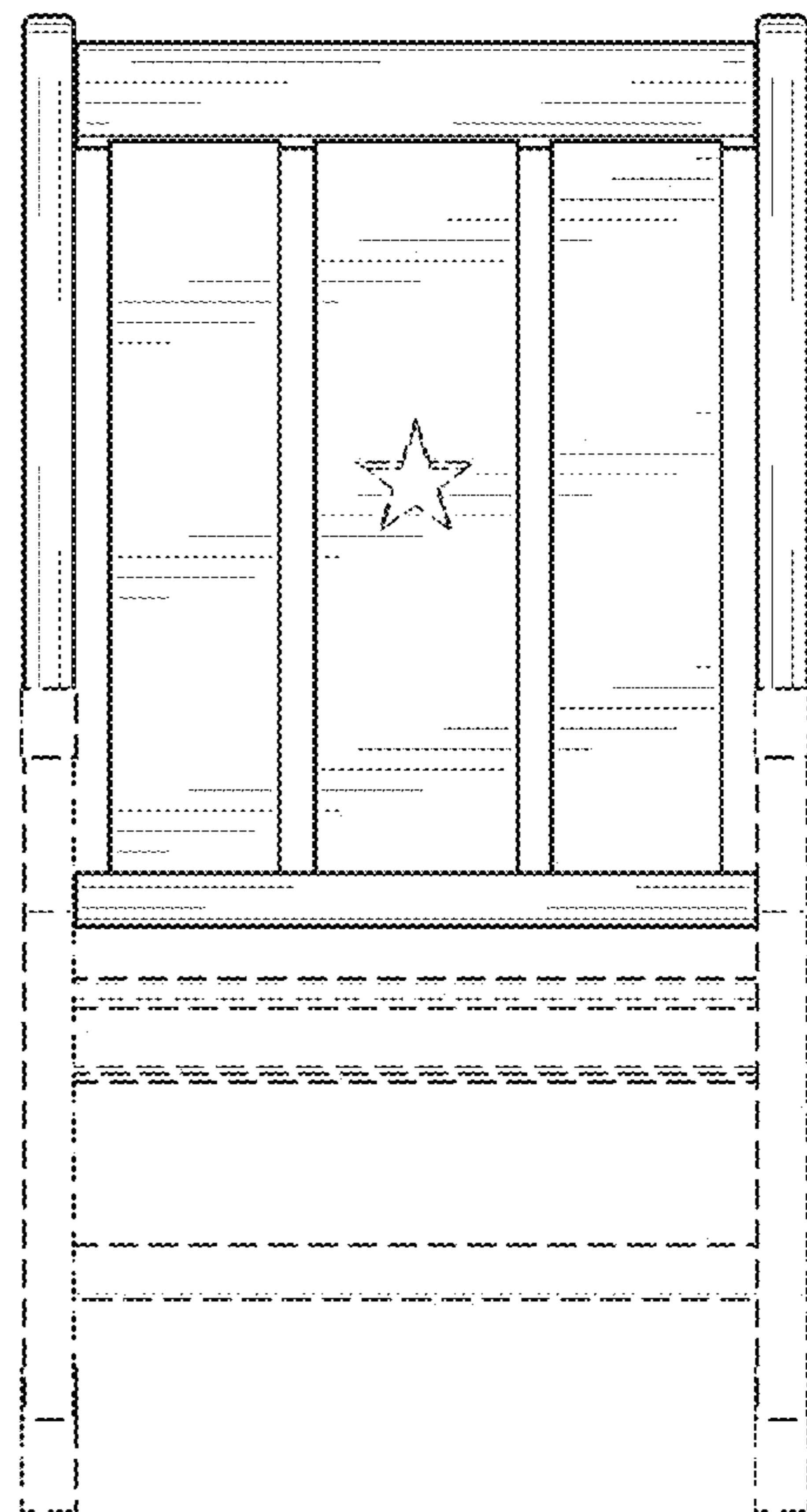


FIG. 23

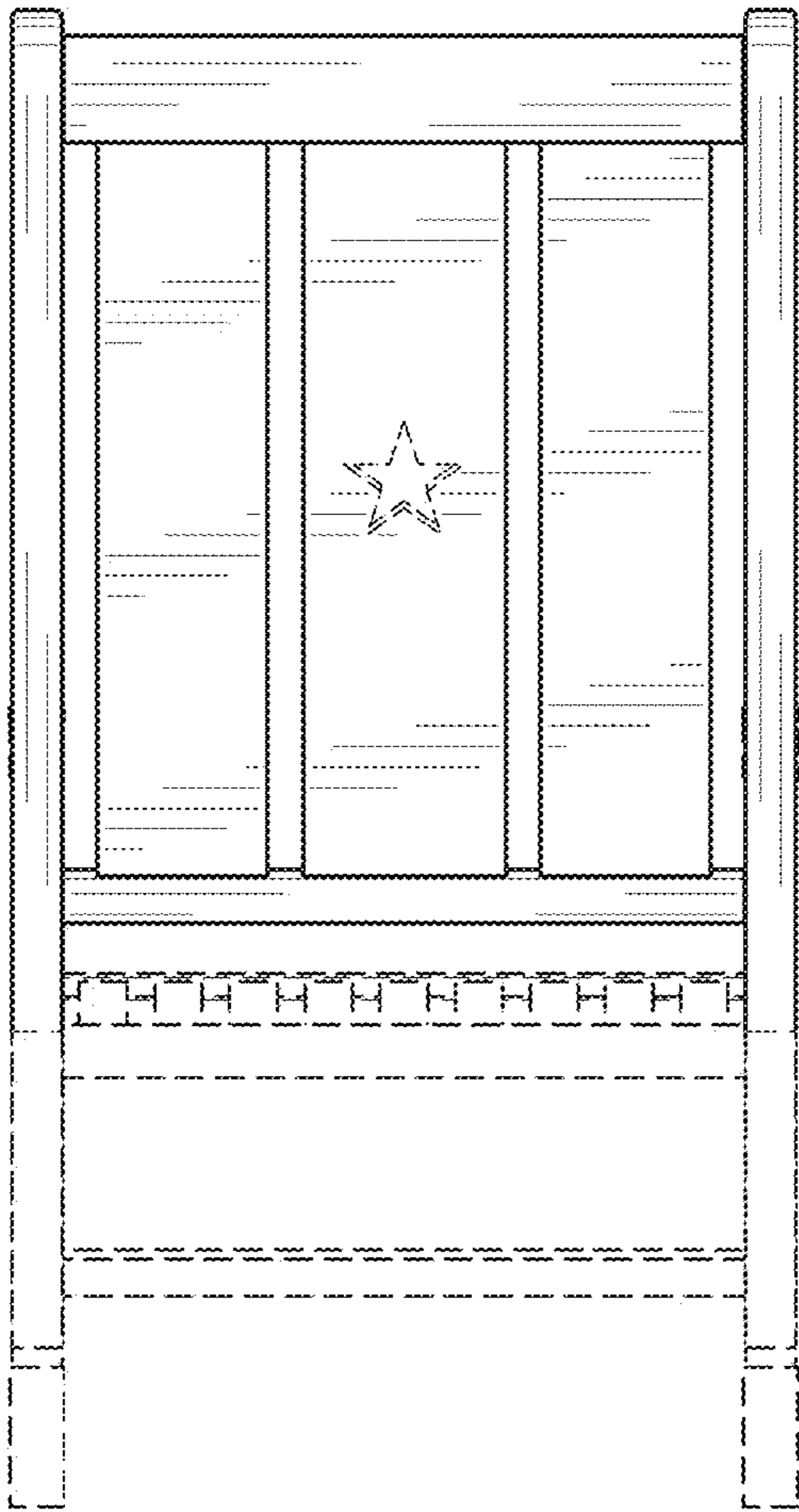


FIG. 24

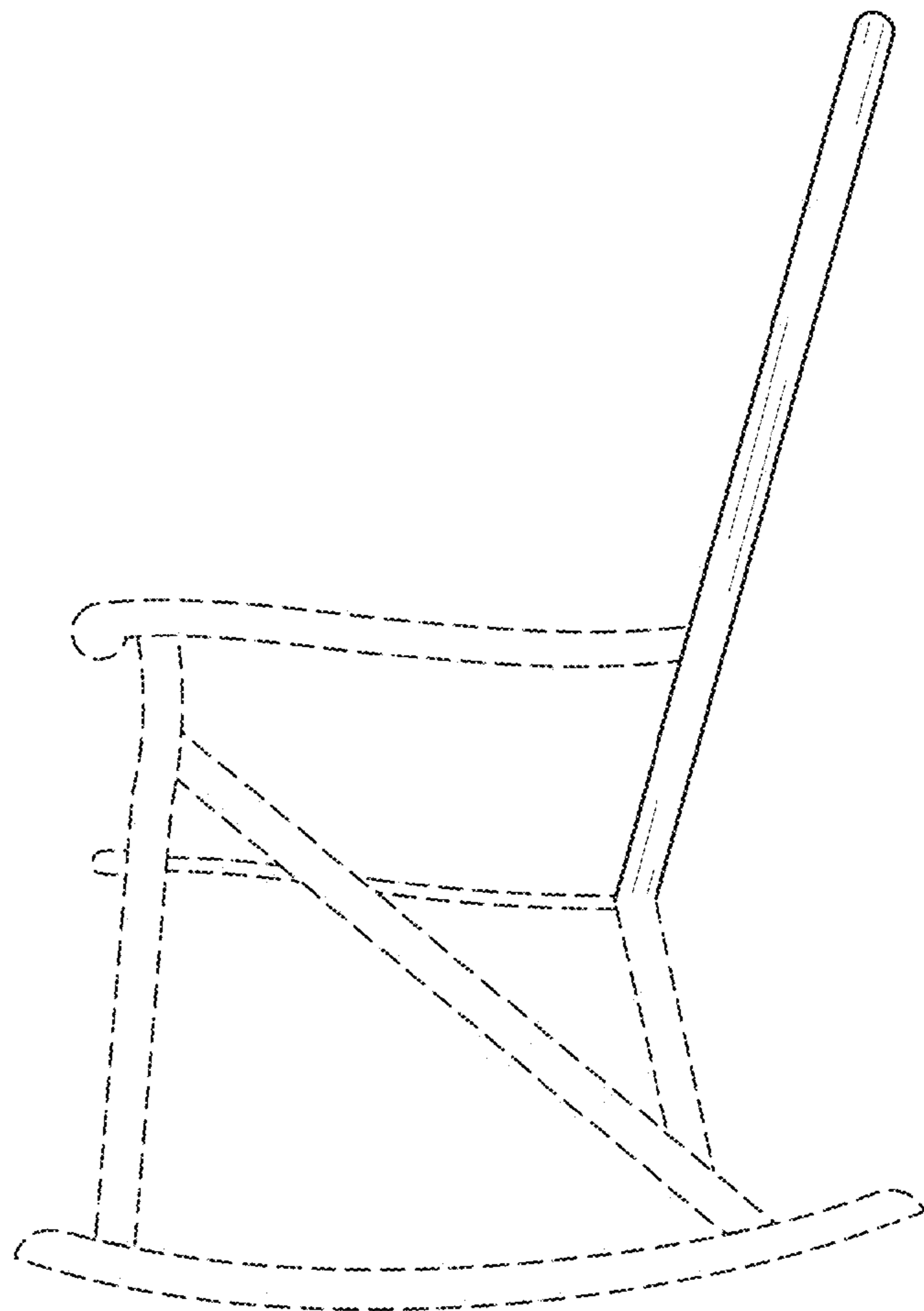


FIG. 25

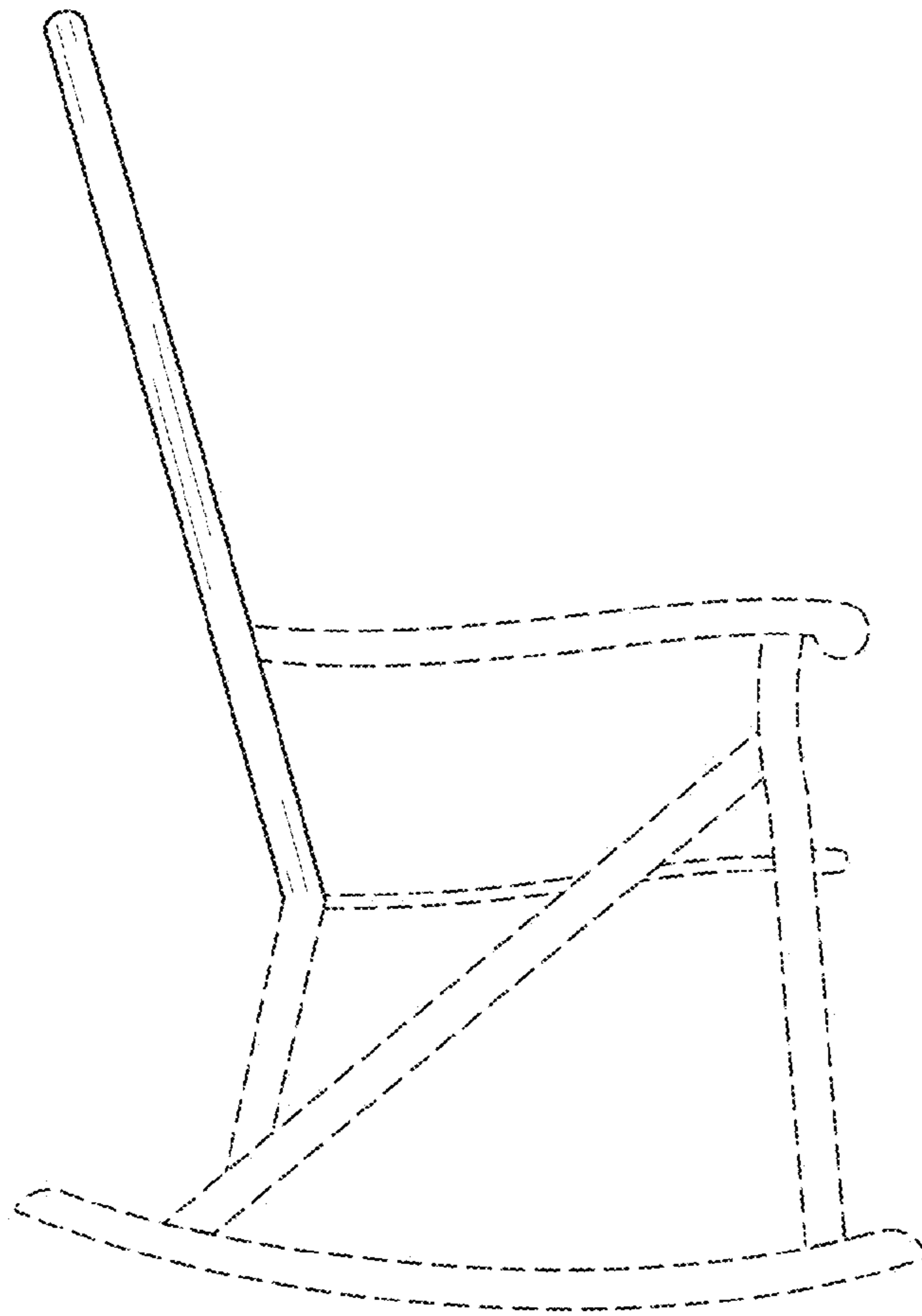


FIG. 26

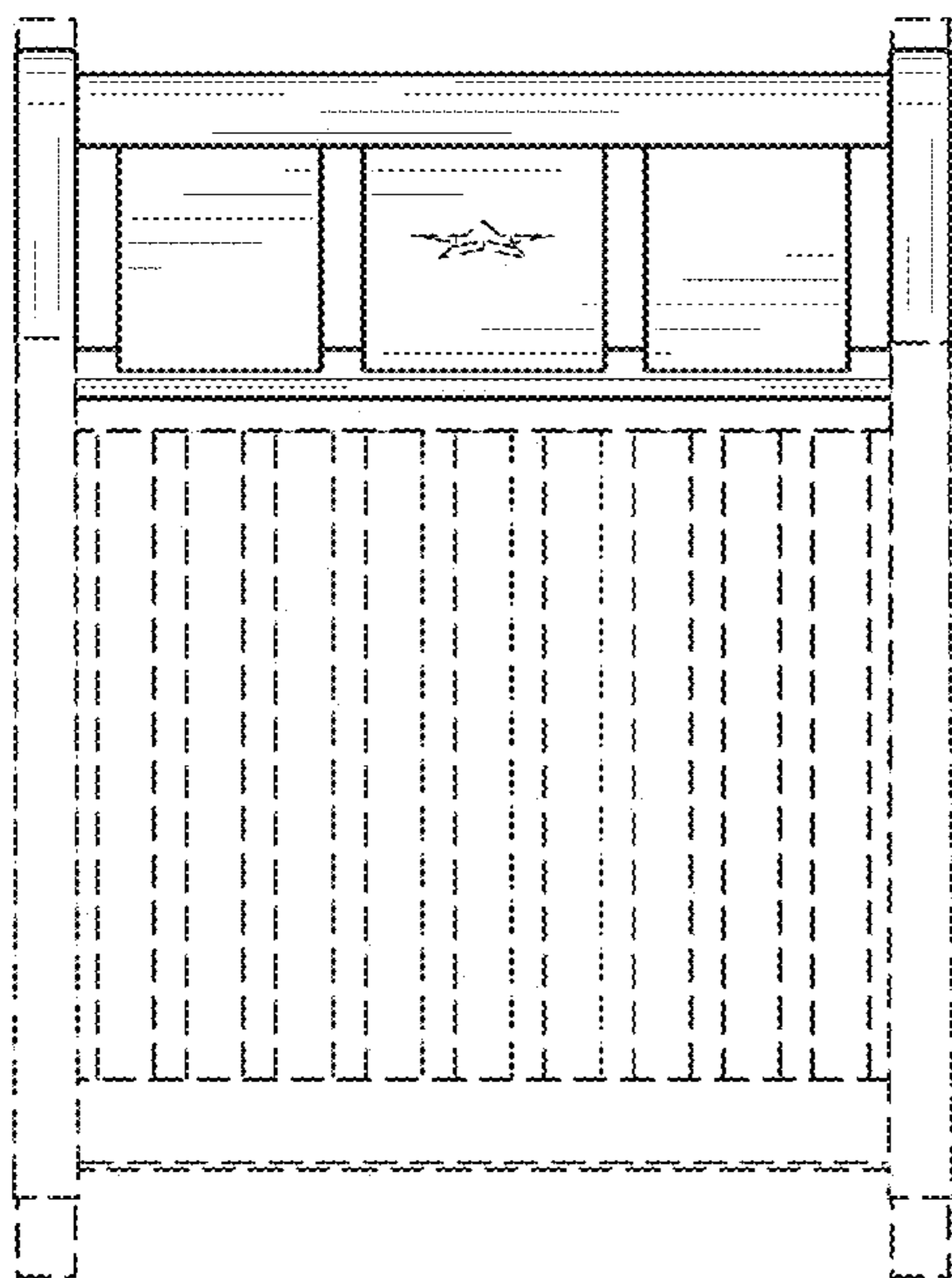


FIG. 27

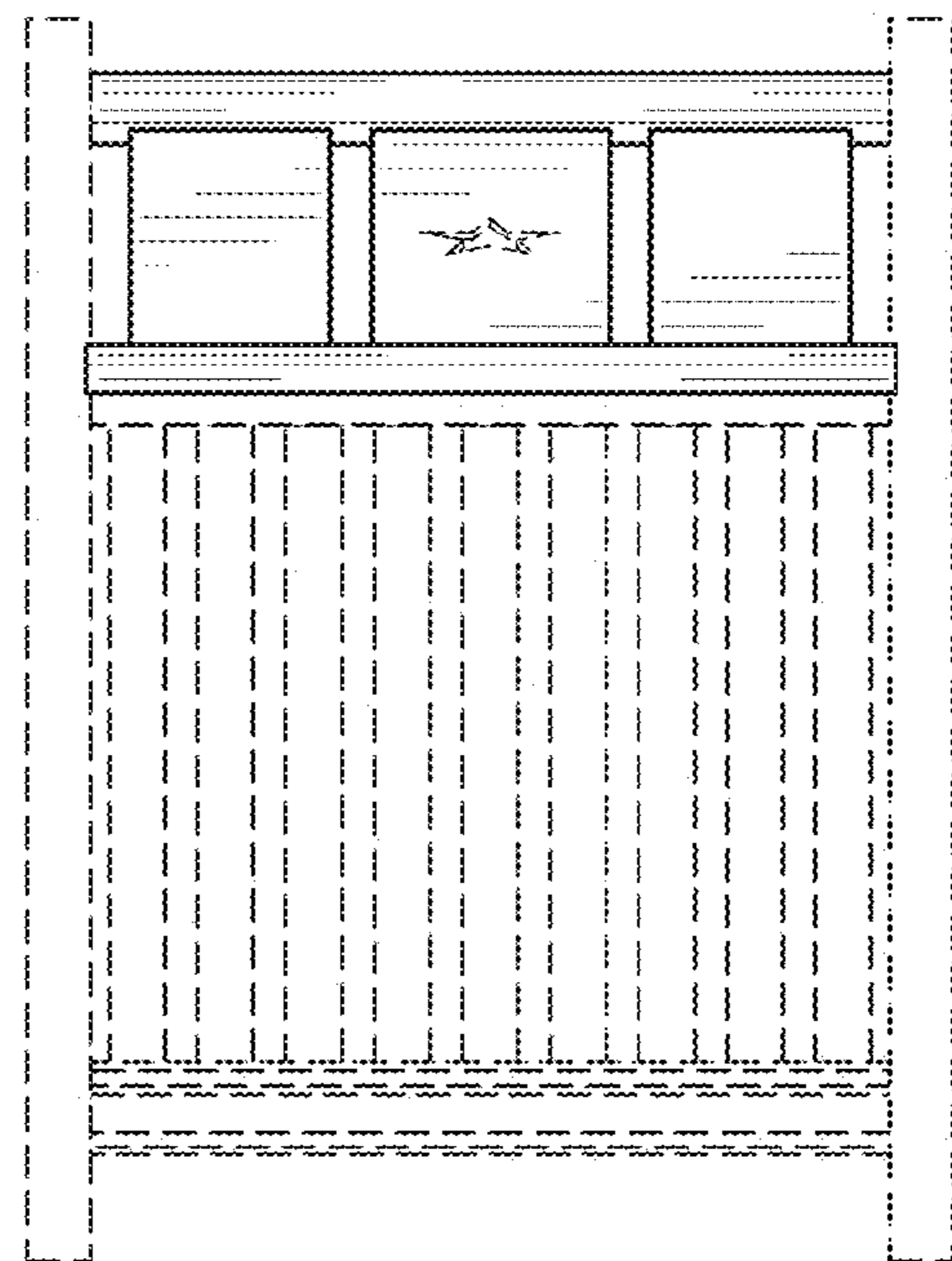


FIG. 28