



US00D935825S

(12) **United States Design Patent**
Lee

(10) **Patent No.:** **US D935,825 S**
(45) **Date of Patent:** **** Nov. 16, 2021**

(54) **CHAIR BACK**

(71) Applicant: **JBL INTERNATIONAL, INC.**,
Houston, TX (US)

(72) Inventor: **Lawrence K. Lee**, Houston, TX (US)

(**) Term: **15 Years**

(21) Appl. No.: **29/715,944**

(22) Filed: **Dec. 5, 2019**

(51) **LOC (13) Cl.** **06-01**

(52) **U.S. Cl.**

USPC **D6/716.4**; D6/348

(58) **Field of Classification Search**

USPC D6/334-336, 348, 369, 370, 371, 372,
D6/373, 374, 375, 379, 716, 716.1, 716.2,
D6/716.3, 716.4

(Continued)

(56) **References Cited**

U.S. PATENT DOCUMENTS

D36,771 S * 2/1904 Kellogg D6/369
843,060 A * 2/1907 Aronhalt A47C 3/029
297/272.2

(Continued)

OTHER PUBLICATIONS

Hinkle Carrington 240 Slat Back Wood Patio Rocking Chair, from hayneedle.com, Retrieved Date: Aug. 9, 2021, p. 1, from https://www.hayneedle.com/product/hinklecarrington240slatbackwoodpatiorockingchair.cfm?source=pla&kwid=OutdoorRockingChairs%20level03&tid=HKL072-2&adtype=pla&kw=&&g_acctid=933-667-2123&g_campaign=Outdoor&g_campaignid=12578218507&g_adgroupid=120070792316&g_adid=509355802941&g_keyword=&g_keywordid=pla1286708902009&g_adtype=pla&g_merchantid=5643243&g_productchannel=online&g_productid=HKL0722&g_partition=1286708902009&g_network=g&g_ifproduct=product&g_ifcreative=&gclid=

EAlalQobChMlnNPmgYal8glVZMqzCh18Qgj5EAQYEiABEgLOSPD_
BwE&gclsrc=aw.ds (Year: 2021).*

(Continued)

Primary Examiner — Mimosa De

(74) *Attorney, Agent, or Firm* — Egbert, McDaniel & Swartz, PLLC

(57) **CLAIM**

The ornamental design for a chair back, as shown and described.

DESCRIPTION

FIG. 1 is a perspective view of a first embodiment of a chair back showing my new design.

FIG. 2 is a front view thereof;

FIG. 3 is a rear view thereof;

FIG. 4 is a side view thereof;

FIG. 5 is an opposite side view thereof;

FIG. 6 is a top view thereof;

FIG. 7 is a bottom view thereof;

FIG. 8 is a perspective view of a second embodiment thereof;

FIG. 9 is a front view of FIG. 8;

FIG. 10 is a rear view of FIG. 8;

FIG. 11 is a side view of FIG. 8;

FIG. 12 is an opposite side view of FIG. 8;

FIG. 13 is a top view of FIG. 8;

FIG. 14 is a bottom view of FIG. 8;

FIG. 15 is a perspective view of a third embodiment thereof;

FIG. 16 is a front view of FIG. 15;

FIG. 17 is a rear view of FIG. 15;

FIG. 18 is a side view of FIG. 15;

FIG. 19 is an opposite side view of FIG. 15;

FIG. 20 is a top view of FIG. 15;

FIG. 21 is a bottom view of FIG. 15;

FIG. 22 is a perspective view of a fourth embodiment thereof;

FIG. 23 is a front view of FIG. 22;

FIG. 24 is a rear view of FIG. 22;

FIG. 25 is a side view of FIG. 22;

FIG. 26 is an opposite side view of FIG. 22;

FIG. 27 is a top view of FIG. 22; and,

(Continued)

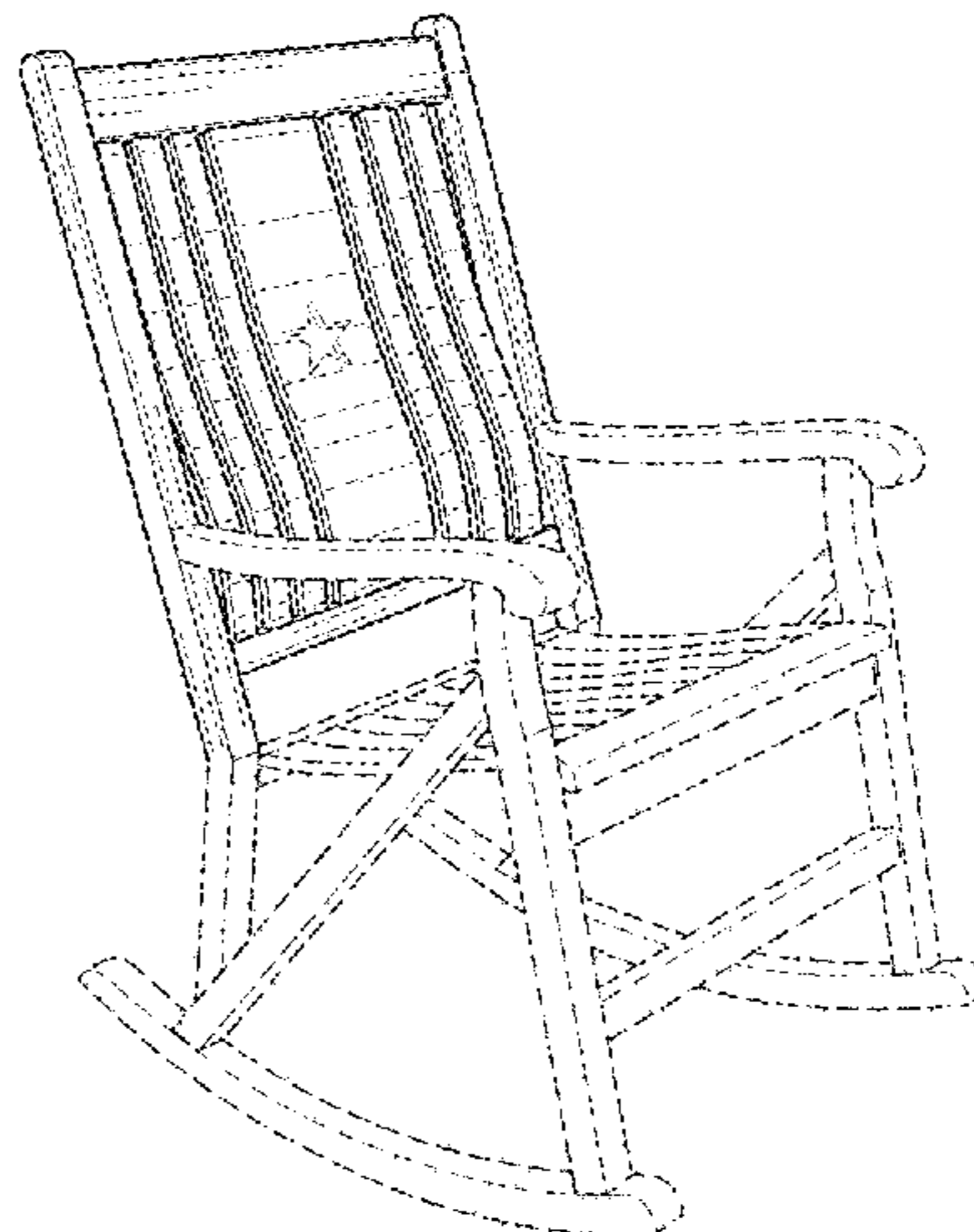
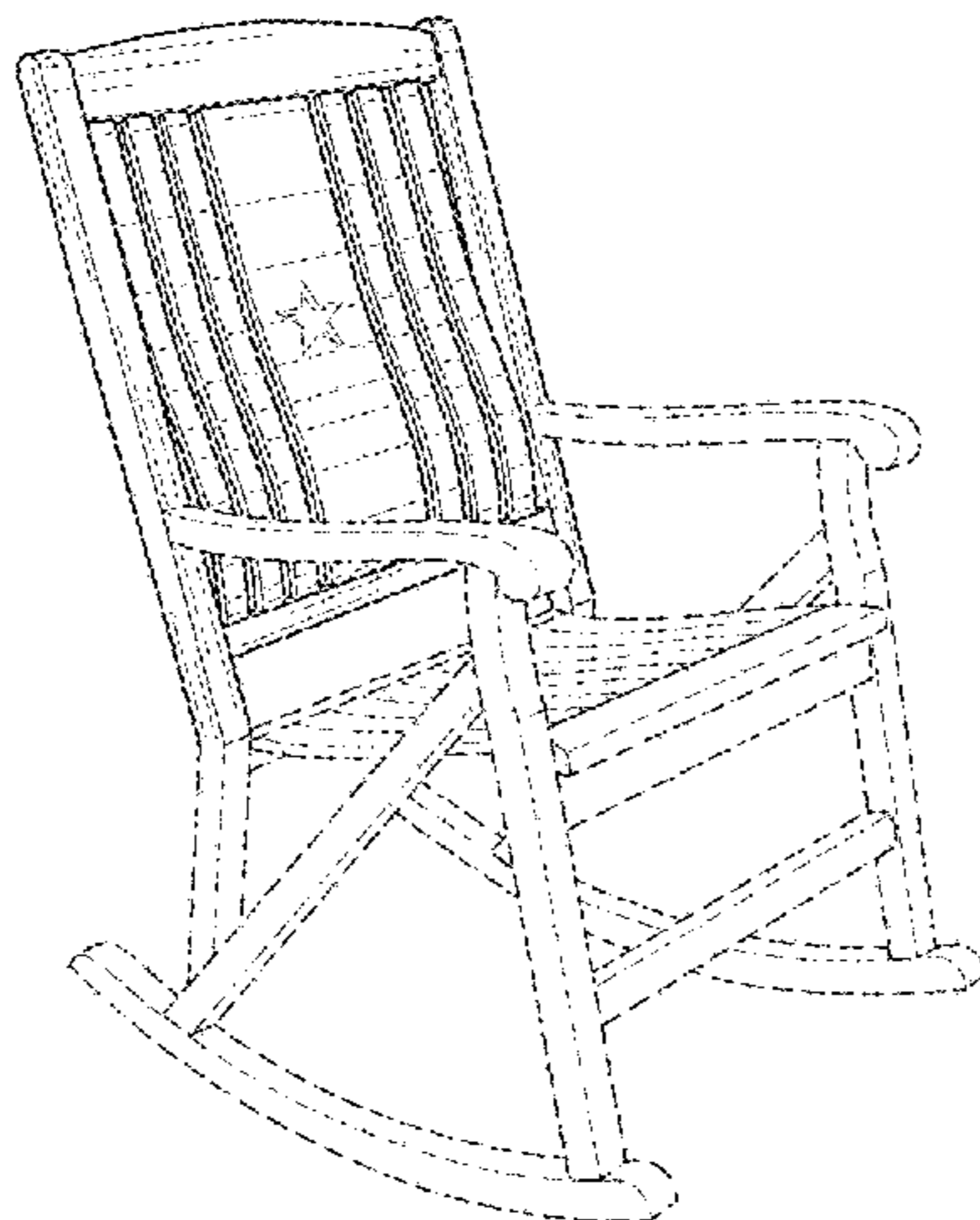


FIG. 28 is a bottom view of FIG. 22. The broken line showings of the star shape in the drawings illustrate portions of the chair back that form no part of the claimed design. The broken line showing of the chair seat, base and arms illustrates the environment of the claimed design and forms no part thereof.

1 Claim, 12 Drawing Sheets

(58) **Field of Classification Search**

CPC A47C 3/02; A47C 3/025; A47C 3/027;
A47C 3/029; A47C 4/02; A47C 4/03;
A47C 4/08; A47C 5/046; A47C 7/16;
A47C 4/024; A47C 7/54

See application file for complete search history.

(56) **References Cited**

U.S. PATENT DOCUMENTS

D40,588 S * 3/1910 Voncanon D6/348
D43,442 S * 1/1913 Taylor D6/348

D43,443 S * 1/1913 Taylor D6/348
D43,444 S * 1/1913 Taylor D6/348
D313,320 S * 1/1991 Fisher D6/348
D373,910 S * 9/1996 Frinier D6/370
D375,636 S * 11/1996 Arcese D6/370
D502,608 S * 3/2005 Brown D6/345
D511,420 S * 11/2005 Haralson D6/370
D825,211 S * 8/2018 Lee D6/348
D899,113 S * 10/2020 Lee D6/348

OTHER PUBLICATIONS

Seven Seas Teak Salvador Outdoor Patio Rocking Chair, from overstock.com, Retrieved Date: Aug. 9, 2021, p. 1, from <https://www.overstock.com/Home-Garden/Seven-Seas-Teak-Salvador-Outdoor-Patio-Rocking-Chair/31292322/product.html?refccid=HNZN5OP2AQIY63CFWU5MX72BPU&searchidx=326&kwds=&rfmt=material%3AWoo> (Year: 2021).*

* cited by examiner

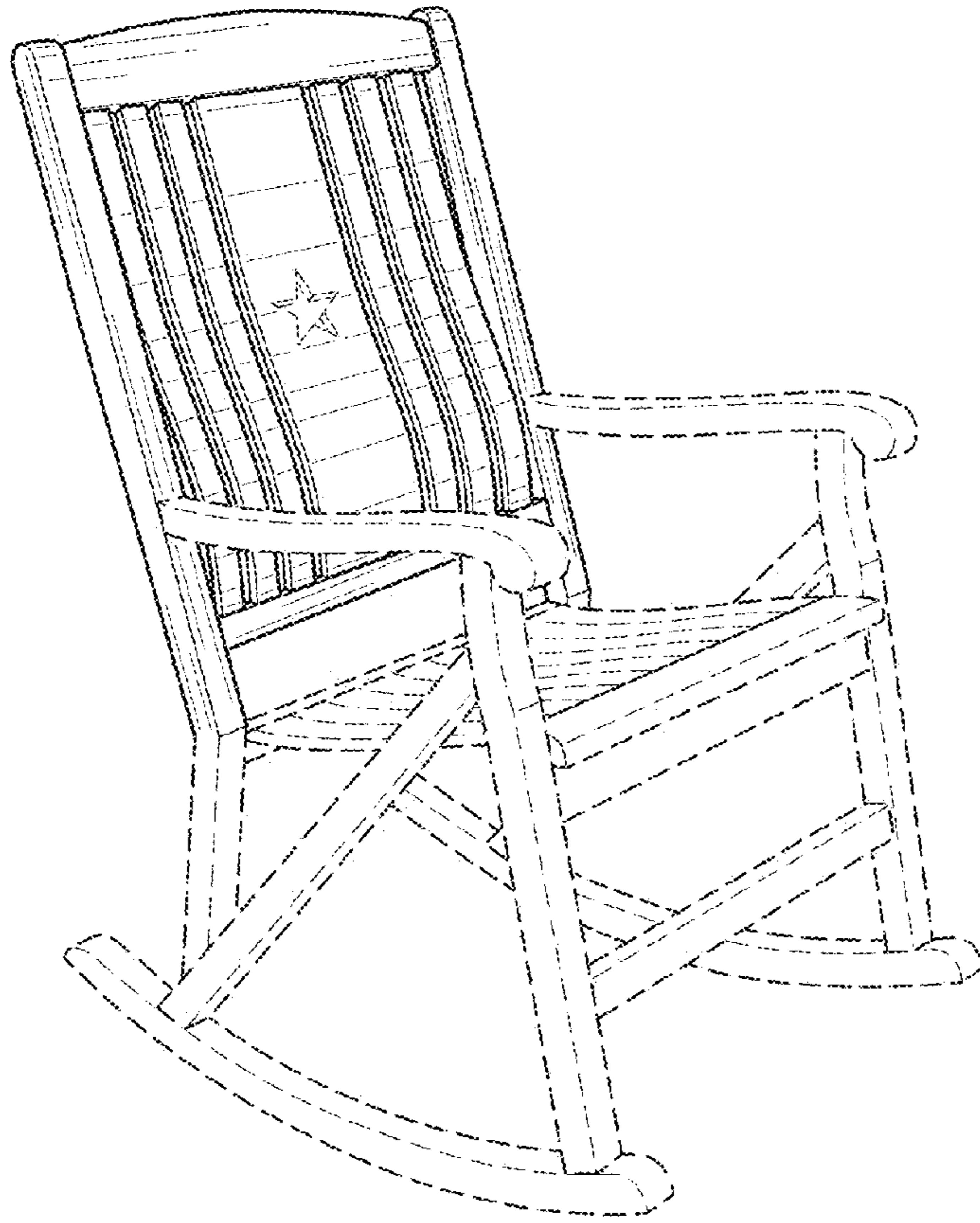


FIG. 1

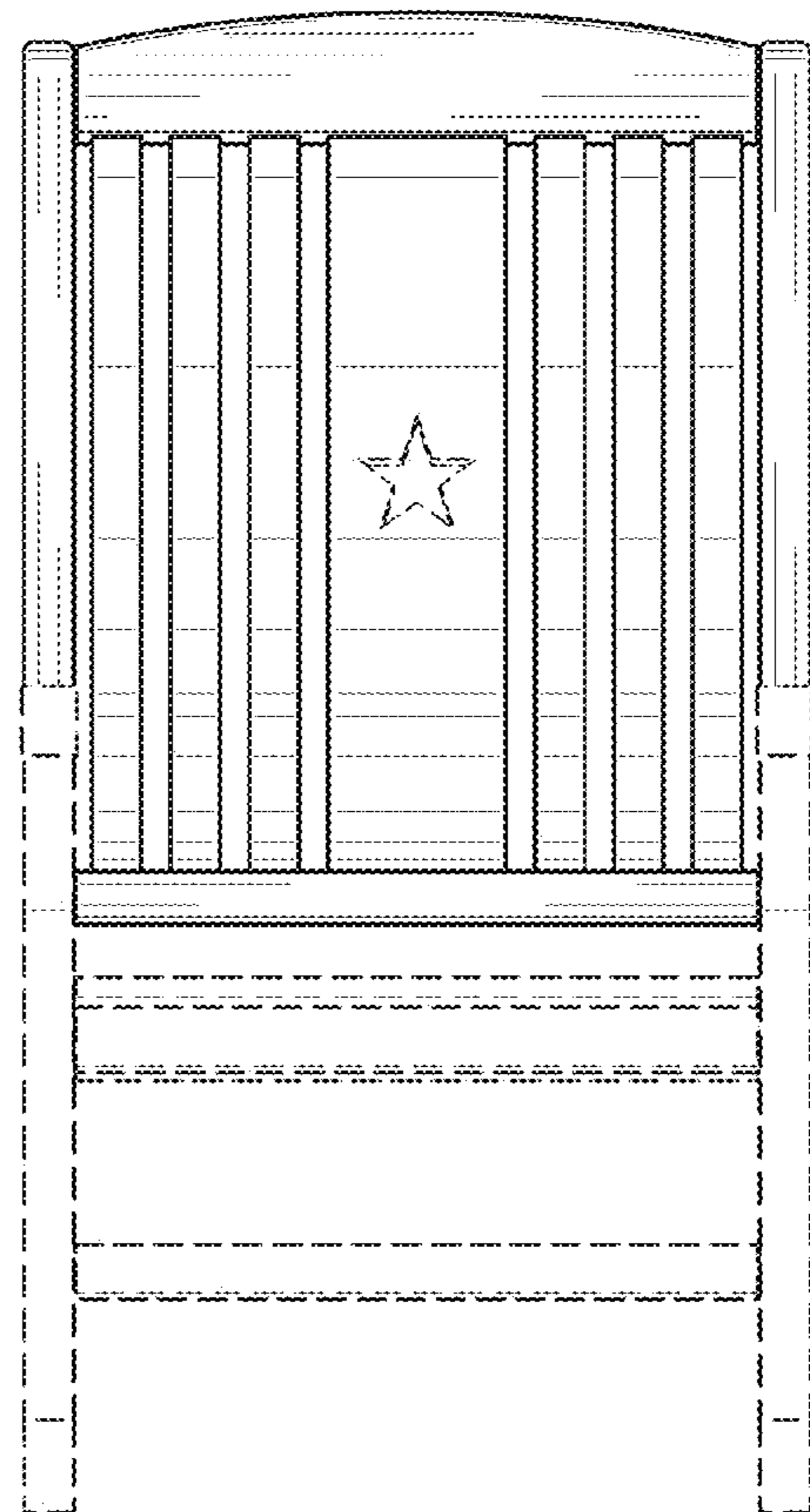


FIG. 2

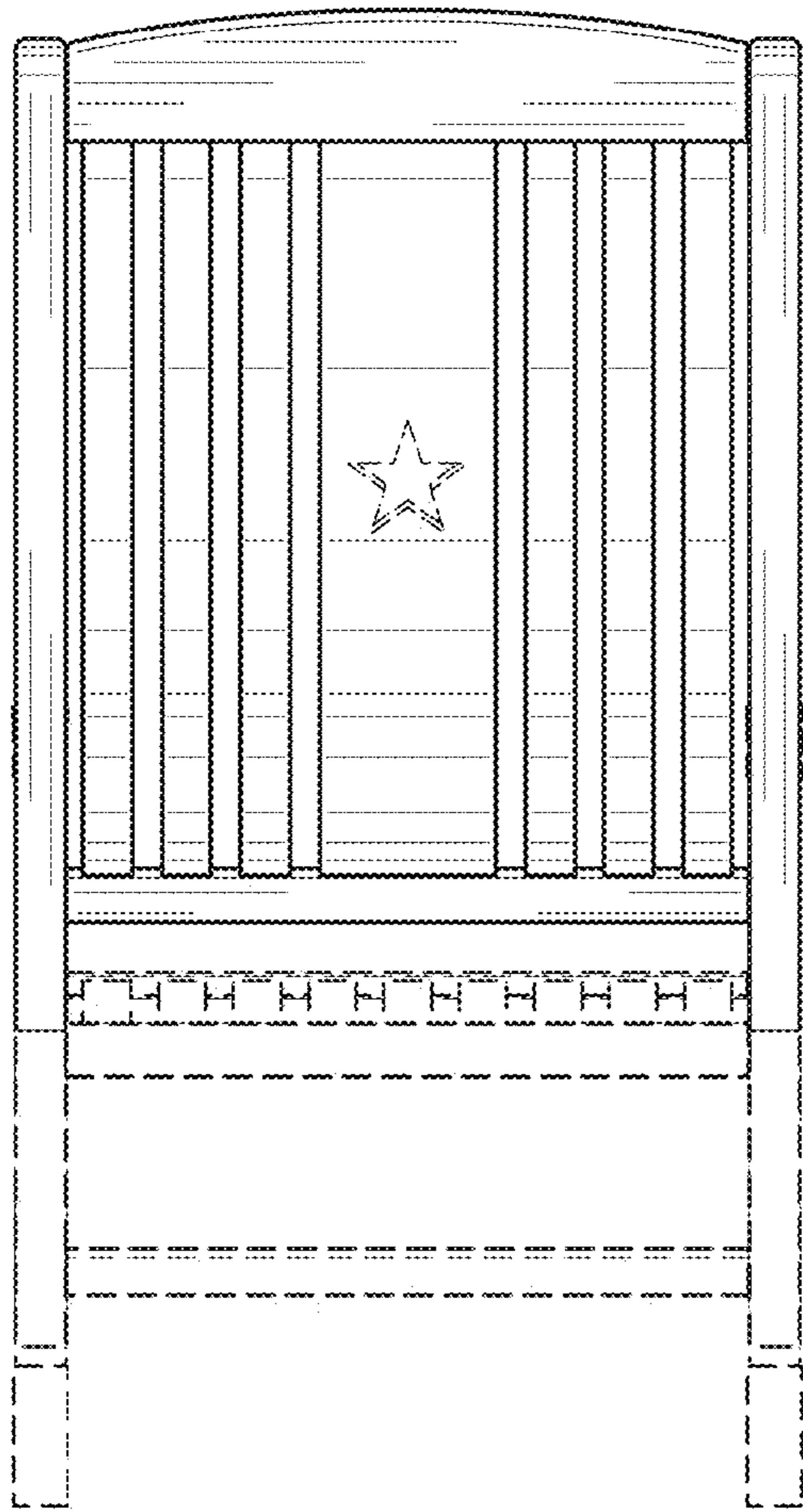


FIG. 3

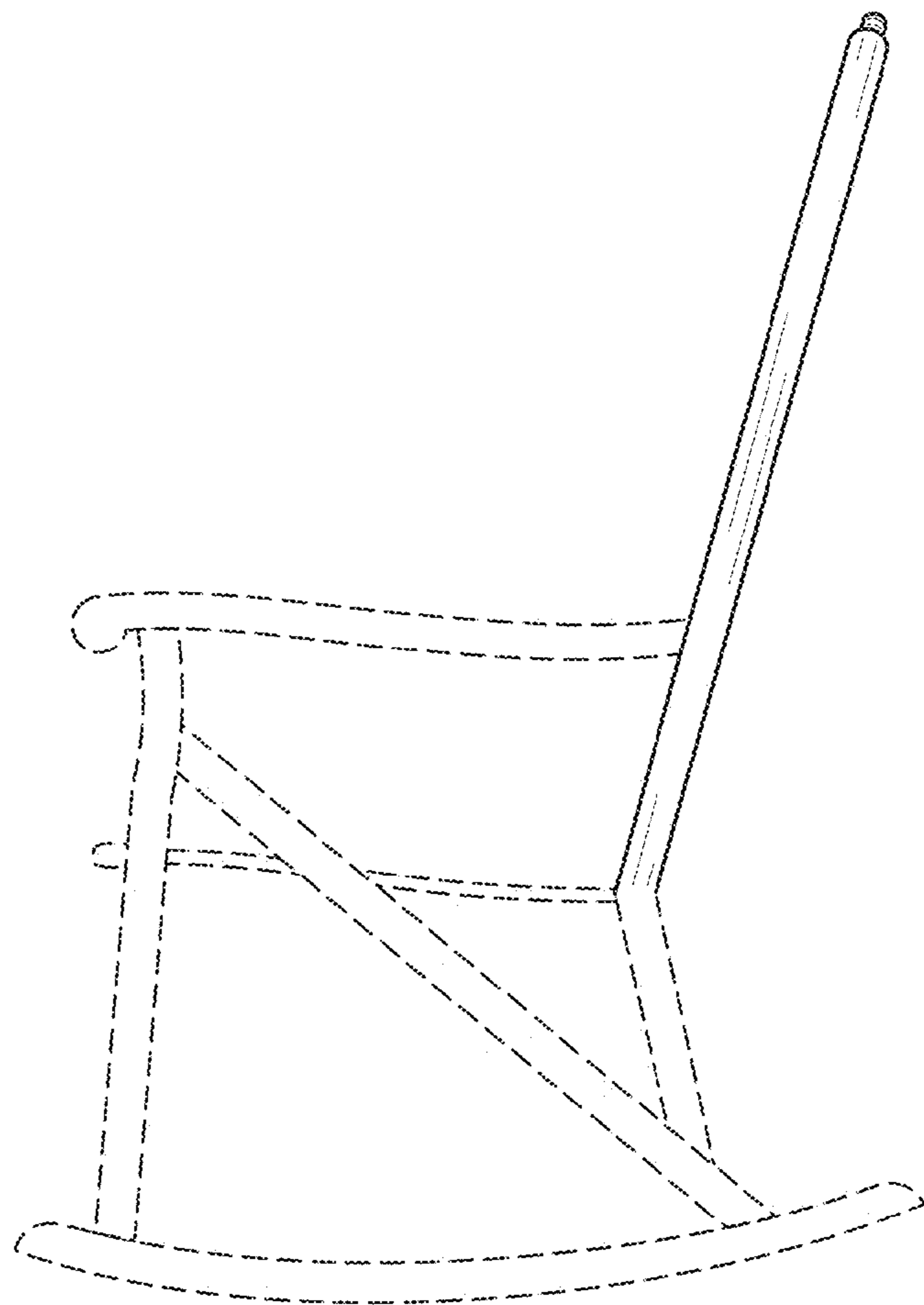


FIG. 4

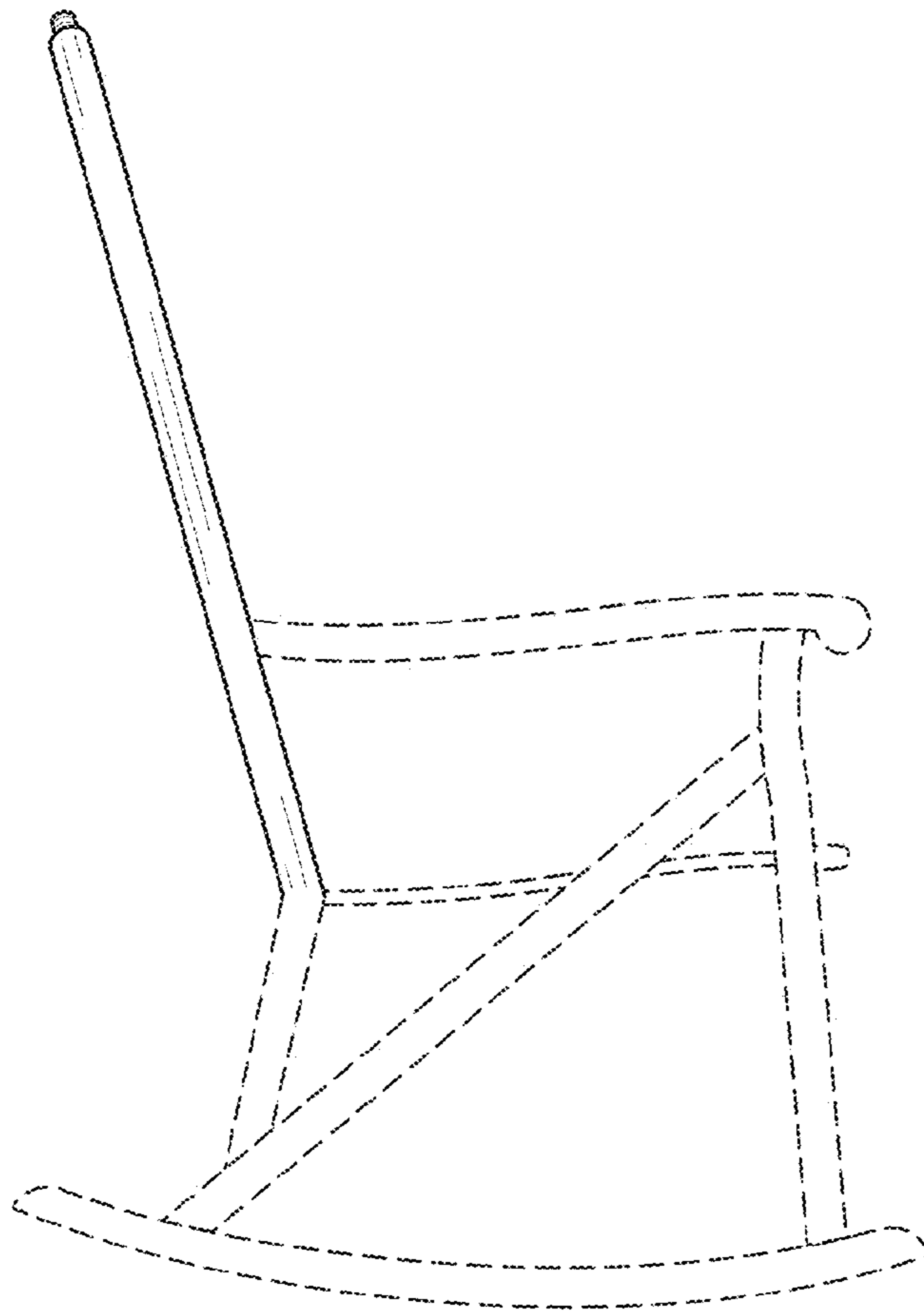


FIG. 5

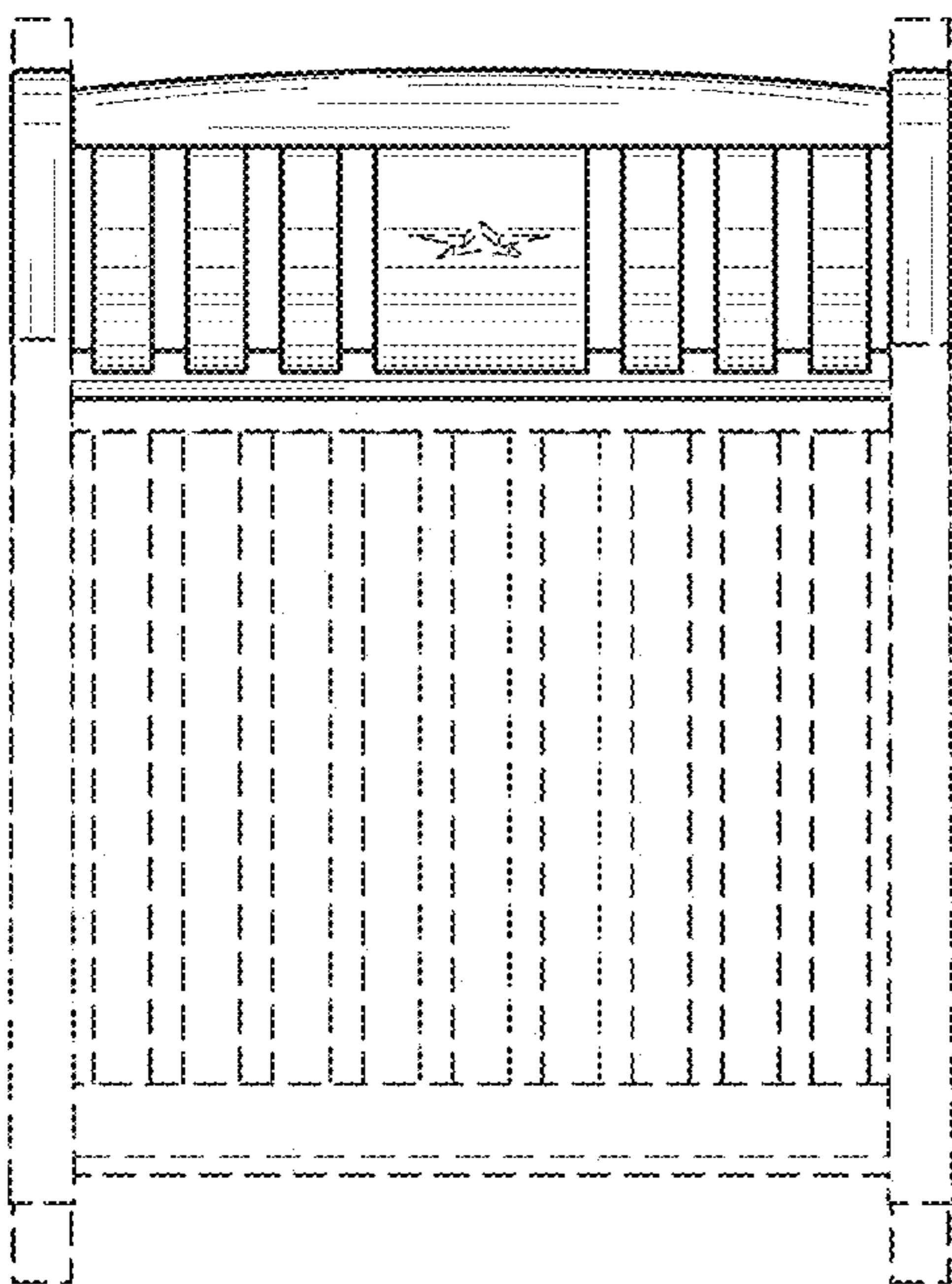


FIG. 6

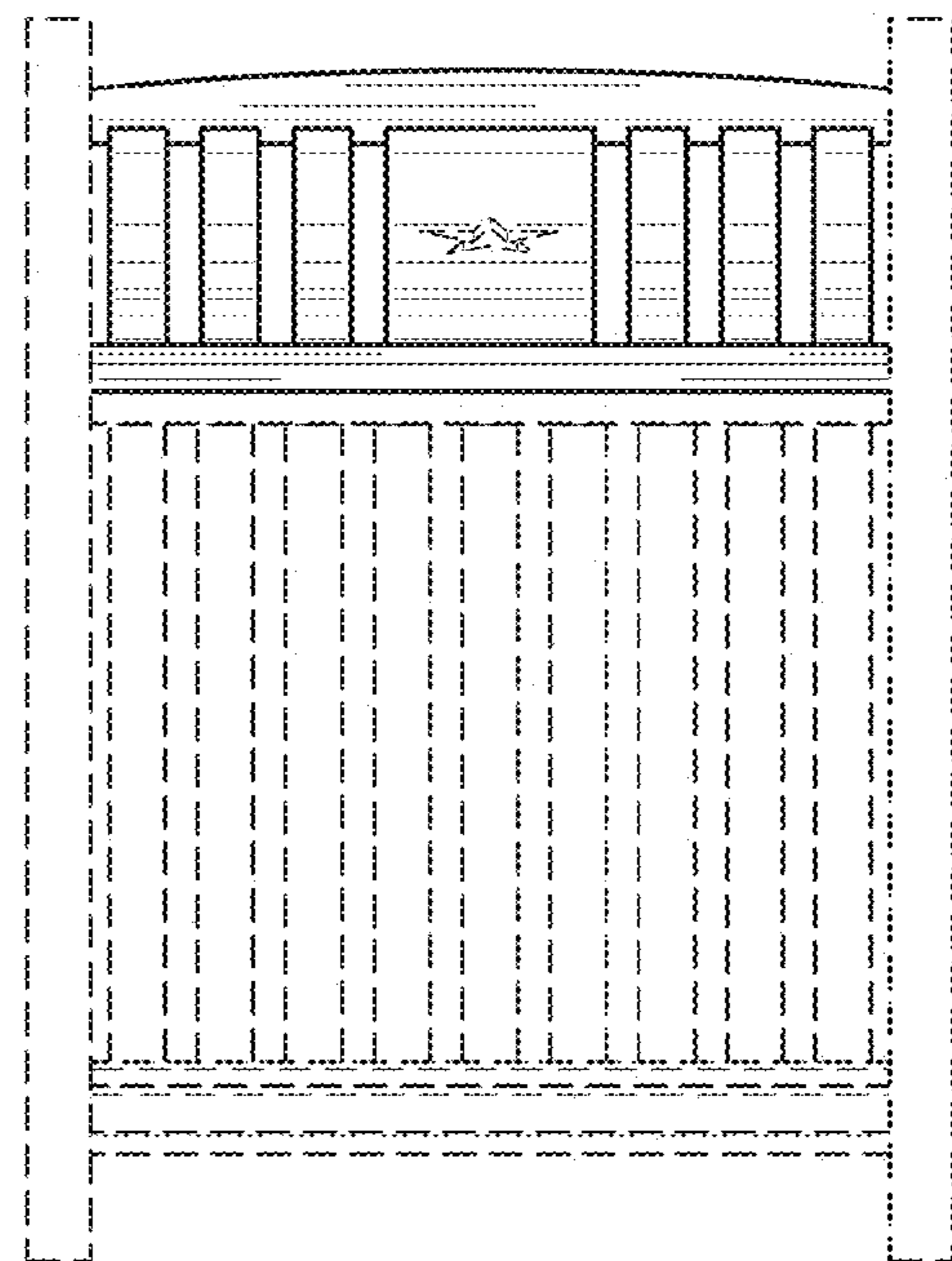


FIG. 7

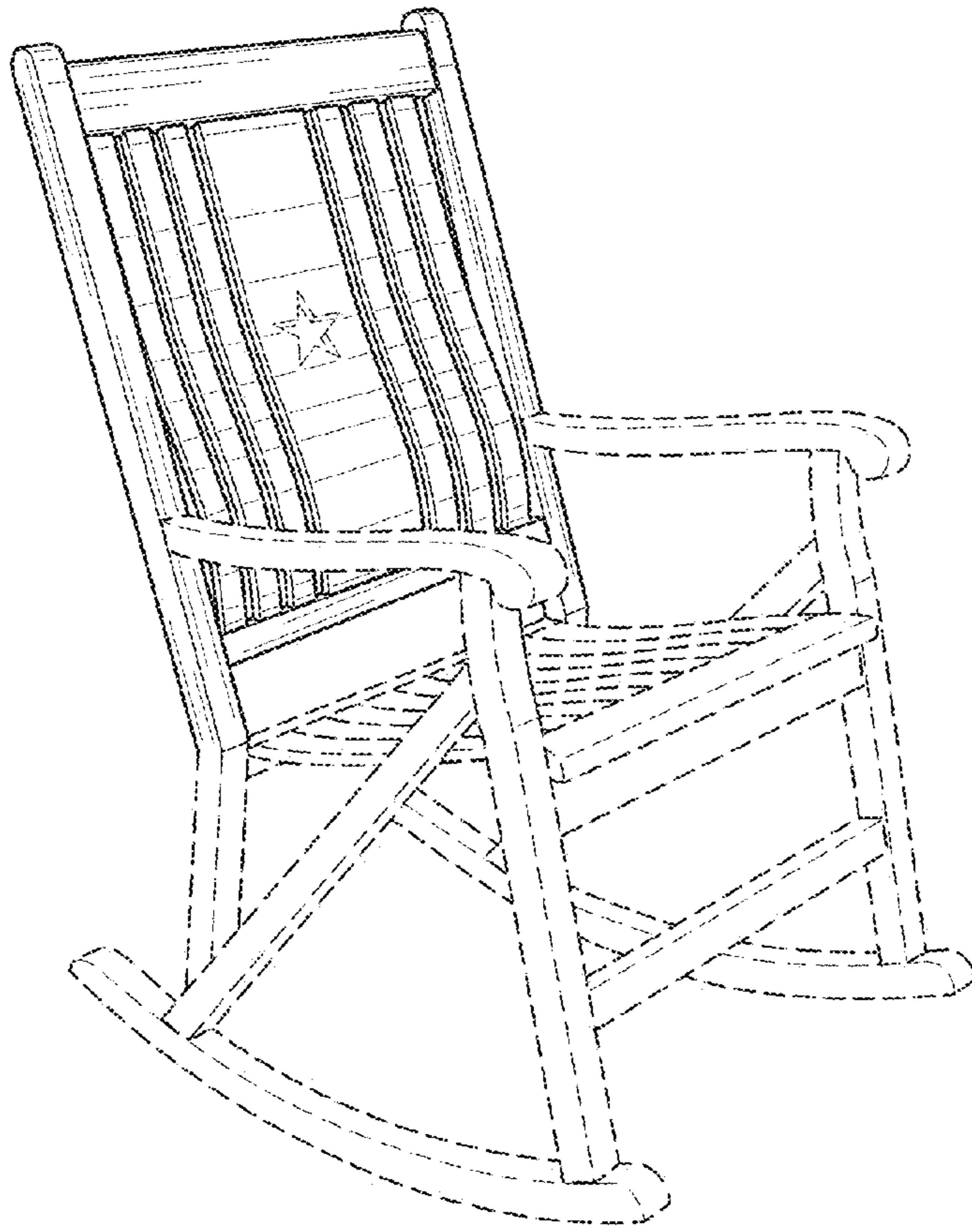


FIG. 8

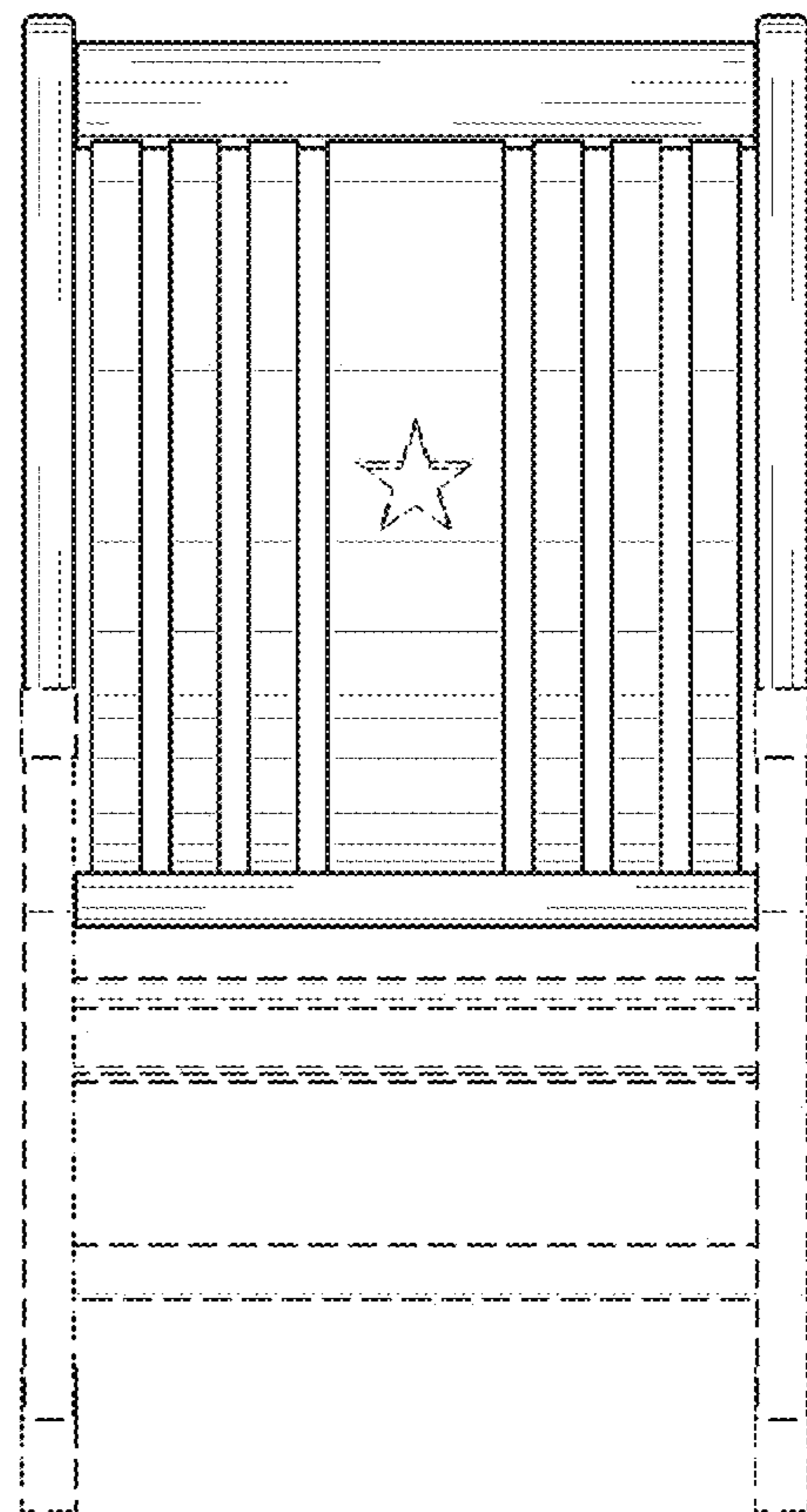


FIG. 9

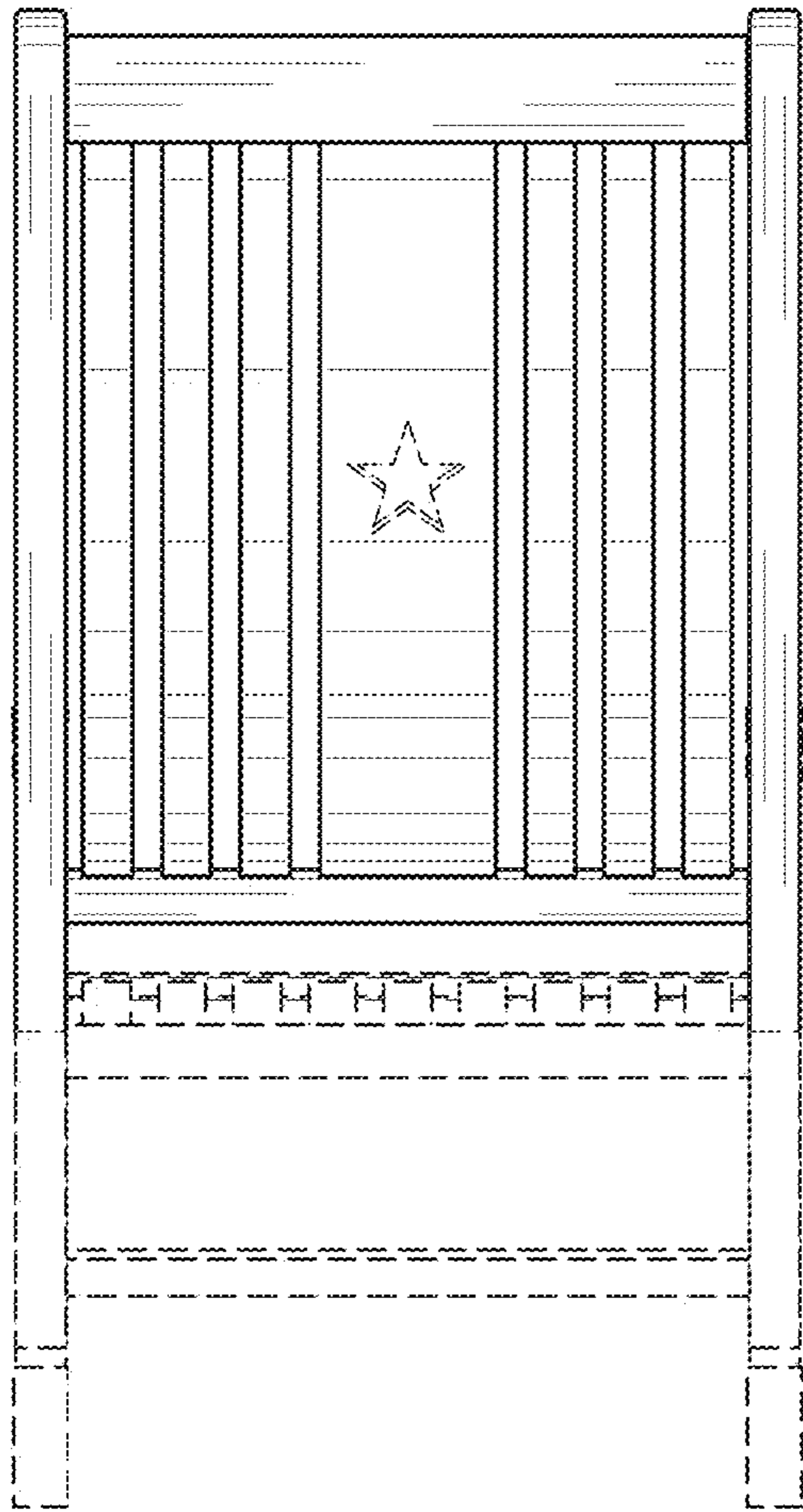


FIG. 10

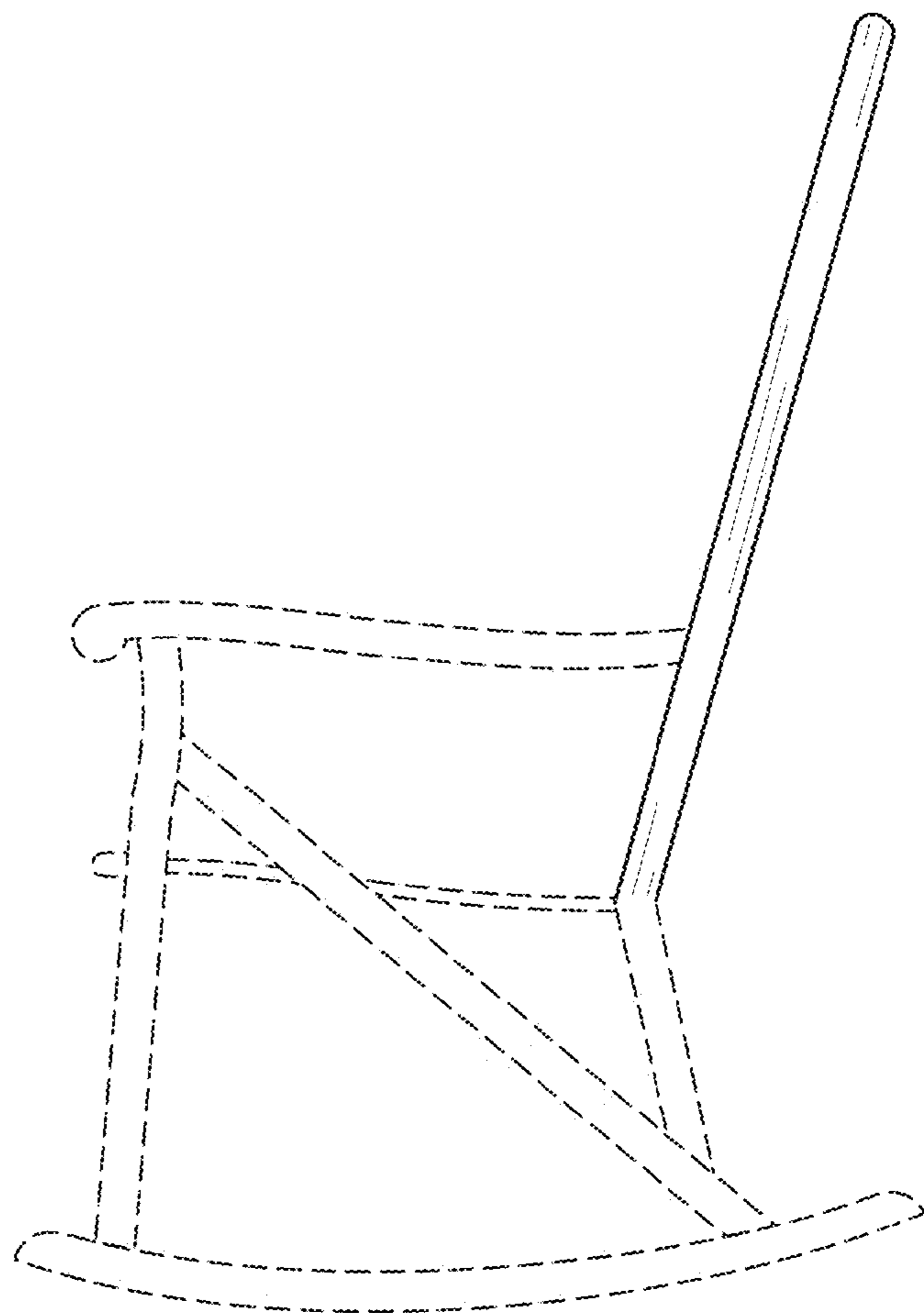


FIG. 11

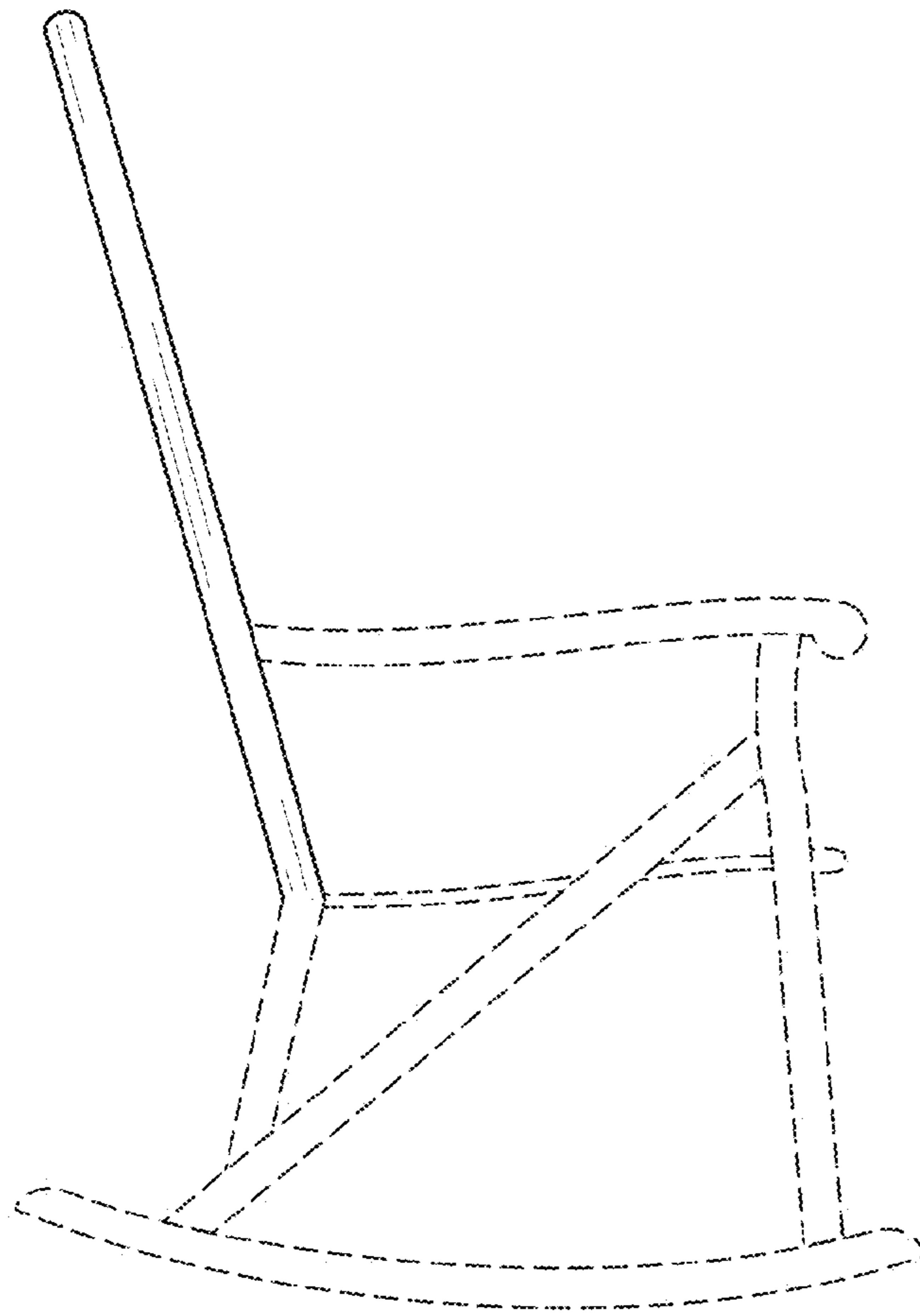


FIG. 12

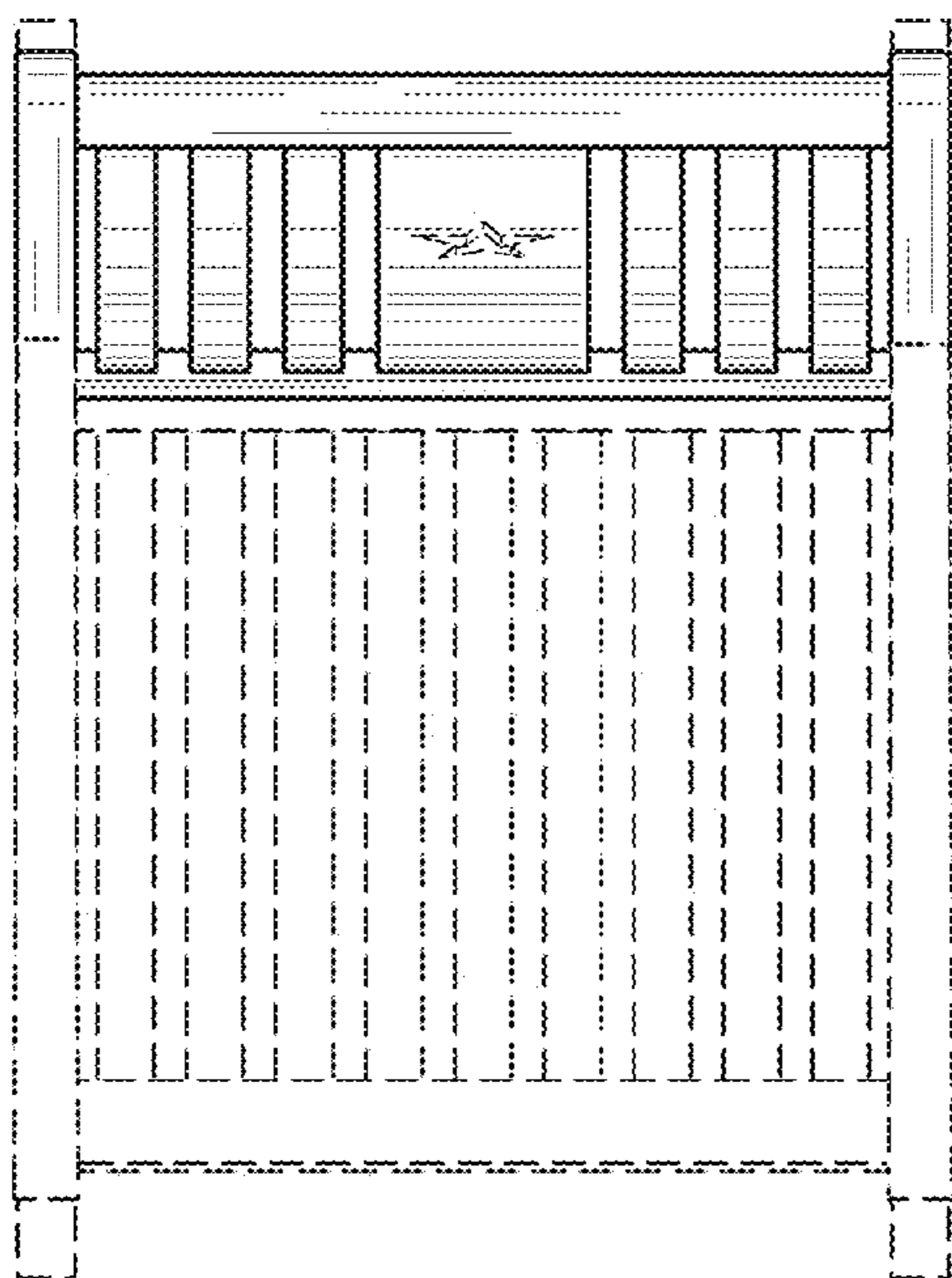


FIG. 13

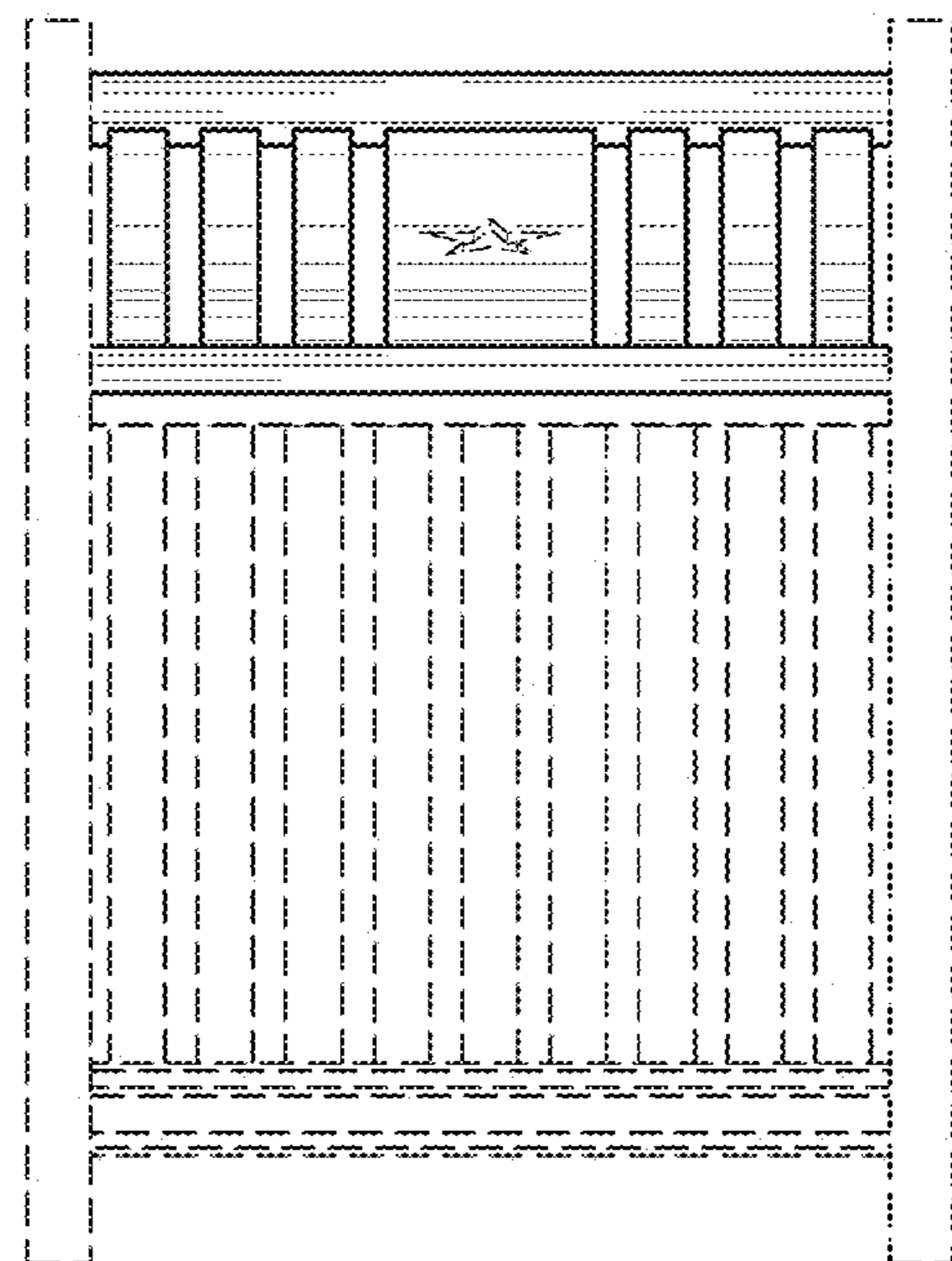


FIG. 14

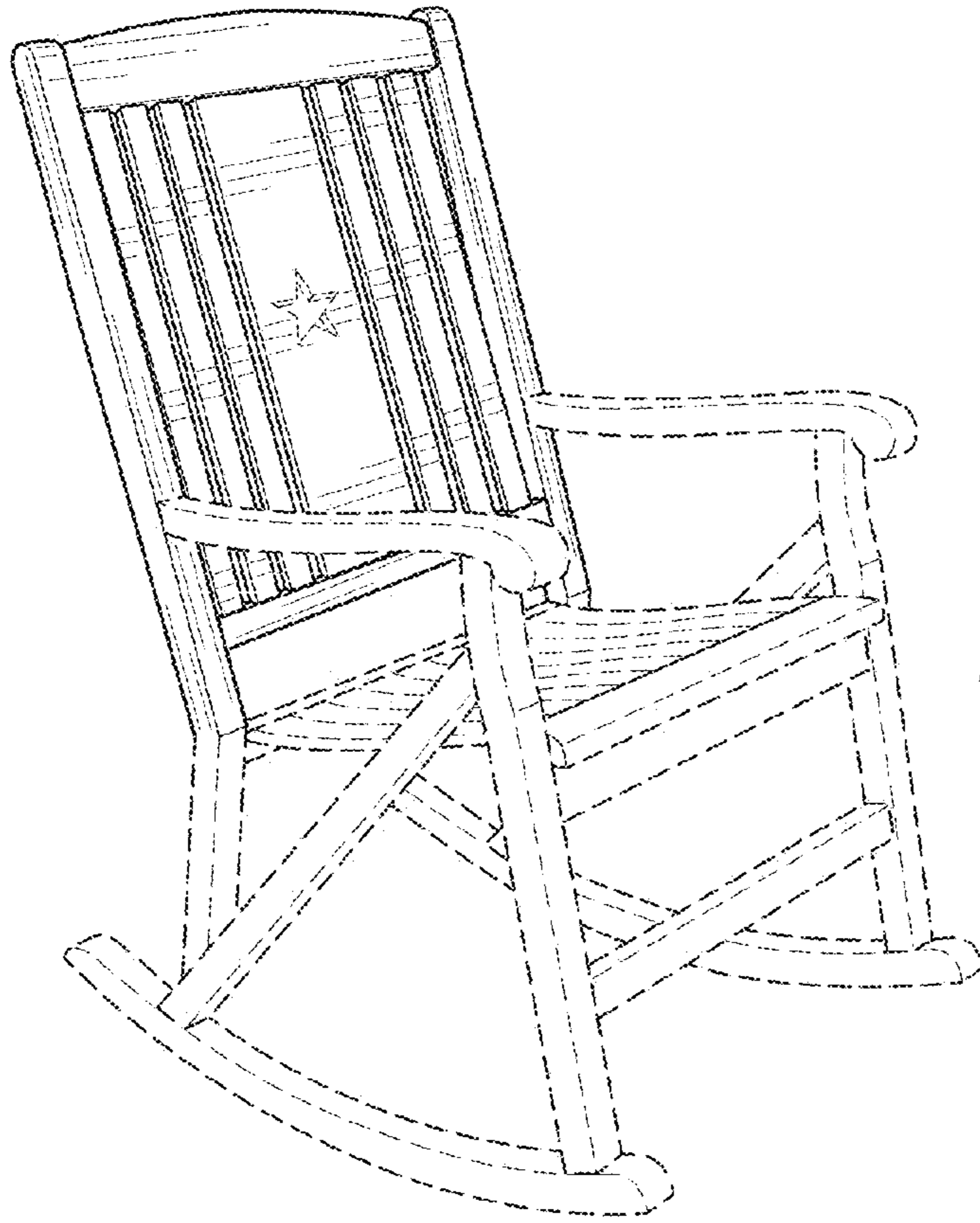


FIG. 15

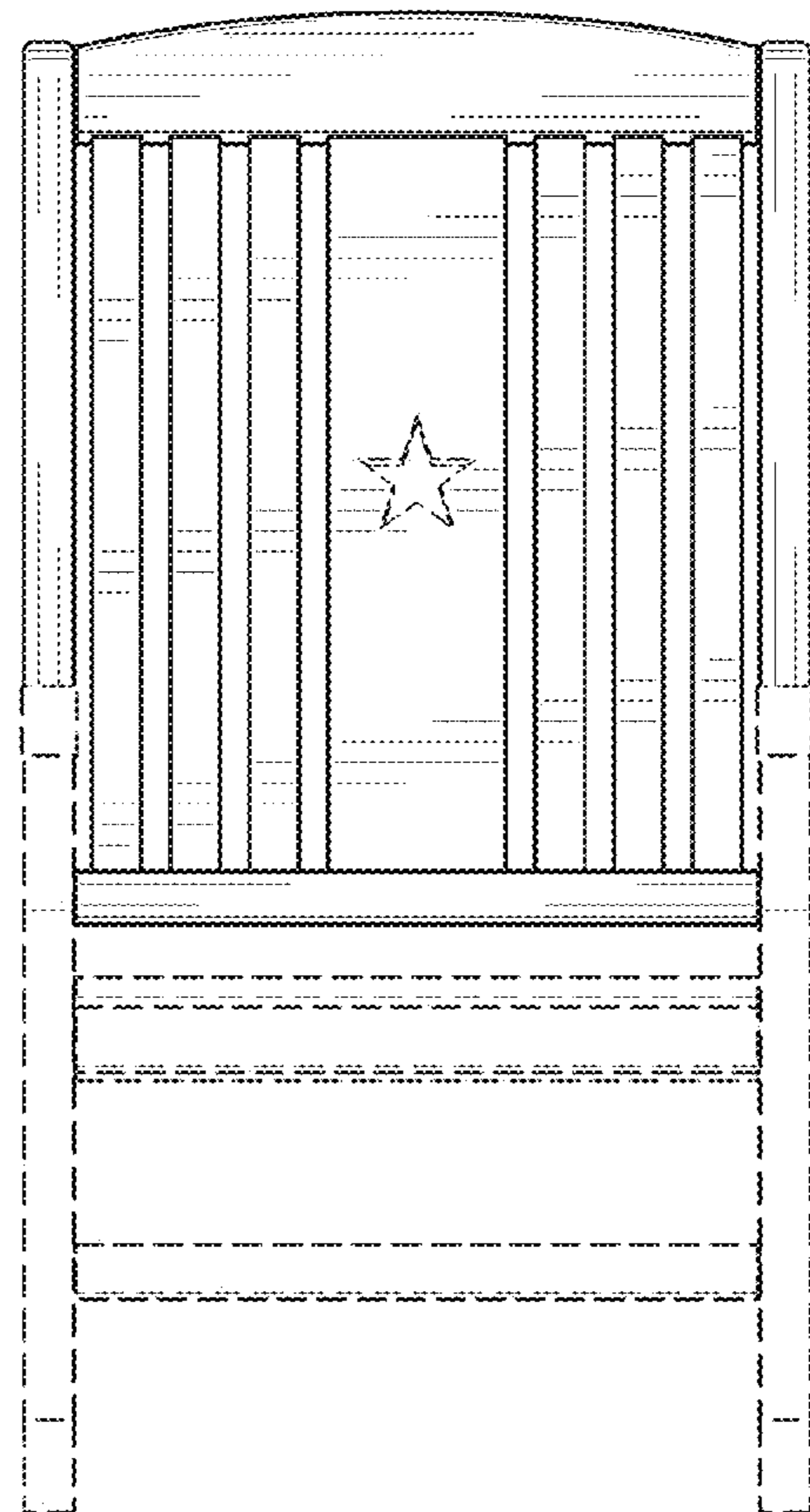


FIG. 16

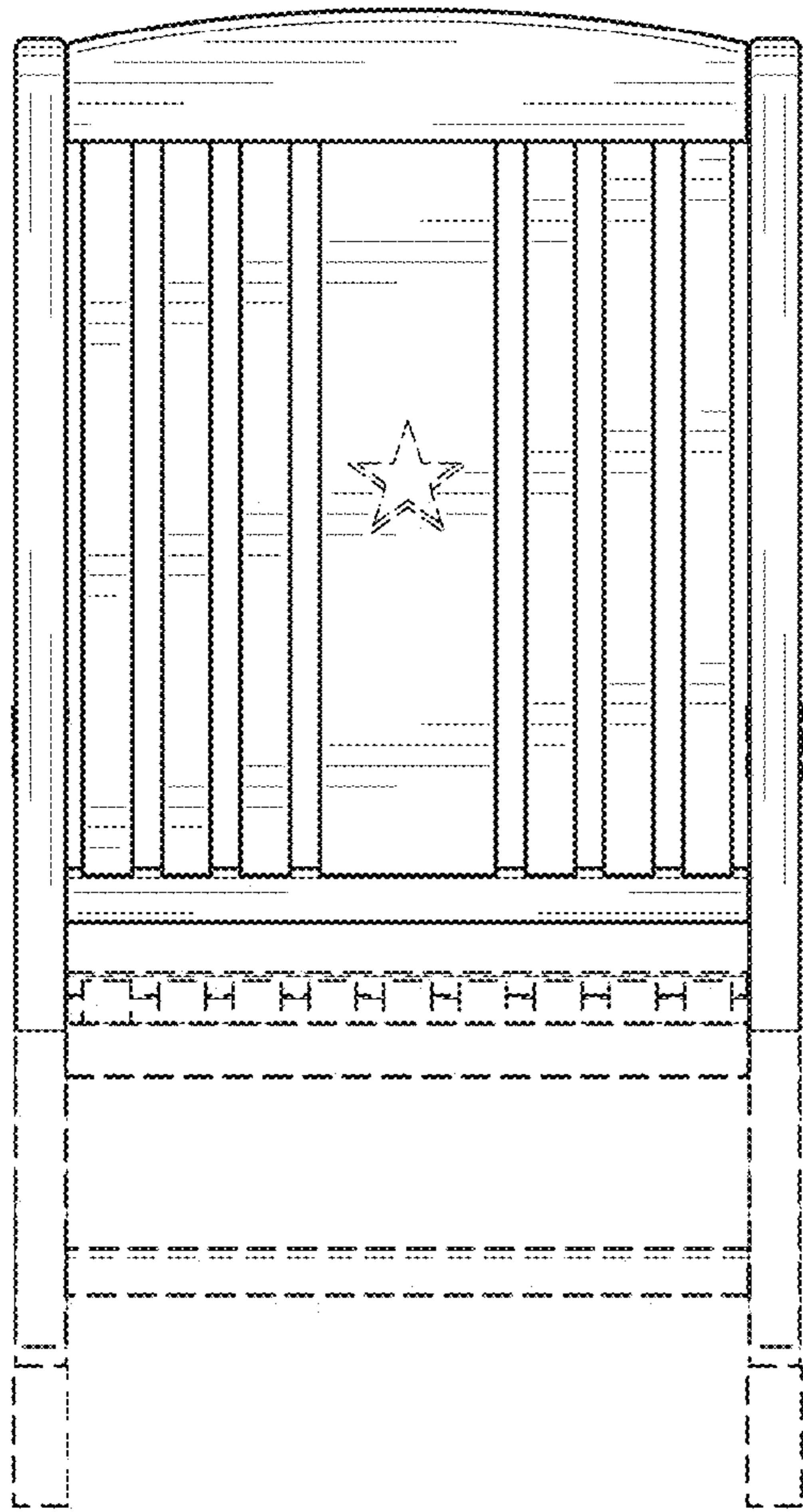


FIG. 17

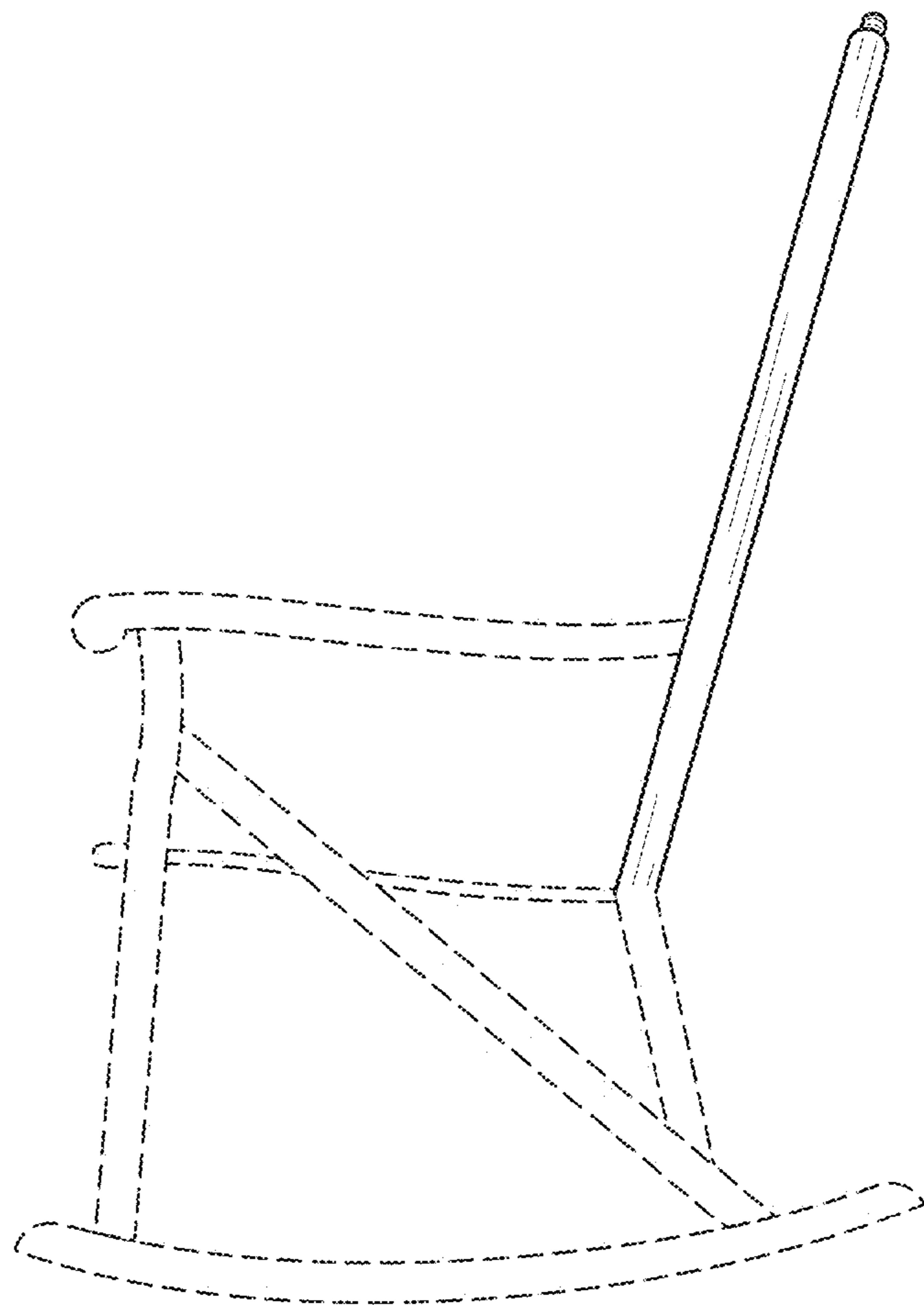


FIG. 18

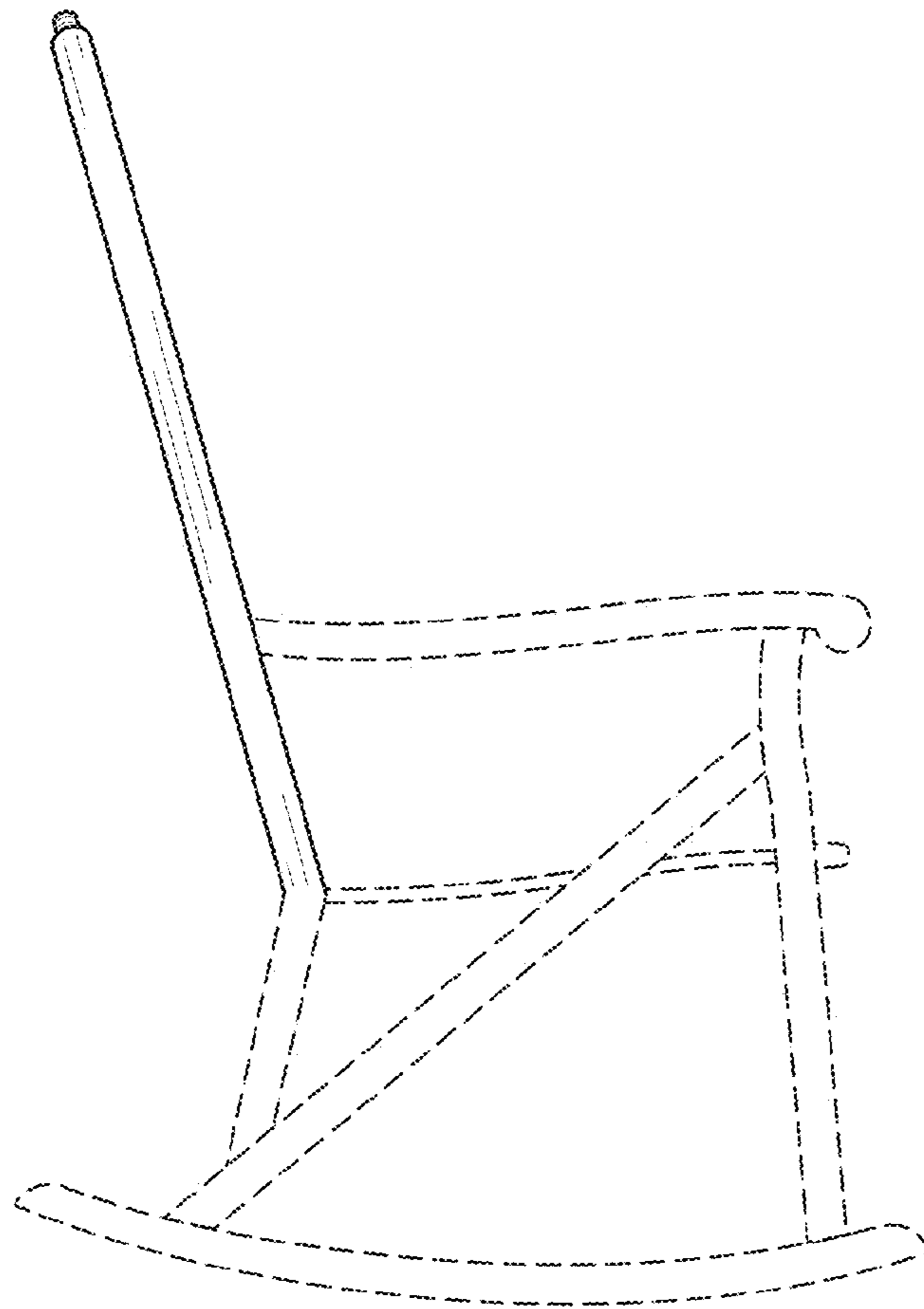


FIG. 19

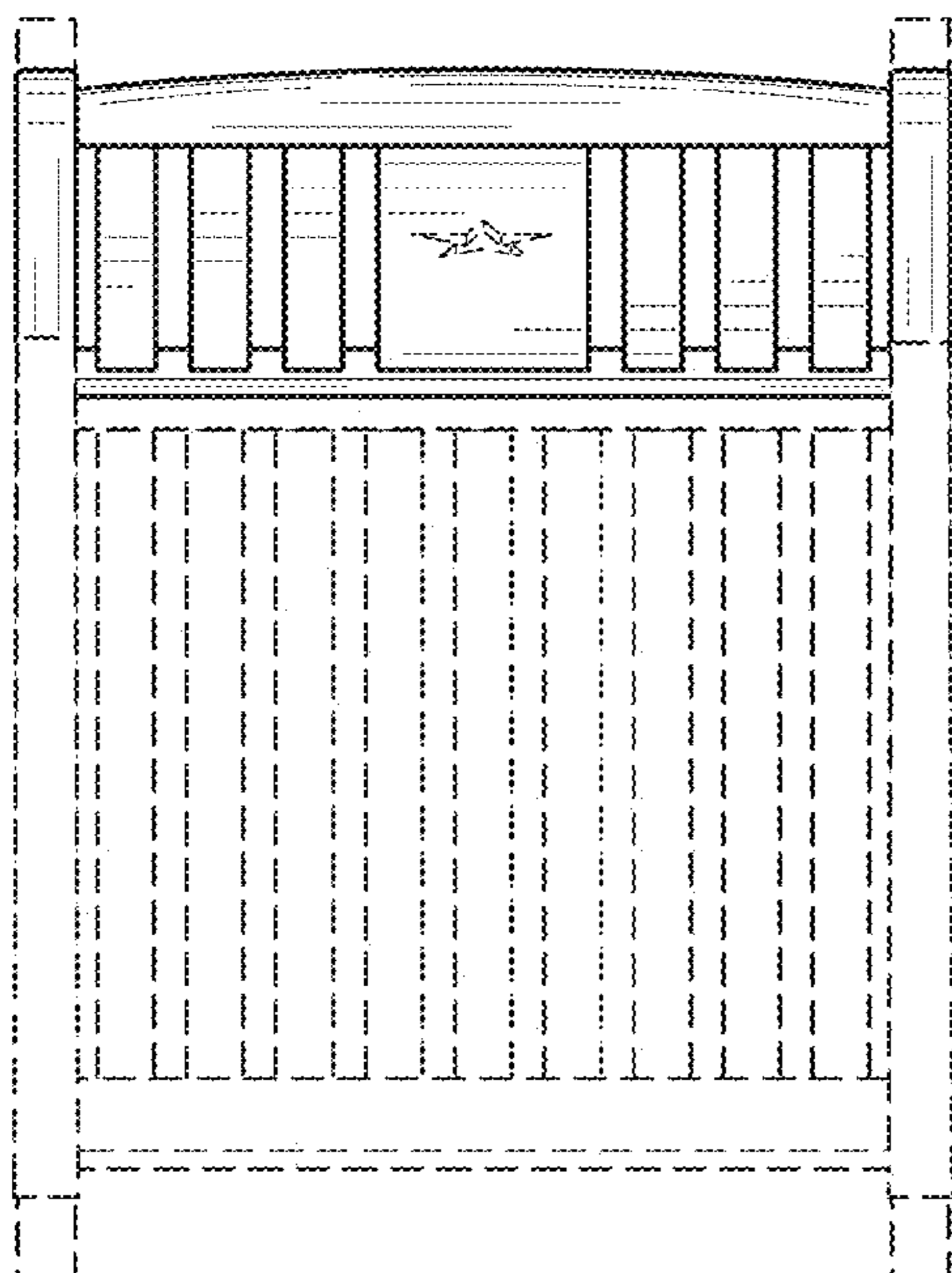


FIG. 20

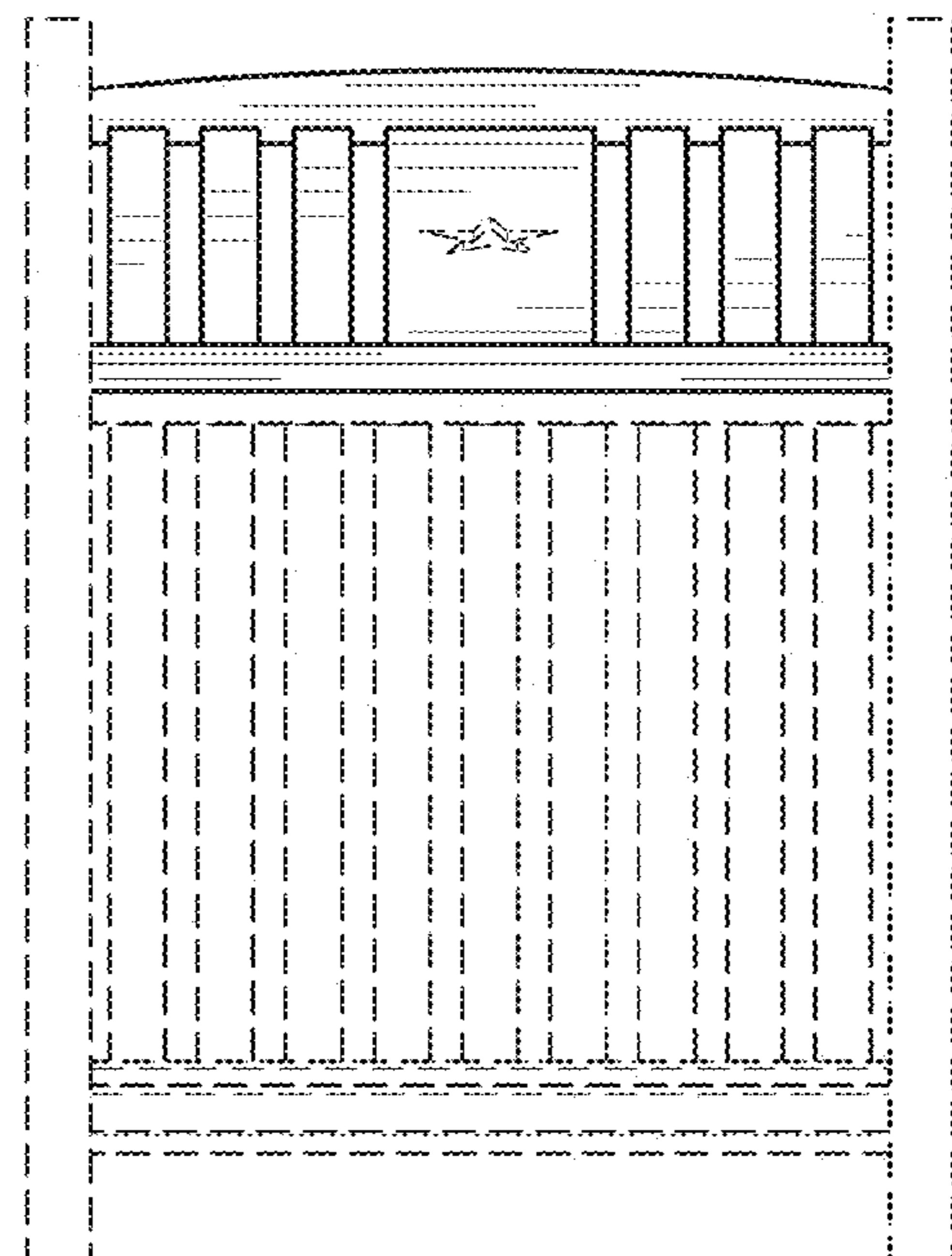


FIG. 21

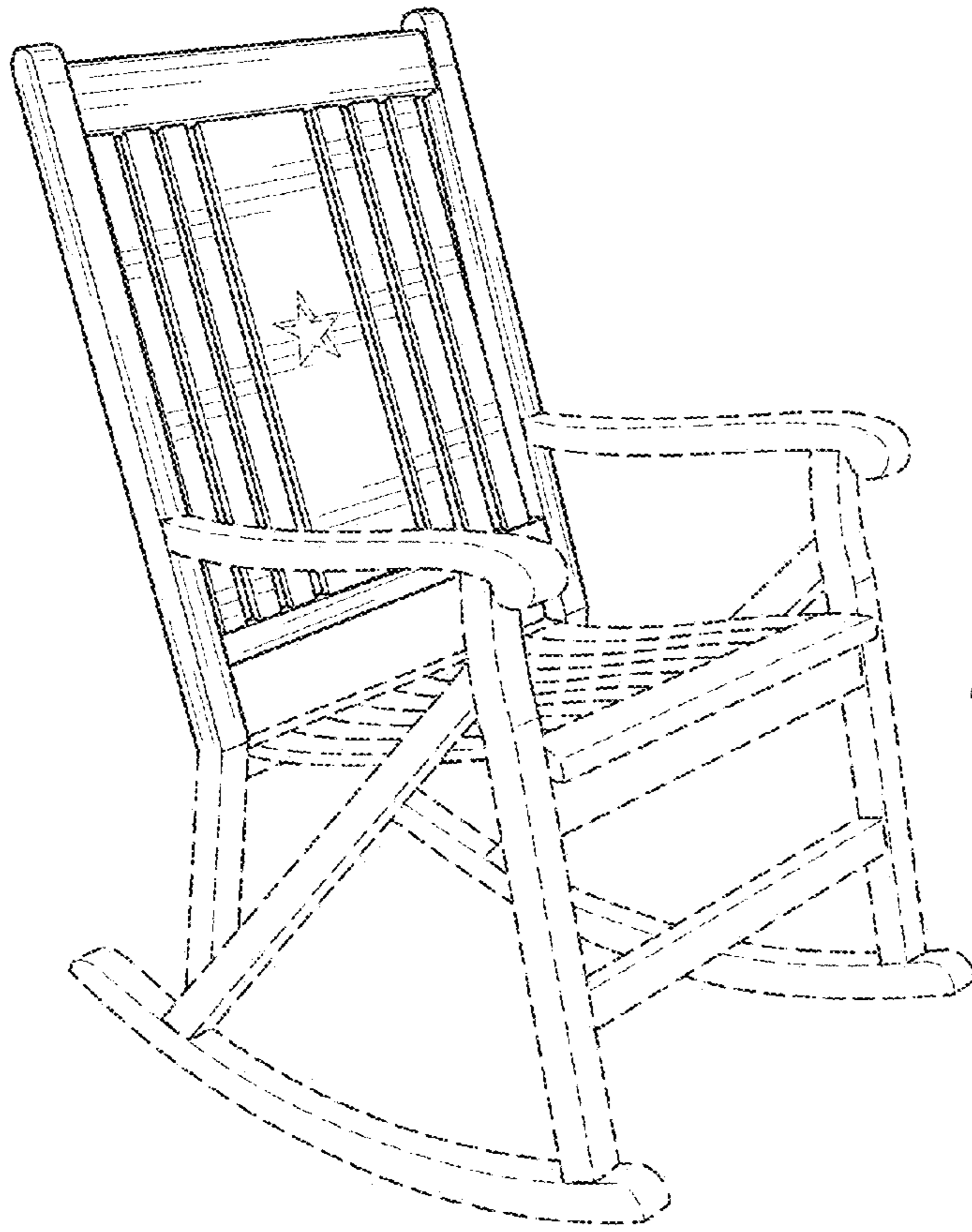


FIG. 22

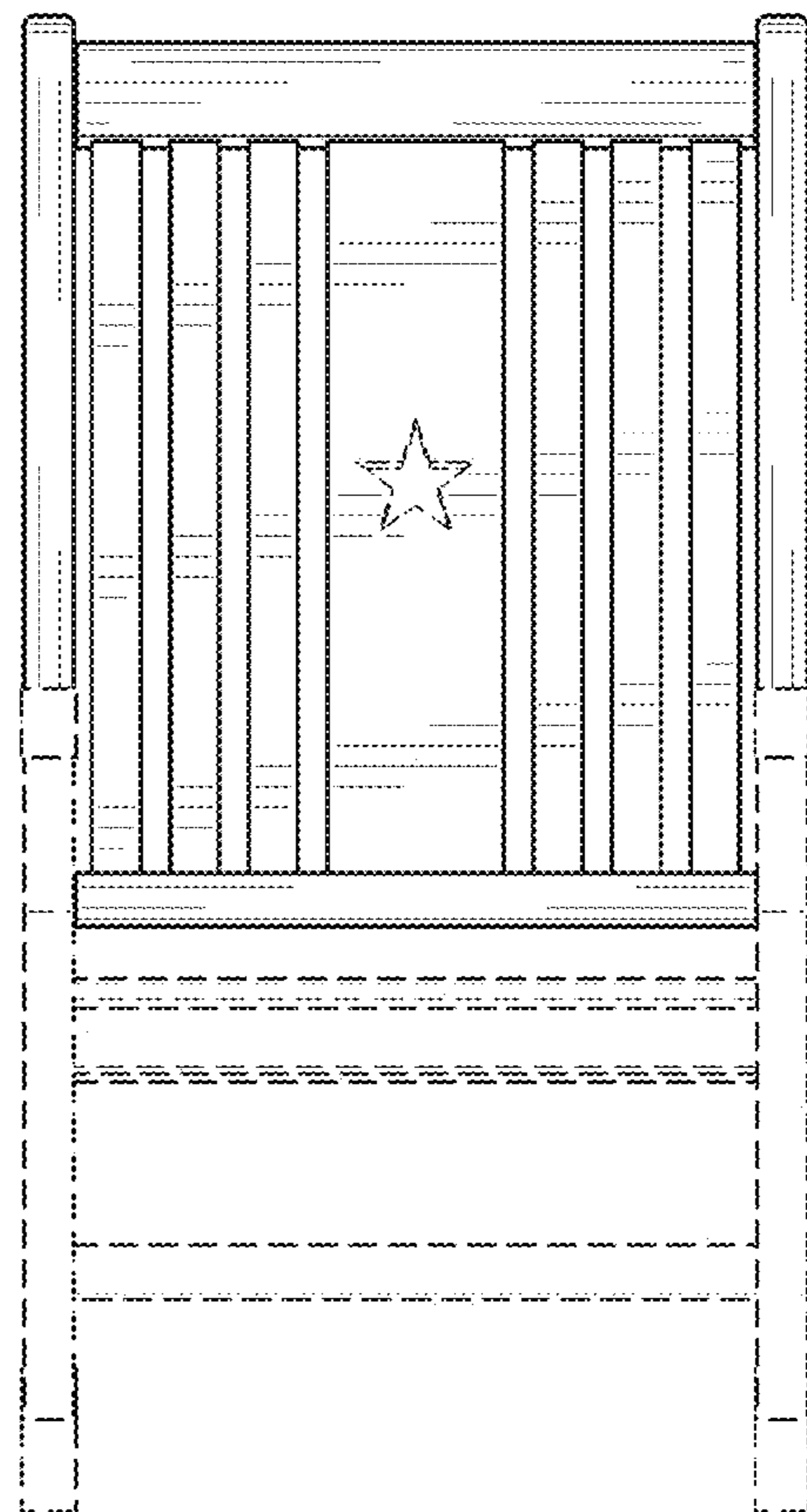


FIG. 23

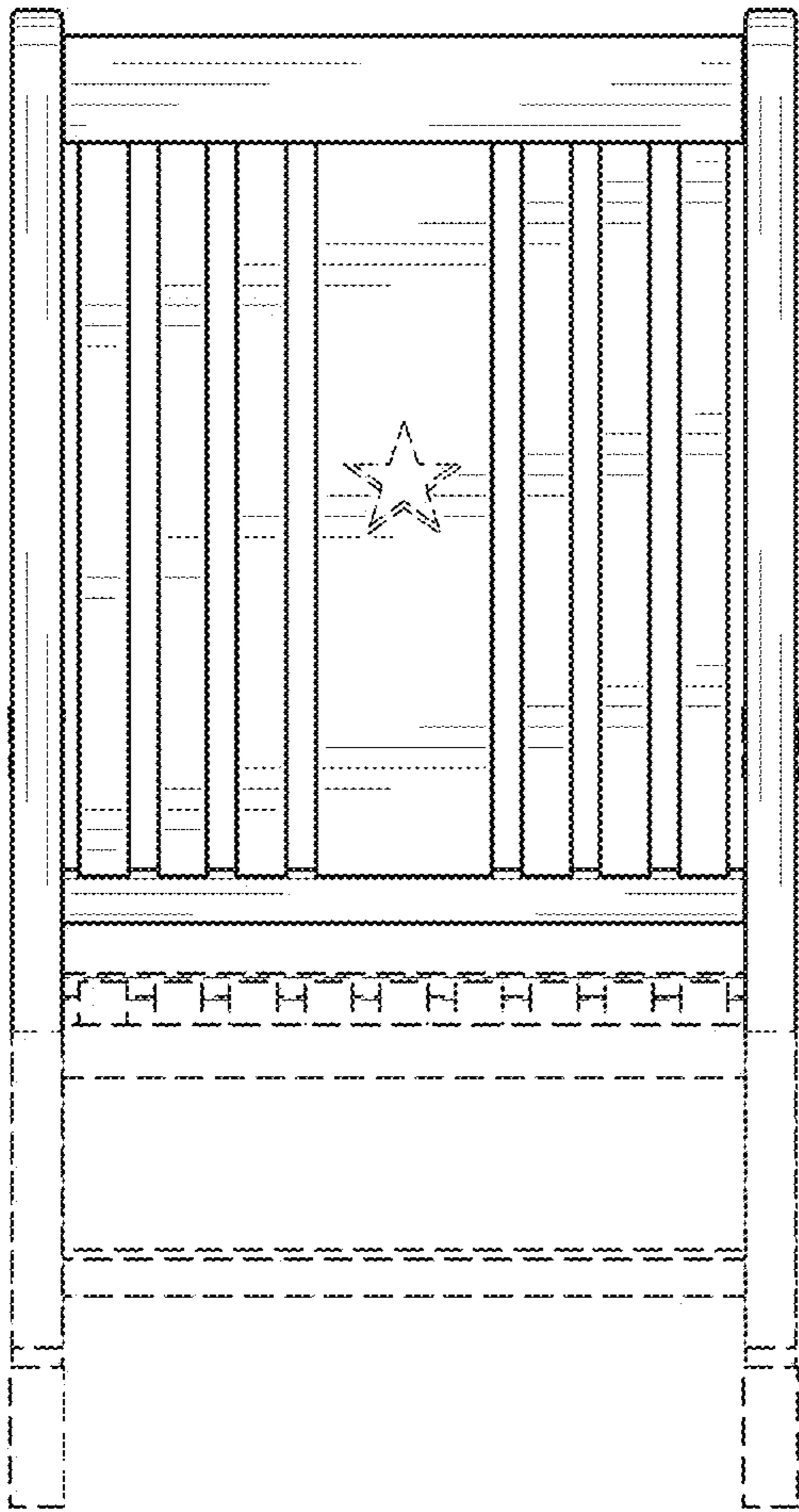


FIG. 24

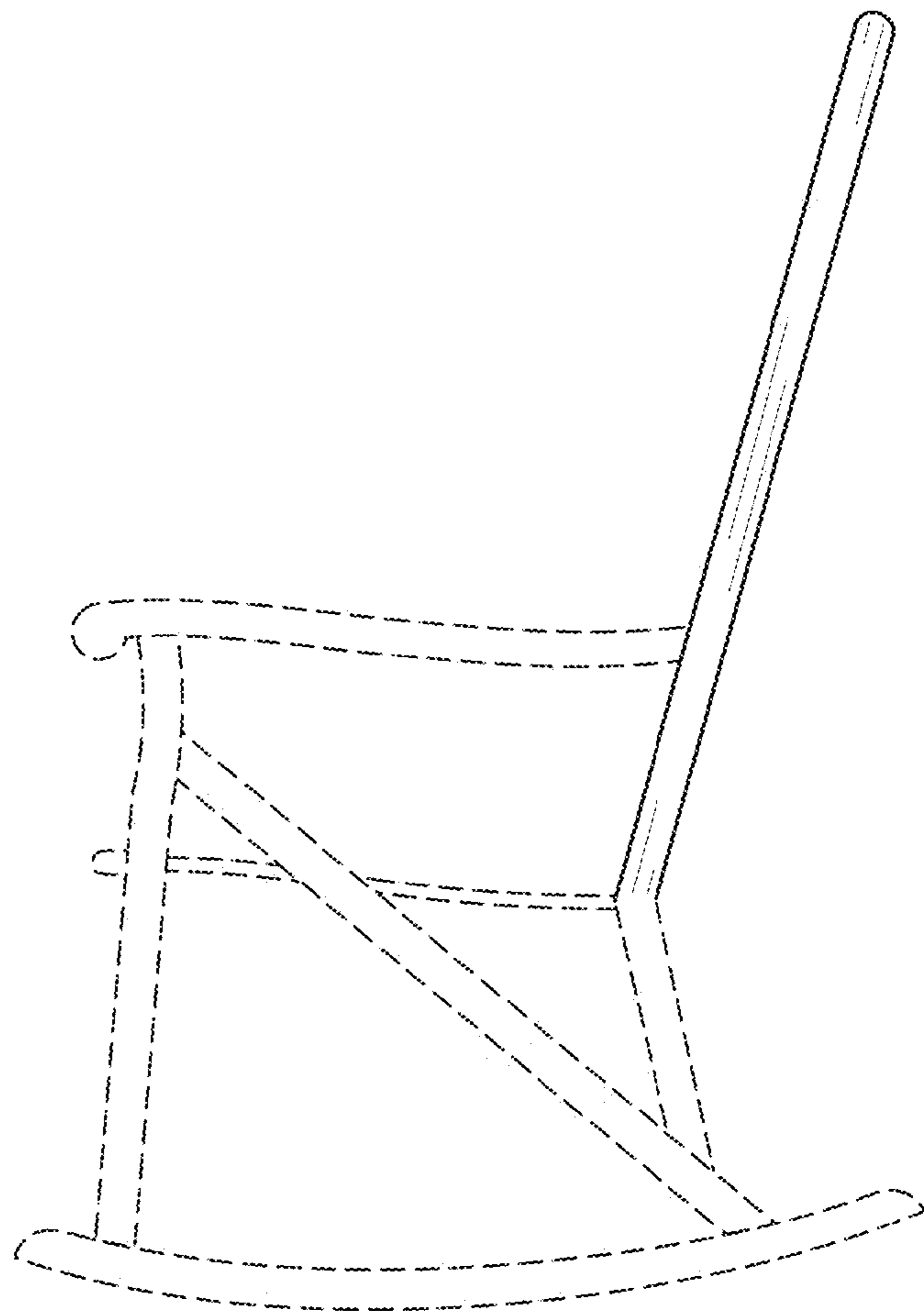


FIG. 25

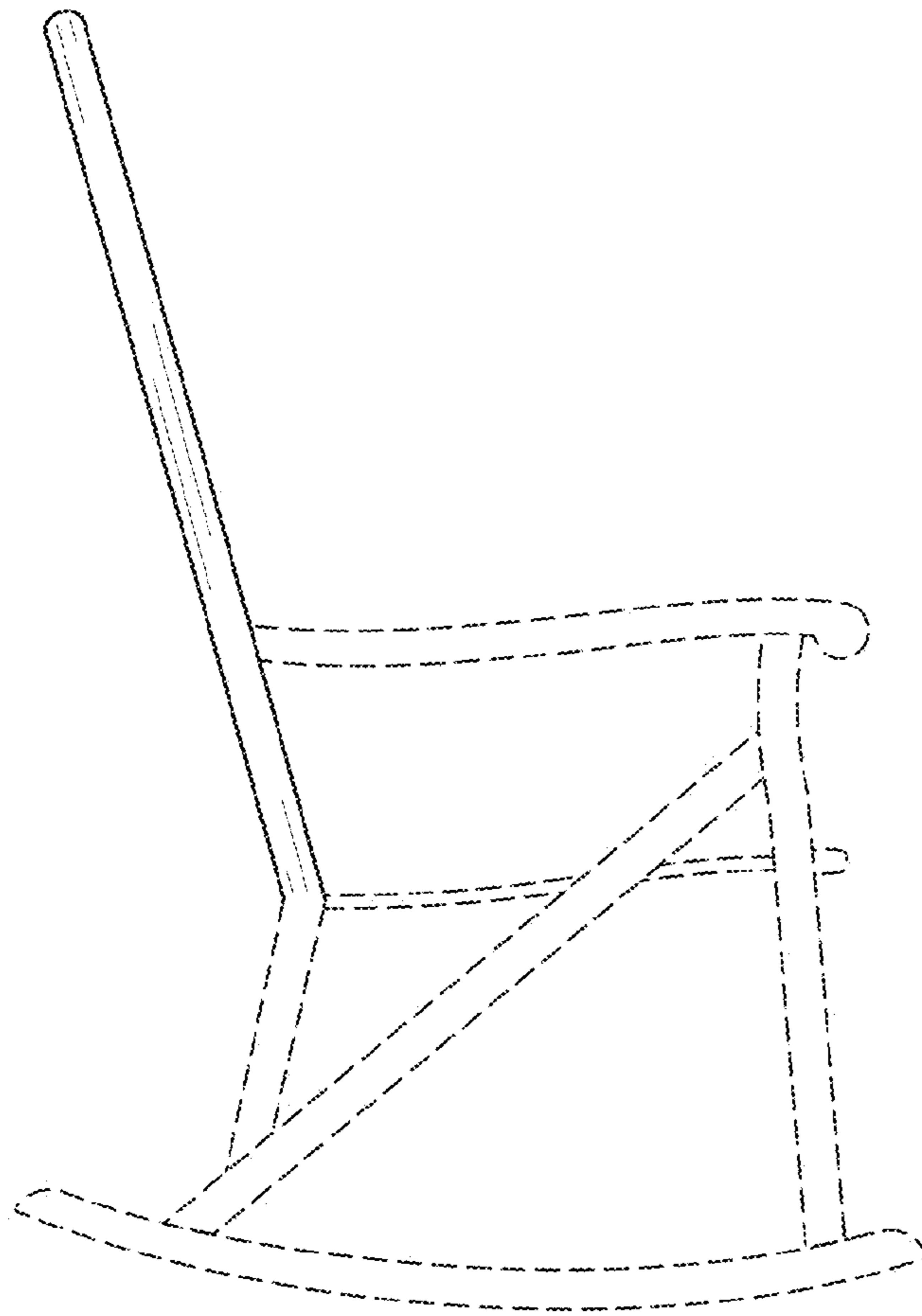


FIG. 26

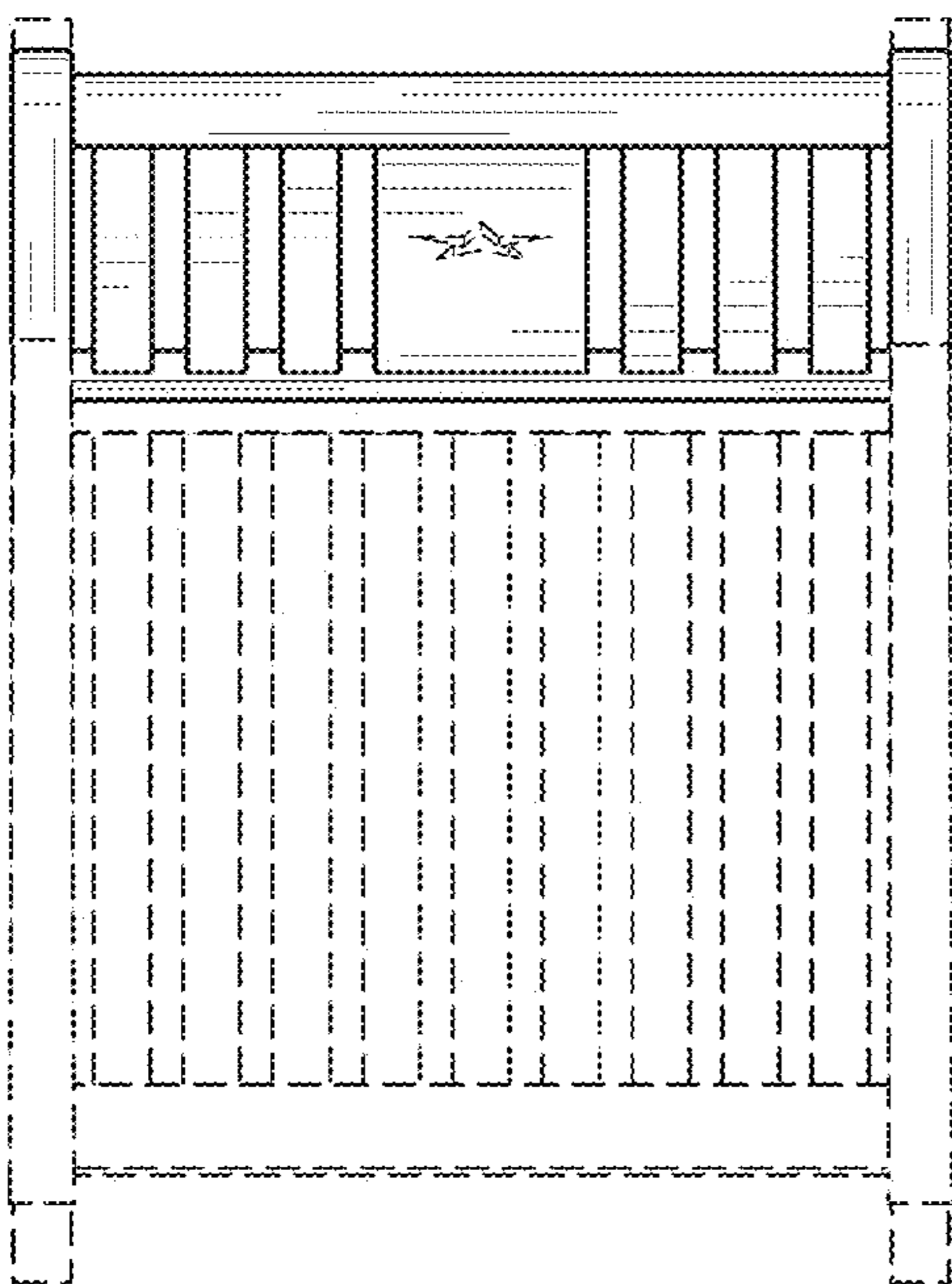


FIG. 27

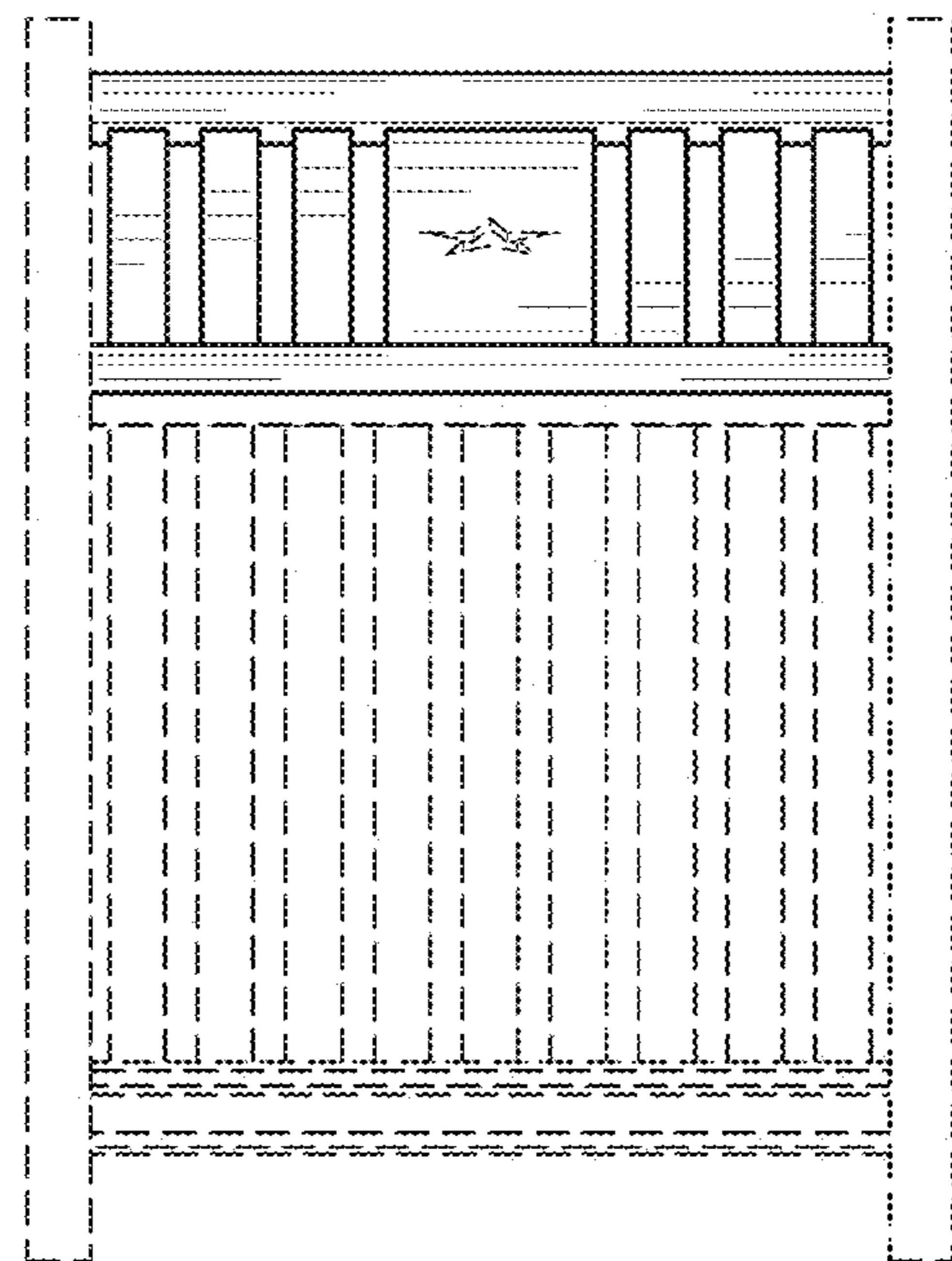


FIG. 28