



US00D935823S

(12) **United States Design Patent** (10) **Patent No.:** **US D935,823 S**
Boggs (45) **Date of Patent:** **** Nov. 16, 2021**

(54) **CHAIR**

(71) Applicant: **Brian Preston Boggs**, Asheville, NC
(US)

(72) Inventor: **Brian Preston Boggs**, Asheville, NC
(US)

(**) Term: **15 Years**

(21) Appl. No.: **29/714,643**

(22) Filed: **Nov. 25, 2019**

(51) **LOC (13) Cl.** **06-06**

(52) **U.S. Cl.**
USPC **D6/716.1**

(58) **Field of Classification Search**
USPC D6/334, 348, 370, 371, 374, 375, 376,
D6/379, 380, 716, 716.1, 716.4; D21/521
CPC A47C 31/003; A47C 31/008; A47C 3/025;
A47C 13/00; A47C 5/02; A47C 5/08;
A47B 85/04
See application file for complete search history.

(56) **References Cited**

U.S. PATENT DOCUMENTS

D189,348 S * 11/1960 Lubberts et al. D6/380
D233,811 S * 12/1974 Noda et al. D6/380

D289,120 S * 4/1987 Chadwick D6/380
D462,192 S * 9/2002 Jaccoma D6/380
D514,359 S * 2/2006 Risdon D6/370
D518,658 S * 4/2006 Katz D6/379
D651,014 S * 12/2011 Jordan D6/374
D764,849 S * 8/2016 Piretti D6/716
D803,597 S * 11/2017 Massaud D6/375
D903,360 S * 12/2020 Stevens D6/375
2019/0335915 A1 * 11/2019 Wang A47C 31/023

* cited by examiner

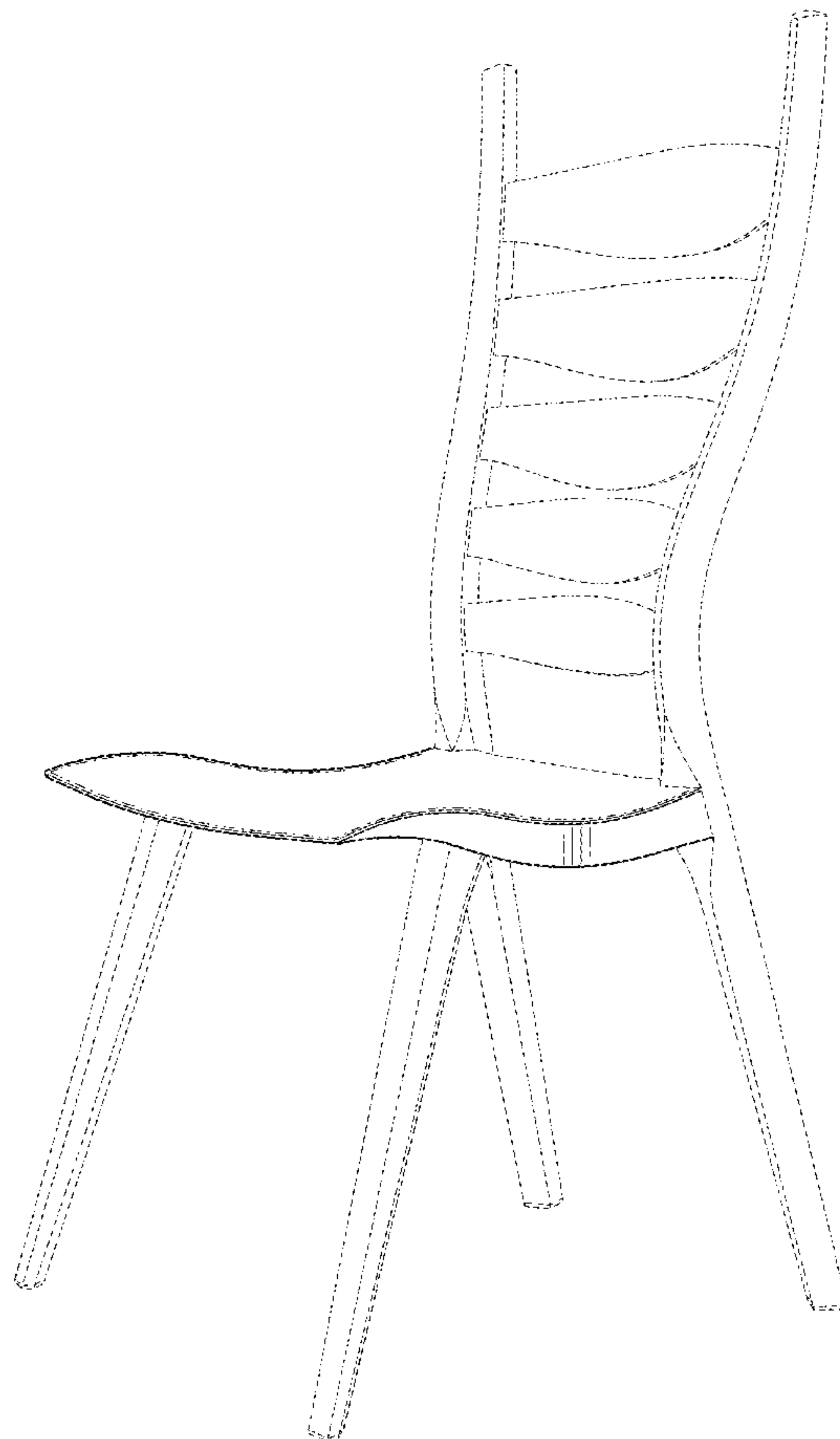
Primary Examiner — Kevin K Rudzinski
Assistant Examiner — Paul D Bohannon

(57) **CLAIM**
The ornamental design for a chair, as shown and described.

DESCRIPTION

FIG. 1 is a perspective view of a chair.
FIG. 2 is a front view of the chair of FIG. 1.
FIG. 3 is a rear view of the chair of FIG. 1.
FIG. 4 is a side view of the chair of FIG. 1.
FIG. 5 is a side view of the chair of FIG. 1.
FIG. 6 is a top view of the chair of FIG. 1; and,
FIG. 7 is a bottom view of the chair of FIG. 1.
The dash dot dash broken lines illustrate boundaries of the claimed design. The dash dash dash broken lines illustrate unclaimed portions of the chair.

1 Claim, 7 Drawing Sheets



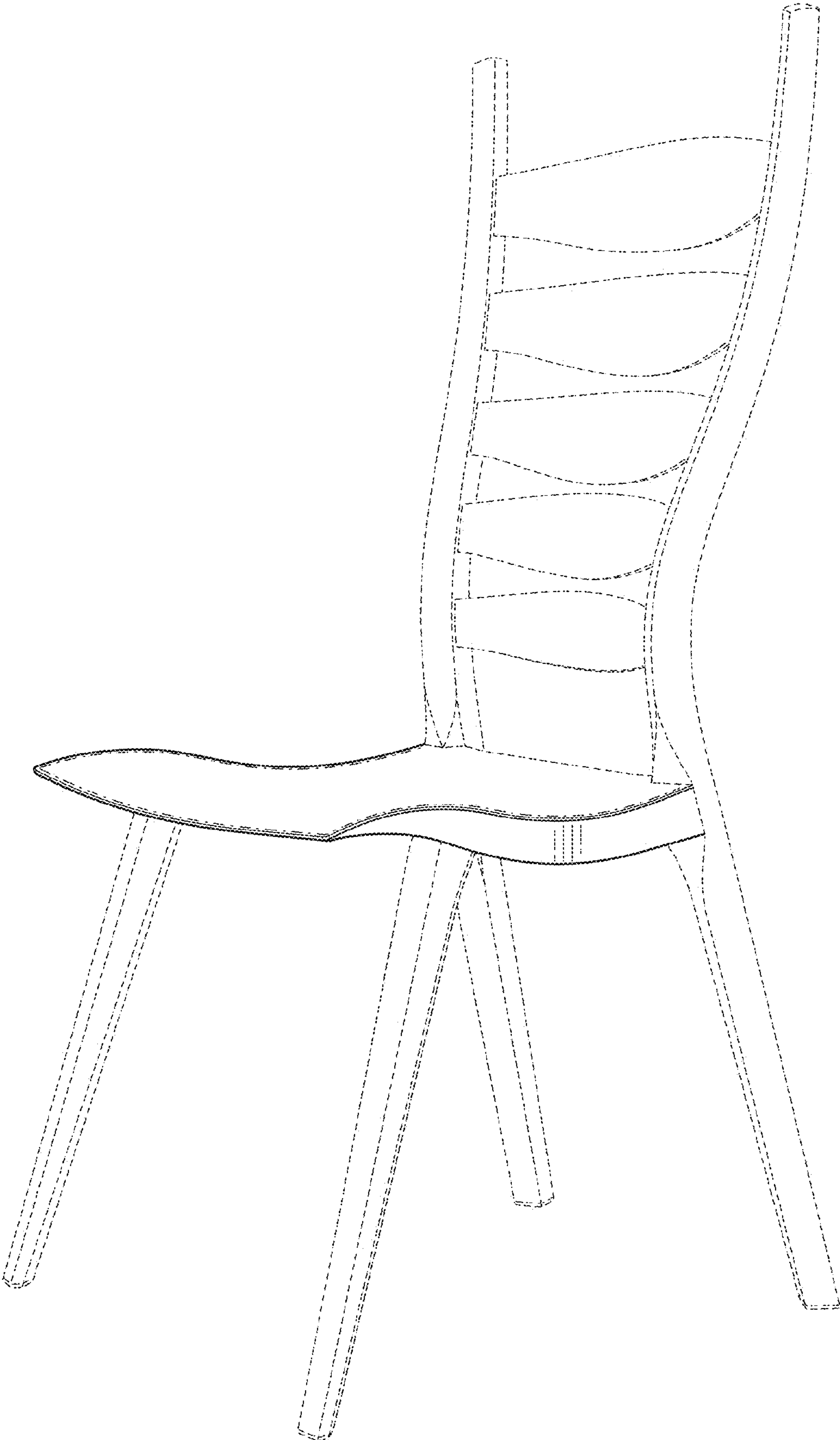


FIG. 1

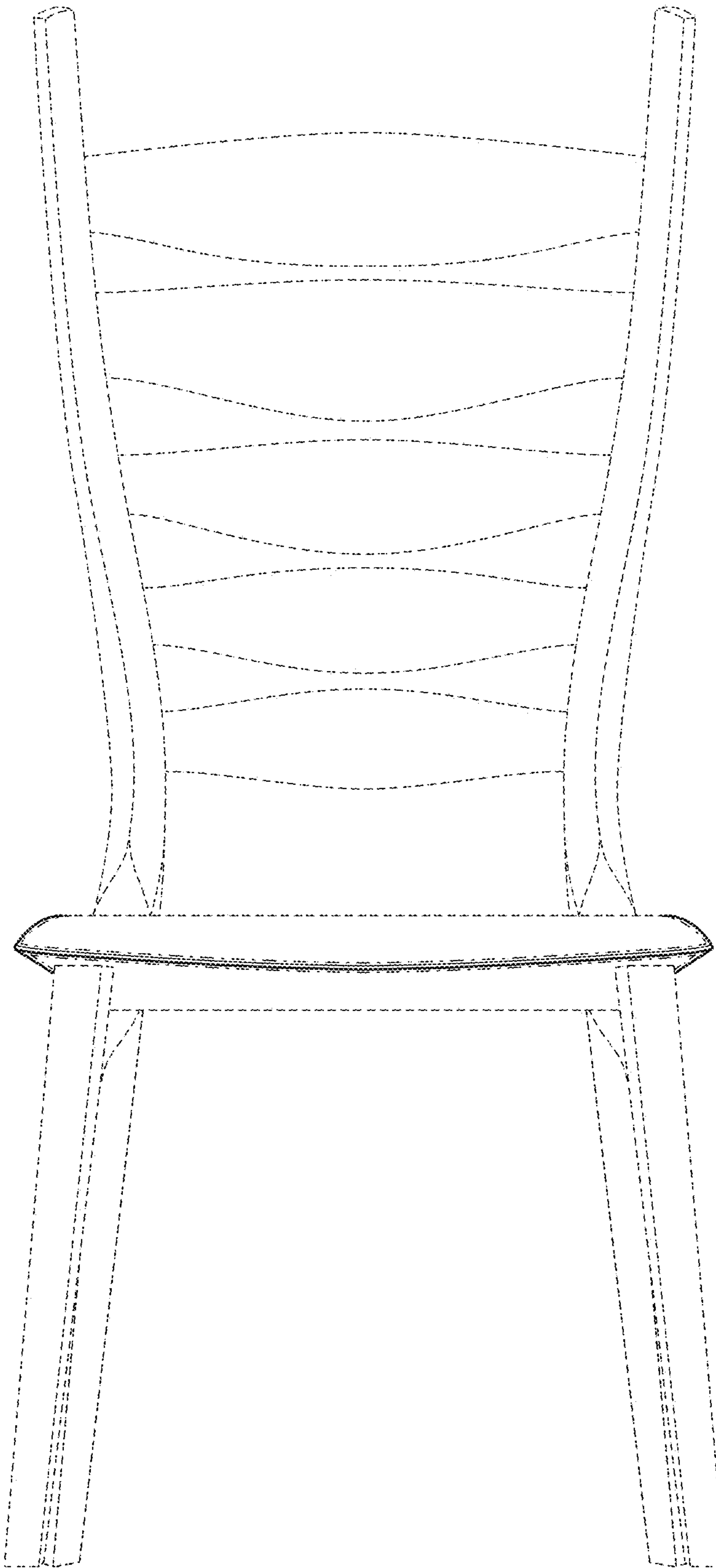


FIG. 2

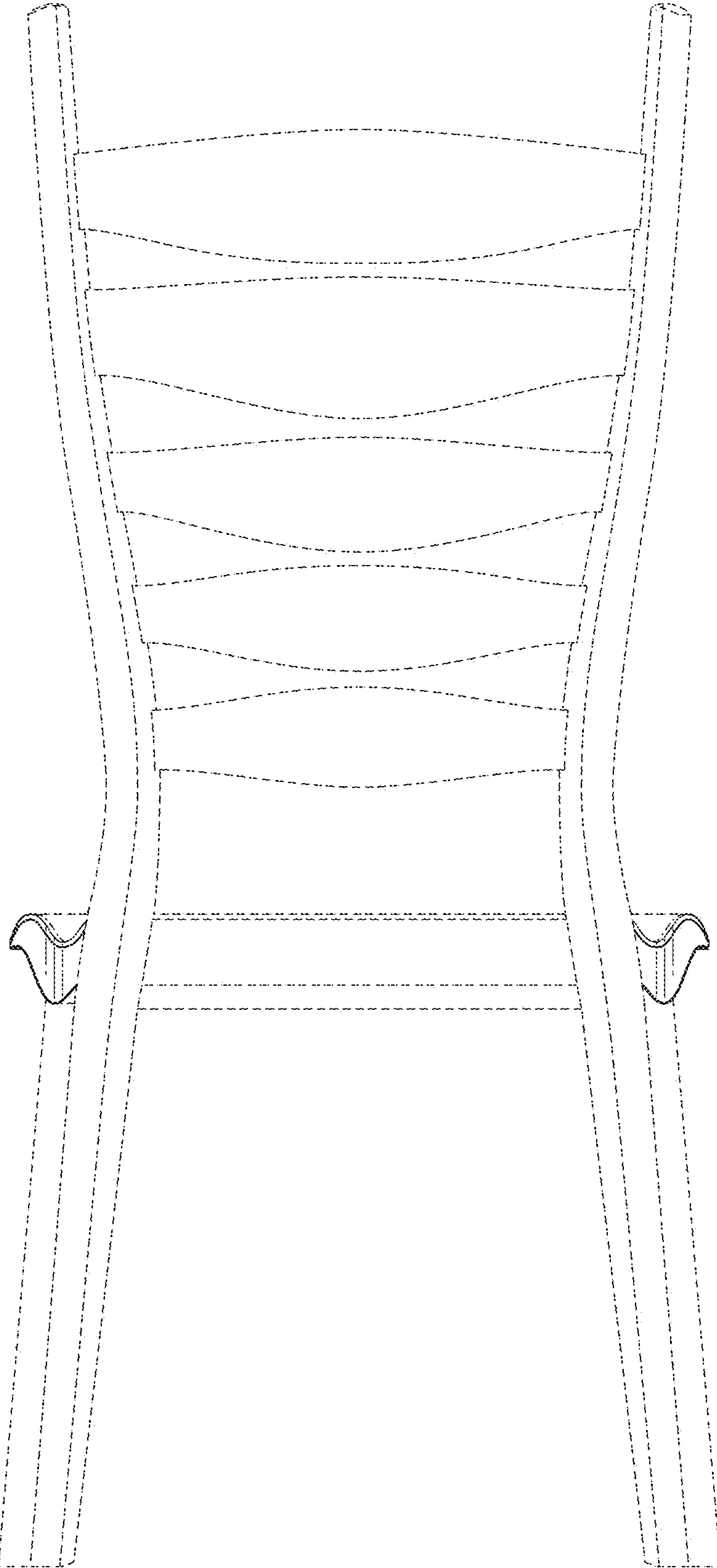


FIG. 3

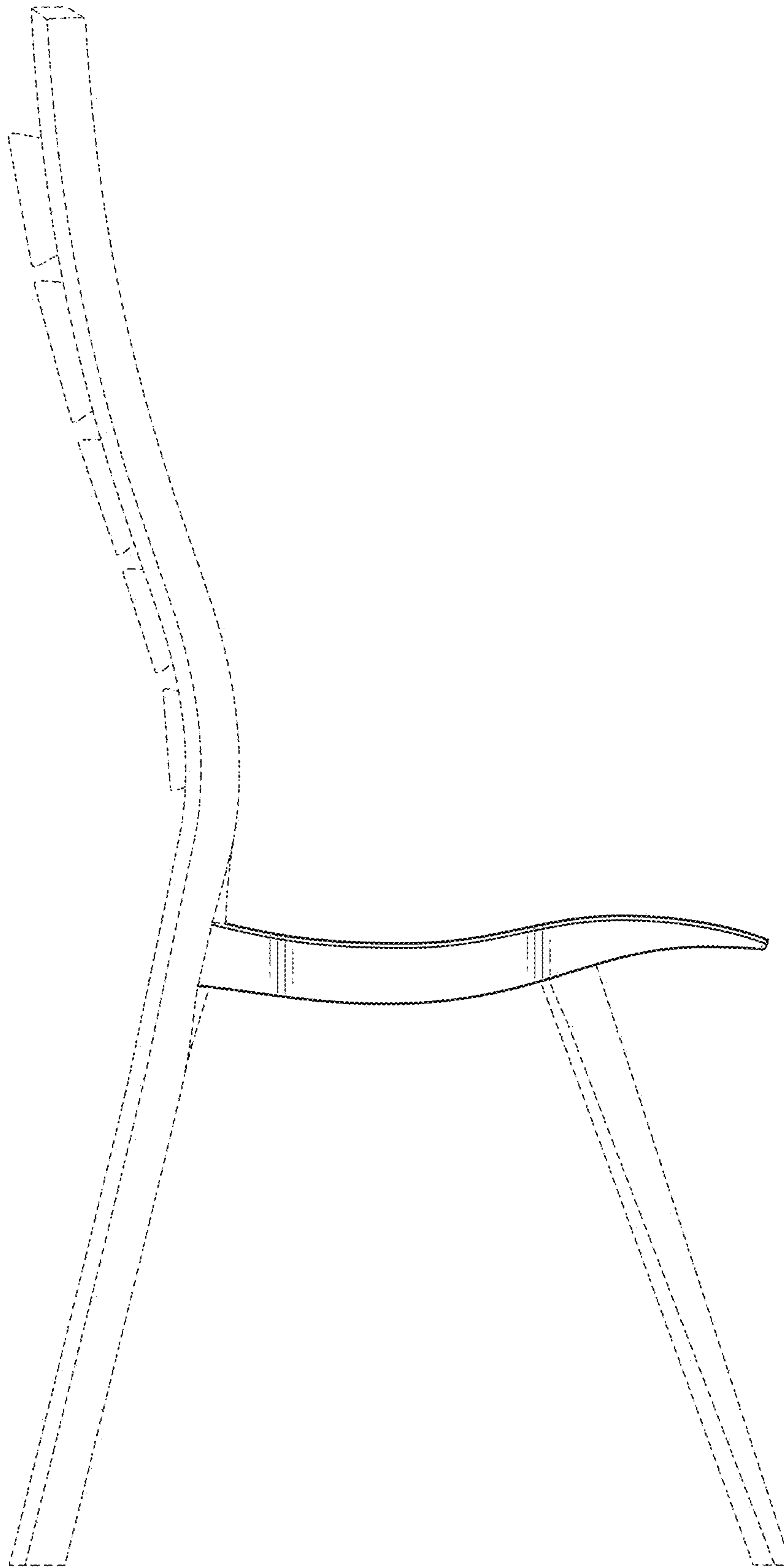


FIG. 4

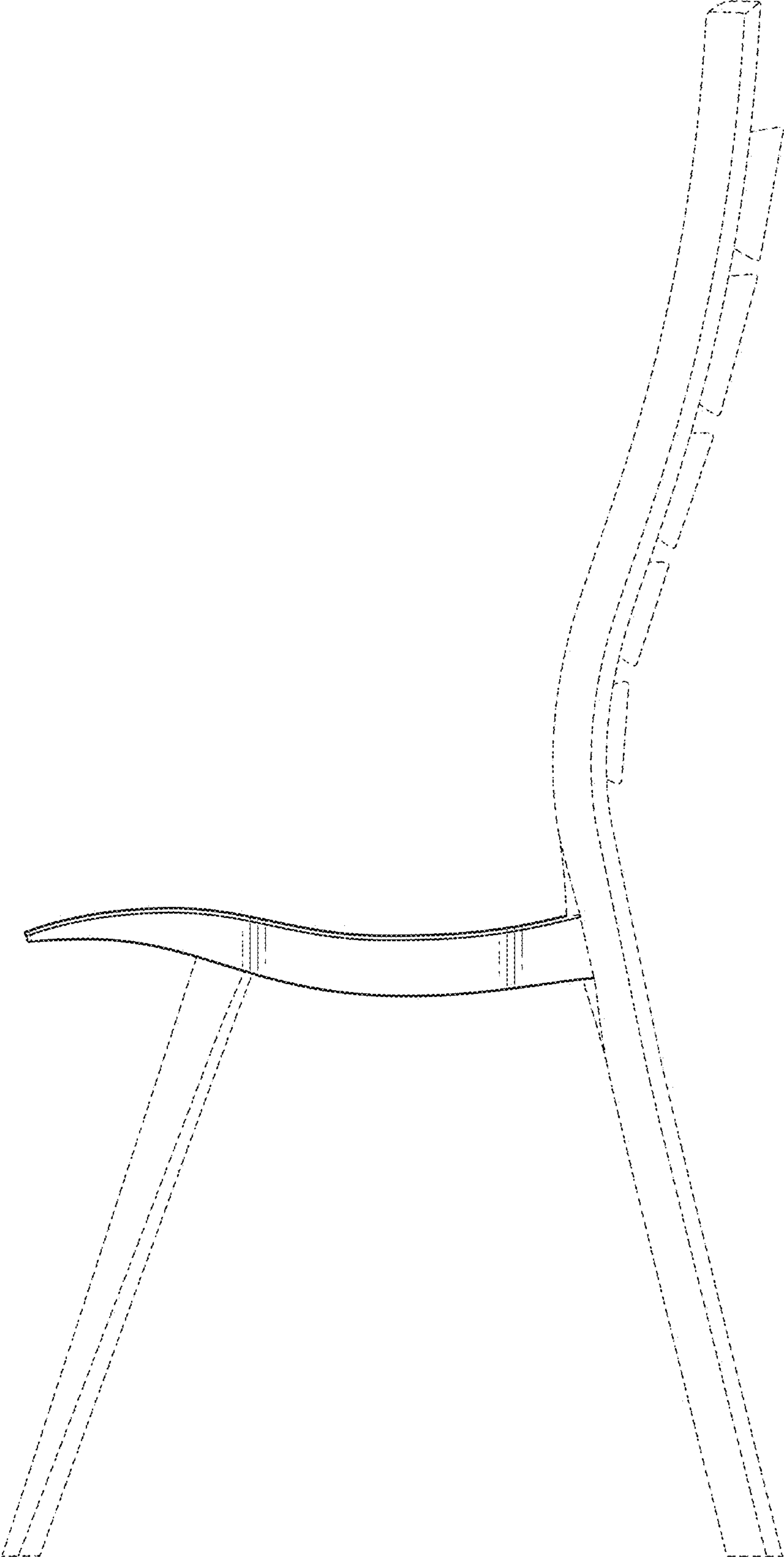


FIG. 5

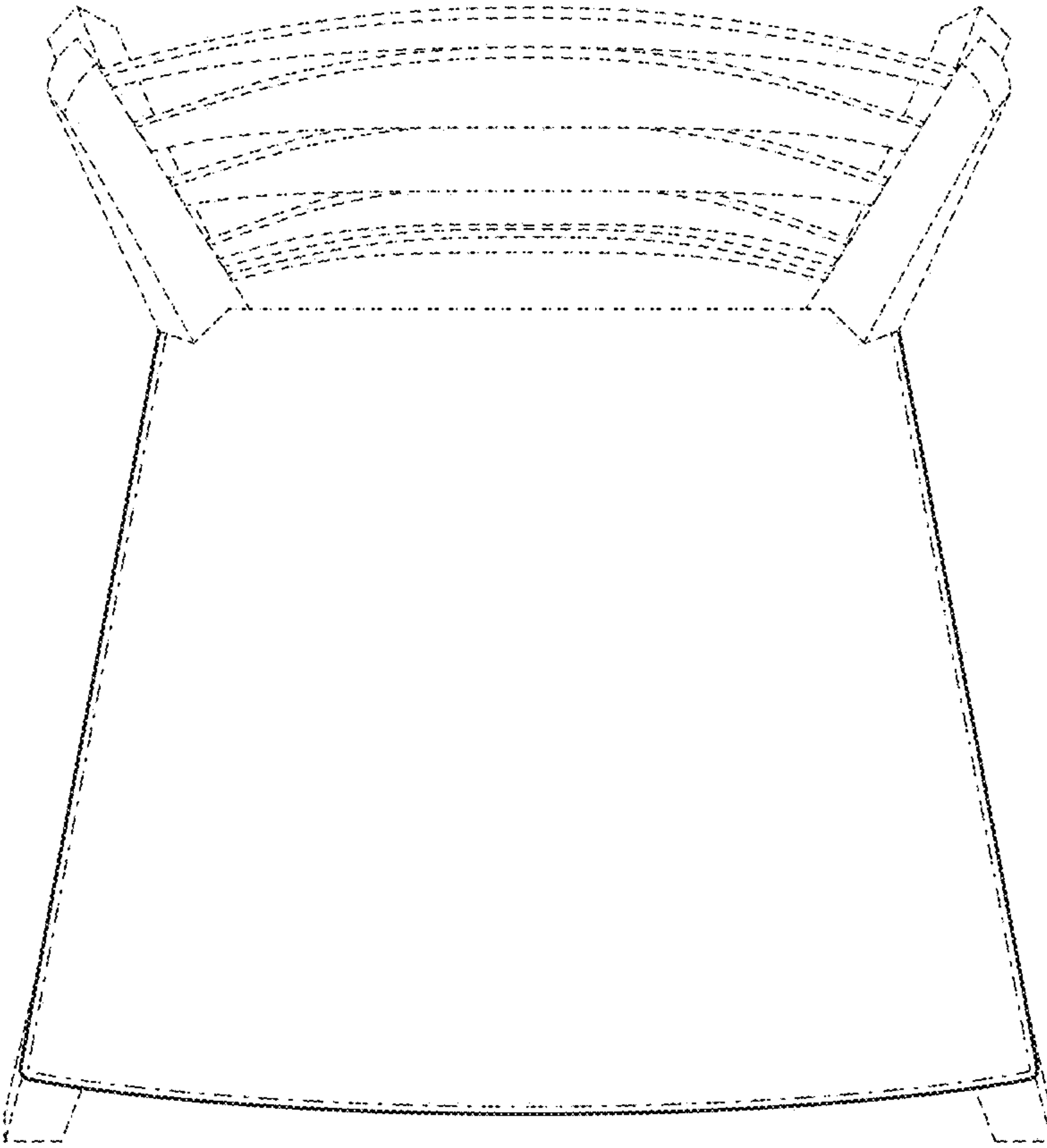


FIG. 6

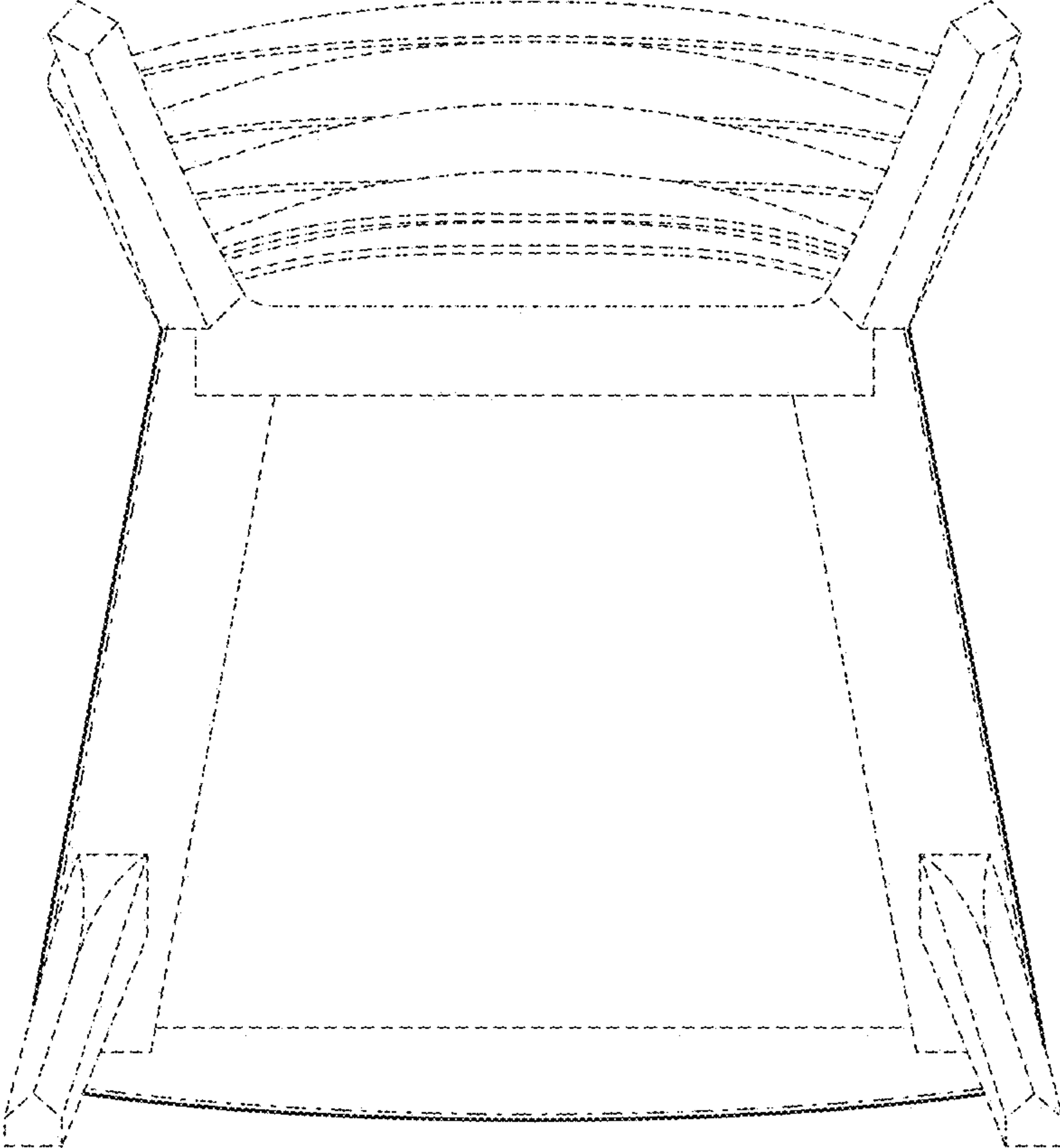


FIG. 7