



US00D935822S

(12) **United States Design Patent**
Wang

(10) **Patent No.:** **US D935,822 S**

(45) **Date of Patent:** **** Nov. 16, 2021**

(54) **CHAIR**

(71) Applicant: **Henglin Home Furnishings Co., Ltd.**,
Zhejiang Province (CN)

(72) Inventor: **Jianglin Wang**, Zhejiang (CN)

(73) Assignee: **Henglin Home Furnishings Co., Ltd.**,
Zhejiang (CN)

(**) Term: **15 Years**

(21) Appl. No.: **29/740,677**

(22) Filed: **Jul. 7, 2020**

(51) **LOC (13) Cl.** **06-01**

(52) **U.S. Cl.**
USPC **D6/716**

(58) **Field of Classification Search**
USPC D6/334, 356, 361, 366, 367, 374, 375,
D6/378, 380, 381, 716, 716.1, 716.4
CPC A47C 3/0257; A47C 3/16; A47C 3/18;
A47C 3/20; A47C 3/26; A47C 1/02;
A47C 1/03255; A47C 7/18; A47C 7/24;
A47C 7/29; A47C 7/36; A47C 7/38;
A47C 7/40; A47C 7/46; A47C 7/54;
A47C 7/282; A47C 11/00
See application file for complete search history.

(56) **References Cited**

U.S. PATENT DOCUMENTS

D549,474 S * 8/2007 Wagner D6/366
D610,822 S * 3/2010 Chen D6/366

D638,635 S * 5/2011 Sander D6/366
D661,916 S * 6/2012 Chen D6/366
D766,605 S * 9/2016 Li D6/366
D863,802 S * 10/2019 Wang D6/366
D888,450 S * 6/2020 Zhou D6/366
D907,947 S * 1/2021 Wang D6/716
D924,593 S * 7/2021 Chen D6/366
D924,594 S * 7/2021 Zhong D6/366
2021/0007491 A1 * 1/2021 Budiman A47C 7/383

* cited by examiner

Primary Examiner — R. Johnson

(74) *Attorney, Agent, or Firm* — JCIP Global Inc.

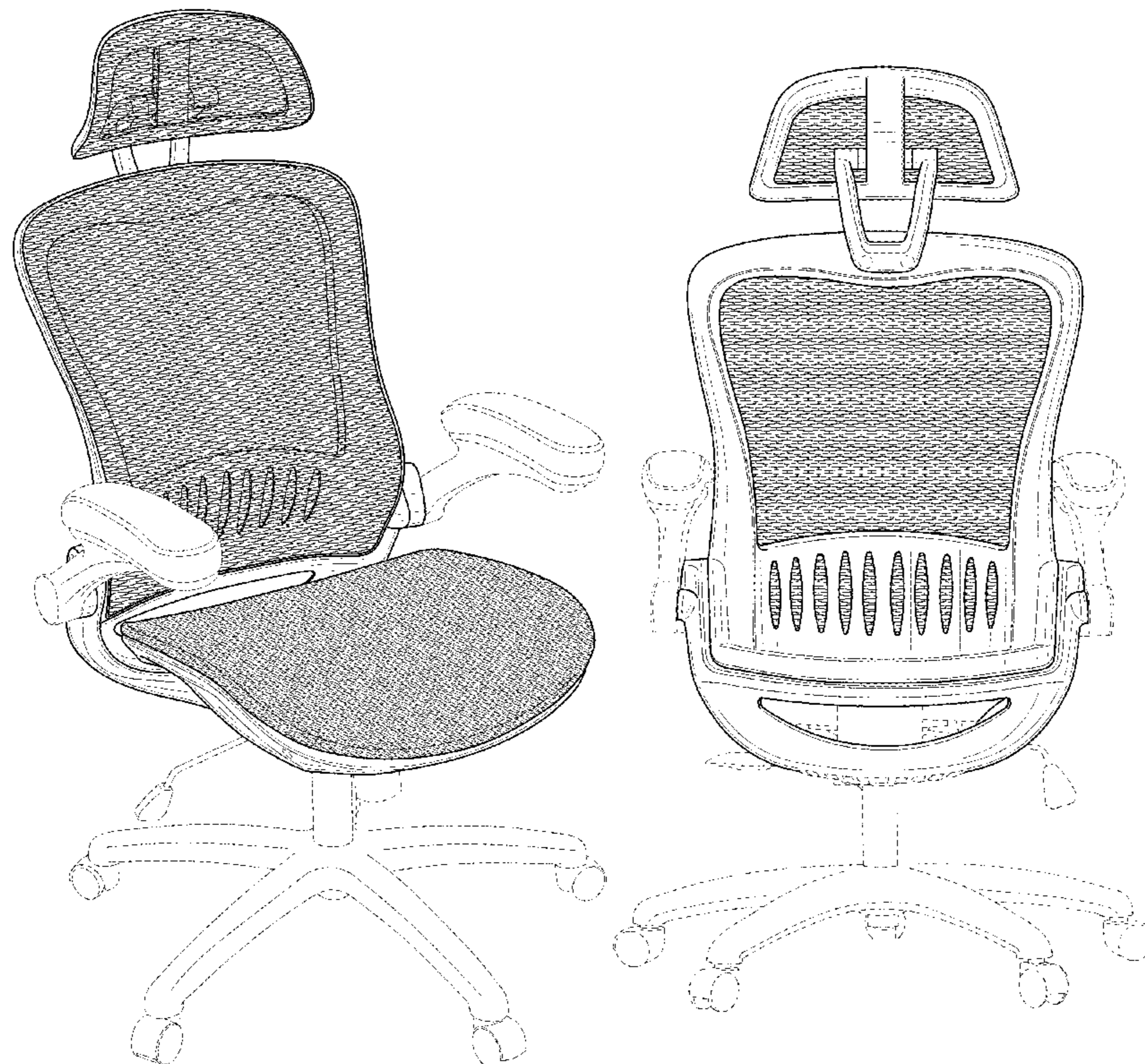
(57) **CLAIM**

The ornamental design for a chair, as shown and described.

DESCRIPTION

FIG. 1 is a perspective view of a chair showing my new design;
FIG. 2 is a front view thereof;
FIG. 3 is a rear view thereof;
FIG. 4 is a left side view thereof;
FIG. 5 is a right side view thereof; and,
FIG. 6 is a top view thereof.
A bottom view thereof is omitted since it does not contain ornamental features. The broken line showing of portions of the chair in FIGS. 1-6 forms no part of the claimed design.

1 Claim, 6 Drawing Sheets



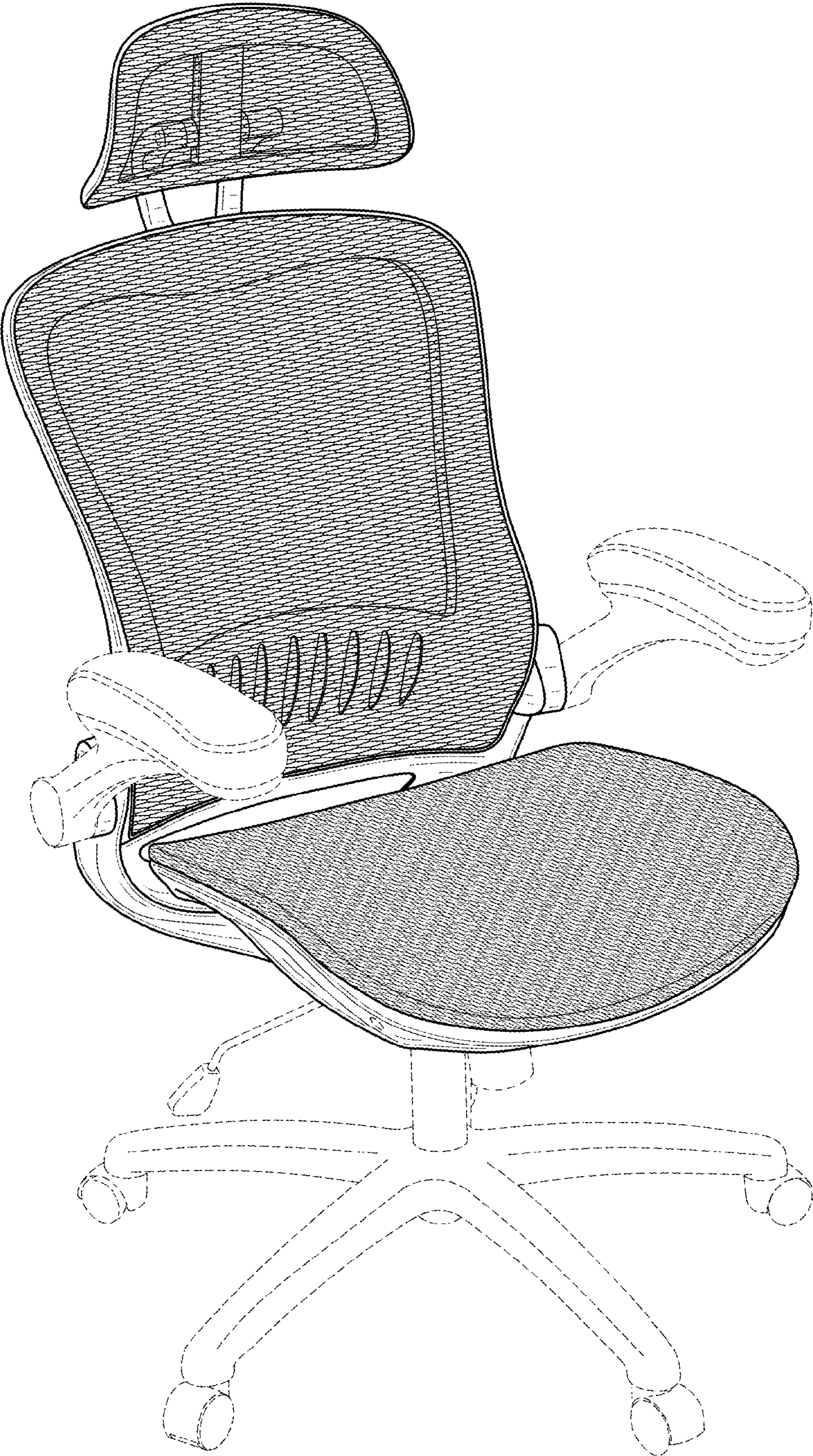


FIG. 1

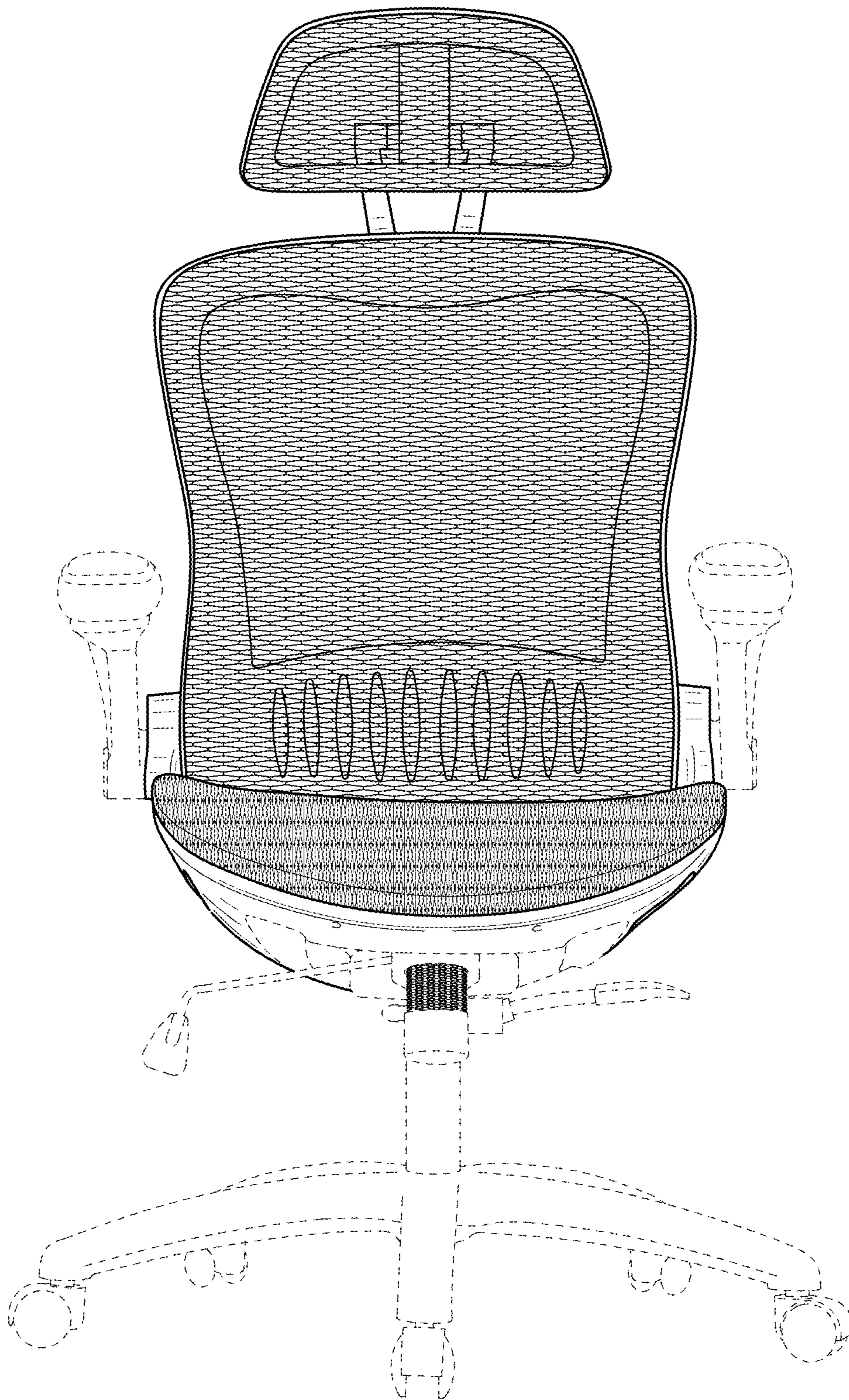


FIG. 2

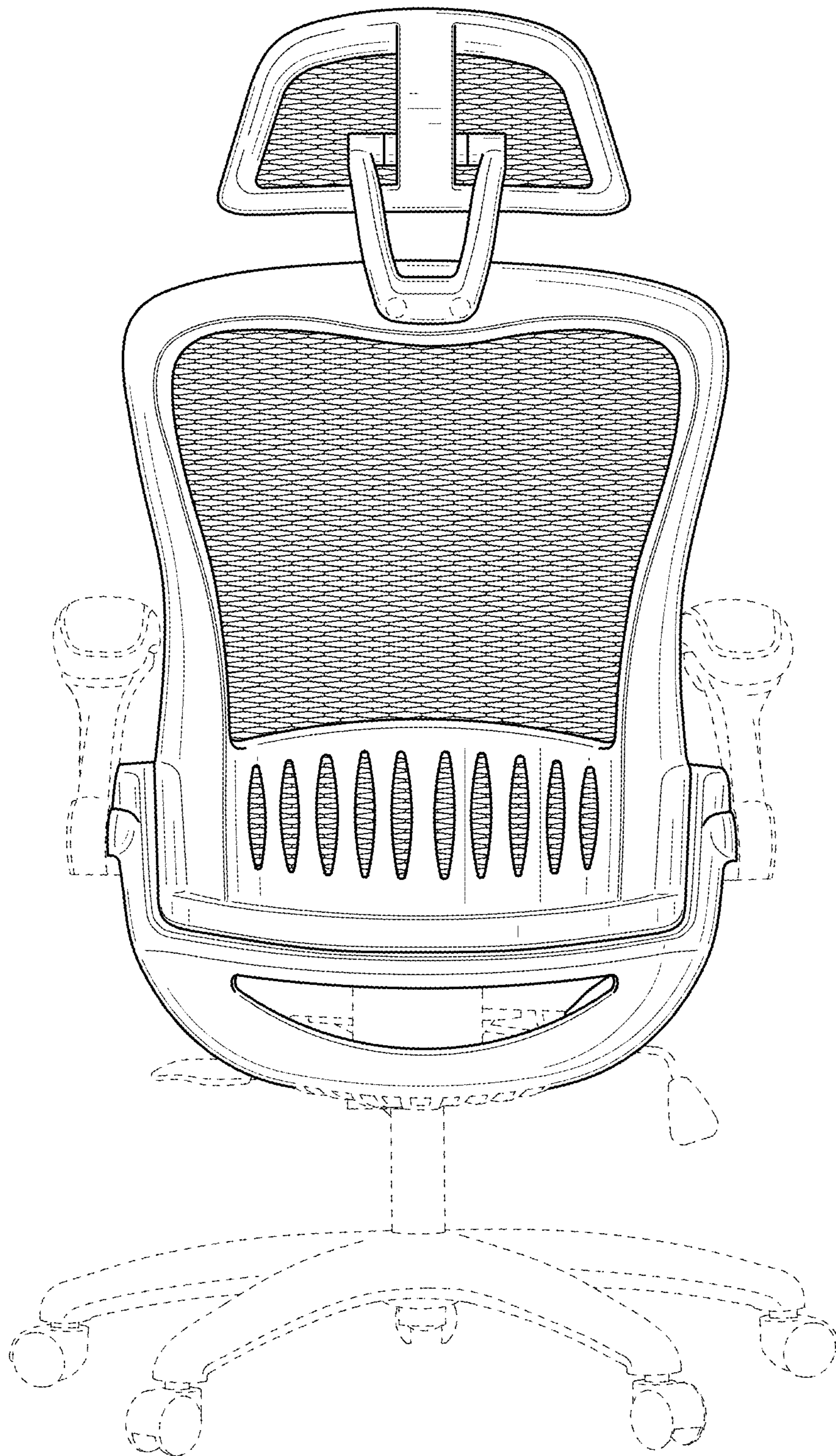


FIG. 3

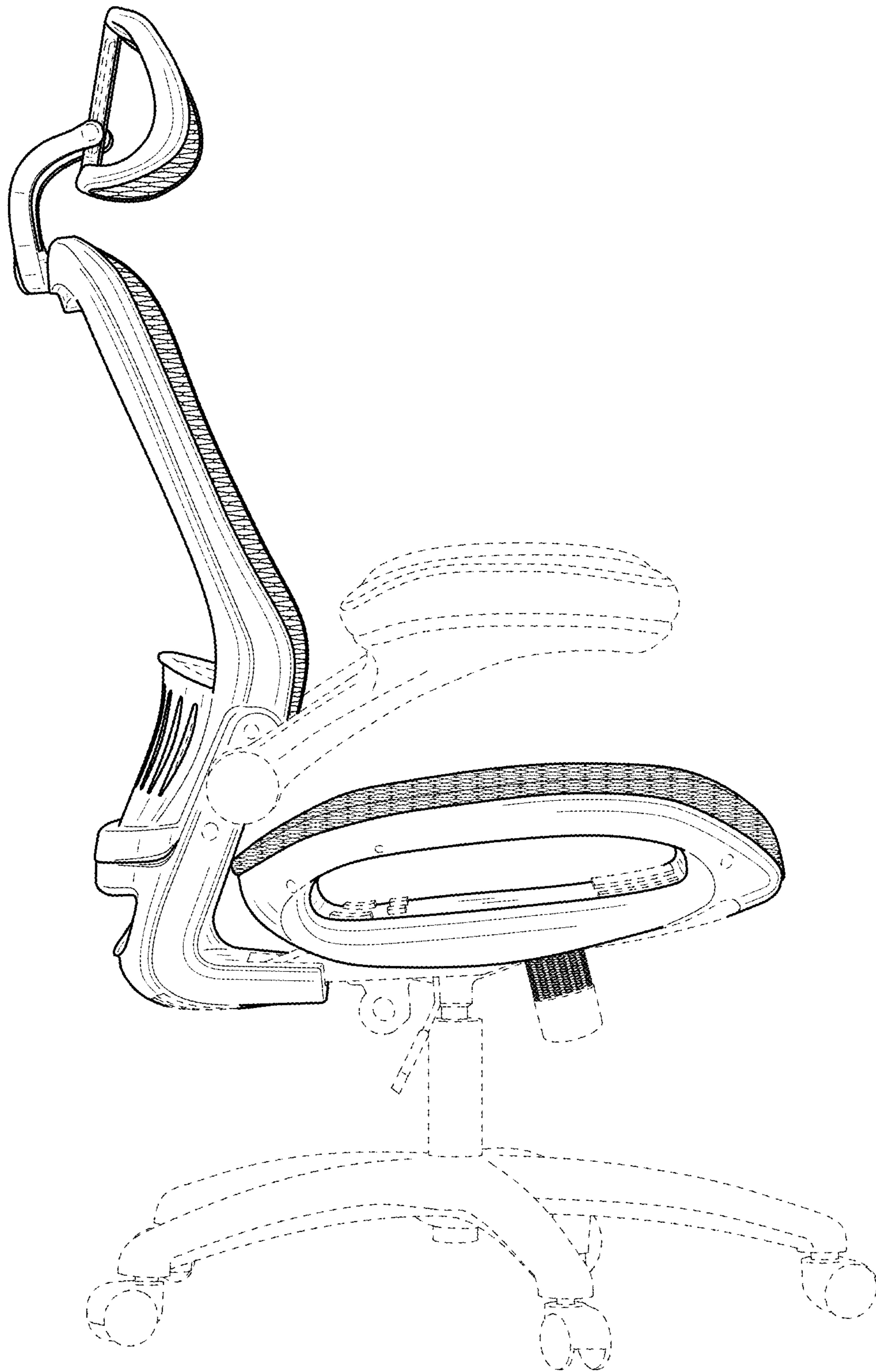


FIG. 4

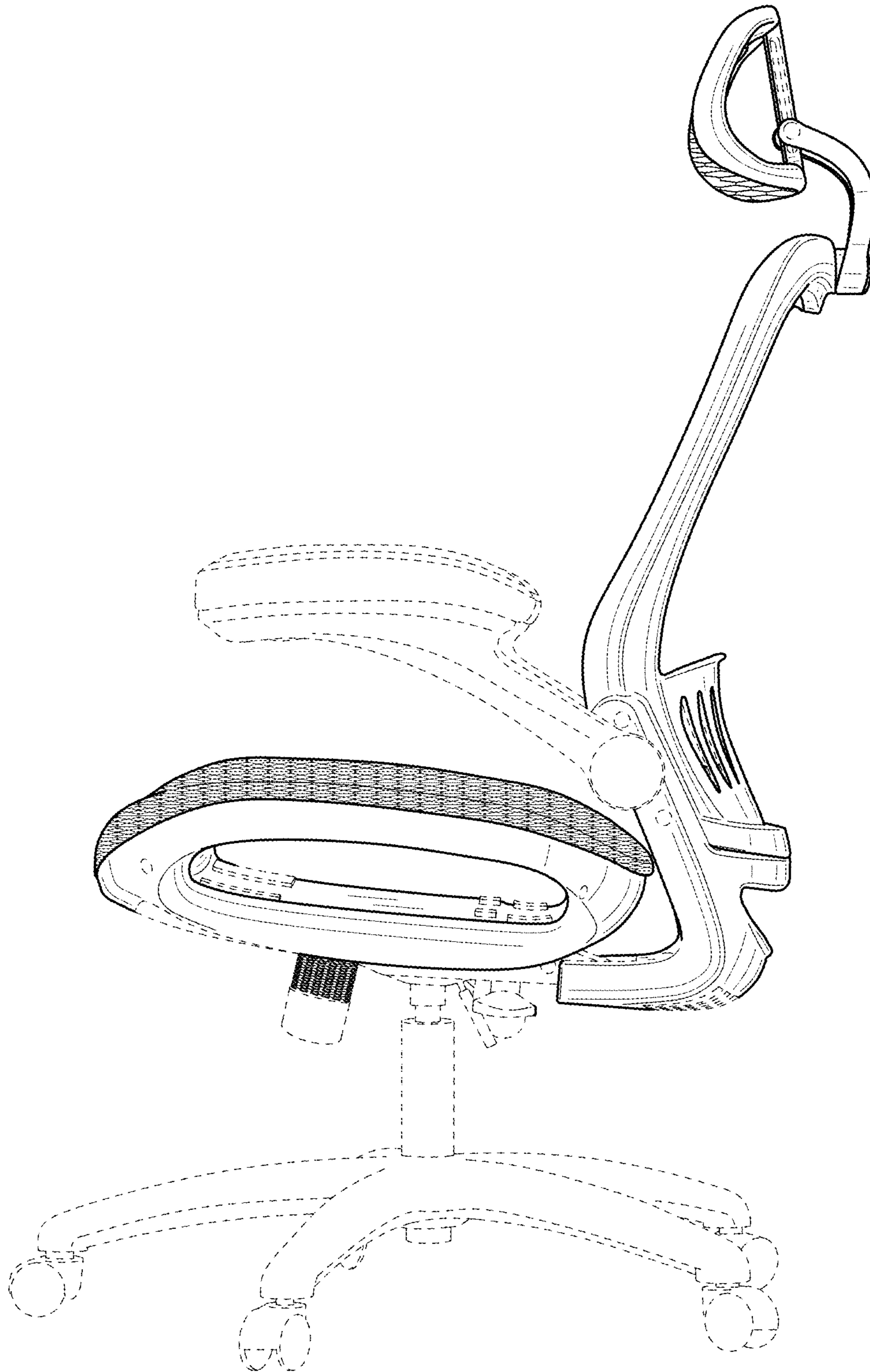


FIG. 5

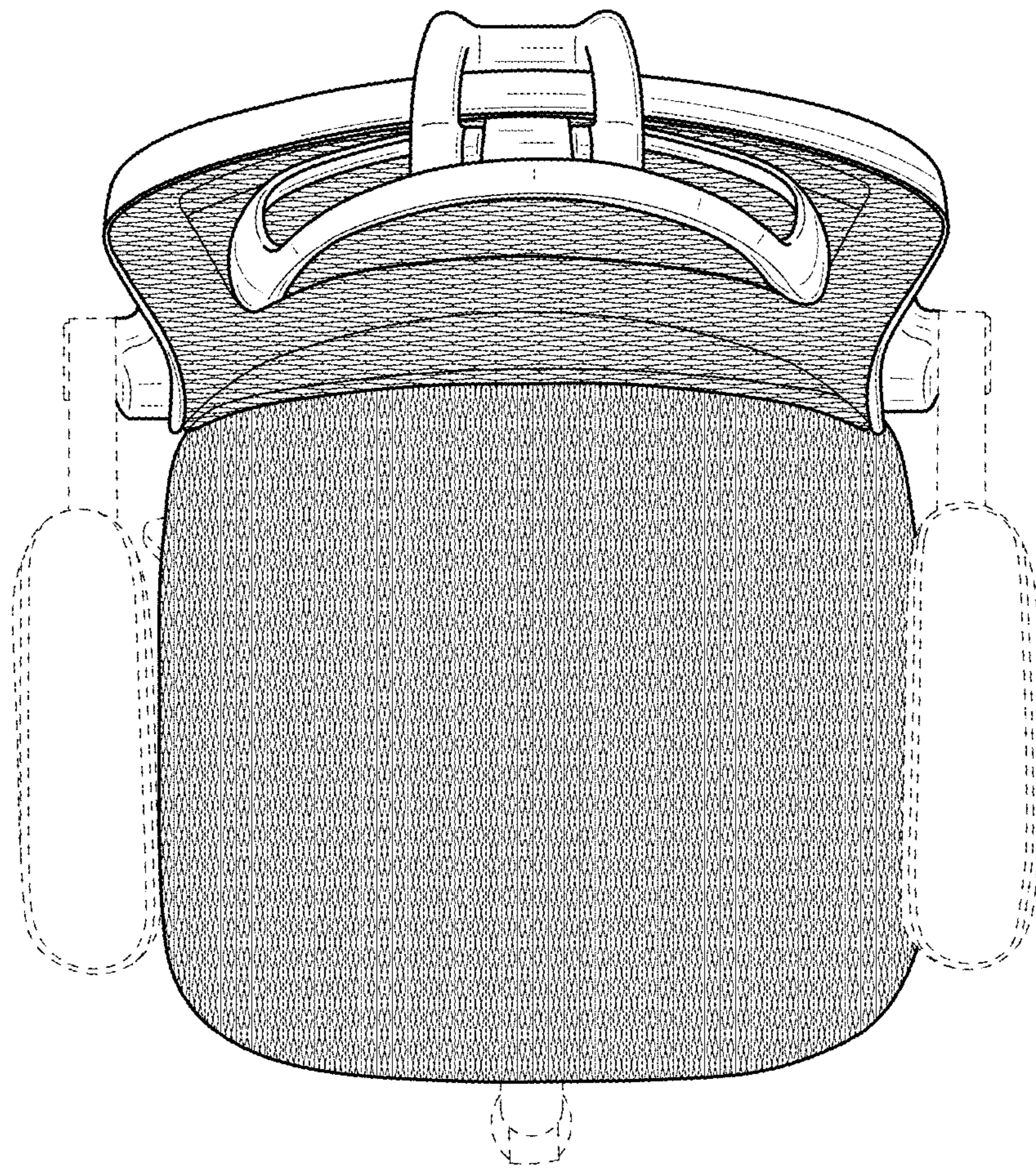


FIG. 6