



US00D935819S

(12) **United States Design Patent**  
**Wang et al.**

(10) **Patent No.:** **US D935,819 S**

(45) **Date of Patent:** **\*\* Nov. 16, 2021**

(54) **CHAIR**

(71) Applicant: **Henglin Home Furnishings Co., Ltd.,**  
Zhejiang (CN)

(72) Inventors: **Jianglin Wang, Zhejiang (CN); Lei**  
**Liu, Zhejiang (CN)**

(73) Assignee: **Henglin Home Furnishings Co., Ltd.,**  
Zhejiang (CN)

(\*\*) Term: **15 Years**

(21) Appl. No.: **29/737,383**

(22) Filed: **Jun. 9, 2020**

(51) **LOC (13) Cl.** ..... **06-01**

(52) **U.S. Cl.**  
USPC ..... **D6/716**

(58) **Field of Classification Search**  
USPC ..... D6/334, 356, 361, 366, 367, 374, 375,  
D6/378, 380, 381, 716, 716.1, 716.4  
CPC ..... A47C 3/0257; A47C 3/16; A47C 3/18;  
A47C 3/20; A47C 3/26; A47C 1/02;  
A47C 1/03255; A47C 7/18; A47C 7/24;  
A47C 7/29; A47C 7/36; A47C 7/38;  
A47C 7/40; A47C 7/46; A47C 7/54;  
A47C 7/282; A47C 11/00  
See application file for complete search history.

(56) **References Cited**

**U.S. PATENT DOCUMENTS**

D553,378 S \* 10/2007 Wang ..... D6/366  
D558,994 S \* 1/2008 Machael ..... D6/366

D558,997 S \* 1/2008 Igarashi ..... D6/366  
D570,624 S \* 6/2008 Kang ..... D6/366  
D766,605 S \* 9/2016 Li ..... D6/366  
D802,953 S \* 11/2017 Meda ..... D6/366  
D816,362 S \* 5/2018 Su ..... D6/366  
D834,844 S \* 12/2018 Chan ..... D6/366  
D920,696 S \* 6/2021 Su ..... D6/366  
2002/0190552 A1 \* 12/2002 Koepke ..... A47C 1/03255  
297/284.7  
2016/0360887 A1 \* 12/2016 Davis ..... A47C 7/004  
2017/0027328 A1 \* 2/2017 Su ..... A47C 7/402

\* cited by examiner

*Primary Examiner* — R. Johnson

(74) *Attorney, Agent, or Firm* — JCIP Global Inc.

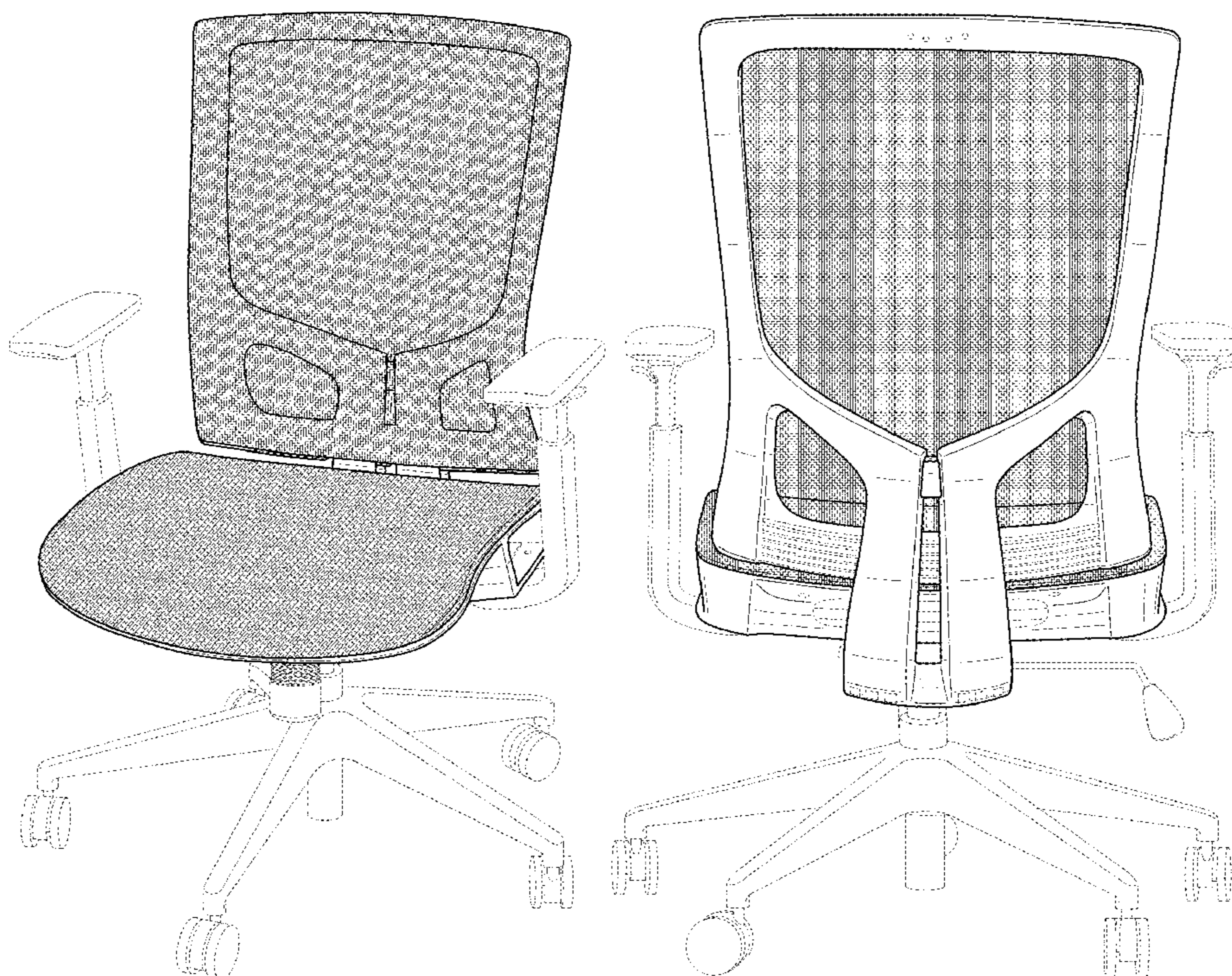
(57) **CLAIM**

The ornamental design for a chair, as shown and described.

**DESCRIPTION**

FIG. 1 is a perspective view of a chair showing our new design;  
FIG. 2 is a front view thereof;  
FIG. 3 is a rear view thereof;  
FIG. 4 is a left side view thereof;  
FIG. 5 is a right side view thereof; and  
FIG. 6 is a top view thereof; and,  
FIG. 7 is another perspective view of the chair, shown in use with environment.  
A bottom view thereof is omitted since it does not contain ornamental features. The broken lines depict environment that forms no part of the claimed design.

**1 Claim, 7 Drawing Sheets**



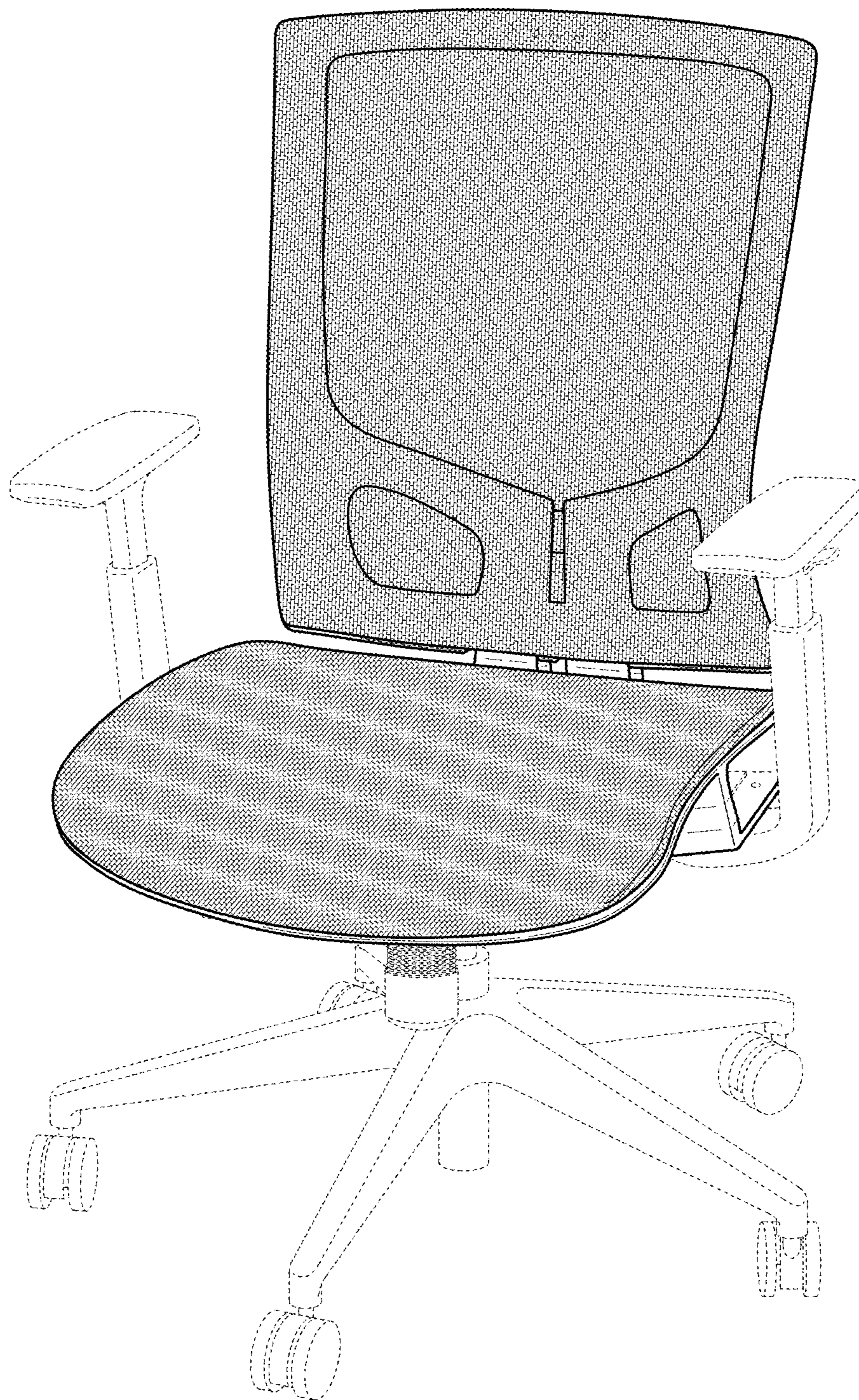


FIG. 1

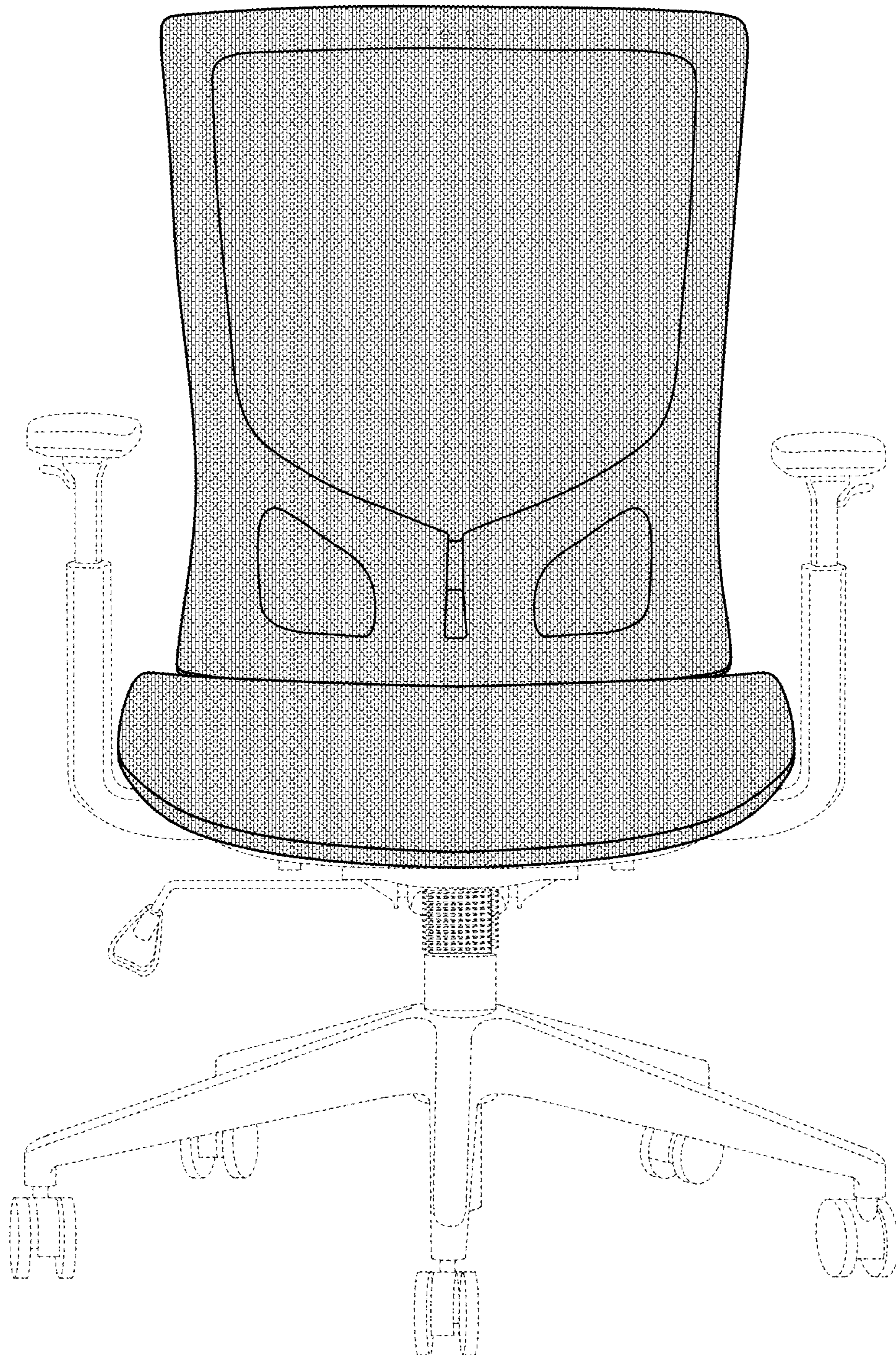


FIG. 2

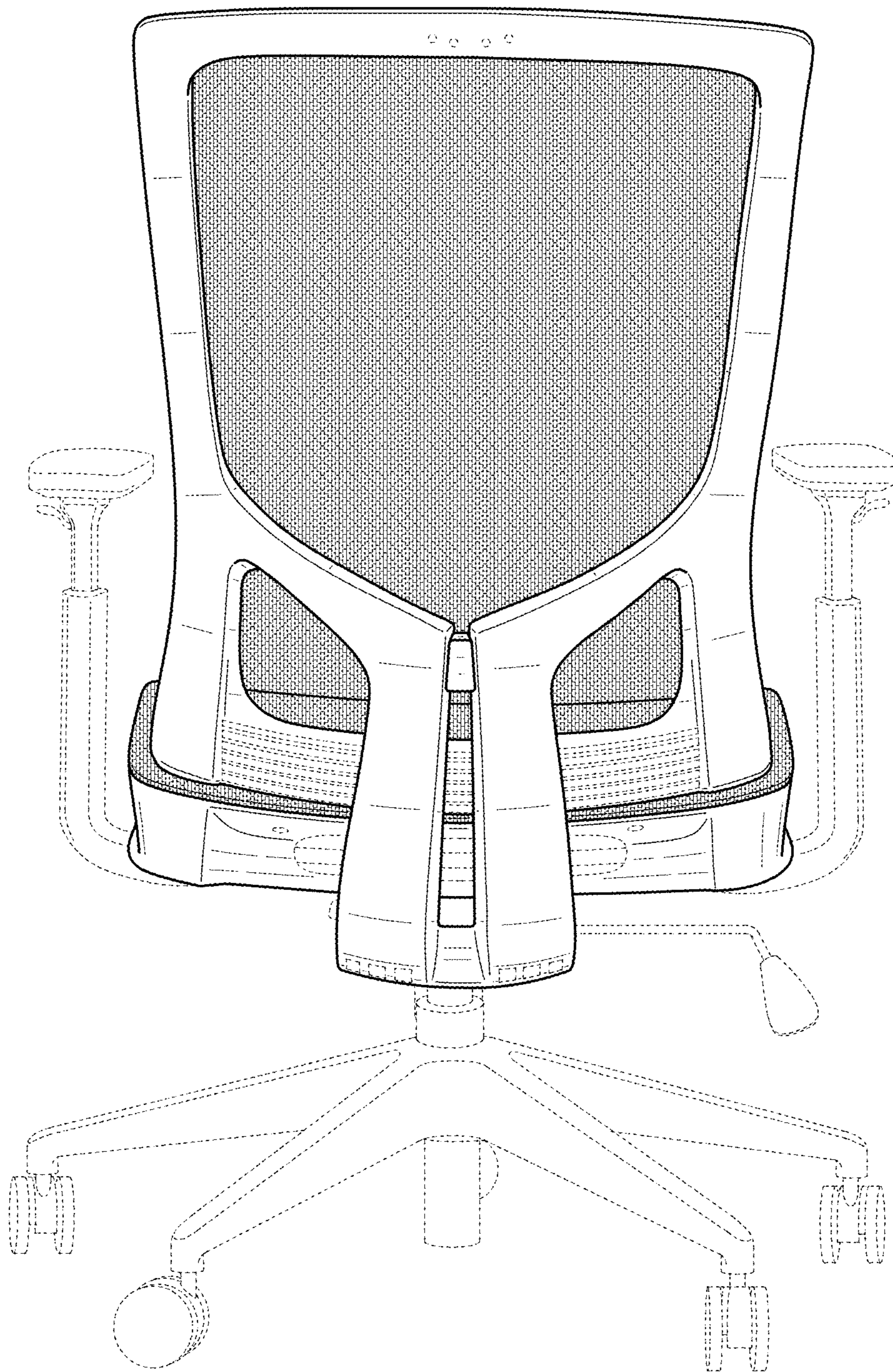


FIG. 3

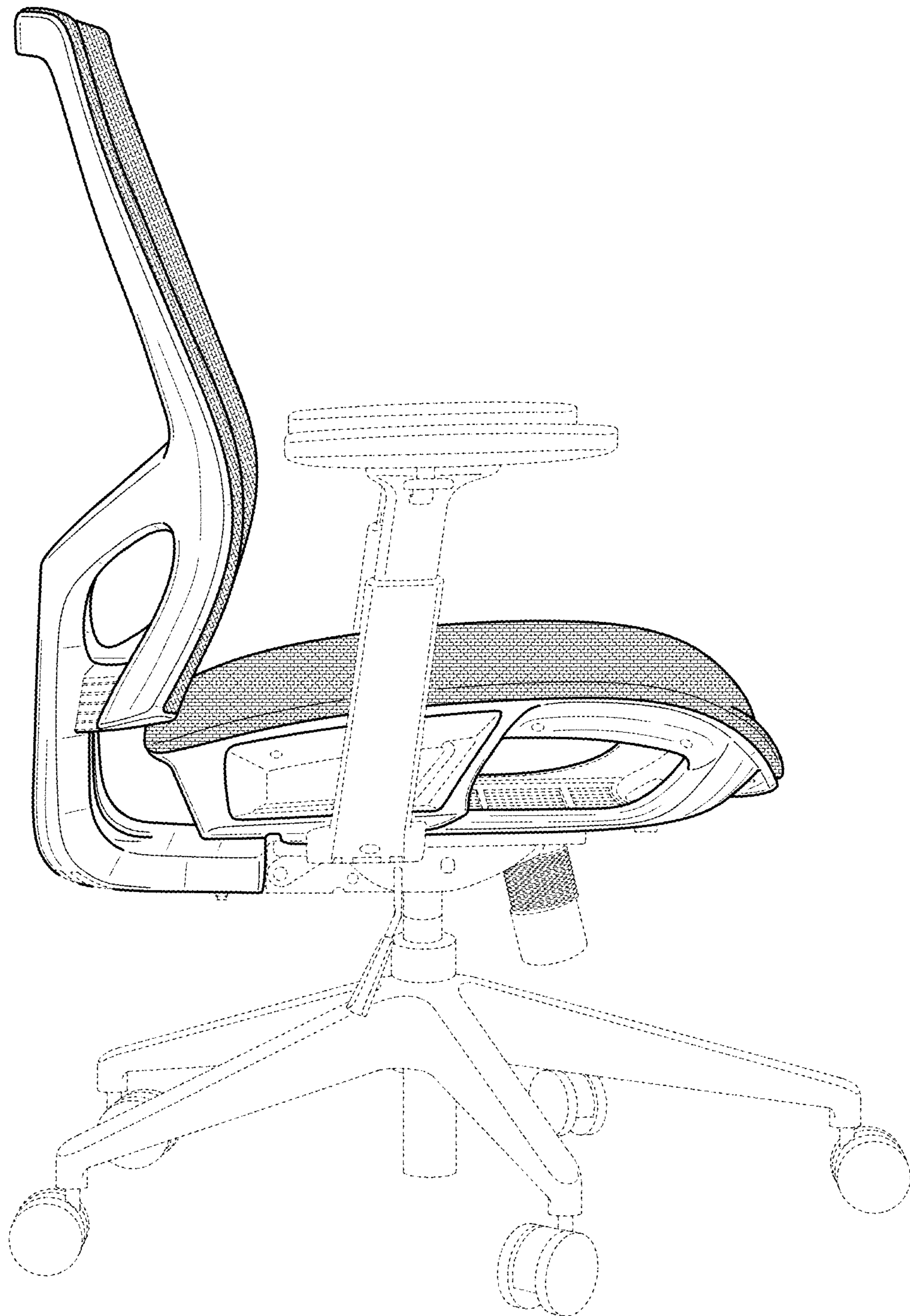


FIG. 4

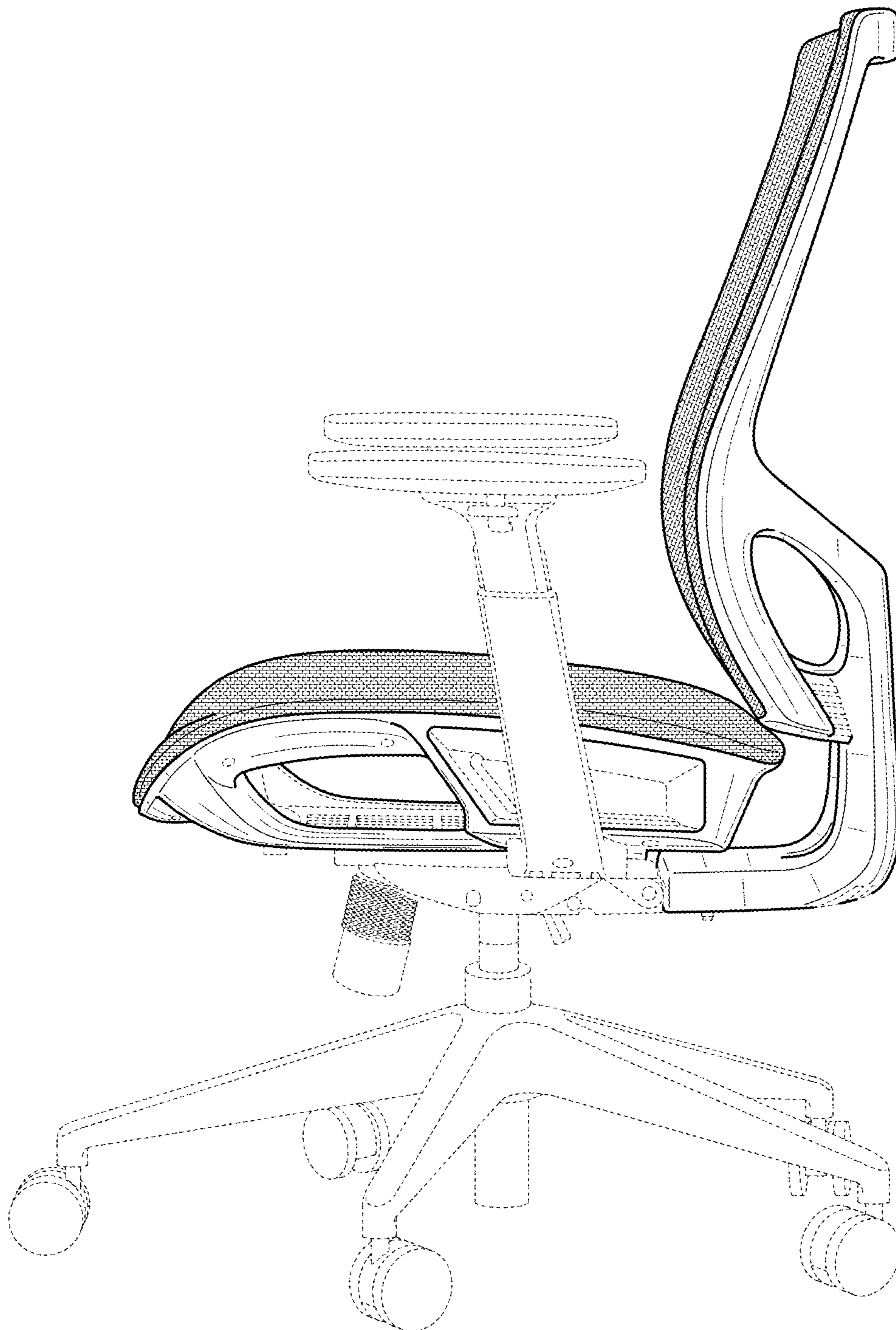


FIG. 5

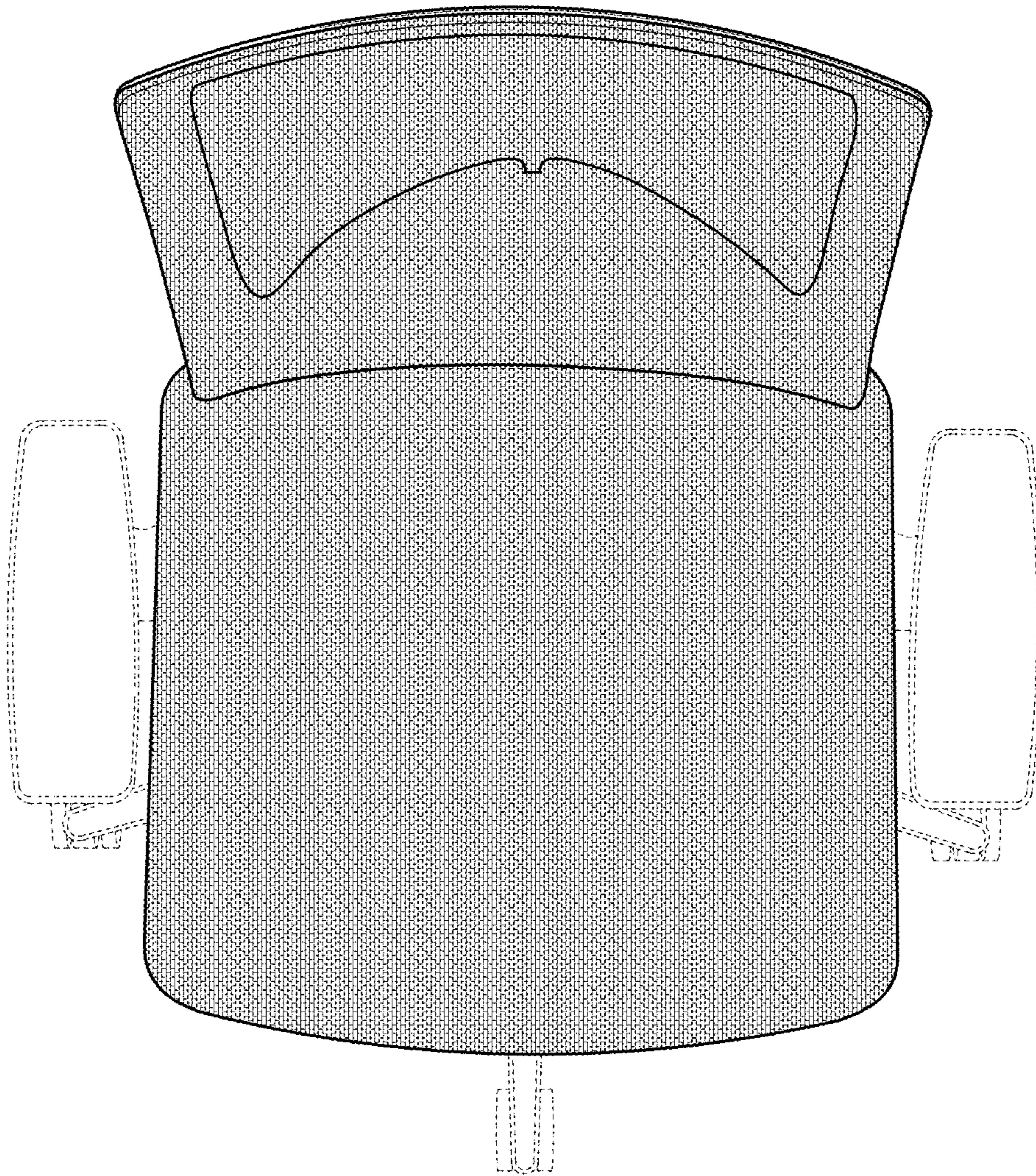


FIG. 6

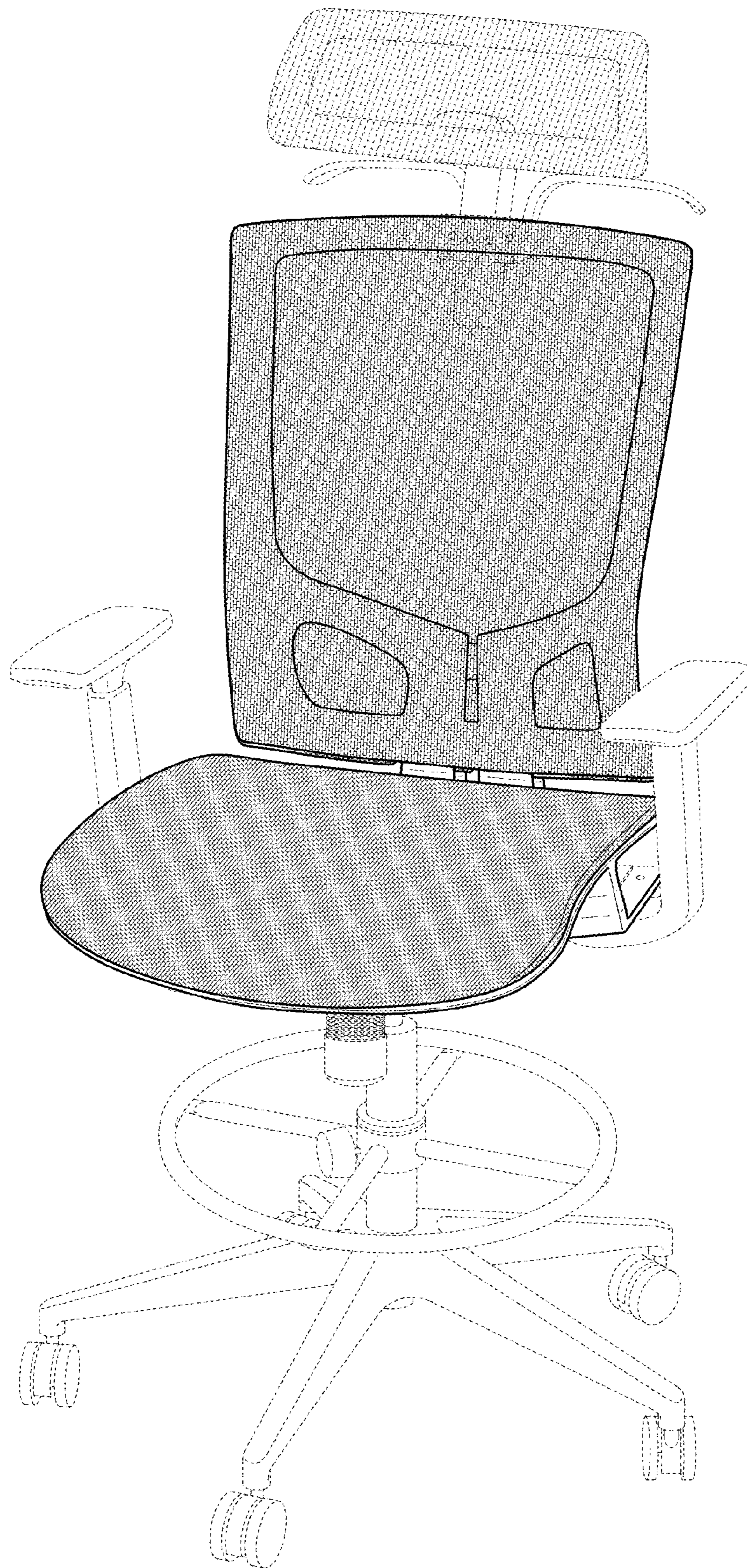


FIG. 7