



US00D935816S

(12) **United States Design Patent**  
**Thomas**

(10) **Patent No.:** **US D935,816 S**

(45) **Date of Patent:** **\*\* Nov. 16, 2021**

(54) **WATCH STAND**

(71) Applicant: **Ryan Thomas**, Los Angeles, CA (US)

(72) Inventor: **Ryan Thomas**, Los Angeles, CA (US)

(\*\*) Term: **15 Years**

(21) Appl. No.: **29/722,789**

(22) Filed: **Jan. 31, 2020**

(51) **LOC (13) Cl.** ..... **06-06**

(52) **U.S. Cl.**  
USPC ..... **D6/682.5**

(58) **Field of Classification Search**  
USPC ..... D6/672, 673, 677.2, 677.5, 681, 681.1,  
D6/681.2, 681.3, 682, 682.5, 512, 566  
CPC ..... A47F 5/00; A47F 5/0006; A47F 5/0876;  
A47F 7/00; A47F 7/0057; A47F 7/02  
See application file for complete search history.

(56) **References Cited**

**U.S. PATENT DOCUMENTS**

D270,220 S *	8/1983	Cuminale	.....	D6/682.4
D280,579 S *	9/1985	Brown	.....	D6/681.1
4,936,466 A *	6/1990	Nava	.....	A47F 7/02
				206/566
D391,706 S *	3/1998	Malcolm	.....	211/205
6,168,030 B1 *	1/2001	Morris	.....	A47F 7/0028
				211/13.1
D458,770 S *	6/2002	Walter	.....	D6/681.1
D473,731 S *	4/2003	Banks	.....	D6/672

D540,065 S *	4/2007	Harris	.....	D6/672
D563,694 S *	3/2008	Mitchell	.....	D6/682.6
D802,211 S *	11/2017	Michaels	.....	D28/17
D848,187 S *	5/2019	Lee	.....	D6/681.1

\* cited by examiner

*Primary Examiner* — Kelley A Donnelly

(57) **CLAIM**

The ornamental design for a watch stand, as shown and described.

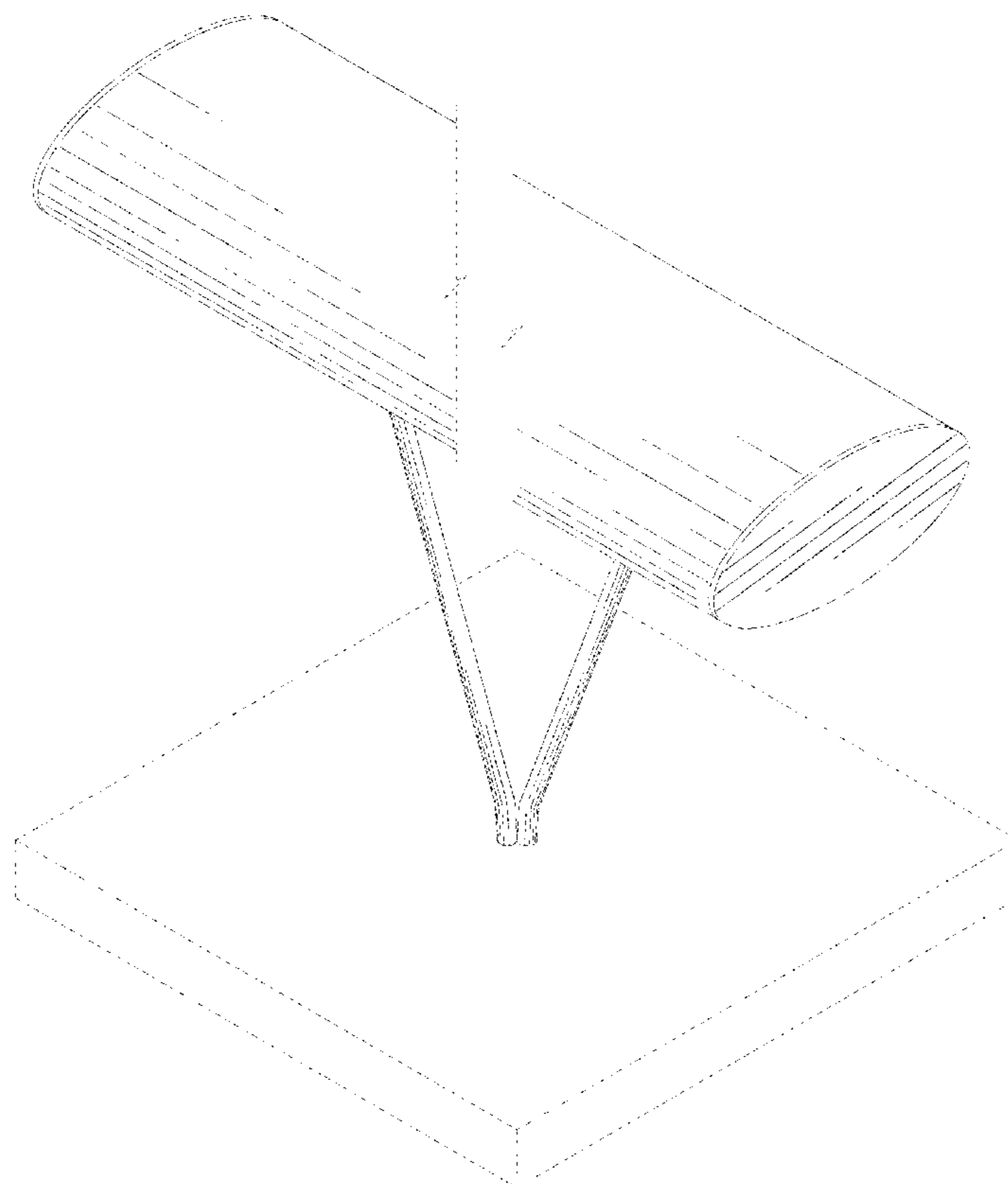
**DESCRIPTION**

FIG. 1 is a front top left perspective view of a watch stand; FIG. 2 is a rear bottom right perspective view thereof; FIG. 3 is a front elevational view thereof, where the rear elevational view is identical thereto; FIG. 4 is a top plan view thereof; FIG. 5 is a bottom plan view thereof; and, FIG. 6 is a left elevational view thereof; where the right elevational view is identical thereto.

The broken line showing a base in FIGS. 1-6 are included for the purpose of illustrating environmental structure and forms no part of the claimed design. The watch stand is shown with a symbolic break in its length. The appearance of any portion of the article between the break lines forms no part of the claimed design.

The watch stand is shown broken in one place along the length direction in FIGS. 1-4 to indicate indeterminate length, with the understanding that the "indeterminate" length portion of the watch stand not shown forms no part of the claimed design. Patentability is based only on those portions of the article that are shown in solid lines.

**1 Claim, 6 Drawing Sheets**



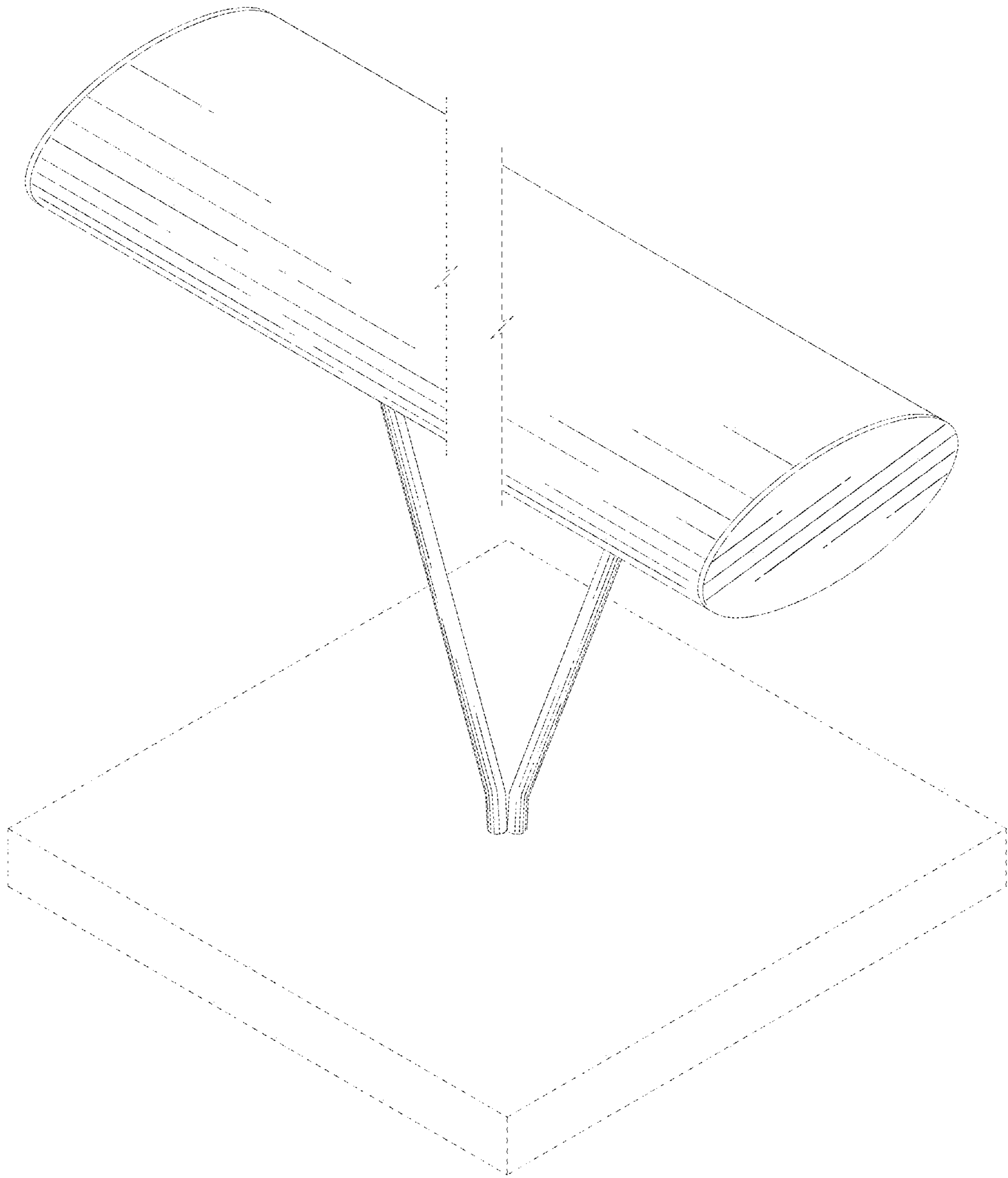


FIG. 1

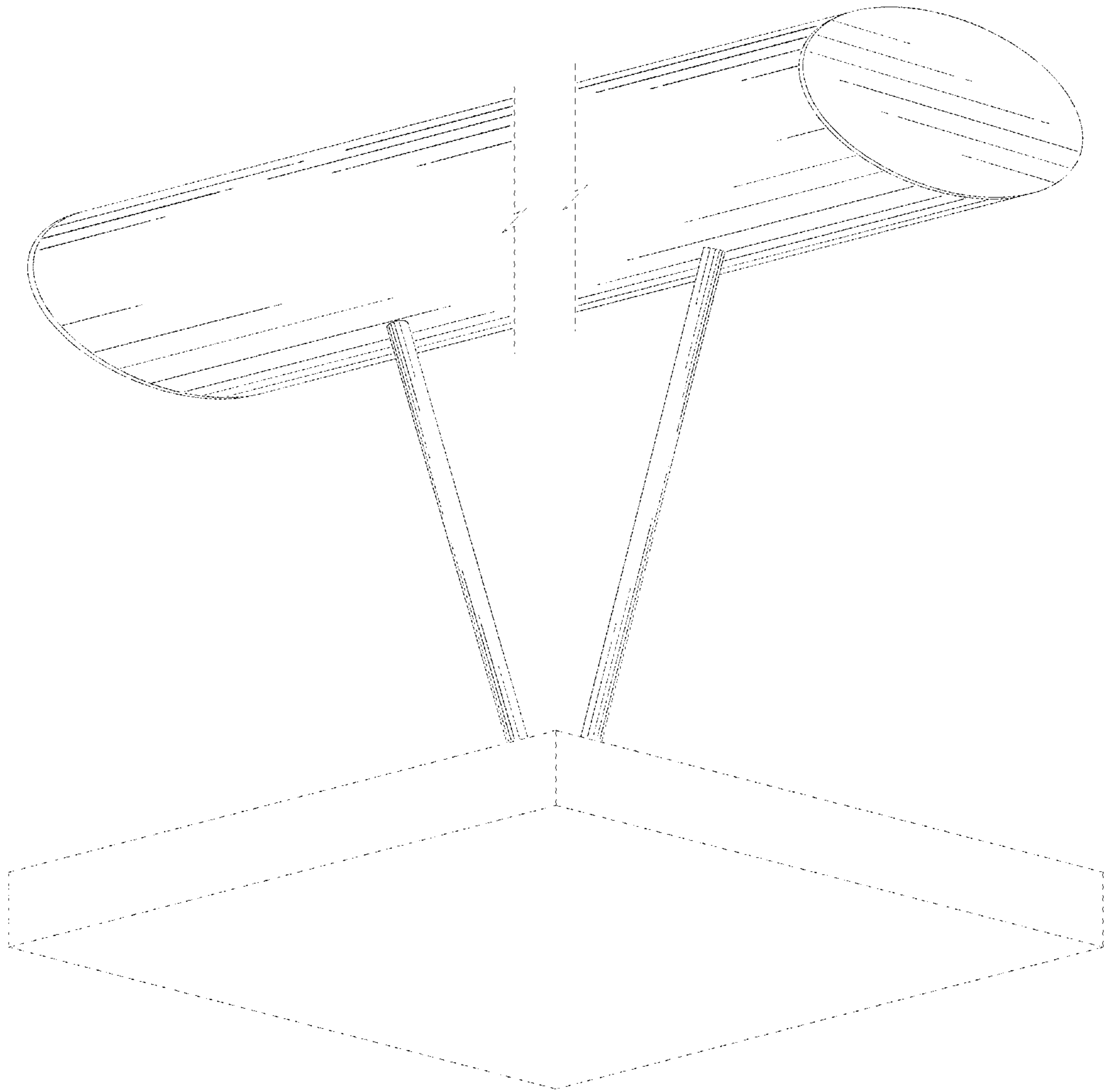


FIG. 2

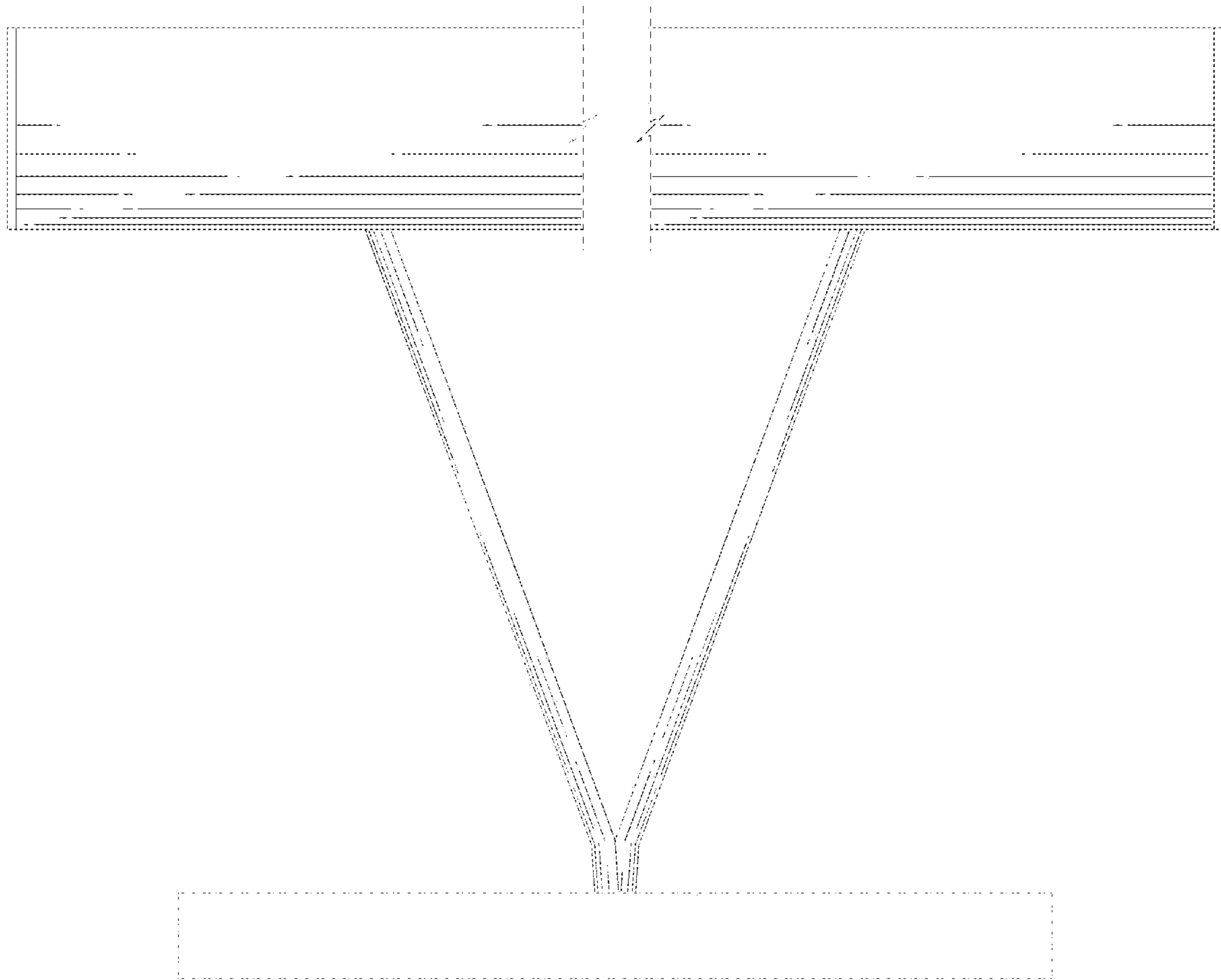


FIG. 3

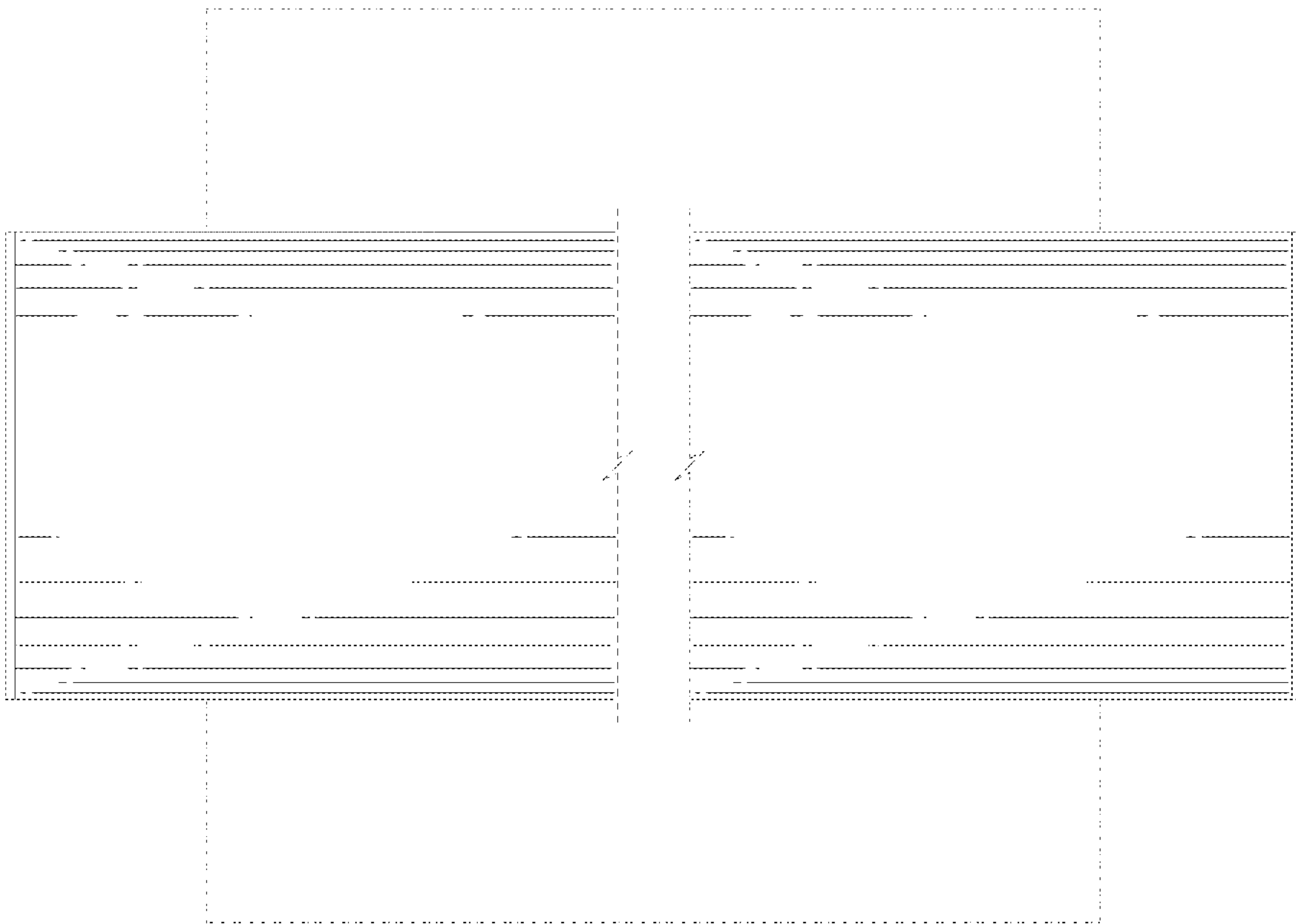


FIG. 4

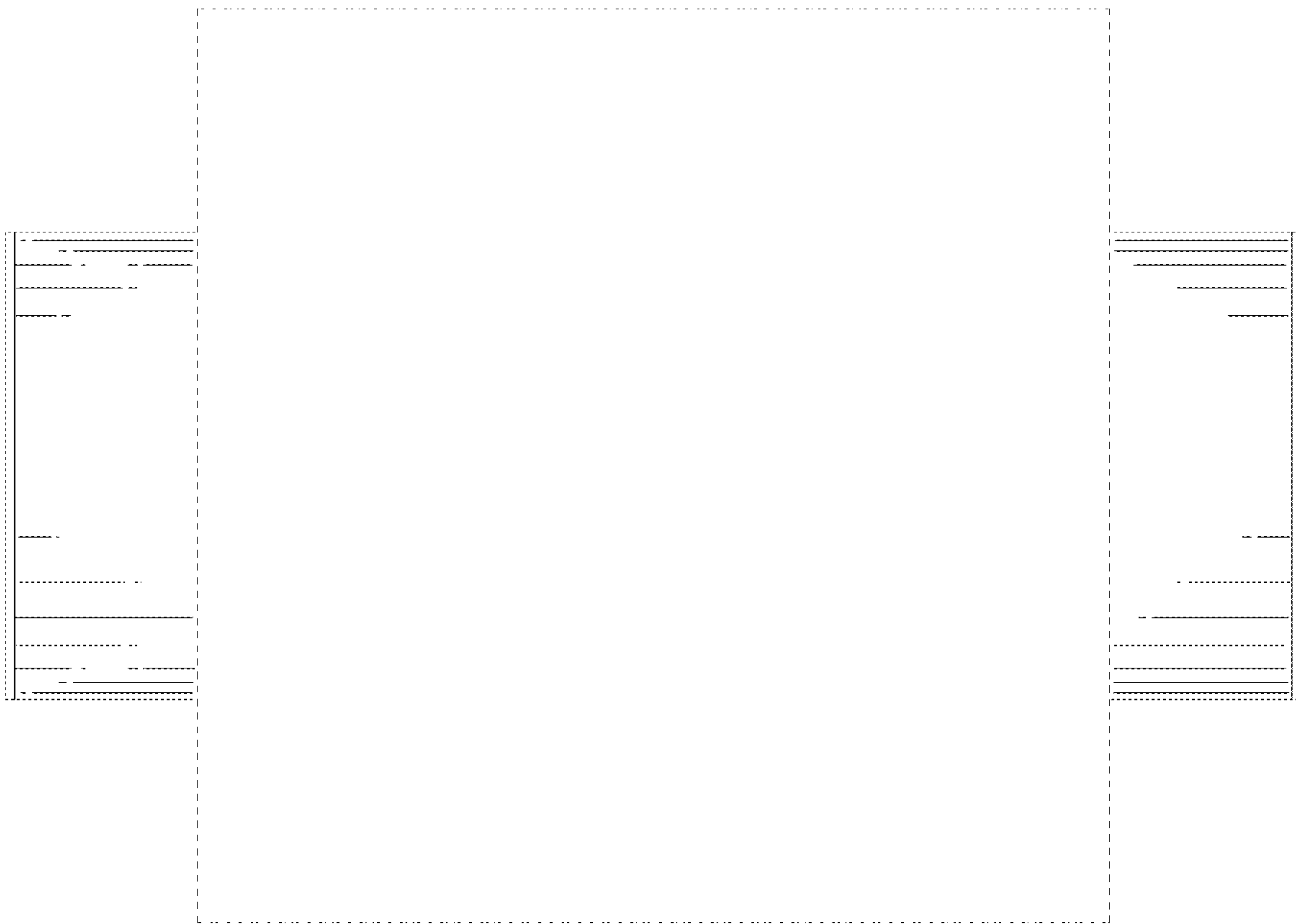


FIG. 5

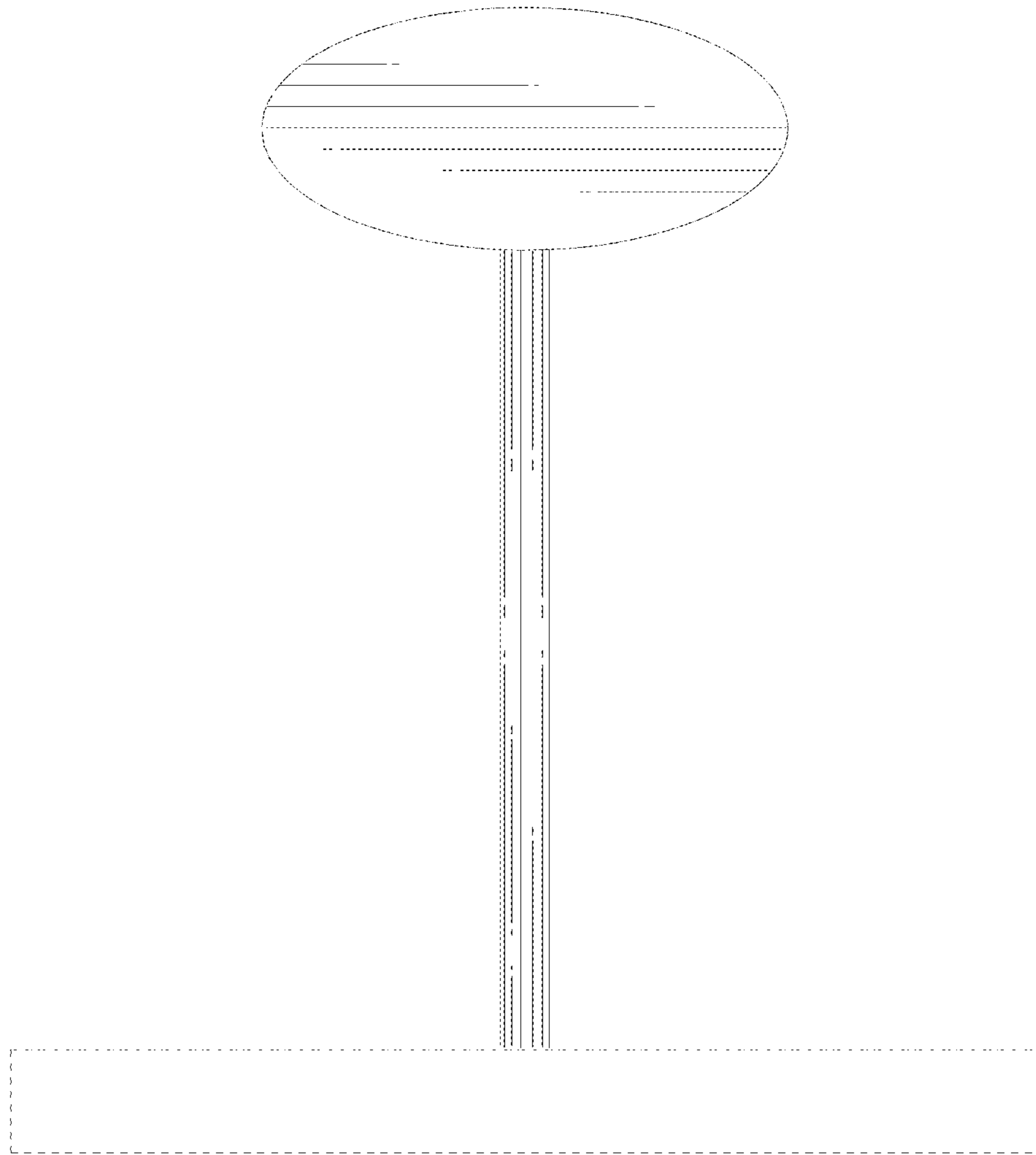


FIG. 6