



US00D935815S

(12) **United States Design Patent**  
**Zilbershtein Boiman**

(10) **Patent No.:** **US D935,815 S**

(45) **Date of Patent:** **\*\* Nov. 16, 2021**

- (54) **STAND**
- (71) Applicants: **Dafna Zilbershtein Boiman**, Tel Aviv (IL); **Matatia Hilya Sternberg**, Petah-Tikva (IL)
- (72) Inventor: **Dafna Zilbershtein Boiman**, Tel Aviv (IL)
- (73) Assignees: **Dafna Zilbershtein Boiman**, Tel Aviv (IL); **Matatia Hilya Sternberg**, Petah-Tikva (IL)
- (\*\*) Term: **15 Years**
- (21) Appl. No.: **29/739,473**
- (22) Filed: **Jun. 25, 2020**
- (51) **LOC (13) Cl.** ..... **06-06**
- (52) **U.S. Cl.**  
USPC ..... **D6/678.3**
- (58) **Field of Classification Search**  
USPC ..... D6/672, 673, 678, 678.3, 678.4, 678.5; D14/447, 457  
CPC ..... A47F 5/00; A47F 5/10; A47F 5/16; A47F 5/0018; A47F 2005/165; A47F 5/11; F16M 11/00; F16M 11/38; F16M 2200/08; A45C 2200/15  
See application file for complete search history.

D258,782 S *	4/1981	Bossons	.....	D6/311
4,709,895 A *	12/1987	Mardak	.....	A47B 23/044 248/459
4,991,812 A *	2/1991	MacEwan	.....	A47B 19/08 248/174
D322,813 S *	12/1991	Wilson	.....	D19/88
5,458,242 A *	10/1995	Baka	.....	A47F 5/112 206/486
D667,831 S *	9/2012	Stravitz	.....	D14/447
D714,302 S *	9/2014	Fujioka	.....	D14/447
D730,091 S *	5/2015	Chan	.....	D6/681
9,832,298 B2 *	11/2017	Date	.....	F16M 13/00
D804,490 S *	12/2017	Wei	.....	D14/447
D842,862 S *	3/2019	Ellis	.....	D14/447
D914,026 S *	3/2021	Fischer	.....	D14/447
D914,689 S *	3/2021	Culver	.....	A47B 23/044 D14/447
D927,231 S *	8/2021	O'Sullivan	.....	D6/678.3
D927,497 S *	8/2021	Date	.....	D14/447

\* cited by examiner

*Primary Examiner* — Kelley A Donnelly  
(74) *Attorney, Agent, or Firm* — The Roy Gross Law Firm, LLC; Roy Gross

(57) **CLAIM**

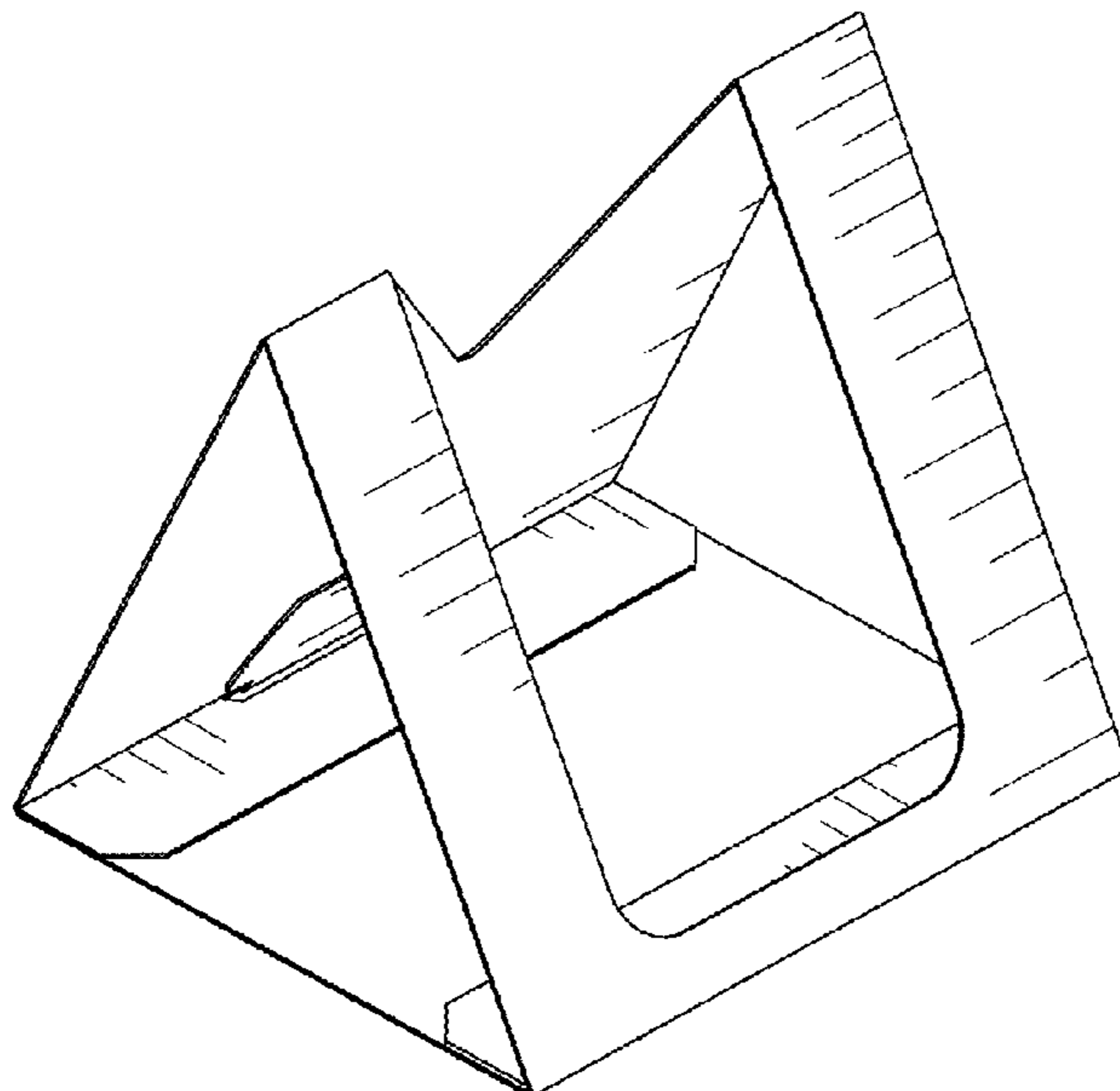
The ornamental design for stand, as shown and described.

**DESCRIPTION**

FIG. 1 is a front perspective view of a stand in accordance with the new design;  
FIG. 2 is a rear perspective view thereof;  
FIG. 3 is a back view thereof;  
FIG. 4 is a front view thereof;  
FIG. 5 is a left side view thereof;  
FIG. 6 is a right side view thereof;  
FIG. 7 is a top view thereof; and,  
FIG. 8 is a bottom view thereof.

**1 Claim, 4 Drawing Sheets**

- (56) **References Cited**  
U.S. PATENT DOCUMENTS
- 1,543,102 A \* 6/1925 Fleischer ..... A47F 7/17  
242/594.2
- 2,252,571 A \* 8/1941 Kohn ..... A47G 1/141  
248/459
- 2,726,835 A \* 12/1955 Hummel ..... G09F 1/06  
248/459
- 3,794,284 A \* 2/1974 Guenther ..... A47B 23/042  
248/441.1



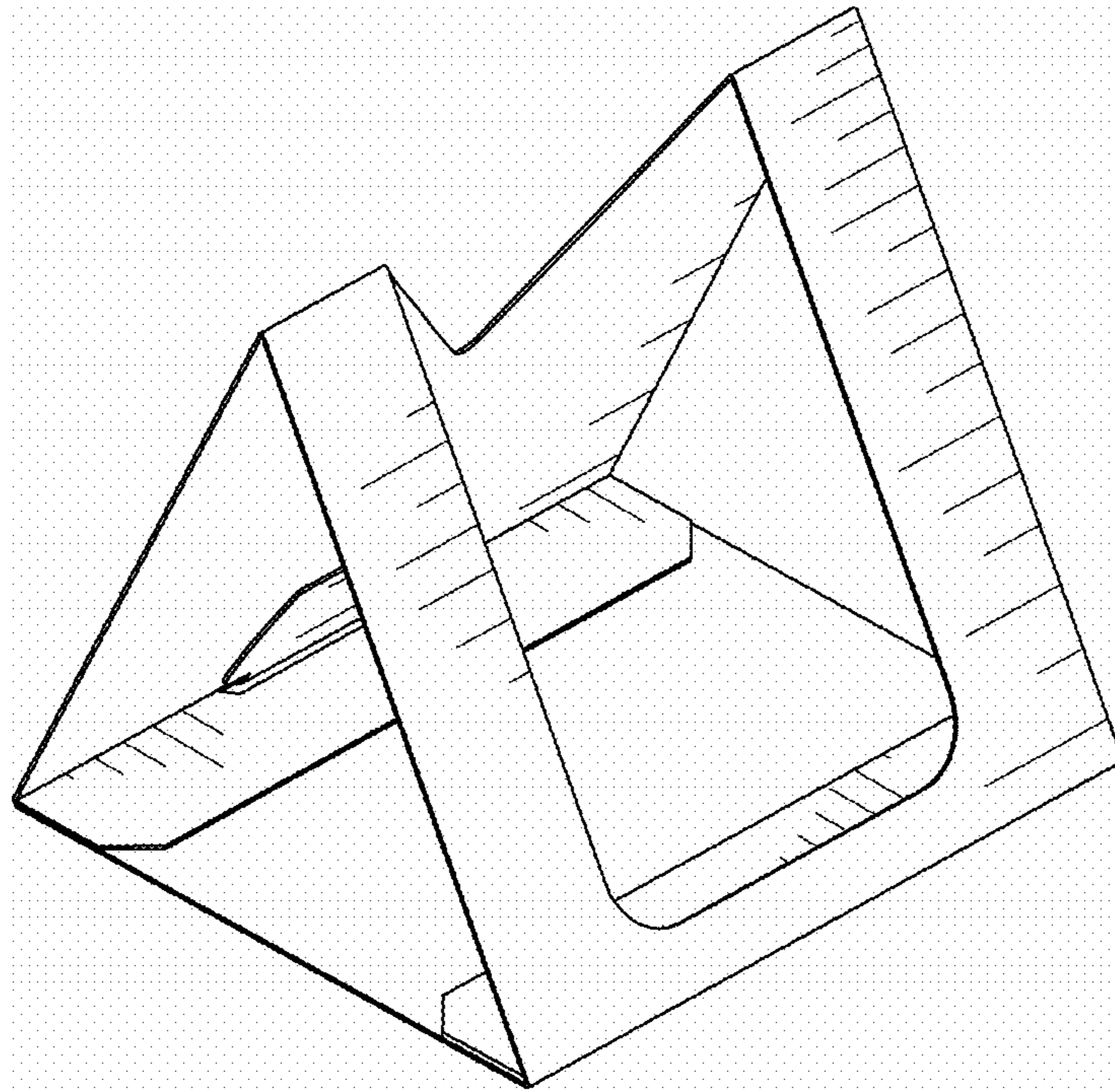


FIG.1

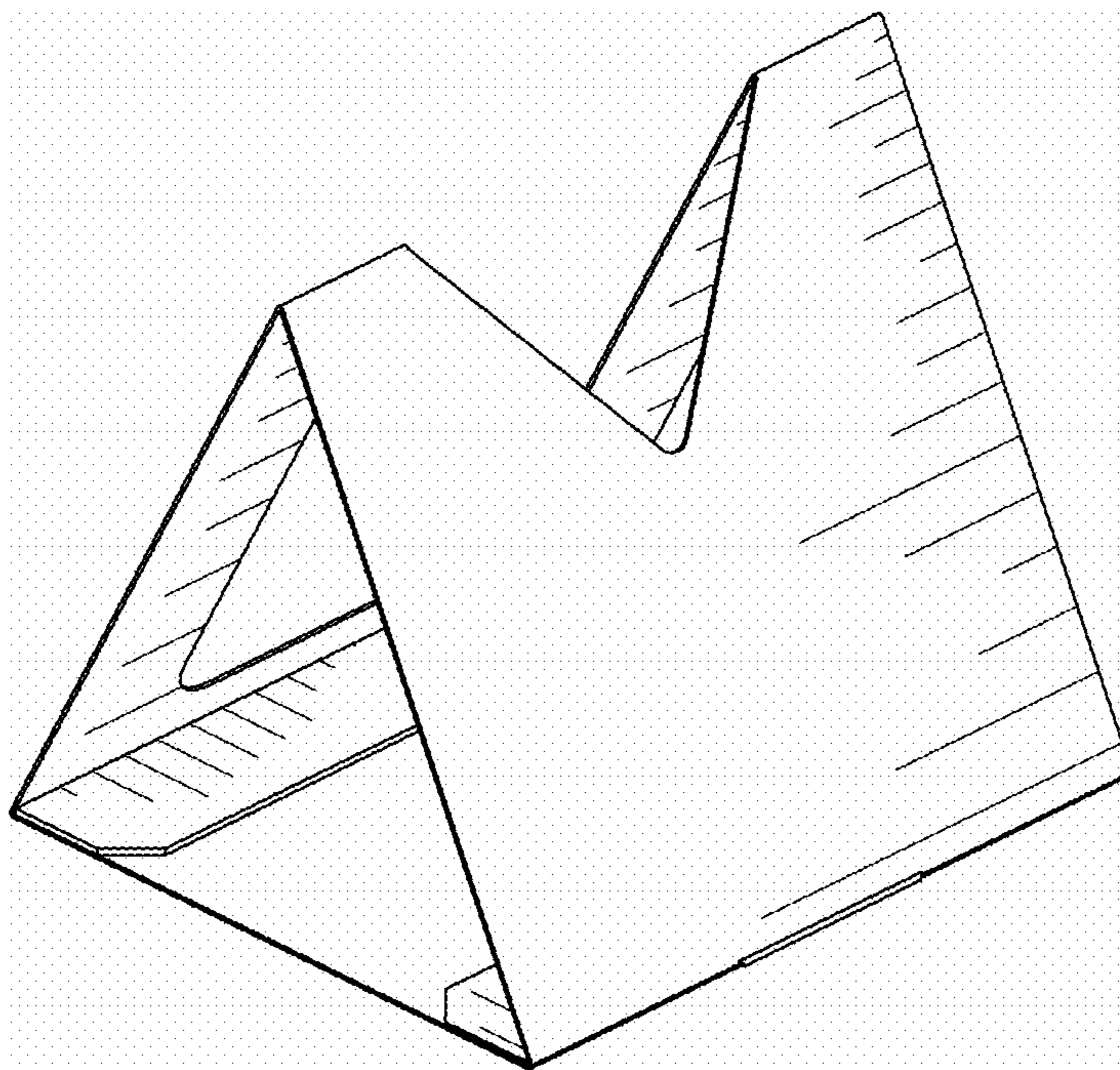


FIG.2

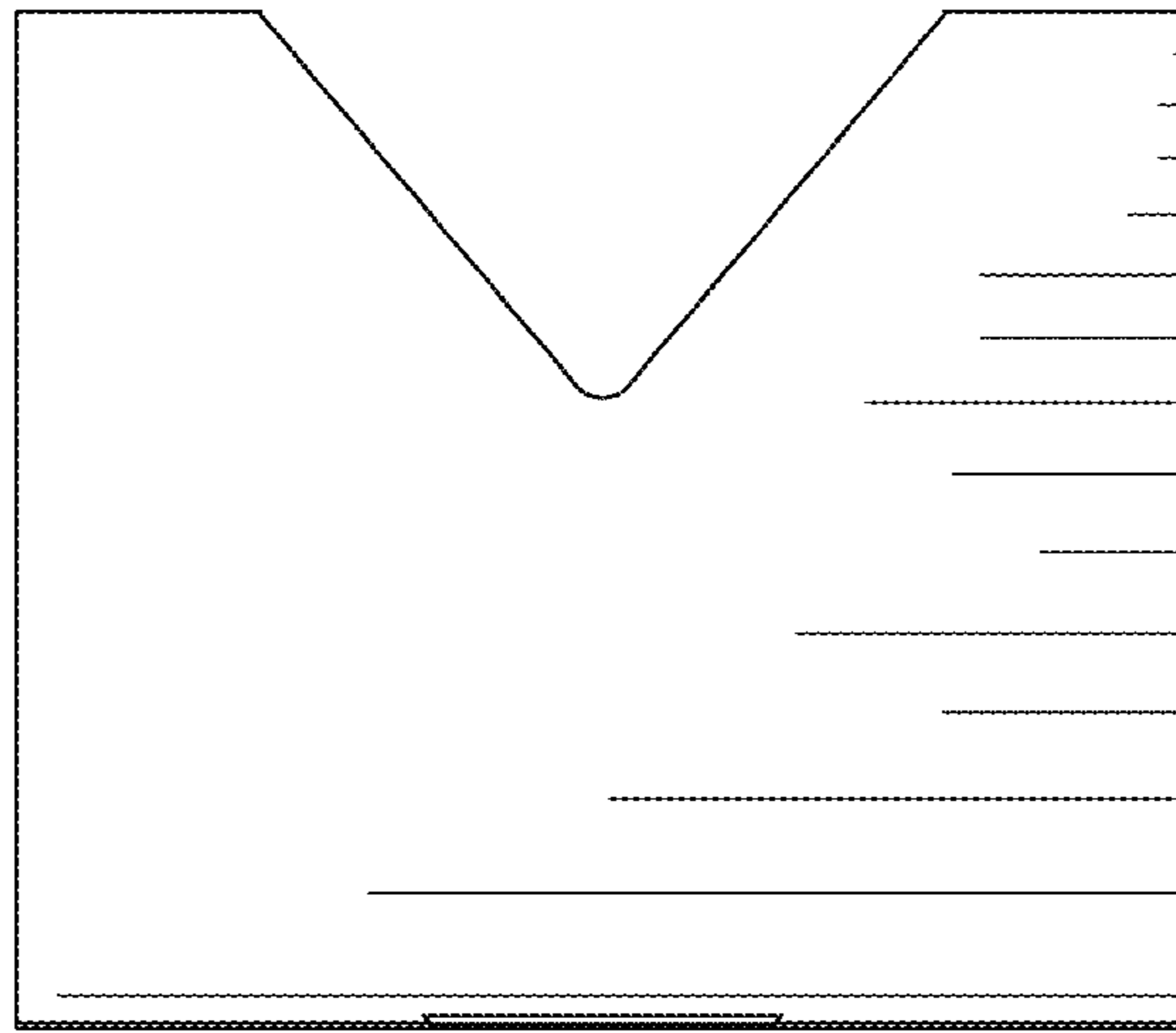


FIG. 3

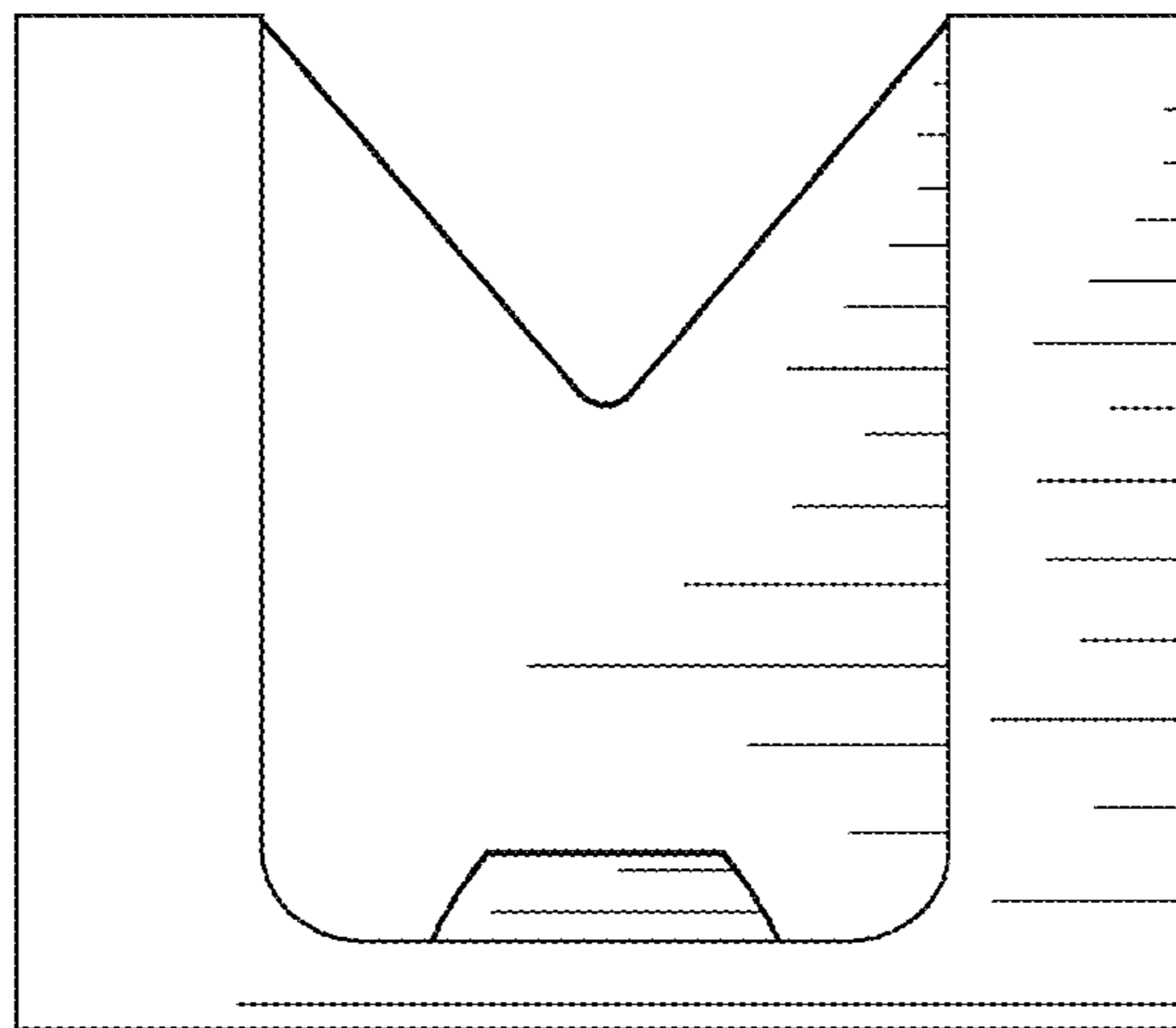


FIG. 4

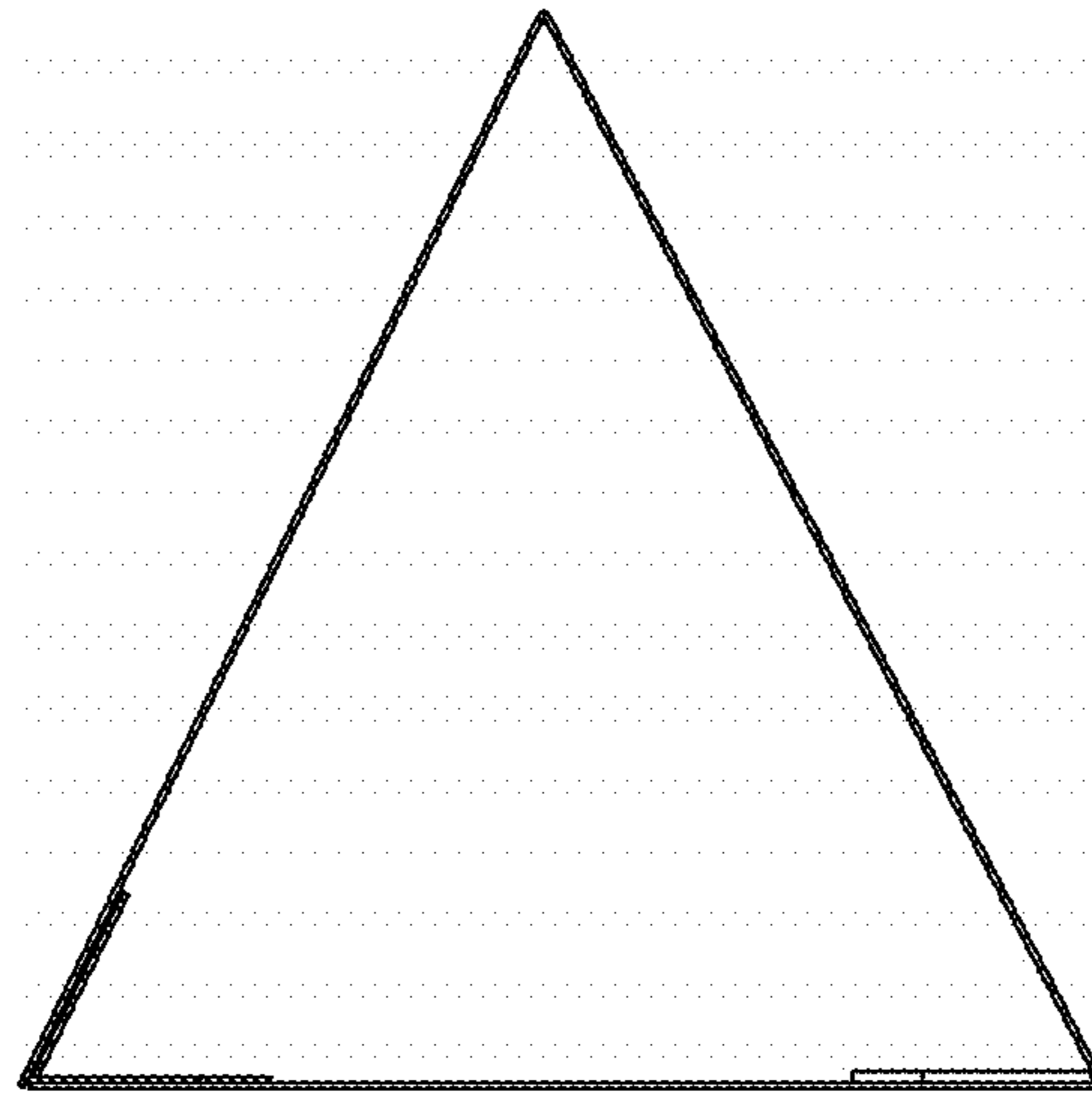


FIG. 5

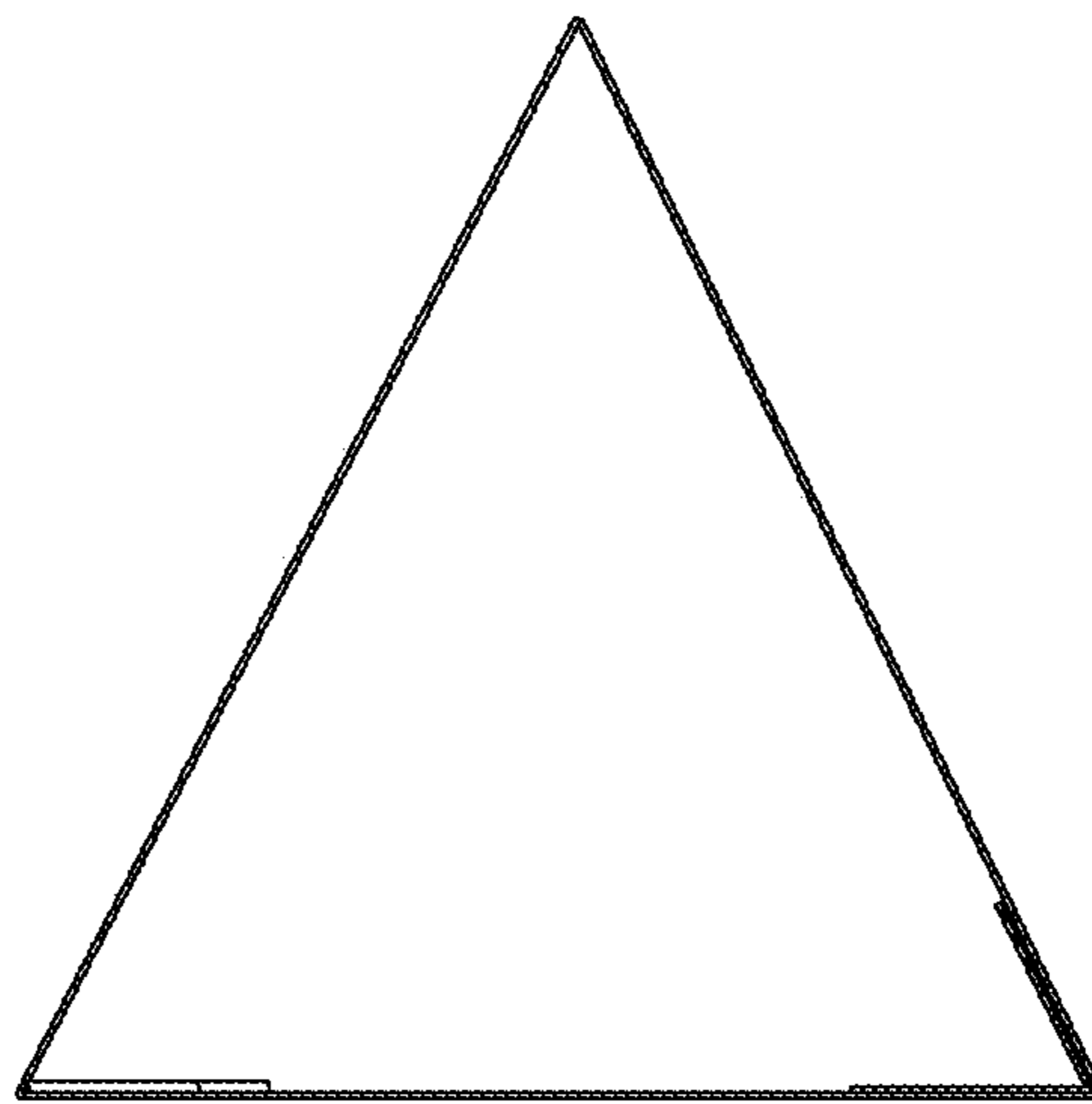


FIG. 6

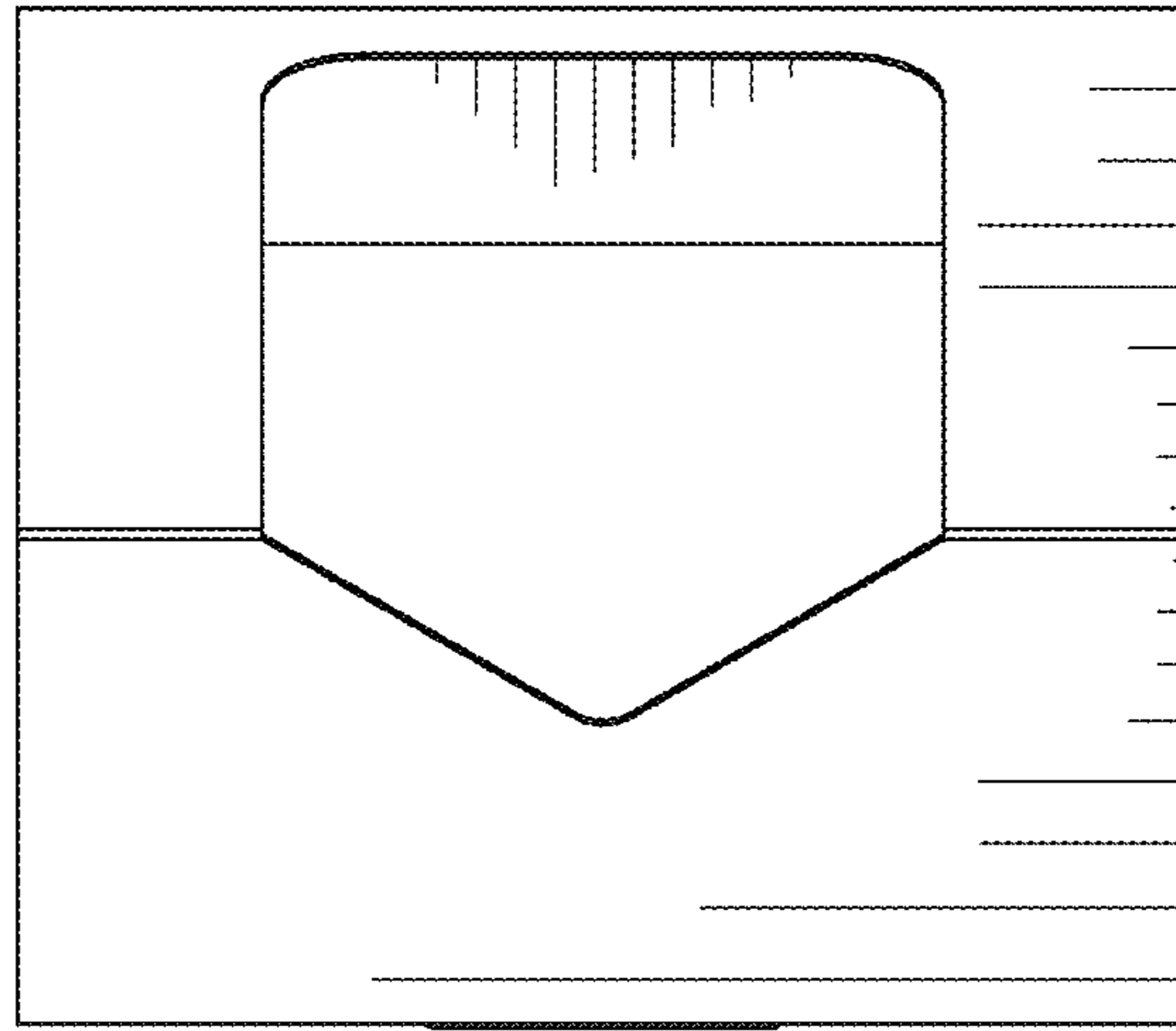


FIG. 7

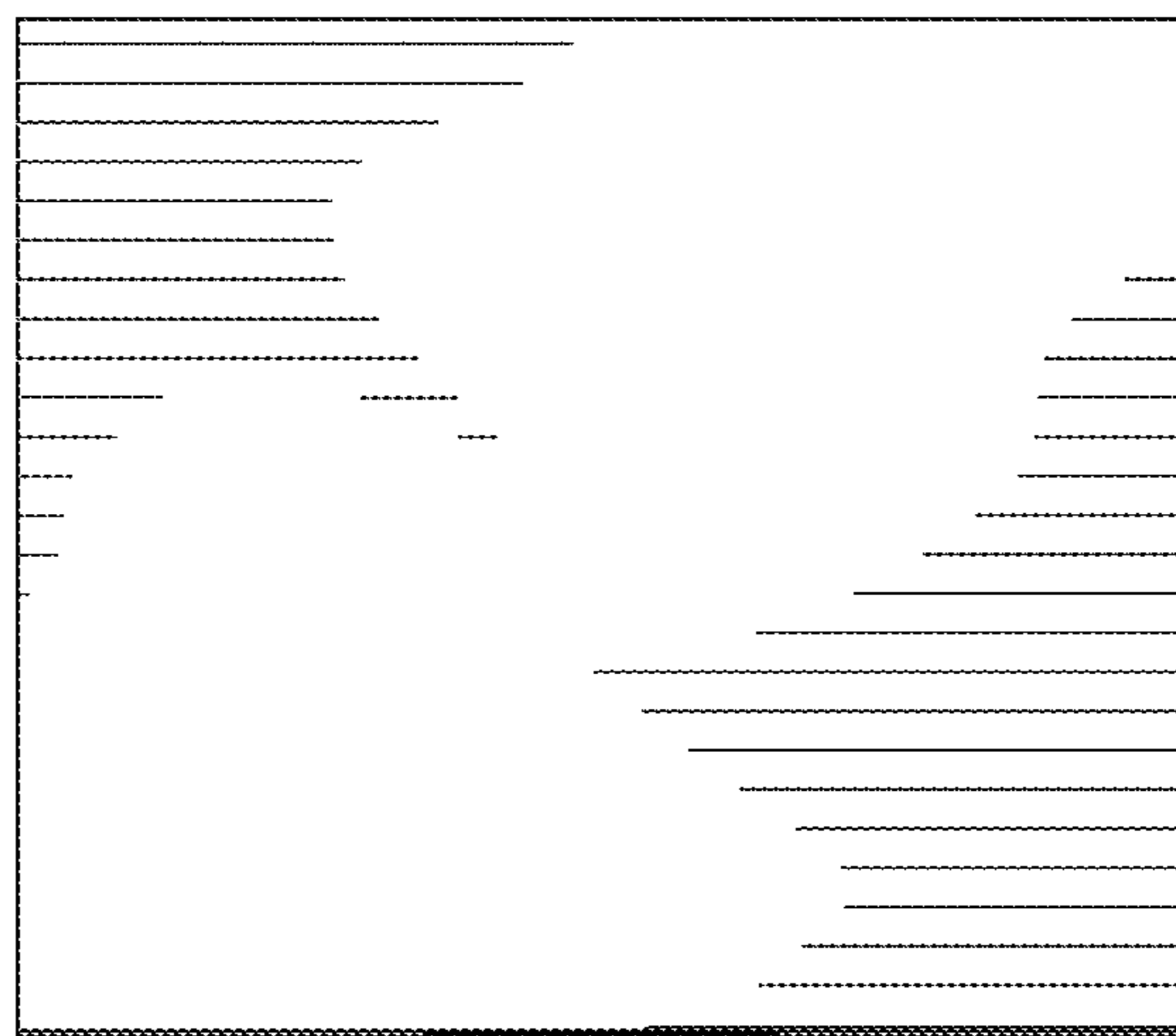


FIG. 8