



US00D935814S

(12) **United States Design Patent** (10) **Patent No.:** **US D935,814 S**
Nakamura et al. (45) **Date of Patent:** **** Nov. 16, 2021**

(54) **DISPLAY**

(71) Applicant: **SONY CORPORATION**, Tokyo (JP)

(72) Inventors: **Tomoharu Nakamura**, Tokyo (JP);
Yuji Nakahata, Tokyo (JP)

(73) Assignee: **SONY CORPORATION**, Tokyo (JP)

(**) Term: **15 Years**

(21) Appl. No.: **29/661,993**

(22) Filed: **Aug. 31, 2018**

(30) **Foreign Application Priority Data**

May 16, 2018 (JP) 2018-010724
May 16, 2018 (JP) 2018-010725
May 16, 2018 (JP) 2018-010726

(51) **LOC (13) Cl.** **06-06**

(52) **U.S. Cl.**
USPC **D6/677**

(58) **Field of Classification Search**
USPC D6/672, 677, 677.1, 682, 682.1, 708;
D14/216, 356, 188, 204
(Continued)

(56) **References Cited**

U.S. PATENT DOCUMENTS

D194,466 S * 1/1963 Johnson D6/657
D206,905 S * 2/1967 Noyes et al. D6/677
(Continued)

FOREIGN PATENT DOCUMENTS

JP S56-94378 A 7/1981
JP 1360507 S 6/2009
(Continued)

OTHER PUBLICATIONS

Office Action issued in Japanese Application No. D2018-010724,
dated Feb. 5, 2019.

(Continued)

Primary Examiner — Kelley A Donnelly

(74) *Attorney, Agent, or Firm* — Michael Best and
Friedrich LLP

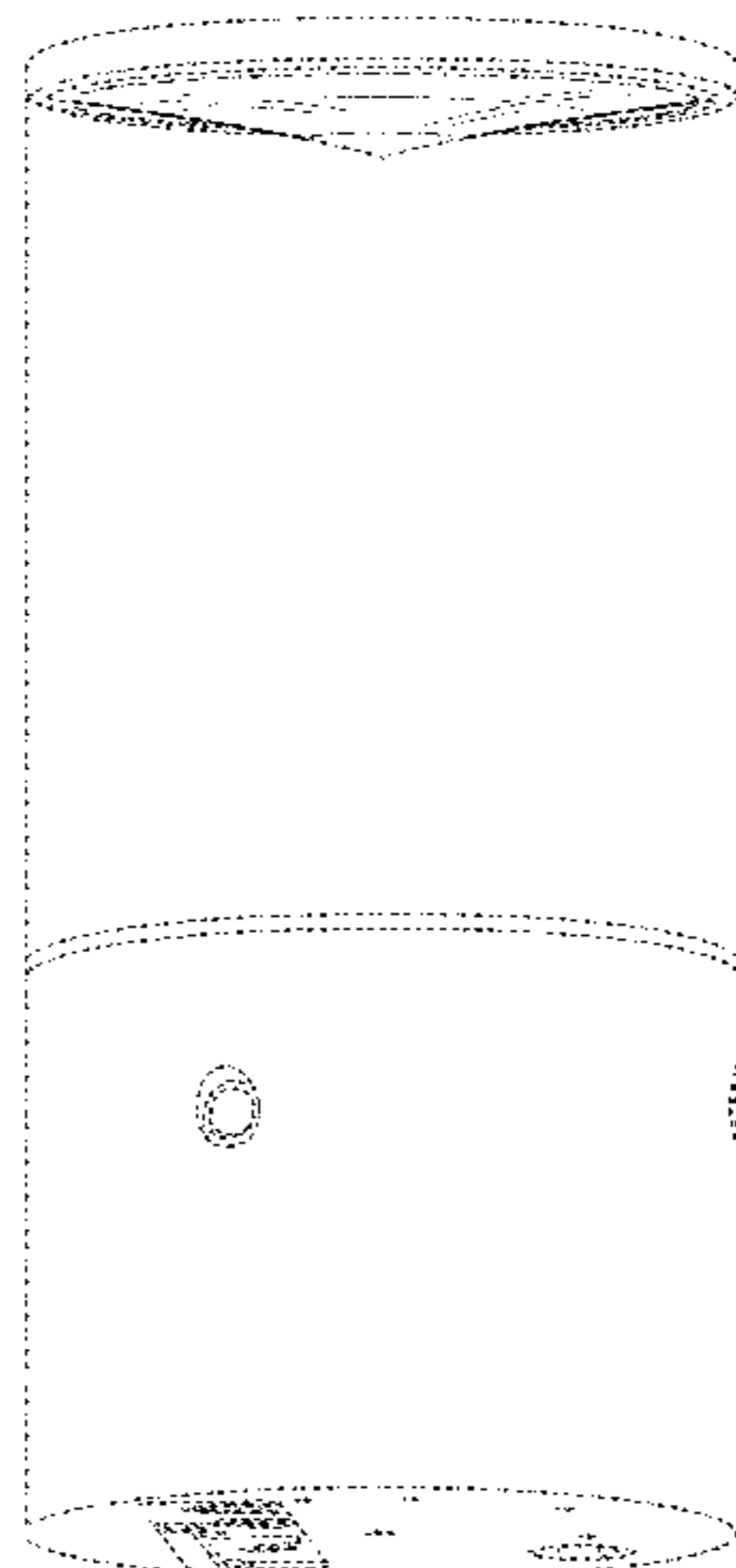
(57) **CLAIM**

The ornamental design for a display, as shown and
described.

DESCRIPTION

FIG. 1 is a perspective view of a first embodiment of a
display showing our new design;
FIG. 2 is a front elevational view thereof;
FIG. 3 is a rear elevational view thereof;
FIG. 4 is a left side elevational view thereof;
FIG. 5 is a right side elevational view thereof;
FIG. 6 is a partially enlarged front elevational view thereof
along the line 6-6 of FIG. 2;
FIG. 7 is a cross sectional view thereof cut along the line 7-7
of FIG. 3; and
FIG. 8 is a cross sectional view thereof cut along the line 8-8
of FIG. 3 wherein internal structure thereof is omitted.
FIG. 9 is a perspective view of a second embodiment of a
display showing our new design;
FIG. 10 is a front elevational view thereof;
FIG. 11 is a rear elevational view thereof;
FIG. 12 is a left side elevational view thereof;
FIG. 13 is a right side elevational view thereof;
FIG. 14 is a partially enlarged front elevational view thereof
along the line 14-14 of FIG. 10;
FIG. 15 is a cross sectional view thereof cut along the line
15-15 of FIG. 11; and,
FIG. 16 is a cross sectional view thereof cut along the line
16-16 of FIG. 11 wherein internal structure thereof is
omitted.
The broken lines illustrating the unclaimed portions of the
display form no part of the claimed design. Dot-dash broken
lines defining the boundaries of the claimed design form no
part of the claimed design.

1 Claim, 14 Drawing Sheets



(58) **Field of Classification Search**

CPC A47F 3/00; A47F 3/001; A47F 5/0081;
 A47F 5/16; H04R 1/026; H04R 2420/07;
 H04R 1/00; H04R 1/345; H04R
 2227/005; H04R 2400/11; H04R 2420/09;
 G06F 3/167; G10K 11/26

See application file for complete search history.

D870,701 S * 12/2019 Lee D14/211
 D873,244 S * 1/2020 Lee D14/216
 D880,455 S * 4/2020 Wahlgren D14/216
 D881,161 S * 4/2020 Chen D14/216
 D882,548 S * 4/2020 Guo D14/216
 D886,786 S * 6/2020 Chen D14/204
 2020/0354120 A1* 11/2020 Gilbert B65D 43/02

(56) **References Cited**

U.S. PATENT DOCUMENTS

D280,159 S * 8/1985 Silver D6/677
 D294,895 S * 3/1988 Valento D6/677
 D393,959 S * 5/1998 Geier D6/678
 D558,517 S * 1/2008 Larkin D7/401.1
 D564,793 S * 3/2008 Shea D6/677
 D635,552 S 4/2011 Yokoyama
 D823,833 S * 7/2018 Shiono D14/216
 D864,018 S * 10/2019 Fishman D11/148
 D868,740 S * 12/2019 Kang D14/216

FOREIGN PATENT DOCUMENTS

JP 1519678 S 3/2015
 JP 1519679 S 3/2015

OTHER PUBLICATIONS

Office Action issued in Japanese Application No. D2018-010725,
 dated Feb. 5, 2019.

Office Action issued in Japanese Application No. D2018-010726,
 dated Feb. 5, 2019.

* cited by examiner

FIG.1

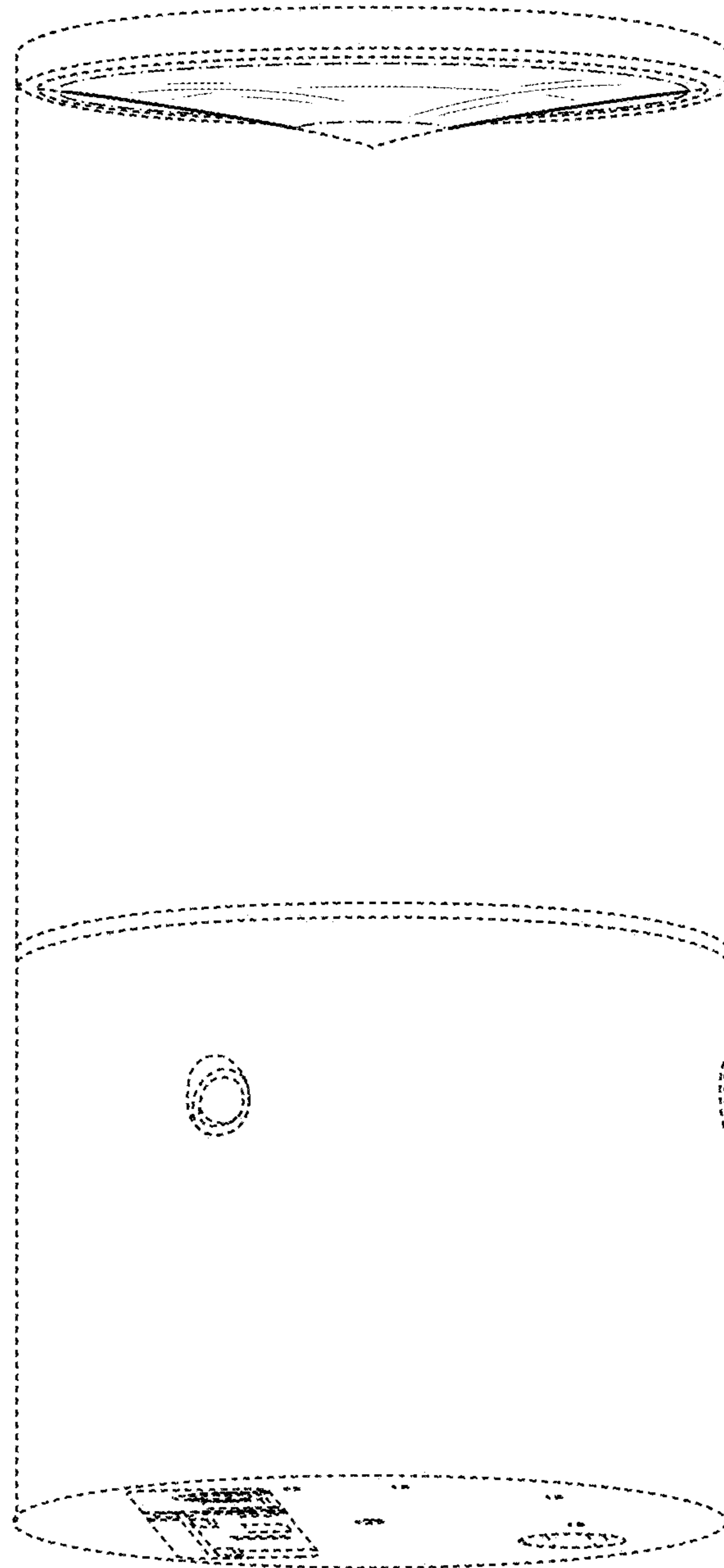


FIG.2

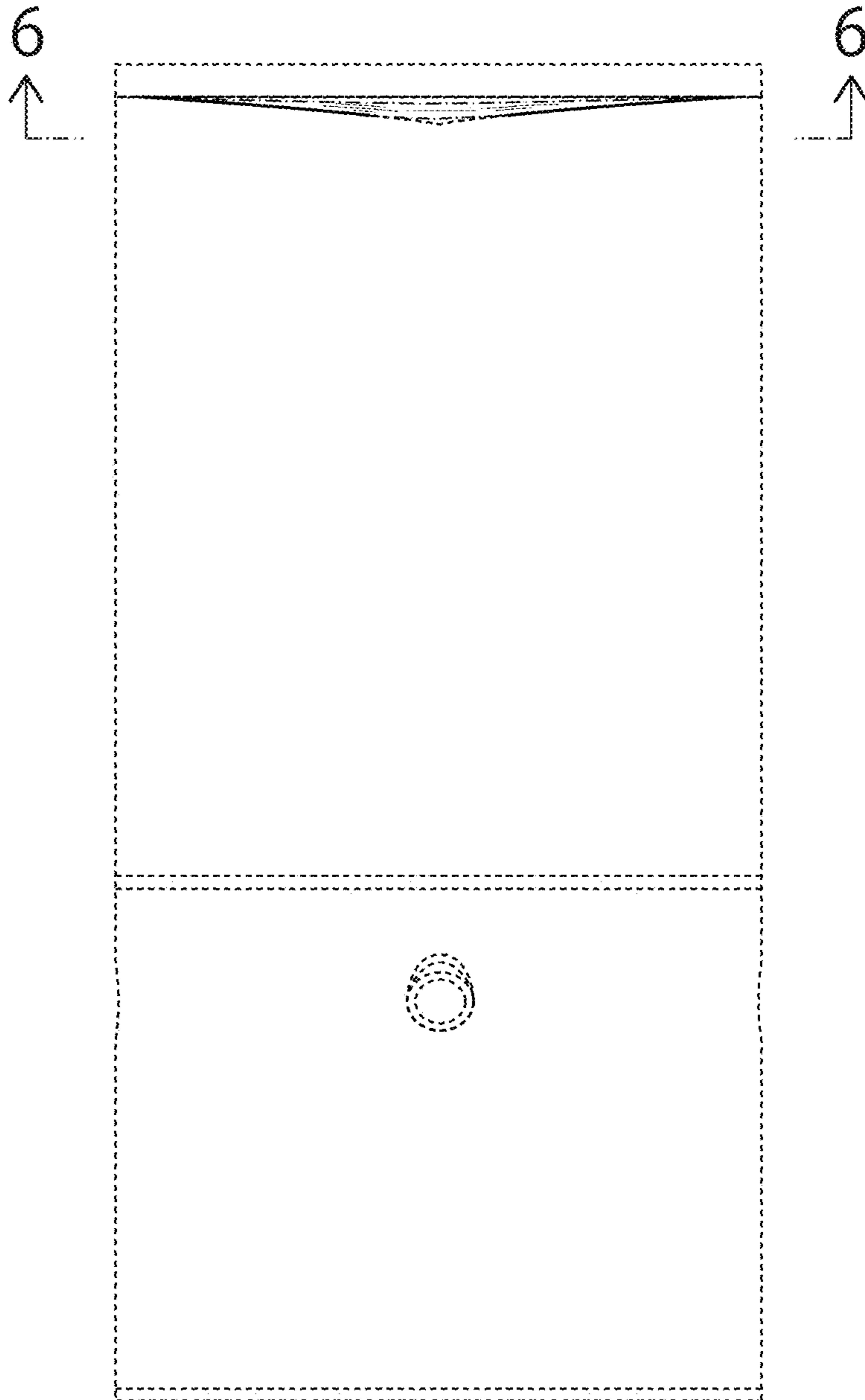


FIG.3

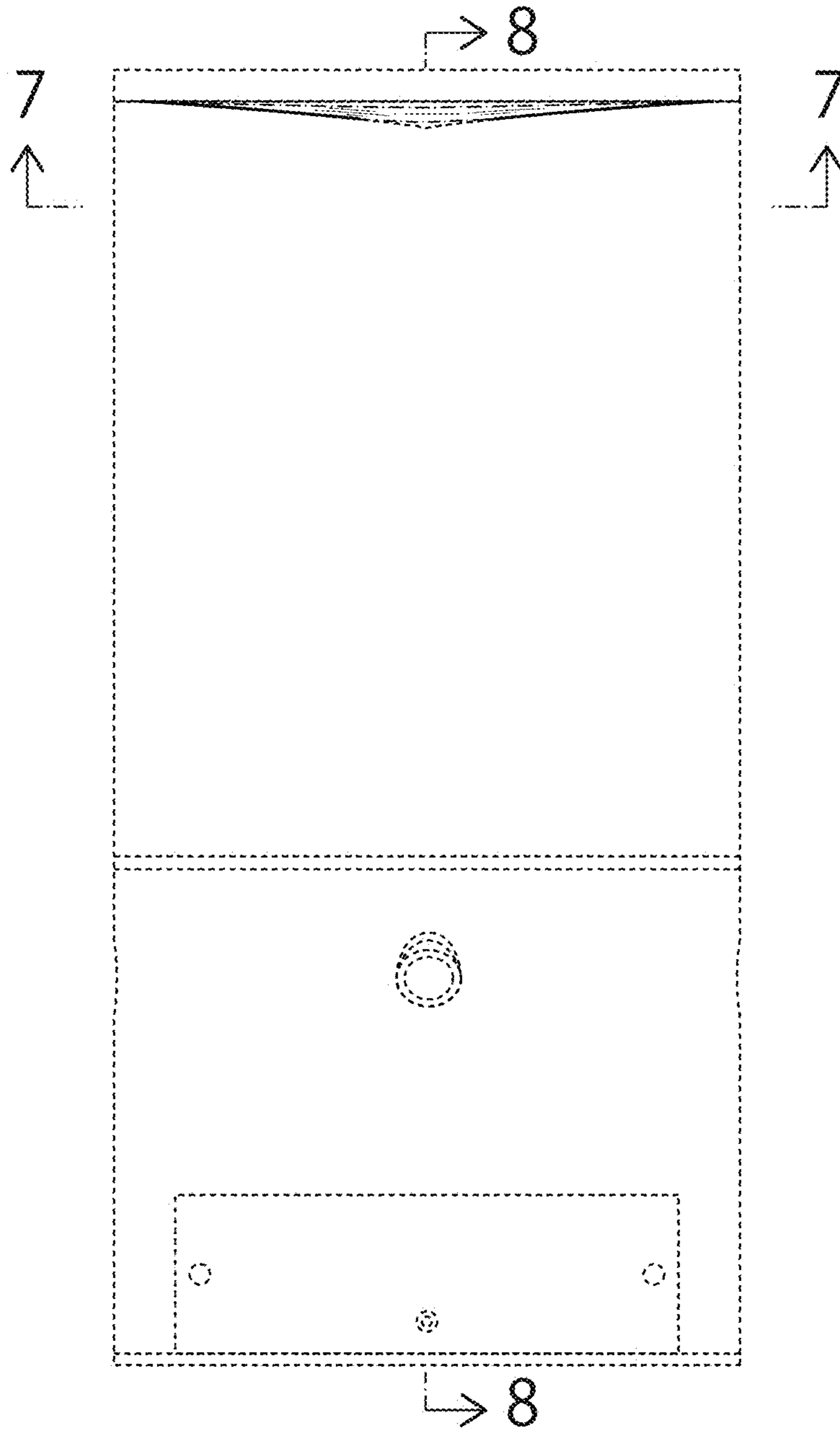


FIG.4

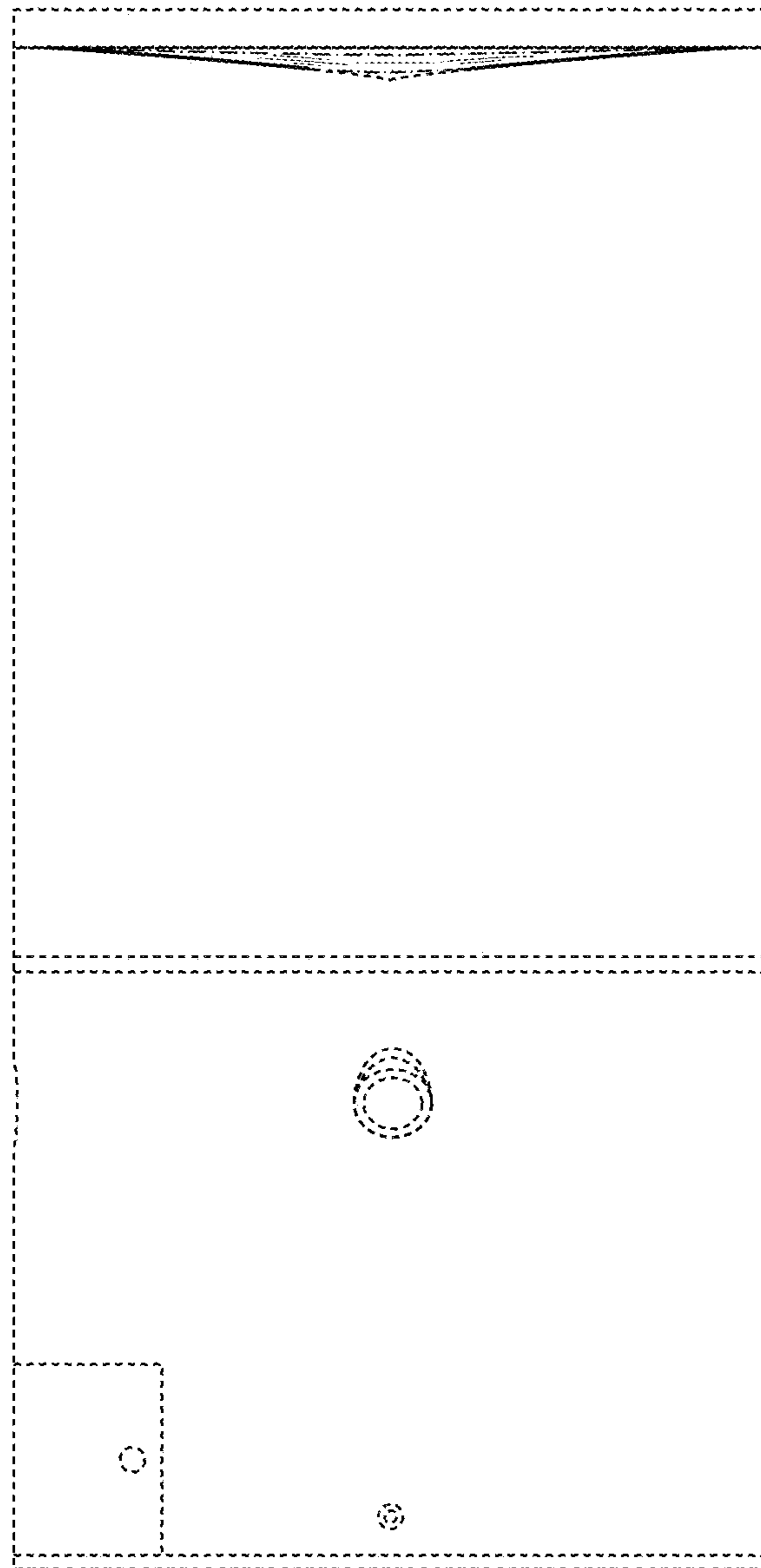


FIG.5

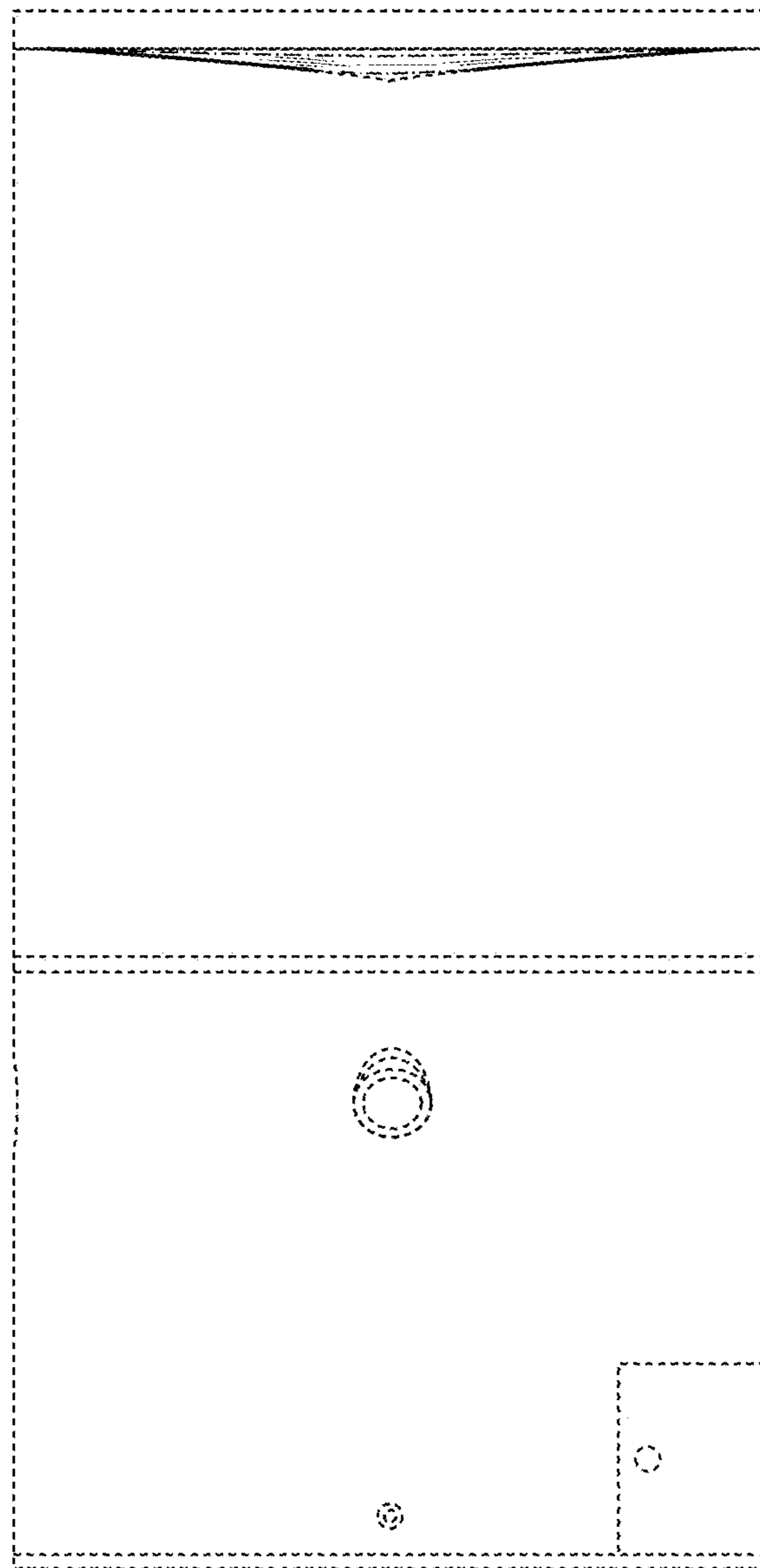


FIG.6

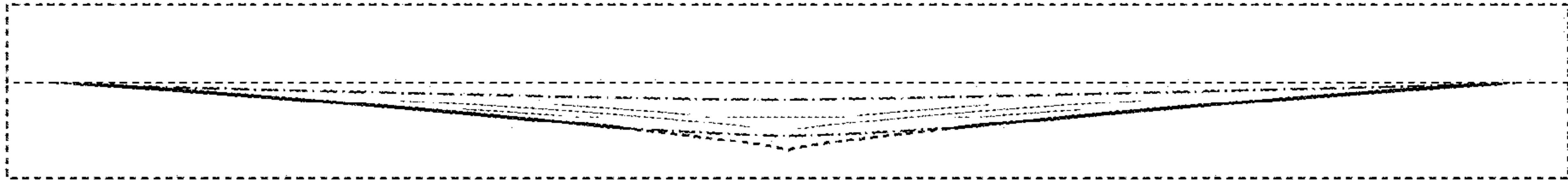


FIG.7

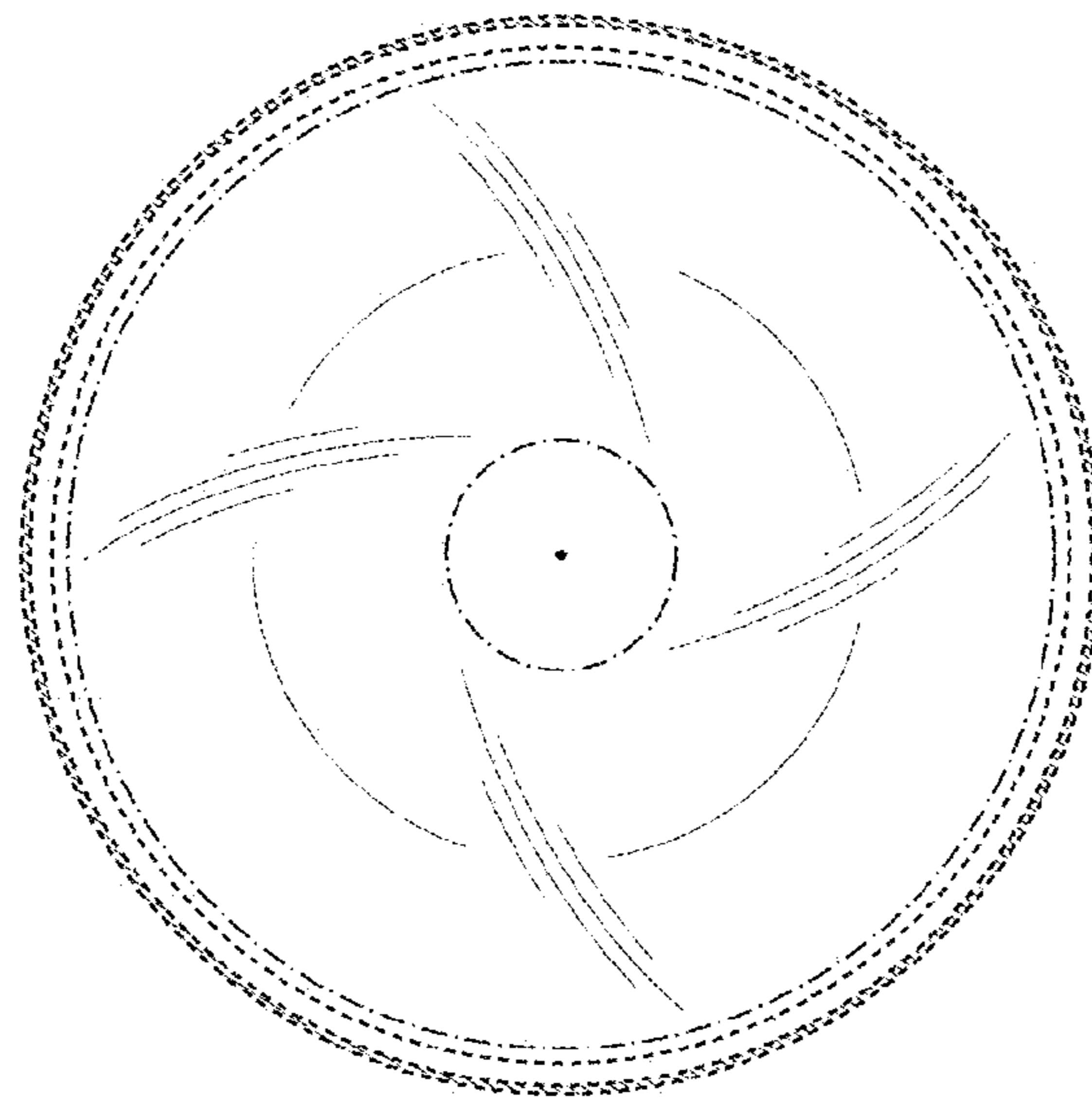


FIG.8

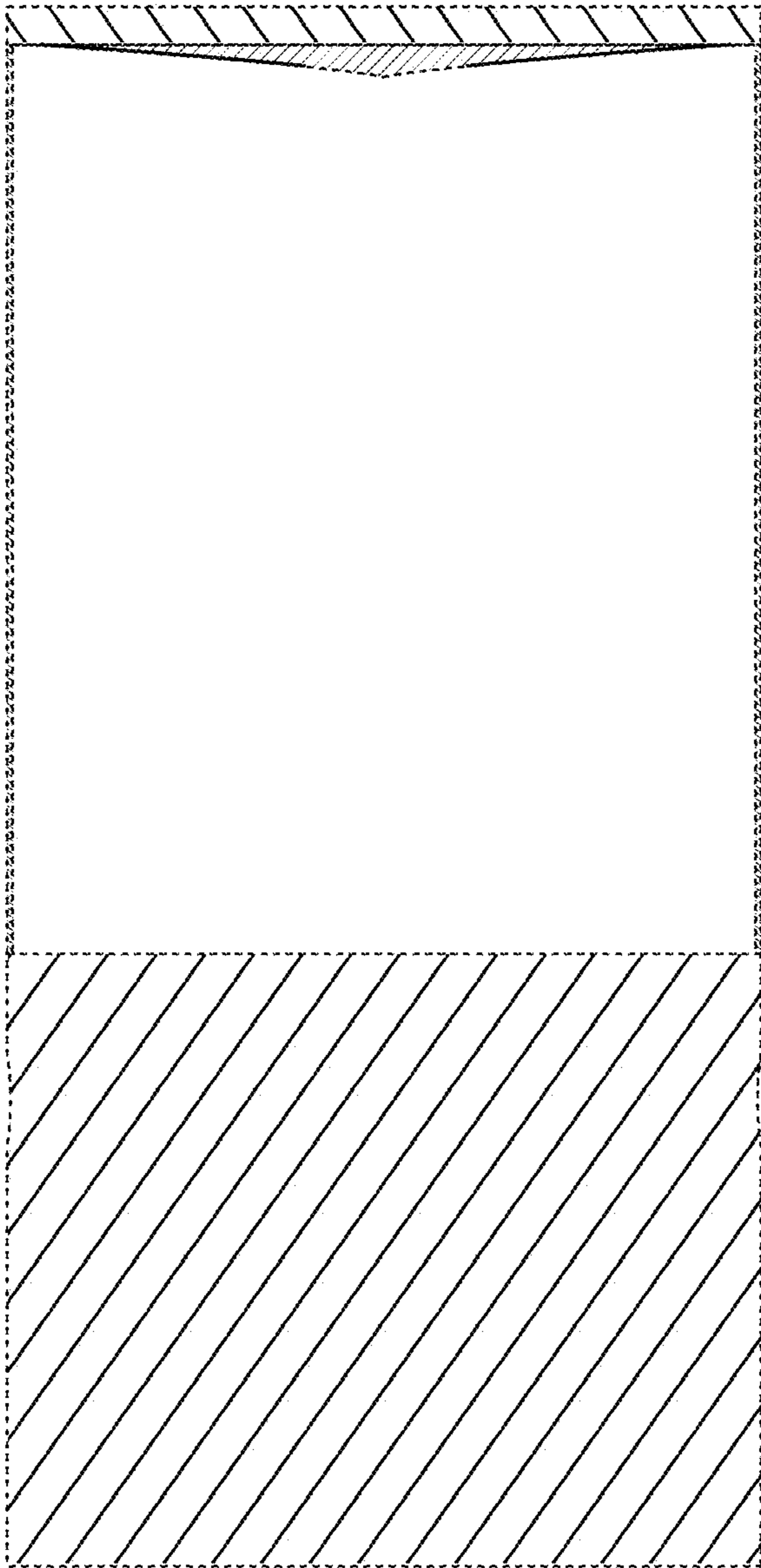


FIG.9

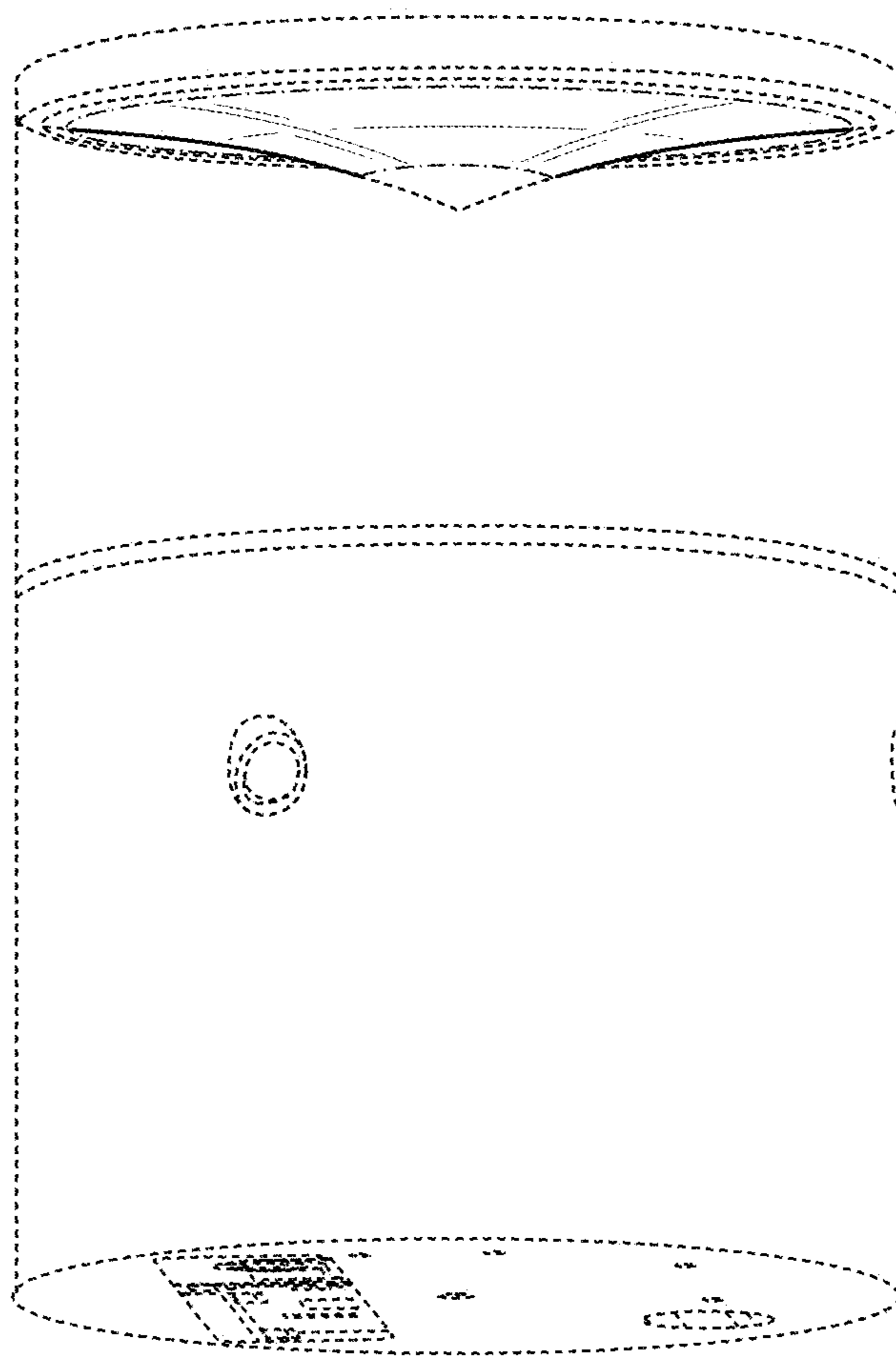


FIG.10

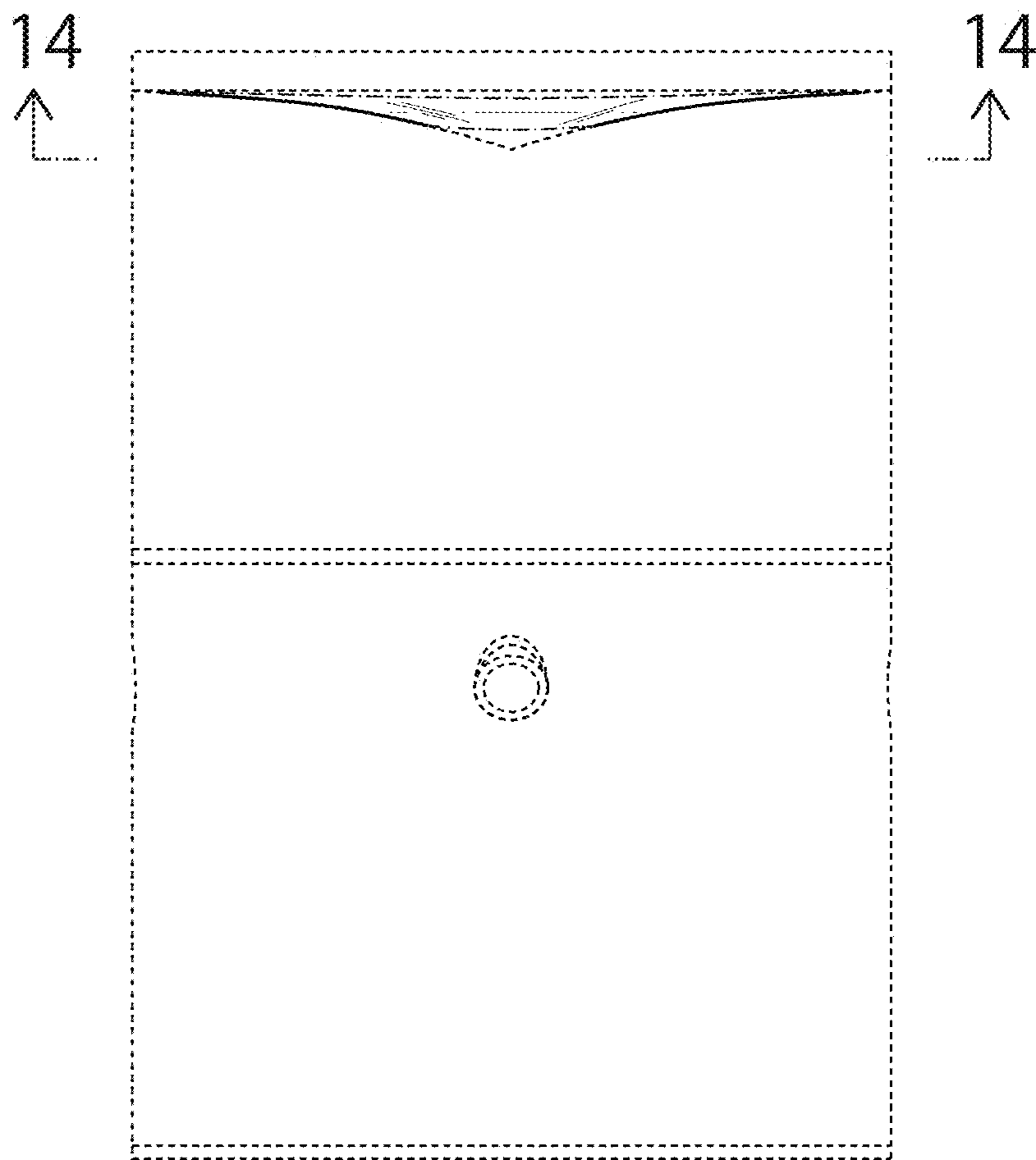


FIG. 11

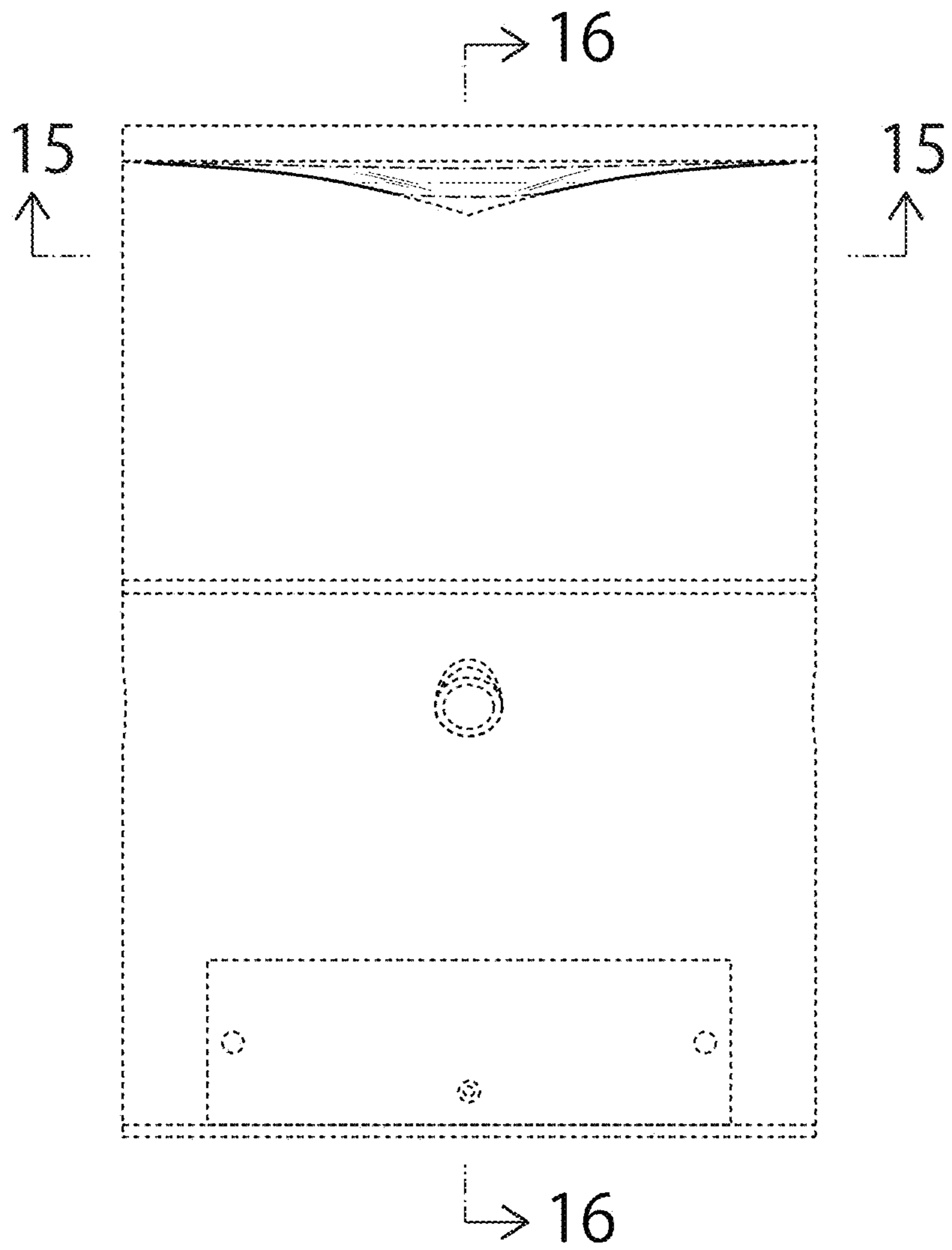


FIG. 12

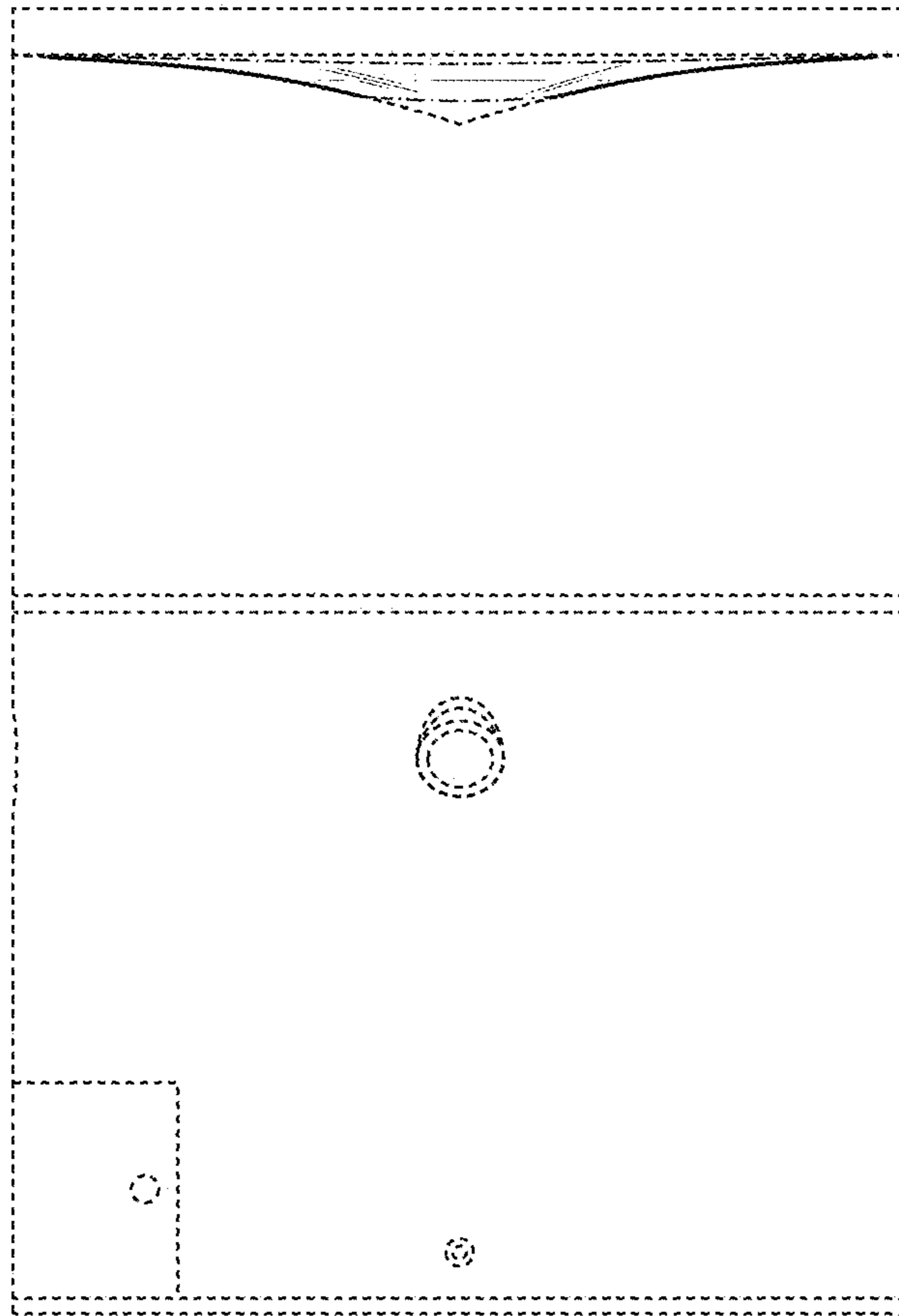


FIG. 13

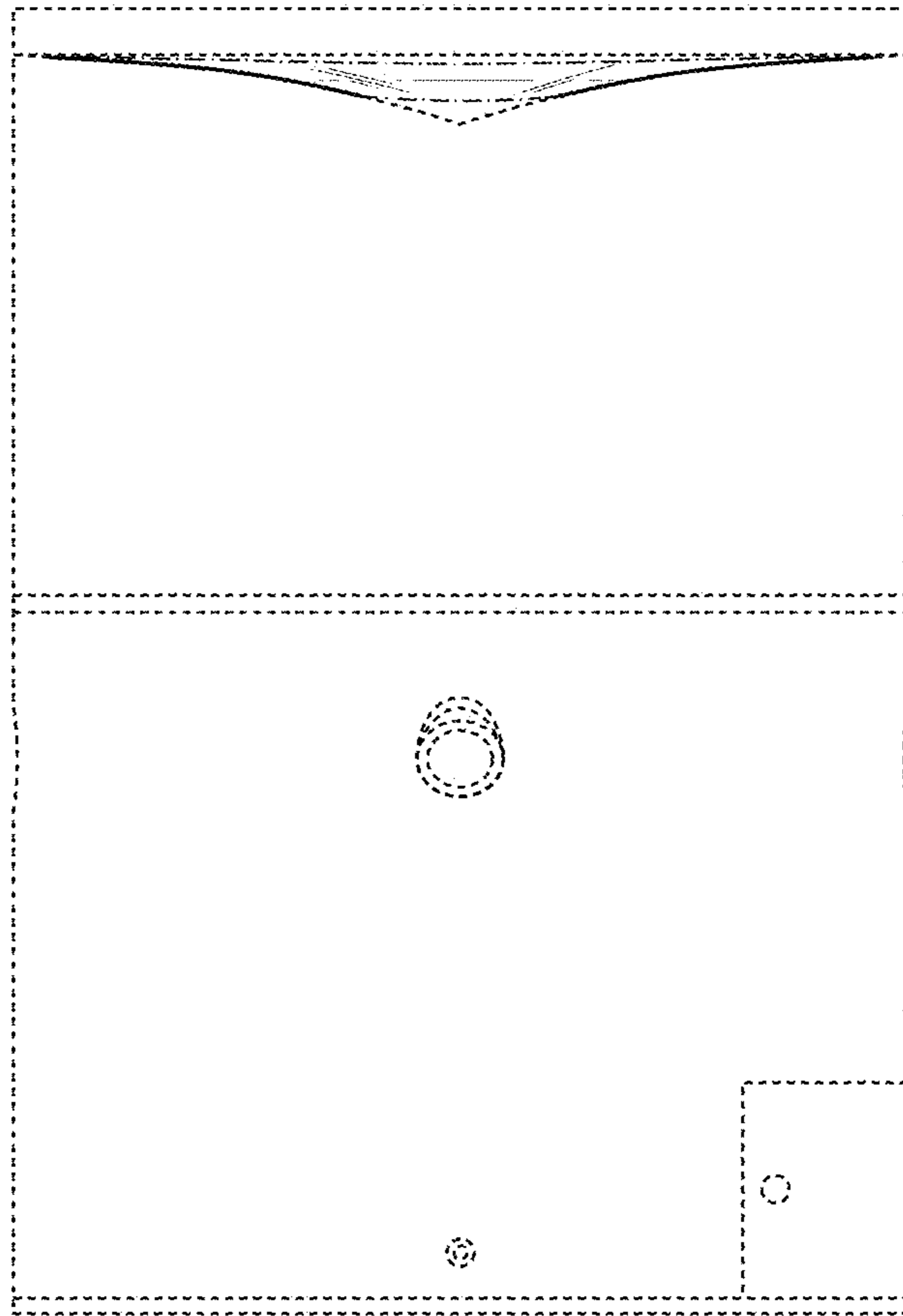


FIG.14

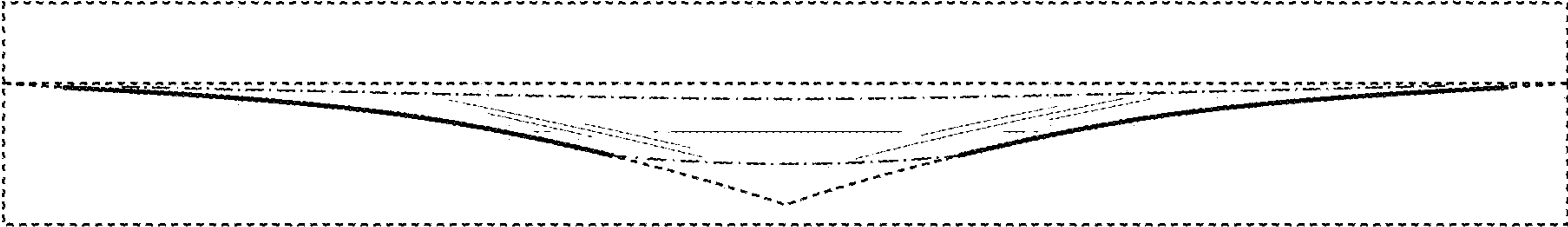


FIG.15

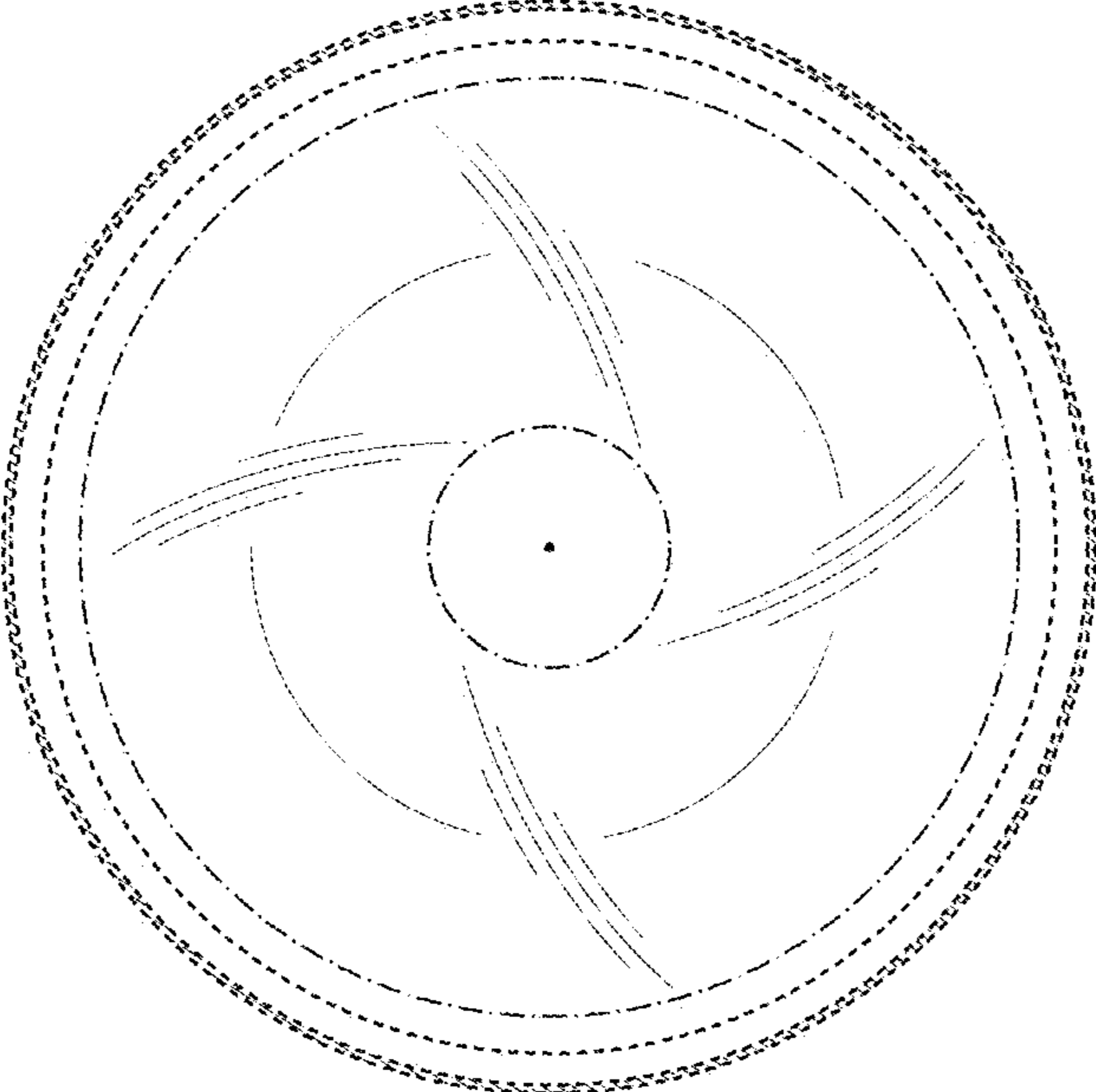


FIG. 16

