



US00D935810S

(12) **United States Design Patent** (10) **Patent No.:** **US D935,810 S**
Davis et al. (45) **Date of Patent:** **** *Nov. 16, 2021**

(54) **DRESSER**
(71) Applicant: **WALKER EDISON FURNITURE COMPANY LLC**, Salt Lake City, UT (US)
(72) Inventors: **Matthew Davis**, Millcreek, UT (US); **Brad Bonham**, Draper, UT (US); **Richard A. Packer**, Kaysville, UT (US); **Alexa Naylor**, South Jordan, UT (US)

D193,717 S * 10/1962 Deaton D6/671.1
D259,316 S 5/1981 Offredi
D296,505 S * 7/1988 Kaliski D6/671.1
D312,738 S * 12/1990 Newhouse D6/671.1
D379,880 S * 6/1997 Stoeckli D6/671.1
D384,525 S * 10/1997 McBrayer D6/671.1
D394,171 S 5/1998 De Blaay
D440,073 S 4/2001 Cain
D440,074 S 4/2001 Hutton
D462,008 S 8/2002 Stone
(Continued)

(73) Assignee: **Walker Edison Furniture Company LLC**, West Jordan, UT (US)

(*) Notice: This patent is subject to a terminal disclaimer.

(**) Term: **15 Years**

(21) Appl. No.: **29/698,933**

(22) Filed: **Jul. 22, 2019**

(51) **LOC (13) Cl.** **06-04**

(52) **U.S. Cl.**
USPC **D6/671.1**

(58) **Field of Classification Search**
USPC D6/657, 660, 661, 662, 668, 668.1, 671, D6/671.1, 671.4
CPC A47B 67/00; A47B 67/005; A47B 67/04; A47B 2220/0072; A47B 2220/01; A47B 85/00; A47B 79/00; A47B 61/00
See application file for complete search history.

(56) **References Cited**

U.S. PATENT DOCUMENTS

D120,370 S 5/1940 Bach
D129,484 S * 9/1941 Jiranek D6/671.1
D165,241 S 11/1951 Porter
D165,243 S 11/1951 Porter
D167,770 S 9/1952 Porter
D187,232 S 2/1960 Matyas

OTHER PUBLICATIONS

Mid-Century Solid Pine Three-Drawer Storage Chest, Middlebrook Designs, Overstock.com, review date with photo of Jun. 8, 2019, site visited Dec. 9, 2020, available online at <https://www.overstock.com/Home-Garden/Mid-Century-3-Drawer-Chest/25483239/customer-reviews.html> (Year: 2019).*

(Continued)

Primary Examiner — Mary Ann Calabrese
Assistant Examiner — Katelin G Kloberg
(74) *Attorney, Agent, or Firm* — Workman Nydegger

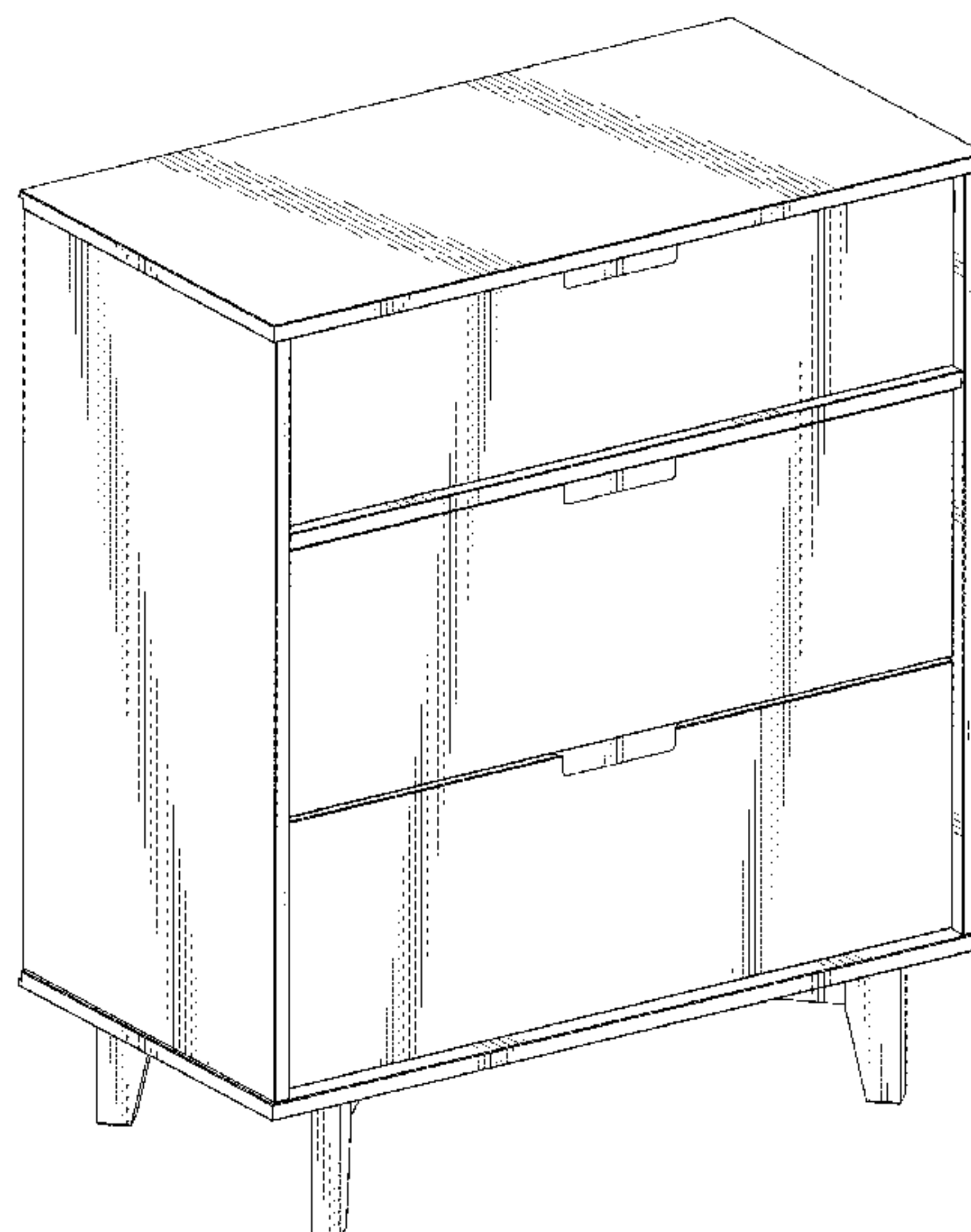
(57) **CLAIM**

The ornamental design for a dresser, as shown and described.

DESCRIPTION

FIG. 1 is a front perspective view of a dresser showing the new design;
FIG. 2 is a front elevation view thereof;
FIG. 3 is a back elevation view thereof;
FIG. 4 is a top plan view thereof;
FIG. 5 is a bottom plan view thereof;
FIG. 6 is a right elevation view thereof; and,
FIG. 7 is a left elevation view thereof.
The broken lines in the drawings are for the purpose of illustrating portions of the article that form no part of the claimed design.

1 Claim, 4 Drawing Sheets



(56)

References Cited

U.S. PATENT DOCUMENTS

D466,332 S	12/2002	Risdon	
D475,225 S *	6/2003	McBrayer, Jr.	D6/703
D487,200 S	3/2004	Wanek	
D488,002 S *	4/2004	Wanek	D6/671.1
D493,043 S	7/2004	Juneau	
D496,190 S	9/2004	Muhundro	
D499,274 S	12/2004	Juneau	
D502,821 S	3/2005	Muhundro	
D503,297 S	3/2005	Muhundro	
D506,089 S	6/2005	Muhundro	
D508,347 S *	8/2005	Juneau	D6/671.1
D511,053 S	11/2005	Peterson	
D512,247 S	12/2005	Prillaman	
D515,842 S	2/2006	Peterson	
D516,342 S	3/2006	Mohundro	
D519,299 S	4/2006	Boudreau	
D525,049 S	7/2006	Mohundro	
D526,814 S *	8/2006	Juneau	D6/671.1
D532,992 S *	12/2006	Kingsley	D6/668.2
D533,732 S *	12/2006	Juneau	D6/671.1
D542,057 S *	5/2007	Juneau	D6/671.1
D560,388 S	1/2008	Bacon	
D626,635 S	11/2010	Thomas	
D718,956 S	12/2014	Helser	
D738,142 S	9/2015	Glattstein	
D747,123 S	1/2016	Zambelli	
D805,814 S	12/2017	Ginestra	
D815,465 S	4/2018	Hannoosh	
D815,466 S	4/2018	Hannoosh	
D815,467 S	4/2018	Hannoosh	
D815,468 S *	4/2018	Hannoosh	D6/671.1
D818,745 S *	5/2018	Hannoosh	D6/671.1
D848,767 S	5/2019	Smrstick	
D861,389 S *	10/2019	Bray	D6/671
D862,134 S *	10/2019	Bray	D6/671
D862,135 S *	10/2019	Birch	D6/671
D867,033 S	11/2019	Bellini	
D867,791 S *	11/2019	Birch	D6/671
D889,170 S	7/2020	Knox	
D894,641 S	9/2020	Davis	
D895,329 S	9/2020	Knox	

OTHER PUBLICATIONS

West Elm Mid-Century 6-Drawer Dresser, Copycatchic.com, Apr. 7, 2016, site visited Dec. 10, 2020, available online at <https://www.bloglovin.com/blogs/copy-cat-chic-1715405/west-elm-mid-century-6-drawer-dresser-4825048972> (Year: 2016).*

“Eden Bridge Design Modern Midcentury Dresser.” Found online Mar. 26, 2021 at www.amazon.co.uk. Product first available Jan. 23, 2019. Retrieved from URL: <https://tinyurl.com/r6uscnuw> (Year: 2019).*

“Walker Edison 3 Drawer.” Found online Mar. 26, 2021 at www.amazon.com. Product reviewed Apr. 15, 2019. Retrieved from URL: https://www.amazon.com/WE-Furniture-AZR6DSLDRCA-Dresser-Caramel/dp/B07N28F4BL/ref=dp_fod_3?pd_rd_i=B07N26VX8S&th=1 (Year: 2019).*

“Desert Fields Sonoma 3-Drawer Caramel Dresser.” Found online Mar. 26, 2021 at www.walmart.com. Product reviewed May 16, 2019. Retrieved from URL: <https://www.walmart.com/ip/Desert-Fields-Sonoma-3-Drawer-Caramel-Dresser/753739235?selected=true> (Year: 2019).*

U.S. Appl. No. 29/677,754, filed Jan. 23, 2019, Davis.
 U.S. Appl. No. 29/698,929, filed Jul. 22, 2019, Davis.
 U.S. Appl. No. 29/698,934, filed Jul. 22, 2019, Davis.
 U.S. Appl. No. 29/699,073, filed Jul. 23, 2019, Davis.
 U.S. Appl. No. 29/720,725, filed Jan. 15, 2020, Davis.
 U.S. Appl. No. 29/721,169, filed Jan. 17, 2020, Davis.
 U.S. Appl. No. 29/743,596, filed Jul. 22, 2020, Packer.
 U.S. Appl. No. 29/743,597, filed Jul. 22, 2020, Packer.
 Pinterest; 5050 Lacquered bedside table by Molteni & C.; <https://www.pinterest.com/pin/33636328453042318/>; Retrieved on Oct. 15, 2018.

Archiproducts; 5050 Lacquered bedside table by Molteni & C.; https://www.archiproducts.com/en/products/molteni-c/wooden-bedside-table-with-drawers-5050-lacquered-bedside-table_246952; Retrieved on Oct. 15, 2018.

Pinterest; Cabinet Furniture; Furniture Design collezione 2011 Ottoman Box by Aksu <https://www.pinterest.com/pin/33636328452974953/>; Retrieved on Nov. 25, 2019.

Cole; Container; <http://coleitalia.com/product/ottoman-box/>; Retrieved on Nov. 25, 2019.

U.S. Appl. No. 29/699,073, Sep. 16, 2020, Notice of Allowance.

Carson Carrington Longyearbyen Mid-century Modern Nightstand, Overstock.com, review date with photograph of Jan. 22, 2019, site visited Dec. 9, 2020, available online at <https://www.overstock.com/Home-Garden/Carson-Carrington-Longyearbyen-20-inch-Mid-century-2-drawer-Nightstand/25482942/customer-reviews.html> (Year: 2019).

U.S. Appl. No. 29/698,929, Dec. 14, 2020, Office Action.

U.S. Appl. No. 29/698,934, Dec. 17, 2020, Office Action.

U.S. Appl. No. 29/767,920, filed Jan. 26, 2021, Duhadway.

U.S. Appl. No. 29/767,921, filed Jan. 26, 2021, Duhadway.

U.S. Appl. No. 29/767,926, filed Jan. 26, 2021, Duhadway.

U.S. Appl. No. 29/768,124, filed Jan. 27, 2021, Naylor.

YouTube; Bourbon Moth Woodworking; Mid Century Walnut Hutch Build/ How-To; Jul. 24, 2018; <https://www.youtube.com/watch?app=desktop&v=R8a4TynV67o&feature=youtu.be>.

Appliancesconnection.com; Walker Edison Buffet BU52SV6D; retrieved on Mar. 11, 2021; <https://www.appliancesconnection.com/walker-edison-bu52sv6d.html>.

“Walker Edison Furniture AZR2DSLNSCA nightstand Caramel.” Found online Mar. 26, 2021 at www.amazon.com. Product reviewed Apr. 15, 2019. Retrieved from URL: <https://www.amazon.com/WE-Furniture-AZR3DSLDRWT-Dresser-Walnut/dp/B07N26W6PG?th=1> (Year: 2019).

“Eden Bridge Designs Mid Century Nightstand.” Found online Mar. 26, 2021 at www.amazon.co.uk. Product first available Apr. 22, 2019. Retrieved from URL: https://www.amazon.co.uk/WE-Furniture-Century-Nightstand-Storage/dp/B07QXLKMW?reL=ast_sto_dp&th=1 (Year: 2019).

“Sonoma 2-Drawer Walnut Nightstand by Bellamy Studios.” Found online Mar. 26, 2021 at www.walmart.com. Product reviewed Mar. 21, 2020. Retrieved from URL: <https://tinyurl.com/2yahxxzc> (Year: 2020).

“Eden Bridge Designs Dresser.” Found online Mar. 26, 2021 at www.amazon.co.uk. Product first available Jan. 23, 2019. Retrieved from URL: <https://www.amazon.co.uk/WE-Furniture-Walker-Century-Dresser/dp/B07N26VX8S> (Year: 2019).

“Carson Carrington Gammelstaden Mid-century 6-drawer Dresser.” Found online Mar. 26, 2021 at www.overstock.com. Product reviewed Jan. 24, 2019. Retrieved from URL <https://tinyurl.com/3uxxs7vu> (Year: 2019).

“Desert Fields Sonoma 6-Drawer.” Found online Mar. 26, 2021 at www.walmart.com. Product reviewed Feb. 6, 2019. Retrieved from URL: <https://tinyurl.com/bs9jfv9t> (Year: 2019).

“Walker Edison Furniture AZR6DSLDRCA Dresser Caramel.” Found online Mar. 26, 2021 at www.amazon.com. Product reviewed May 25, 2019. Retrieved from URL: https://www.amazon.com/WE-Furniture-AZR6DSLDRWT-Dresser-Walnut/dp/B07N26VX8S/ref=dp_fod_2?pd_rd_i=B07N27XGSC&th=1 (Year: 2019).

U.S. Appl. No. 29/698,929, Apr. 2, 2021, Final Office Action.

U.S. Appl. No. 29/698,934, Apr. 2, 2021, Office Action.

Bridgeport by Hopewood; Found online on Mar. 29, 2021 at <https://hubbingtons.com/product-category/bridgeport-by-hopewood/>.

Dovetail Furniture DOV Bridgeport Chest Grey; Found online on Mar. 29, 2021 at <https://www.goodshomefurnishings.com/dovetail-furniture-bridgeport-chest-grey/dov18028-p71/iteminformation.aspx>.

Renegar 2 Door Accent Cabinet; Wayfair.com; found online Apr. 21, 2021; retrieved May 3, 2021 (online); <https://www.wayfair.com/furniture/pdp/gracie-oaks-renegar-2-door-accent-cabinet-w001524010.html>.

(56)

References Cited

OTHER PUBLICATIONS

Albright TV Stand; Wayfair.com; found online Apr. 21, 2021; retrieved May 3, 2021 (online); <https://www.wayfair.com/furniture/pdp/three-posts-albright-tv-stand-w003419693.html?placement=1>.

West Elm Website “furniture” search; Westelm.com; retrieved Apr. 20, 2020 (online); https://www.westelm.com/shop/furniture/?searchredir=true&cm_sp=HeaderLinks_-_OnsiteSearch_-_MainSite&cm_type=OnsiteSearch&term=furniture&searchredirtype=br.

Walker Edison Blog Post, How to Style an Entryway to Impress; walkerredisonshop.com; retrieved Apr. 8, 2021 (online); <https://walkerredisonshop.com/blogs/news>.

Raymour Flanigan Website “Living Rooms” search; raymourflanigan.com; retrieved Nov. 6, 2020 (online); <https://raymourflanigan.com/living-rooms>.

Crate and Barrel Website “Business Interior Design” search; crateandbarrel.com; retrieved Nov. 6, 2020 (online); https://www.crateandbarrel.com/trade-program/?a=784&campaignid=1061902950&adgroupid=55881134521&targetid=aud-1097585102856:kwd-415008832538&adpos=&creative=251673559670&device=c&matchtype=e&network=g&gclid=Cj0KCQjwytOEBhD5ARIsANnRjVgCRKameP5yMquG6rsNP7KAU-nUpzG5NfgZU-PhRCRUgz507littMaAhvLEALw_wcB.

Home Depot—Bridgeport Collection in Antique White; homedepot.com; retrieved May 13, 2020 (online); <https://www.homedepot.com/s/bridgeport%2520collection%2520in%2520antique%2520white?NCNI-5>.

Stuart David—Bridgeport; stuartdavid.com; retrieved May 13, 2020 (online); https://www.stuartdavid.com/search?product_search_api_fulltext=Bridgeport&search_api_views_submit=Submit.

Ohio Hardwood Furniture—Bridgeport 3 Drawer Armoire; ohiohardwoodfurniture.com; retrieved May 13, 2020 (online); <https://www.ohiohardwoodfurniture.com/products/bridgeport-3-drawer-armoire>.

Cabinfield—Brideport Series; cabinfield.com; retrieved May 13, 2020 (online); <https://www.cabinfield.com/fine-furniture/bedroom/contemporary-collection/bridgeport-series-6281>.

Stacy Furniture—Lexington Bedroom Bridgeport Bachelors Chests; stacyfurniture.com; retrieved May 13, 2020 (online); <https://www.stacyfurniture.com/lexington-bridgeport-bachelors-chest/714-624-8/iteminformation.aspx>.

Winhome Furniture Collection, found online May 20, 2021 at <https://www.whfurni.com/collections/all, and> retrieved Jun. 3, 2021.

“Walker Edison Wood Dresser.” Found online Jun. 16, 2021 at www.amazon.com. Product first available Sep. 4, 2018. Retrieved from URL: <https://www.amazon.com/WE-Furniture-AZR6DDDRWT-Dresser-Walnut/dp/B07H35NSL3?th=1> (Year: 2018).

“Ikea 8-drawer.” Found on line Jun. 16, 2021 at www.amazon.com. Product first available Aug. 25, 2016. Retrieved from URL: <https://www.amazon.com/8-drawer-dresser-white-stain-228-52617-3834/dp/B01LOE13SC> (Year: 2016).

U.S. Appl. No. 29/677,754, filed Jun. 23, 2021, Office Action.

* cited by examiner

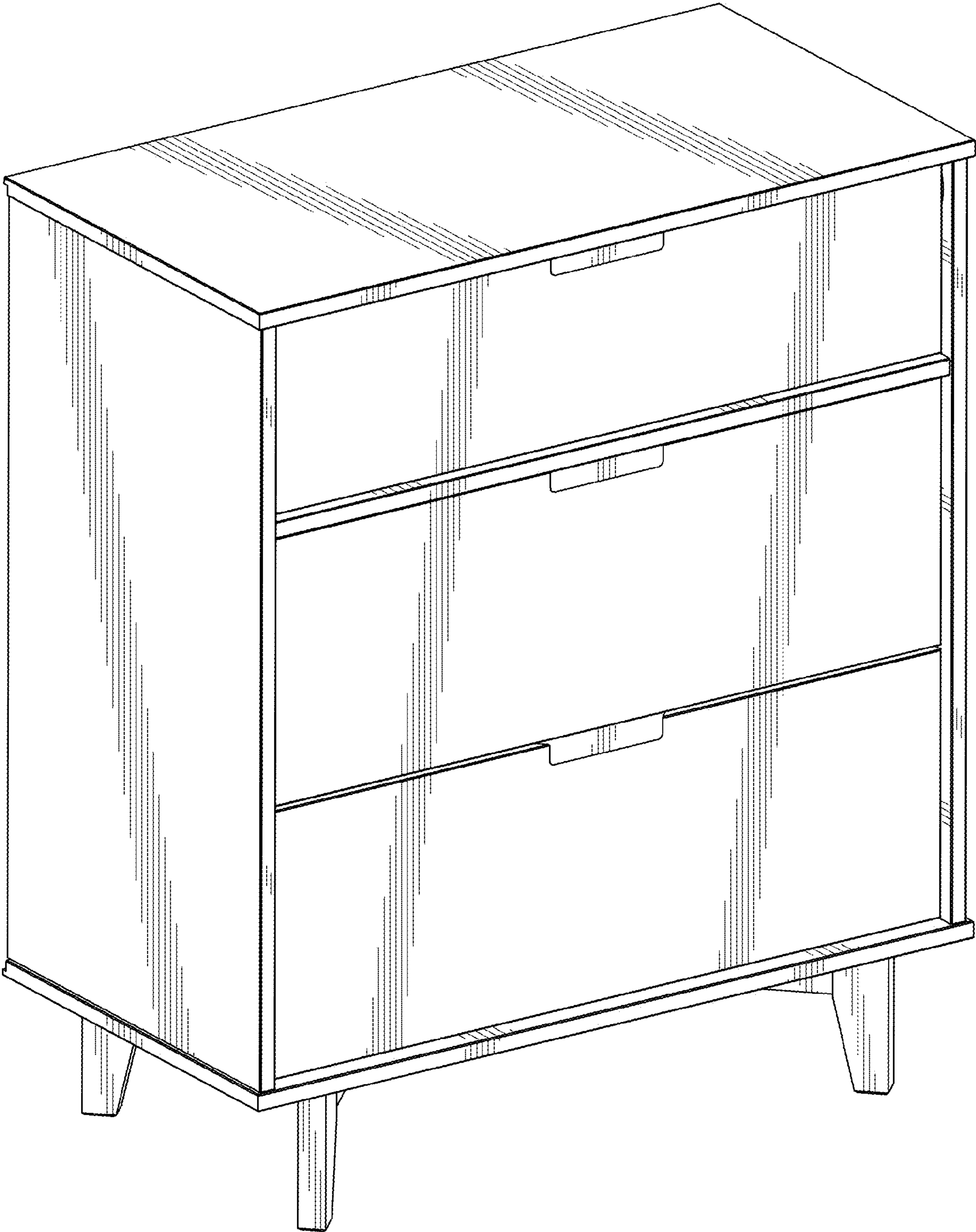


FIG. 1

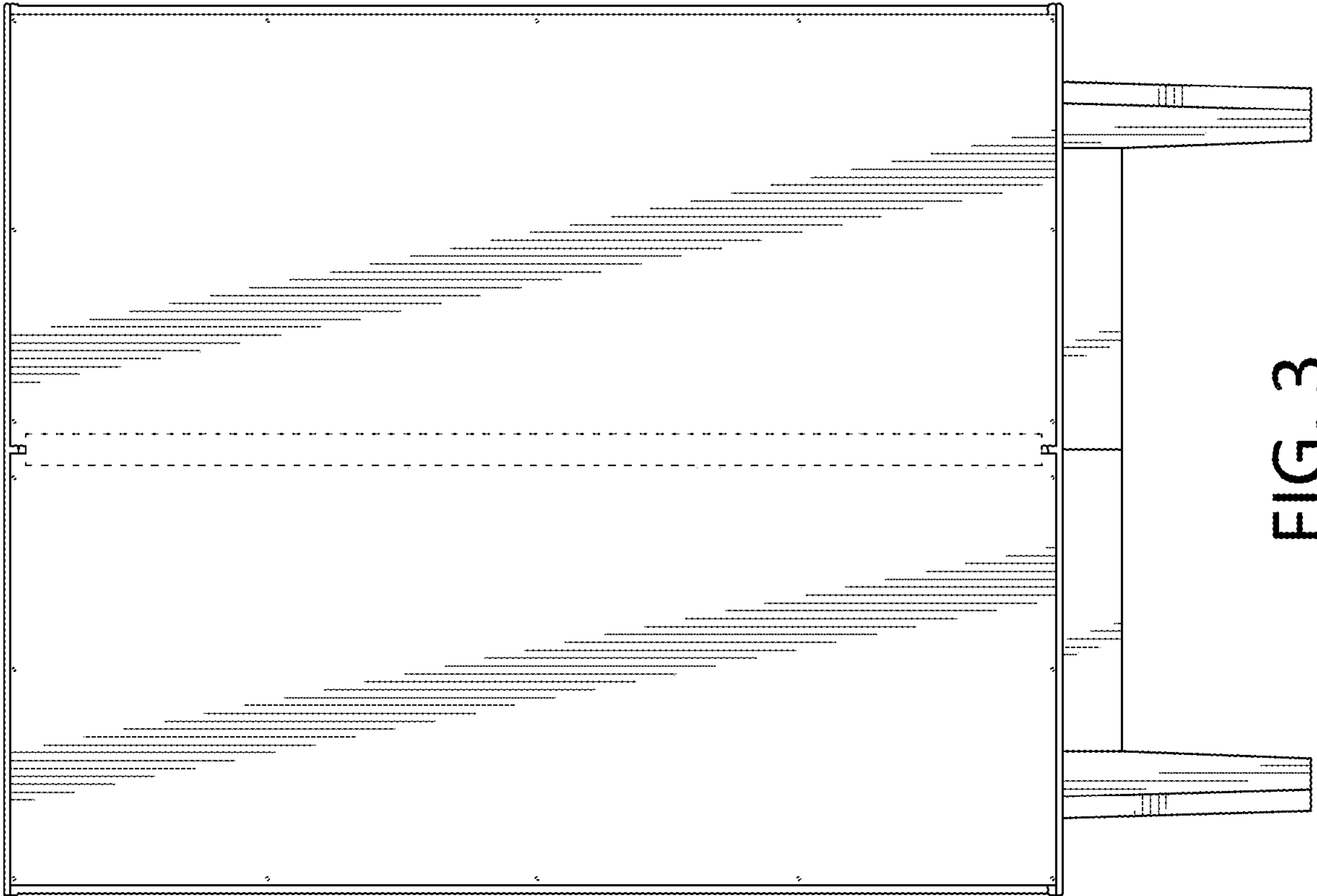


FIG. 3

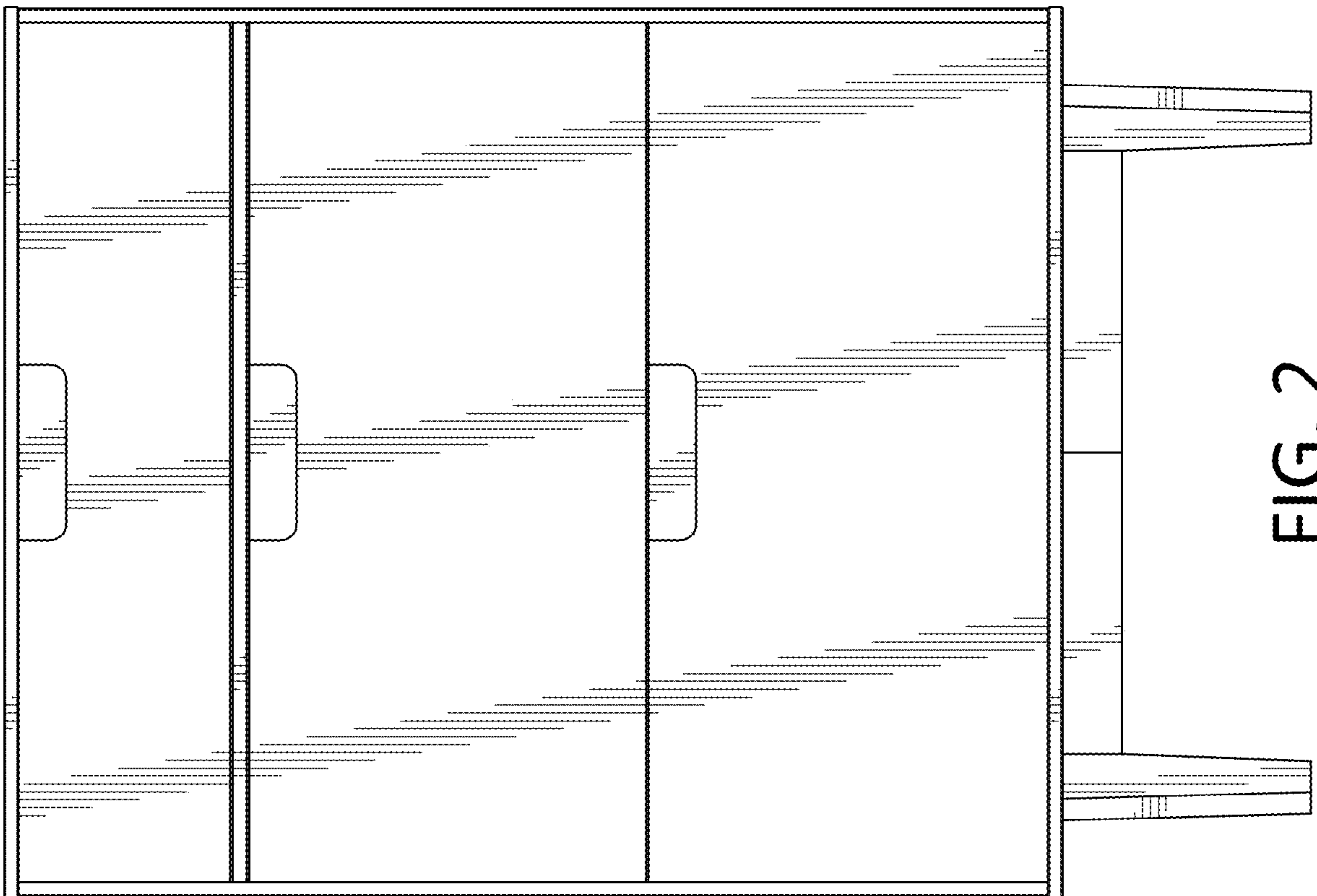


FIG. 2

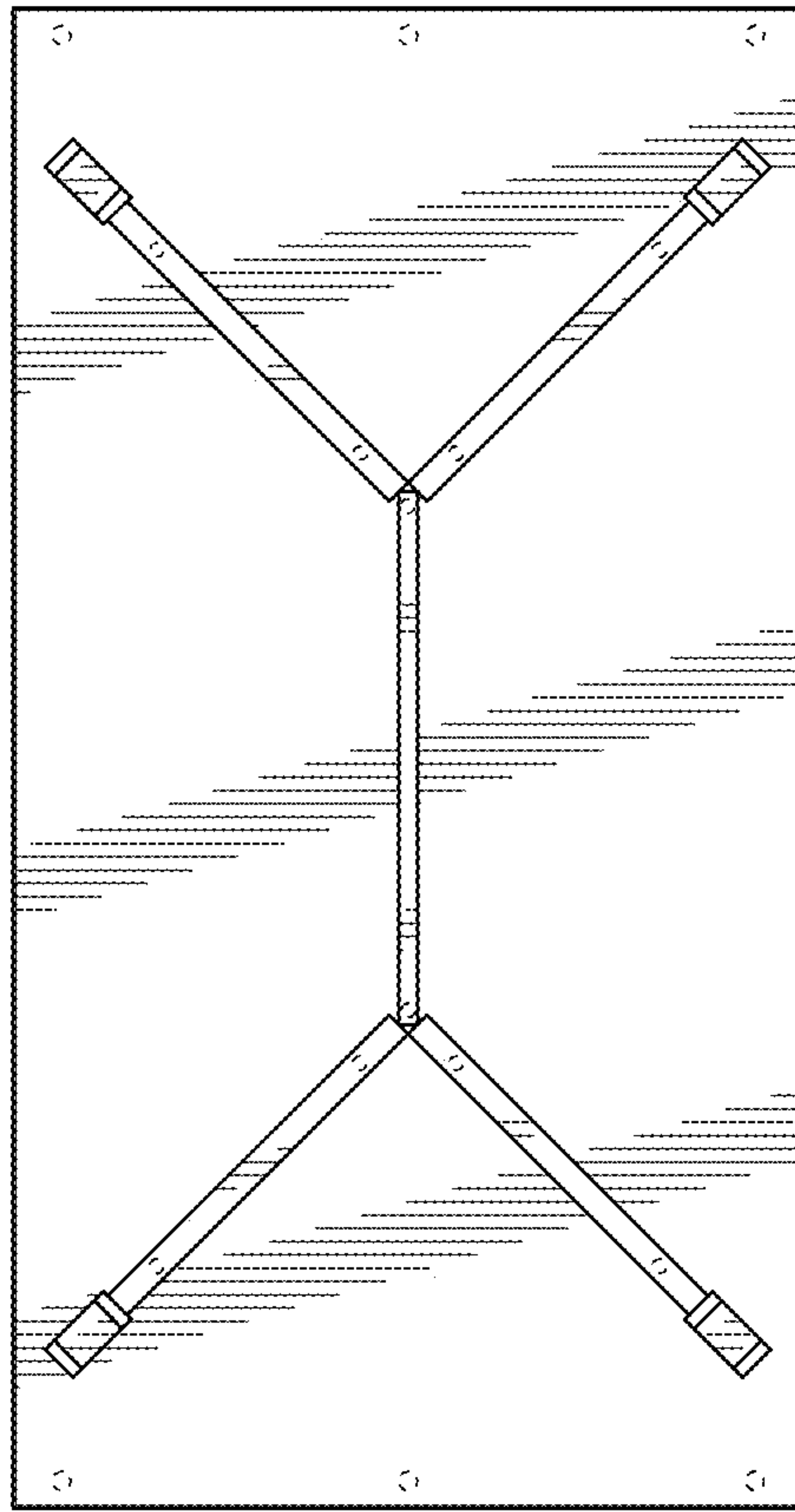


FIG. 5

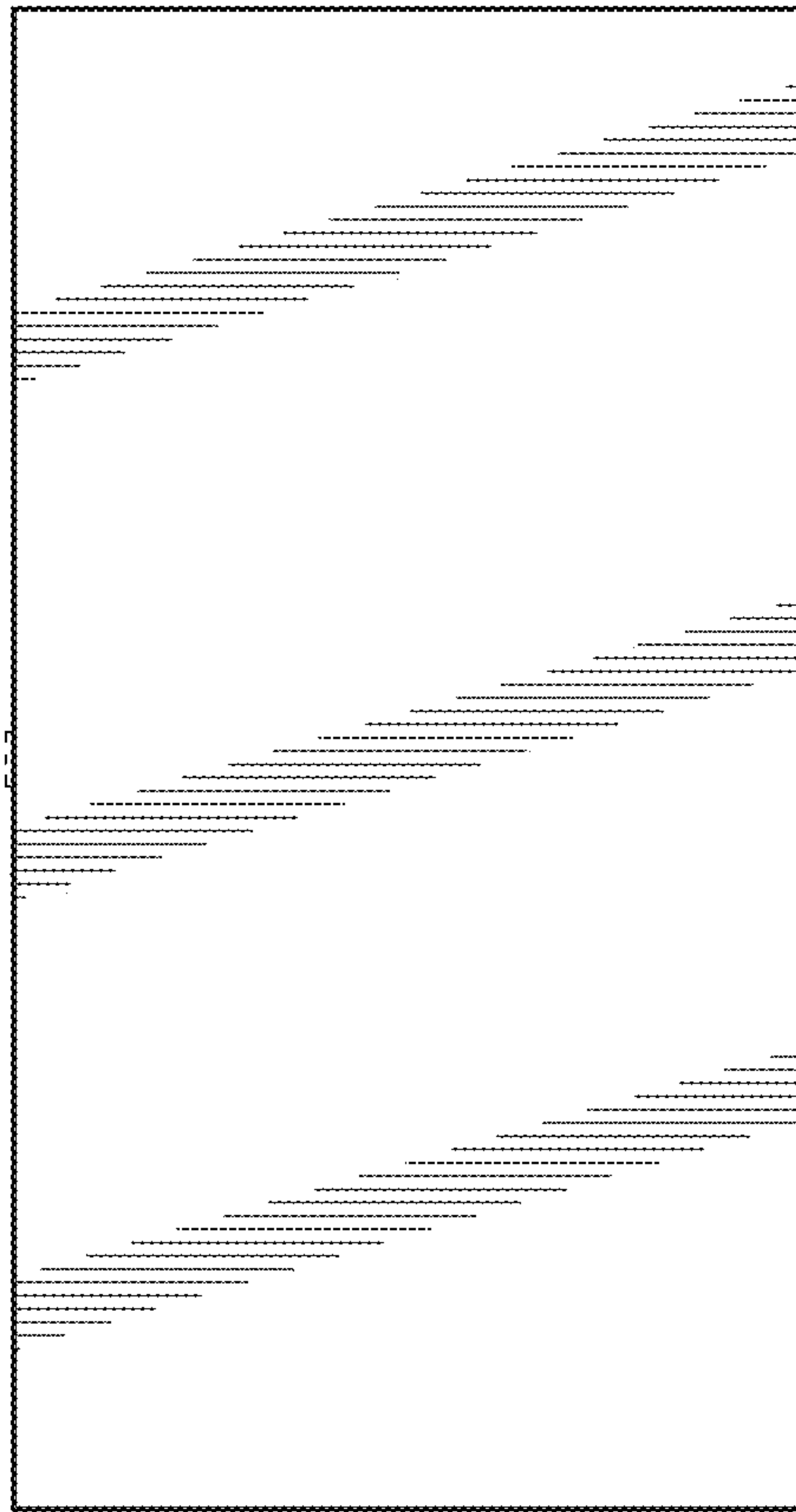


FIG. 4

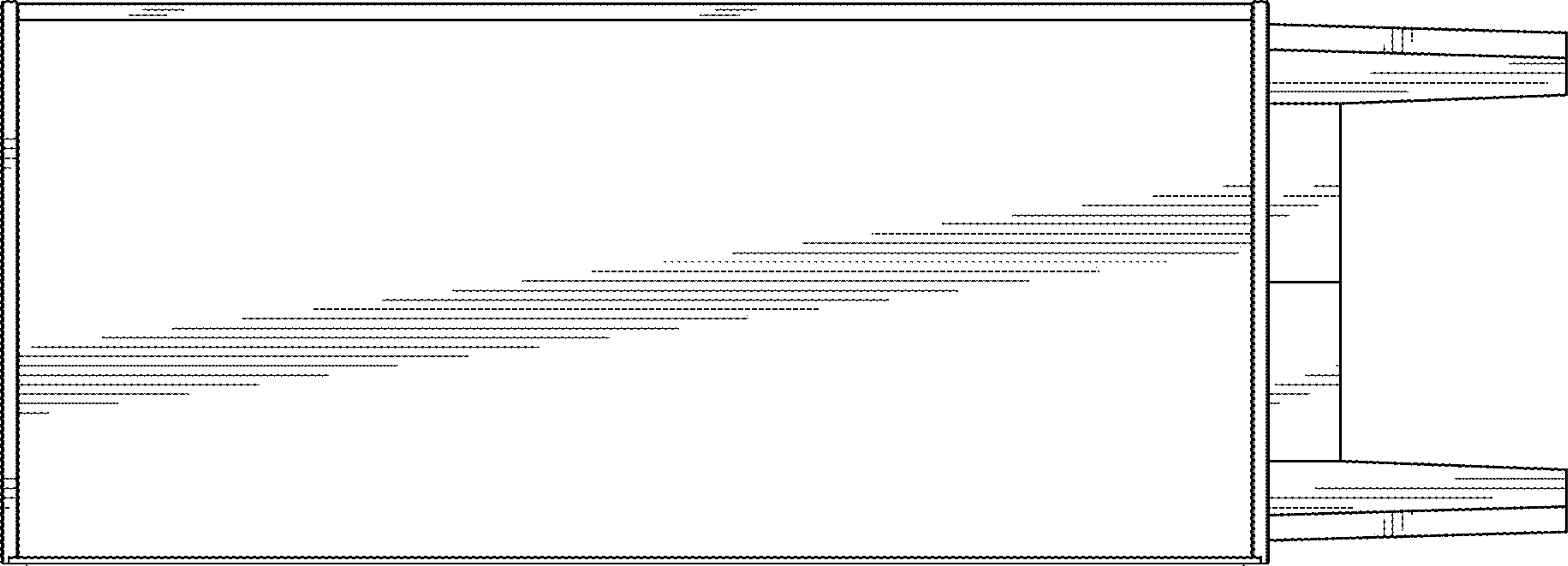


FIG. 7

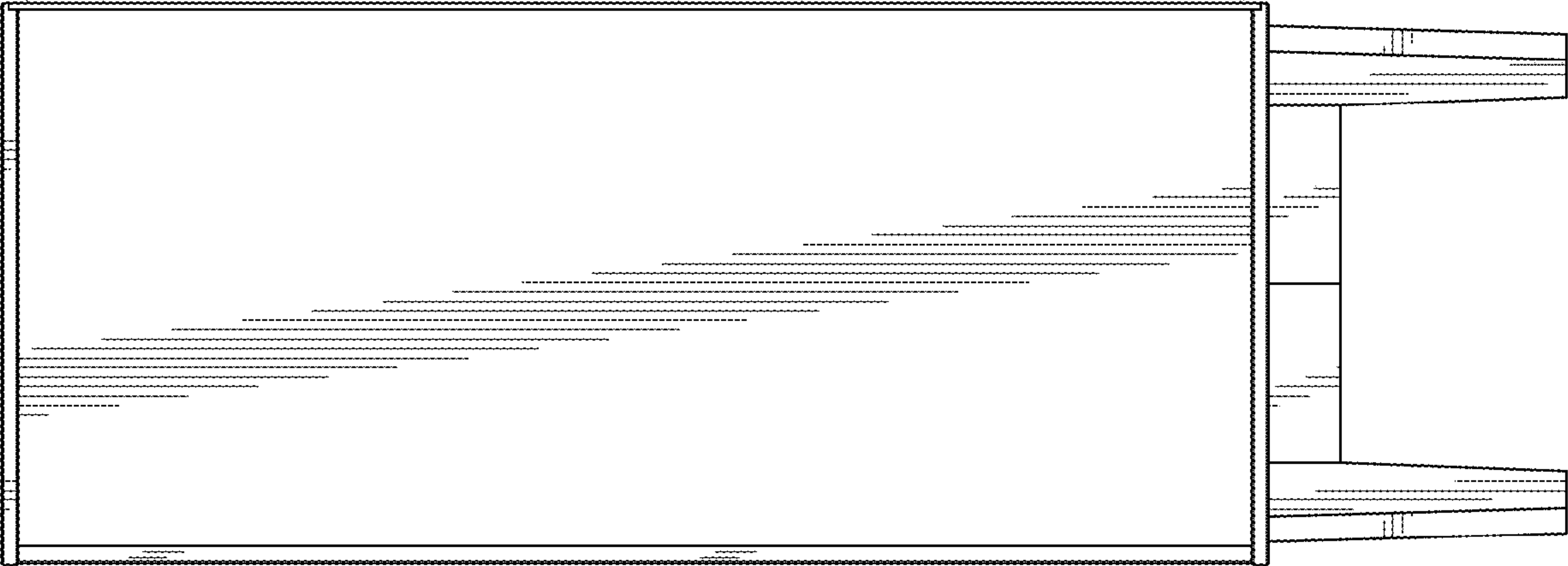


FIG. 6