



US00D935809S

(12) **United States Design Patent**
Corrado

(10) **Patent No.:** **US D935,809 S**

(45) **Date of Patent:** **** Nov. 16, 2021**

(54) **DRESSER**

(71) Applicant: **Blu Dot Design & Manufacturing, Inc.**, Minneapolis, MN (US)

(72) Inventor: **Colin Corrado**, Minneapolis, MN (US)

(73) Assignee: **Blu Dot Design & Manufacturing, Inc.**, Minneapolis, MN (US)

(**) Term: **15 Years**

(21) Appl. No.: **29/682,435**

(22) Filed: **Mar. 5, 2019**

(51) **LOC (13) Cl.** **06-04**

(52) **U.S. Cl.**
USPC **D6/671.1**

(58) **Field of Classification Search**
USPC D6/671.1, 657, 658, 661, 662, 662.1,
D6/663, 664, 666, 667, 668, 668.1, 671
CPC A47B 67/04; A47B 67/00; A47B 88/944
See application file for complete search history.

(56) **References Cited**

U.S. PATENT DOCUMENTS

D196,372 S *	9/1963	Mager	D6/671.1
D197,723 S *	3/1964	Mager	D6/671.1
D224,492 S *	8/1972	Inhelder	D6/671.1
D331,335 S *	12/1992	Zapf	D6/671.1
5,364,178 A *	11/1994	Hofman	A47B 47/02 312/263
8,740,319 B1 *	6/2014	Davis	E05B 65/462 312/216
D734,071 S *	7/2015	Zhao	D6/671.1
D770,815 S *	11/2016	Jackson	D6/671.1
D826,290 S *	8/2018	Kim	D15/79
D867,791 S *	11/2019	Birch	D6/671
D871,806 S *	1/2020	Young	D6/671

D905,481 S *	12/2020	Chen	D6/671.1
D913,729 S *	3/2021	Xiao	D6/671.1
2010/0123375 A1 *	5/2010	Romaen	E05B 65/462 312/215

OTHER PUBLICATIONS

“Blu Dot Superchoice Nightstand 3D Model.” Found online Jan. 15, 2021 at www.cgtrader.com. Image published Mar. 3, 2021. Retrieved from URL: <https://www.cgtrader.com/3d-models/furniture/cabinet/blu-dot-superchoice-nightstand> (Year: 2021).*

(Continued)

Primary Examiner — Mary Ann Calabrese
Assistant Examiner — Katelin G Kloberg
(74) *Attorney, Agent, or Firm* — Fredrikson & Byron, P.A.

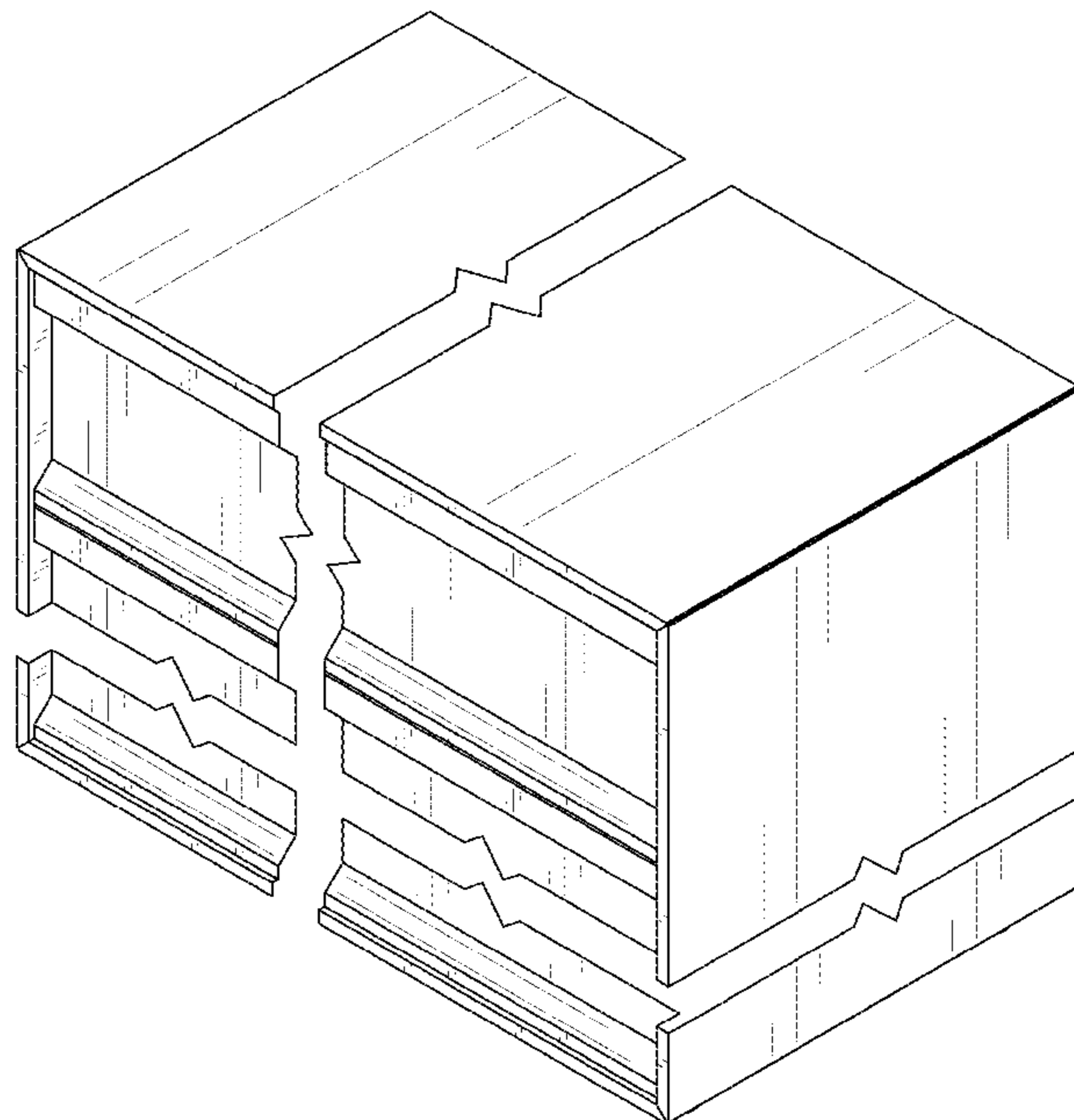
(57) **CLAIM**

The ornamental design for a dresser, as shown and described.

DESCRIPTION

FIG. 1 is a top, front, right side perspective view of a dresser, showing my new design;
FIG. 2 is a bottom, front, right side perspective view thereof;
FIG. 3 is a front elevation view thereof;
FIG. 4 is a rear elevation view thereof;
FIG. 5 is a right side elevation view thereof;
FIG. 6 is a left side view thereof;
FIG. 7 is a top plan view thereof; and,
FIG. 8 is a bottom plan view thereof.
The broken lines depict portions of the article that form no part of the claimed design.
The dresser is shown with symbolic breaks in its length, width, and height. The appearance of any portion of the article between the break lines forms no part of the claimed design.

1 Claim, 8 Drawing Sheets



(56)

References Cited

OTHER PUBLICATIONS

“Alera 2 Drawer Lateral File.” Found online Jul. 15, 2021 at www.amazon.com. Product first available Apr. 18, 2006. Retrieved from URL: <https://www.amazon.com/Alera-Lateral-Cabinet-36-Inch-29-Inch/dp/B00272N1Q4> (Year: 2006).*

“Sauder Harvey Park 4-Drawer Chest.” Found online Jul. 15, 2021 at www.amazon.com. Product first available Jan. 29, 2017. Retrieved from URL: <https://tinyurl.com/na4uwahf> (Year: 2017).*

“IKEA 2 Drawer Dresser Nightstand.” Found online Jul. 15, 2021 at www.amazon.com. Product first available May 12, 2016. Retrieved from URL: https://www.amazon.com/Ikea-Drawer-Dresser-Nightstand-white/dp/B01FL7JZ9S/ref=psdc_3733251_t2_B01FL7JZ9I (Year: 2016).*

Blu Dot Catalog No. 16, Designed in Minneapolis, Minnesota, published 2015, 44 pgs.

Blu Dot Catalog No. 17, Designed in Minneapolis, Minnesota, published 2015, 52 pgs.

Blu Dot Catalog No. 18, Designed in Minneapolis, Minnesota, published 2016, 51 pgs.

Blu Dot Catalog No. 19, Designed in Minneapolis, Minnesota, published 2016, 54 pgs.

Blu Dot Catalog No. 21, Cat 17F—Book A, Designed in Minneapolis, Minnesota, Applicant believes reference was published and available more than one year prior to the filing date of the instant application, 51 pgs.

Blu Dot Catalog No. 21, Cat 17F—Book B, Designed in Minneapolis, Minnesota, Applicant believes reference was published and available more than one year prior to the filing date of the instant application, 51 pgs.

Blu Dot Catalog No. 22, Cat 18S—Book B, Designed in Minneapolis, Minnesota, Applicant believes reference was published and available more than one year prior to the filing date of the instant application, 33 pgs.

Blu Dot Catalog No. 22, Cat18Sm_RGB, Designed in Minneapolis, Minnesota, Applicant believes reference was published and available more than one year prior to the filing date of the instant application, 33 pgs.

* cited by examiner

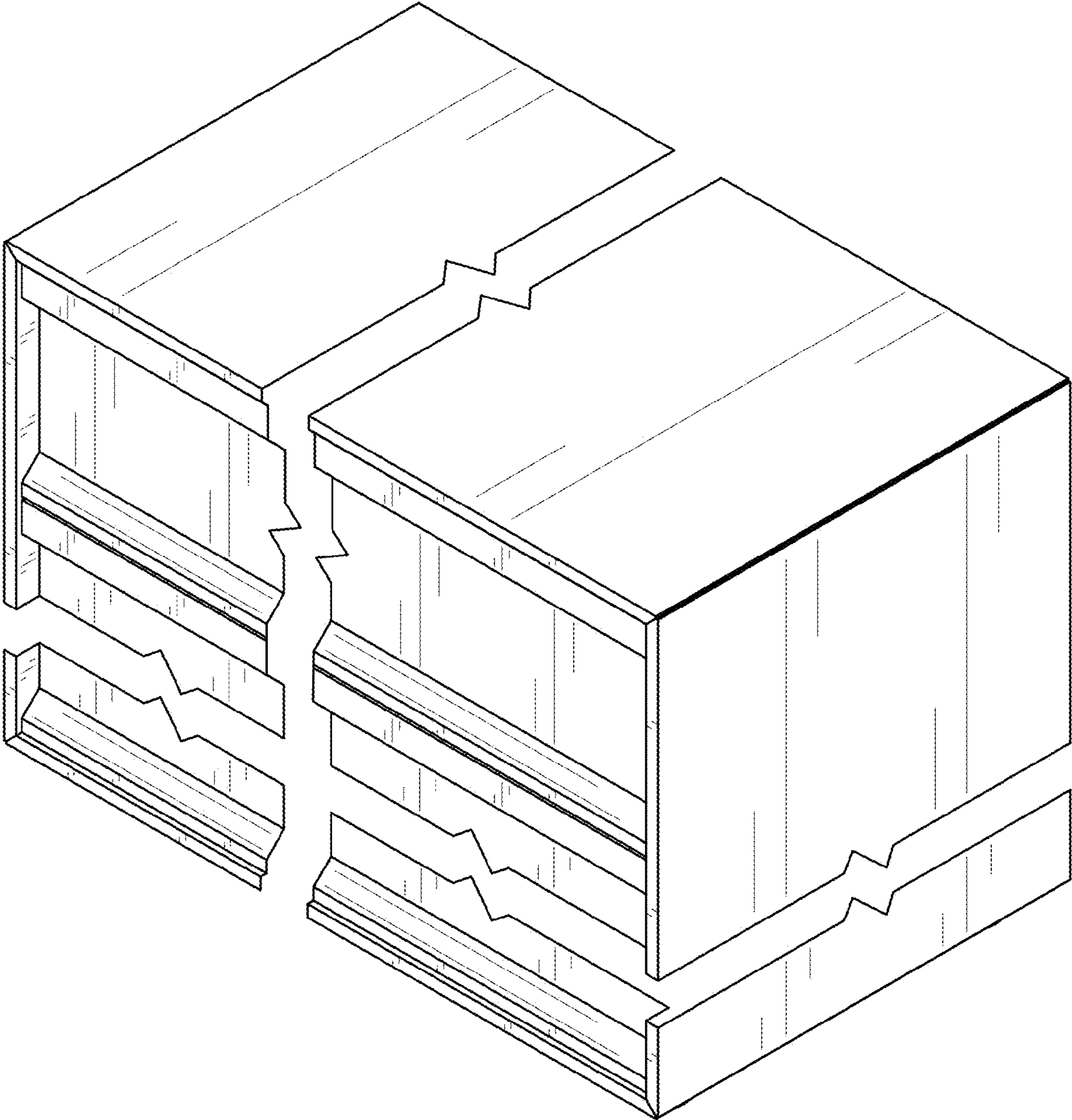


FIG. 1

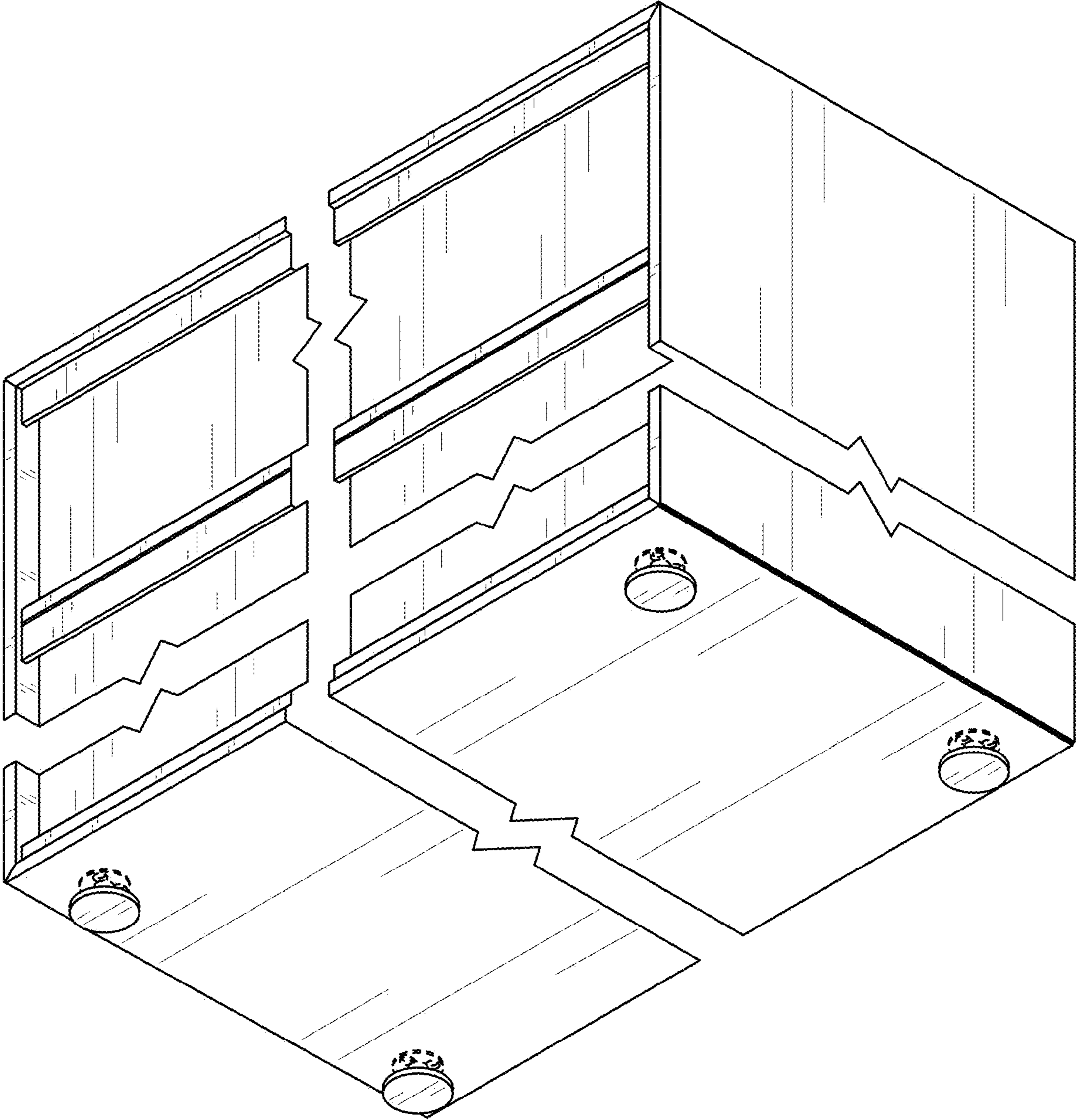


FIG. 2

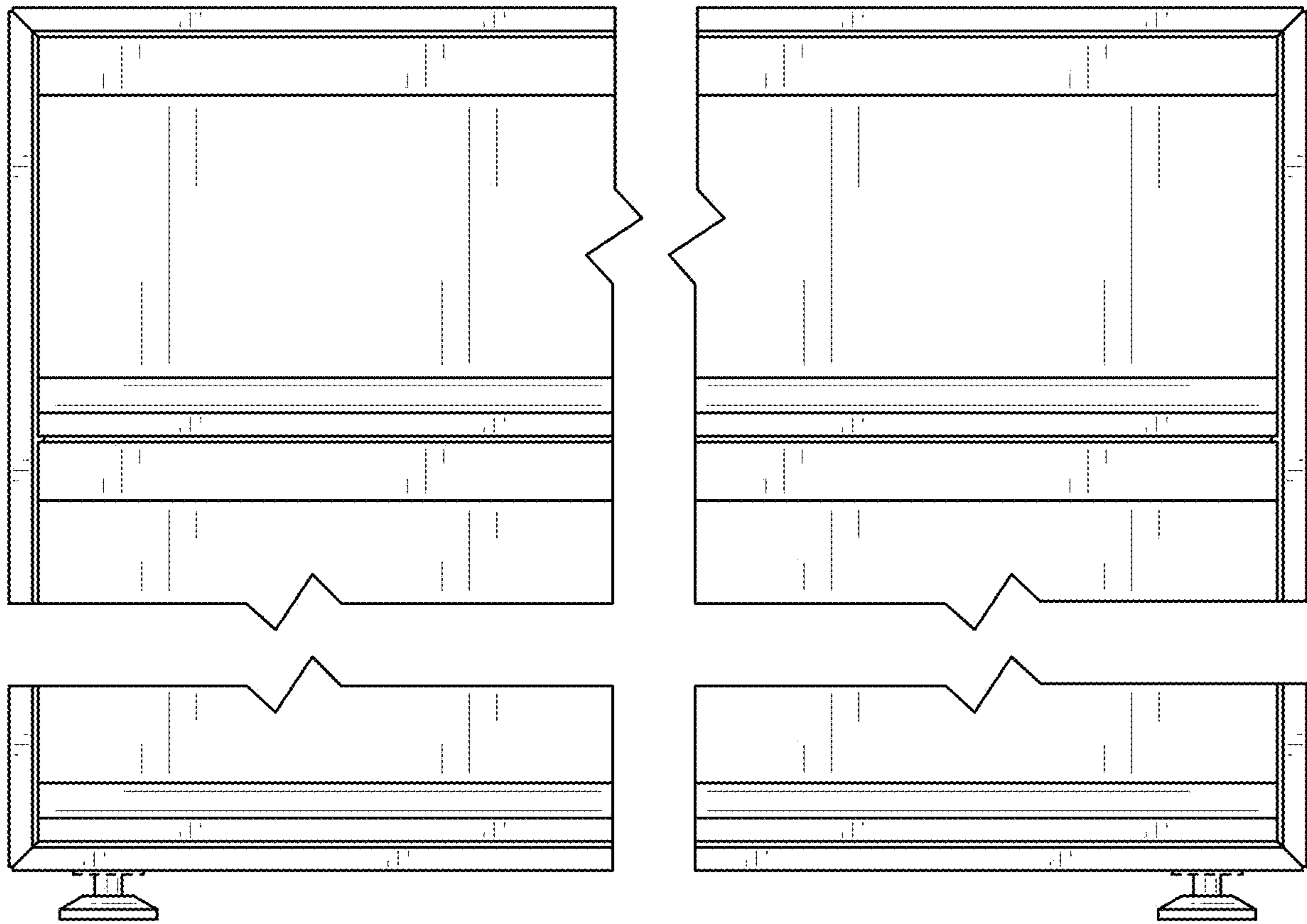


FIG. 3

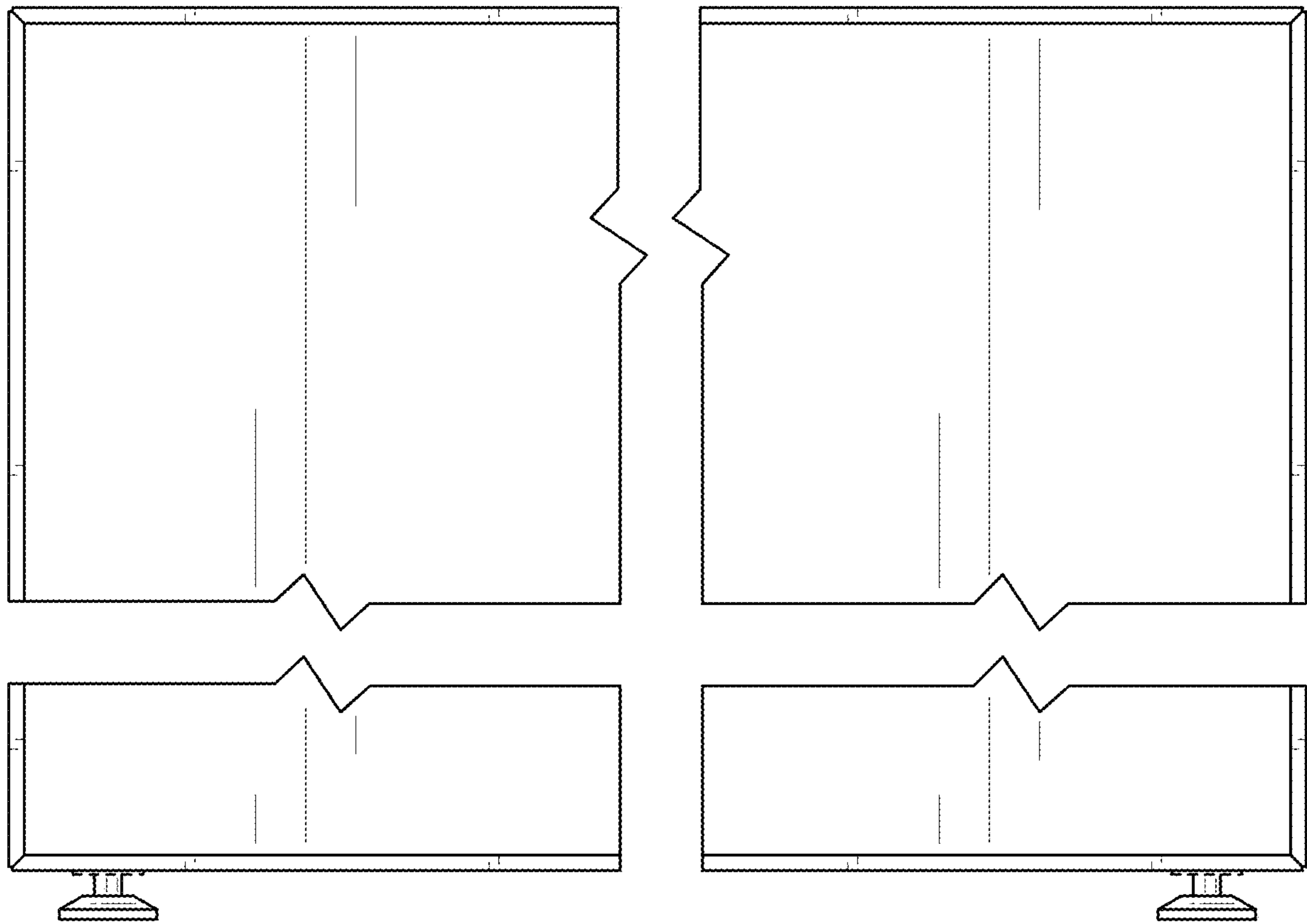


FIG. 4

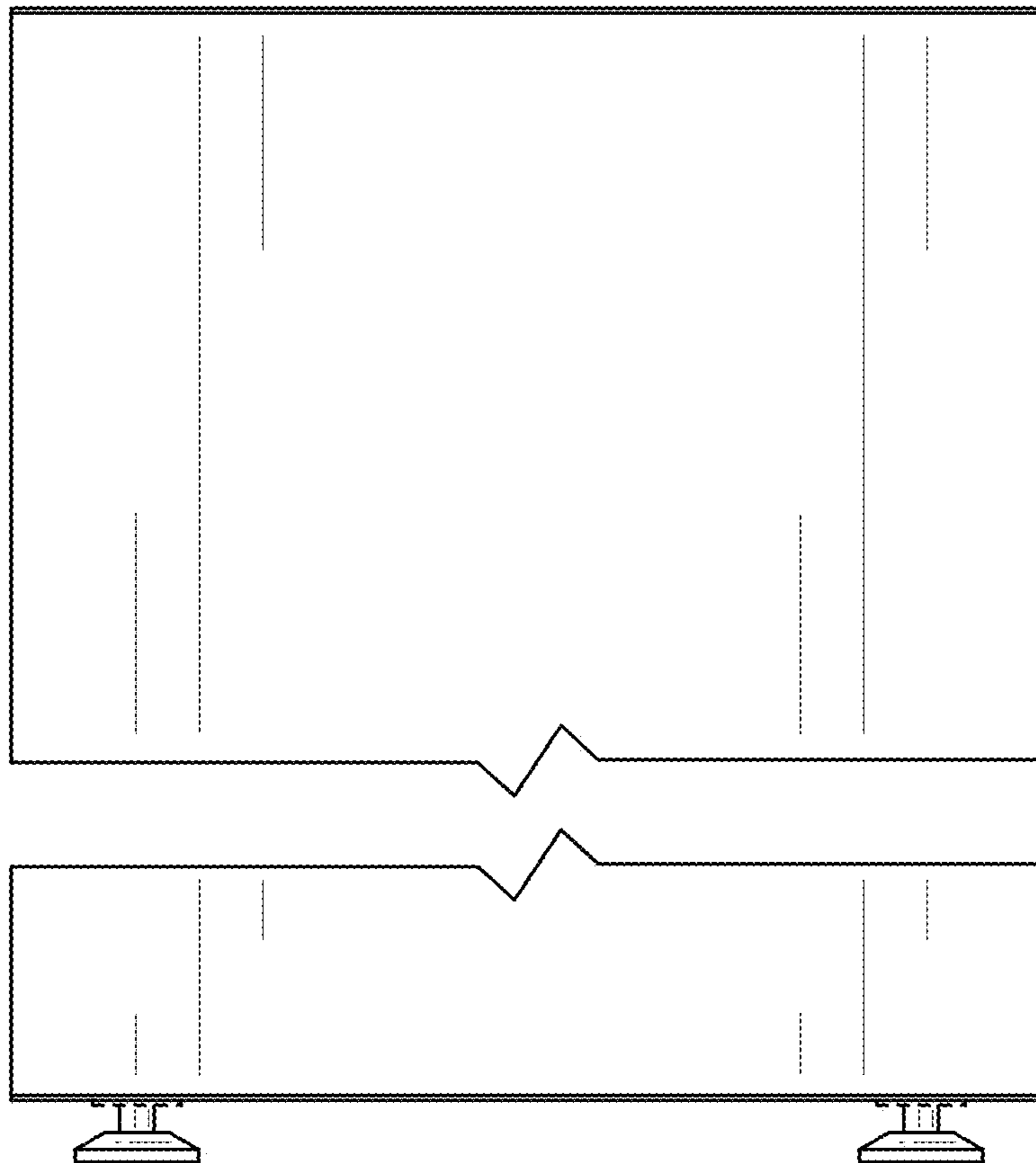


FIG. 5

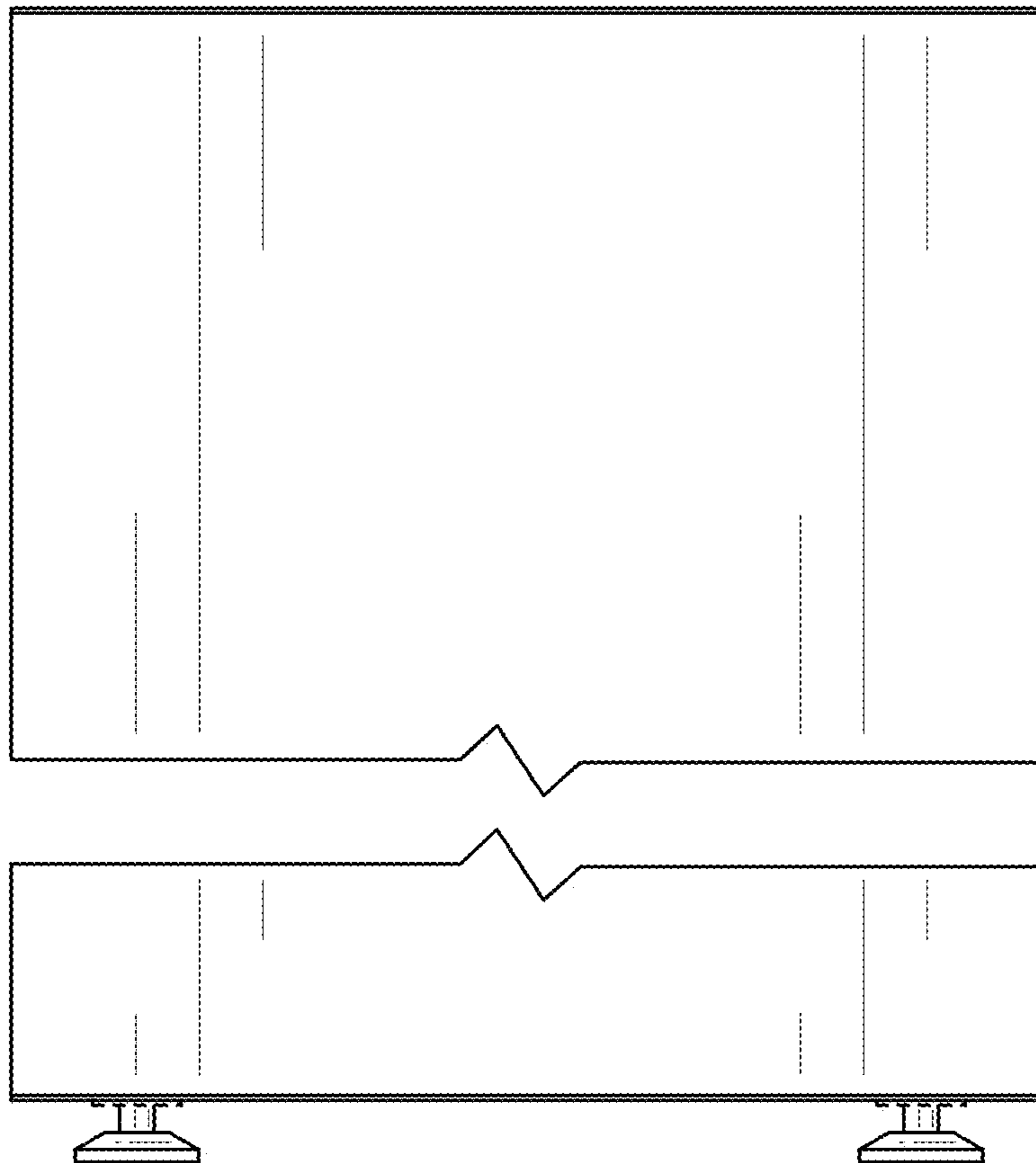


FIG. 6

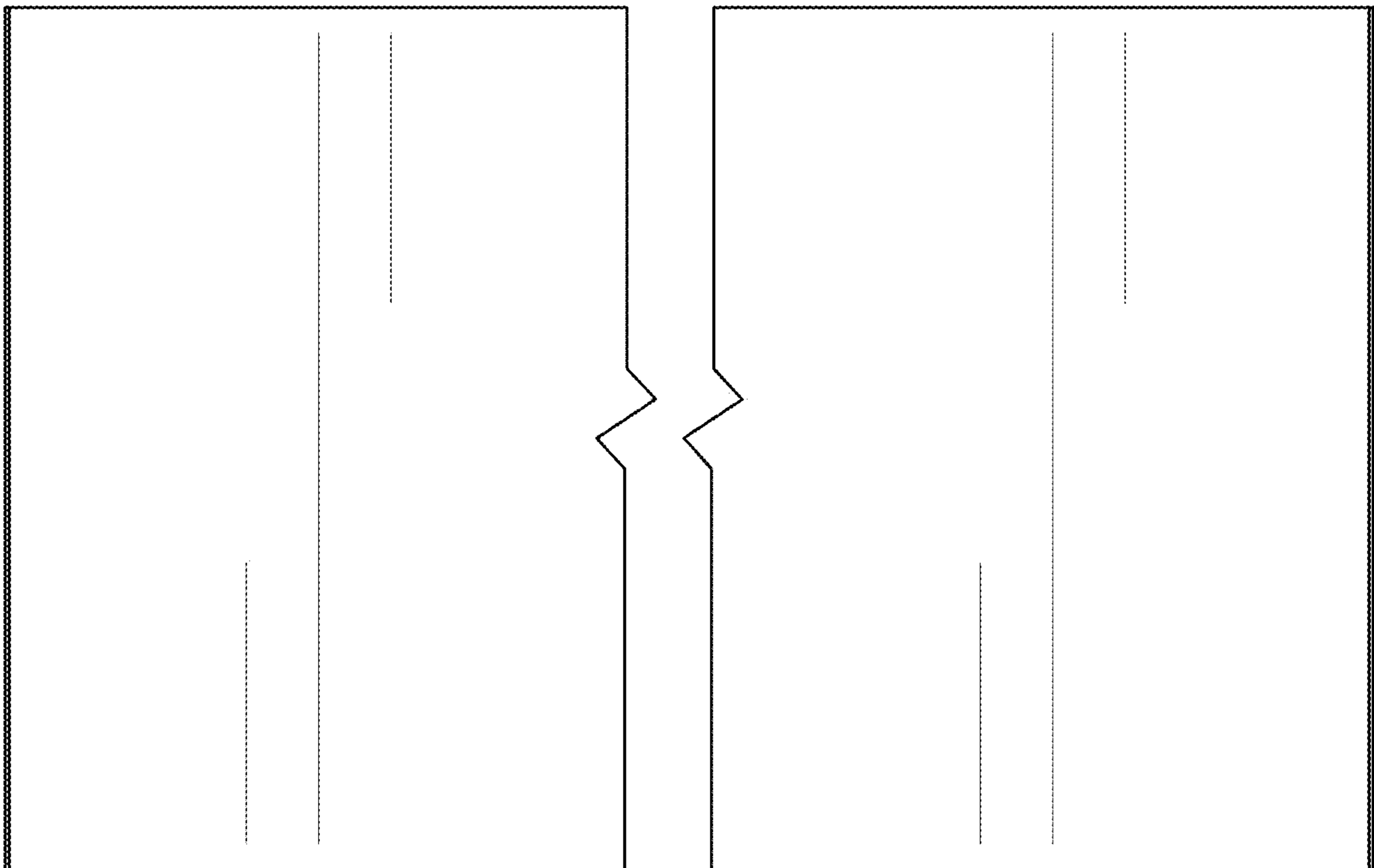


FIG. 7

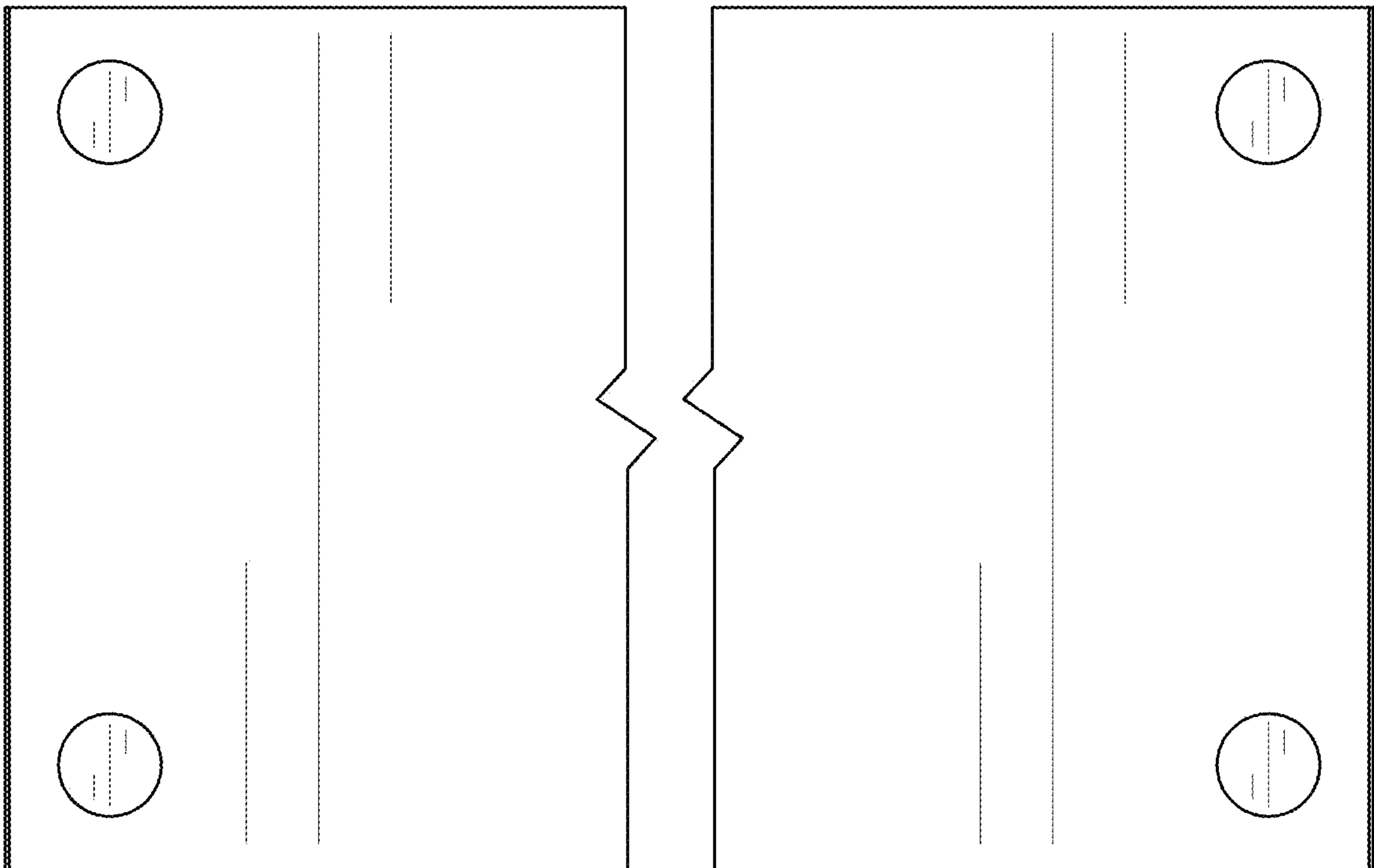


FIG. 8