



US00D935808S

(12) **United States Design Patent** (10) **Patent No.:** **US D935,808 S**
Yu (45) **Date of Patent:** **** Nov. 16, 2021**

(54) **DRESSING TABLE**

(71) Applicant: **Dan Yu**, Dongguan (CN)

(72) Inventor: **Dan Yu**, Dongguan (CN)

(**) Term: **15 Years**

(21) Appl. No.: **29/765,437**

(22) Filed: **Jan. 8, 2021**

(51) **LOC (13) Cl.** **06-04**

(52) **U.S. Cl.**
USPC **D6/664.1**

(58) **Field of Classification Search**
USPC D6/329, 641, 653, 653.1, 657, 664.1, D6/685, 686
CPC A47B 67/005; A47B 67/00; A47B 2220/0077; A47G 1/02; A47G 1/04; A47G 2200/08; A47G 1/0622; A47G 1/00
See application file for complete search history.

(56) **References Cited**

U.S. PATENT DOCUMENTS

D90,254 S	*	7/1933	McClure	D6/664.1
D101,782 S	*	11/1936	Krick	D6/664.1
D260,210 S	*	8/1981	Gibson	D6/686
D308,921 S	*	7/1990	Keller	D6/686
D416,712 S	*	11/1999	Chou	D6/664.1
D829,474 S		10/2018	Neri et al.		
D868,506 S	*	12/2019	Song	D6/664.1
D885,797 S		6/2020	Sumlin		
D891,153 S		7/2020	Sumlin		
D891,154 S		7/2020	Sumlin		
D891,824 S		8/2020	Sumlin		
D894,644 S		9/2020	Knox et al.		
D895,328 S		9/2020	Knox et al.		
D895,329 S		9/2020	Knox et al.		
D899,157 S		10/2020	Lok		
D899,824 S		10/2020	Lok		

OTHER PUBLICATIONS

“FUNKOCO Illuminated LED Touch Screen Dressing Table Set.”
Found online Apr. 15, 2021 at www.amazon.com. Product first

available Aug. 15, 2019. Retrieved from URL: https://www.amazon.com/Lighted-Dimming-Dressing-Cushioned-Bathroom/dp/B07WFWB817 (Year: 2019).*
“VIVOHOME 3-color Adjustable Illuminated Mirror Dressing Table Set.” Found online Apr. 15, 2021 at www.amazon.com. Product first available Aug. 5, 2020. Retrieved from URL: https://tinyurl.com/yjyfej5x (Year: 2020).*
“Amzdeal Lighted Mirror Vanity Set.” Found online Apr. 15, 2021 at www.amazon.com. Product first available Aug. 6, 2020. Retrieved from URL: https://tinyurl.com/2x6d2bu6 (Year: 2020).*
“M and W Round Mirror Makeup Table Set.” Found online Apr. 15, 2021 at www.amazon.com. Product first available Aug. 7, 2020. Retrieved from URL: https://tinyurl.com/yjh94ase (Year: 2020).*

* cited by examiner

Primary Examiner — Mary Ann Calabrese
Assistant Examiner — Katelin G Kloberg
(74) *Attorney, Agent, or Firm* — Rumit Ranjit Kanakia

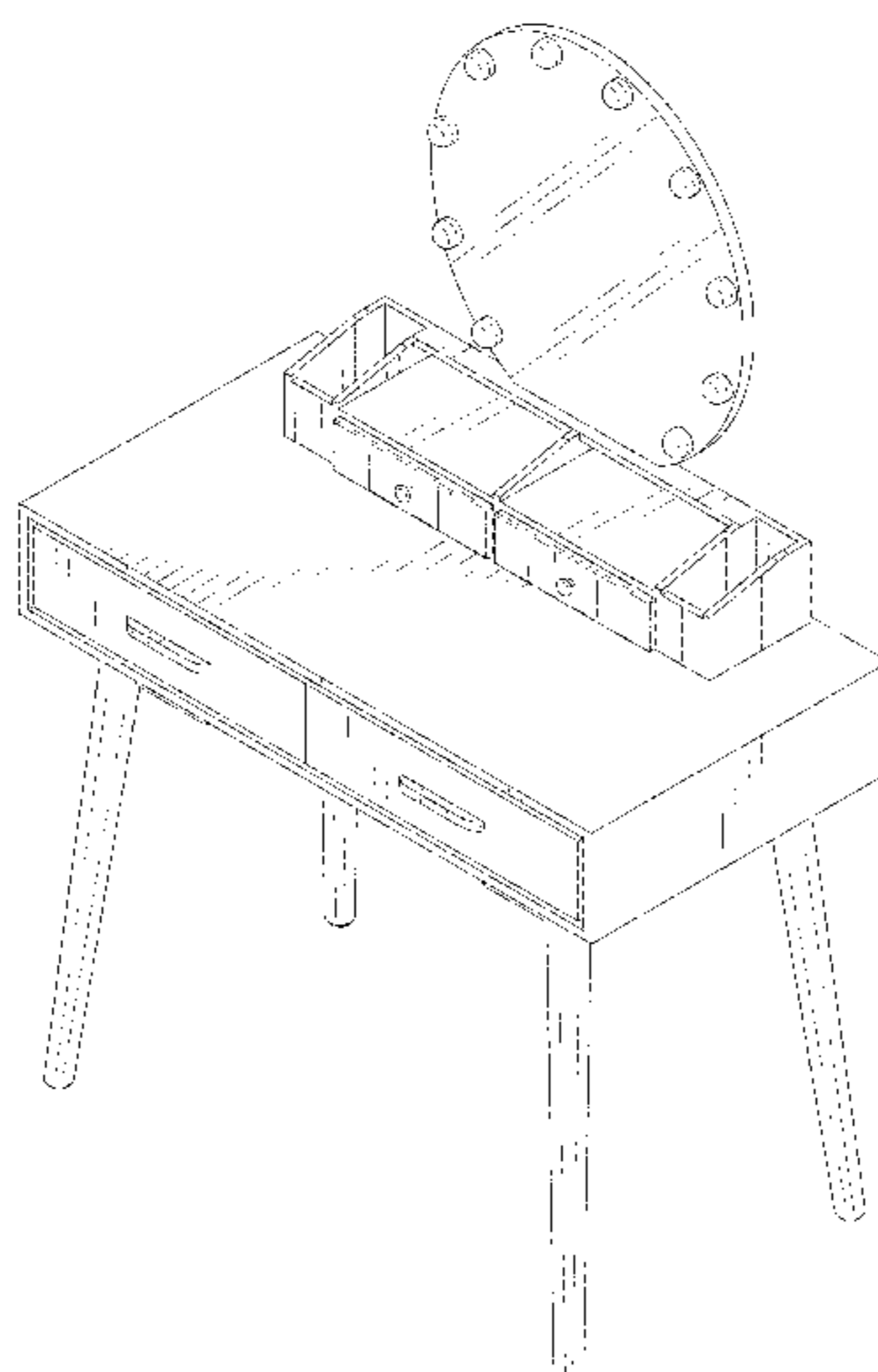
(57) **CLAIM**

The ornamental design for a dressing table, as shown and described.

DESCRIPTION

FIG. 1 is a front elevational view of a dressing table, showing my new design;
FIG. 2 is a rear elevational view thereof;
FIG. 3 is a left side view thereof;
FIG. 4 is a right side view thereof;
FIG. 5 is a top plan view thereof;
FIG. 6 is a bottom plan view thereof; and,
FIG. 7 is a perspective view thereof.
The broken lines in the figures are for the purposes of illustrating portions of the dressing table, which form no part of the claimed design.

1 Claim, 7 Drawing Sheets



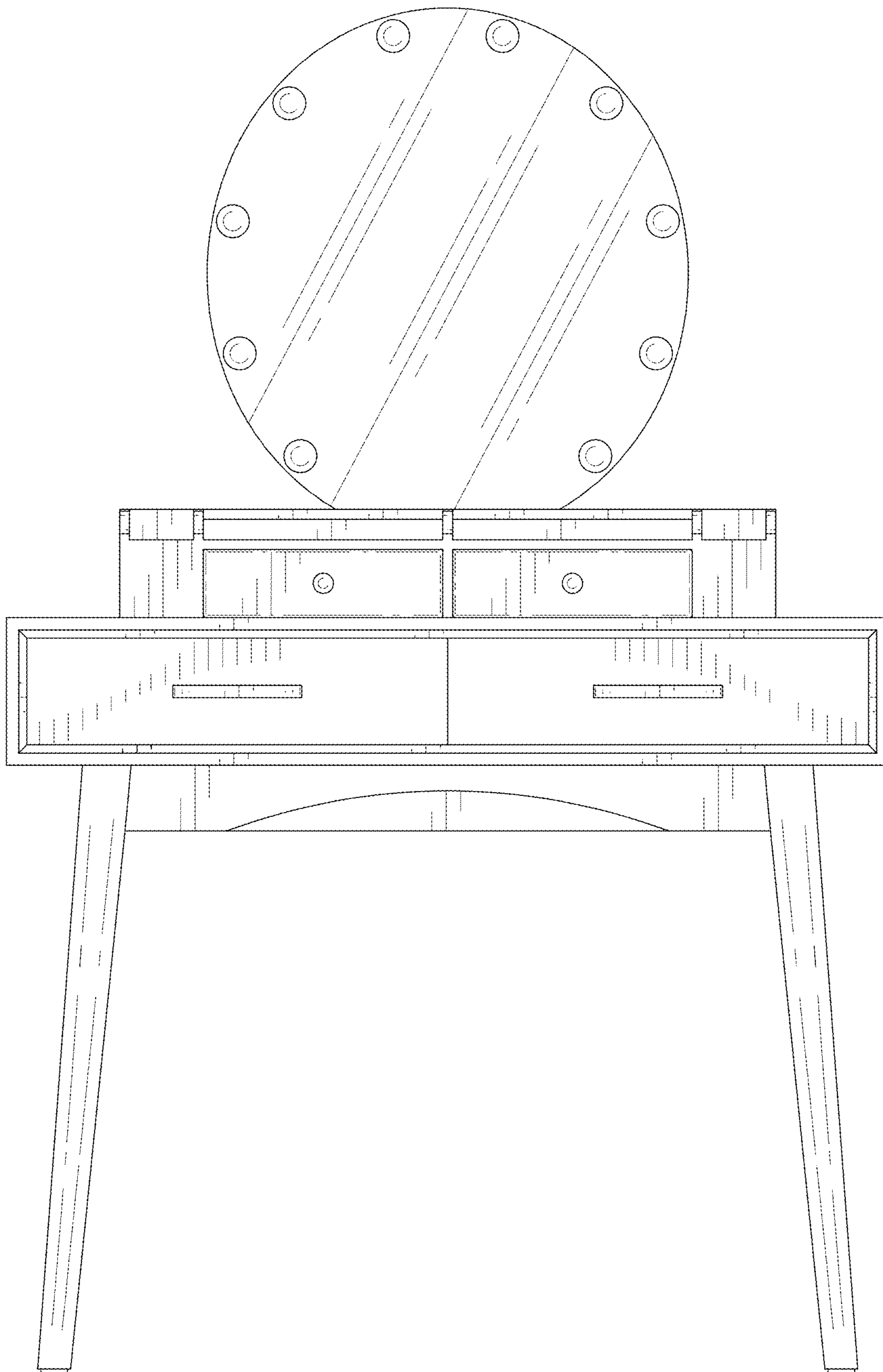


FIG. 1

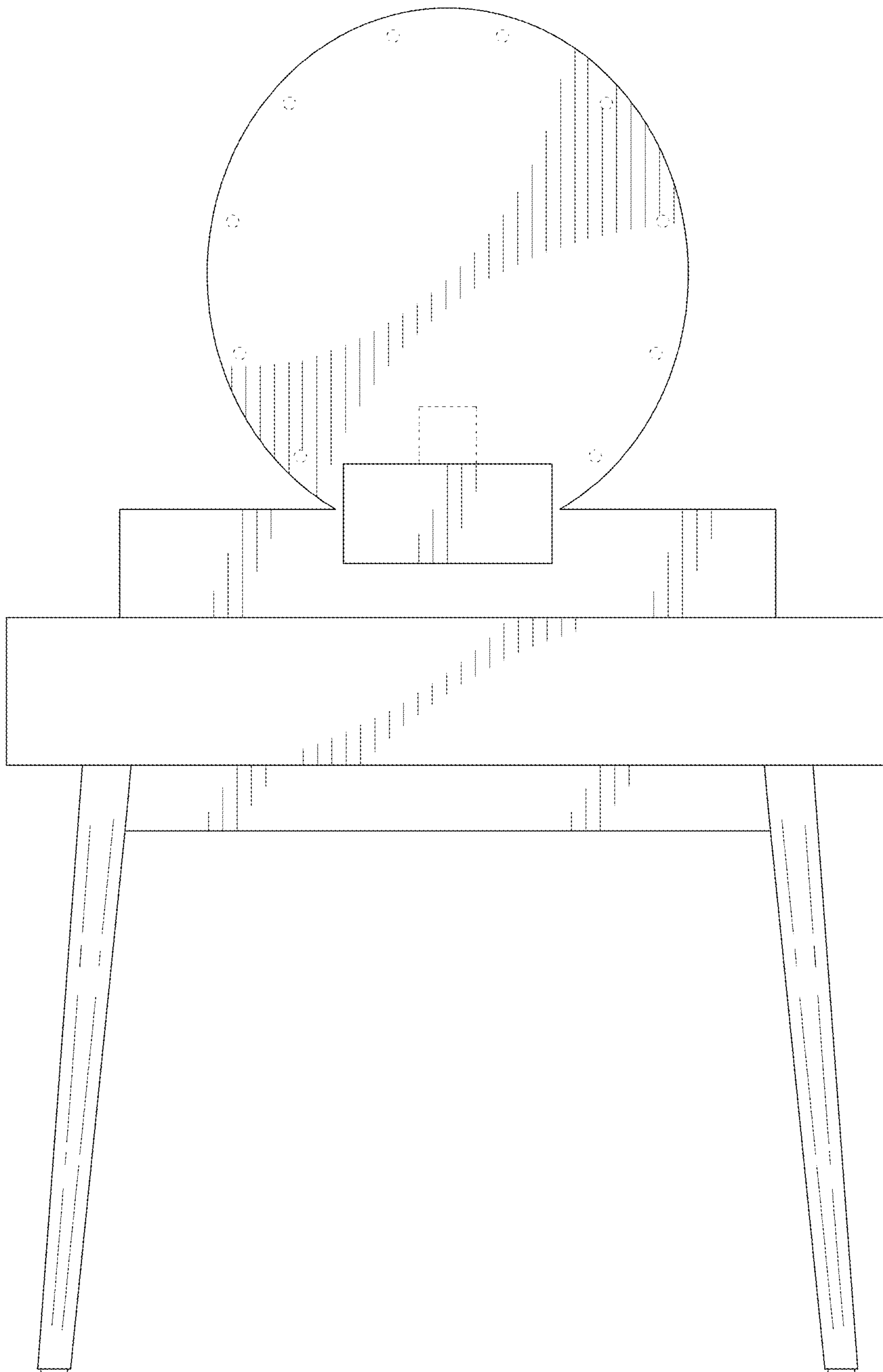


FIG. 2

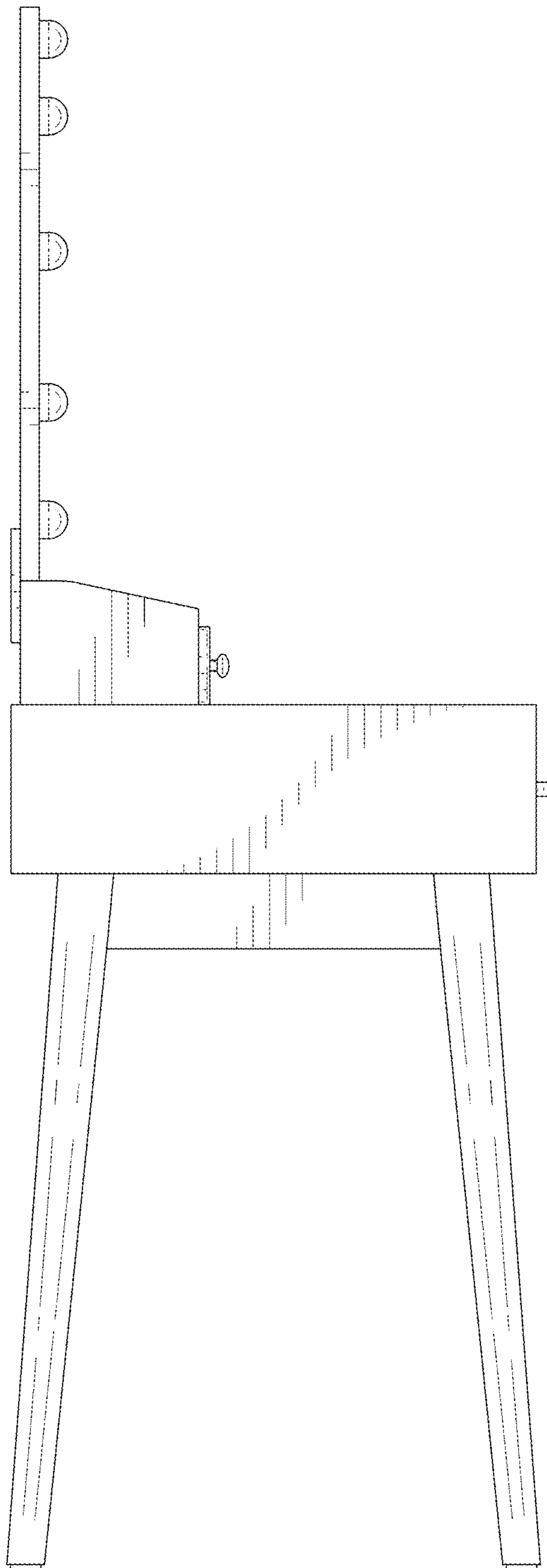


FIG. 3

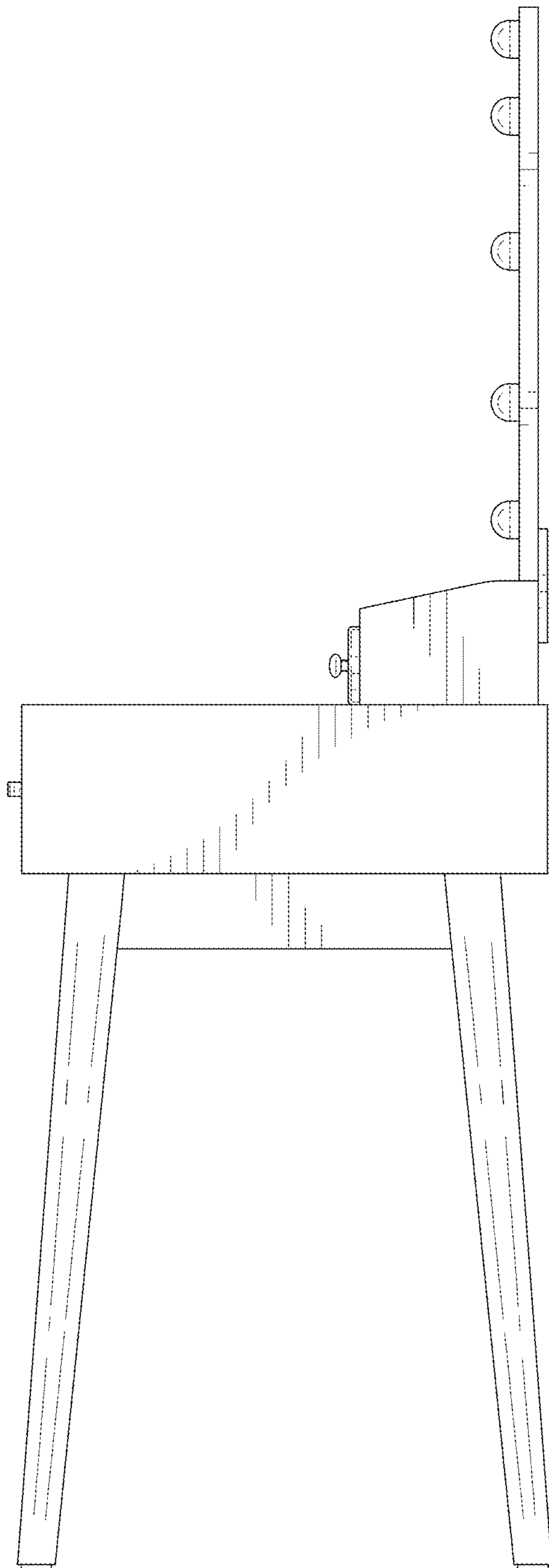


FIG. 4

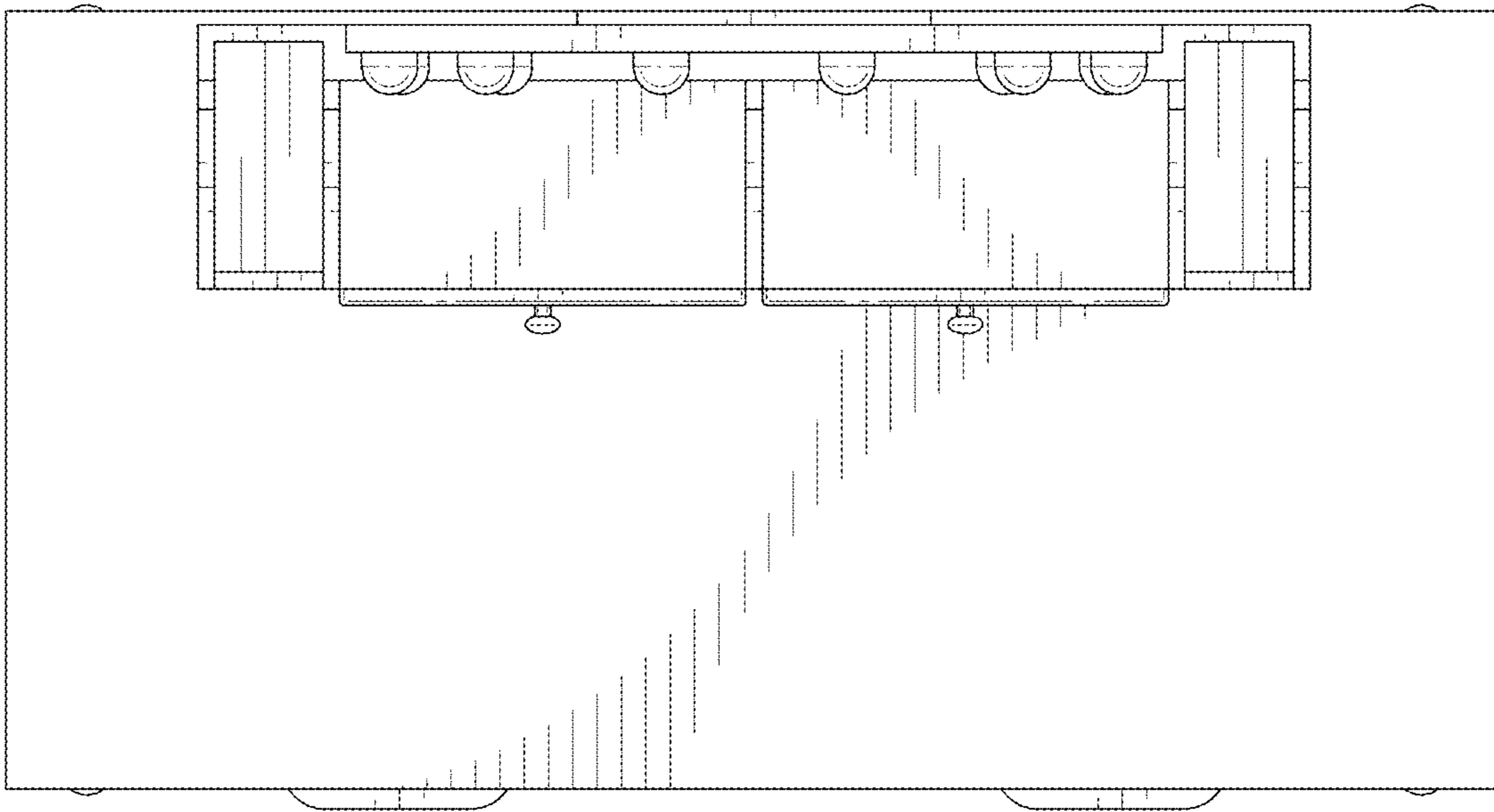


FIG. 5

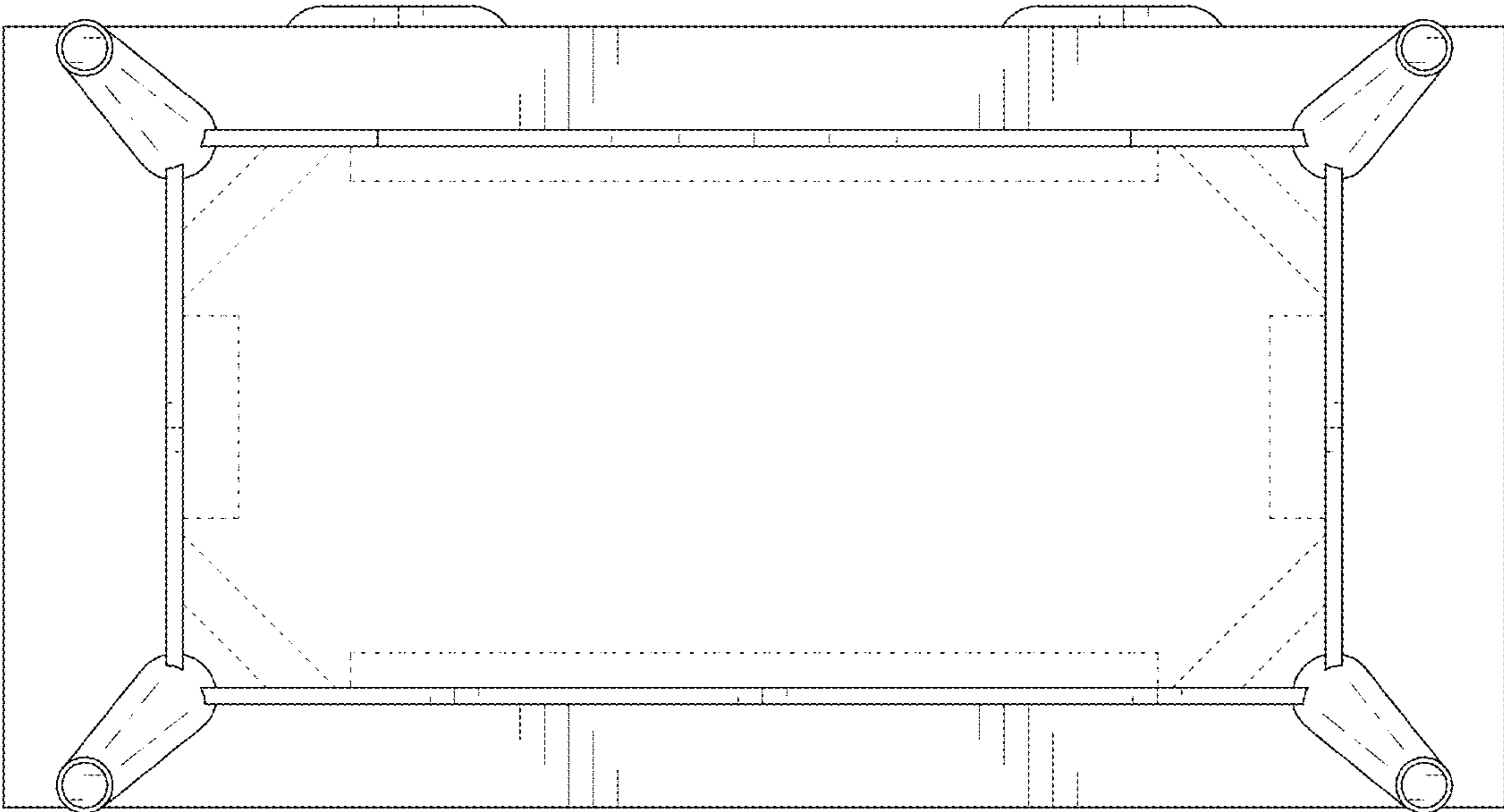


FIG. 6

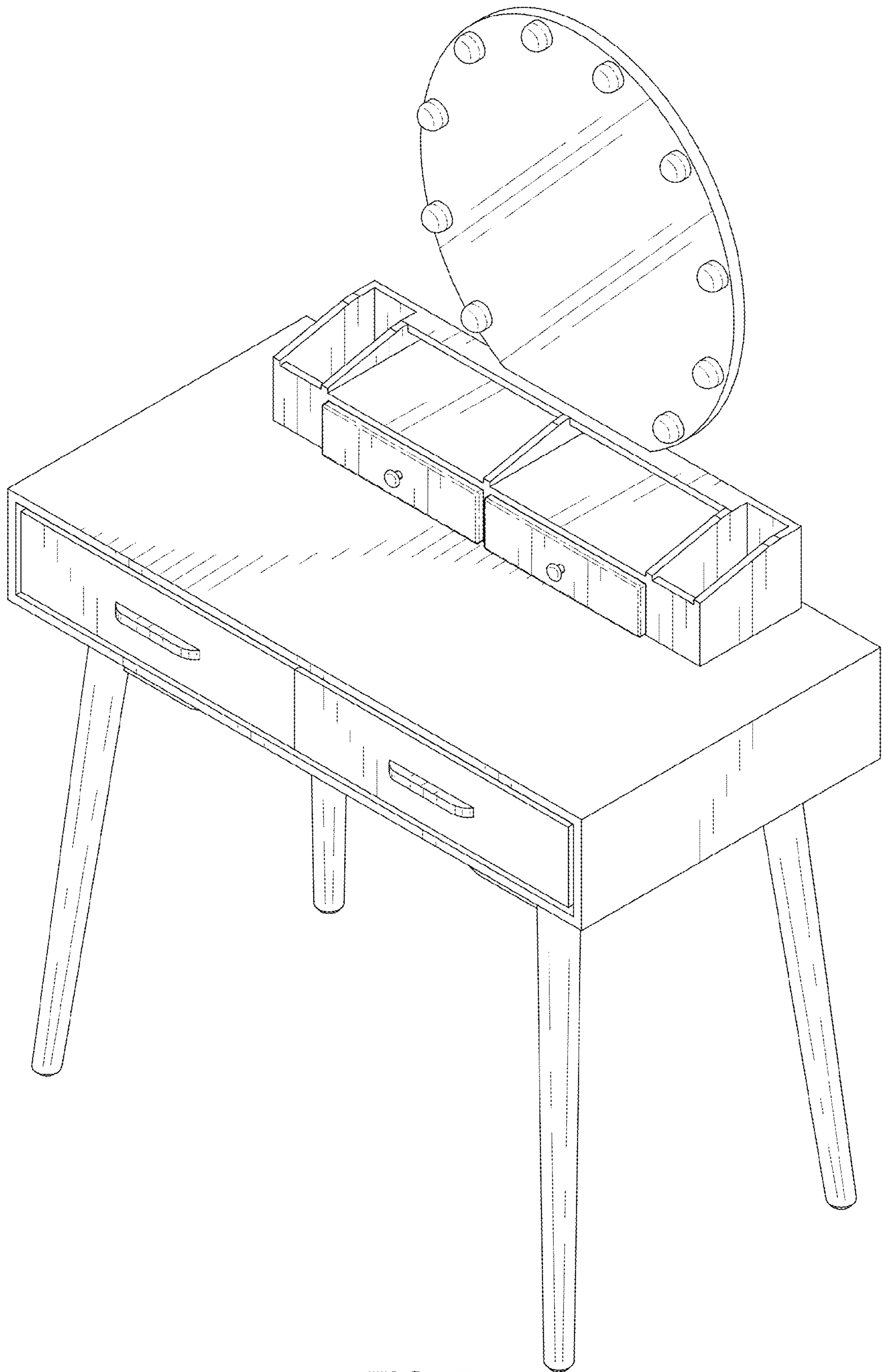


FIG. 7