



US00D935805S

(12) **United States Design Patent**  
**Zhou**

(10) **Patent No.:** **US D935,805 S**

(45) **Date of Patent:** **\*\* Nov. 16, 2021**

(54) **CUSHION**

(71) Applicant: **ShuWei Zhou**, Tongxiang (CN)

(72) Inventor: **ShuWei Zhou**, Tongxiang (CN)

(\*\*) Term: **15 Years**

(21) Appl. No.: **29/758,564**

(22) Filed: **Nov. 17, 2020**

(51) **LOC (13) Cl.** ..... **06-09**

(52) **U.S. Cl.**  
USPC ..... **D6/601**

(58) **Field of Classification Search**  
USPC ..... D6/333, 334, 335, 355, 356, 374, 716,  
D6/716.1, 595, 596, 601, 602, 603, 606,  
D6/607; 5/490, 491, 493, 494, 489;  
297/1, 2, 4, 93, 180.11, 195.1, 195.11,  
297/195.13, 393, 397, 452.12, 452.14,  
297/452.15, 452.21, 452.24, 452.26,  
297/452.48, 452.62, 482; D24/183-185,  
D24/191

CPC ..... A47G 9/10; A47G 9/1045; A47G 9/0253;  
A47G 2009/1018

See application file for complete search history.

(56) **References Cited**

**U.S. PATENT DOCUMENTS**

4,190,918	A *	3/1980	Harvell	.....	A47C 7/425
					5/653
D258,187	S *	2/1981	Robbins	.....	D6/596
D258,482	S *	3/1981	Strock	.....	5/653
D260,125	S *	8/1981	Rogers	.....	5/653
4,723,300	A *	2/1988	Aranow	.....	A45C 7/00
					190/1
4,843,662	A *	7/1989	Handelman	.....	A47C 7/021
					5/653
D304,524	S *	11/1989	McNeely	.....	D3/233
D306,543	S *	3/1990	Pestuglicci	.....	5/653
4,945,589	A *	8/1990	Carey	.....	A45C 9/00
					5/645

D316,352	S *	4/1991	Anson	.....	D6/596
D329,957	S *	10/1992	Hartnett	.....	5/653
D335,997	S *	6/1993	Castronovo	.....	D6/601
D338,587	S *	8/1993	Harnish	.....	D24/190
D340,814	S *	11/1993	Grant	.....	D6/368
D341,053	S *	11/1993	Hassel	.....	D24/190
D342,638	S *	12/1993	Harland	.....	5/653
D357,609	S *	4/1995	Webb	.....	5/653
D360,308	S *	7/1995	Smith	.....	D6/333
D366,383	S *	1/1996	Briegleb	.....	D6/601

(Continued)

**OTHER PUBLICATIONS**

Sumnacon Chair Increasing Cushion, early review date Oct. 22, 2017, [online], [site visited Sep. 27, 2020]. Available from Internet, <URL: [https://www.amazon.com/Sumnacon-Chair-Increasing-Cushion-Dismountable/dp/B088H9Z97X/ref=cm\\_cr\\_arp\\_d\\_product\\_top?ie=UTF8](https://www.amazon.com/Sumnacon-Chair-Increasing-Cushion-Dismountable/dp/B088H9Z97X/ref=cm_cr_arp_d_product_top?ie=UTF8)> (Year: 2017).\*

(Continued)

*Primary Examiner* — Sanjeev Paul

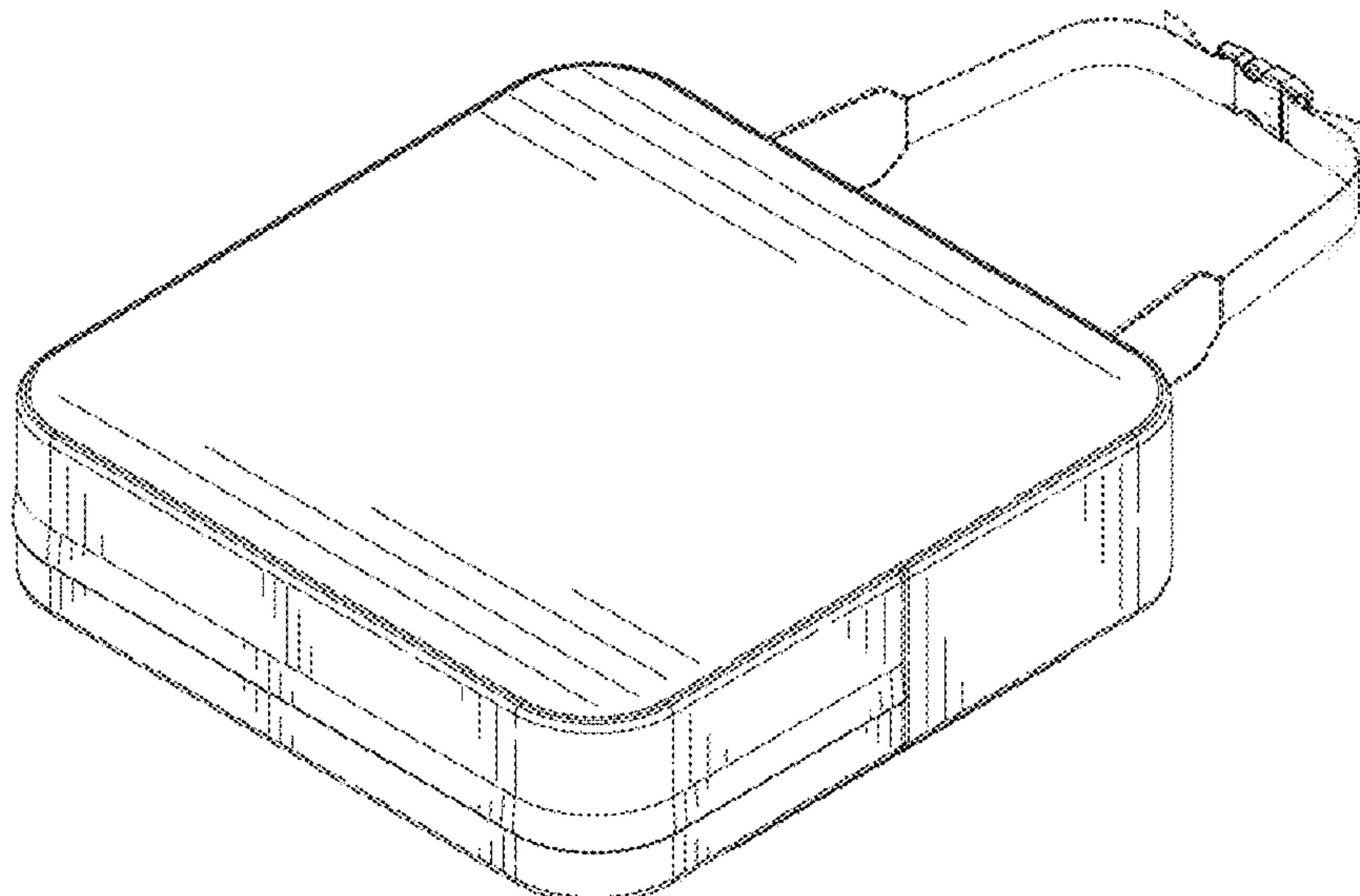
(57) **CLAIM**

The ornamental design for a cushion, as shown and described.

**DESCRIPTION**

FIG. 1 is a first perspective view of a cushion showing my new design;  
FIG. 2 is a second perspective view thereof;  
FIG. 3 is a front view thereof;  
FIG. 4 is a back view thereof;  
FIG. 5 is a left side view thereof;  
FIG. 6 is a right side view thereof;  
FIG. 7 is a top view thereof; and,  
FIG. 8 is a bottom view thereof.  
The broken lines shown in the drawings depict portions of the cushion in which the design is embodied that form no part of the claimed design.

**1 Claim, 8 Drawing Sheets**



(56)

References Cited

U.S. PATENT DOCUMENTS

D366,800 S \* 2/1996 Moore, Jr. .... D6/596  
 D376,946 S \* 12/1996 Maxim ..... D6/596  
 D379,047 S \* 5/1997 Richard ..... D6/368  
 D396,980 S \* 8/1998 Novros ..... D6/601  
 5,816,463 A \* 10/1998 Echeverri ..... A45C 15/00  
 224/584  
 D413,733 S \* 9/1999 Edmonds ..... D6/336  
 D416,718 S \* 11/1999 Chatman ..... D6/601  
 D417,984 S \* 12/1999 Sand ..... D6/368  
 D432,846 S \* 10/2000 Parker ..... D6/333  
 D468,573 S \* 1/2003 Friend ..... D6/601  
 D474,934 S \* 5/2003 Ildstad ..... D6/601  
 6,588,840 B1 \* 7/2003 Lombardo ..... A47C 1/16  
 297/188.08  
 D484,350 S \* 12/2003 Miller ..... D6/368  
 D492,875 S \* 7/2004 Su ..... D6/601  
 D503,867 S \* 4/2005 Bennette ..... D6/601  
 D553,884 S \* 10/2007 Faber ..... D6/601  
 D557,045 S \* 12/2007 Faber ..... D3/274  
 D584,012 S \* 12/2008 Abernathy ..... D30/118  
 D599,604 S 9/2009 Dorado et al.  
 D602,298 S \* 10/2009 Zwanzgleitner ..... D6/601  
 D604,084 S \* 11/2009 Gokhale ..... D6/601  
 D604,550 S 11/2009 Carter  
 D606,354 S 12/2009 Abolkheir  
 D616,238 S \* 5/2010 Sullivan ..... D6/601  
 D625,945 S \* 10/2010 Kratzer ..... D6/601  
 D628,423 S \* 12/2010 Kratzer ..... D6/601  
 D632,502 S \* 2/2011 Gillespie ..... D6/335  
 D634,951 S \* 3/2011 Dreiling ..... D6/716.1

D648,167 S \* 11/2011 Colon ..... D6/601  
 D717,503 S \* 11/2014 Diskin ..... D30/118  
 D725,925 S \* 4/2015 Kaye ..... D6/349  
 D734,962 S \* 7/2015 Kale ..... D6/611  
 D769,028 S \* 10/2016 Little ..... D6/601  
 D769,451 S \* 10/2016 MacMillan ..... D24/190  
 D817,663 S \* 5/2018 Hicks ..... D6/601  
 2006/0022499 A1 \* 2/2006 Jones ..... A47C 1/16  
 297/352  
 2006/0059628 A1 \* 3/2006 Hamilton ..... A47C 7/021  
 5/653  
 2009/0079244 A1 \* 3/2009 Kelleher ..... A47C 1/16  
 297/257  
 2013/0254999 A1 \* 10/2013 Foch ..... A47G 9/1045  
 5/639  
 2016/0000226 A1 \* 1/2016 Sanza Pilas ..... A47C 4/283  
 297/4  
 2016/0100689 A1 \* 4/2016 Wang ..... A47C 7/021  
 5/653  
 2020/0221888 A1 \* 7/2020 Cable ..... A45F 3/005  
 2021/0127867 A1 \* 5/2021 Lee ..... A47C 16/00

OTHER PUBLICATIONS

Google search: "square cushion" [site visited May 15, 2021]:  
[https://www.google.com/search?q=square+cushion&sxsrf=ALeKk027Uz\\_G2VmJuphoJj6OJfYtnbbDmA:1621641815860&source=lnms&tbm=isch&sa=X&ved=2ahUKEwiZ8ovD\\_tvwAhX-KVkfHe6-ARsQ\\_AUoAnoECAsQBA&biw=1200&bih=1777](https://www.google.com/search?q=square+cushion&sxsrf=ALeKk027Uz_G2VmJuphoJj6OJfYtnbbDmA:1621641815860&source=lnms&tbm=isch&sa=X&ved=2ahUKEwiZ8ovD_tvwAhX-KVkfHe6-ARsQ_AUoAnoECAsQBA&biw=1200&bih=1777) (Year: 2021).\*

\* cited by examiner

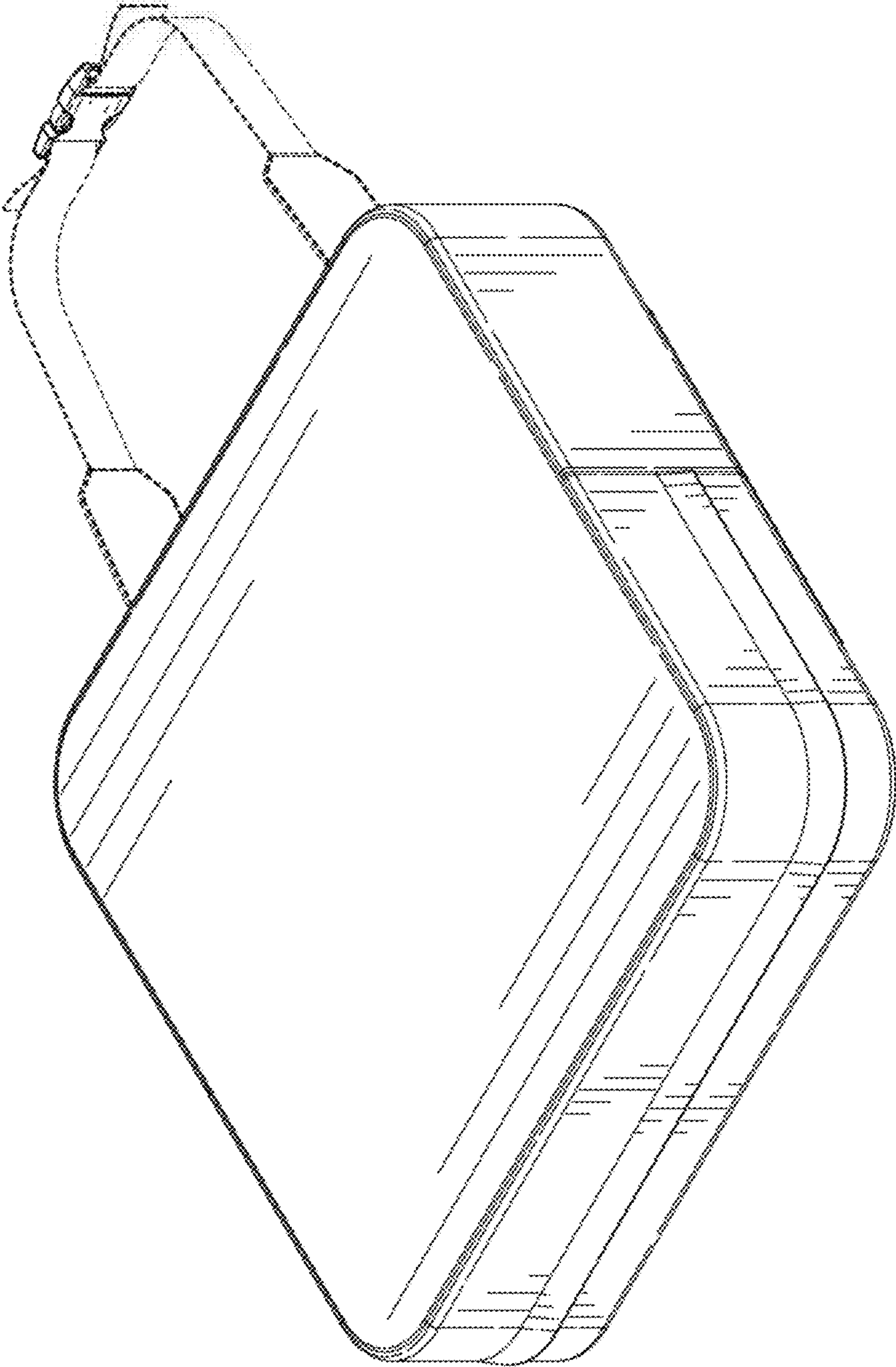


FIG. 1



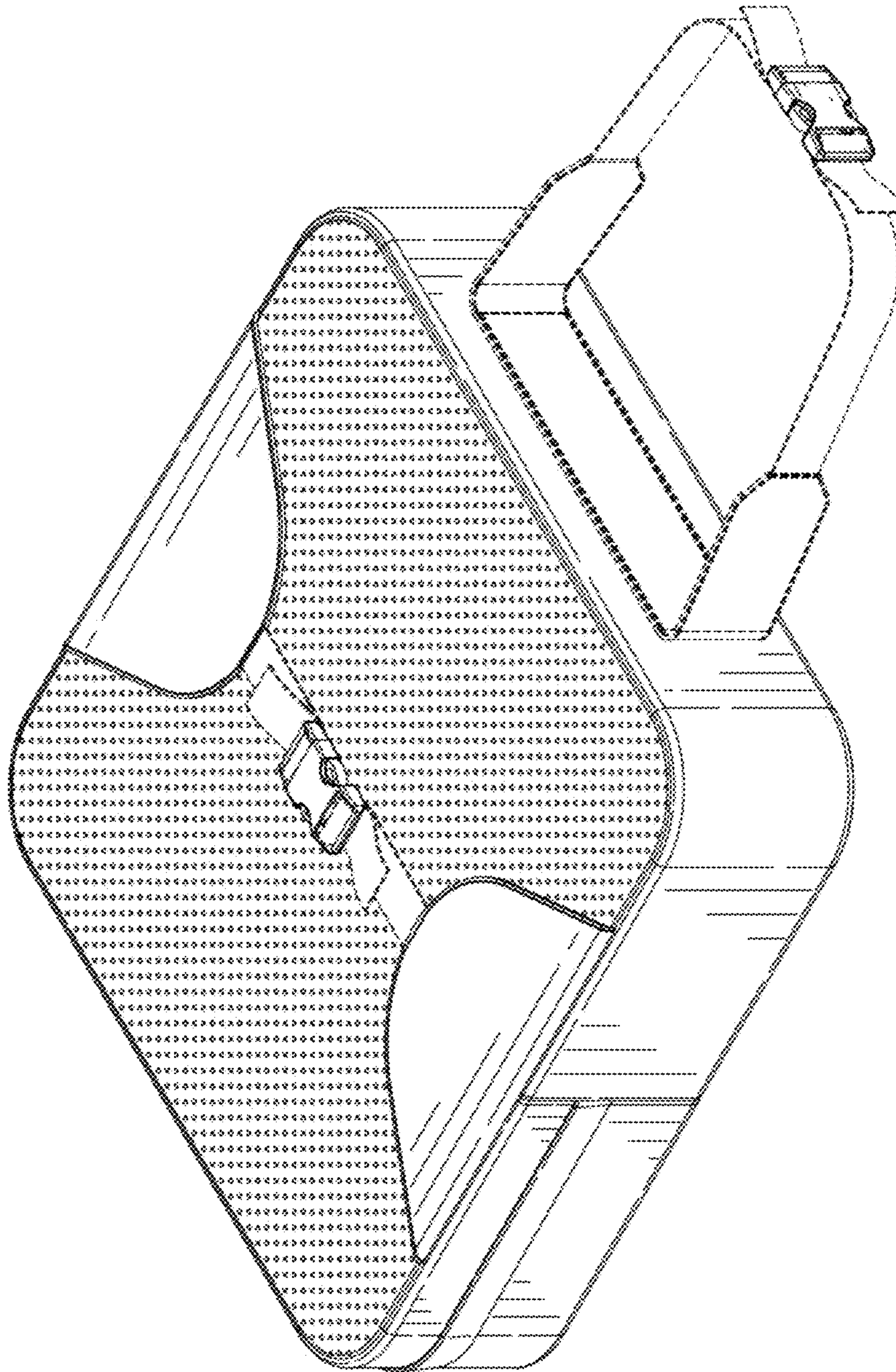


FIG. 2



FIG. 3



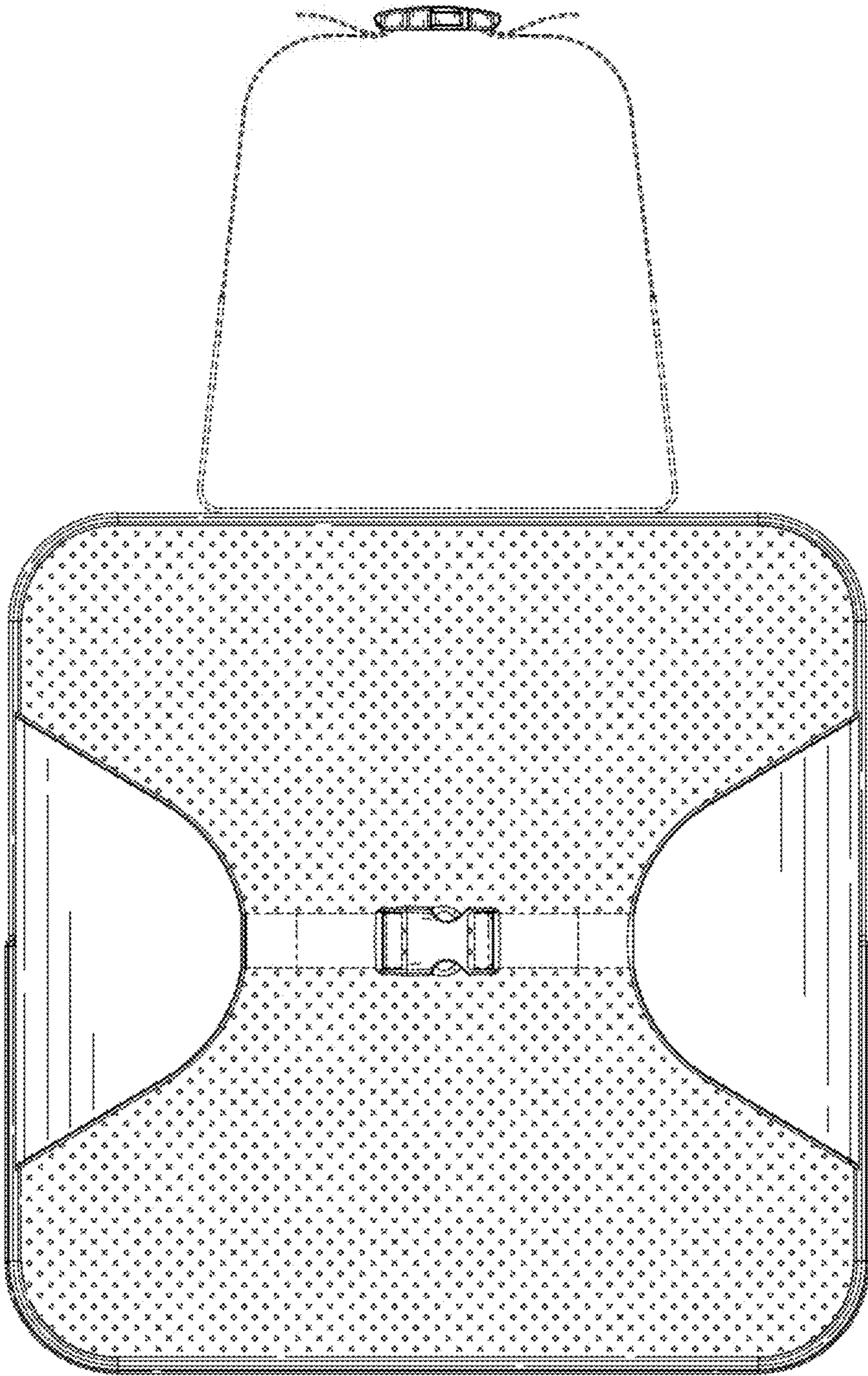


FIG. 4

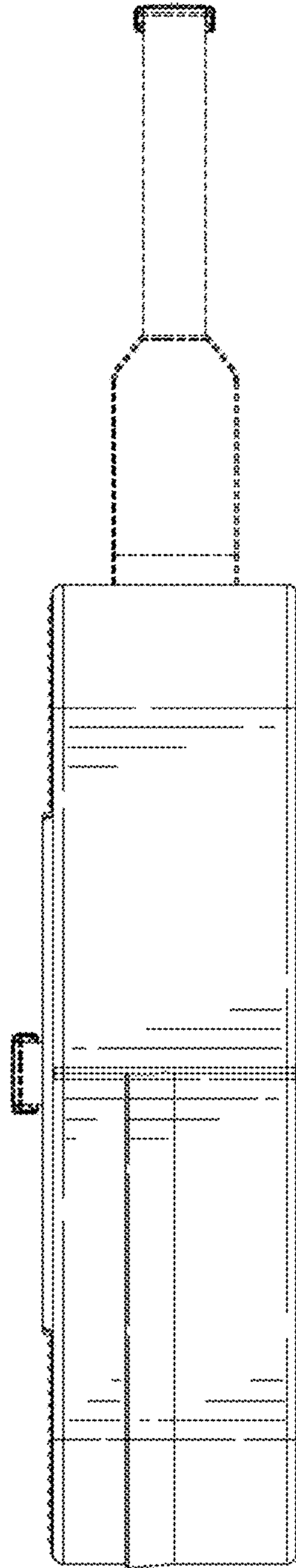


FIG. 5

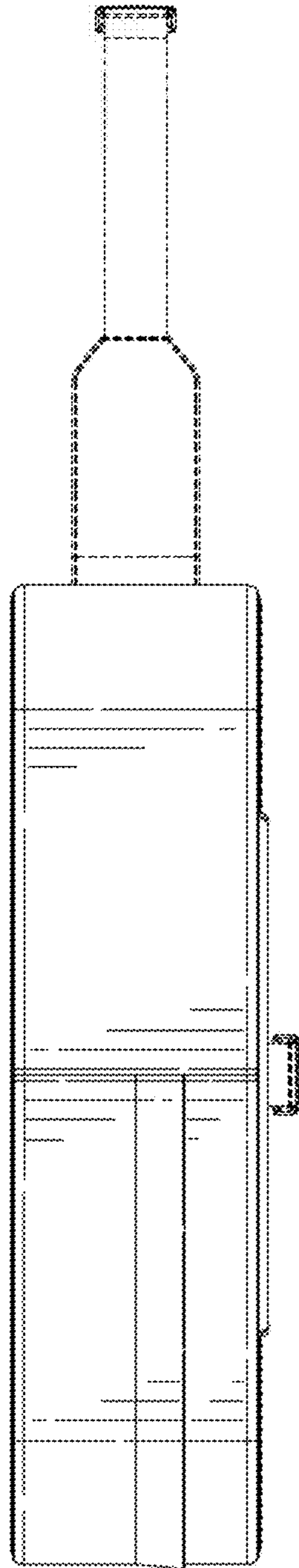


FIG. 6



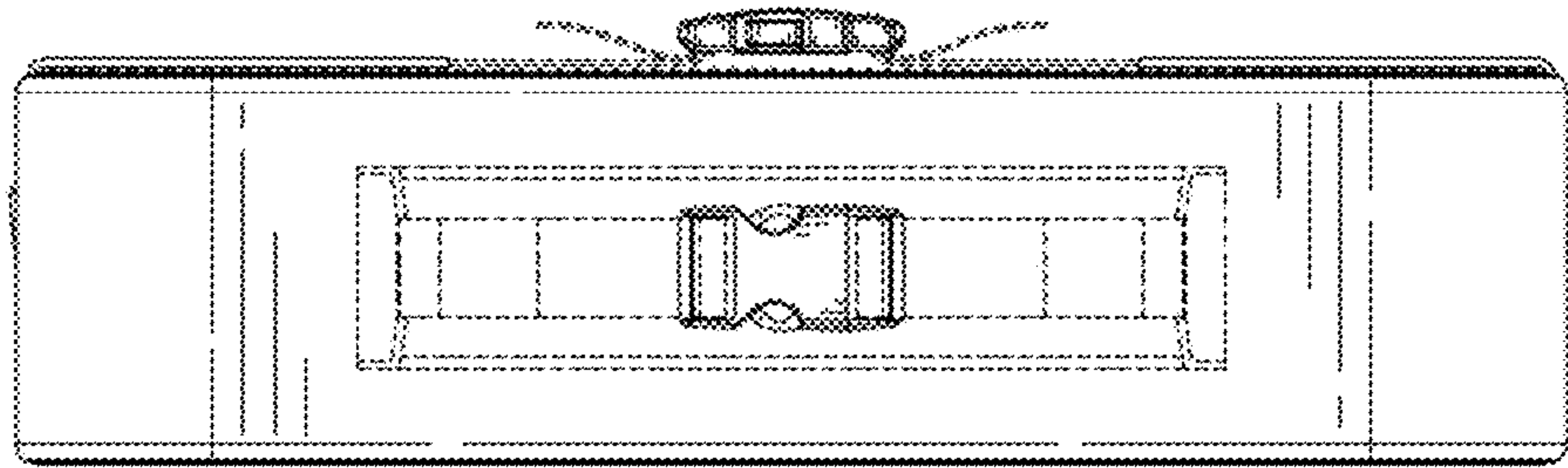


FIG. 7

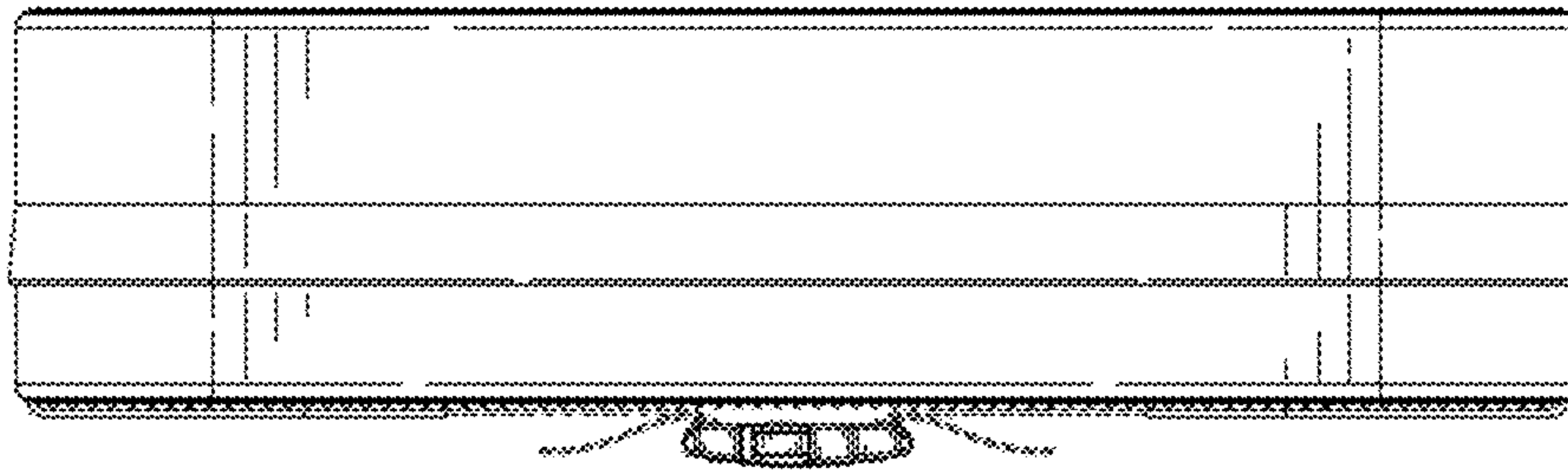


FIG. 8