



US00D935804S

(12) **United States Design Patent** (10) **Patent No.:** **US D935,804 S**
Kim et al. (45) **Date of Patent:** **** Nov. 16, 2021**

(54) **TASSEL**

(71) Applicant: **Hunter Douglas Inc.**, Pearl River, NY (US)

(72) Inventors: **Chunshik Kim**, San Jose, CA (US); **John White**, Roswell, GA (US)

(73) Assignee: **Hunter Douglas Inc.**, Pearl River, NY (US)

(**) Term: **15 Years**

(21) Appl. No.: **29/698,633**

(22) Filed: **Jul. 18, 2019**

(51) **LOC (13) Cl.** **06-10**

(52) **U.S. Cl.**
USPC **D6/581**

(58) **Field of Classification Search**
USPC D6/575-577, 580-581; D13/155; D26/138
CPC A47H 1/14; A47H 1/142; A47H 1/144; A47H 11/04; E06B 9/323; E06B 9/388; E06B 9/42; E06B 9/46; E06B 9/48
See application file for complete search history.

(56) **References Cited**

U.S. PATENT DOCUMENTS

D109,668 S * 5/1938 Merralls D6/581
D205,495 S * 8/1966 Oxnard D6/581
4,563,002 A * 1/1986 Jardine A63B 5/20
482/82
D311,294 S * 10/1990 Litowitz E06B 9/307
D6/580
D444,693 S * 7/2001 Griese D8/107
D471,434 S * 3/2003 Read E06B 9/326
D6/550

D494,048 S * 8/2004 Goodman E06B 9/322
D8/372
D579,748 S * 11/2008 Schneider D8/308
D657,009 S * 4/2012 Krull D21/672
9,376,859 B1 * 6/2016 DeWard E06B 9/307
10,087,680 B1 * 10/2018 Hall E06B 9/72
2006/0011310 A1 * 1/2006 Chou E06B 9/326
160/178.1 R
2006/0260765 A1 * 11/2006 Antonini E06B 9/322
160/168.1 R
2009/0038762 A1 * 2/2009 Hsieh E06B 9/388
160/168.1 R
2011/0108216 A1 * 5/2011 Levin F16G 11/02
160/340
2012/0066869 A1 * 3/2012 Huang E06B 9/326
24/115 F
2015/0288316 A1 * 10/2015 Hall E06B 9/322
318/434
2017/0145741 A1 * 5/2017 Palmer E06B 9/326
2018/0238107 A1 * 8/2018 Hall G08C 17/02

* cited by examiner

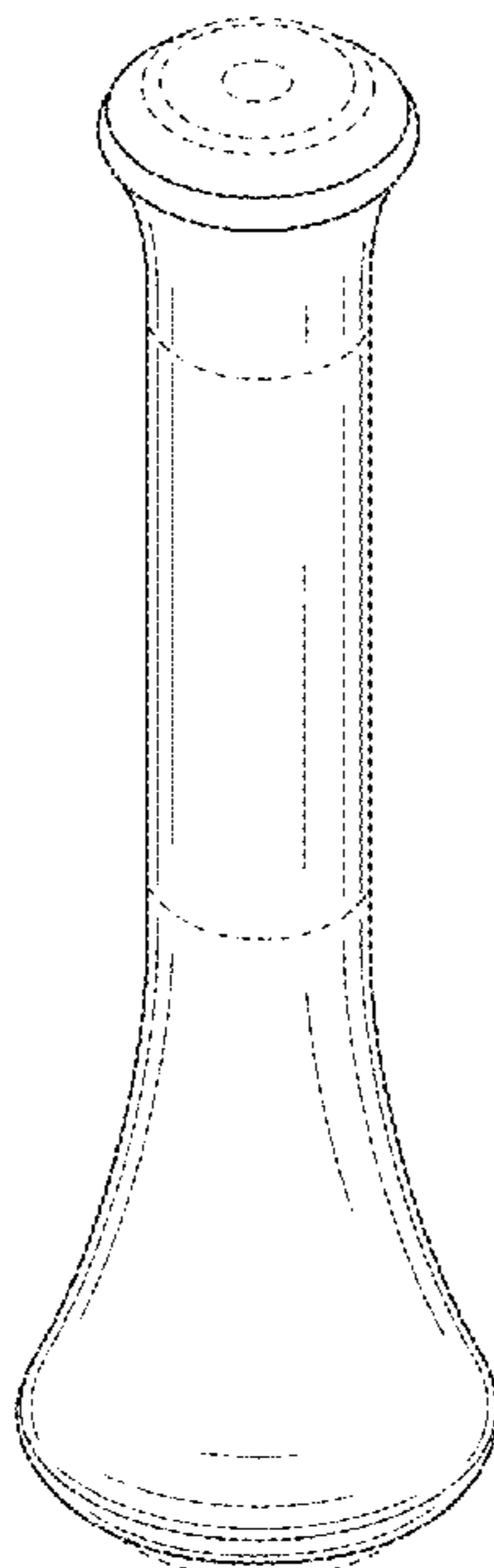
Primary Examiner — Kevin K Rudzinski
Assistant Examiner — Clare Ann Gannon
(74) *Attorney, Agent, or Firm* — Leason Ellis LLP

(57) **CLAIM**
The ornamental design for a tassel, as shown and described.

DESCRIPTION

FIG. 1 is a top perspective view of a tassel according to the claimed design;
FIG. 2 is a bottom perspective view of FIG. 1;
FIG. 3 is a side view of FIG. 1, the design being rotationally symmetric from the side view;
FIG. 4 is a top view of FIG. 1; and,
FIG. 5 is a bottom view of FIG. 1.
The dash-dash broken lines illustrate environmental structure and form no part of the claimed design.

1 Claim, 4 Drawing Sheets



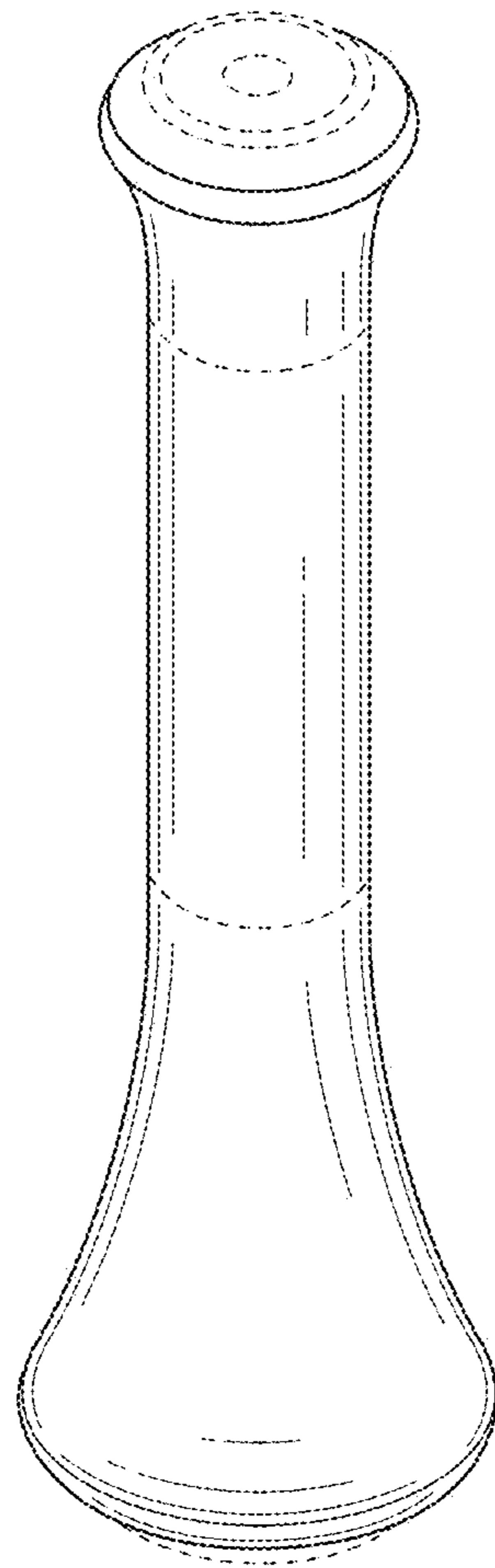


FIG. 1

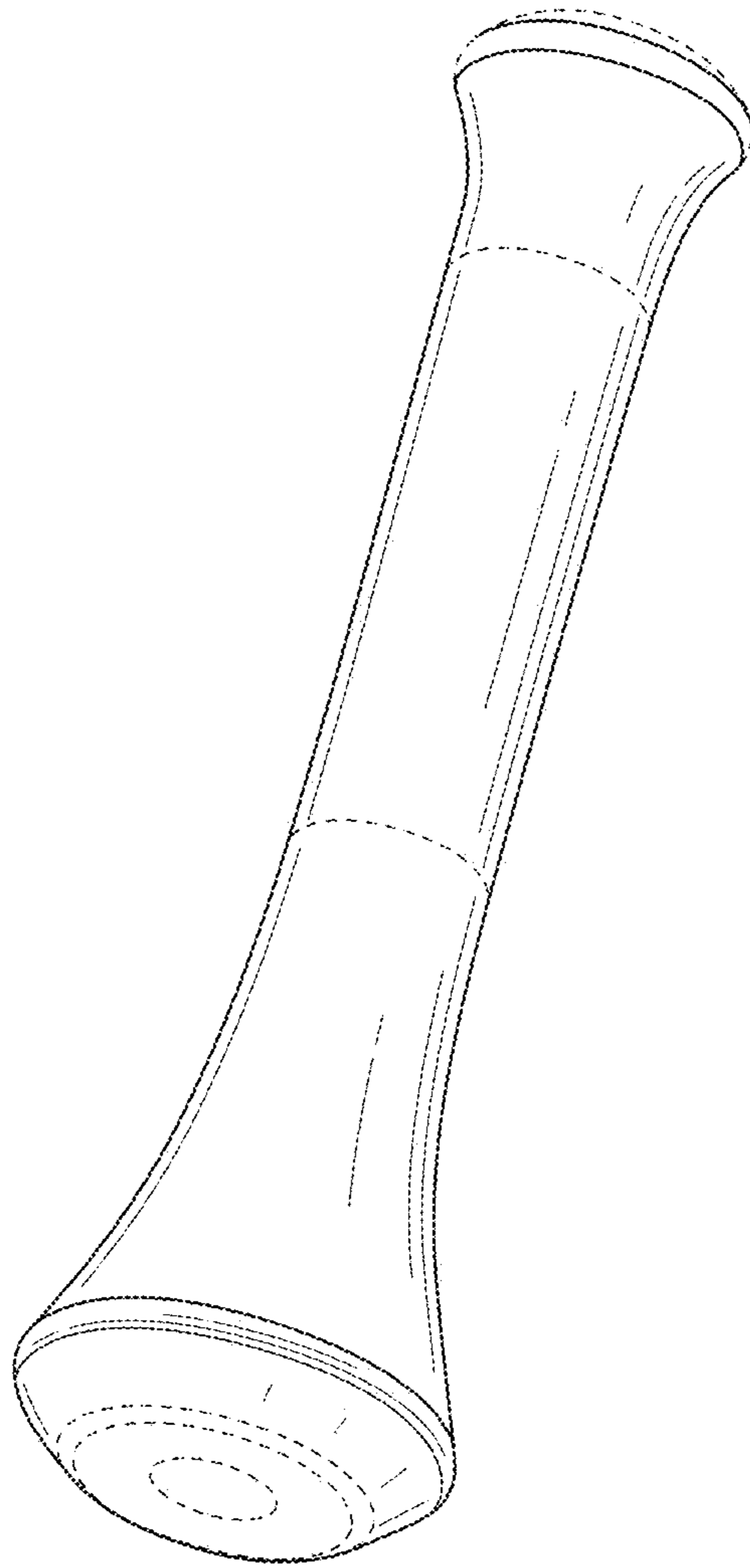


FIG. 2

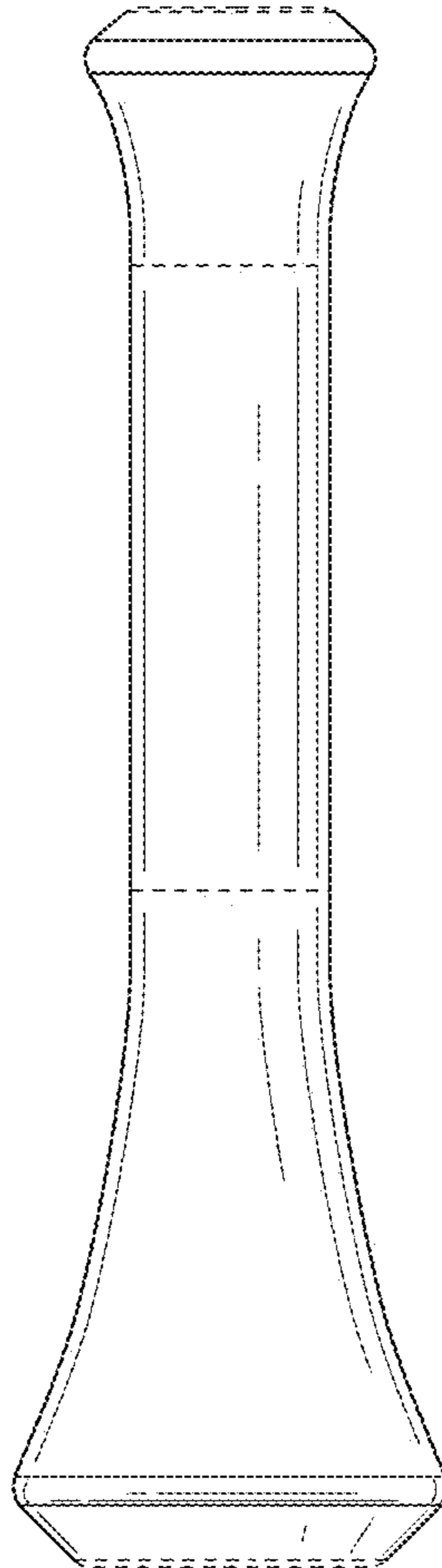


FIG. 3

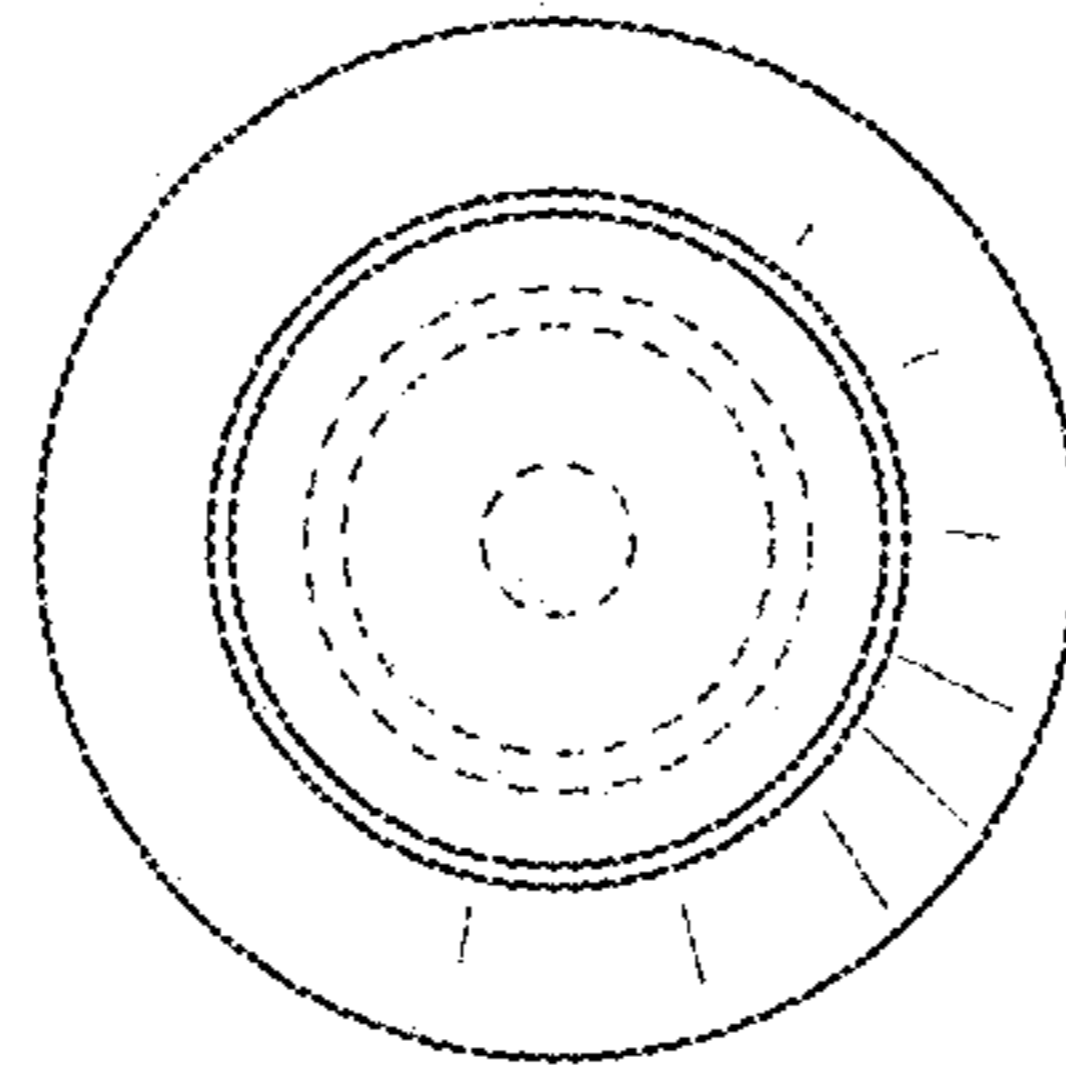


FIG. 4

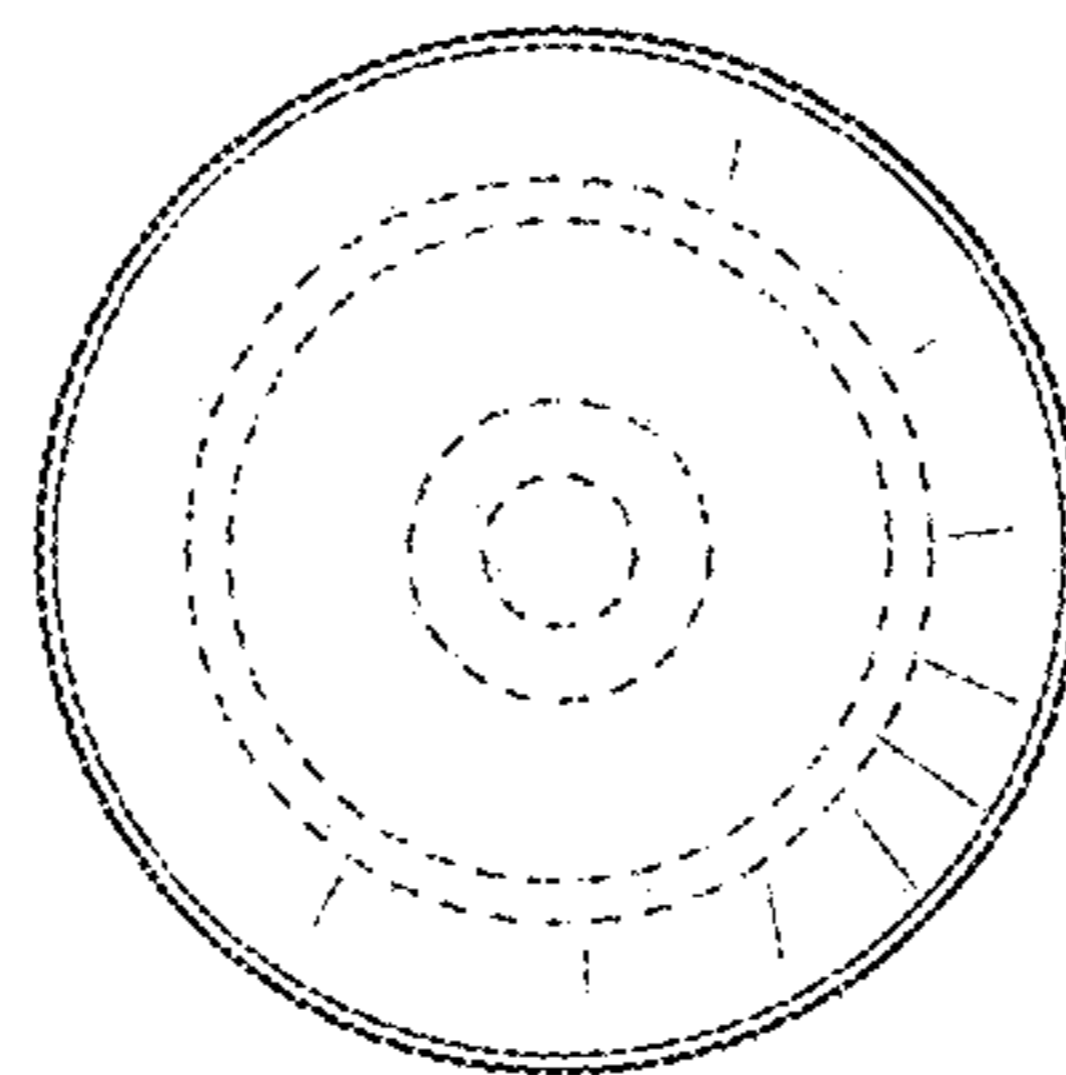


FIG. 5