



US00D935802S

(12) **United States Design Patent**
Ye et al.

(10) **Patent No.:** **US D935,802 S**

(45) **Date of Patent:** **** Nov. 16, 2021**

(54) **SHOWER SHELF**

(71) Applicant: **XIAMEN LOTA INTERNATIONAL CO., LTD.**, Xiamen (CN)

(72) Inventors: **Liming Ye**, Xiamen (CN); **Jiaqun Lin**, Xiamen (CN); **Yunlong Xie**, Xiamen (CN); **Chuanbao Zhu**, Xiamen (CN)

(73) Assignee: **XIAMEN LOTA INTERNATIONAL CO., LTD.**, Xiamen (CN)

(**) Term: **15 Years**

(21) Appl. No.: **29/728,484**

(22) Filed: **Mar. 19, 2020**

(51) **LOC (13) Cl.** **06-04**

(52) **U.S. Cl.**
USPC **D6/574**

(58) **Field of Classification Search**
USPC D6/574, 567, 568, 329, 396, 417, 552, D6/553; 108/152; 211/13.1, 49.1, 60.1, 211/64, 70.5, 86.01, 87.01, 88.01, 89.01, 211/181.1; 248/121, 175, 200, 302
CPC A47K 3/281; A47K 3/001; A47K 5/04; A47B 96/022; A47B 96/021; A47B 96/024; A47B 96/066; A47B 55/00
See application file for complete search history.

(56) **References Cited**

U.S. PATENT DOCUMENTS

- 4,125,192 A * 11/1978 Dayen A63B 60/60 211/14
- D311,657 S * 10/1990 Pate D6/574
- D361,238 S * 8/1995 Richards D6/574
- D419,021 S * 1/2000 Owens D6/513
- D443,163 S * 6/2001 Welch D6/574
- D489,927 S * 5/2004 Hoernig D6/574
- D512,867 S * 12/2005 Gates D6/574
- D583,176 S * 12/2008 Bochner D6/555

- D690,533 S * 10/2013 Majcher D6/574
- D816,372 S * 5/2018 Berkowitz D6/567
- D859,031 S * 9/2019 Ritch A61B 17/22 D6/574
- D878,804 S * 3/2020 Khardori D6/574
- D916,518 S * 4/2021 Eads D6/574
- 2021/0045528 A1 * 2/2021 Acquroff A47B 96/027

* cited by examiner

Primary Examiner — Nathan M Johnston

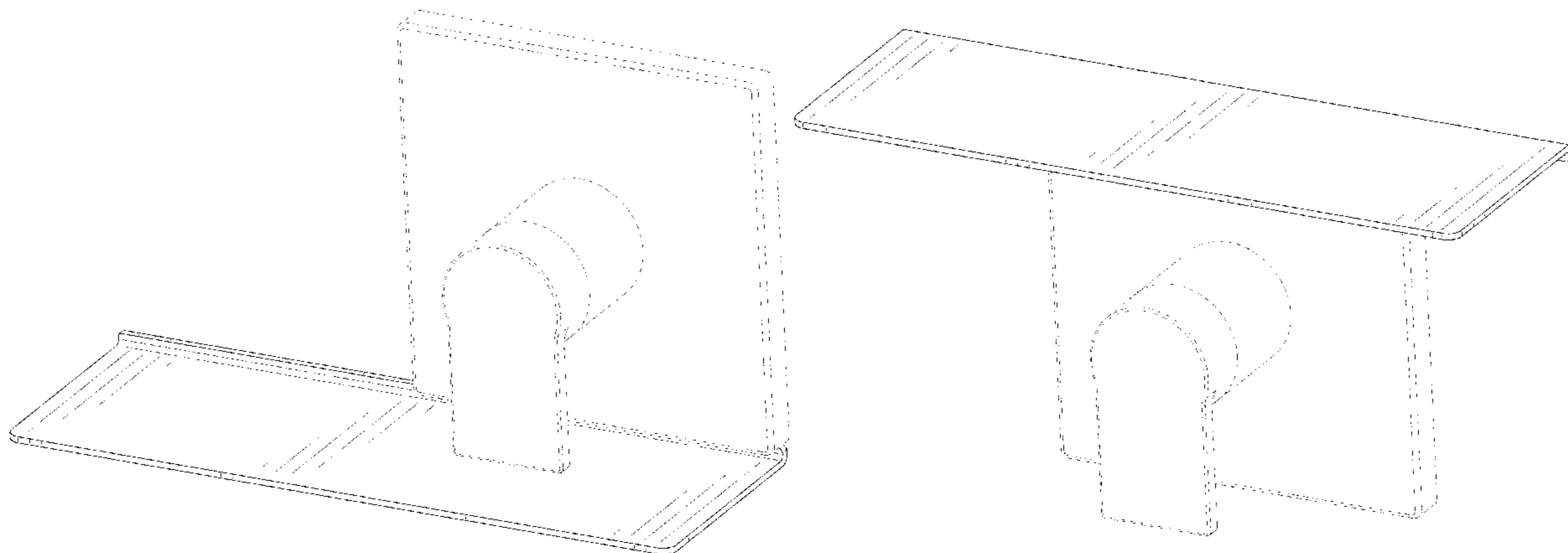
(57) **CLAIM**

The ornamental design for a shower shelf, as shown and described.

DESCRIPTION

FIG. 1 is a perspective view of a shower shelf showing our new design;
 FIG. 2 is another perspective view thereof;
 FIG. 3 is a front elevational view thereof;
 FIG. 4 is a rear elevational view thereof;
 FIG. 5 is a left side elevational view thereof;
 FIG. 6 is a right side elevational view thereof;
 FIG. 7 is a top plan view thereof;
 FIG. 8 is a bottom plan view thereof;
 FIG. 9 is a perspective view of a second embodiment of the shower shelf showing our new design;
 FIG. 10 is another perspective view thereof;
 FIG. 11 is a front elevational view thereof;
 FIG. 12 is a rear elevational view thereof;
 FIG. 13 is a left side elevational view thereof;
 FIG. 14 is a right side elevational view thereof;
 FIG. 15 is a top plan view thereof; and,
 FIG. 16 is a bottom plan view thereof.
 The broken lines immediately adjacent to the shaded areas in the figures represent the boundaries of the shower shelf. The broken lines in the figures depict environmental subject matter that form no part of the claimed design. None of the broken lines form any part of the claimed design.

1 Claim, 16 Drawing Sheets



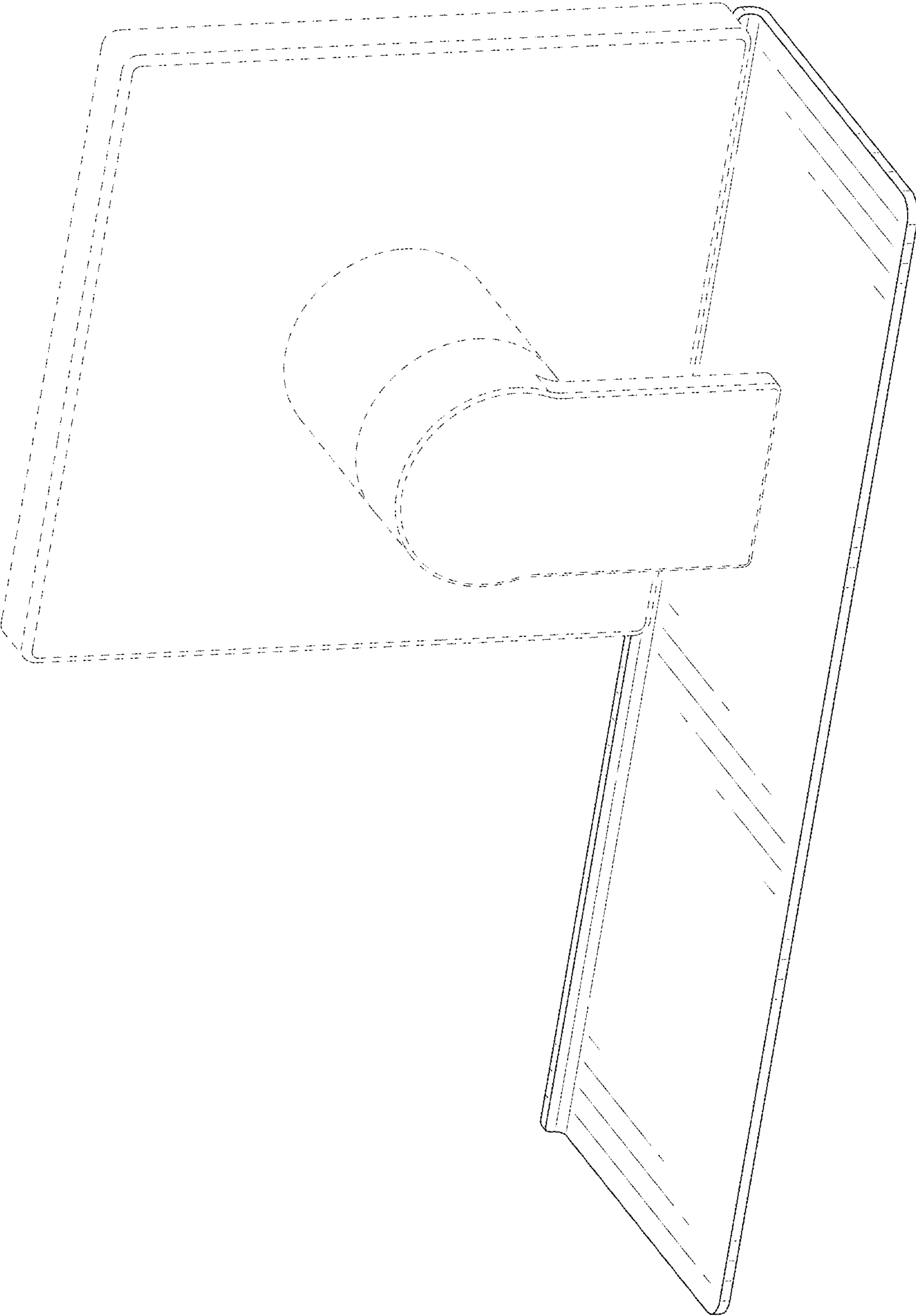


FIG. 1

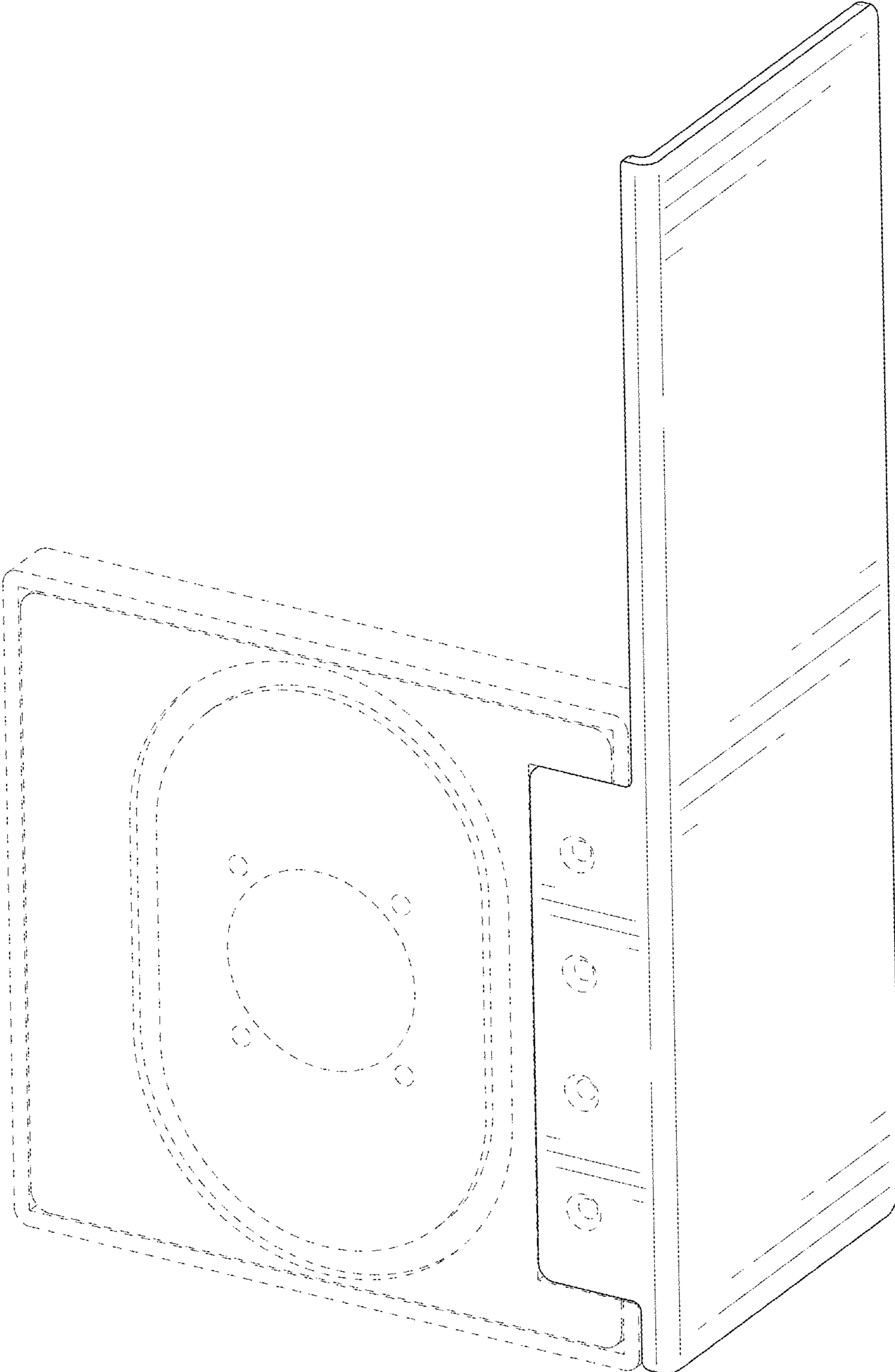


FIG. 2

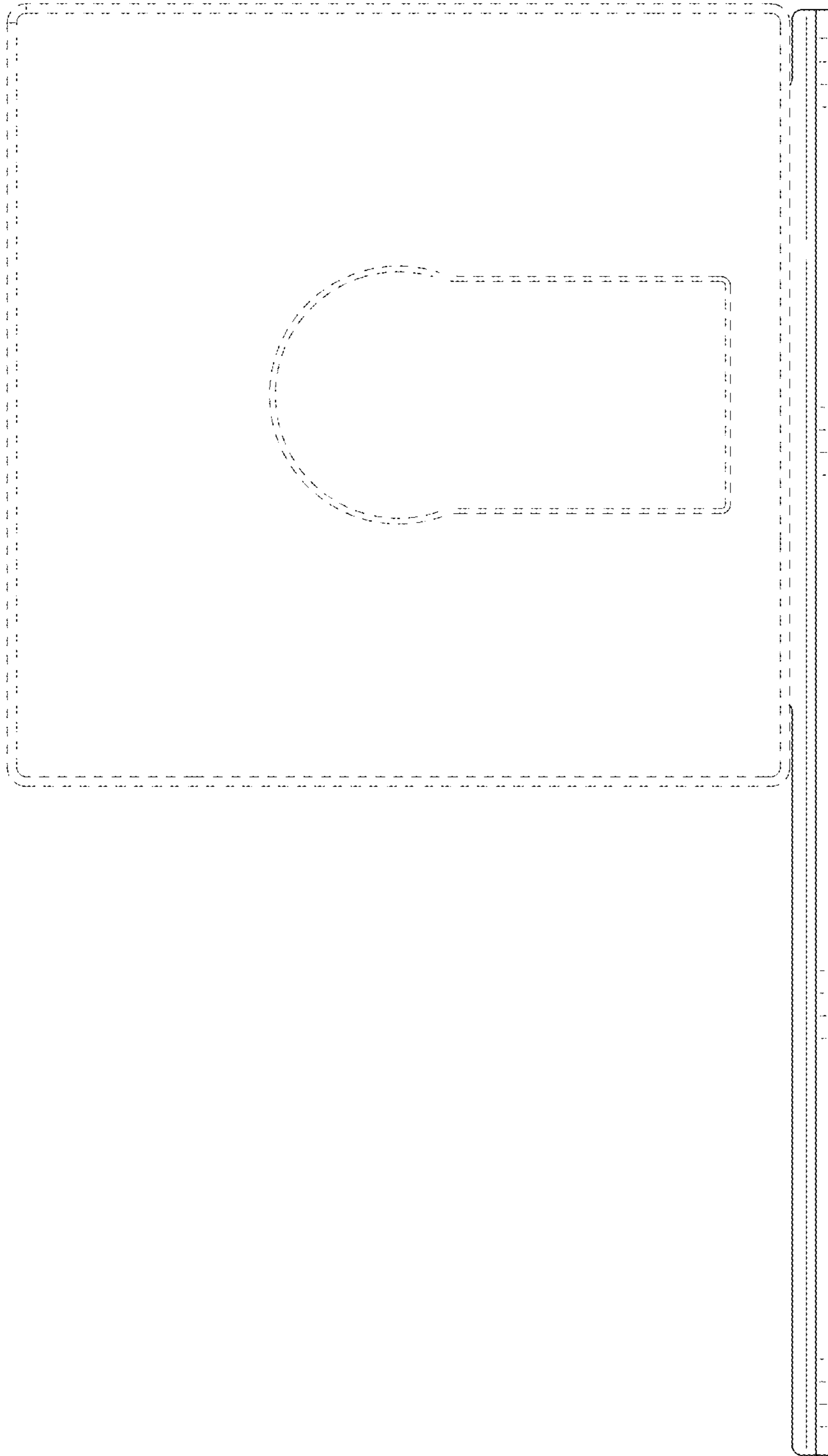


FIG. 3

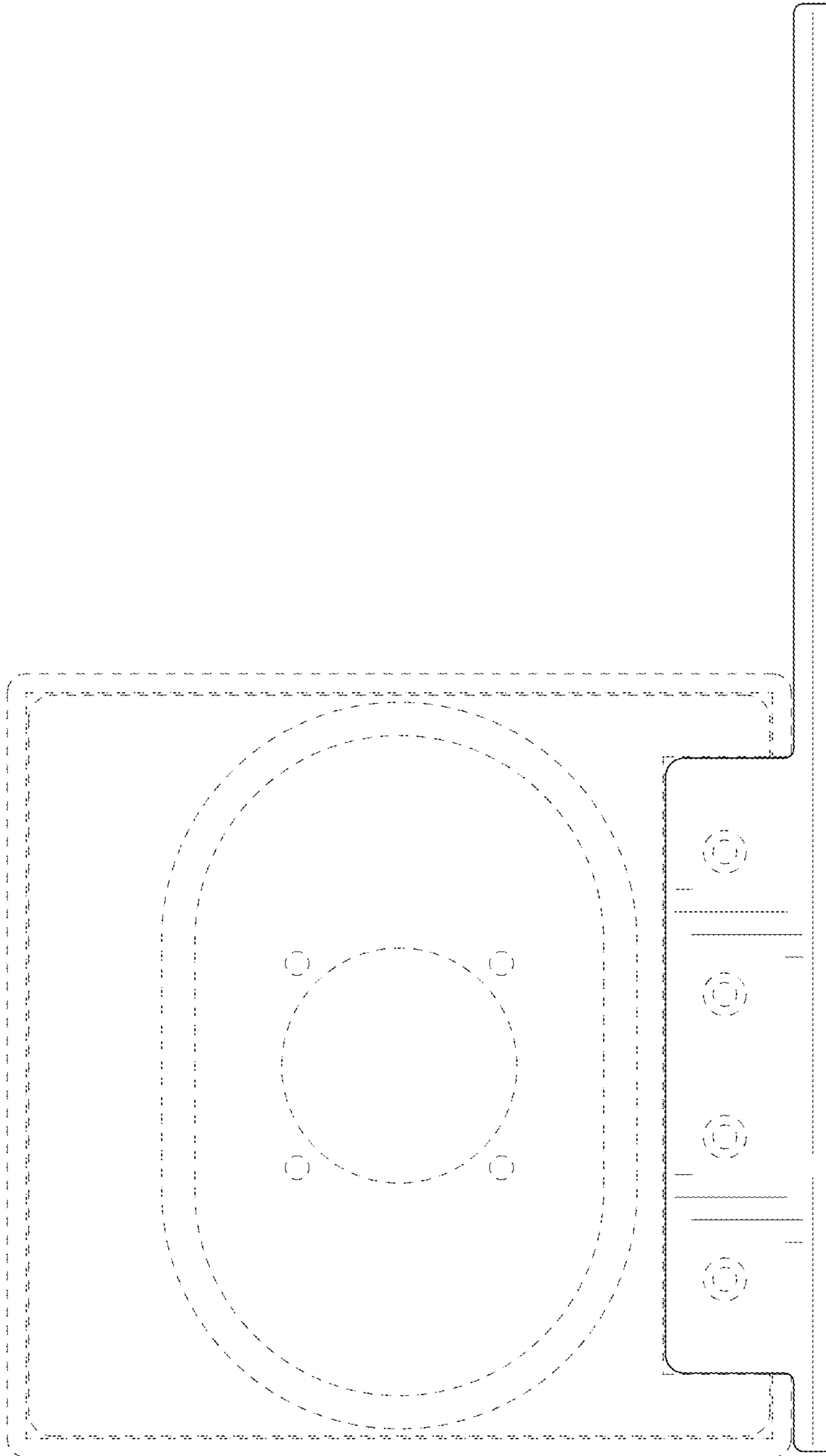


FIG. 4

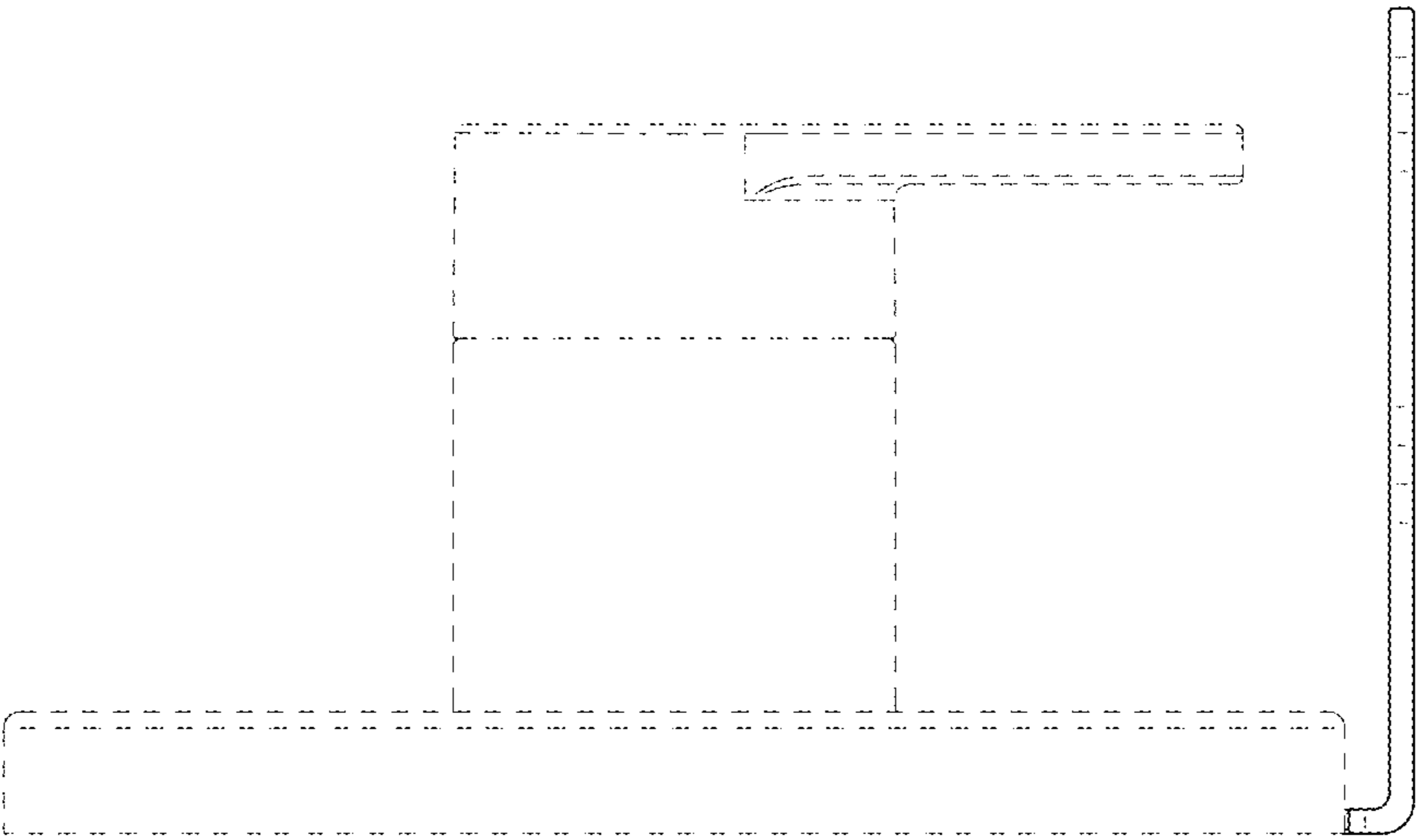


FIG. 5

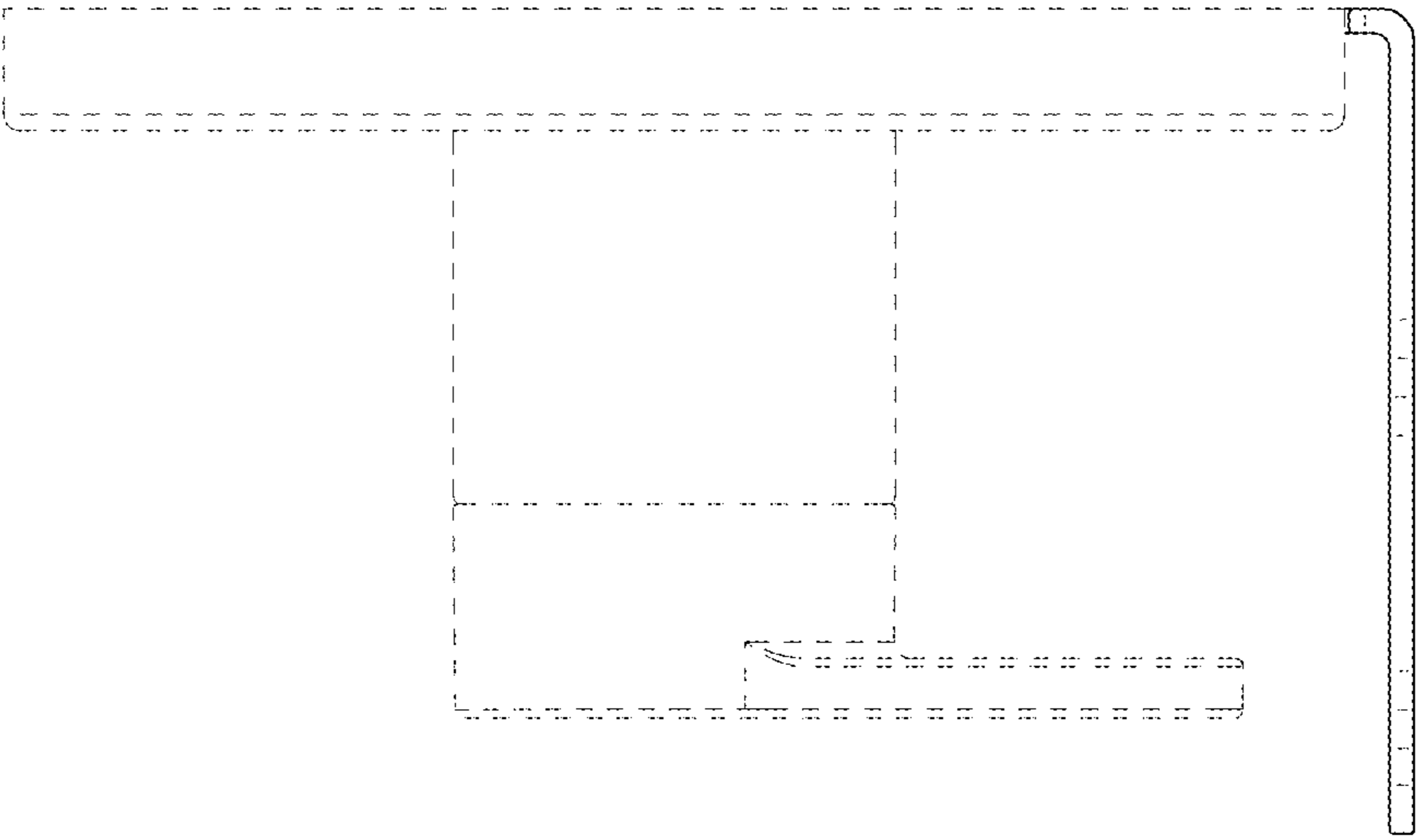


FIG. 6

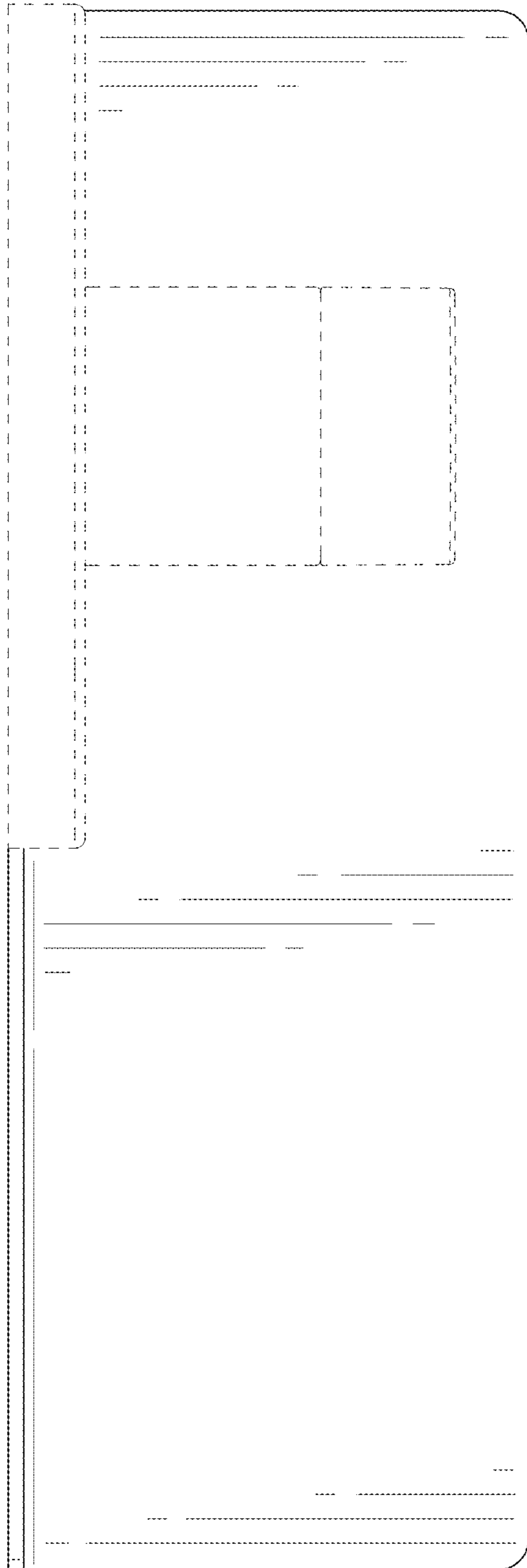


FIG. 7

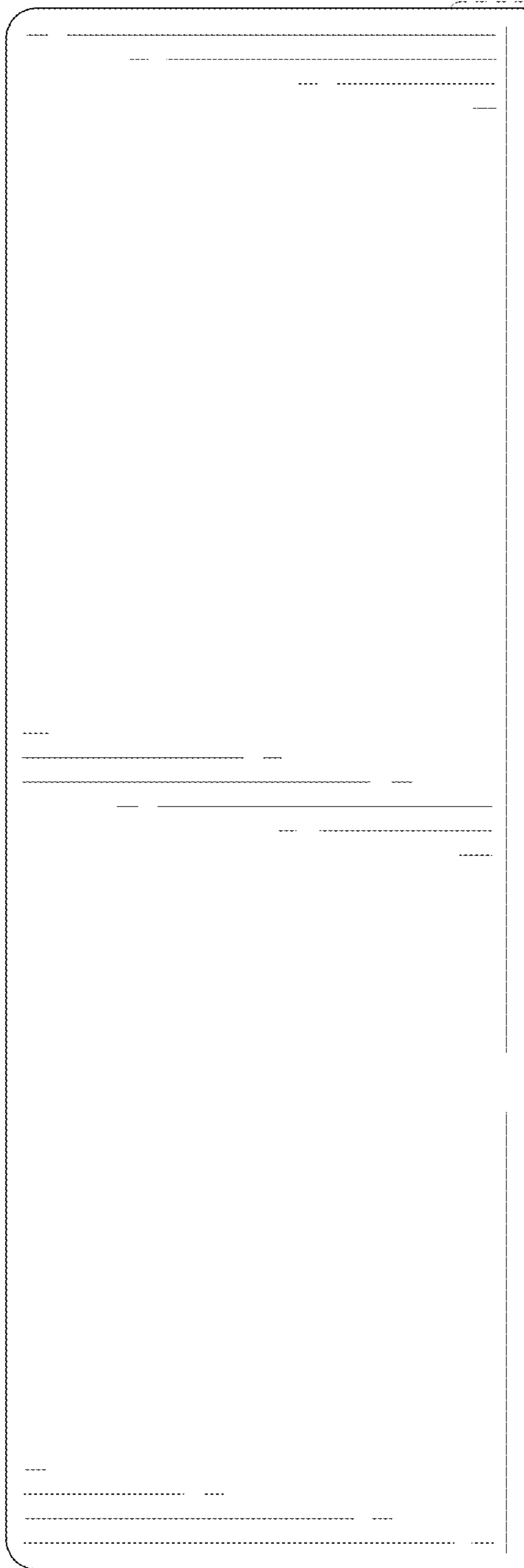


FIG. 8

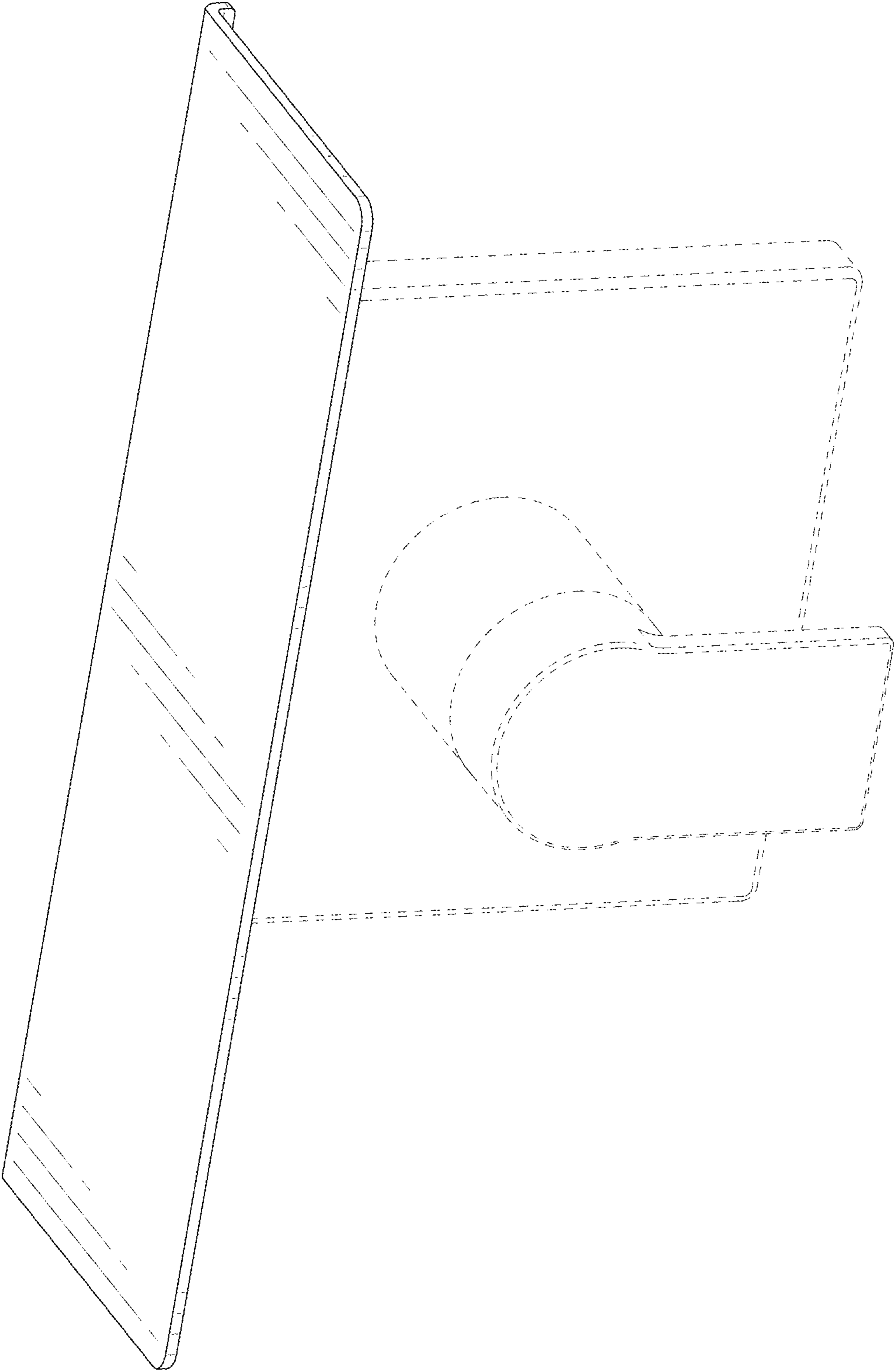


FIG. 9

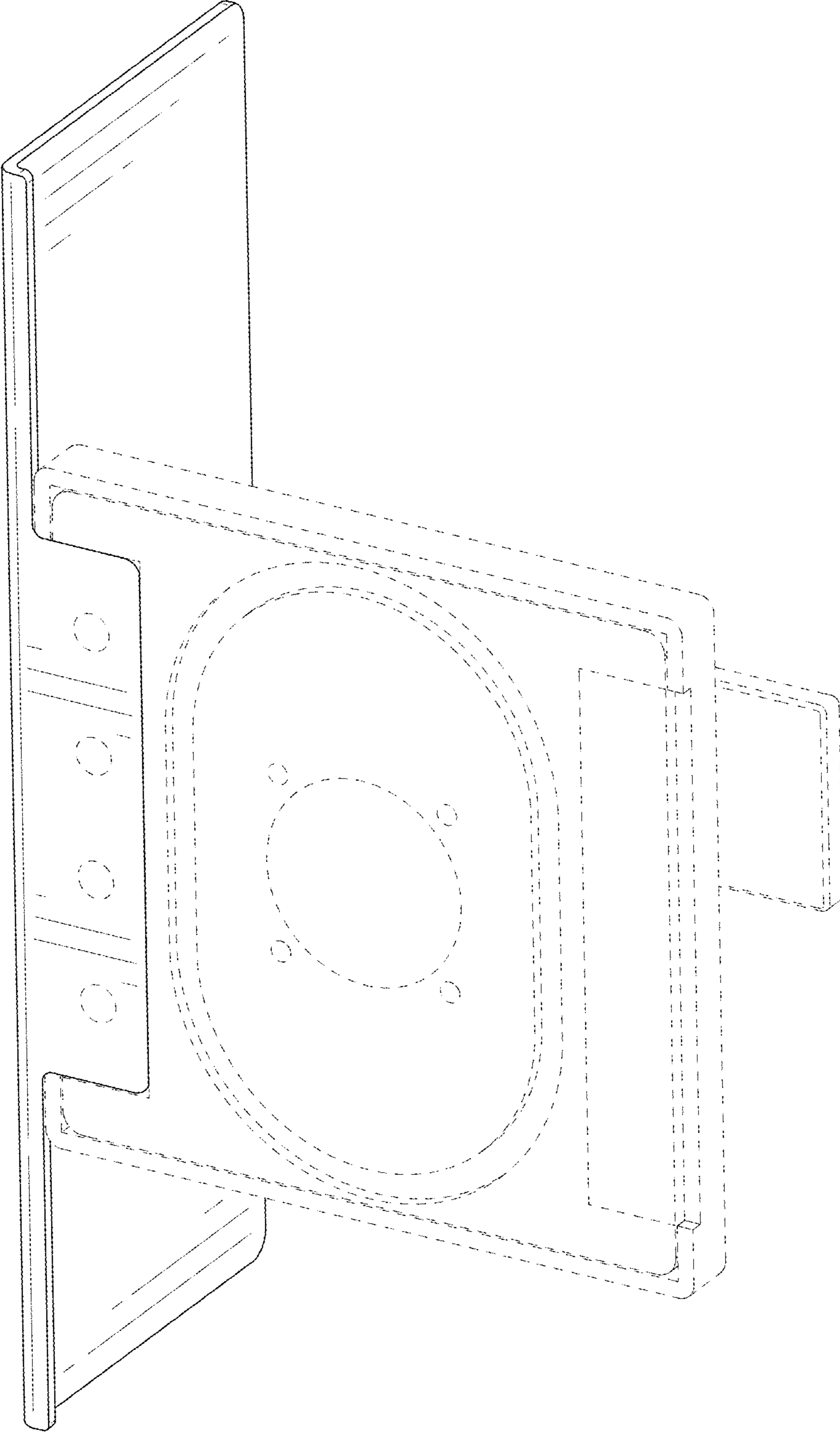


FIG. 10

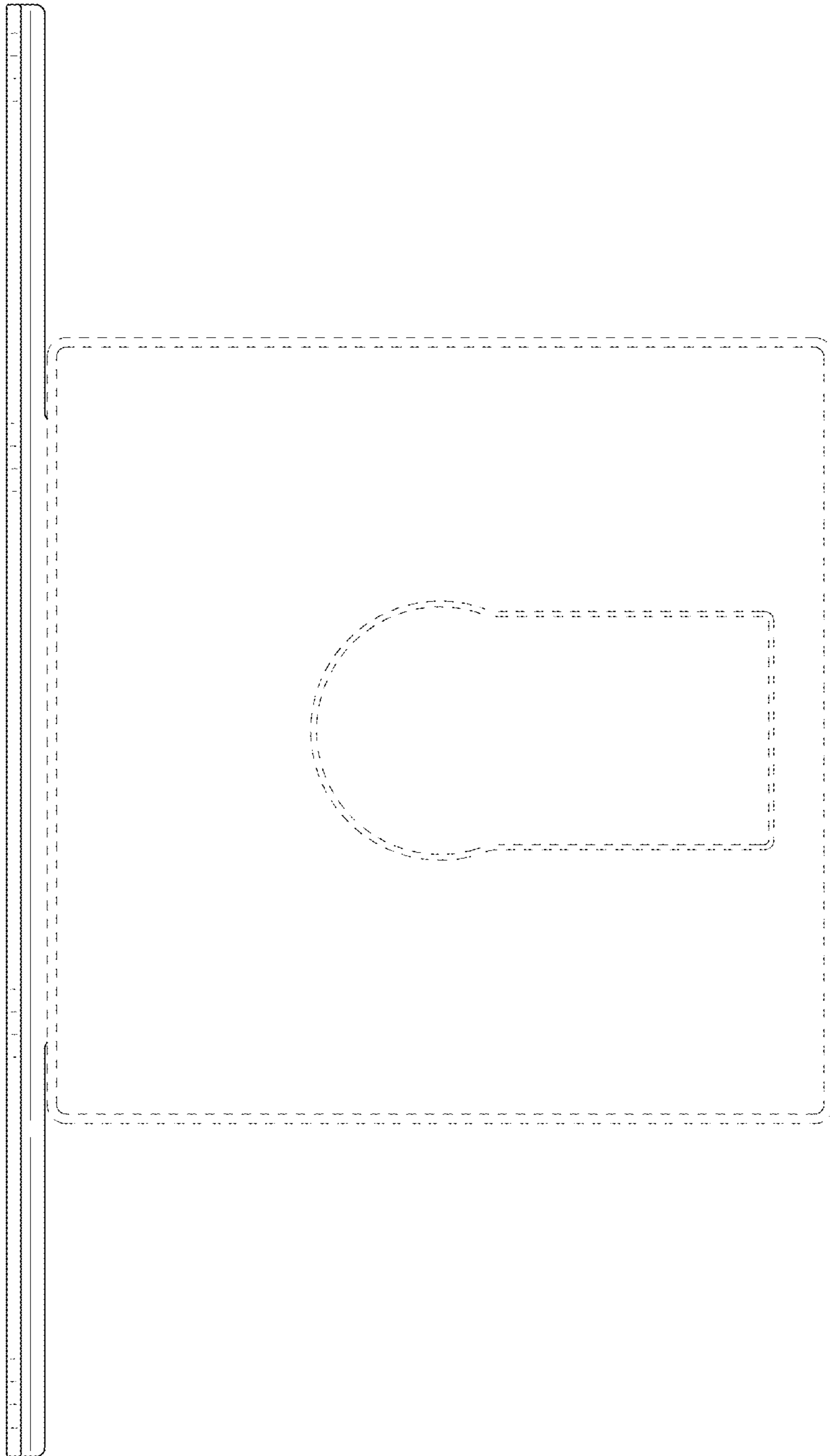


FIG. 11

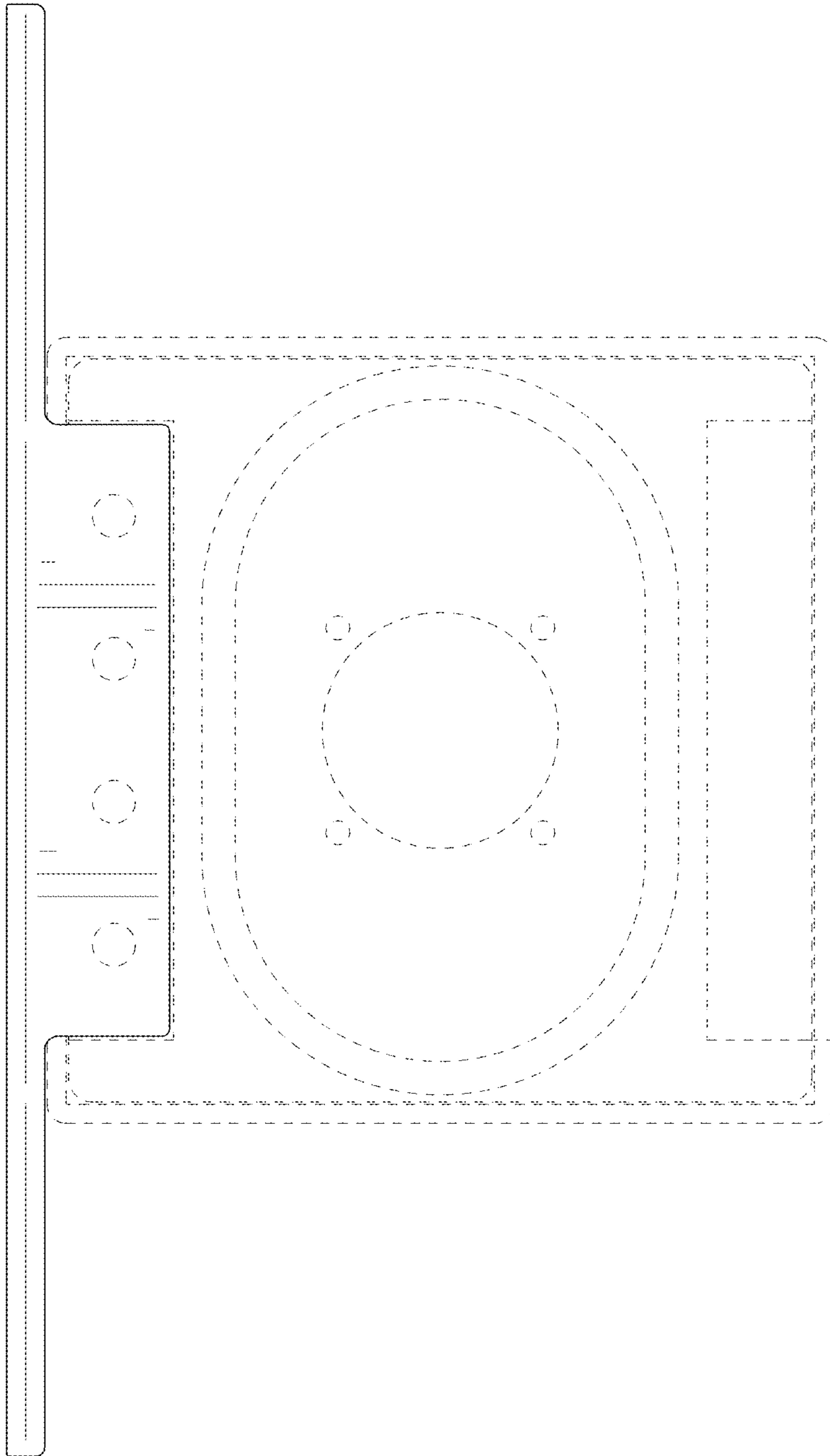


FIG. 12

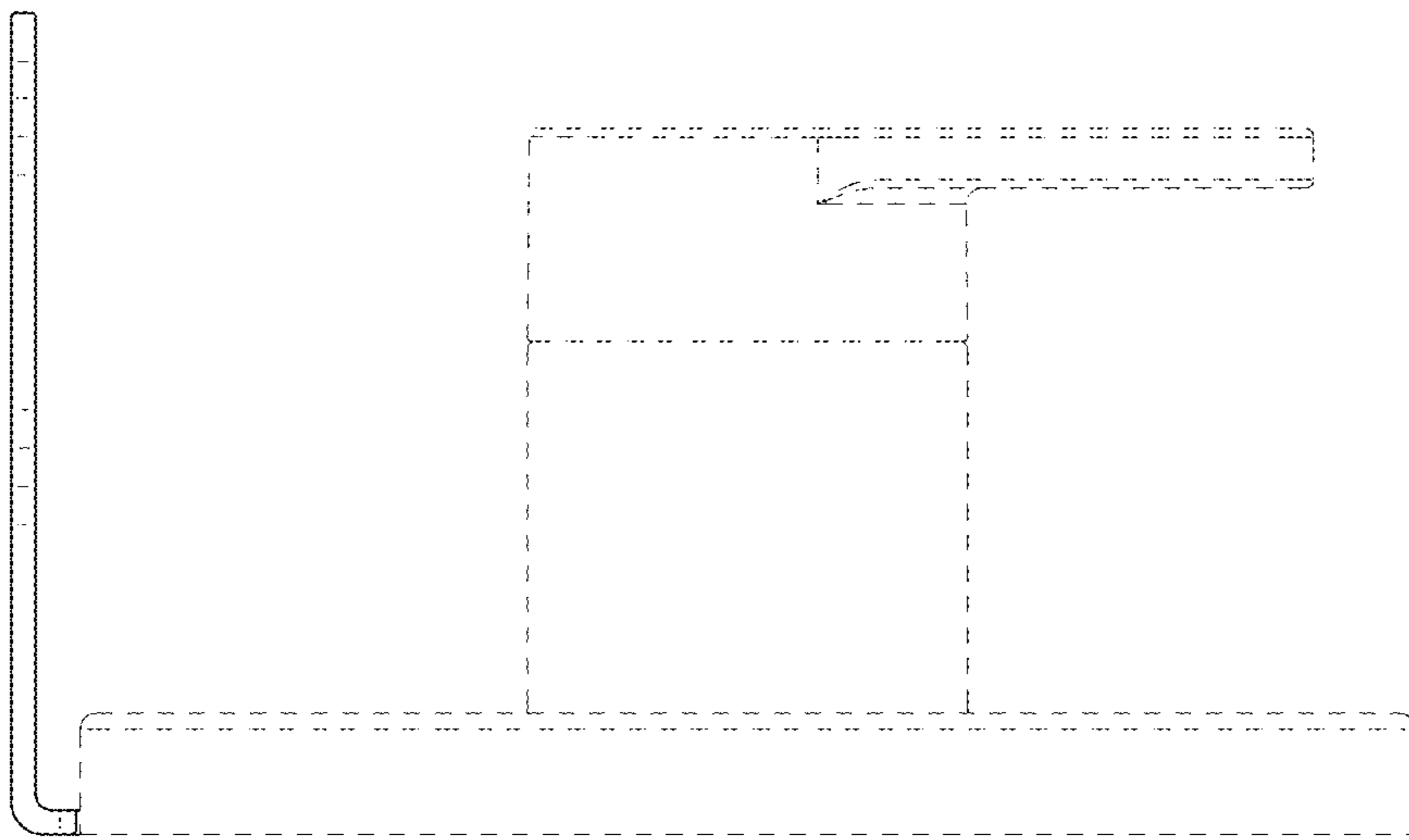


FIG. 13

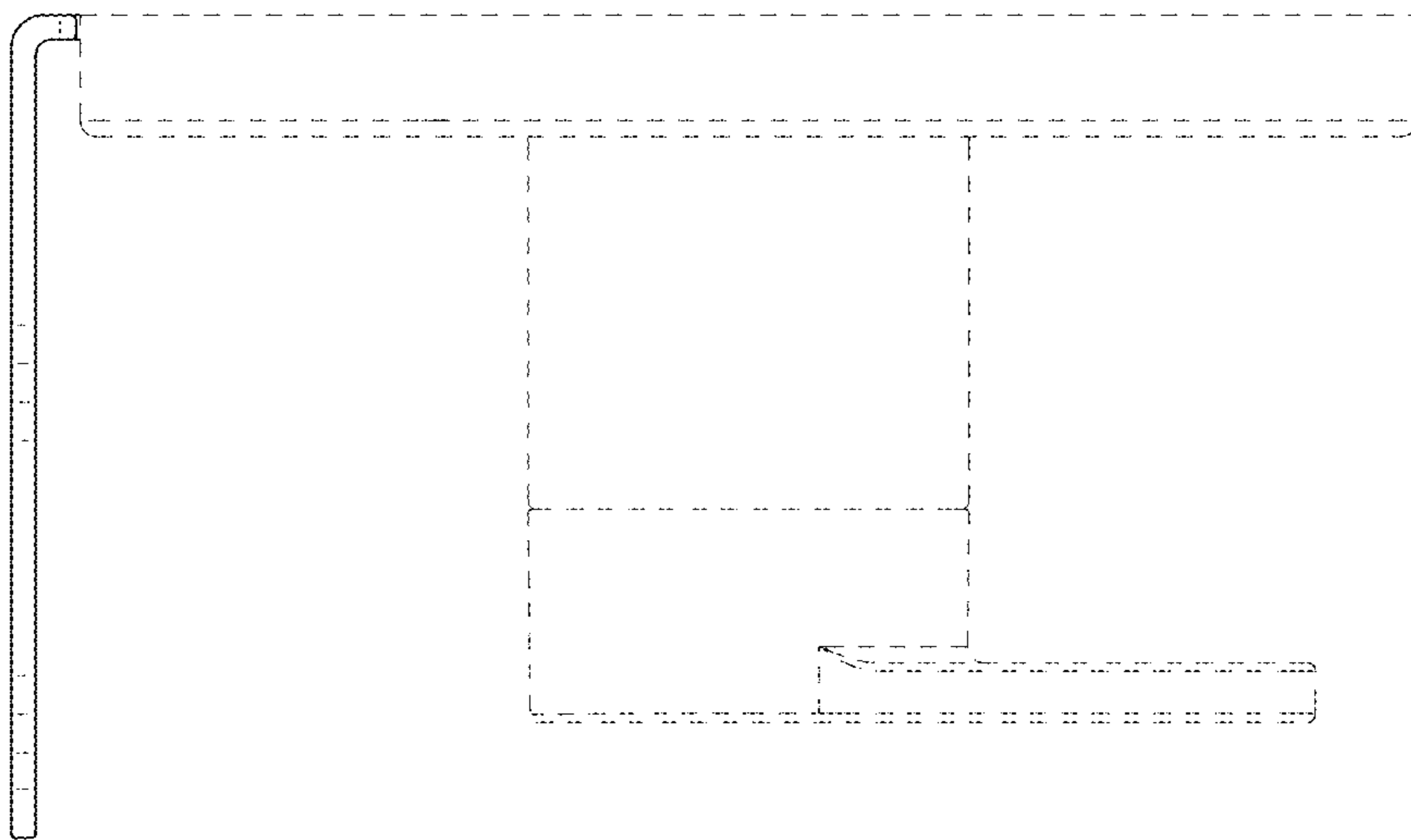


FIG. 14

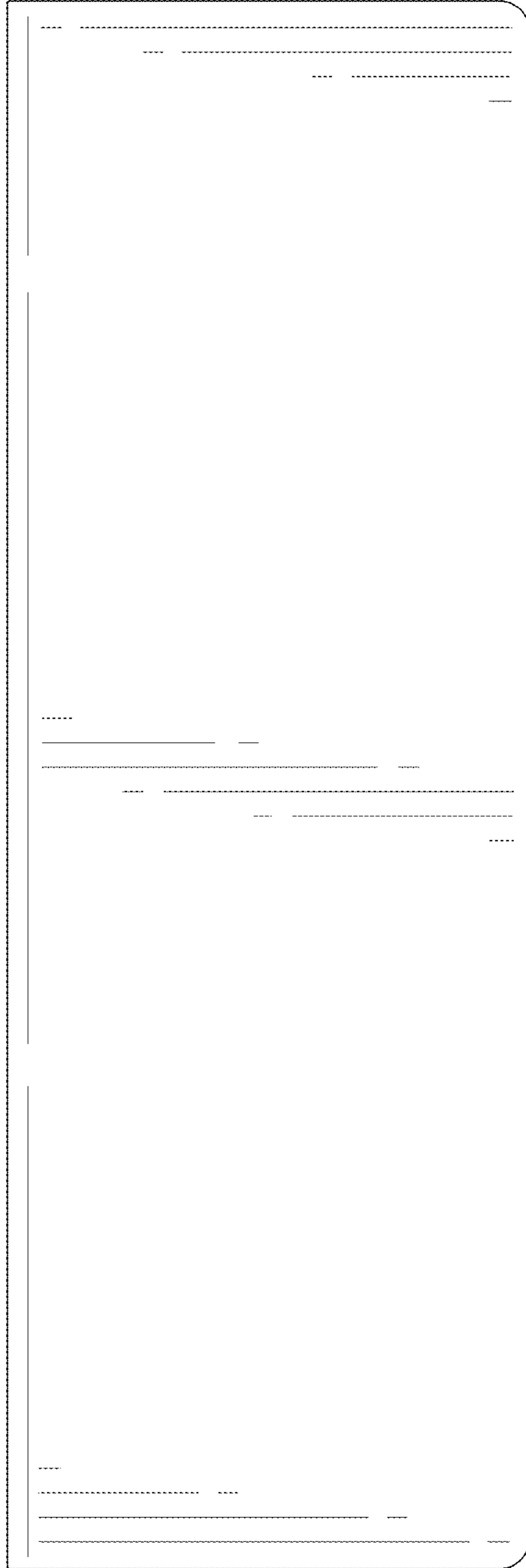


FIG. 15

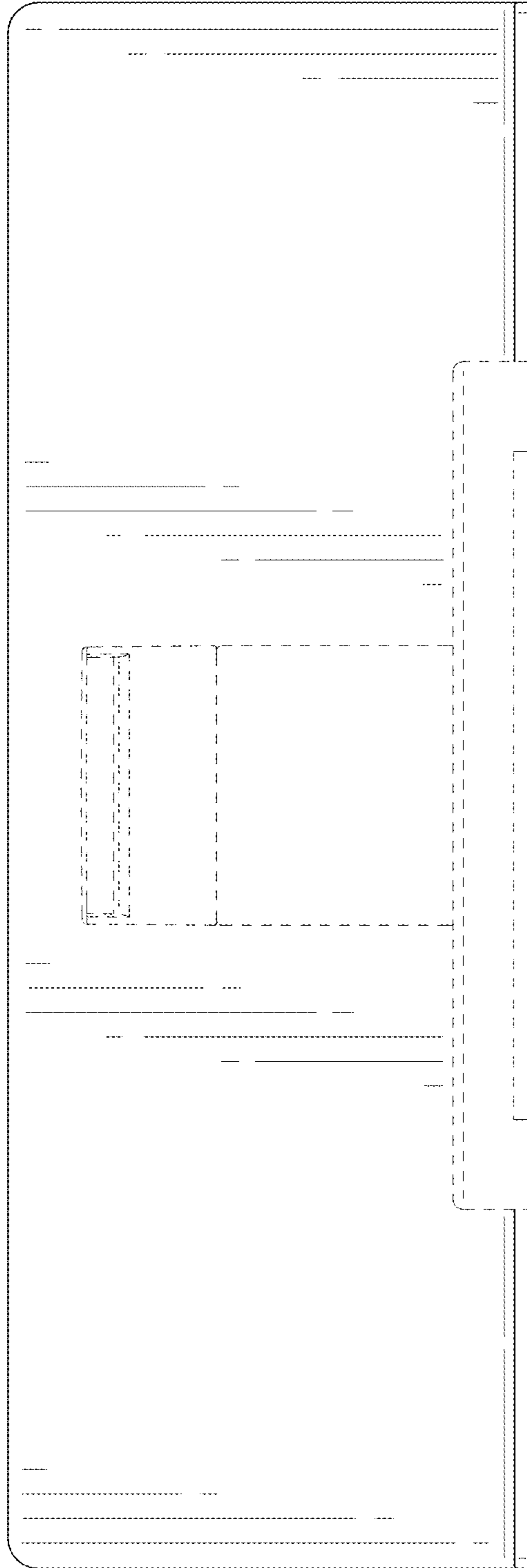


FIG. 16