



US00D935801S

(12) **United States Design Patent** (10) **Patent No.:** **US D935,801 S**
Wang (45) **Date of Patent:** **** Nov. 16, 2021**

(54) **BATHROOM SHELF**
(71) Applicant: **SHENZHEN LIYIJIUJIU NETWORK TECHNOLOGY CO., LTD.**, Shenzhen (CN)
(72) Inventor: **Xuzhong Wang**, Dongguan (CN)
(73) Assignee: **SHENZHEN LIYIJIUJIU NETWORK TECHNOLOGY CO., LTD.**, Shenzhen (CN)

D477,732 S * 7/2003 Hoernig D6/527
D477,742 S * 7/2003 Hoernig D6/574
D493,313 S * 7/2004 Hoernig D6/524
D495,180 S * 8/2004 Painter D6/527
D501,622 S * 2/2005 Hoernig D6/574
D514,363 S * 2/2006 Hoernig D6/574
D559,602 S * 1/2008 Bickler D6/549
D671,778 S * 12/2012 Kwok D6/549
D711,668 S * 8/2014 Fritz D6/574
D770,200 S * 11/2016 Garland D6/574
2019/0183243 A1 * 6/2019 Brugmann A47F 5/005

(**) Term: **15 Years**
(21) Appl. No.: **29/716,613**
(22) Filed: **Dec. 11, 2019**
(51) **LOC (13) Cl.** **06-04**
(52) **U.S. Cl.**
USPC **D6/574; D6/549**
(58) **Field of Classification Search**
USPC D6/518-524, 548-550, 574; D8/300, D8/303, 315-321, 349, 354, 363, 373, D8/380; 108/28-29; 211/13.1, 16, 60.1, 211/100, 86.1, 87.01, 88.01, 88.04, 211/105.1-105.2, 123, 182, 181.1; 248/176, 176.1, 251, 302, 309.1
CPC A47K 3/281; A47K 3/001; A47K 5/04; A47B 96/022; A47B 96/021; A47B 96/024; A47B 96/066; A47B 55/00
See application file for complete search history.

(56) **References Cited**
U.S. PATENT DOCUMENTS
D476,837 S * 7/2003 Hoernig D6/527
D476,838 S * 7/2003 Hoernig D6/527

OTHER PUBLICATIONS

Amazon.com, Arichomy Floating Shelves, May 17, 2021, <https://www.amazon.com/dp/B0953F2H15/> (Year: 2021).*

* cited by examiner

Primary Examiner — Nathan M Johnston

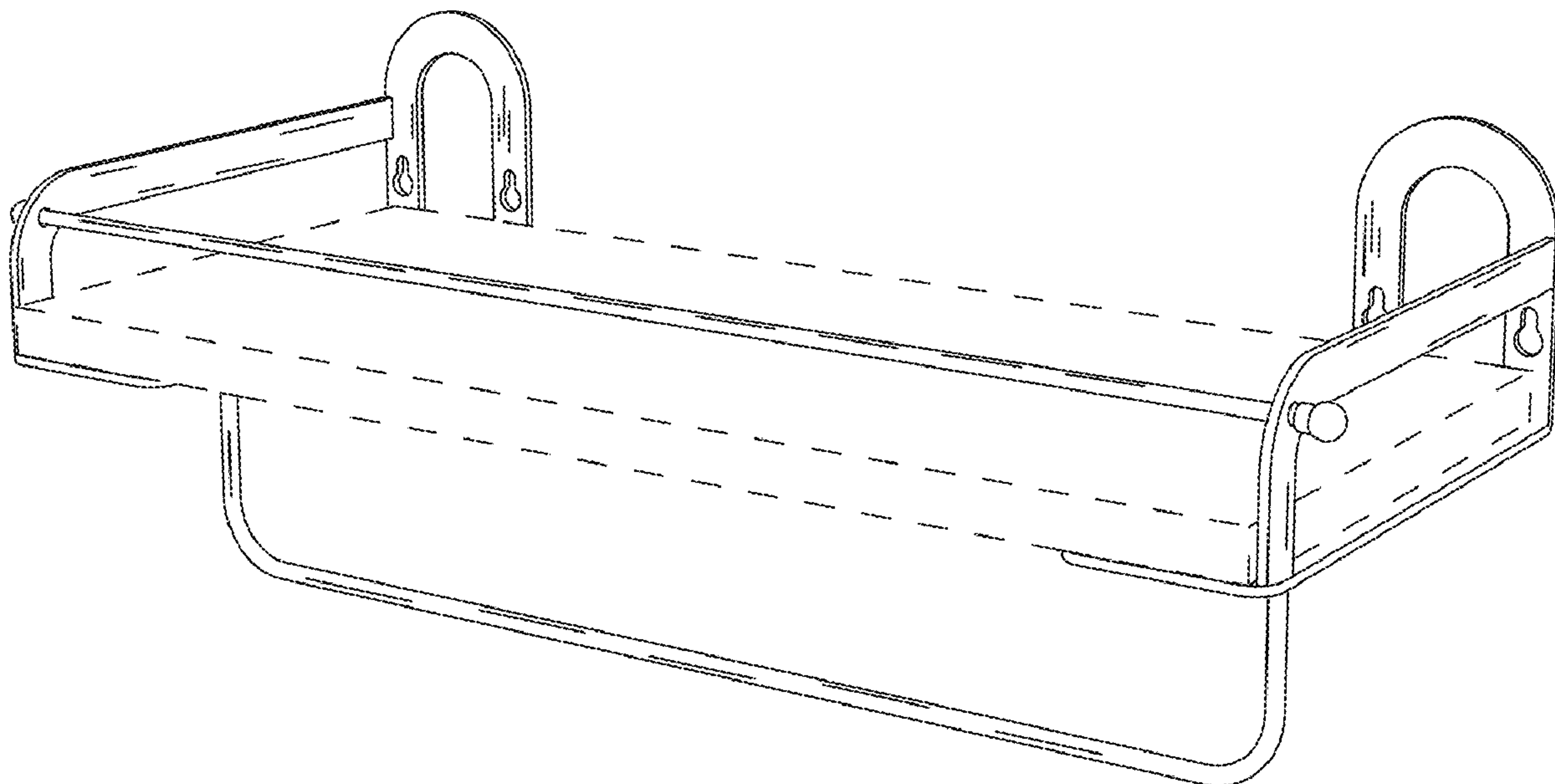
(57) **CLAIM**

The ornamental design for a bathroom shelf, as shown and described.

DESCRIPTION

FIG. 1 is a perspective view of a bathroom shelf showing my new design;
FIG. 2 is another perspective view thereof;
FIG. 3 is a front elevational view thereof;
FIG. 4 is a rear elevational view thereof;
FIG. 5 is a top plan view thereof;
FIG. 6 is a bottom plan view thereof;
FIG. 7 is a left side elevational view thereof; and,
FIG. 8 is a right side elevational view thereof.
The broken lines in the drawings depict portions of the bathroom shelf that form no part of the claimed design.

1 Claim, 8 Drawing Sheets



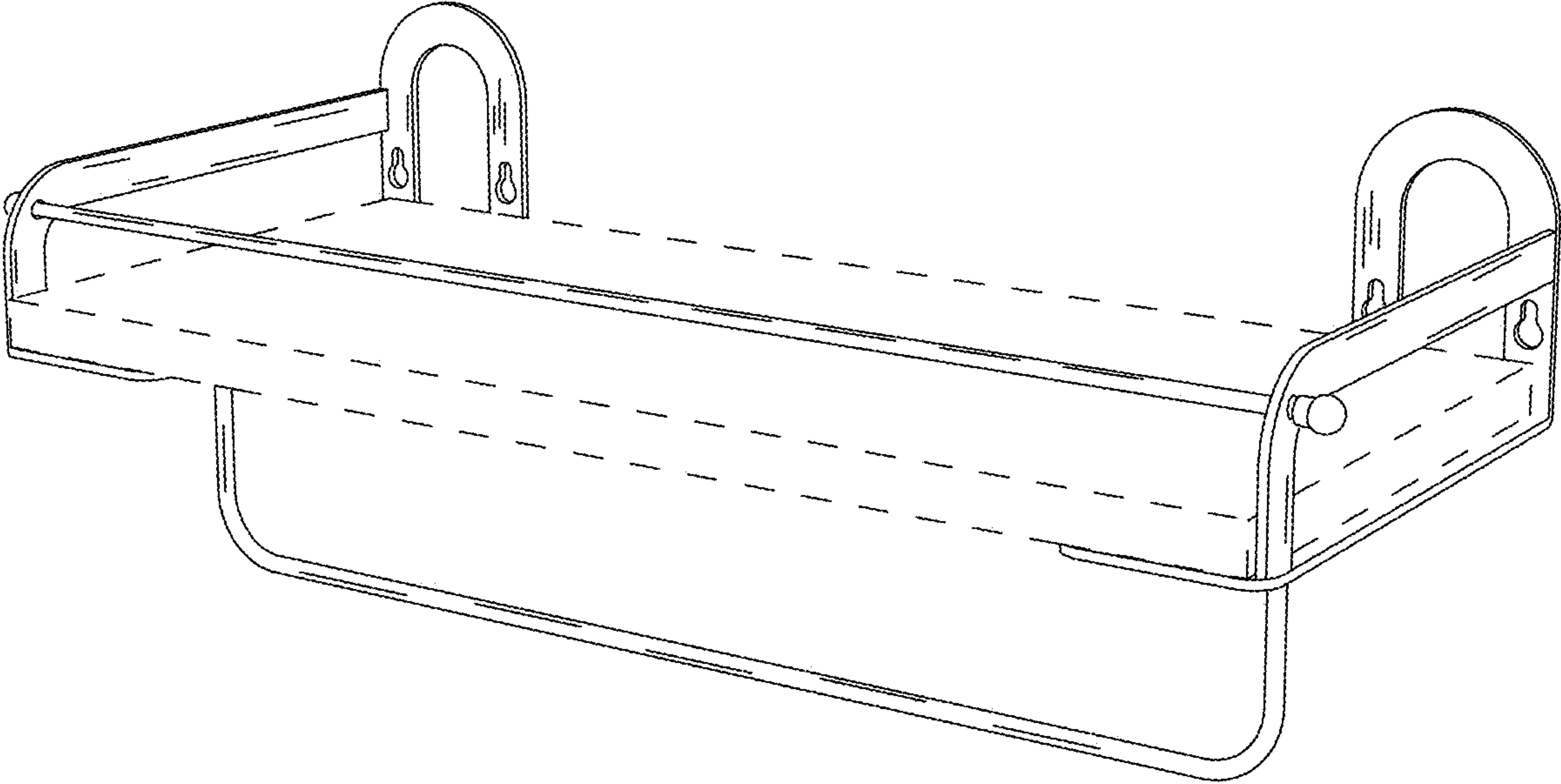


Fig. 1

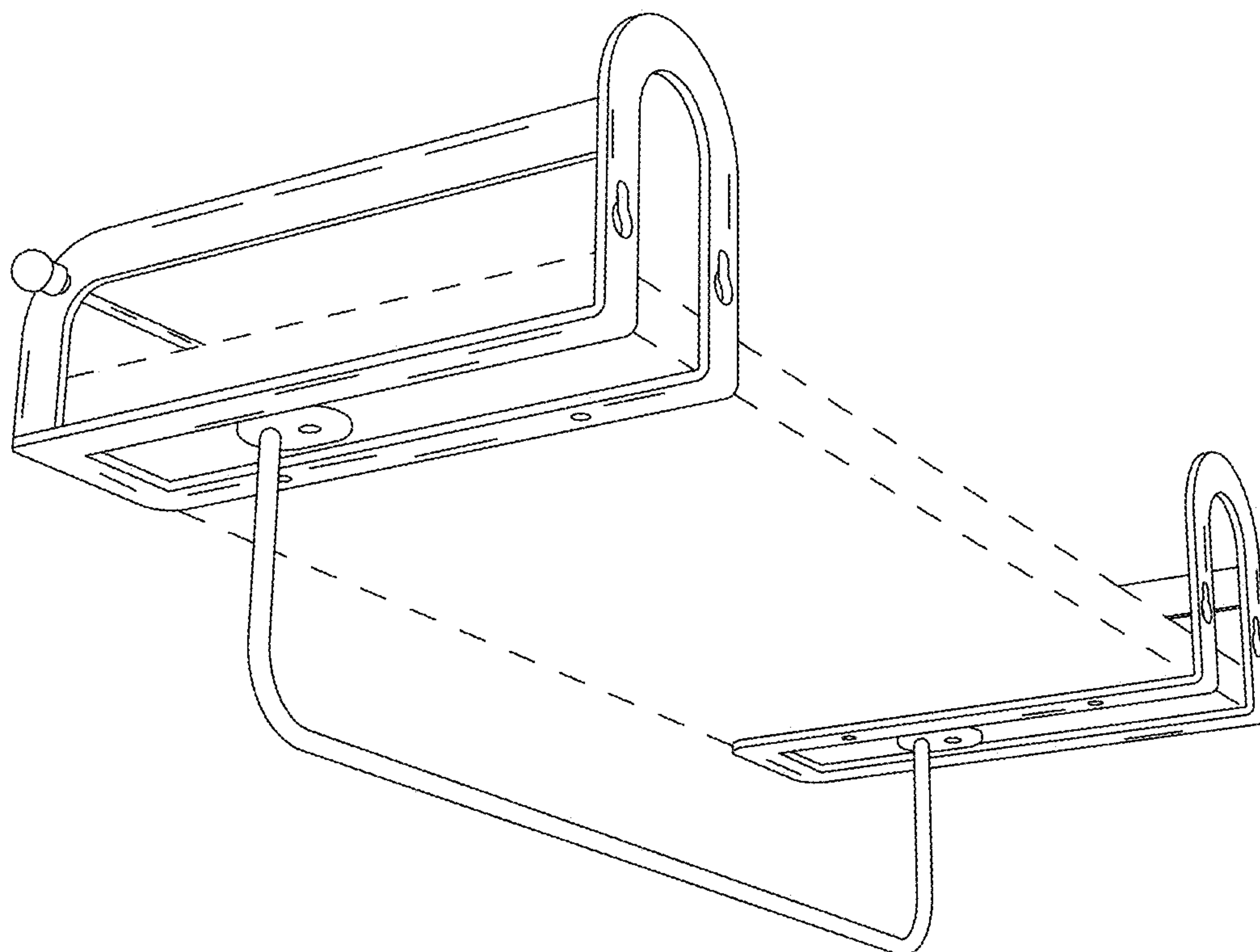


Fig. 2

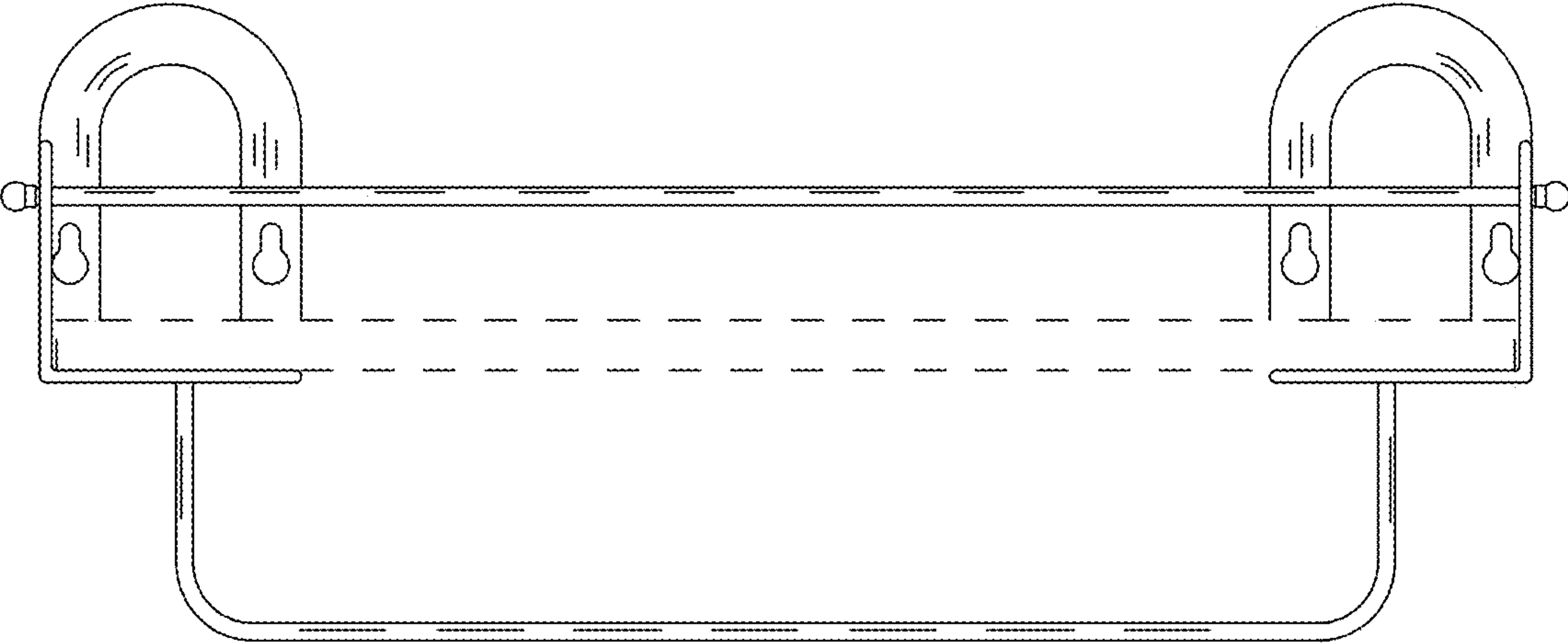


Fig. 3

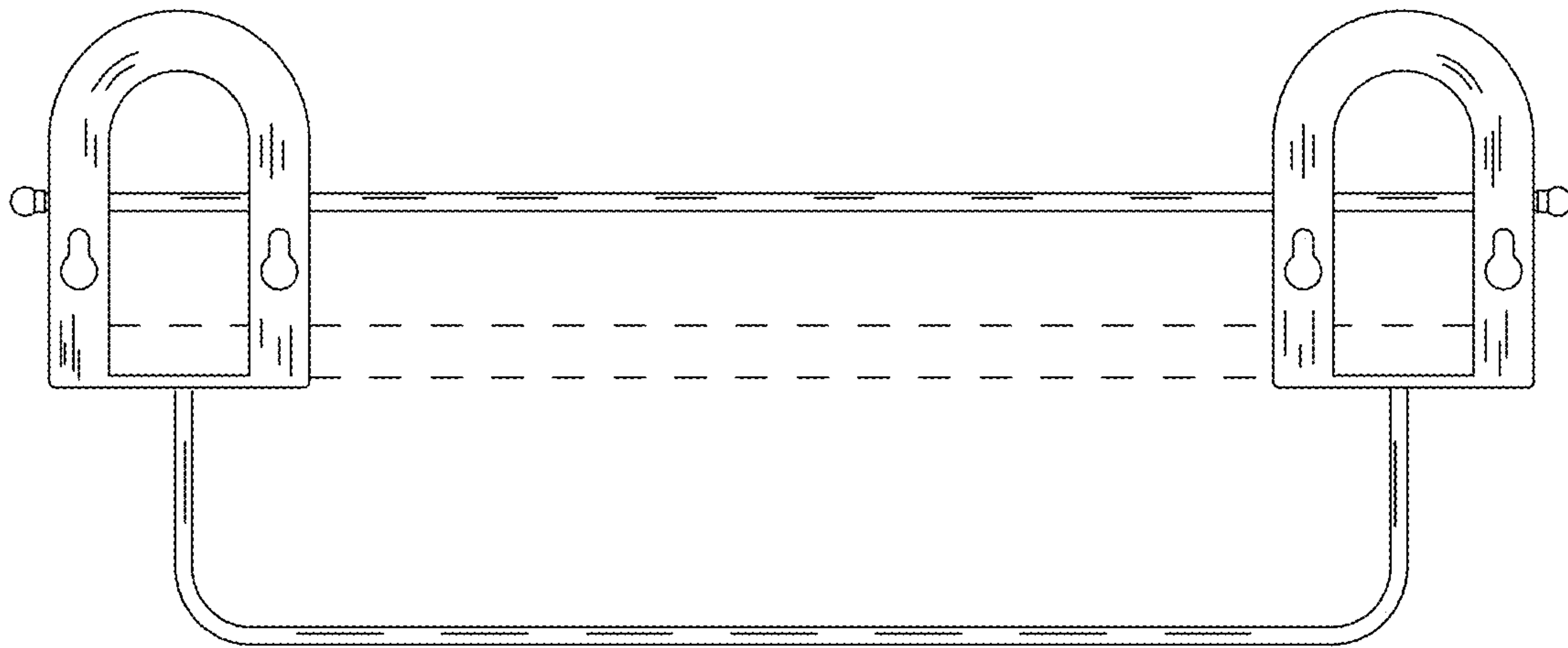


Fig. 4

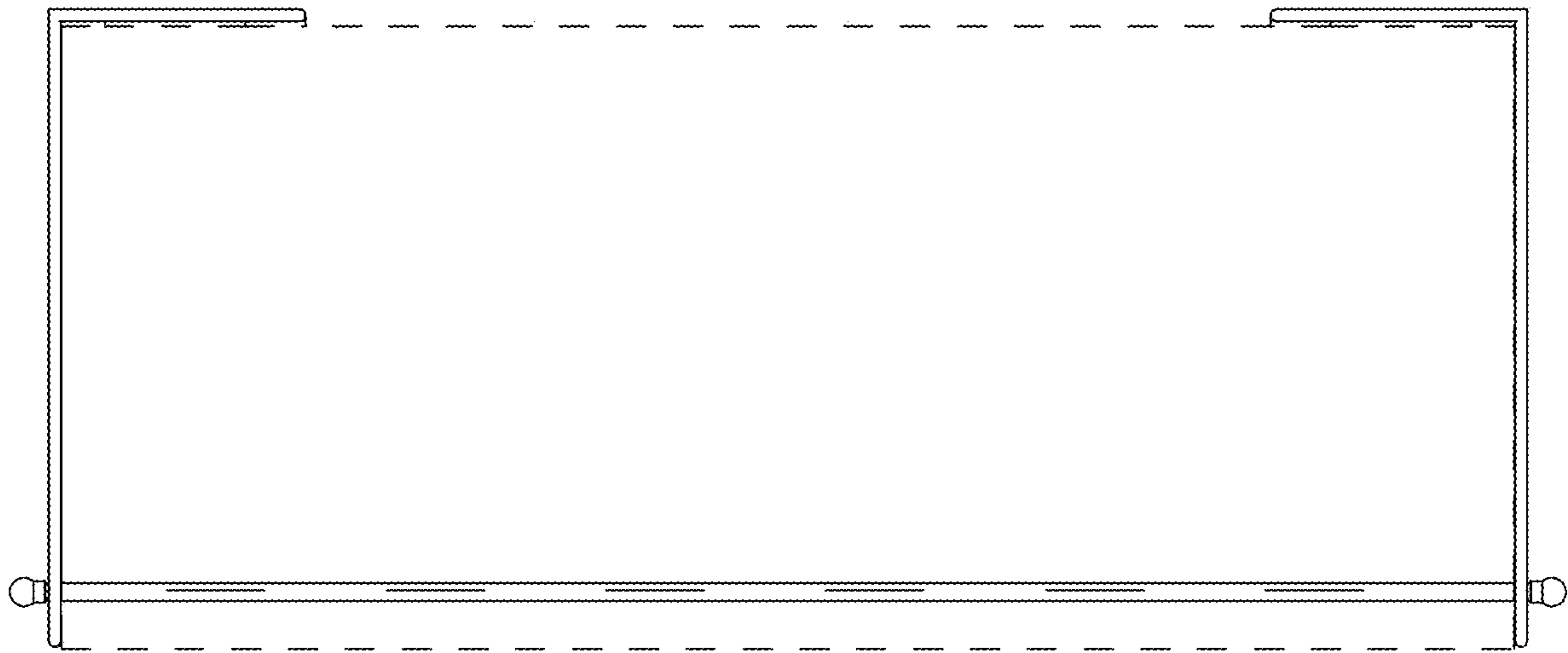


Fig. 5

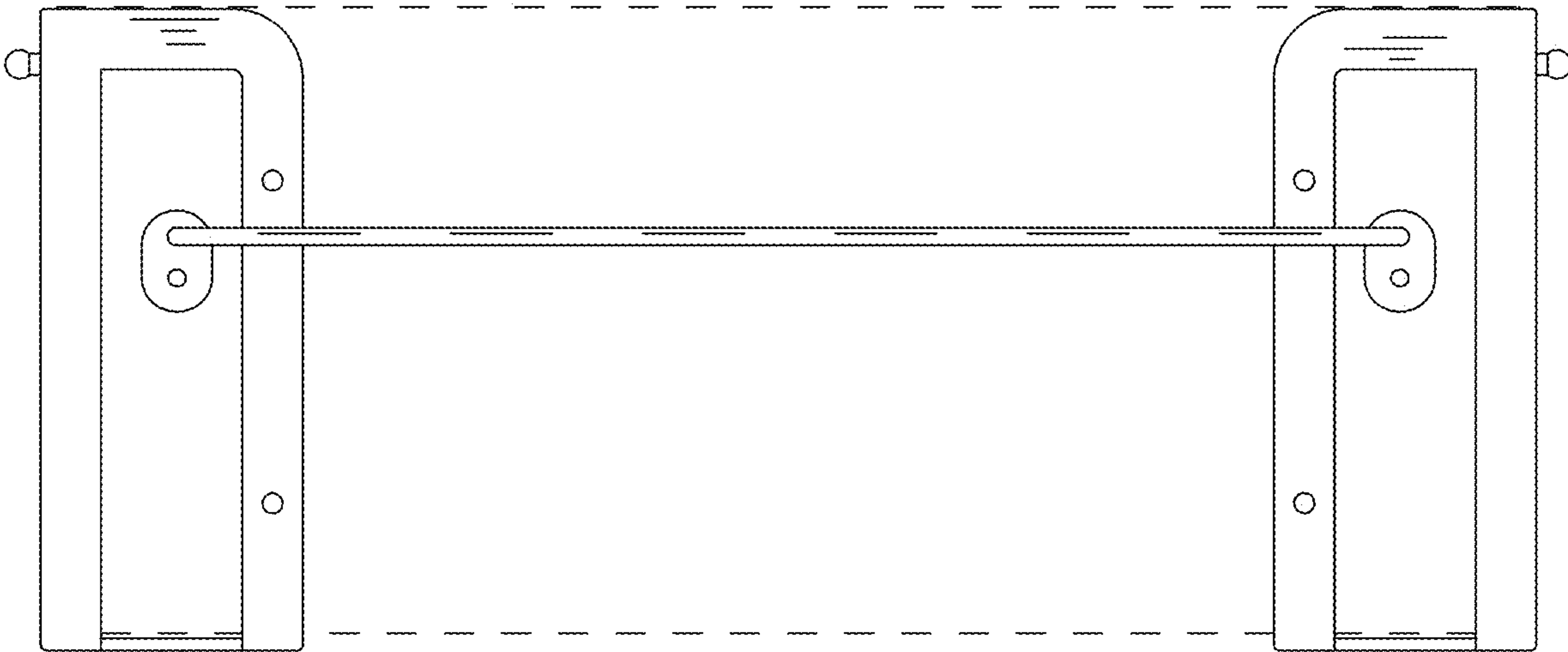


Fig. 6

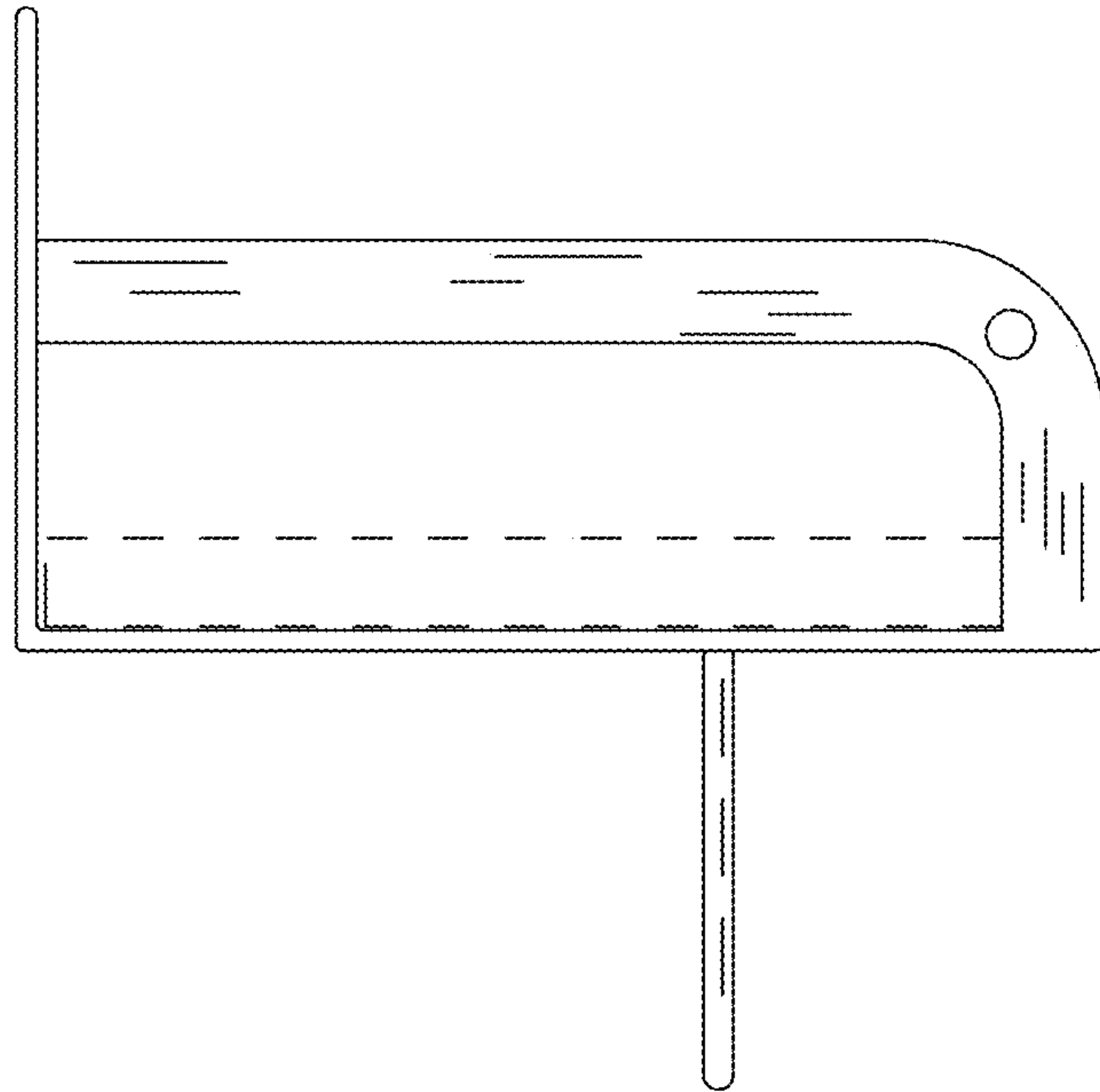


Fig. 7

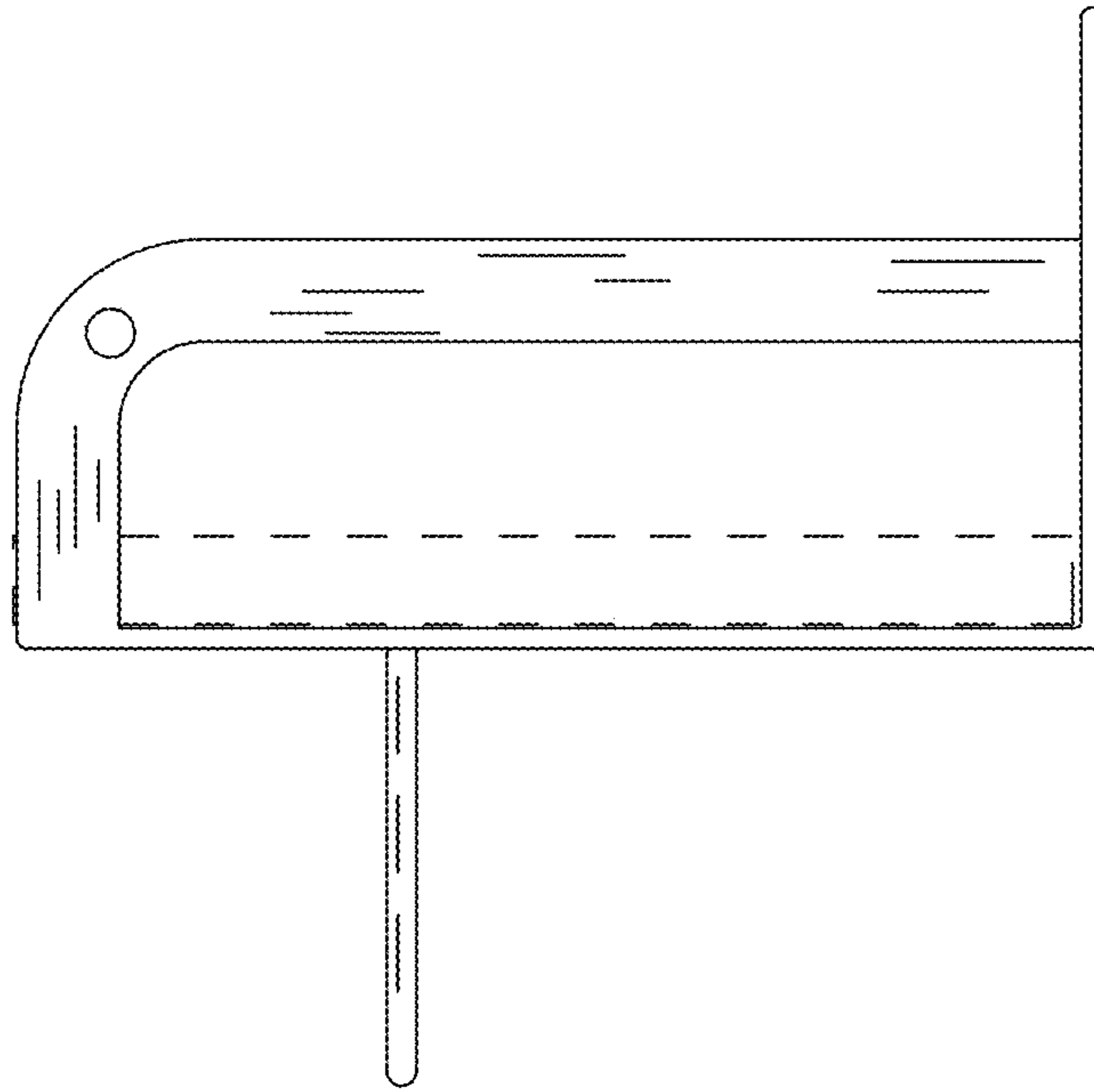


Fig. 8