



US00D935800S

(12) **United States Design Patent** (10) **Patent No.:** **US D935,800 S**
Chen (45) **Date of Patent:** **** Nov. 16, 2021**

(54) **TOILET PAPER HOLDER STAND**

(71) Applicant: **Xiufeng Chen**, Fujian (CN)

(72) Inventor: **Xiufeng Chen**, Fujian (CN)

(**) Term: **15 Years**

(21) Appl. No.: **29/767,588**

(22) Filed: **Jan. 24, 2021**

(51) **LOC (13) Cl.** **20-02**

(52) **U.S. Cl.**
USPC **D6/523**

(58) **Field of Classification Search**
USPC D6/515-523; D3/201; 211/16, 85.5,
211/59.2; 221/92, 97, 185, 282-284;
242/159, 160.2, 550, 560, 590, 595, 588,
242/598
CPC .. G06Q 10/087; G07C 9/00912; A47B 81/00;
A47B 81/067; G06K 7/10297; A47K
10/34; A47K 2010/3233; A47K 10/38;
A47K 2010/328

See application file for complete search history.

(56) **References Cited**

U.S. PATENT DOCUMENTS

D77,044 S *	11/1928	Steiner	D6/329
D87,356 S *	7/1932	Post	D6/329
D356,459 S *	3/1995	Echeverri	D6/520
6,302,350 B1 *	10/2001	Burrell	A47K 10/38 242/560
D482,914 S *	12/2003	Prasad	D6/515
D502,348 S *	3/2005	Mendini	D6/553
D508,354 S *	8/2005	D'Agostino	D6/520
D547,983 S *	8/2007	Jackson, III	D6/520
D625,536 S *	10/2010	Moed	D6/518
D660,626 S *	5/2012	Garner	D6/520

D660,627 S *	5/2012	Garner	D6/520
D783,318 S	4/2017	Alvarez		
D817,512 S	5/2018	Menon et al.		
D871,100 S *	12/2019	Trunsky	D6/518
2008/0296331 A1 *	12/2008	Kiosk	B60R 7/02 224/547

OTHER PUBLICATIONS

Amazon.com, Toilet Paper Holder Stand Black by Aojezor, Jan. 20, 2021, <https://www.amazon.com/Aojezor-Bathroom-Storage-Cabinet-Organizer/dp/B08TJ18XVG/> (Year: 2021).*

* cited by examiner

Primary Examiner — Nathan M Johnston
(74) *Attorney, Agent, or Firm* — ScienBiziP, P.C.

(57) **CLAIM**

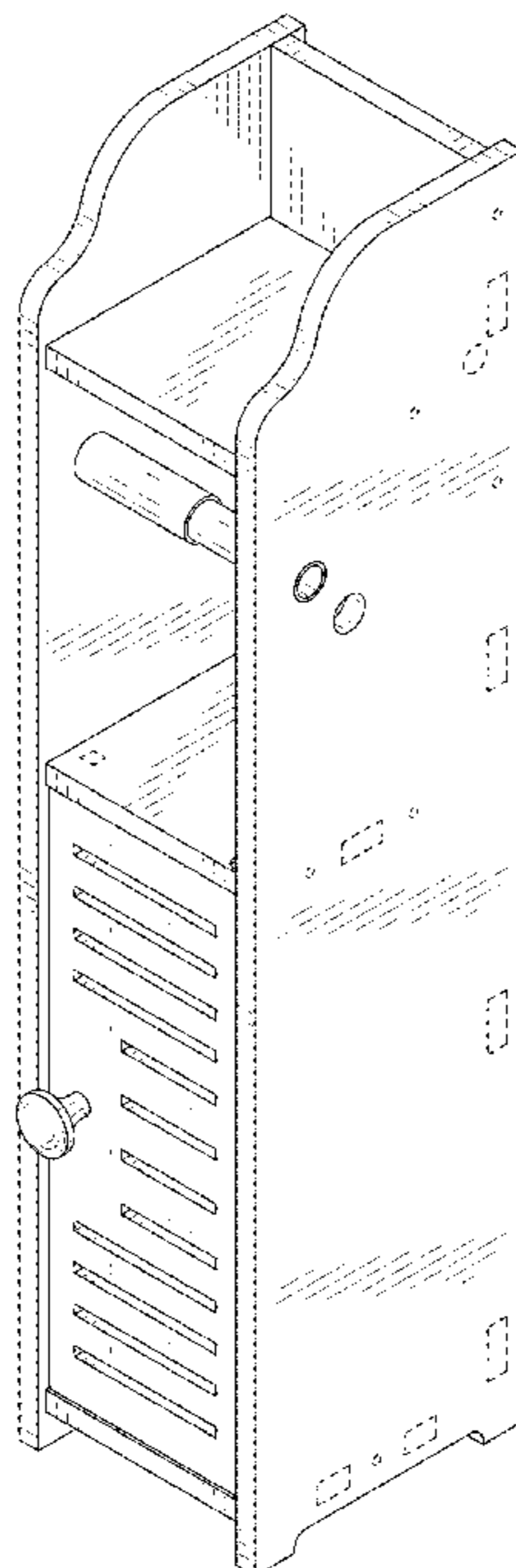
The ornamental design for a toilet paper holder stand, as shown and described.

DESCRIPTION

FIG. 1 is a front, right, and top perspective view of a toilet paper holder stand, showing my design.
FIG. 2 is a front elevation view thereof.
FIG. 3 is a rear elevation view thereof.
FIG. 4 is a left side elevation view thereof.
FIG. 5 is a right side elevation view thereof.
FIG. 6 is a top plan view thereof.
FIG. 7 is a bottom plan view thereof; and,
FIG. 8 is a perspective view of the toilet paper holder stand of FIG. 1 wherein a top-panel and a door of the toilet paper holder stand are open.

The broken lines shown in the drawings are included for the purpose of illustrating portions of the toilet paper holder stand that form no part of the claimed design.

1 Claim, 8 Drawing Sheets



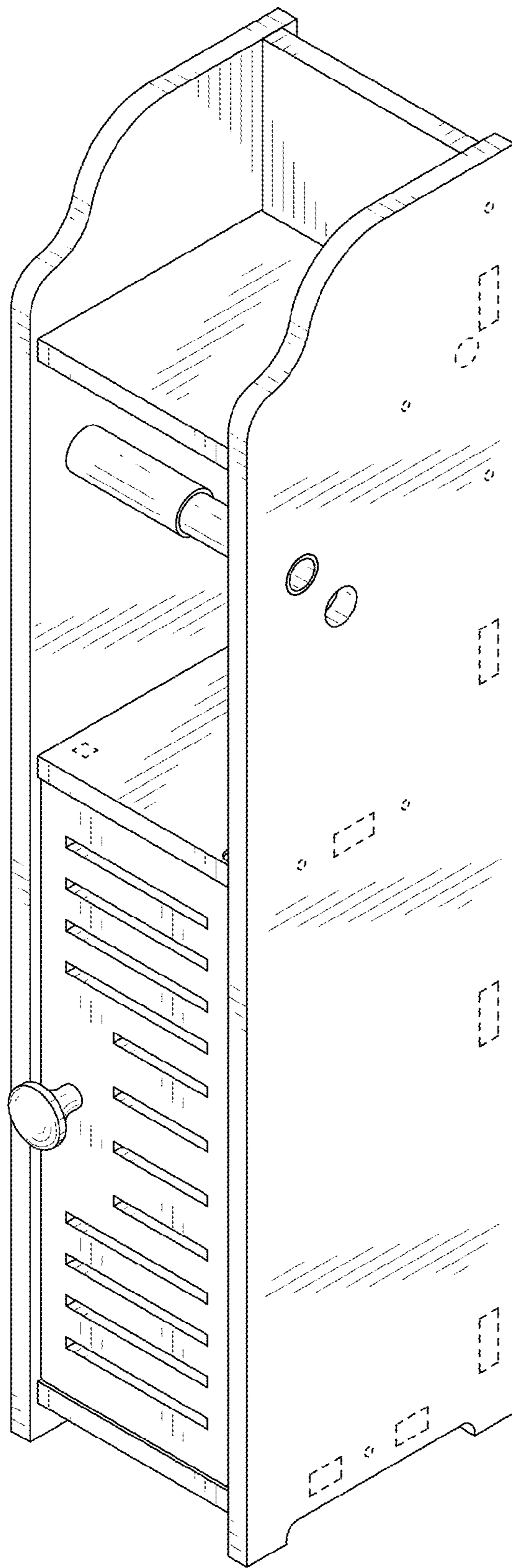


FIG. 1

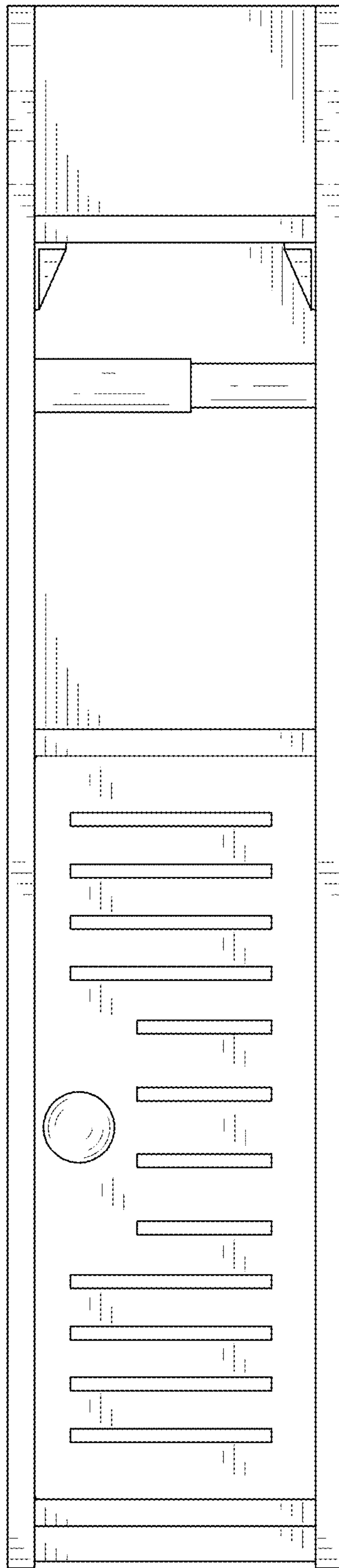


FIG. 2

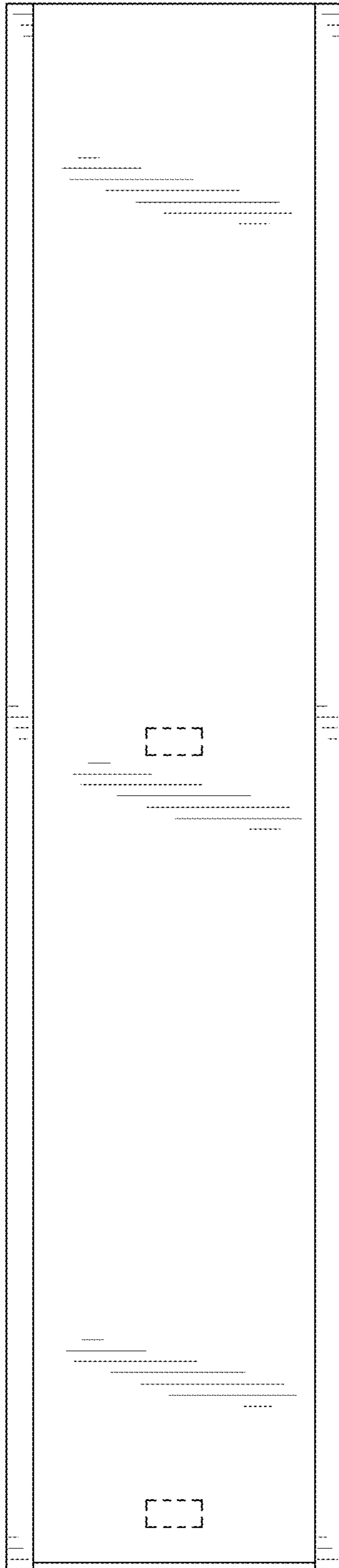


FIG. 3

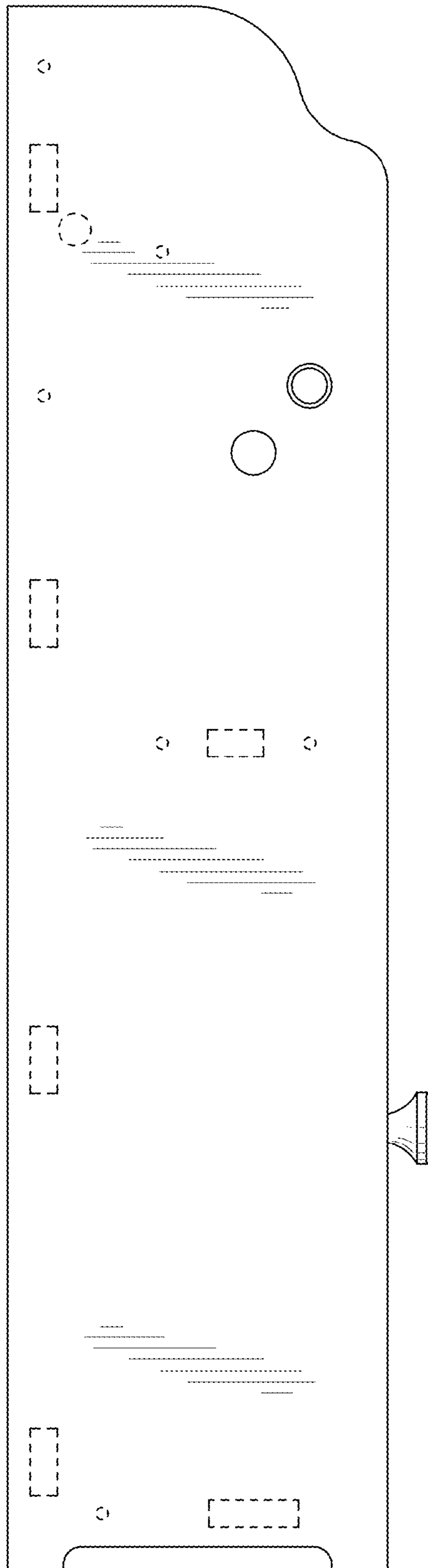


FIG. 4

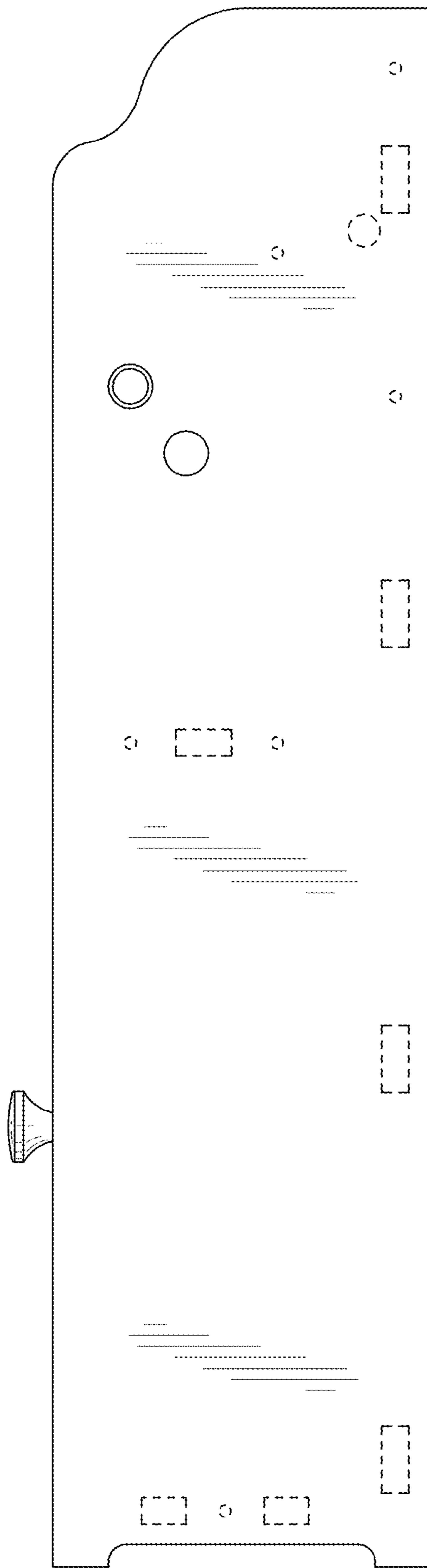


FIG. 5

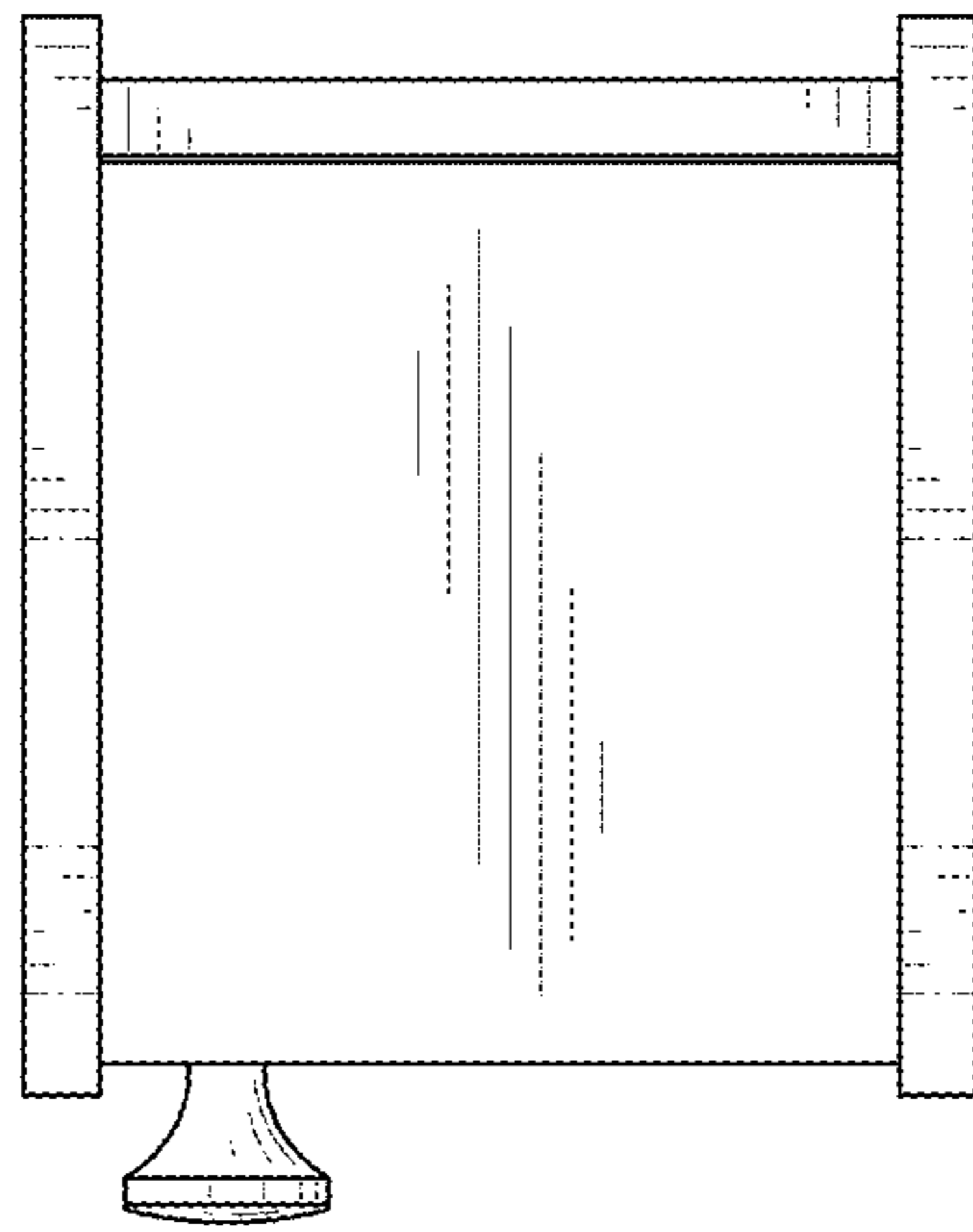


FIG. 6

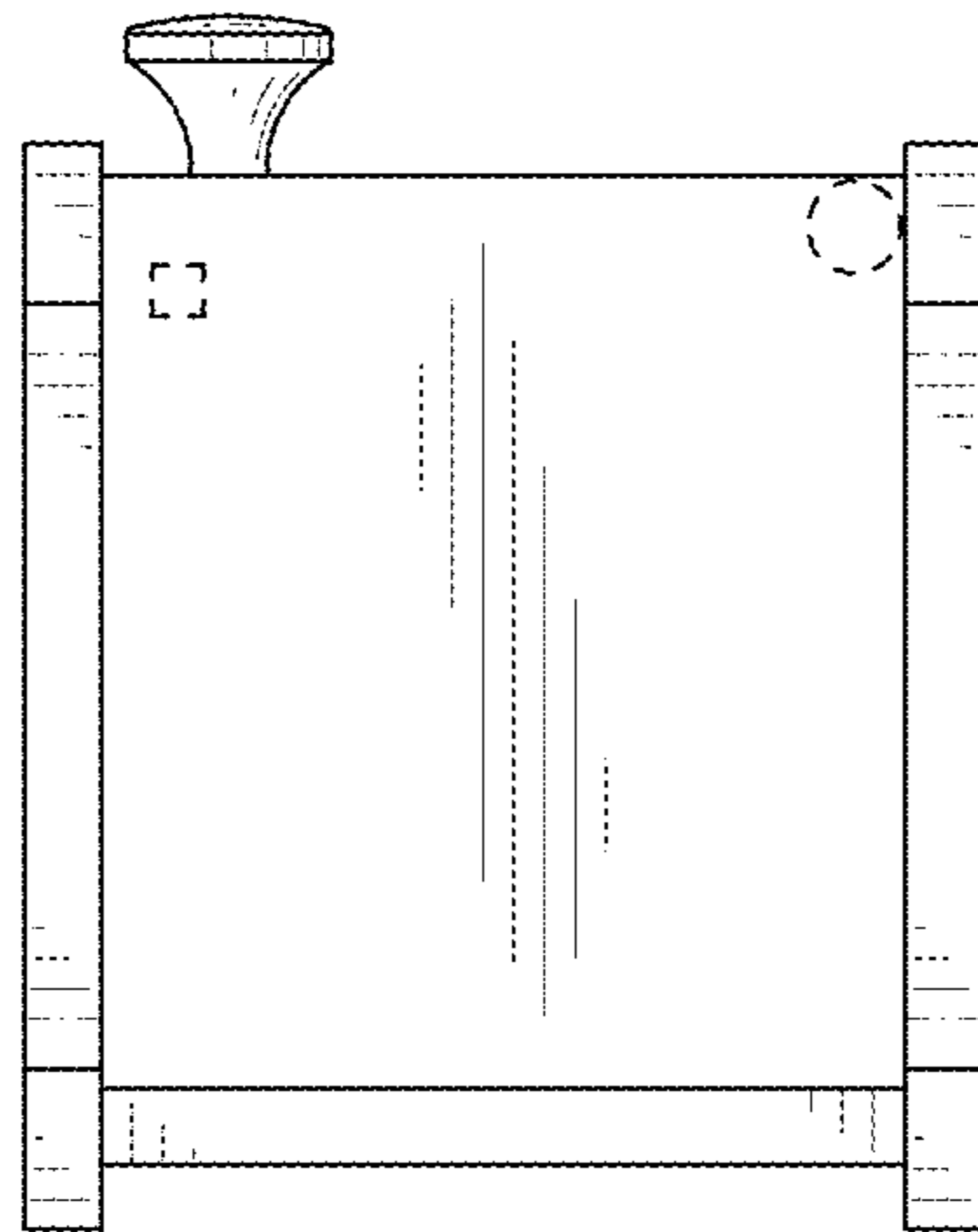


FIG. 7

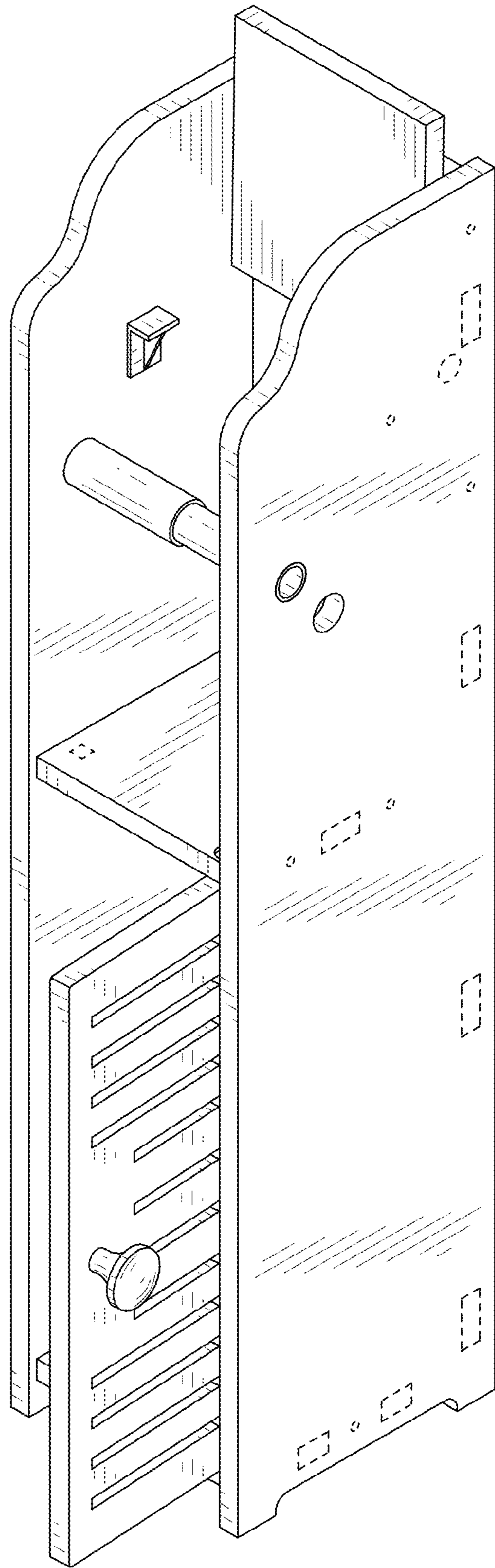


FIG. 8