



US00D935799S

(12) **United States Design Patent** (10) **Patent No.:** **US D935,799 S**
Angel et al. (45) **Date of Patent:** **** Nov. 16, 2021**

(54) **SHOPPING BAG CANISTER**
(71) Applicant: **CAMCO MANUFACTURING, INC.**,
Greensboro, NC (US)
(72) Inventors: **Bruce Andrew Angel**, Stokesdale, NC
(US); **Brandon Wayne Blakely**,
Burlington, NC (US); **Blake Martin**,
Greensboro, NC (US); **Austin Hugh**
McGugan, Greensboro, NC (US)

(73) Assignee: **Camco Manufacturing, LLC**,
Greensboro, NC (US)

(**) Term: **15 Years**

(21) Appl. No.: **29/704,169**

(22) Filed: **Sep. 3, 2019**

(51) **LOC (13) Cl.** **06-06**

(52) **U.S. Cl.**
USPC **D6/518**

(58) **Field of Classification Search**
USPC D6/518; D3/215, 201; 206/408-409,
206/554; 221/45-46, 145, 155, 163
CPC A47K 10/3818; A47K 10/46; A47K 10/47;
A47K 2010/3266; B65D 33/002; B65D
85/672; B65D 83/0841; B65H 35/002
See application file for complete search history.

(56) **References Cited**

U.S. PATENT DOCUMENTS

- 5,135,134 A * 8/1992 Dancy B65H 35/002
221/155
- 5,908,138 A * 6/1999 Vlahakis B65D 83/0841
221/63
- 6,003,669 A * 12/1999 Baricevic B65D 33/002
206/408
- 6,076,717 A * 6/2000 Edwards A01K 27/004
225/106
- 7,556,175 B2 * 7/2009 Simkins A47K 10/3818
206/409
- D654,739 S * 2/2012 Chin D6/518
- D718,553 S * 12/2014 Gnanendran D6/518

- D878,074 S * 3/2020 Lan D6/518
- D922,759 S * 6/2021 Valletta D3/201
- 2008/0110920 A1 * 5/2008 Hlista B65D 83/0841
221/45

(Continued)

FOREIGN PATENT DOCUMENTS

WO WO 2005/120322 A2 * 12/2005 A47K 10/24

OTHER PUBLICATIONS

BagPodz Reusable Shopping Bags—Includes 5 Foldable Bags
Inside a Compact Pod with Carry Clip . . . https://www.amazon.com/dp/B00QJ9AD3A/ref=redir_mobile_desktop?_encoding=UTF8&aaxitk=71370e2b46edd2b75975a4927ab70f44&hsa_cr_id=5585793720901&pd_rd_plhdr=t&pd_rd_r=47232a4a-8876-4492-891b-ad82b606fda8&pd_rd_r=47232a4a-8876-4492-891b-ad82b606fda8&pd_rd_w=hdfOw&pd_rd_wg=GLwKO&ref=sbx_be_s_sparkle_td_asin_0_img (Year: 2015).*

Primary Examiner — Catherine R Oliver-Garcia
(74) *Attorney, Agent, or Firm* — Tuggle Duggins P.A.;
Blake P. Hurt

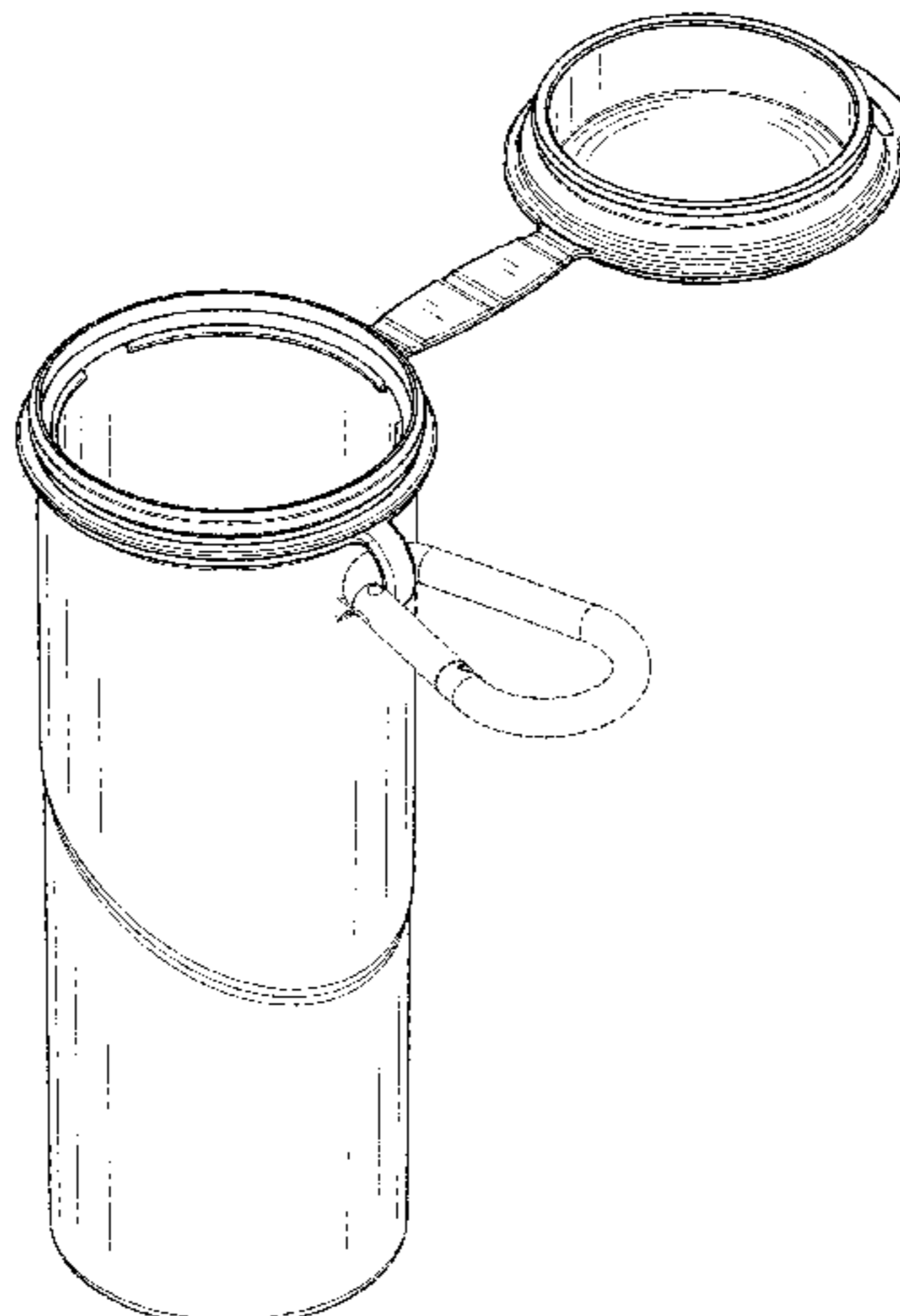
(57) **CLAIM**

The ornamental design for a shopping bag canister, as shown
and described.

DESCRIPTION

FIG. 1 is a top, front, right side perspective view of a
shopping bag canister showing our new design;
FIG. 2 is a bottom, rear, left side perspective view thereof;
FIG. 3 is a front elevational view thereof;
FIG. 4 is a rear elevational view thereof;
FIG. 5 is a top plan view thereof;
FIG. 6 is a bottom plan view thereof;
FIG. 7 is a left side elevational view thereof;
FIG. 8 is a right side elevational view thereof; and,
FIG. 9 is a cross-sectional view as taken along lines 3-3 of
FIG. 3.

(Continued)



The broken lines illustrate portions of the shopping bag canister that form no part of the claimed design.

1 Claim, 9 Drawing Sheets

(56)

References Cited

U.S. PATENT DOCUMENTS

2013/0068781 A1* 3/2013 Giammanco A47K 10/46
221/45

* cited by examiner

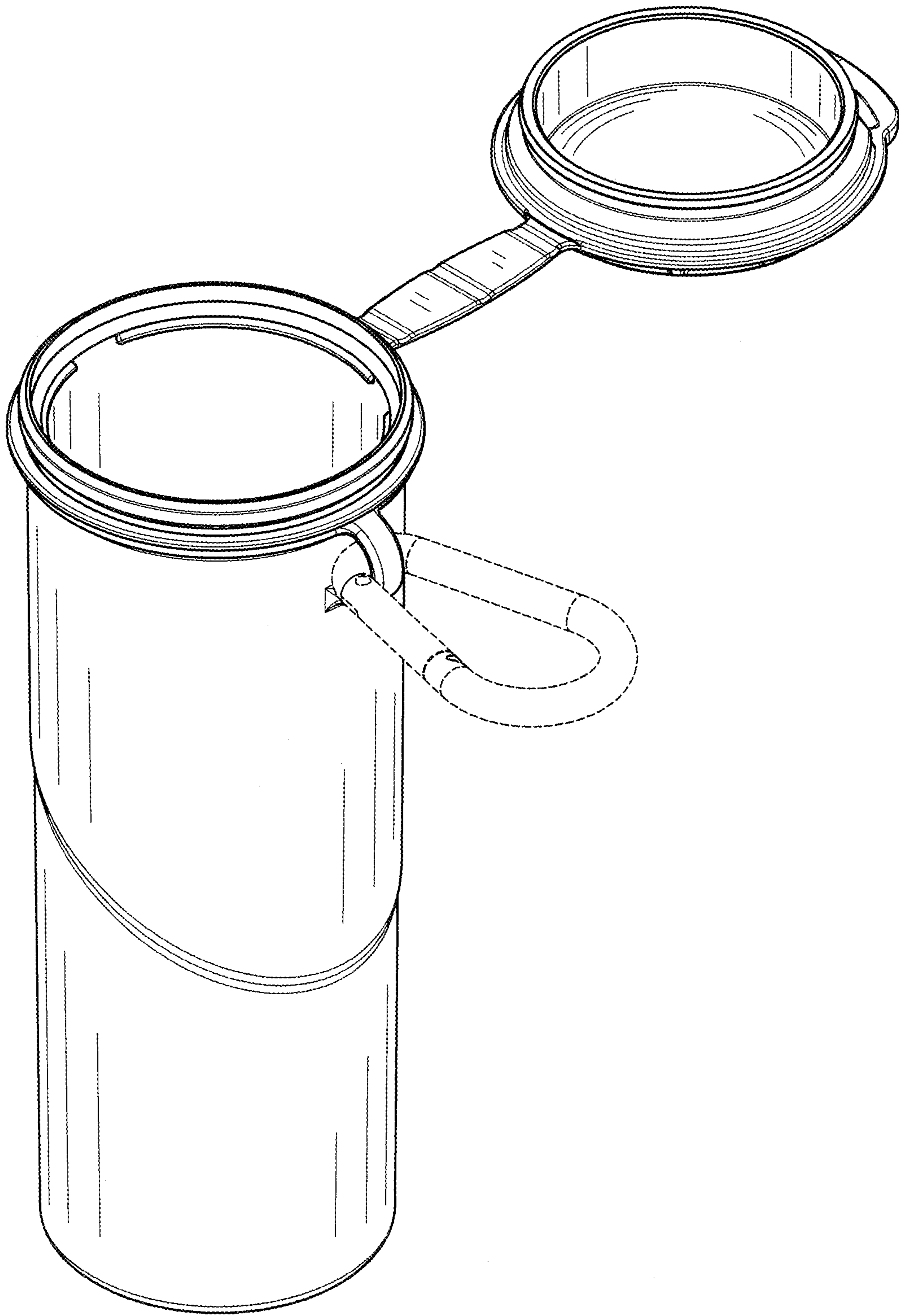


FIG. 1

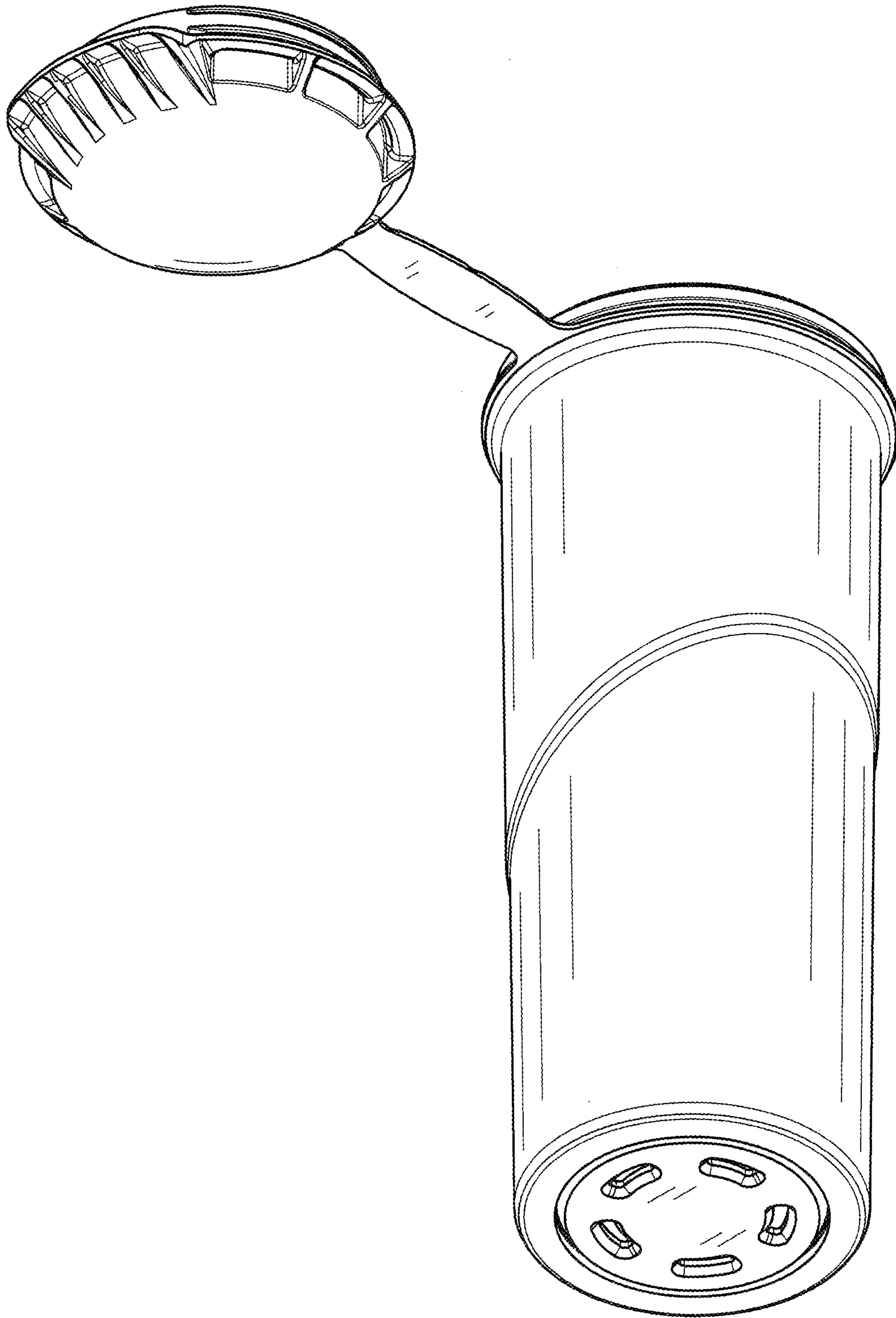


FIG. 2

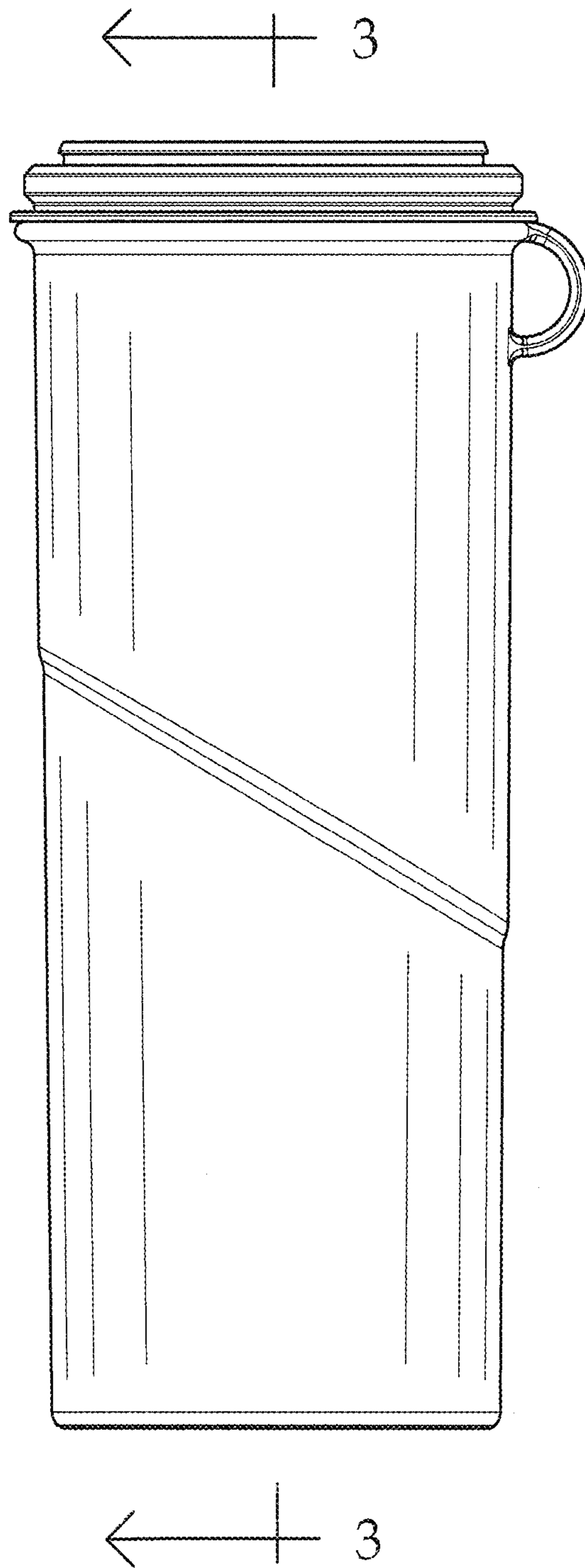


FIG. 3

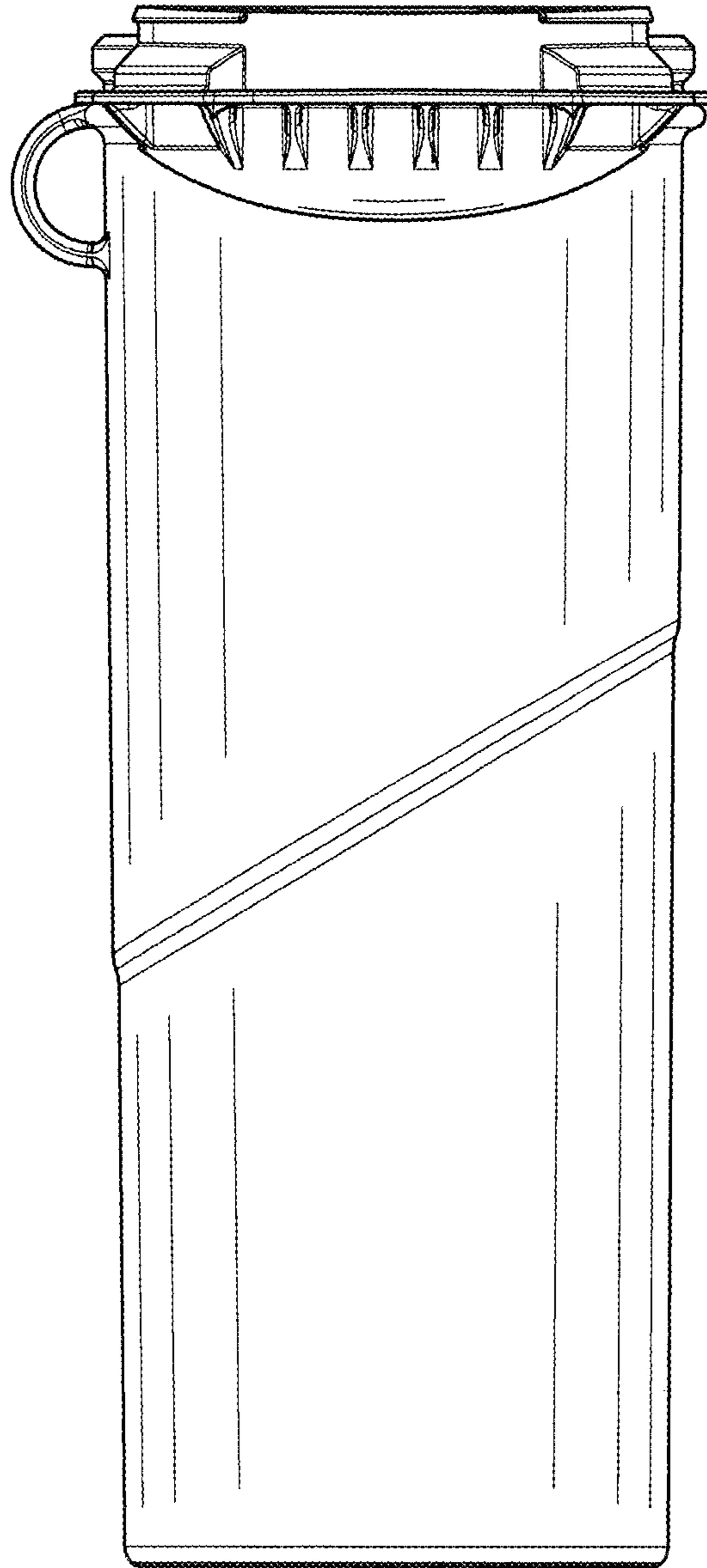


FIG. 4

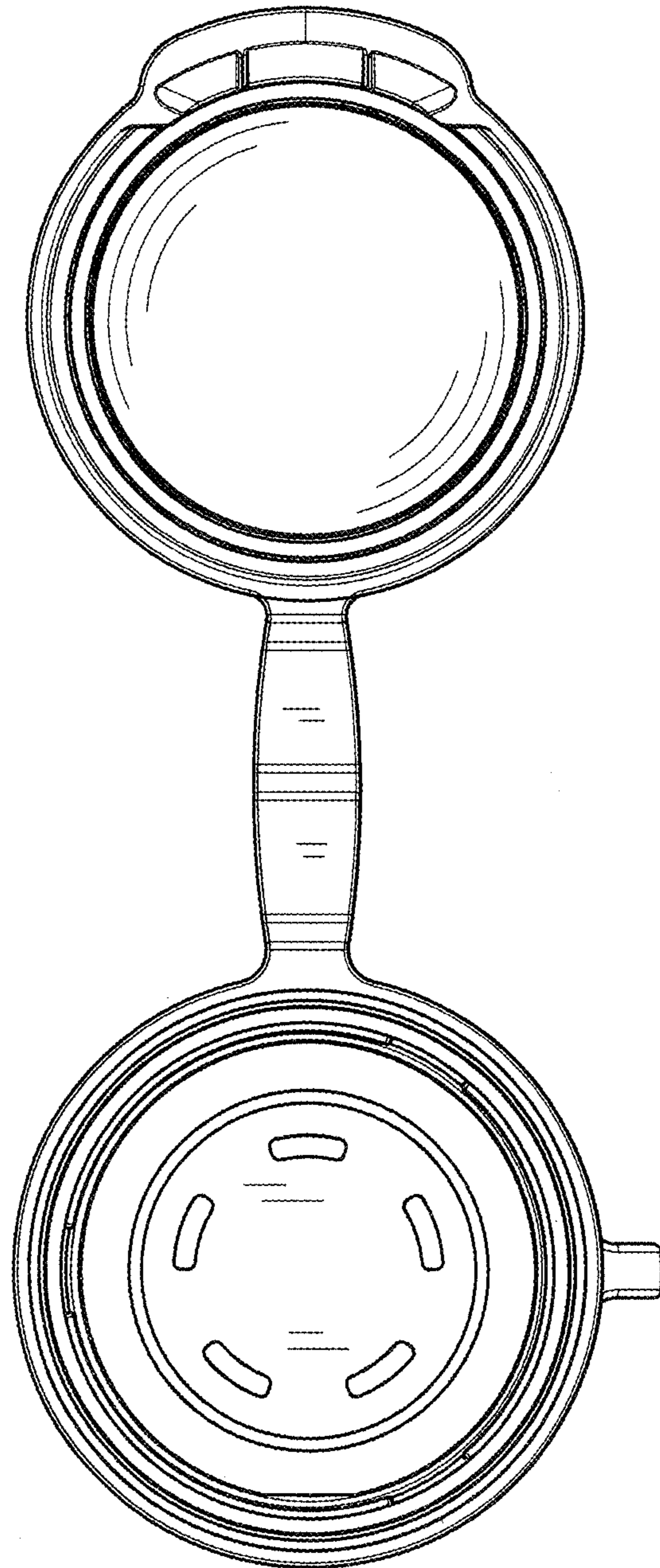


FIG. 5

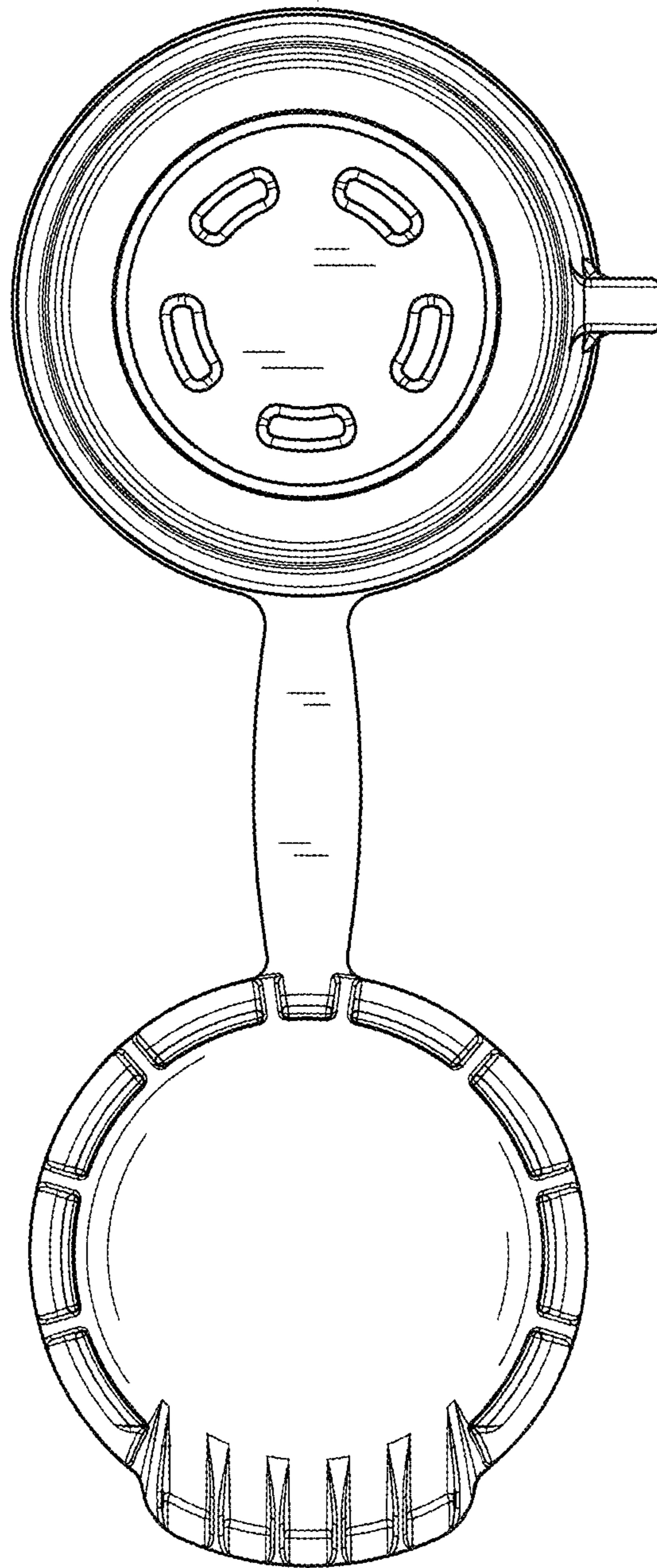


FIG. 6

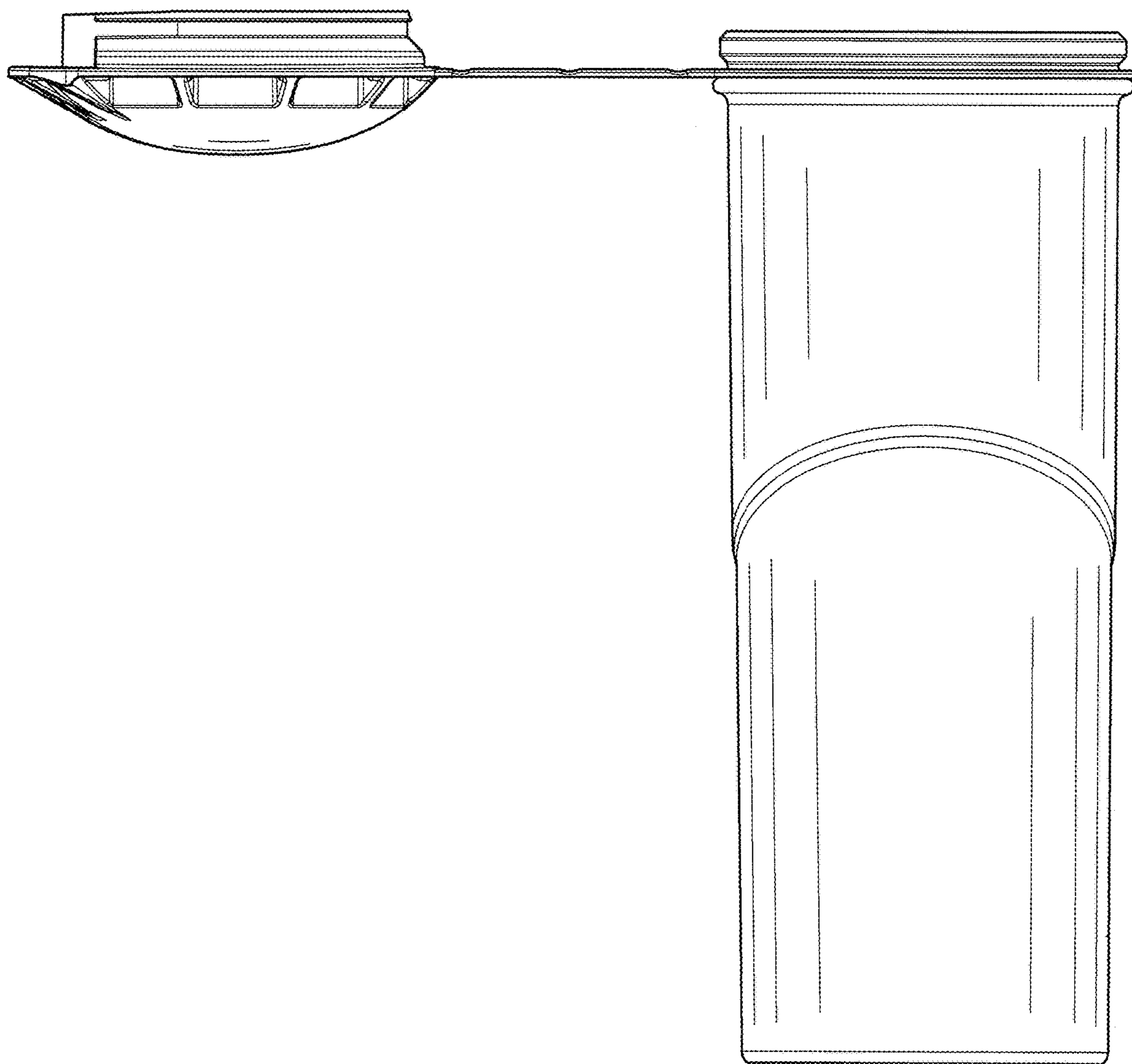


FIG. 7

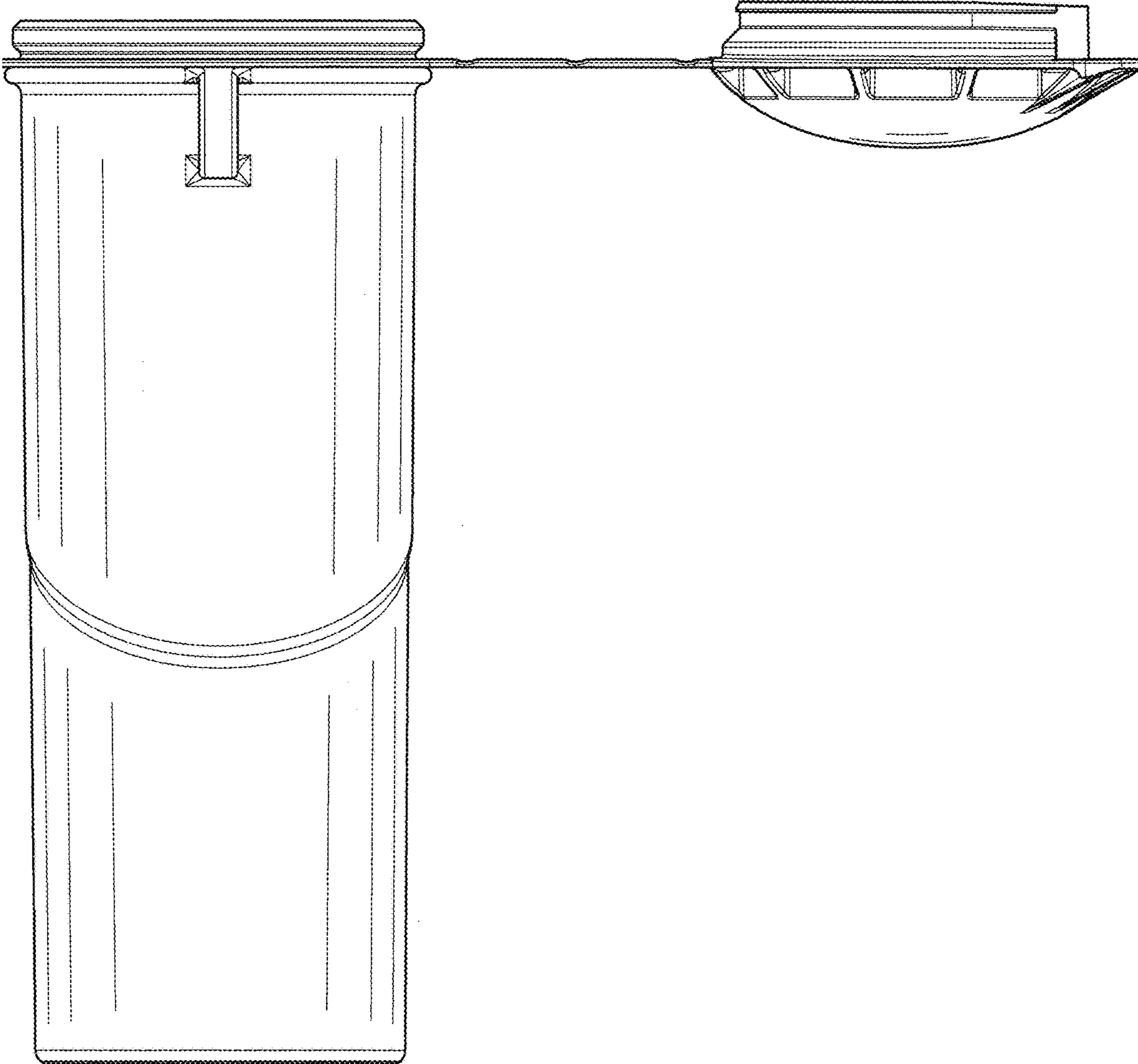


FIG. 8

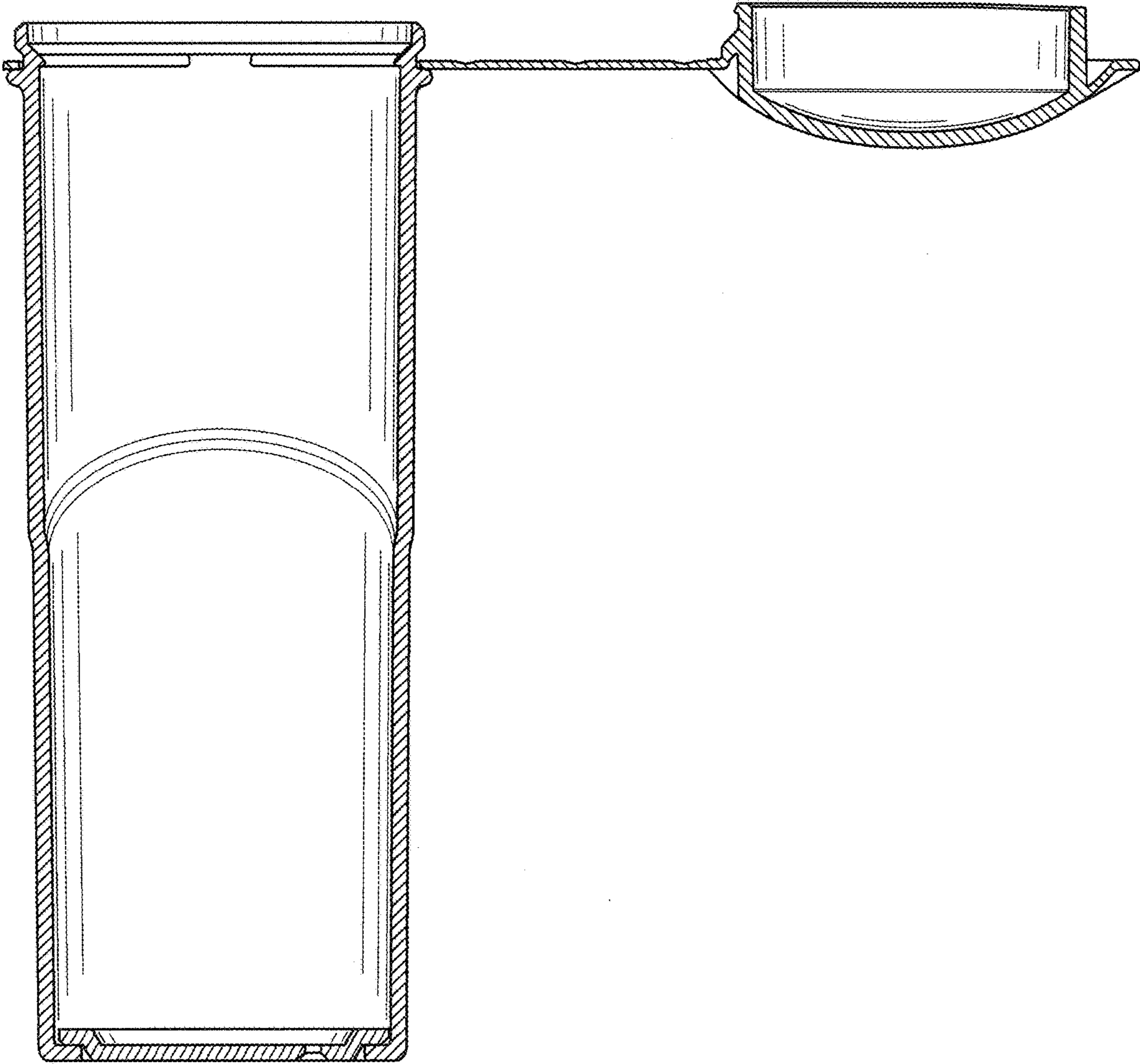


FIG. 9