



US00D935798S

(12) **United States Design Patent** (10) **Patent No.:** **US D935,798 S**
Carr (45) **Date of Patent:** **** Nov. 16, 2021**

(54) **PET WASTE BAG DISPENSER**

FOREIGN PATENT DOCUMENTS

(71) Applicant: **Steven Caldwell Carr**, Decatur, GA (US)

ES 1070279 U 10/2009

(72) Inventor: **Steven Caldwell Carr**, Decatur, GA (US)

OTHER PUBLICATIONS

Rosetylerr, Dog Poop Bag Barrell, thingiverse.com, Jan. 22, 2014.
Derringer, Doggie Barrell, dog-milk.com, Jan. 24, 2012.

(**) Term: **15 Years**

* cited by examiner

(21) Appl. No.: **29/701,885**

Primary Examiner — Wan Laymon
Assistant Examiner — Mark Booker

(22) Filed: **Aug. 15, 2019**

(51) **LOC (13) Cl.** **20-02**

(57) **CLAIM**

(52) **U.S. Cl.**
USPC **D6/518**

The ornamental design for a pet waste bag dispenser, as shown and described.

(58) **Field of Classification Search**
USPC D6/518, 515–517, 519–523; 206/391, 206/398; 211/13.1; 242/588.6, 598; 312/34.1, 34.8; D9/418, 501, 517
CPC A01K 23/00; E01H 1/1206; E01H 2001/126; E01H 2001/1273; E01H 2001/128; E01H 2001/1286; B65D 85/04; B65D 85/672; A47F 7/00; A47G 21/12; D05B 3/14; B66D 1/7492; B65H 49/205; A47K 10/025

DESCRIPTION

See application file for complete search history.

FIG. 1 is a front-top-right perspective view of a pet waste bag dispenser showing my new design; FIG. 2 is a front-bottom-left perspective view thereof; FIG. 3 is a rear-top-left perspective view thereof; FIG. 4 is a front elevational view thereof; FIG. 5 is a rear elevational view thereof; FIG. 6 is a top plan view thereof; FIG. 7 is a bottom view thereof; FIG. 8 is a reduced left-side elevational view thereof, the right-side elevational view being a reduced mirror image thereof; and, FIG. 9 is a reduced perspective view thereof shown attached to a lanyard via a swivel clip.

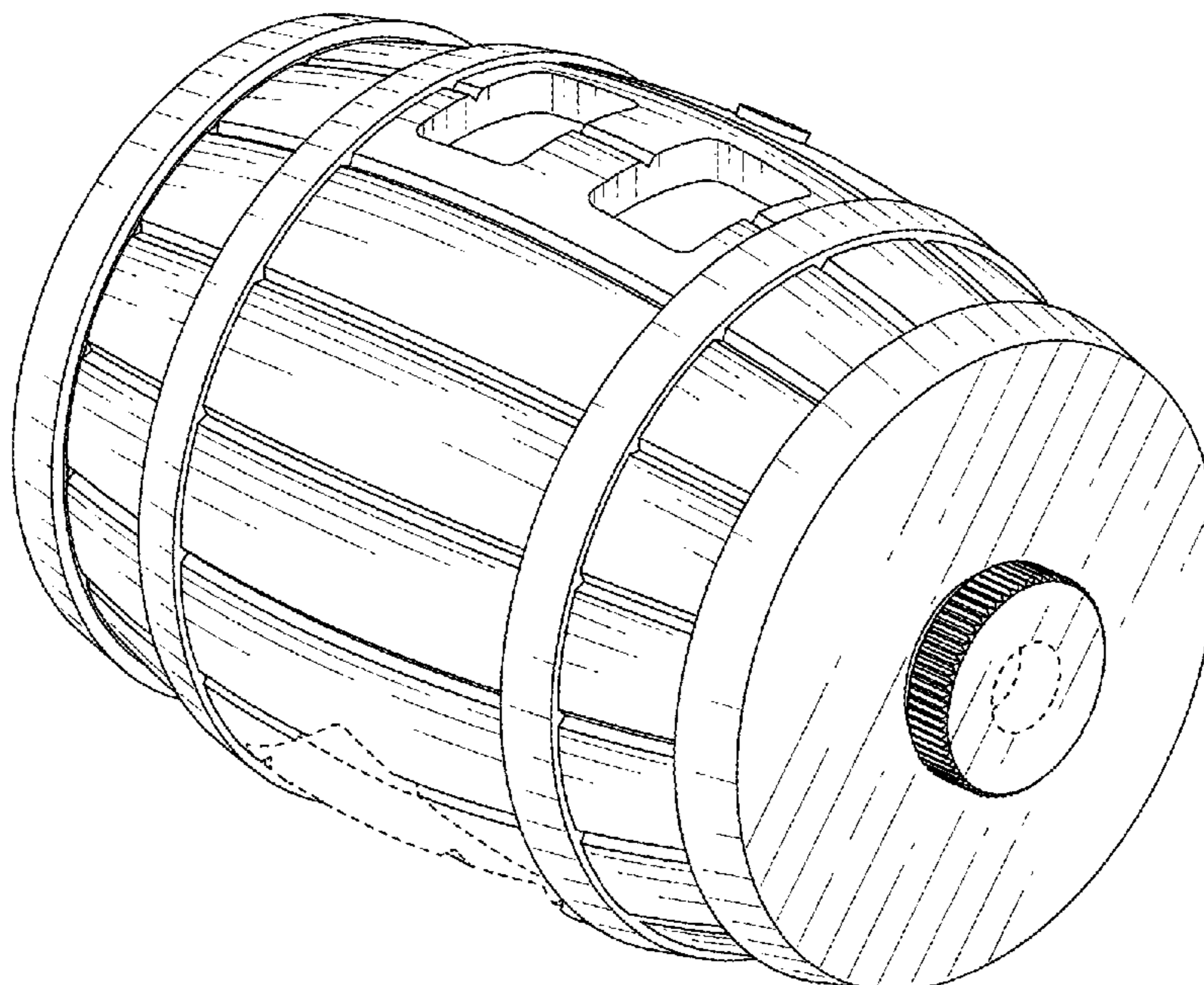
(56) **References Cited**

U.S. PATENT DOCUMENTS

D502,622 S *	3/2005	Berger	D6/515
D549,099 S *	8/2007	Edwards	D6/518
D576,433 S *	9/2008	Che	D30/153
D654,739 S *	2/2012	Chin	D6/518
D657,174 S *	4/2012	Yatscoff	D6/518
D718,553 S *	12/2014	Gnanendran	D6/518
D824,187 S *	7/2018	Haarburger	D6/518
D864,606 S *	10/2019	Barnett	D6/522

The broken lines shown in the figures represent portions of the pet waste bag dispenser that form no part of the claimed design. The broken line showing of the lanyard and the swivel clip in FIG. 9 represents environment and forms no part of the claimed design.

1 Claim, 9 Drawing Sheets



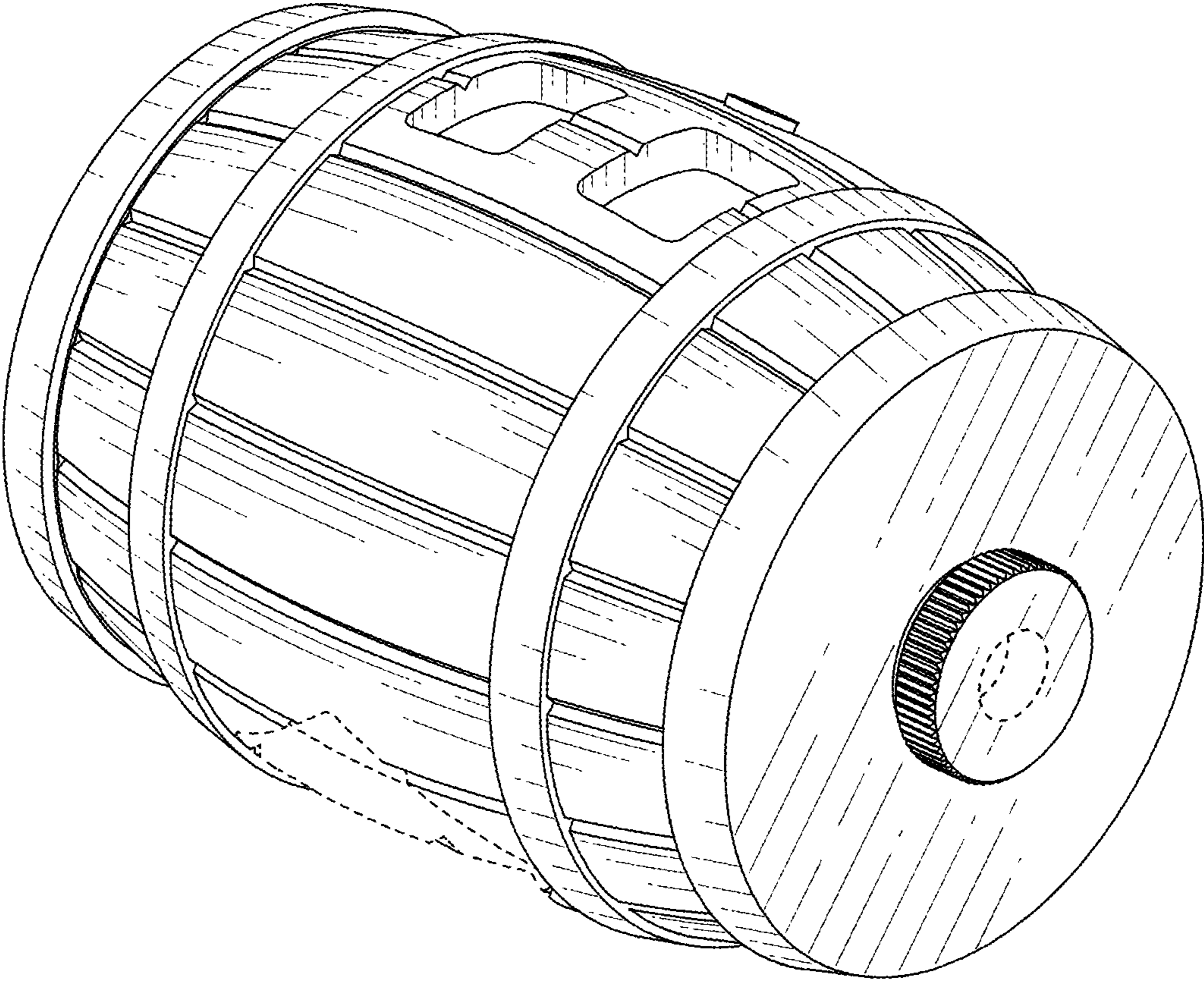


FIG. 1

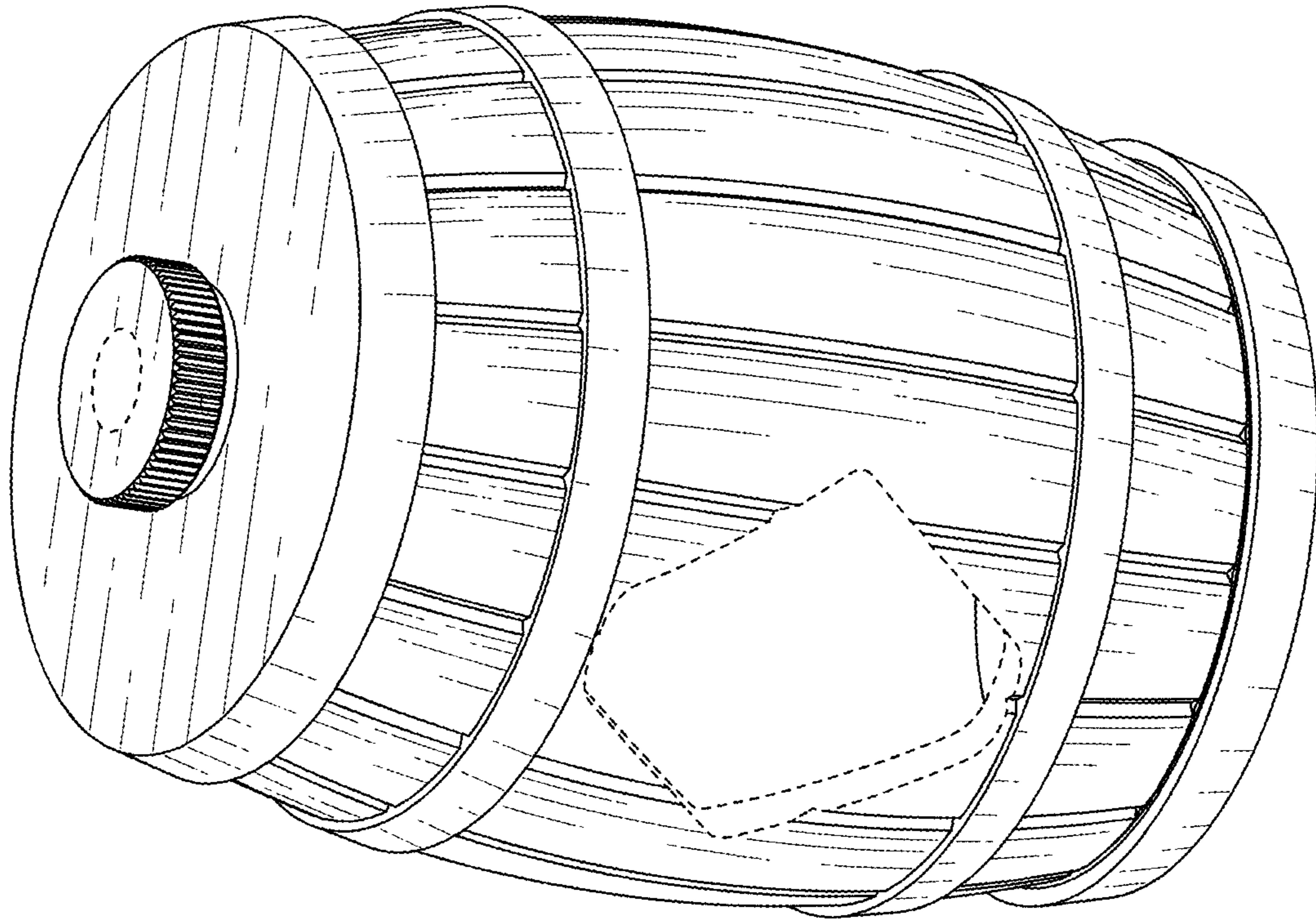


FIG. 2

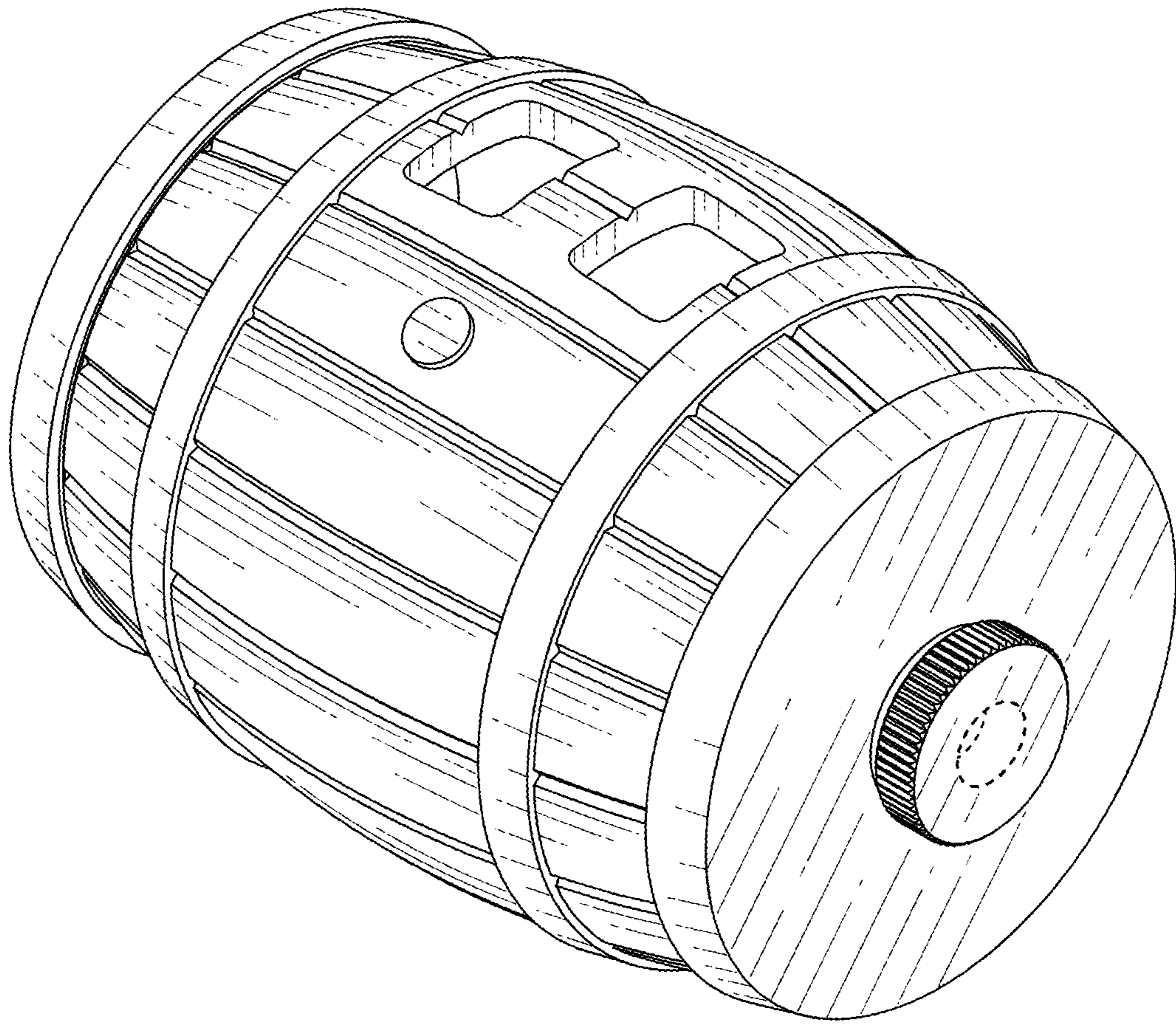


FIG. 3

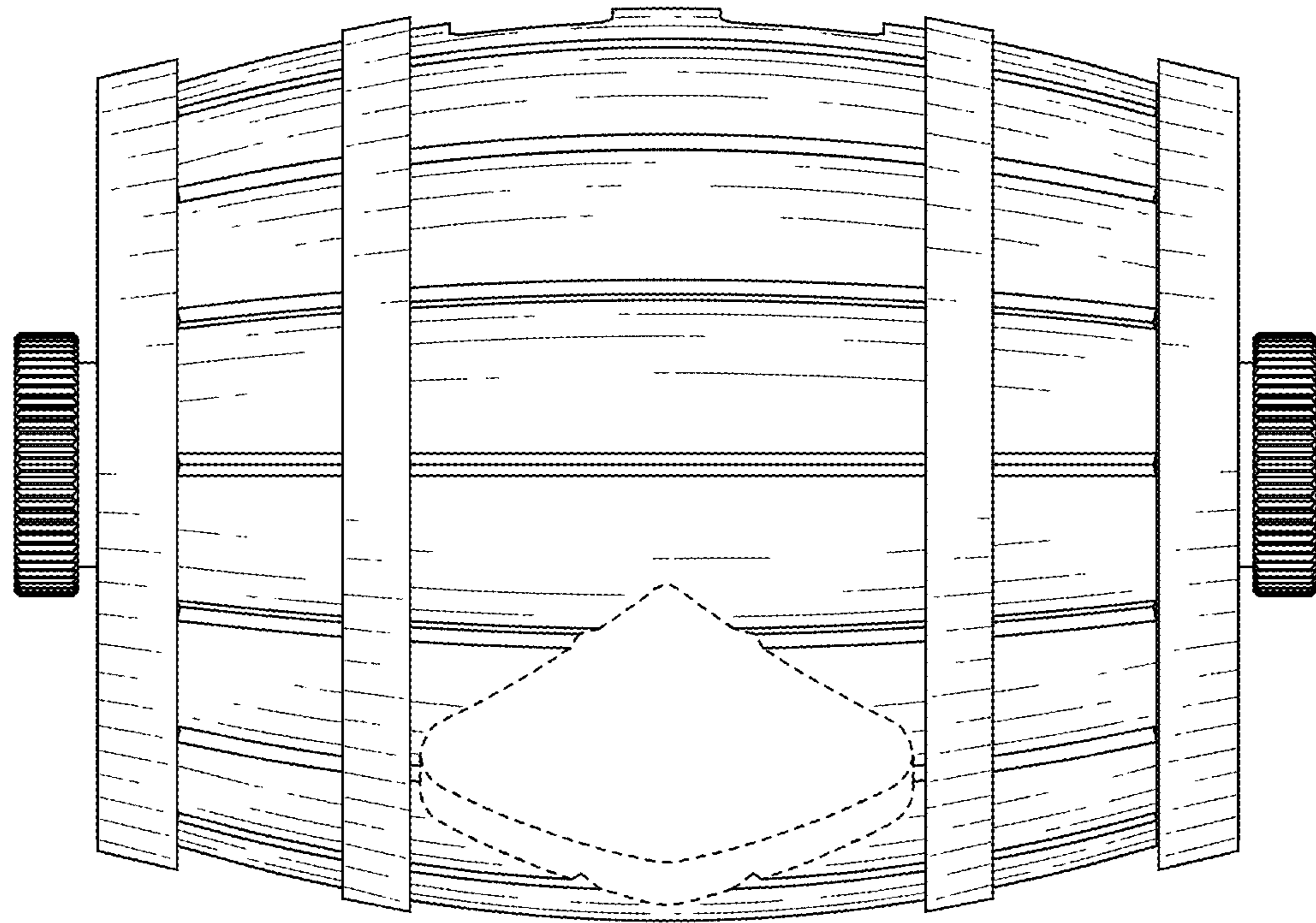


FIG. 4

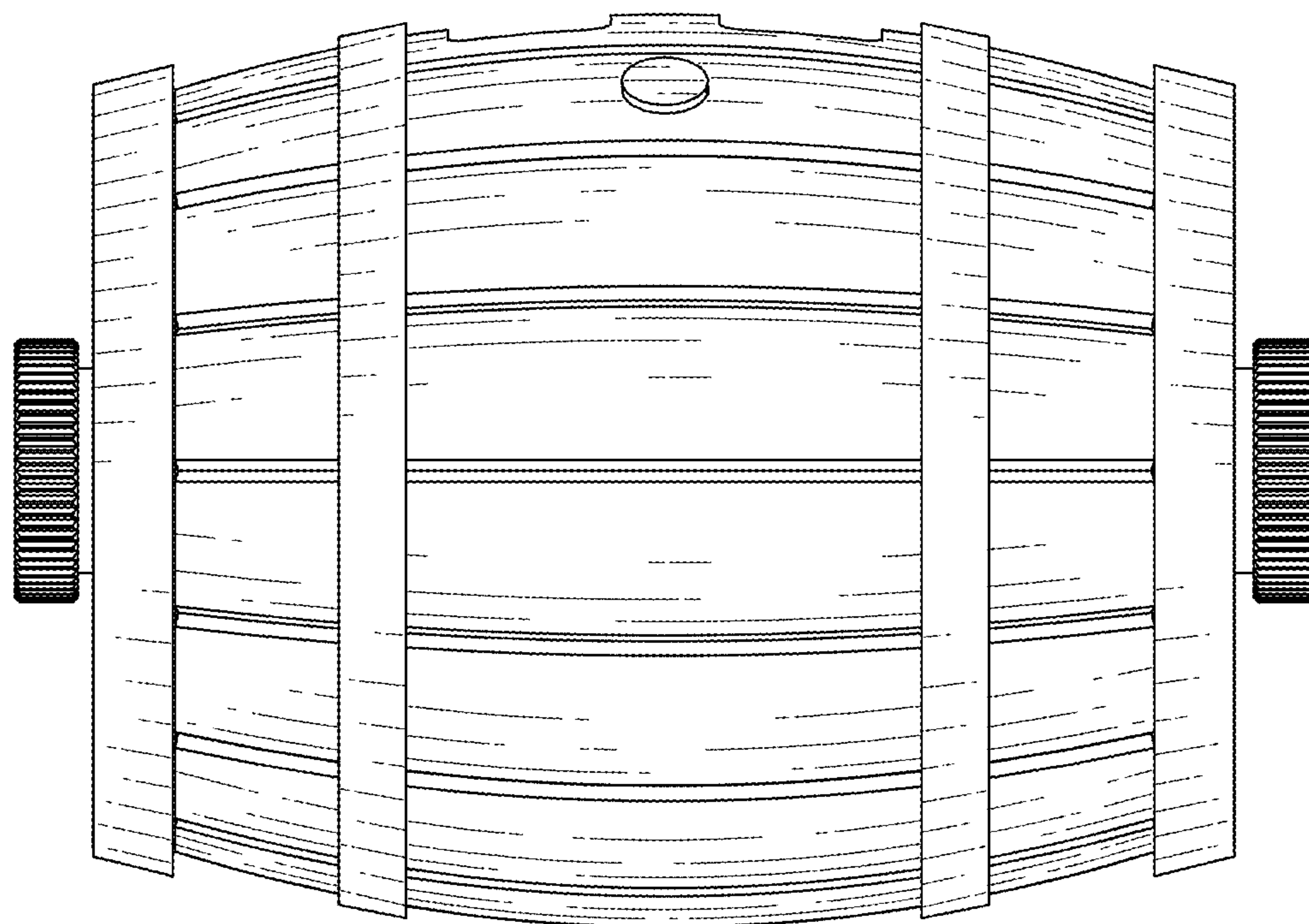


FIG. 5

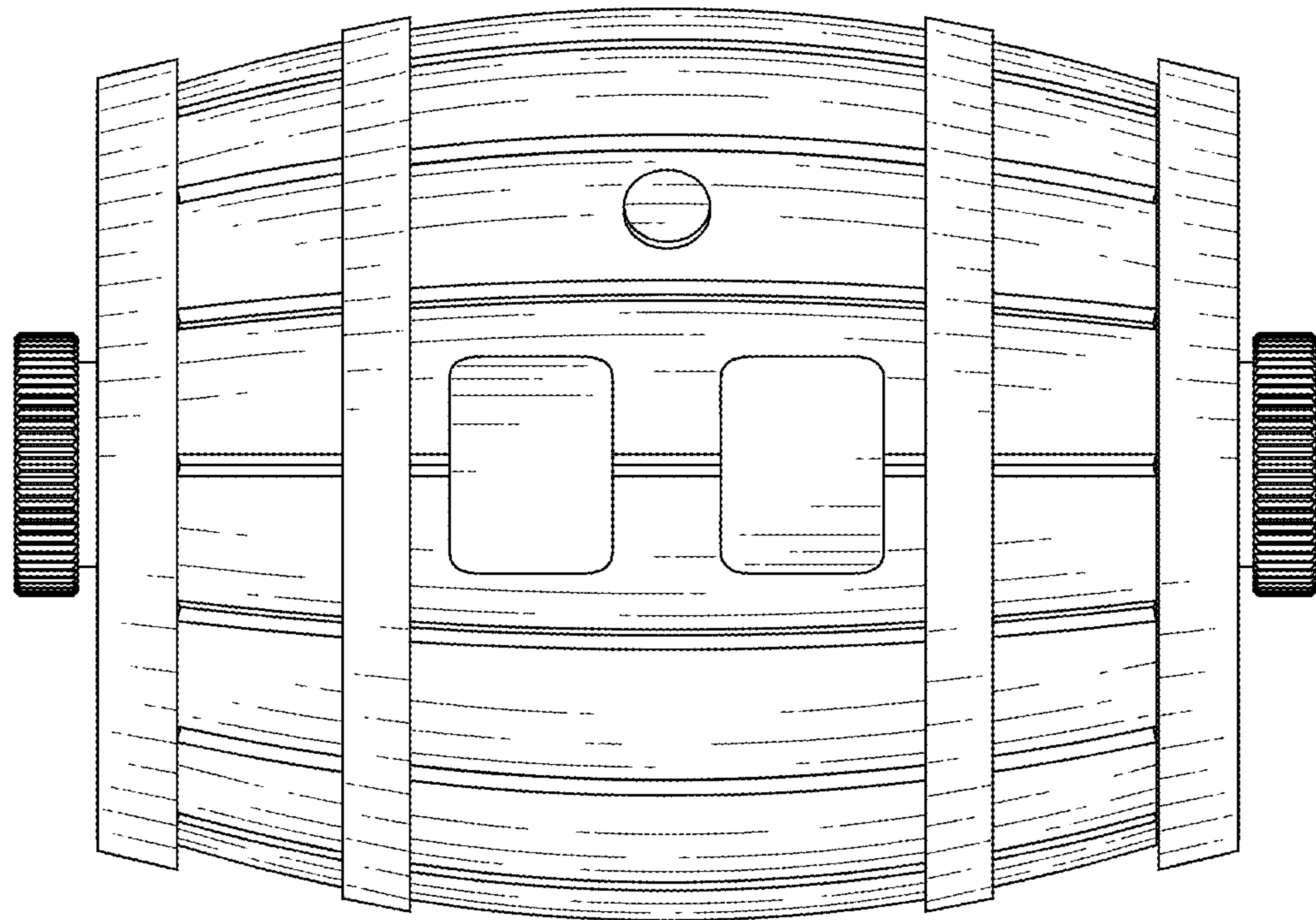


FIG. 6

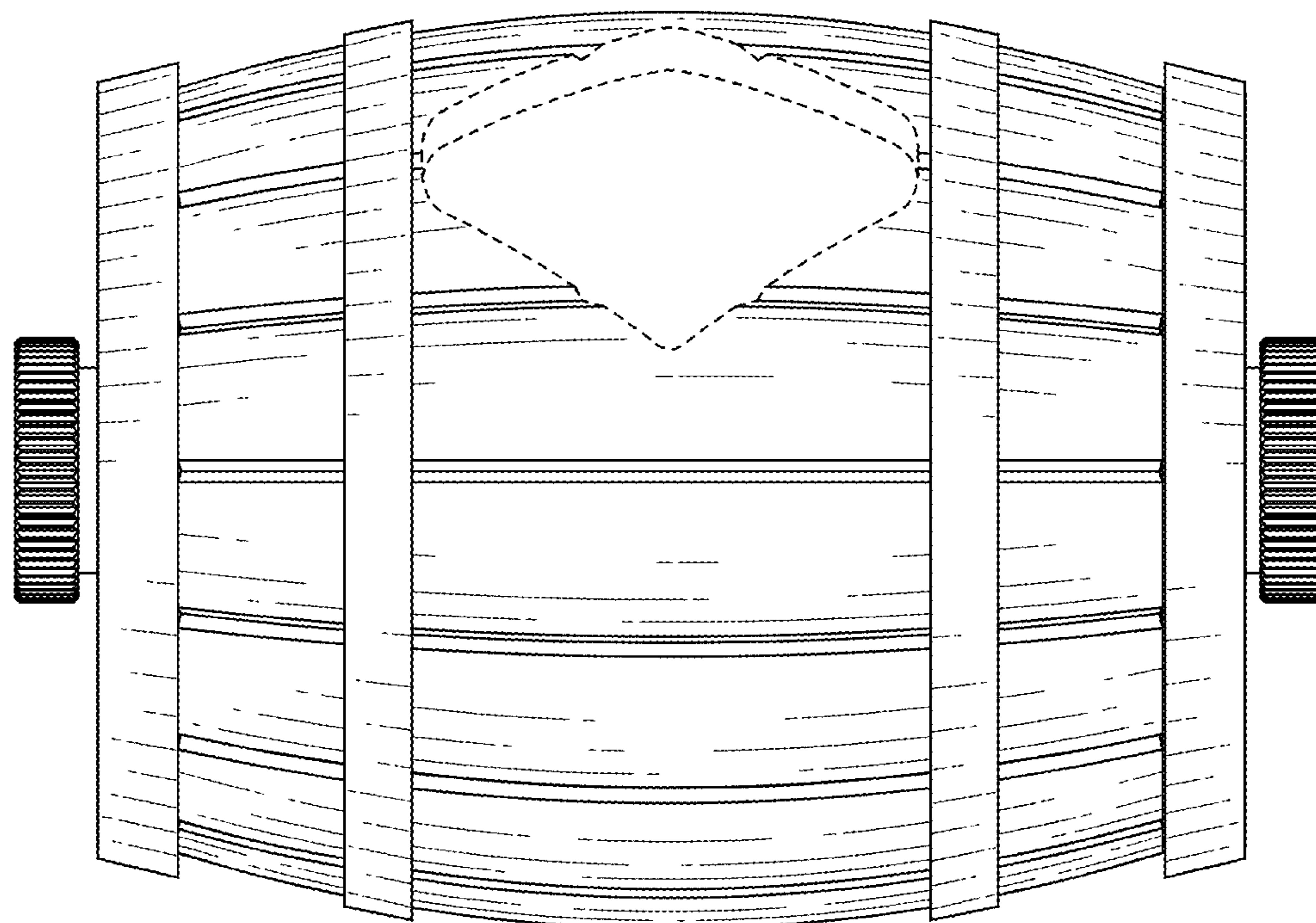


FIG. 7

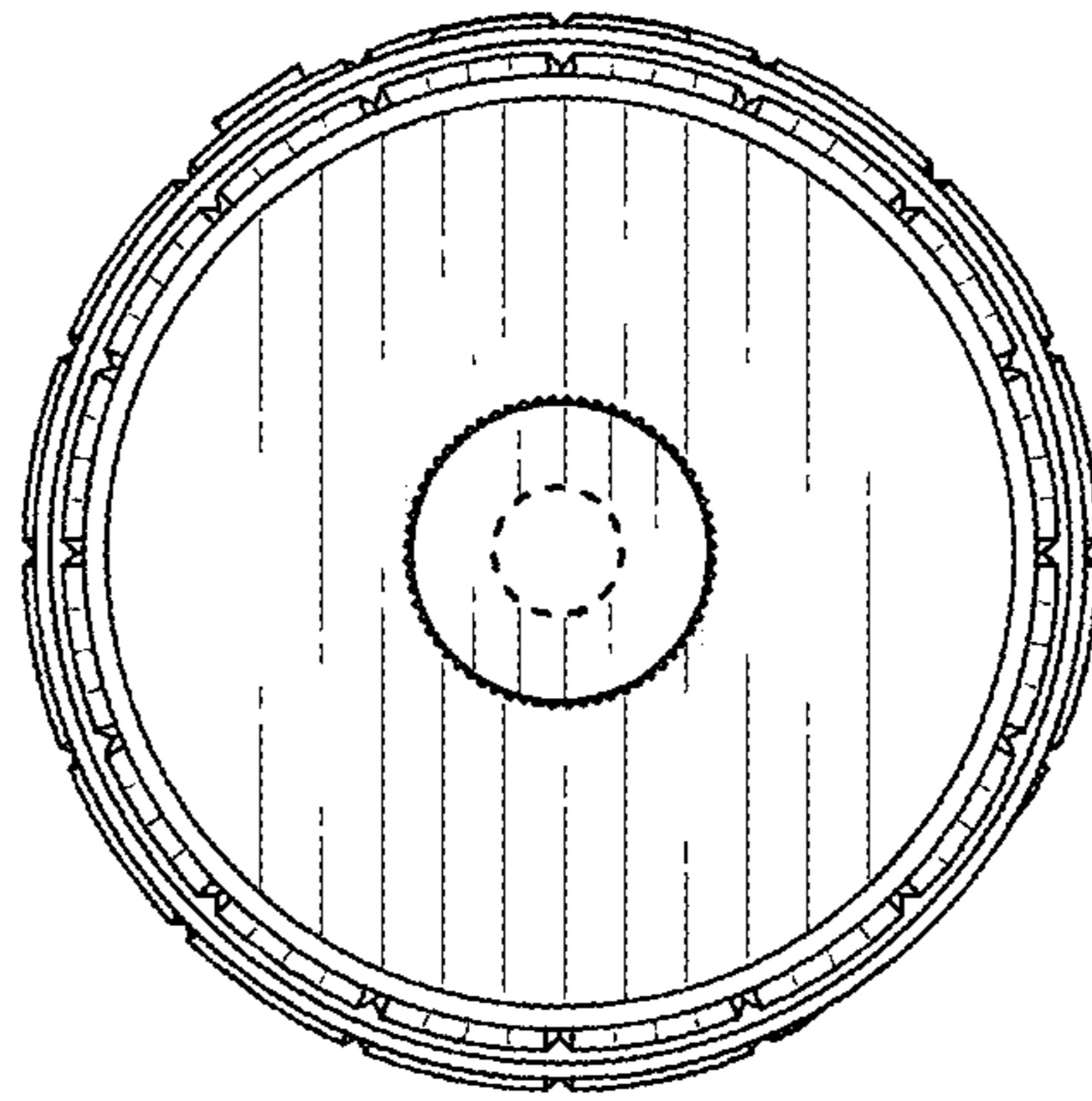


FIG. 8

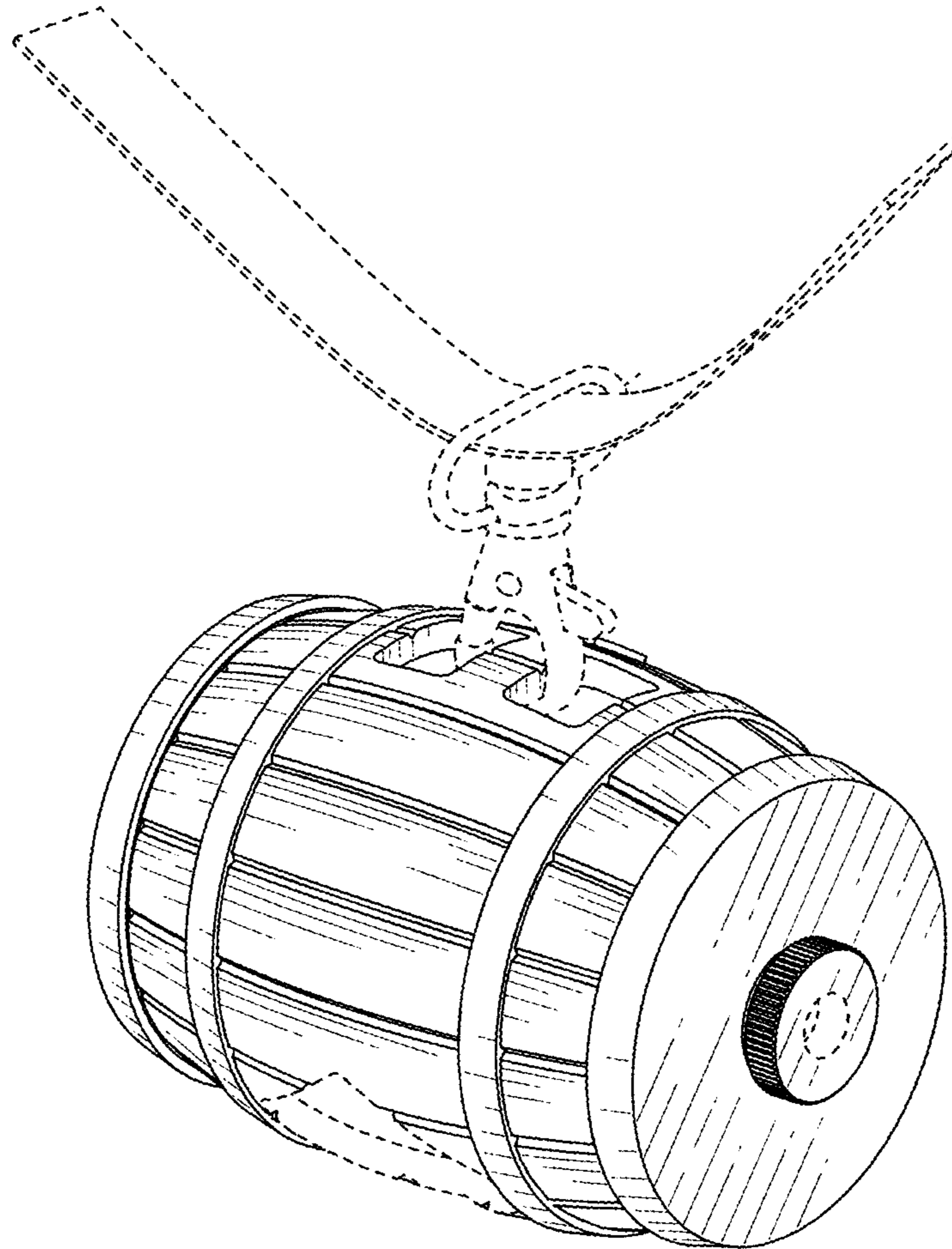


FIG. 9