



US00D935796S

(12) **United States Design Patent**
Li

(10) **Patent No.:** **US D935,796 S**

(45) **Date of Patent:** **** Nov. 16, 2021**

(54) **CHAIR**

(71) Applicant: **Homy Casa Limited**, Hong Kong (HK)

(72) Inventor: **YueHai Li**, Guangzhou (CN)

(73) Assignee: **HOMY CASA LIMITED**, Hong Kong (HK)

(**) Term: **15 Years**

(21) Appl. No.: **29/701,313**

(22) Filed: **Aug. 9, 2019**

(51) **LOC (13) Cl.** **06-01**

(52) **U.S. Cl.**
USPC **D6/366**

(58) **Field of Classification Search**
USPC D6/334-336, 356, 364, 365, 366, 367,
D6/374, 375, 379, 380, 716, 716.1, 716.3,
D6/716.4
CPC A47C 4/028; A47C 7/004; A47C 7/006;
A47C 7/18; A47C 7/24; A47C 7/38;
A47C 7/40; B60N 2/02; B60N 2/20;
B60N 2/22; B60N 2/58
See application file for complete search history.

(56) **References Cited**

U.S. PATENT DOCUMENTS

D542,547 S * 5/2007 Su D6/366
D809,313 S * 2/2018 Mao D6/366

D811,145 S * 2/2018 Li D6/716
D859,865 S * 9/2019 Berlinches D6/366
D869,214 S * 12/2019 Chen D6/716
D879,493 S * 3/2020 Peng D6/366
D885,779 S * 6/2020 Li D6/366
D893,910 S * 8/2020 Ko D6/366
D905,992 S * 12/2020 Li D6/366

* cited by examiner

Primary Examiner — Mimoso De

(74) *Attorney, Agent, or Firm* — Hauptman Ham, LLP

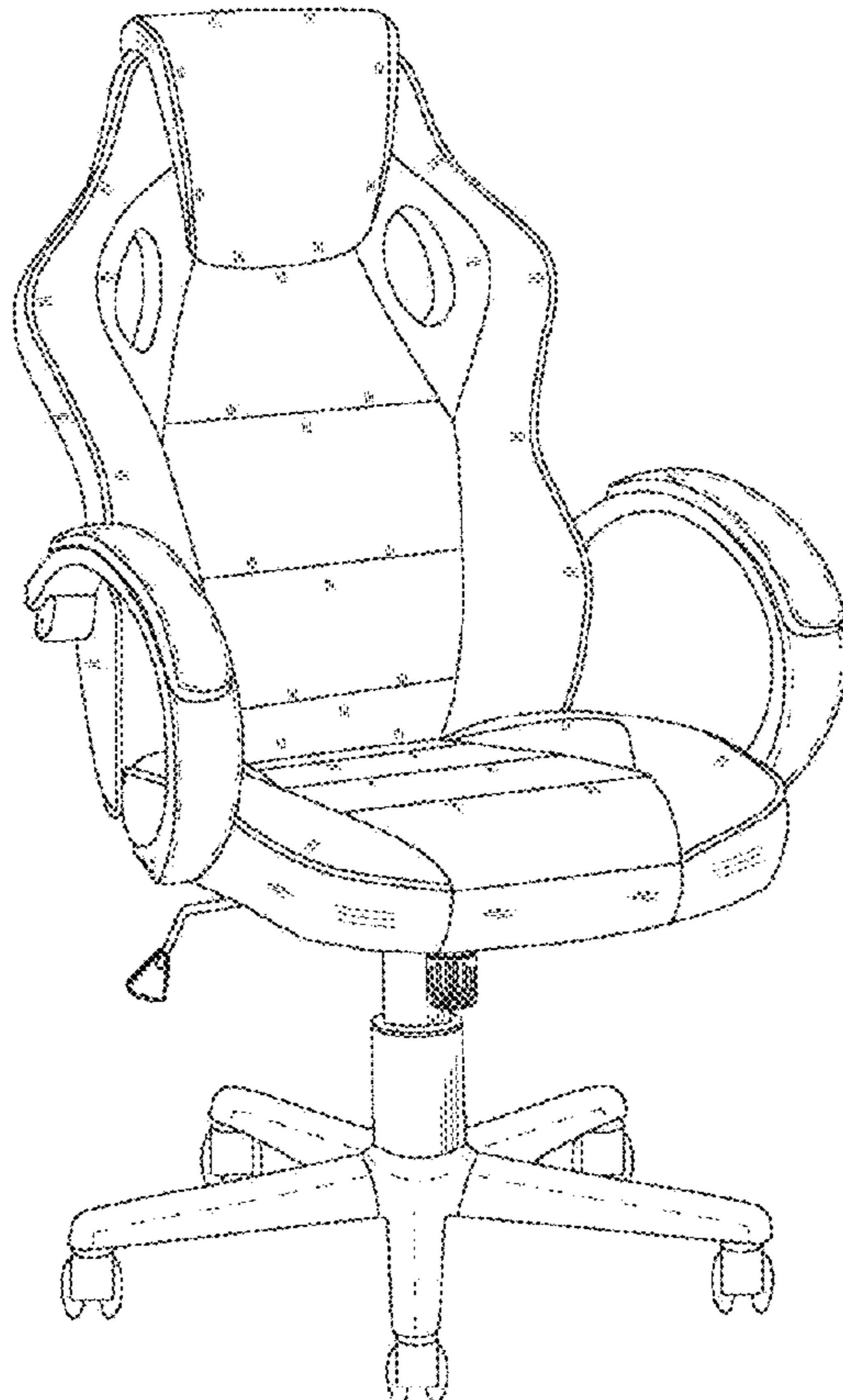
(57) **CLAIM**

The ornamental design for a chair, as shown and described.

DESCRIPTION

FIG. 1 is a front view of a chair bearing the design.
FIG. 2 is a back view of the chair of FIG. 1.
FIG. 3 is a left side view of the chair of FIG. 1.
FIG. 4 is a right side view of the chair of FIG. 1.
FIG. 5 is a top view of the chair of FIG. 1.
FIG. 6 is a bottom view of the chair of FIG. 1; and,
FIG. 7 is a perspective view of the chair of FIG. 1.
The dotted dashed lines showing a portion of the chair form no part of the claimed design.

1 Claim, 7 Drawing Sheets



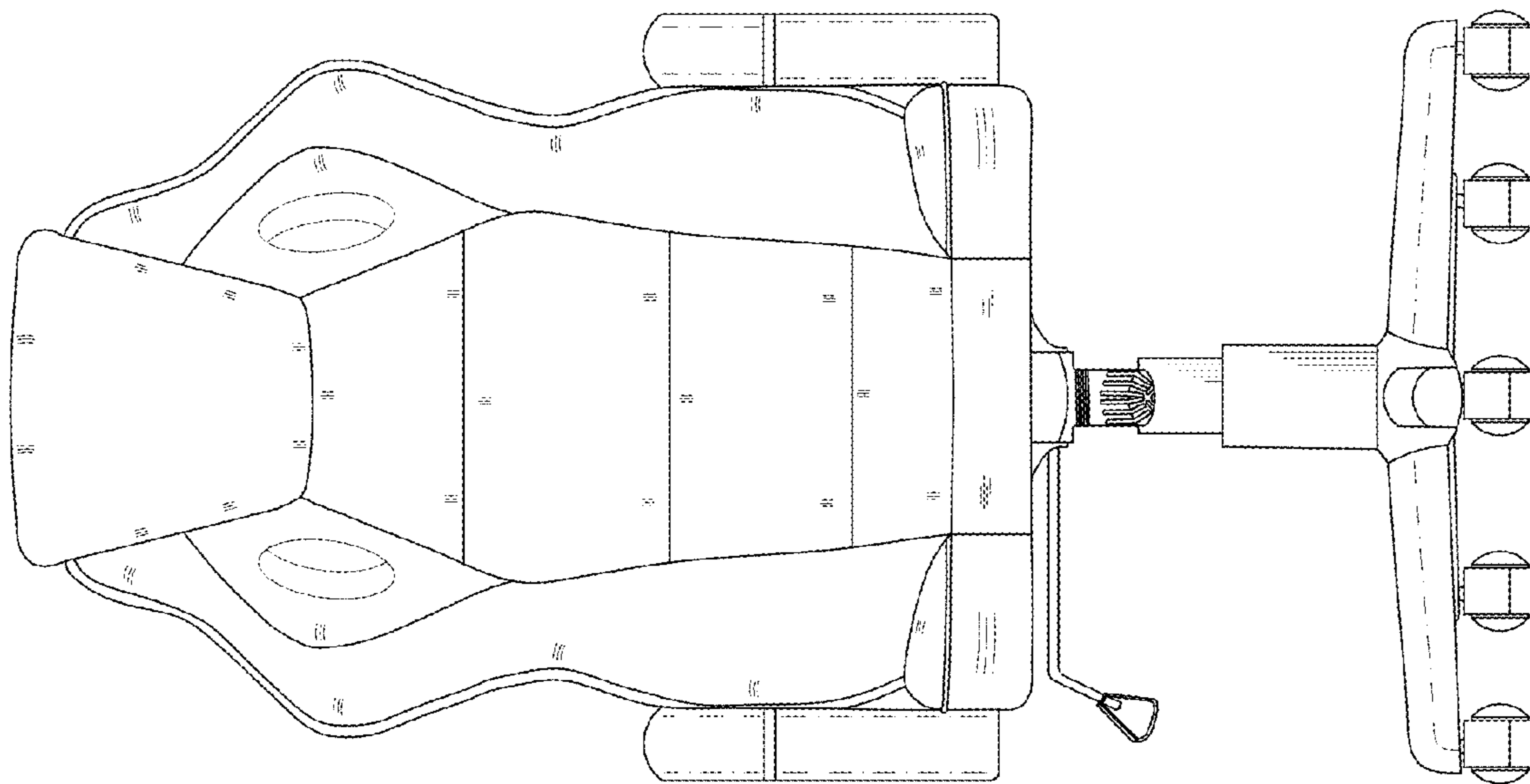


FIG. 1

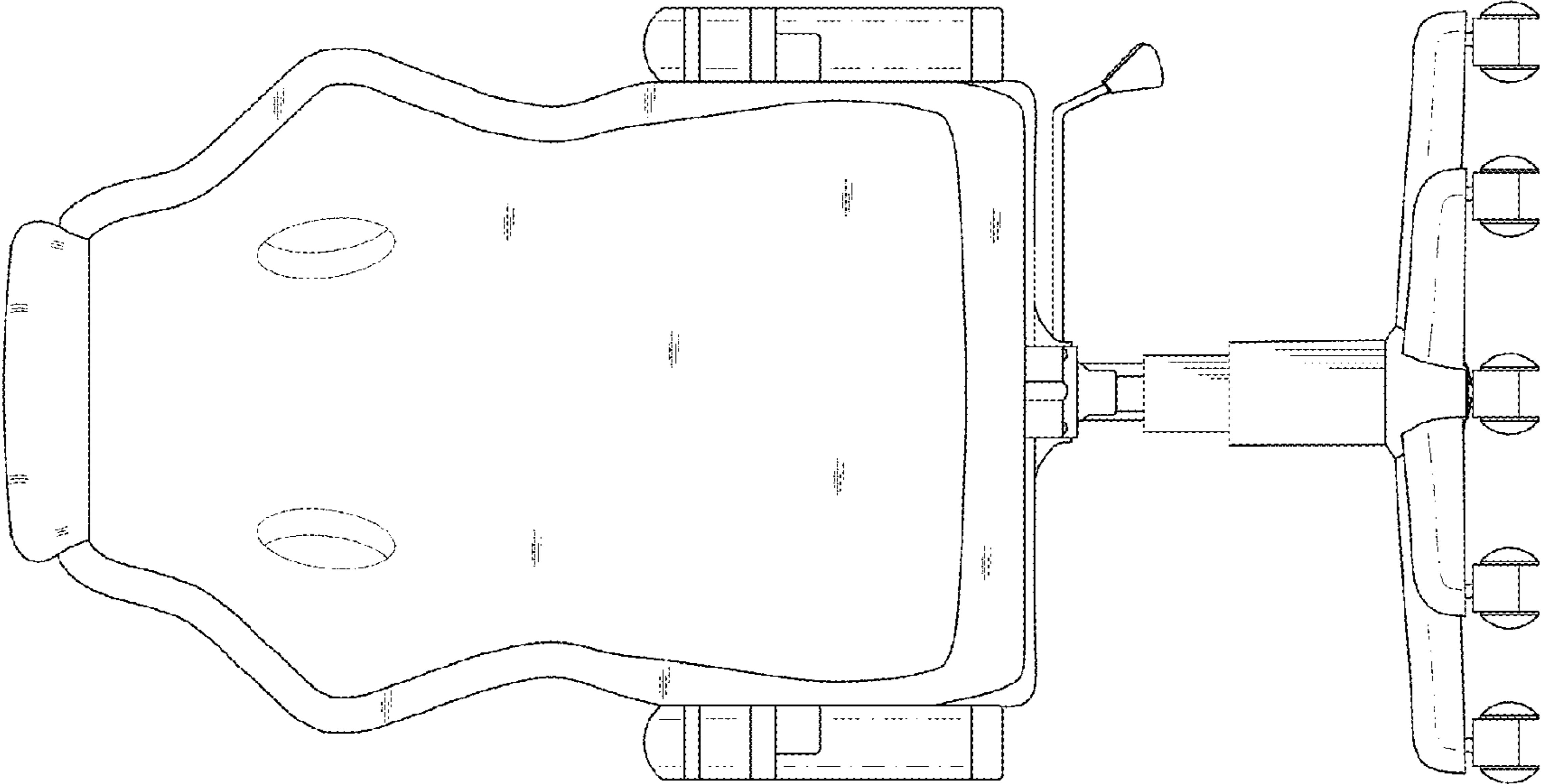


FIG. 2

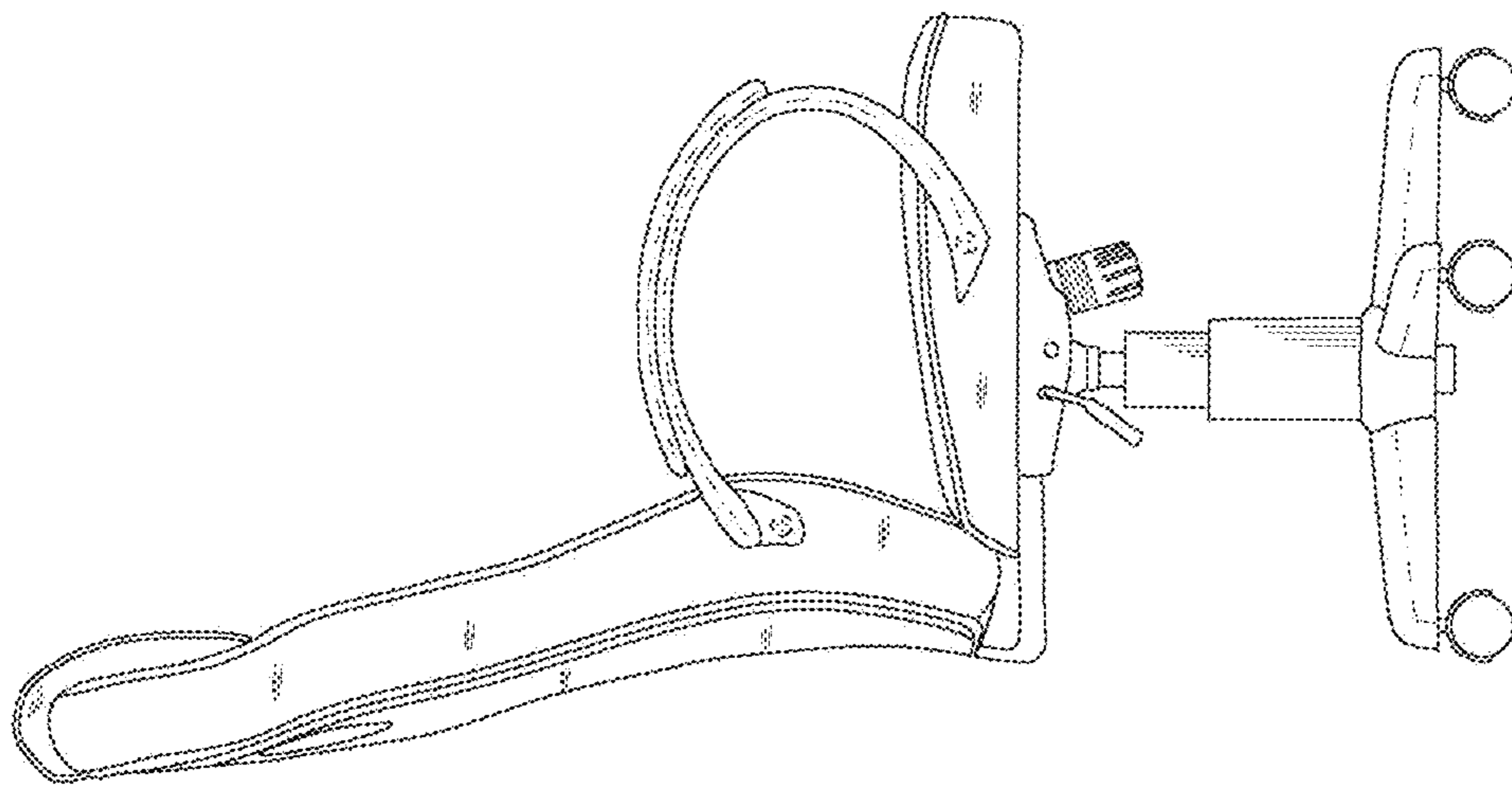


Fig. 3

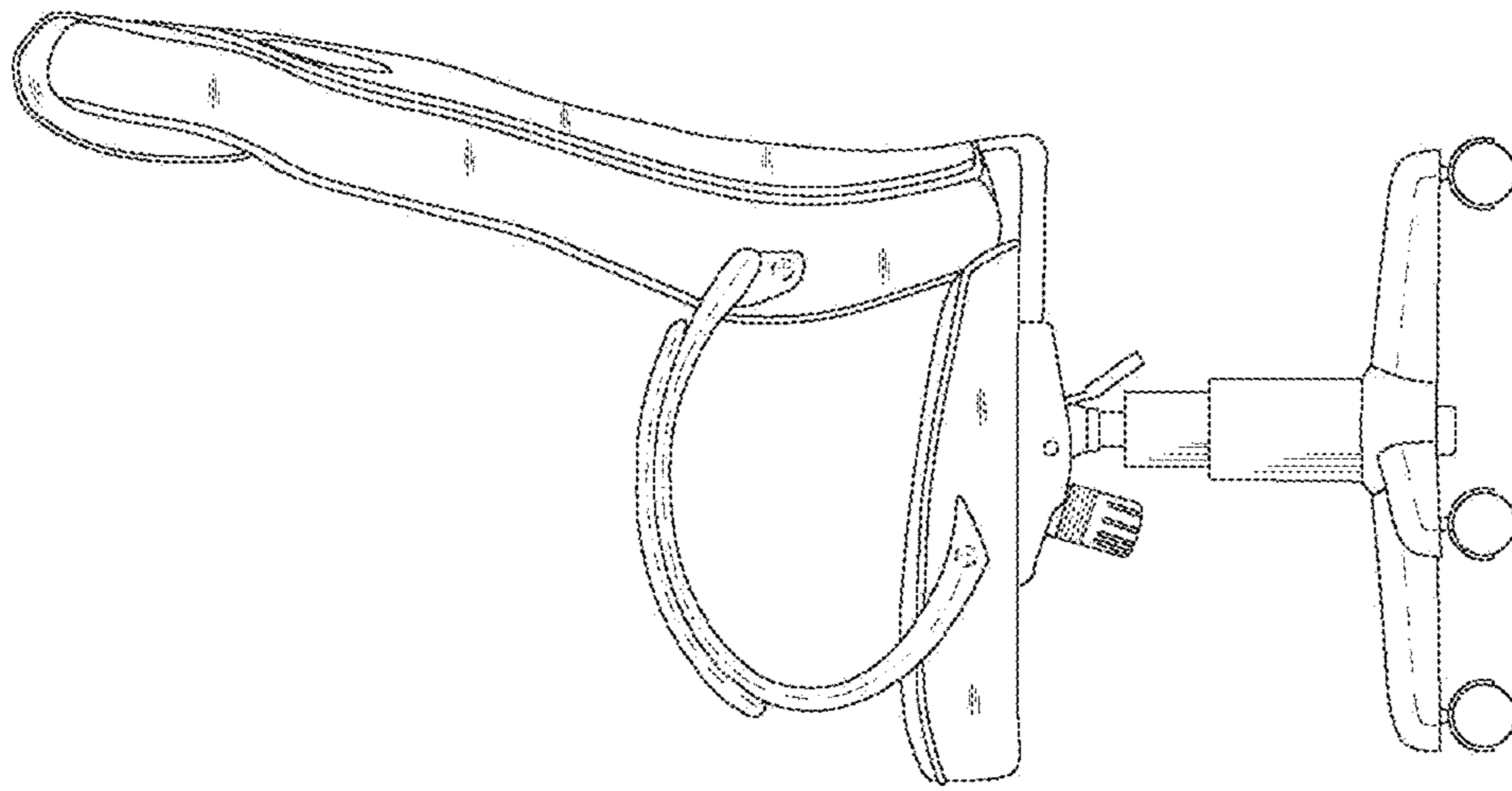


Fig. 4

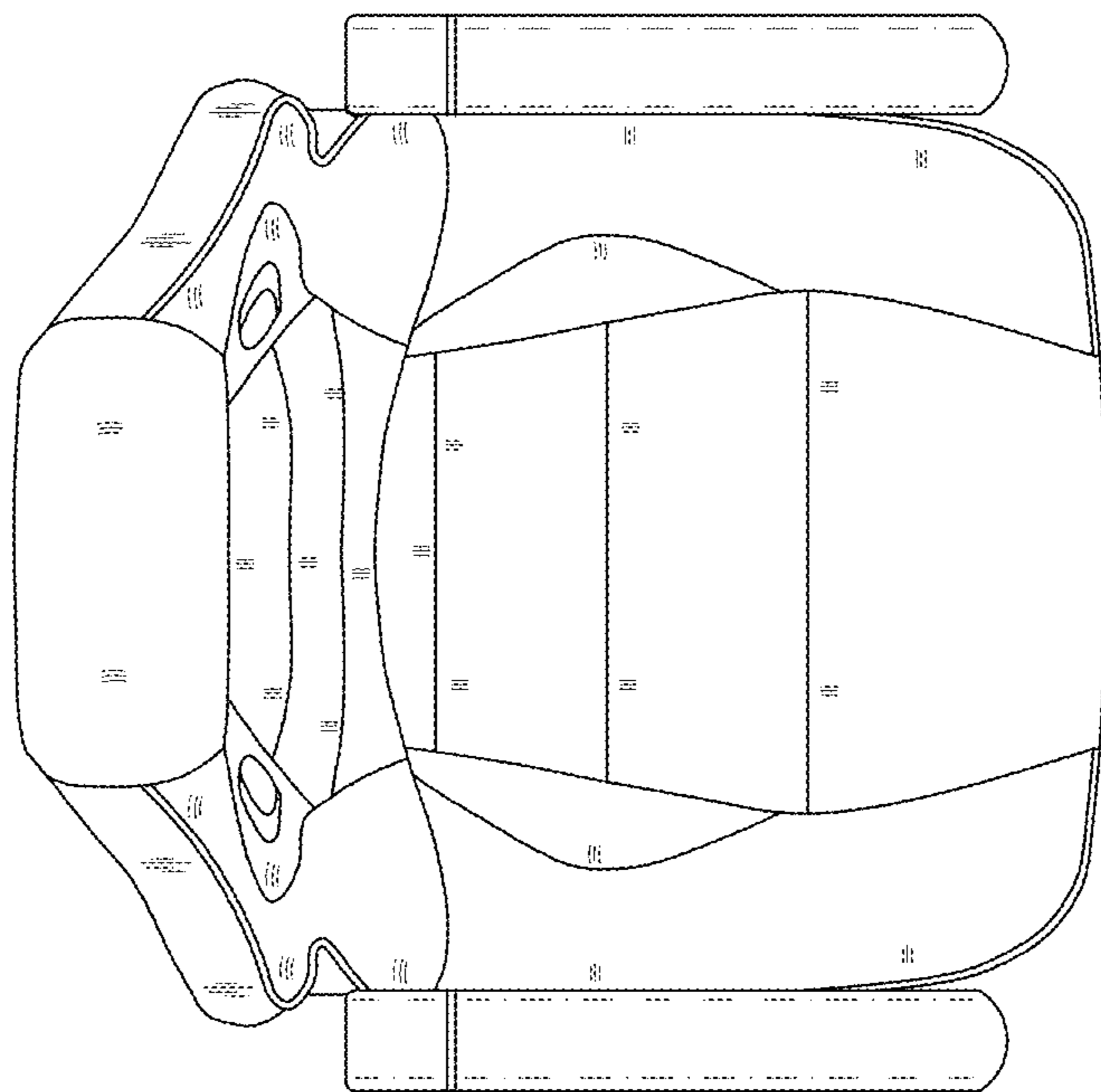


FIG. 5

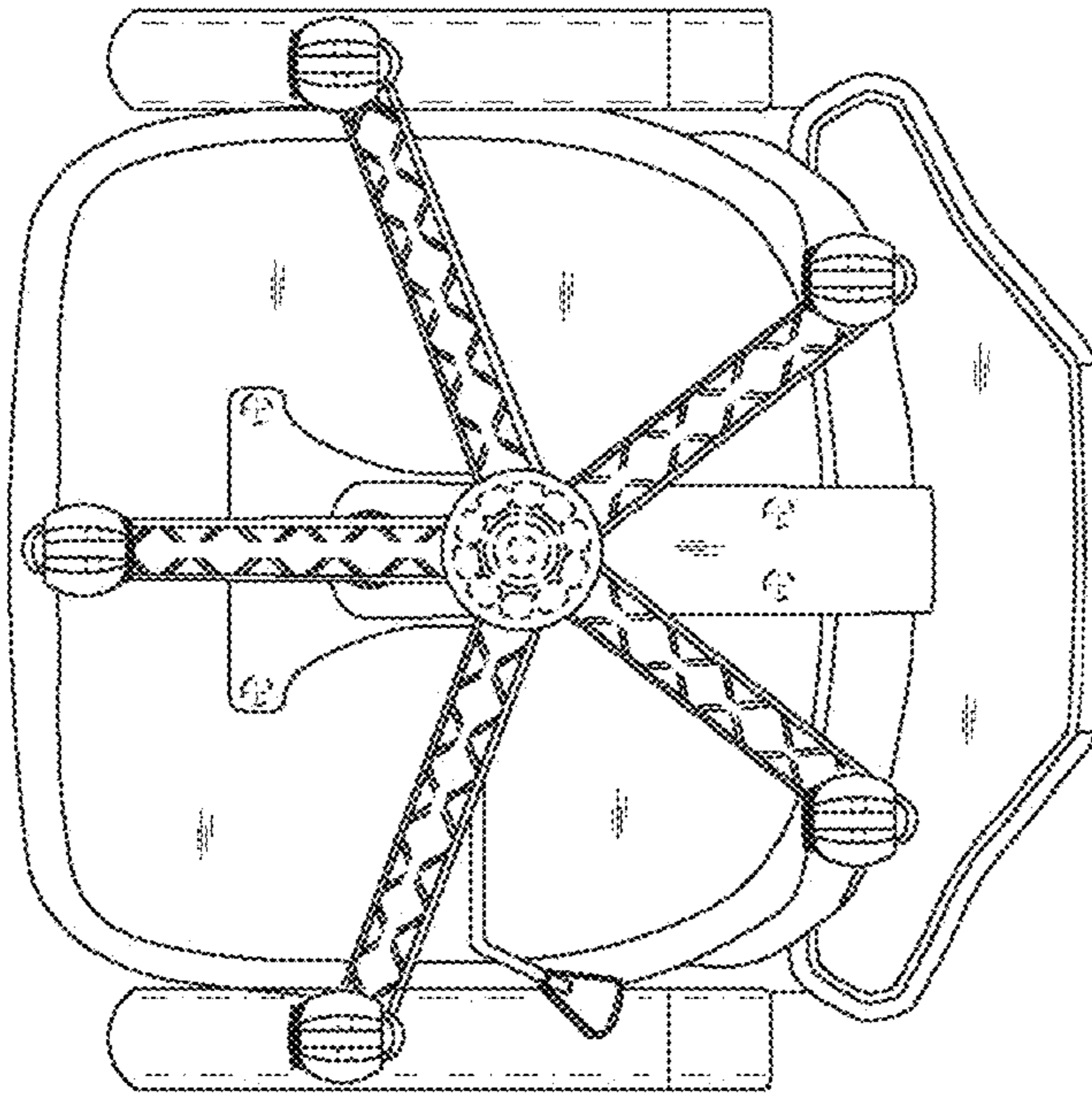


Fig. 6

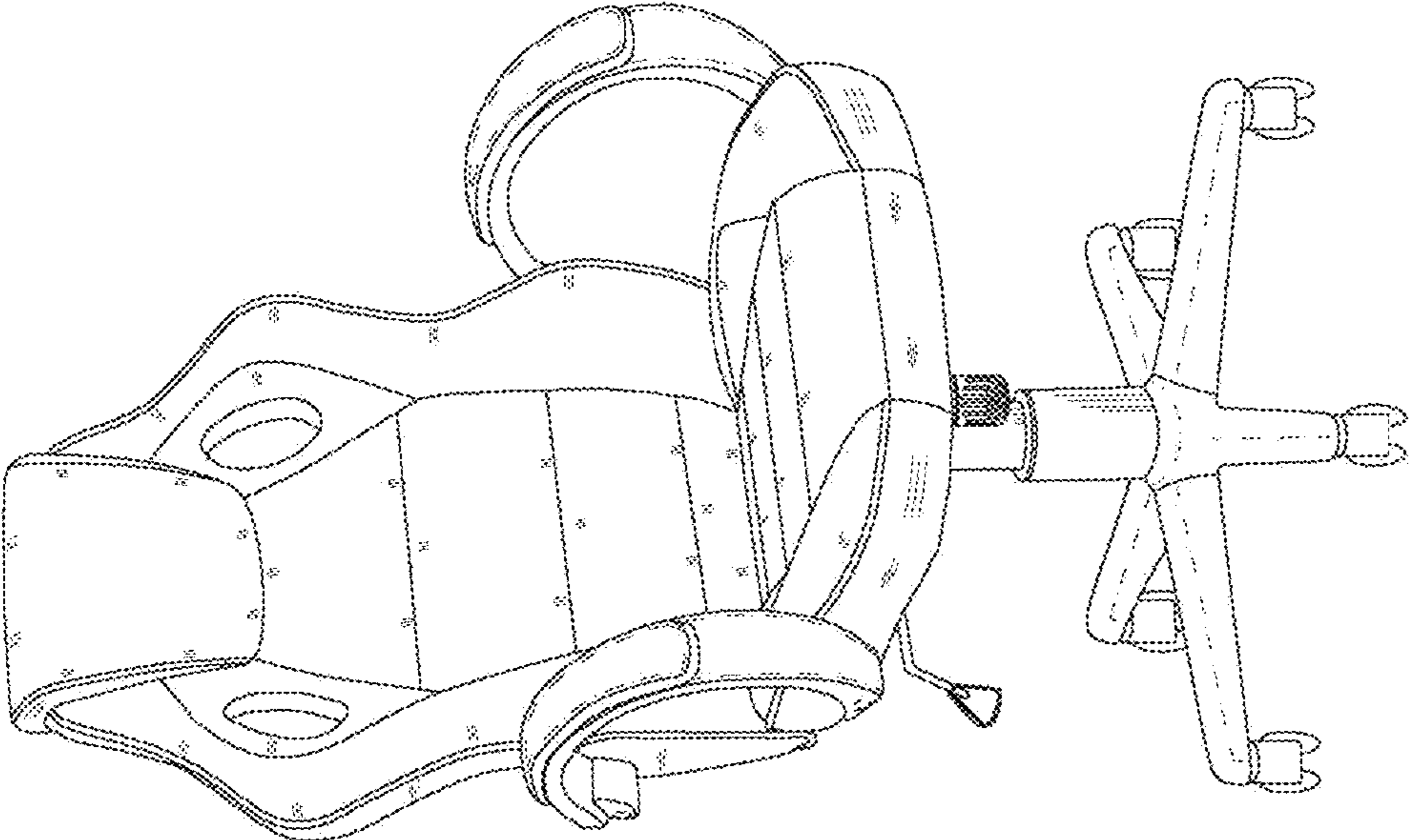


Fig. 7