



US00D935795S

(12) **United States Design Patent** (10) **Patent No.:** **US D935,795 S**
Li (45) **Date of Patent:** **** Nov. 16, 2021**

(54) **CHAIR**
(71) Applicant: **Homy Casa Limited**, Hong Kong (HK)
(72) Inventor: **YueHai Li**, Guangzhou (CN)
(73) Assignee: **HOMY CASA LIMITED**, Hong Kong (HK)
(**) Term: **15 Years**
(21) Appl. No.: **29/697,668**
(22) Filed: **Jul. 10, 2019**
(51) **LOC (13) Cl.** **06-01**
(52) **U.S. Cl.**
USPC **D6/366**
(58) **Field of Classification Search**
USPC D6/334-336, 364, 365, 366, 367, 369,
D6/374, 376, 379, 380, 716, 716.1, 716.2,
D6/716.3, 716.4, 716.5
CPC A47C 7/004; A47C 7/006; A47C 7/282;
A47C 7/14; A47C 7/38; A47C 7/383;
A47C 7/386; A47C 7/40; A47C 7/402;
A47C 7/405; A47C 7/46; A47C 7/462;
A47C 7/54; B60N 2/66
See application file for complete search history.

(56) **References Cited**
U.S. PATENT DOCUMENTS
D501,333 S * 2/2005 Piretti D6/366
D641,572 S * 7/2011 Tsai D6/716.4

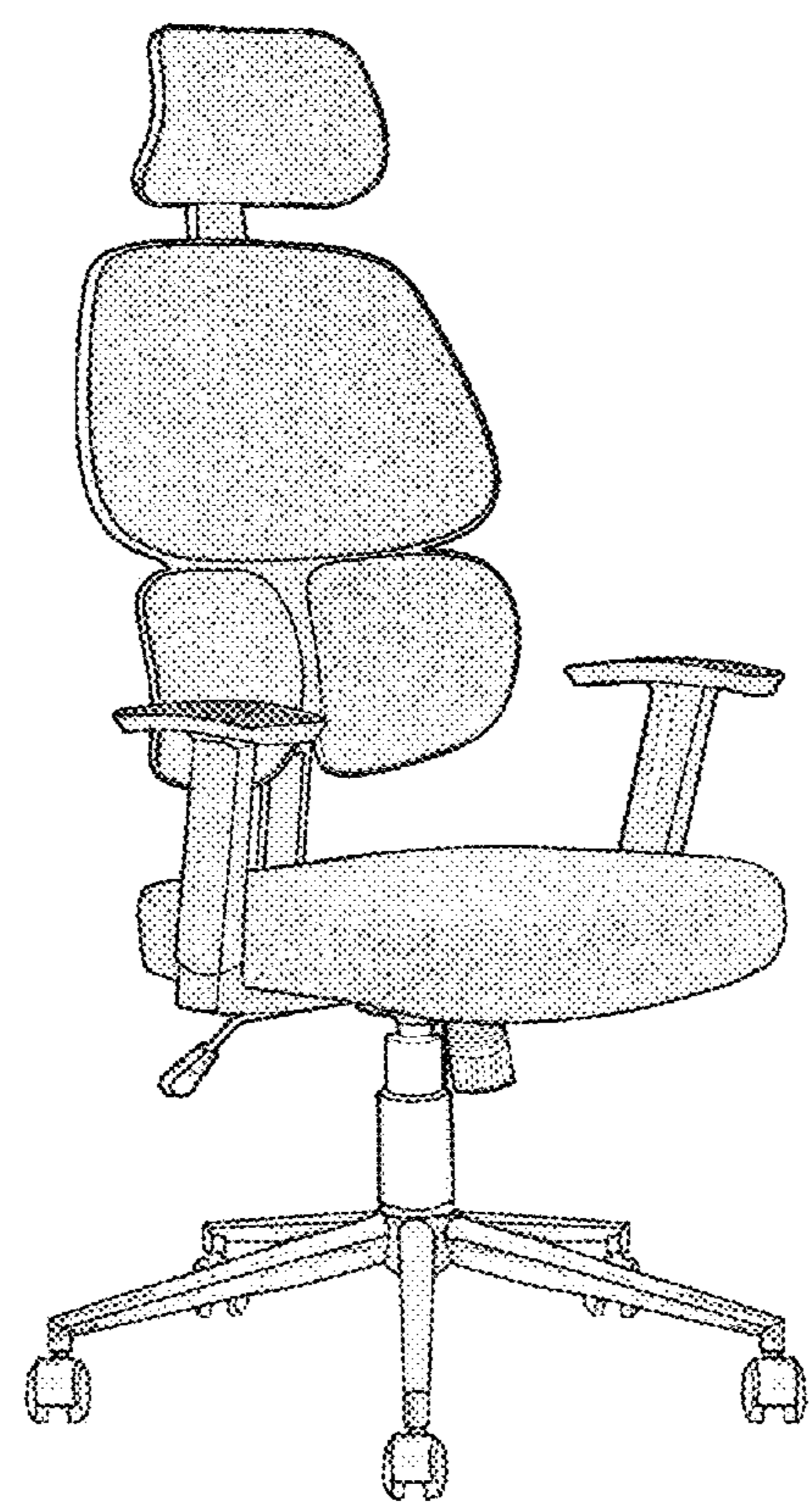
D645,684 S * 9/2011 Chen D6/716.4
D648,961 S * 11/2011 Rashid D6/716
D661,506 S * 6/2012 Ou D6/366
D661,916 S * 6/2012 Chen D6/366
D673,399 S * 1/2013 Gu D6/716.4
D677,917 S * 3/2013 Mao D6/366
D698,167 S * 1/2014 Wan D6/366
D708,883 S * 7/2014 Tsai D6/716.4
D708,885 S * 7/2014 Tsai D6/716.4
D780,499 S * 3/2017 Tsai D6/716.4
D793,142 S * 8/2017 Tsai D6/716.4
D841,997 S * 3/2019 Chen D6/366
D874,842 S * 2/2020 Wang D6/366
D907,947 S * 1/2021 Wang D6/716

* cited by examiner
Primary Examiner — Mimoso De
(74) *Attorney, Agent, or Firm* — Hauptman Ham, LLP

(57) **CLAIM**
The ornamental design for a chair, as shown and described.

DESCRIPTION
FIG. 1 is a front view of a chair bearing the design.
FIG. 2 is a back view of the chair of FIG. 1.
FIG. 3 is a left side view of the chair of FIG. 1.
FIG. 4 is a right side view of the chair of FIG. 1.
FIG. 5 is a top view of the chair of FIG. 1.
FIG. 6 is a bottom view of the chair of FIG. 1; and,
FIG. 7 is a perspective view of the chair of FIG. 1.
The broken lines show portions of the chair that form no part of the claim.

1 Claim, 7 Drawing Sheets



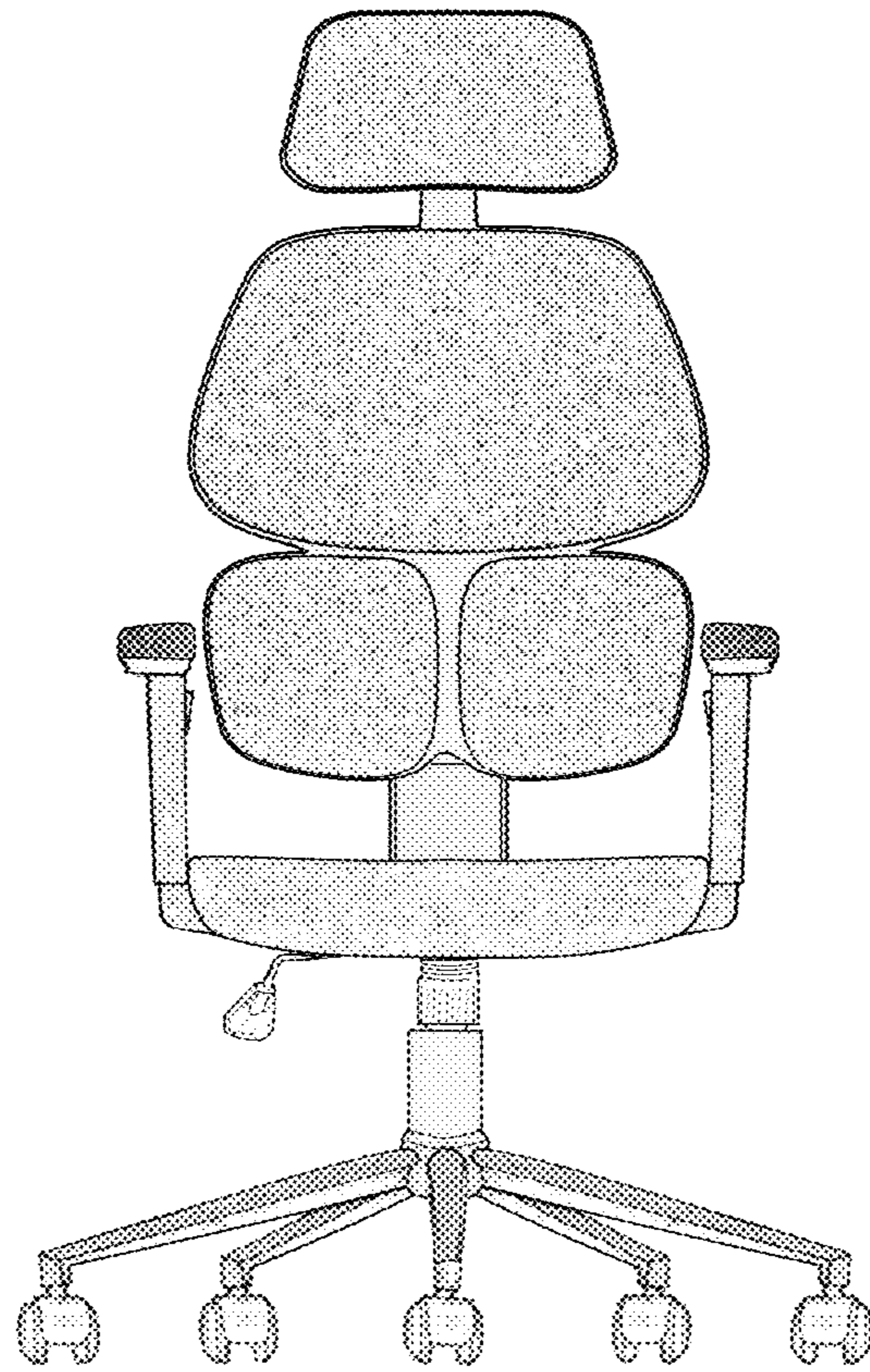


Fig. 1

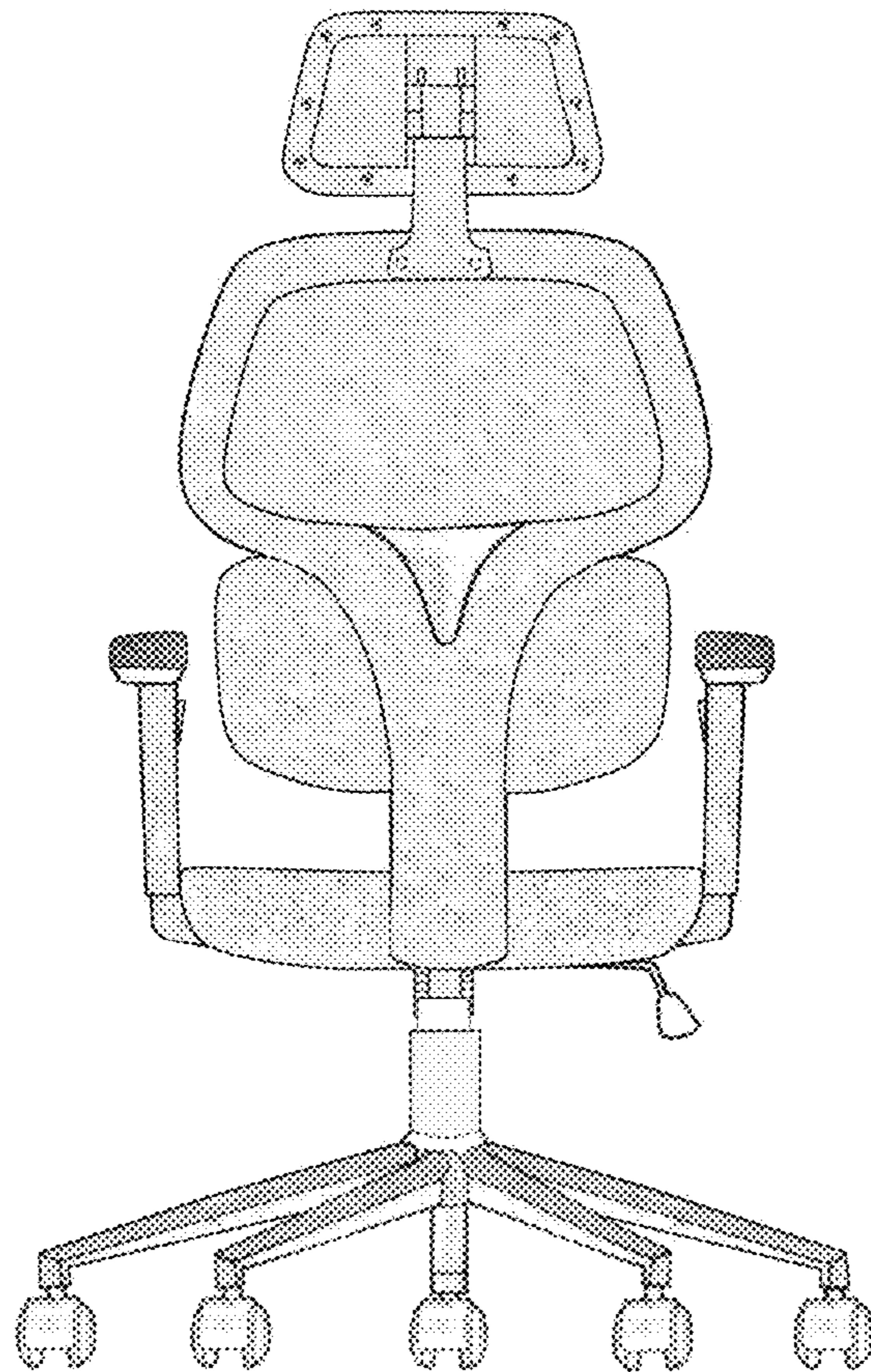


Fig. 2

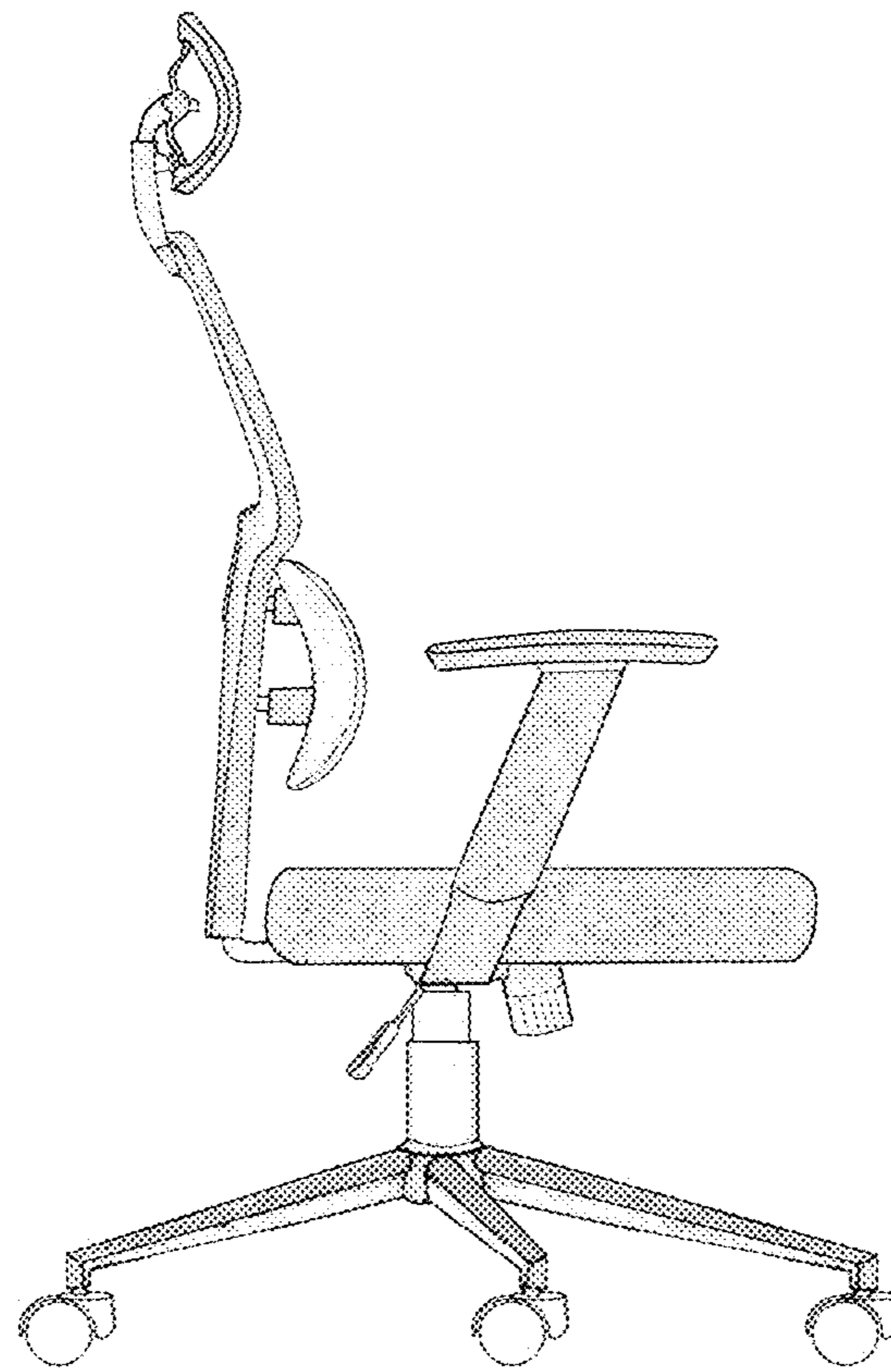


Fig. 3

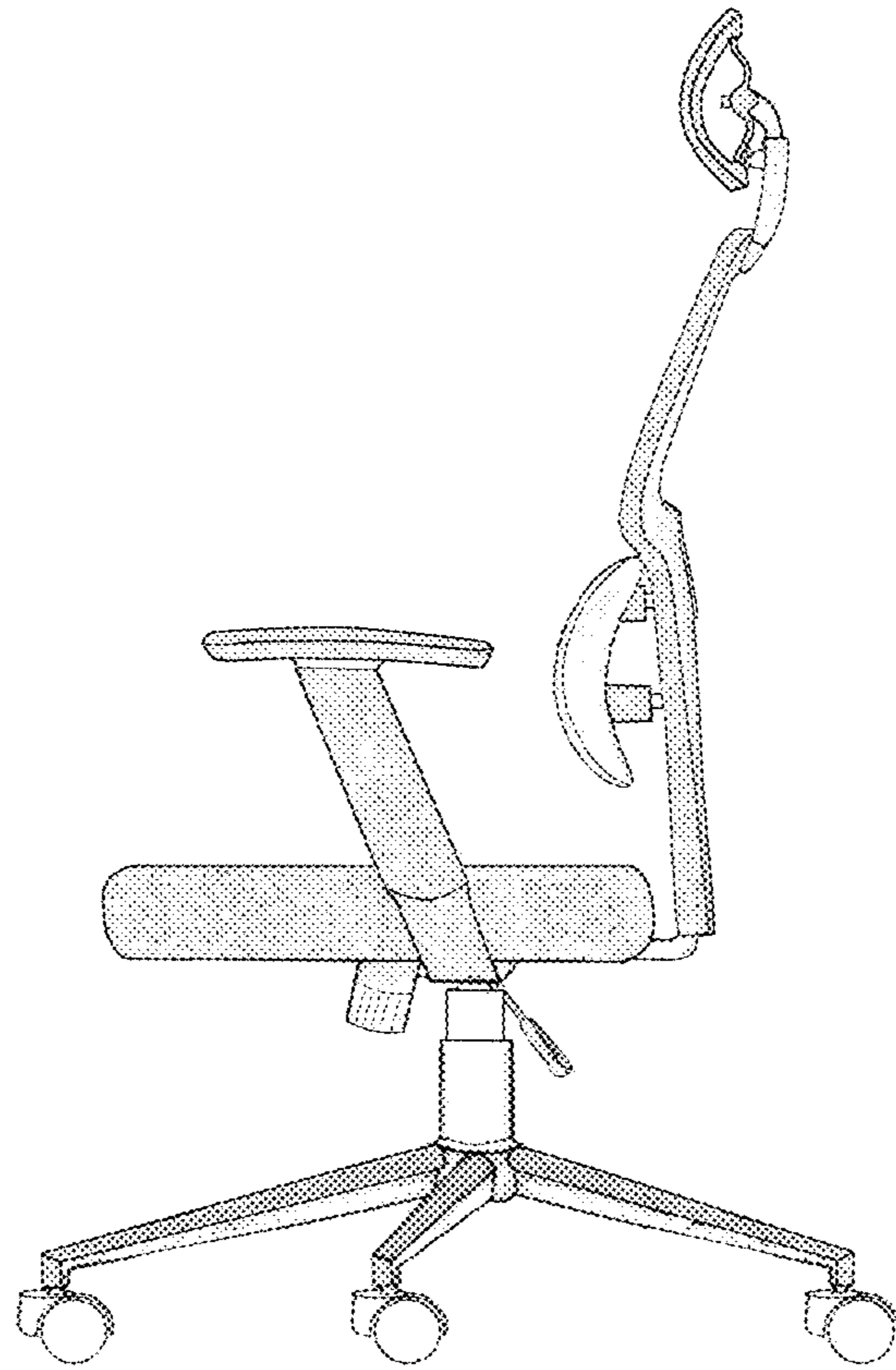


Fig. 4

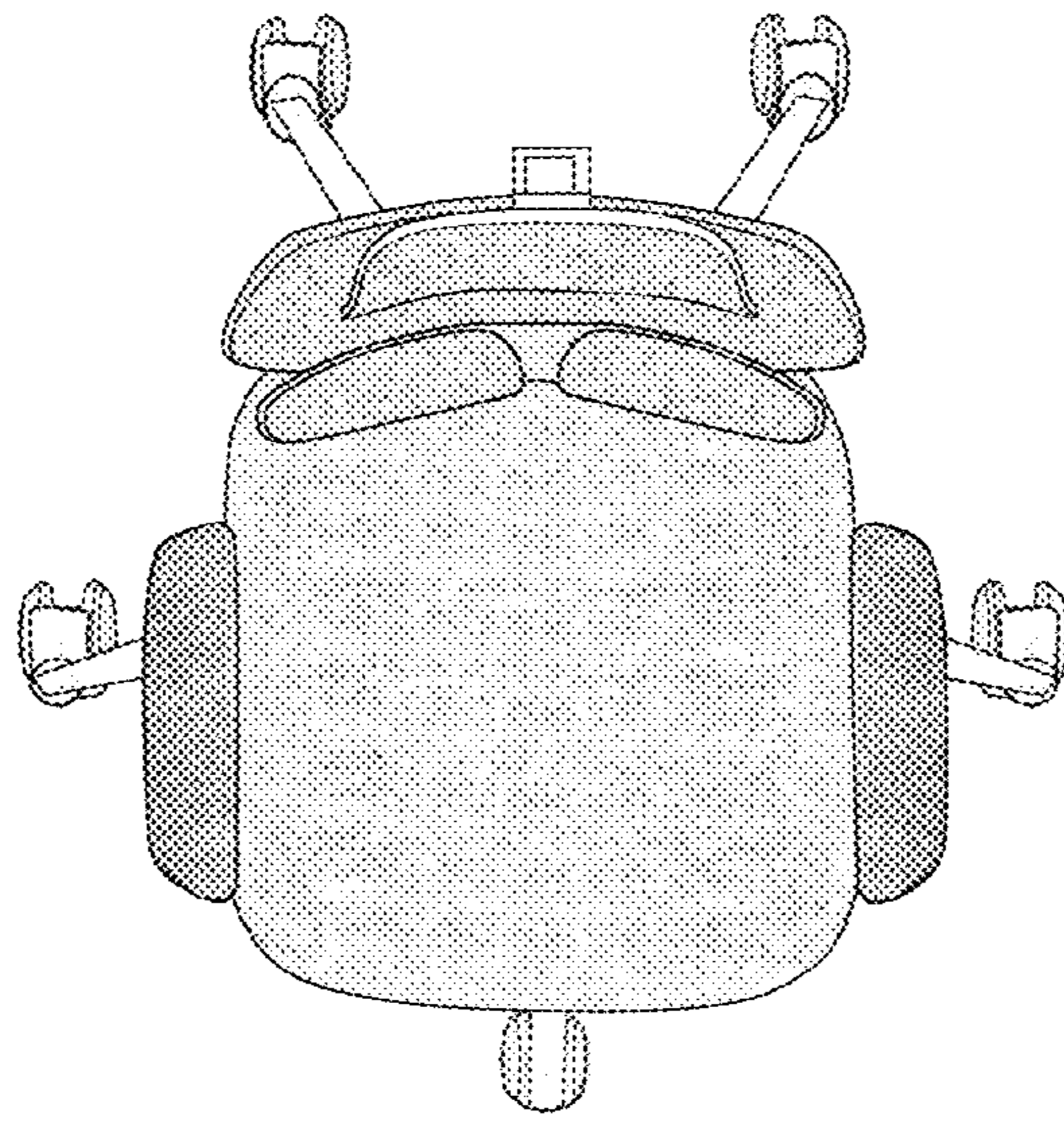


Fig. 5

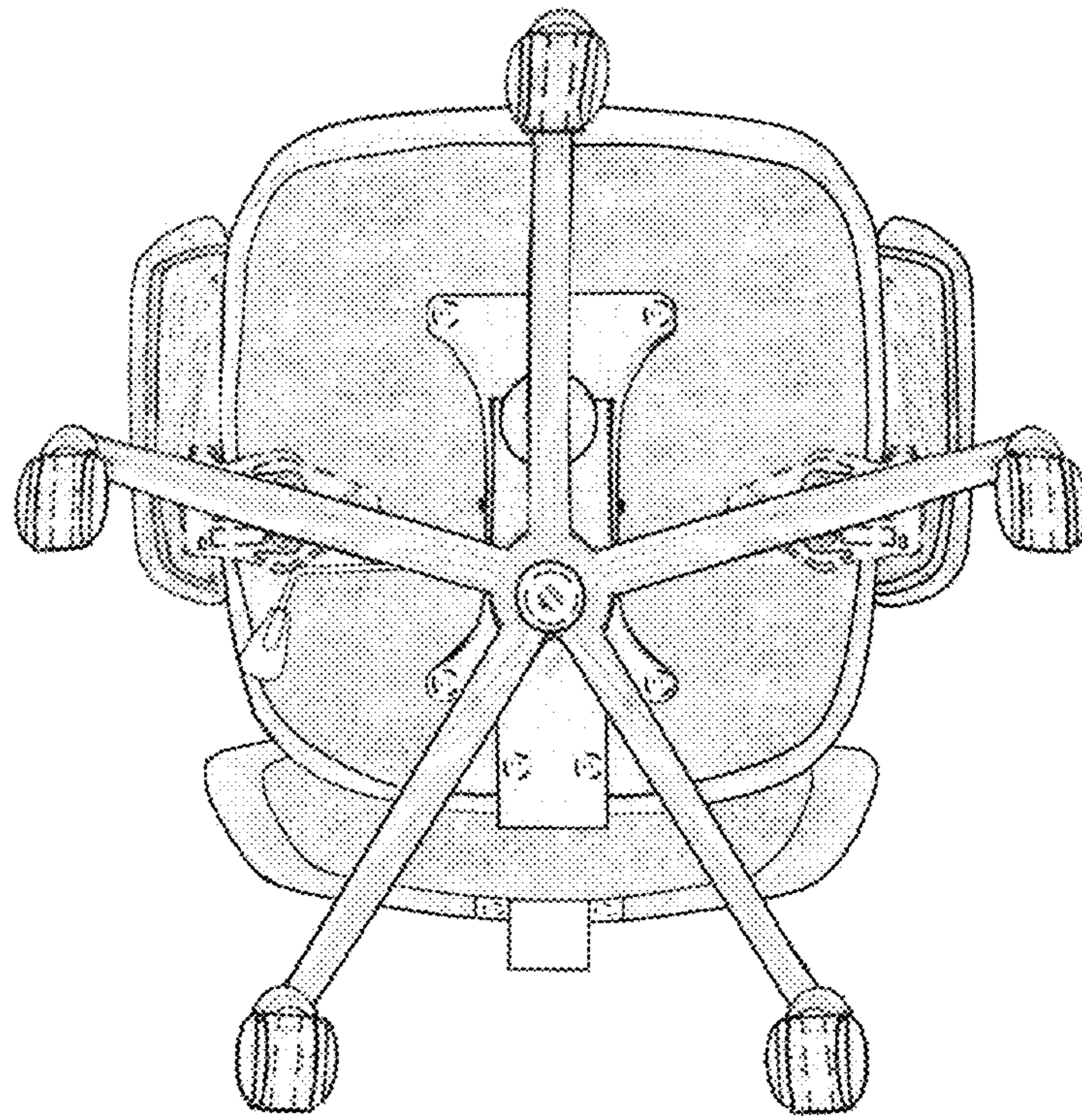


Fig. 6

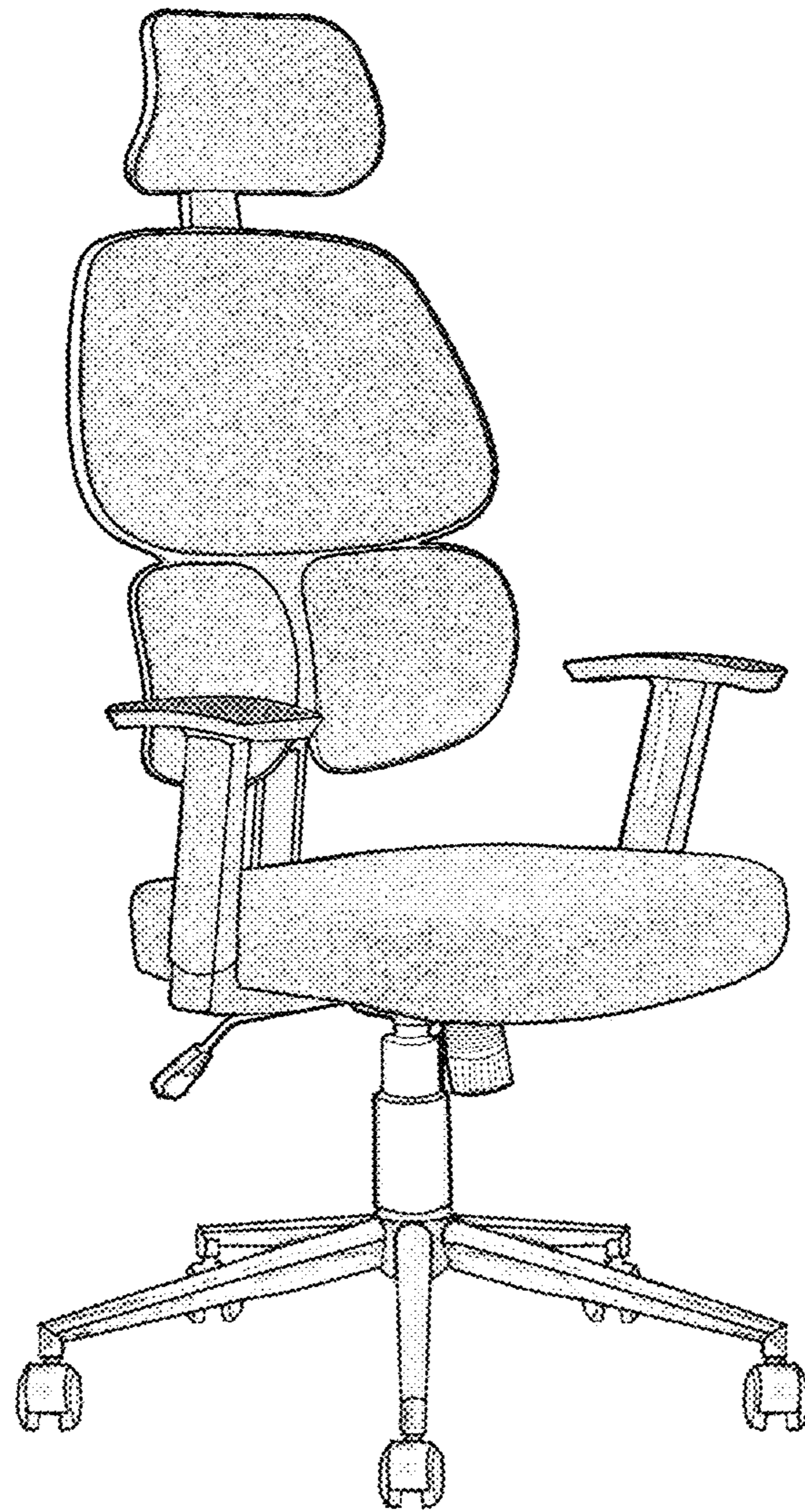


Fig. 7