



US00D935793S

(12) **United States Design Patent**
Chiang

(10) **Patent No.:** **US D935,793 S**

(45) **Date of Patent:** **** Nov. 16, 2021**

(54) **HAT HOLDER**

(71) Applicant: **MyGift Enterprise, LLC**, Woodinville, WA (US)

(72) Inventor: **Cliff Chiang**, Woodinville, WA (US)

(**) Term: **15 Years**

(21) Appl. No.: **29/735,383**

(22) Filed: **May 20, 2020**

(51) **LOC (13) Cl.** **06-08**

(52) **U.S. Cl.**
USPC **D6/323**

(58) **Field of Classification Search**

USPC D6/315-328; D8/356, 367, 372
CPC A47G 25/32; A47G 25/28; A47G 25/743;
A47G 25/26; A47G 25/30; A47G
25/1442; A47G 25/06; A47G 25/38;
A47G 25/50; A47G 25/06; A47G 25/74;
A47G 25/1414; A47G 25/34; A47G
29/08; A47G 29/00; A47F 5/0006; A47F
7/19; A47F 7/12

See application file for complete search history.

(56) **References Cited**

U.S. PATENT DOCUMENTS

429,421 A * 6/1890 Coit F16L 3/2235
248/68.1
887,272 A * 5/1908 Robinson F16L 3/2235
248/68.1

D186,833 S * 12/1959 Nadel D6/566
D214,325 S * 6/1969 Northfield et al. D6/323
D324,960 S * 3/1992 Rodack D6/320
5,240,123 A * 8/1993 Hawk A47F 7/06
211/30
D404,580 S * 1/1999 Hasler D6/320
D426,075 S * 6/2000 Bonham D6/320
D472,134 S * 3/2003 Goodman D8/367
D582,686 S * 12/2008 Belokin D6/315
D767,907 S * 10/2016 Goodman D6/323

* cited by examiner

Primary Examiner — Lauren R Calve

(74) *Attorney, Agent, or Firm* — Dean Craine; Marisa Whitaker

(57) **CLAIM**

The ornamental design for a hat holder, as shown and described.

DESCRIPTION

FIG. 1 is a front perspective view of a hat holder showing my new design.

FIG. 2 is a front elevational view thereof.

FIG. 3 is a rear devotional view thereof.

FIG. 4 is a top plan view thereof.

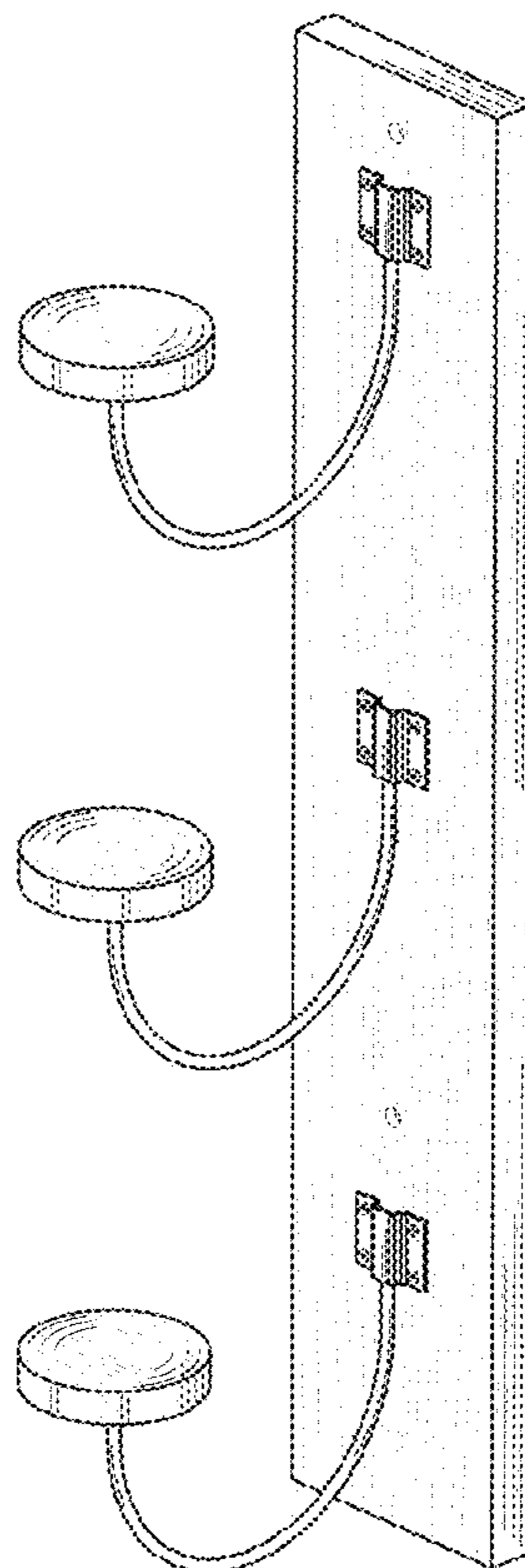
FIG. 5 is a bottom plan view thereof.

FIG. 6 is a left-side elevational view thereof; and,

FIG. 7 is a right-side elevational view thereof.

The broken lines form no part of the claimed design.

1 Claim, 7 Drawing Sheets



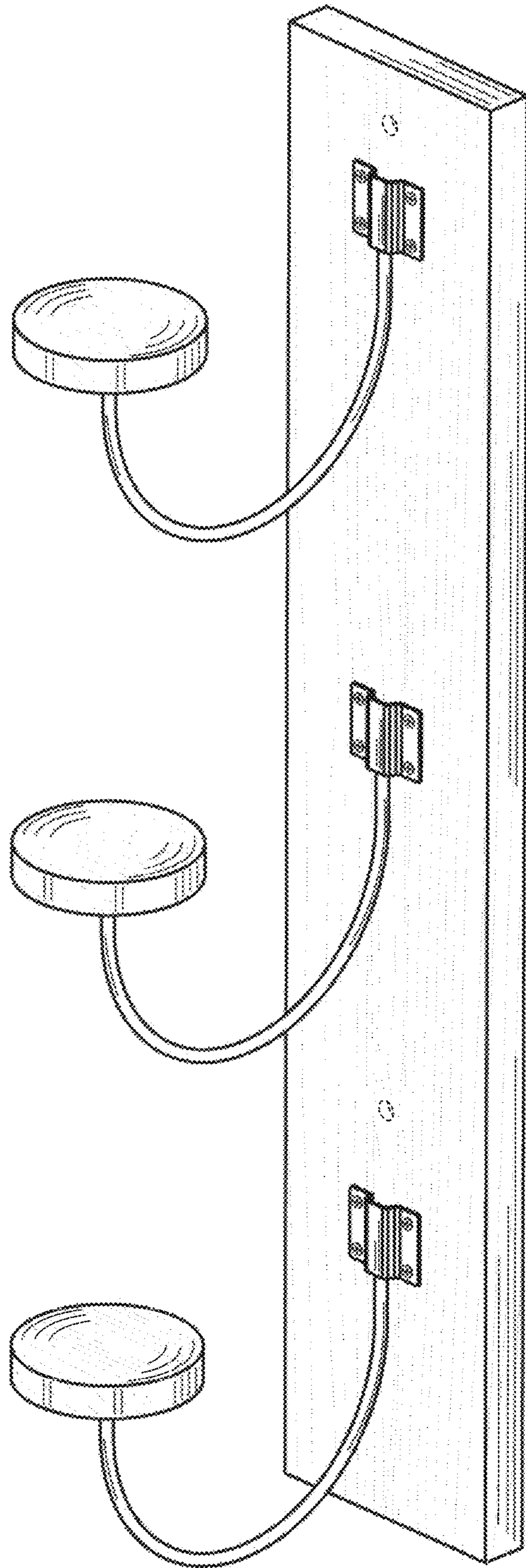


FIG. 1

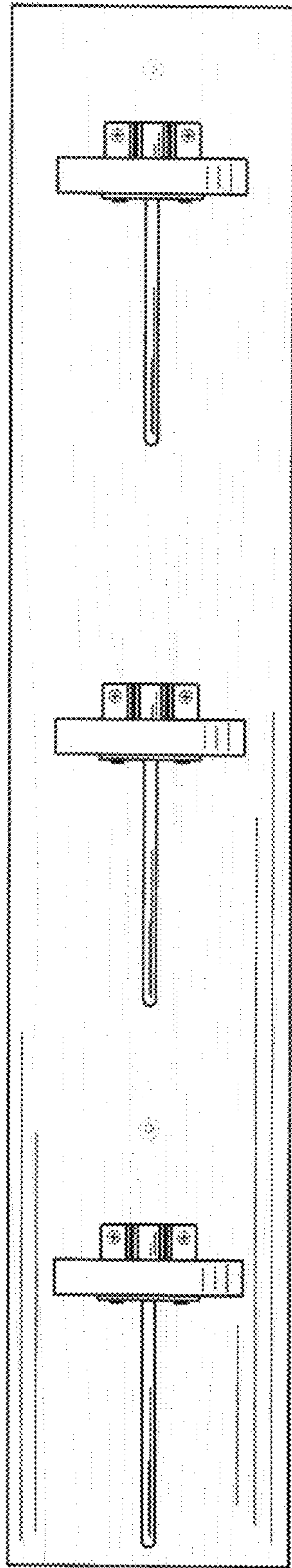


FIG. 2

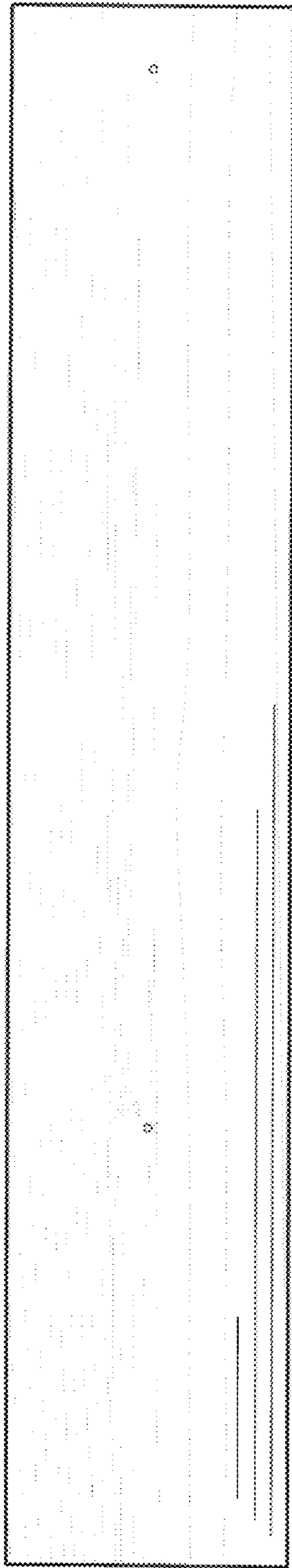


FIG. 3

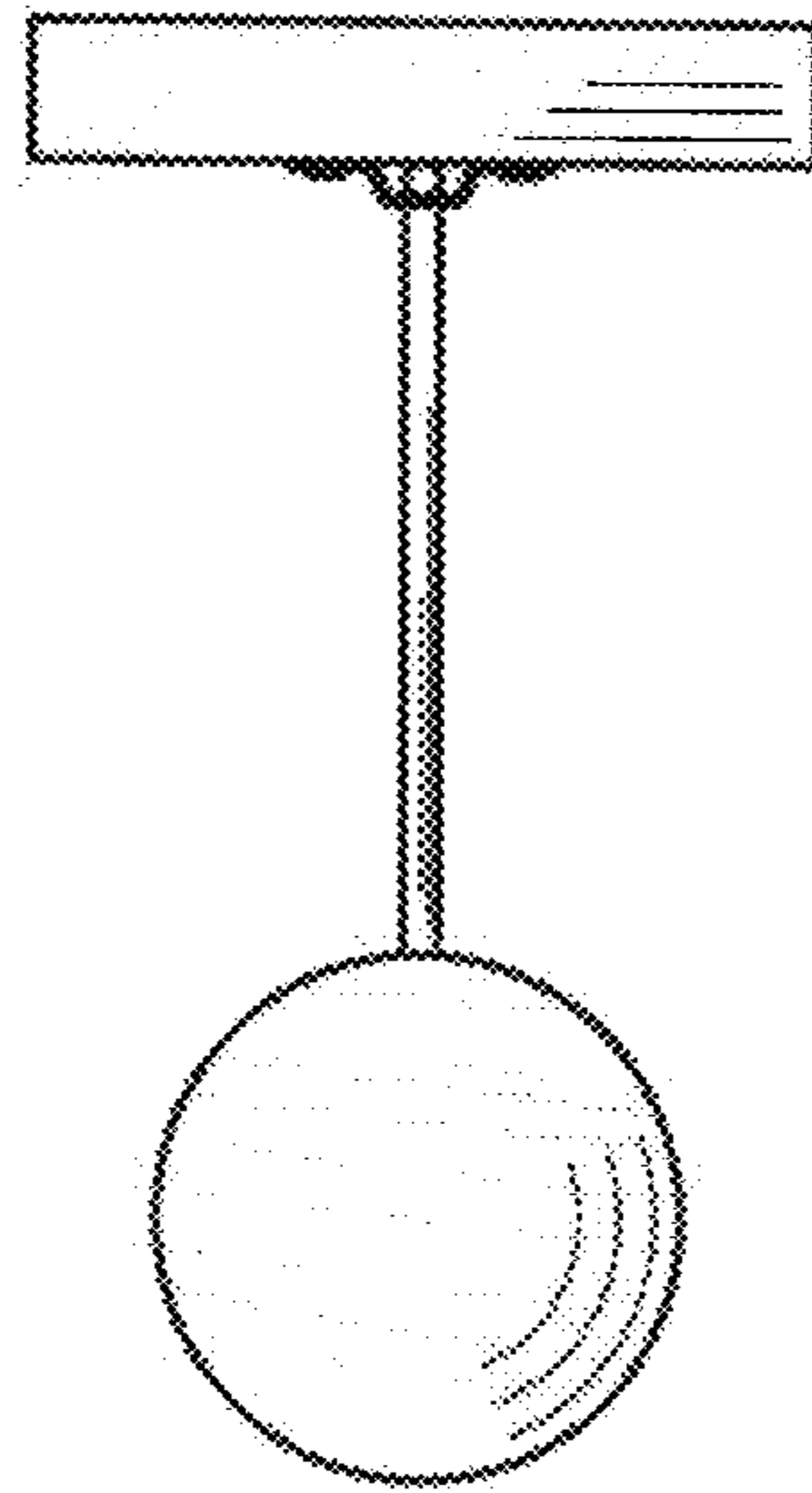


FIG. 4

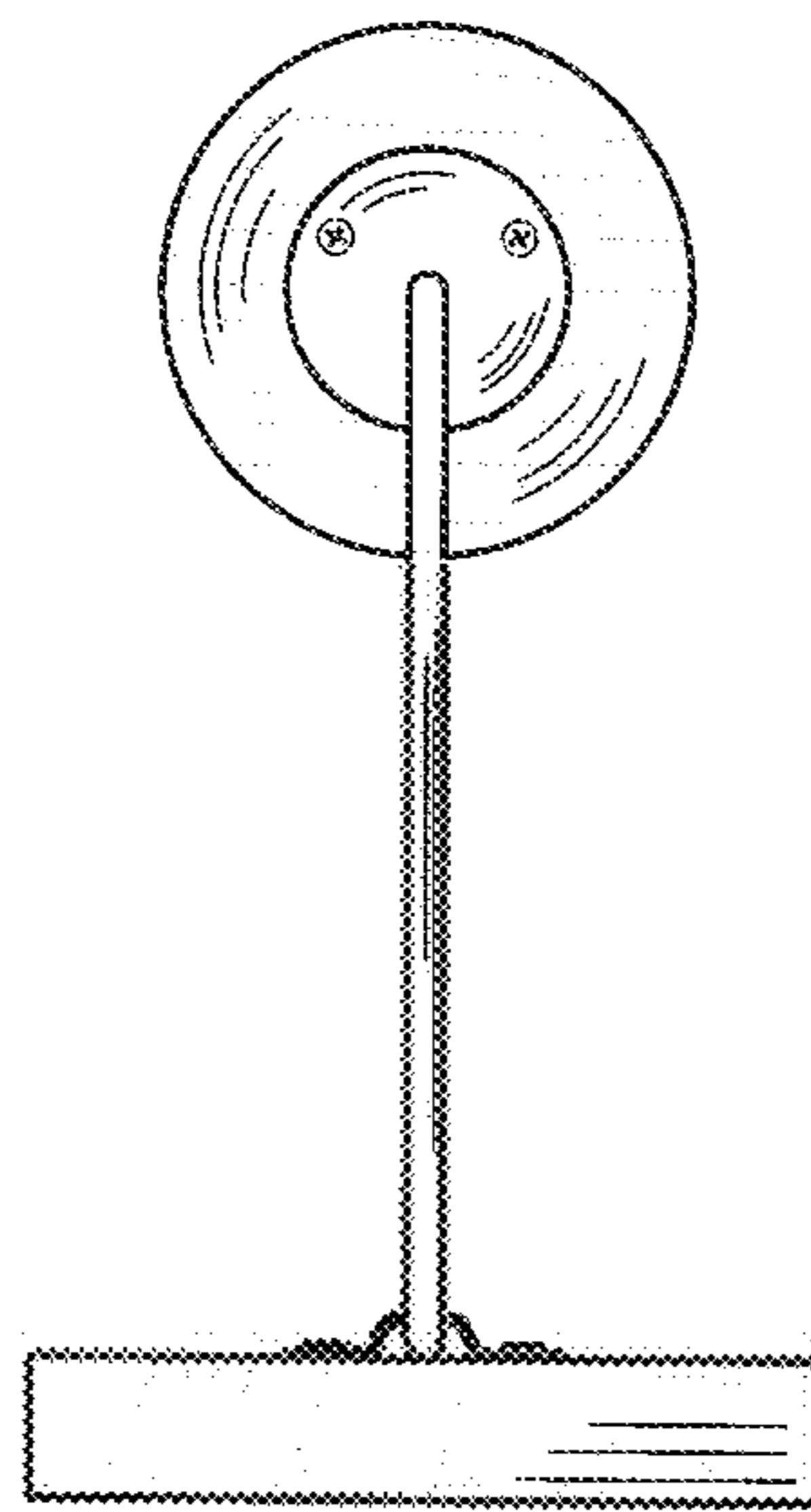


FIG. 5

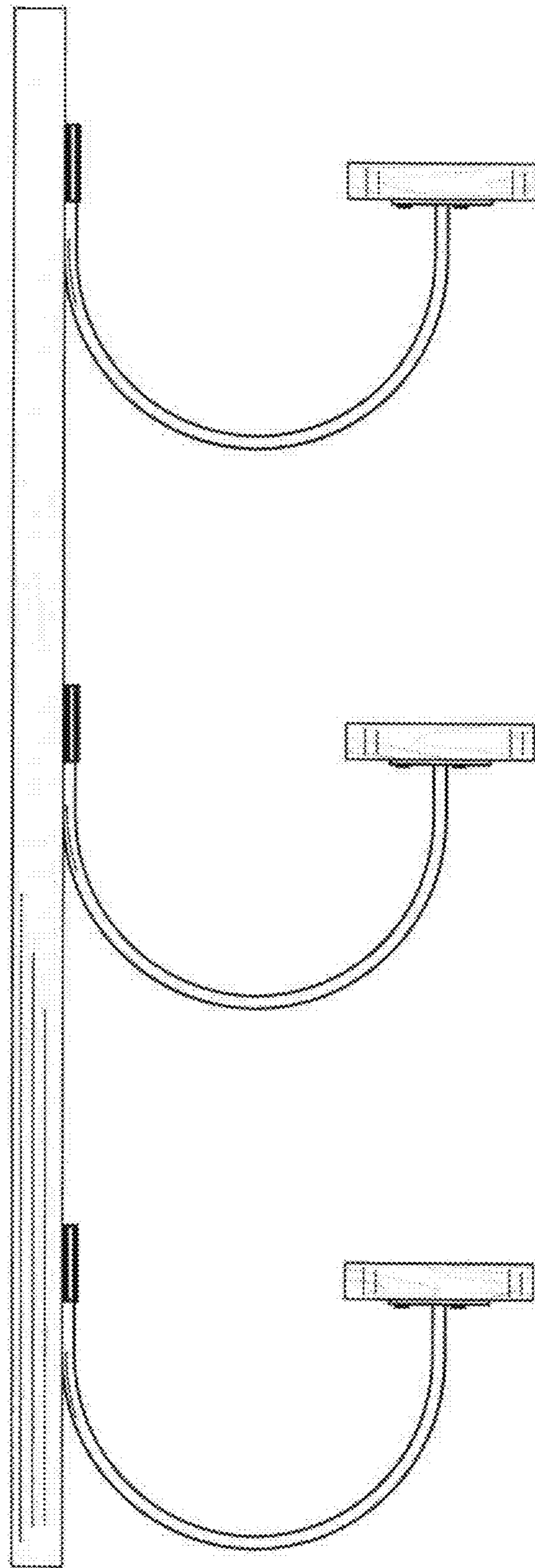


FIG. 6

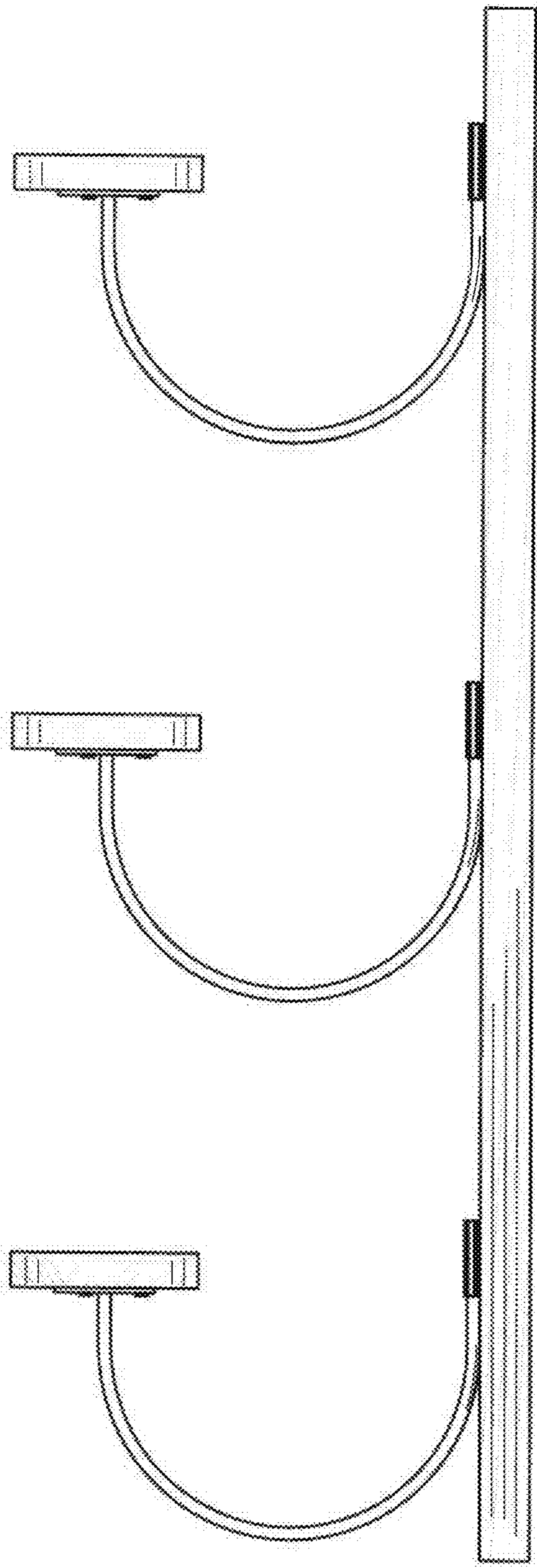


FIG. 7