



US00D935792S

(12) **United States Design Patent**
Li et al.

(10) **Patent No.:** **US D935,792 S**

(45) **Date of Patent:** **** Nov. 16, 2021**

(54) **MIRROR**

D897,697 S 10/2020 Liu
D905,440 S * 12/2020 Yang D6/310
D927,862 S * 8/2021 Yang D6/302

(71) Applicant: **SHENZHEN YISIDAO TECHNOLOGY CO., LTD**, Shenzhen (CN)

FOREIGN PATENT DOCUMENTS

(72) Inventors: **Jun Li**, Shenzhen (CN); **Feng Li**, Shenzhen (CN)

EM EU 05625886-0001 * 10/2018

* cited by examiner

(73) Assignee: **SHENZHEN YISIDAO TECHNOLOGY CO., LTD.**, Shenzhen (CN)

Primary Examiner — Deanna L Pratt

(57) **CLAIM**

The ornamental design for a mirror, as shown and described.

(**) Term: **15 Years**

DESCRIPTION

(21) Appl. No.: **29/755,375**

FIG. 1 is a perspective view of a mirror showing my new design;

(22) Filed: **Oct. 20, 2020**

FIG. 2 is another perspective view thereof;

(51) **LOC (13) Cl.** **06-07**

FIG. 3 is a front view thereof;

(52) **U.S. Cl.**

FIG. 4 is a rear view thereof;

USPC **D6/302; D6/310**

FIG. 5 is a left side view thereof;

(58) **Field of Classification Search**

FIG. 6 is a right side view thereof;

USPC **D6/300-314**

FIG. 7 is a top plan view thereof;

CPC .. **A47G 1/00; A47G 2001/002; F21V 33/004; A45D 42/10**

FIG. 8 is a bottom plan view thereof;

See application file for complete search history.

FIG. 9 is a perspective view of a mirror in its use state;

(56) **References Cited**

U.S. PATENT DOCUMENTS

D825,205 S * 8/2018 Liu D6/310
D833,762 S * 11/2018 Liu D6/310
D874,836 S * 2/2020 Li D6/312
D886,469 S * 6/2020 Liu D6/310
D895,986 S 9/2020 Yang
D897,696 S * 10/2020 Zhou D6/310

FIG. 10 is another perspective view thereof in its use state;

FIG. 11 is a front view thereof in its use state;

FIG. 12 is a rear view thereof in its use state;

FIG. 13 is a left side view thereof in its use state;

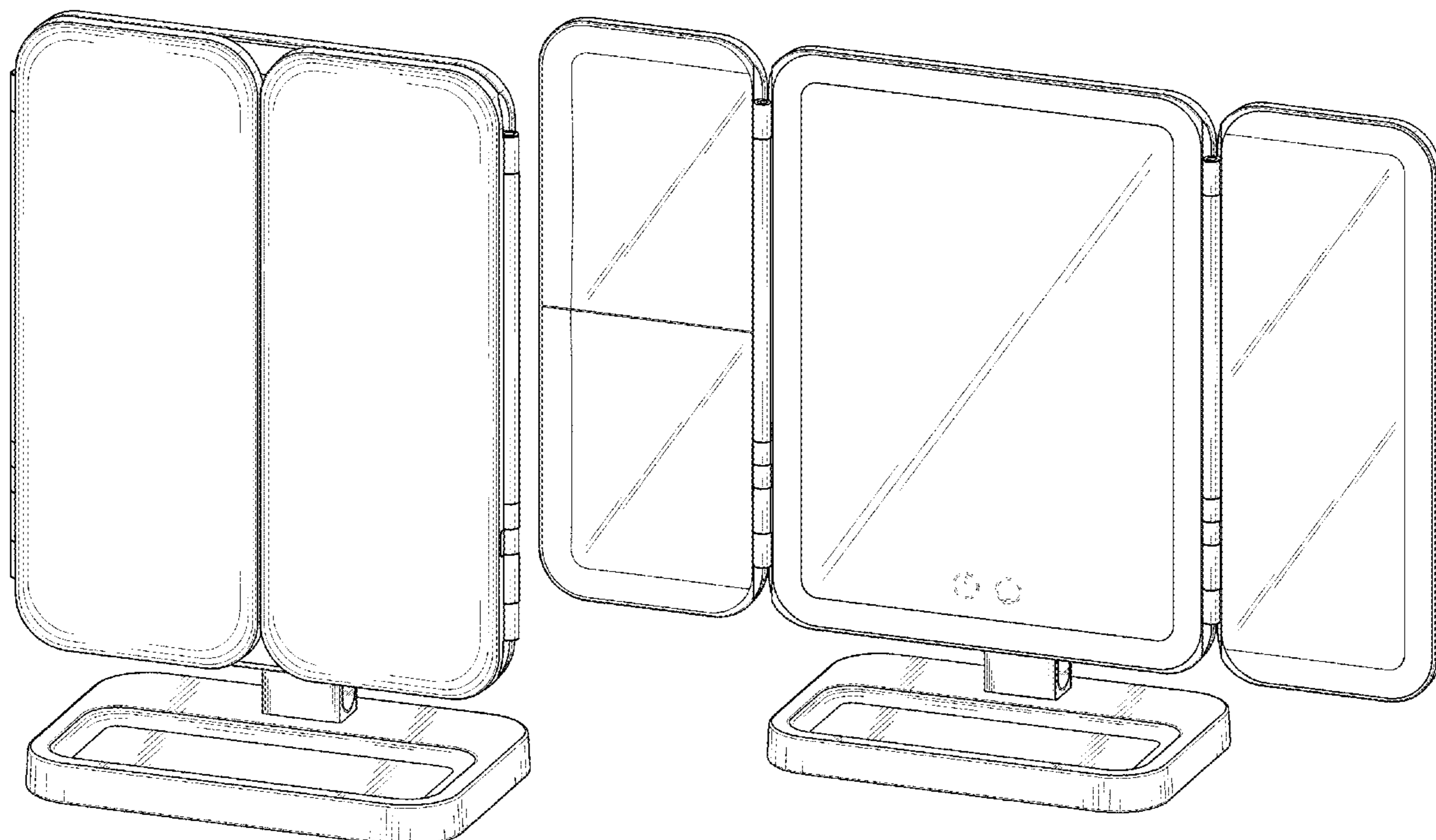
FIG. 14 is a right side view thereof in its use state;

FIG. 15 is a top plan view thereof in its use state; and,

FIG. 16 is a bottom plan view thereof in its use state.

The broken lines in the figures illustrate portions of the mirror that form no part of the claimed design.

1 Claim, 12 Drawing Sheets



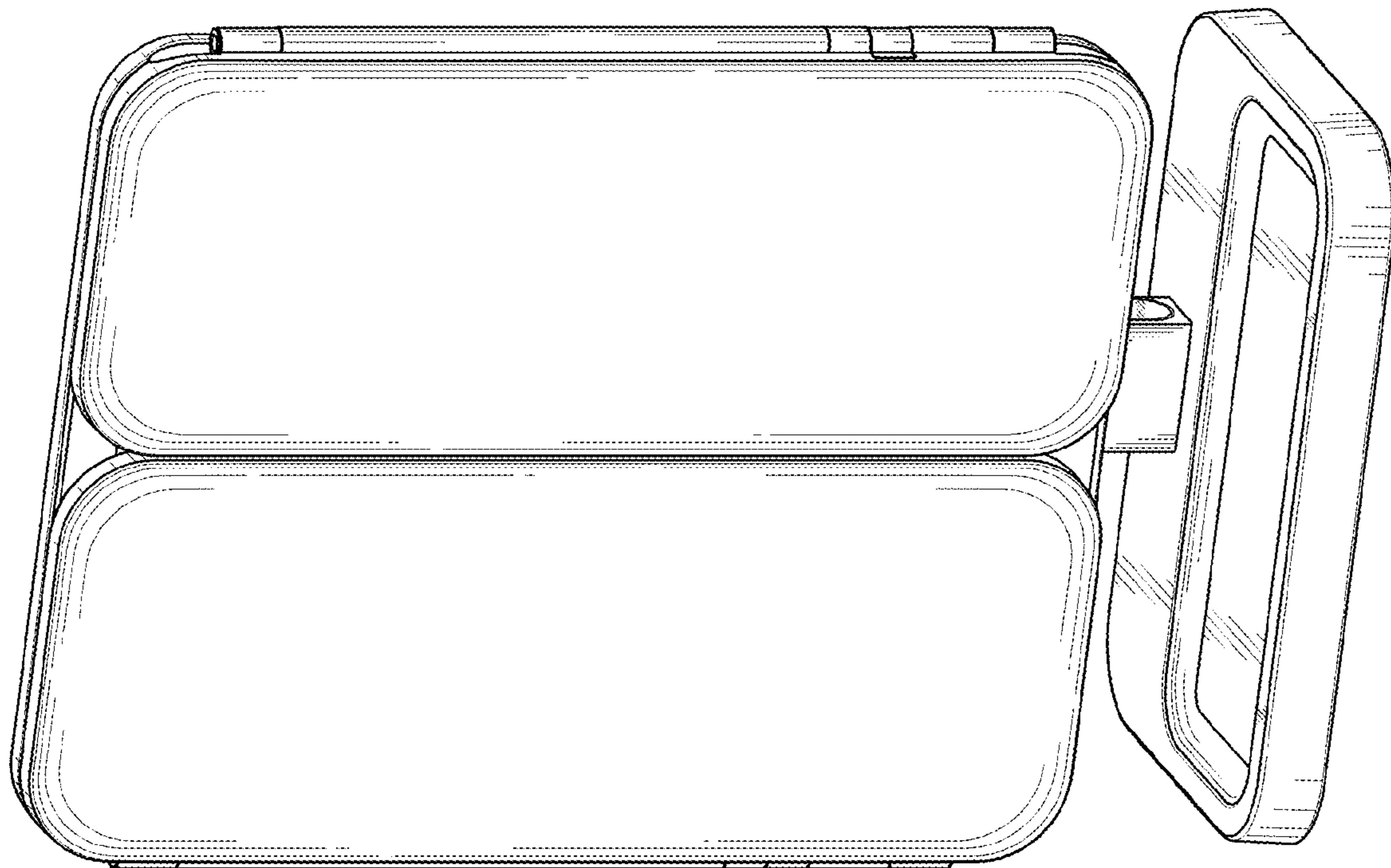


FIG. 1

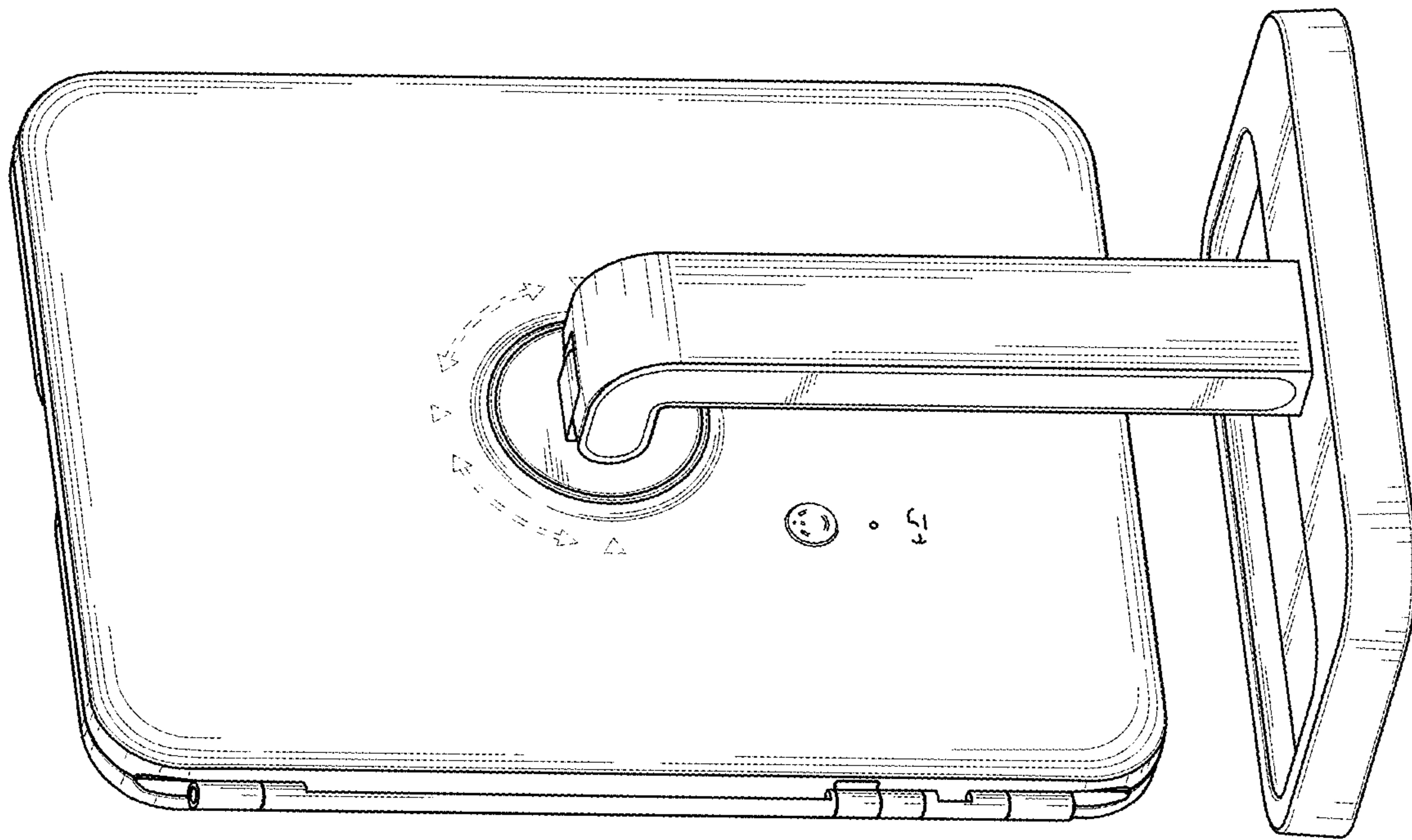


FIG. 2

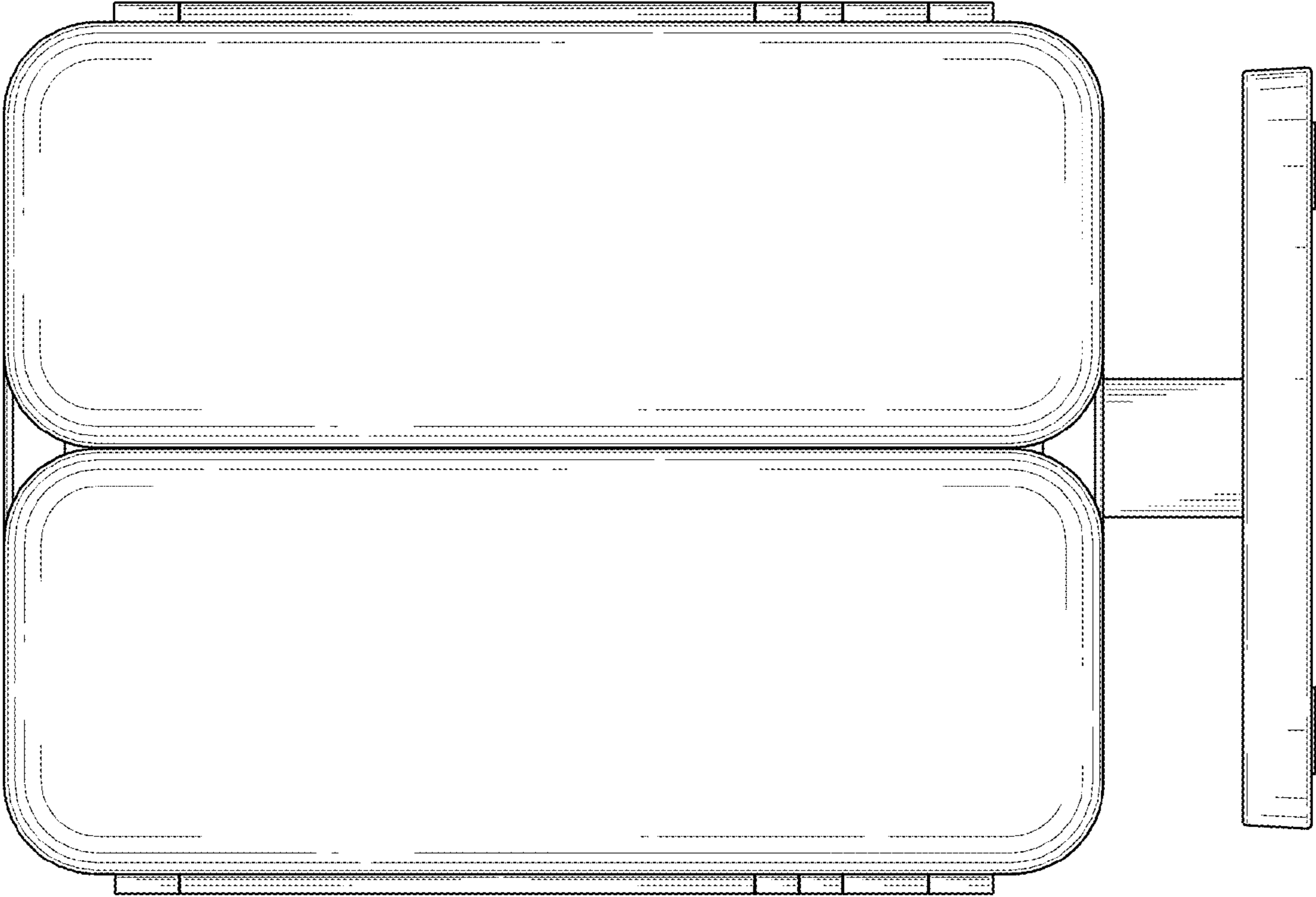


FIG. 3

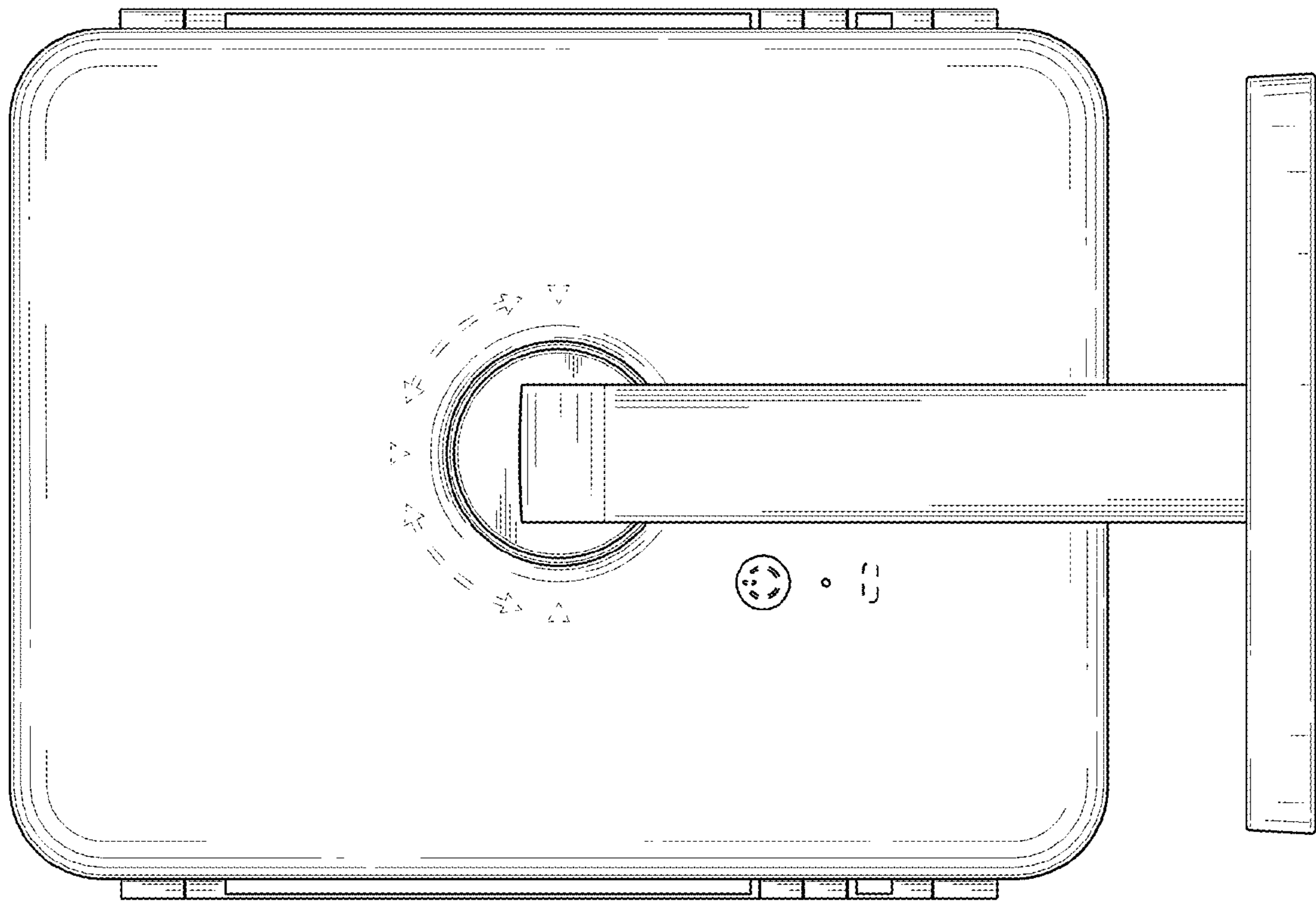


FIG. 4

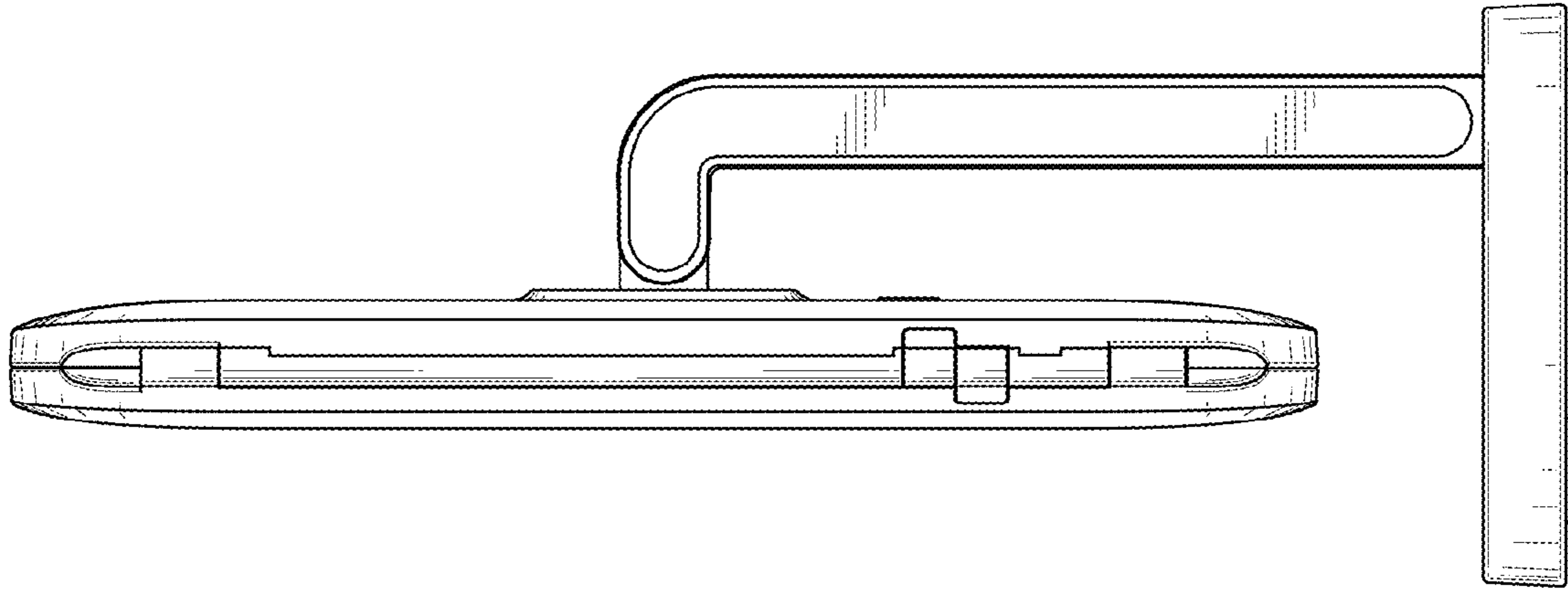


FIG. 6

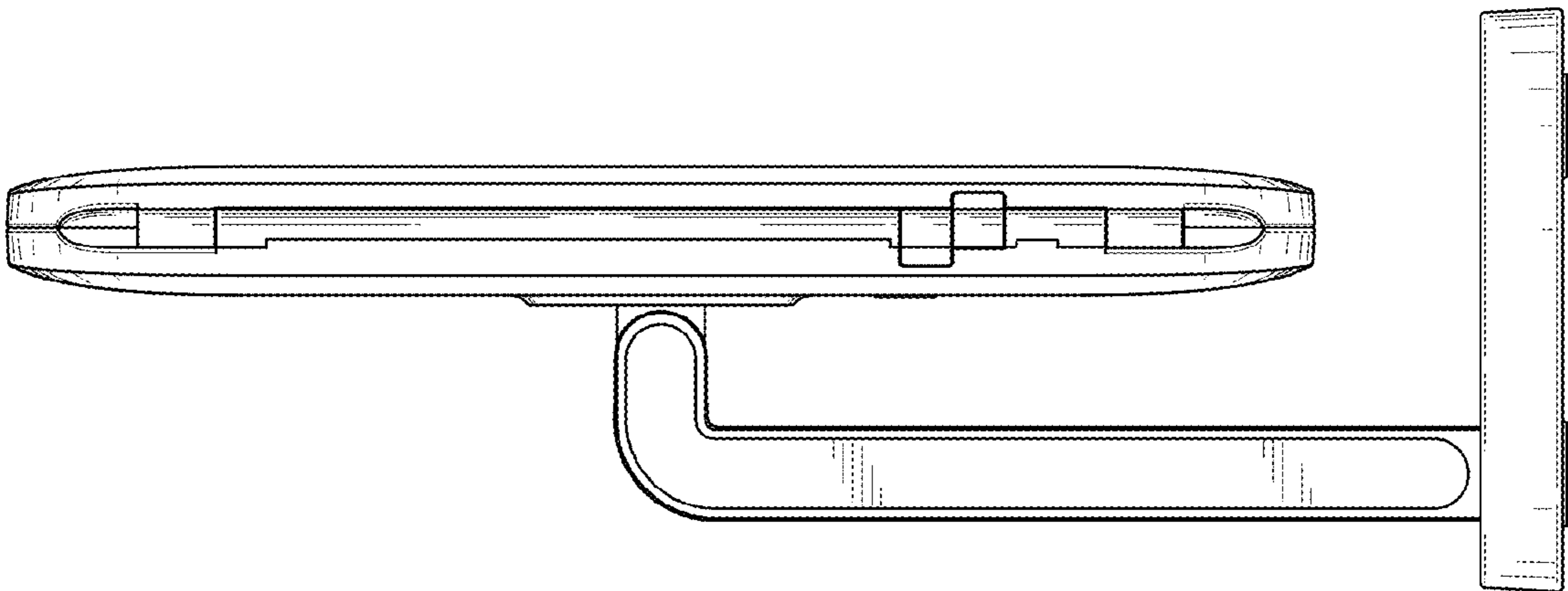


FIG. 5

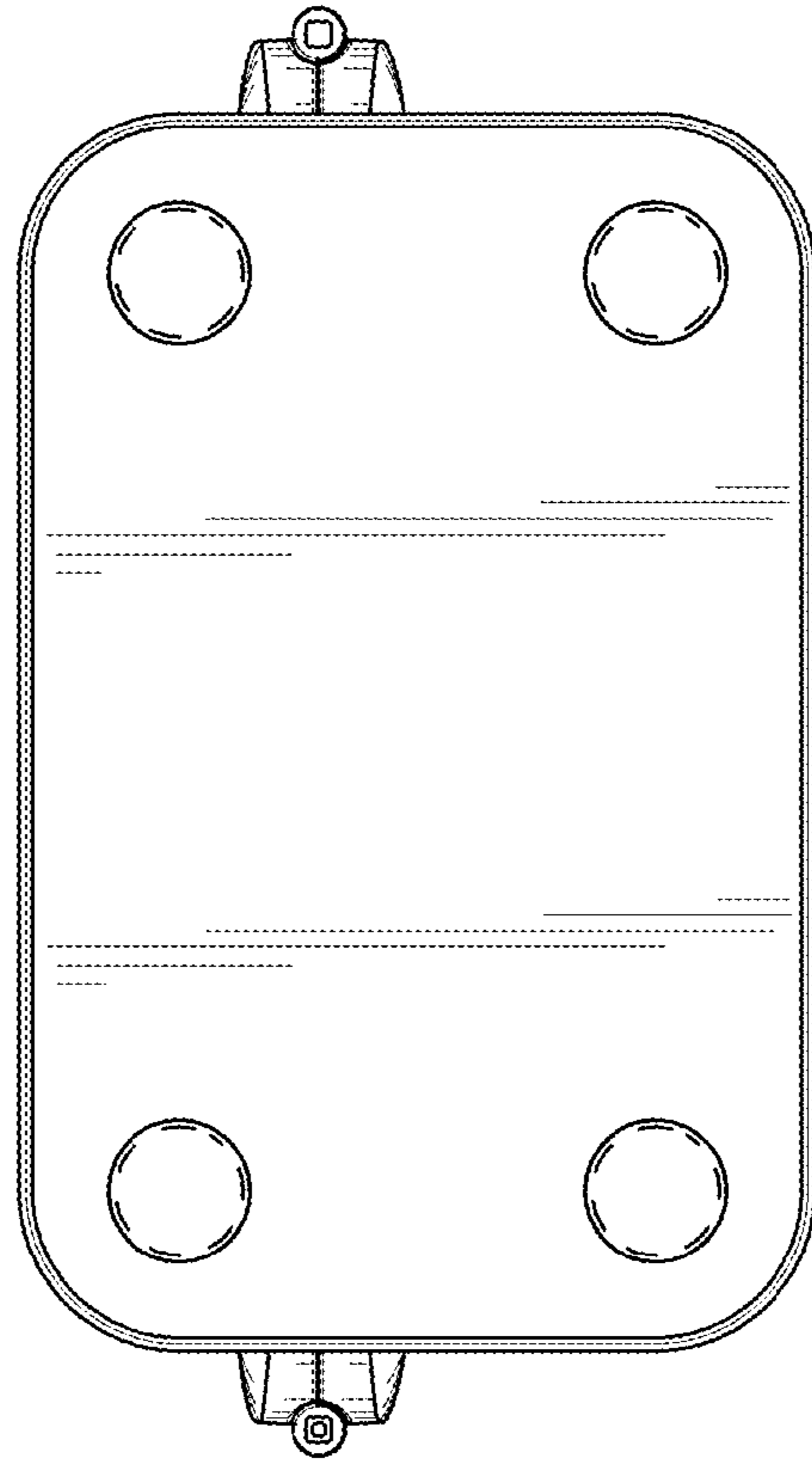


FIG. 8

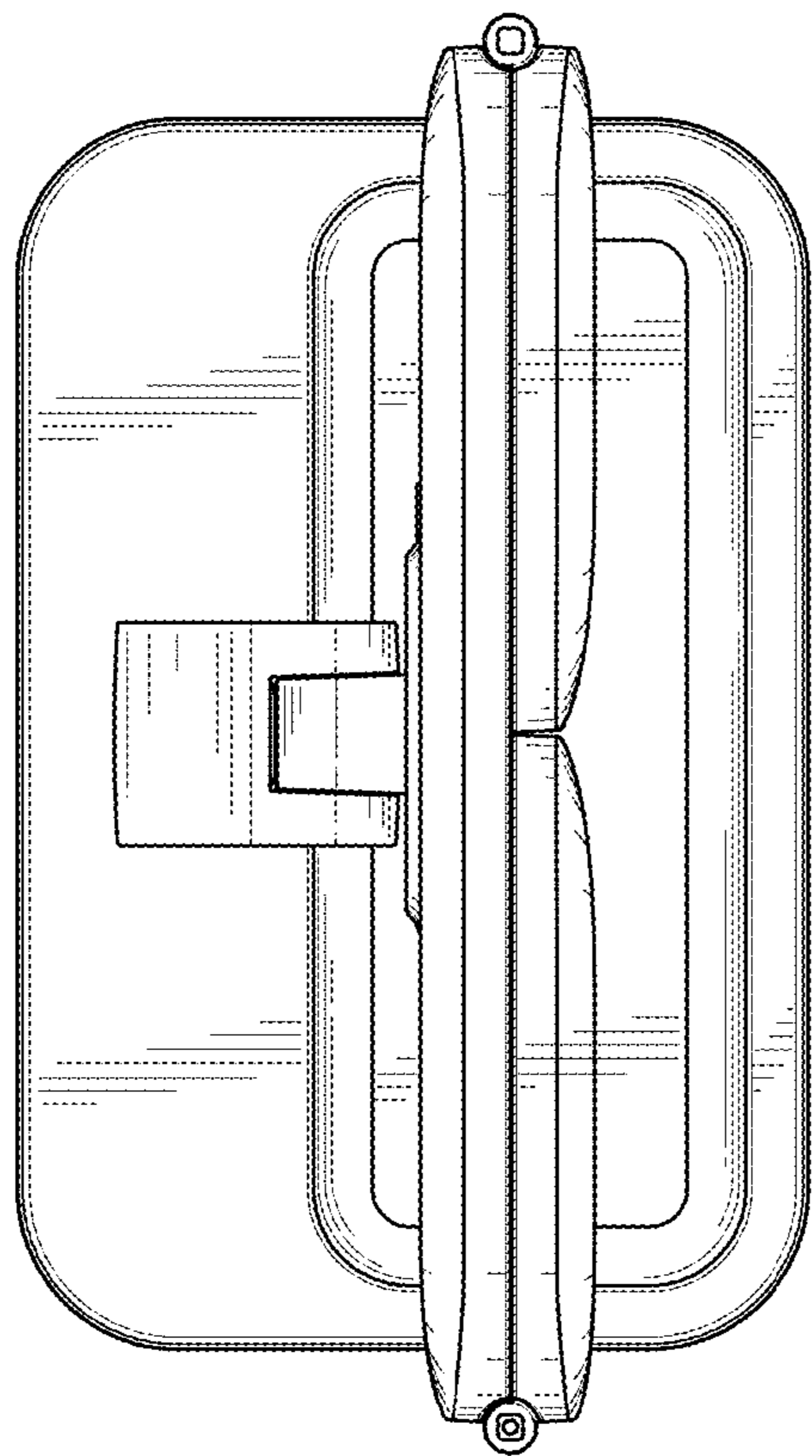


FIG. 7

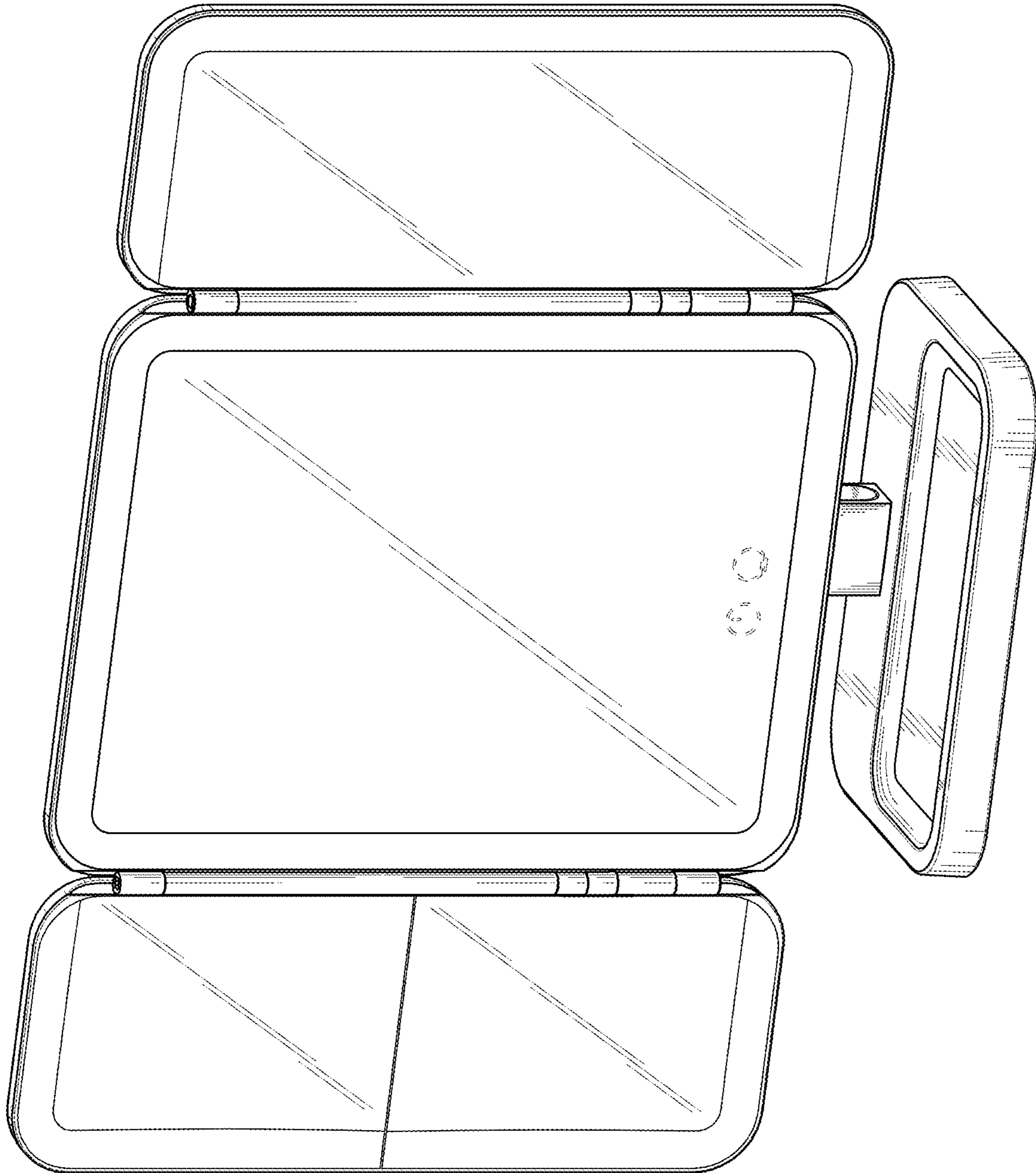


FIG. 9

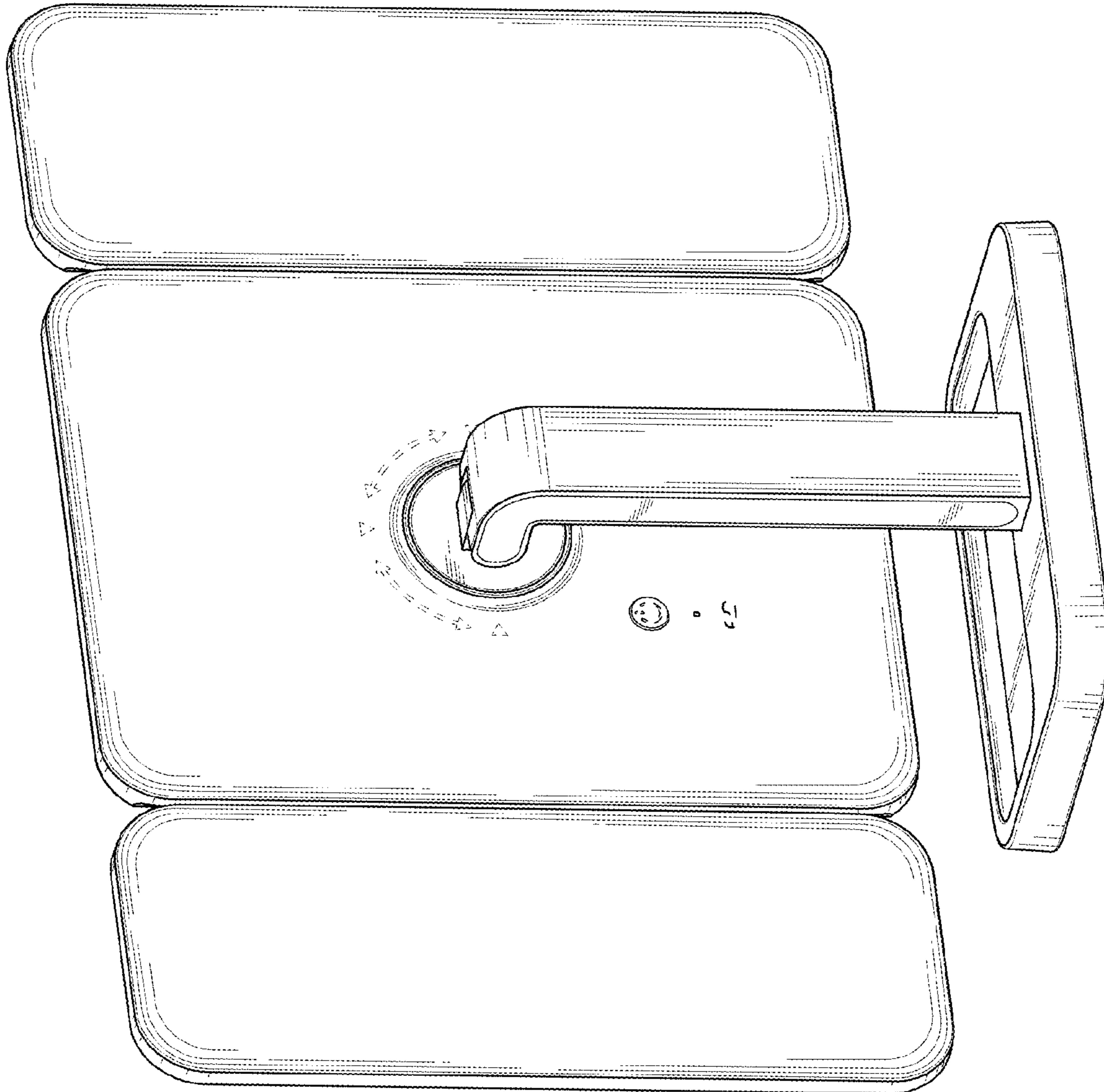


FIG. 10

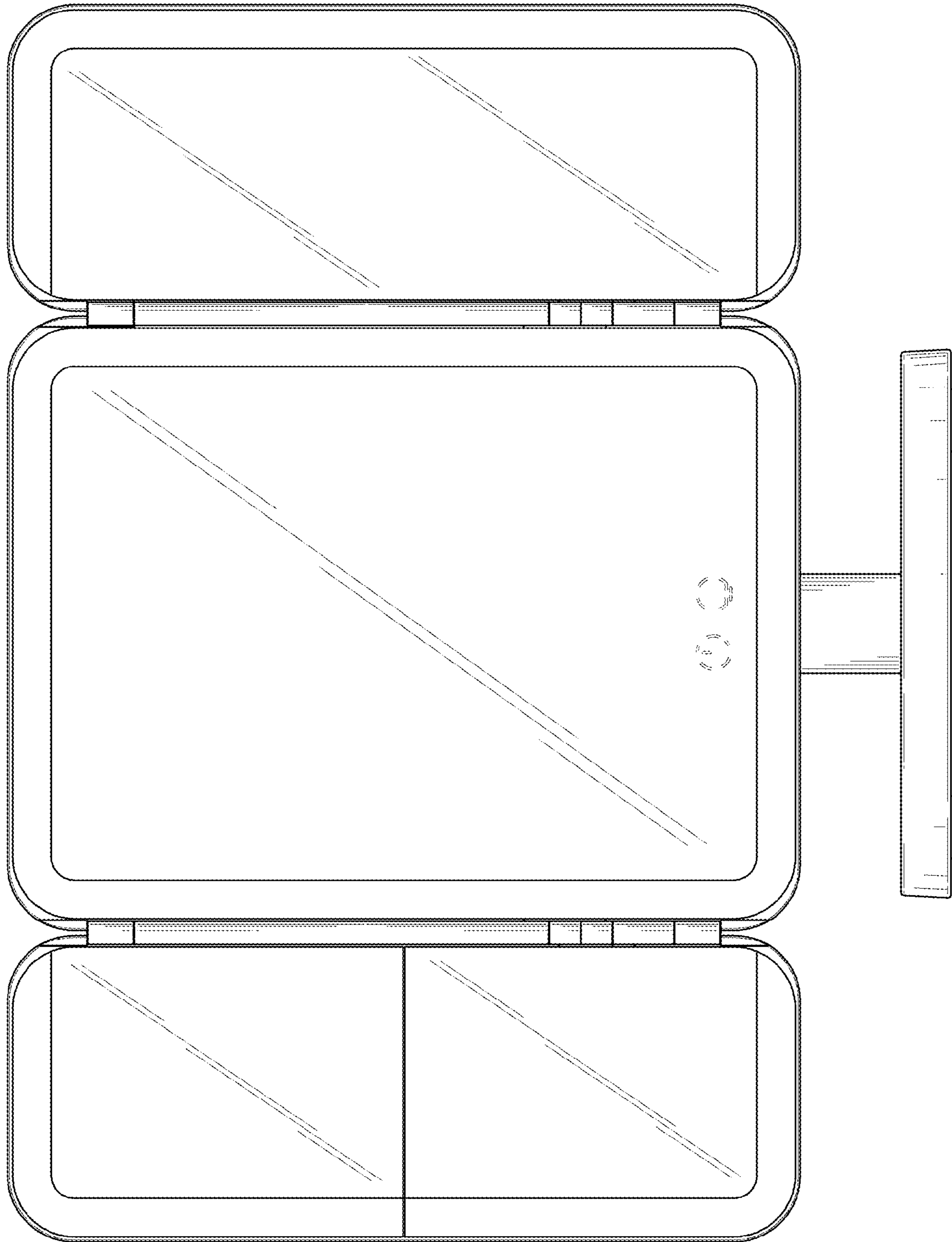


FIG. 11

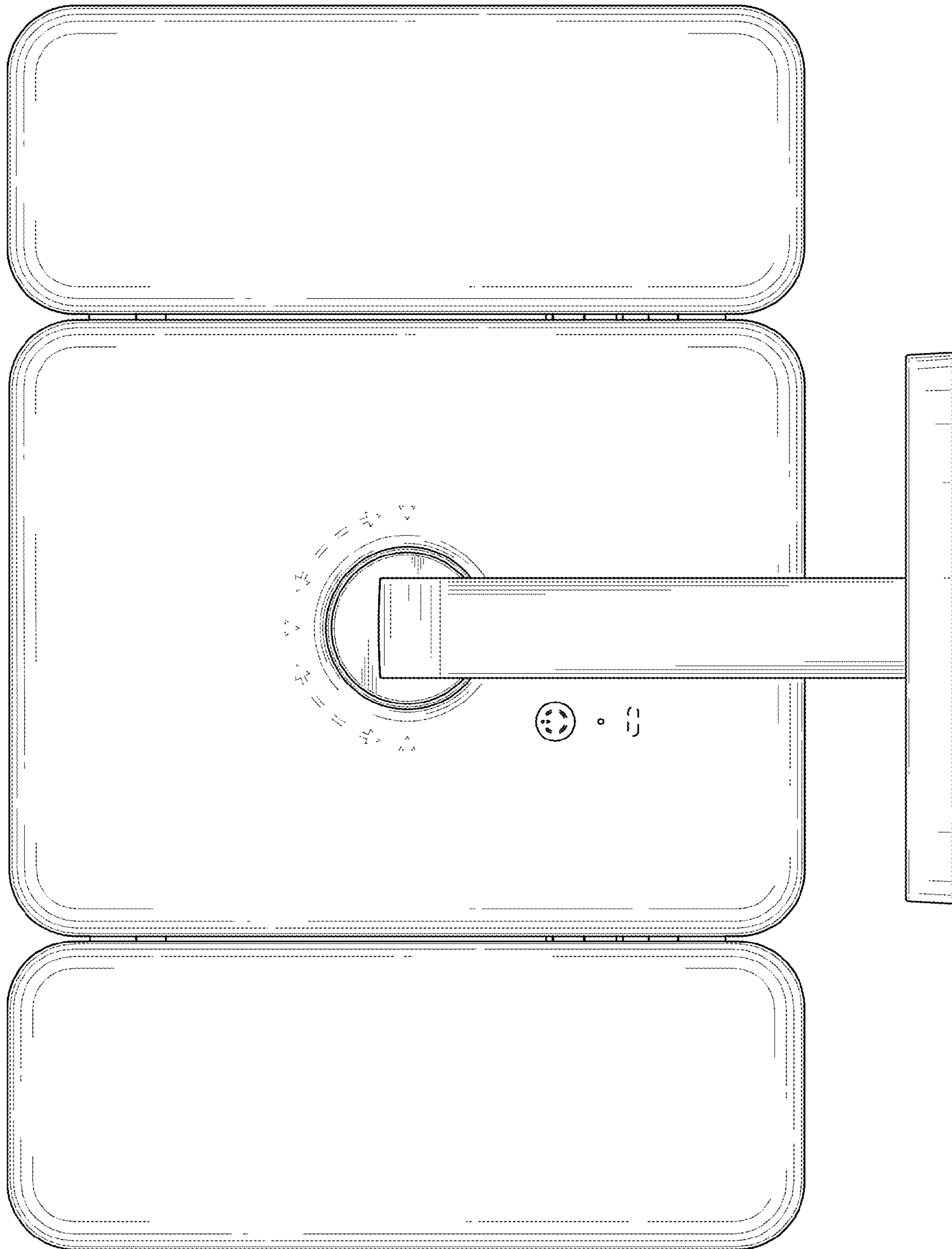


FIG. 12

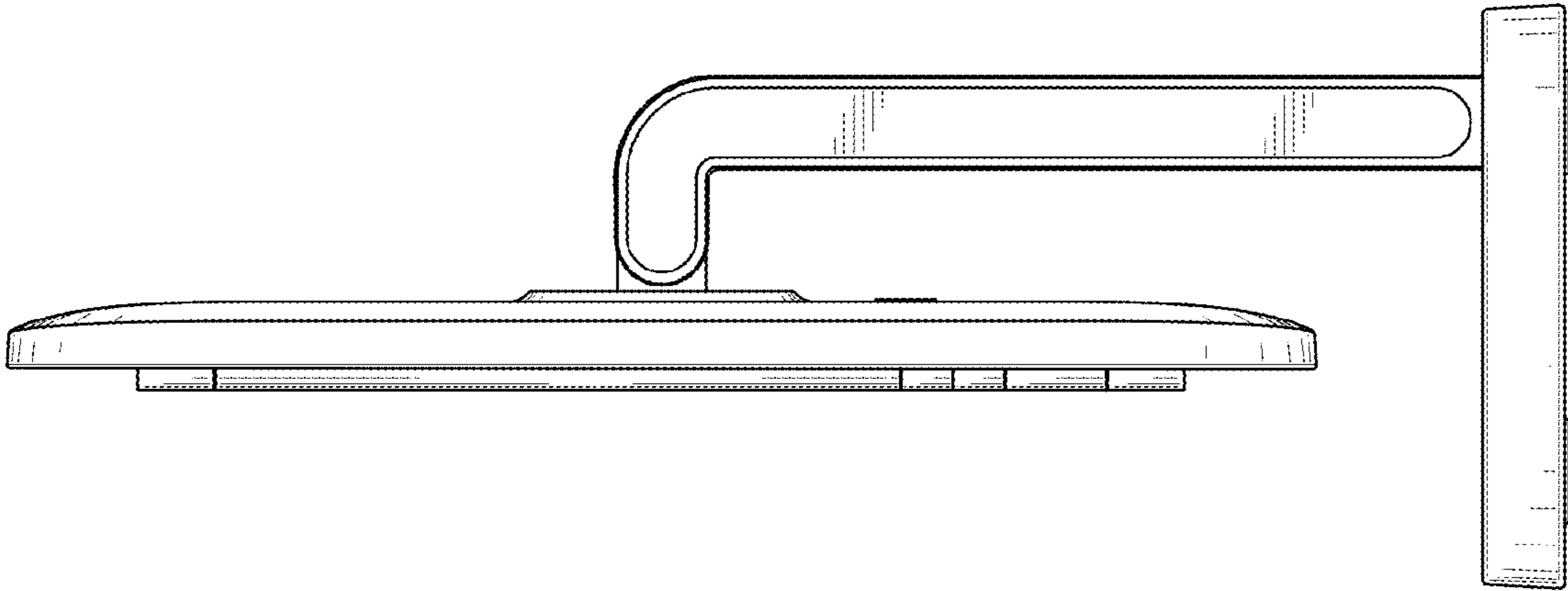


FIG. 13

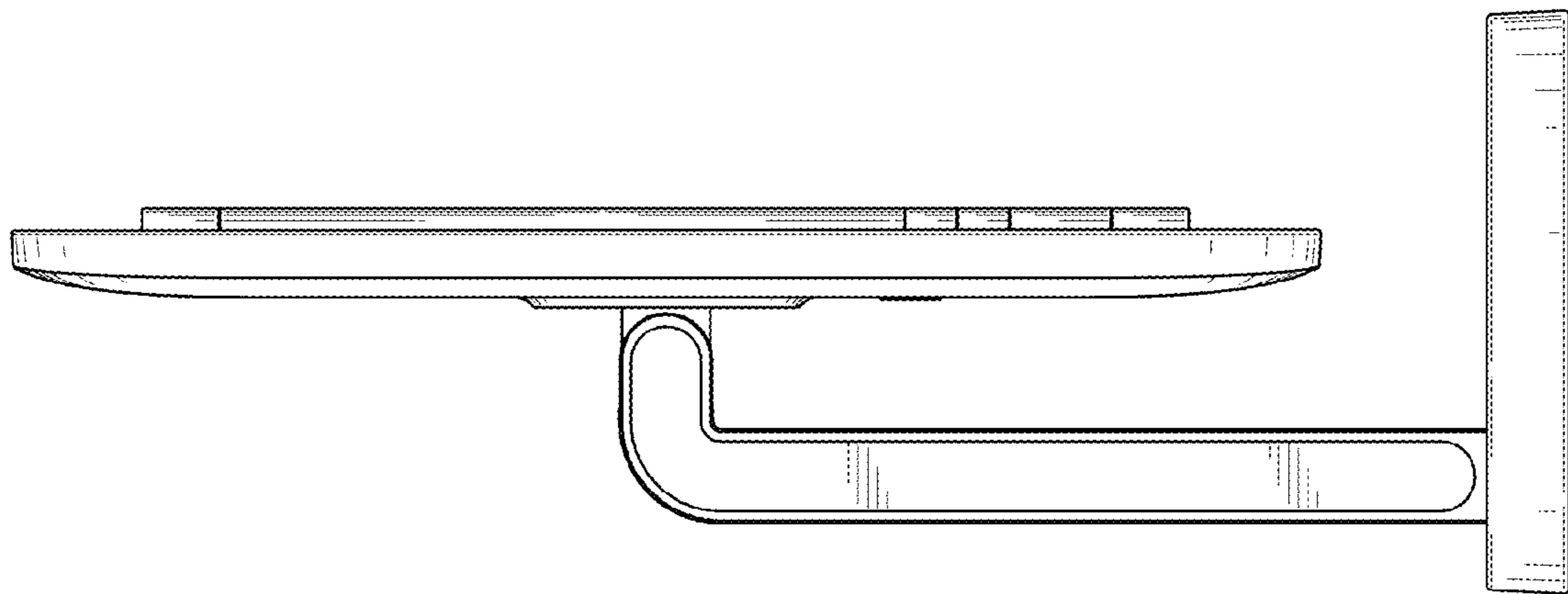


FIG. 14

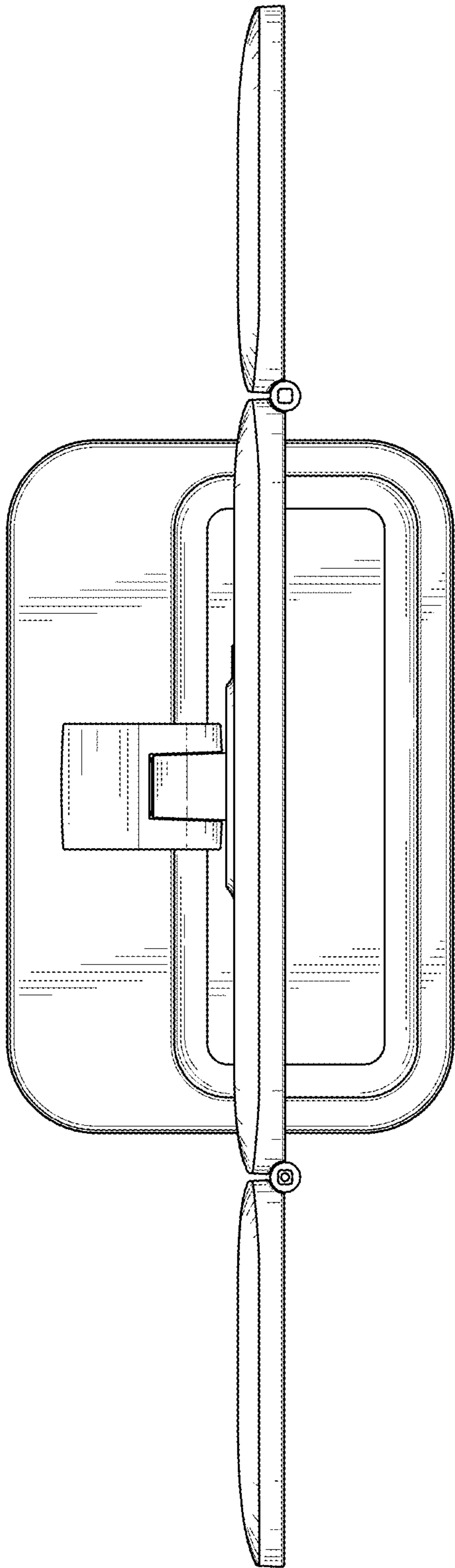


FIG. 15

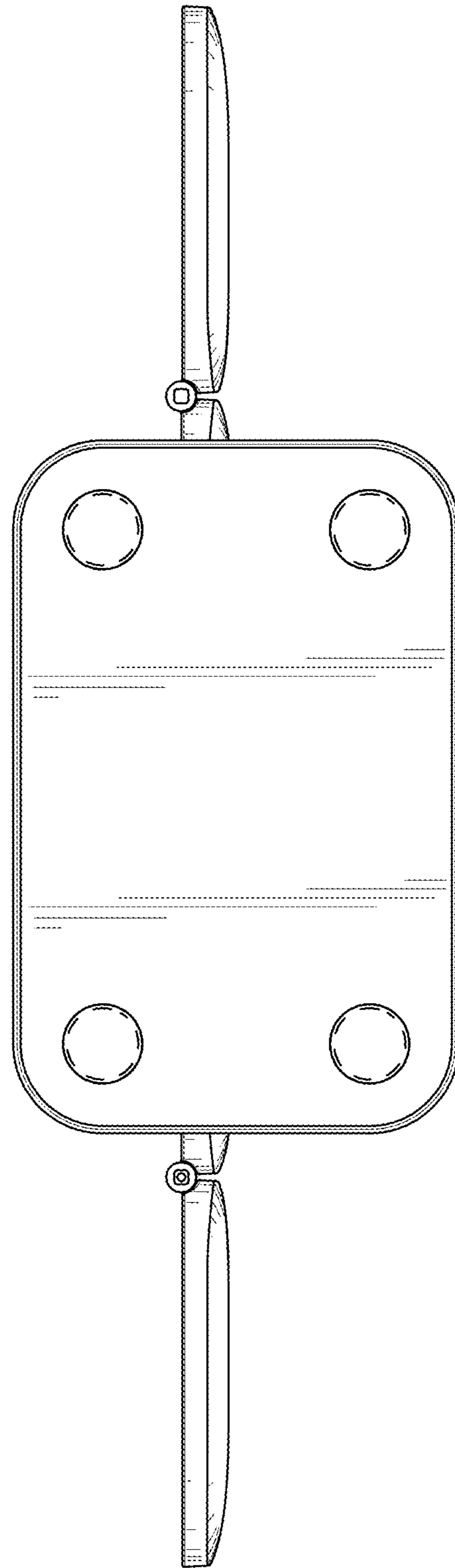


FIG. 16