



US00D935791S

(12) **United States Design Patent**
Li et al.

(10) **Patent No.:** **US D935,791 S**
(45) **Date of Patent:** **** Nov. 16, 2021**

(54) **MAKEUP MIRROR**

(71) Applicant: **Shenzhen Kean Digital Co., Ltd.**,
Shenzhen (CN)

(72) Inventors: **Jun Li**, Shenzhen (CN); **Feng Li**,
Shenzhen (CN)

(**) Term: **15 Years**

(21) Appl. No.: **29/757,934**

(22) Filed: **Nov. 10, 2020**

(51) **LOC (13) Cl.** **06-07**

(52) **U.S. Cl.**
USPC **D6/300; D6/309**

(58) **Field of Classification Search**
USPC D6/300-314
CPC A47G 1/00; A47G 1/0633; A47G 1/0622;
A47G 1/04; A47G 2200/08; A47G
2200/085; A45D 42/20
See application file for complete search history.

(56) **References Cited**

U.S. PATENT DOCUMENTS

D701,050 S * 3/2014 Yang D6/309
D736,001 S * 8/2015 Yang D6/309
D885,769 S * 6/2020 Wang D6/309
D891,123 S * 7/2020 Li D6/310

D892,508 S * 8/2020 Yang D6/309
D897,695 S * 10/2020 Yang D6/309
D898,383 S 10/2020 Zhou
D898,386 S * 10/2020 Huang D6/309
D898,387 S 10/2020 Yang
D901,908 S * 11/2020 Zhao D6/309
D909,770 S * 2/2021 Li D6/309
D919,983 S * 5/2021 Yang D6/312
D919,984 S * 5/2021 Yang D6/312
D924,456 S * 7/2021 Zhao D26/56
D925,928 S * 7/2021 Yang D6/309

* cited by examiner

Primary Examiner — Deanna L Pratt

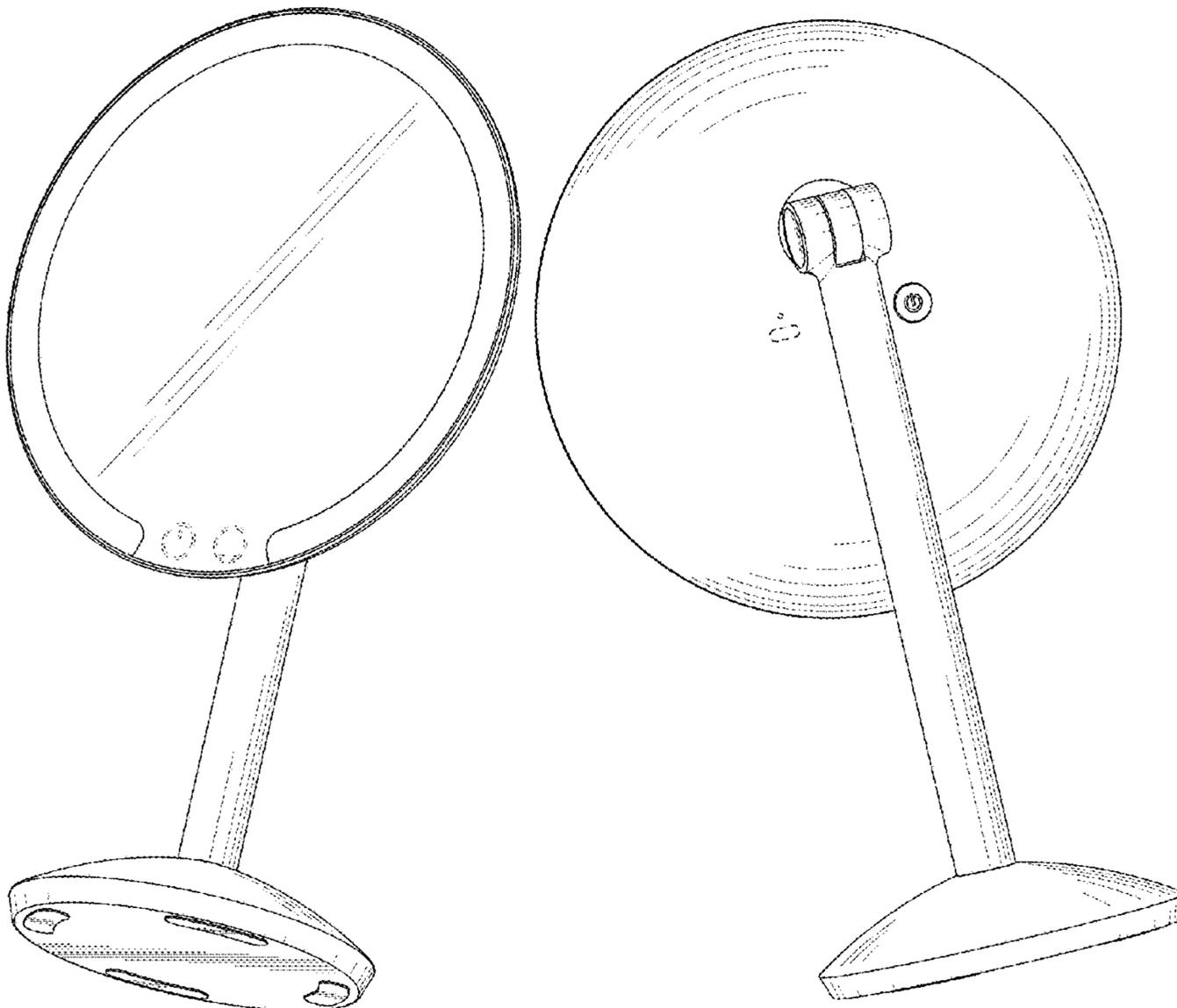
(57) **CLAIM**

The ornamental design for a makeup mirror, as shown and described.

DESCRIPTION

FIG. 1 is a perspective view of a makeup mirror showing my new design;
FIG. 2 is another perspective view thereof;
FIG. 3 is a front view thereof;
FIG. 4 is a rear view thereof;
FIG. 5 is a left side view thereof;
FIG. 6 is a right side view thereof;
FIG. 7 is a top plan view thereof; and,
FIG. 8 is a bottom plan view thereof.
The broken lines in the figures illustrate portions of the makeup mirror that form no part of the claimed design.

1 Claim, 7 Drawing Sheets



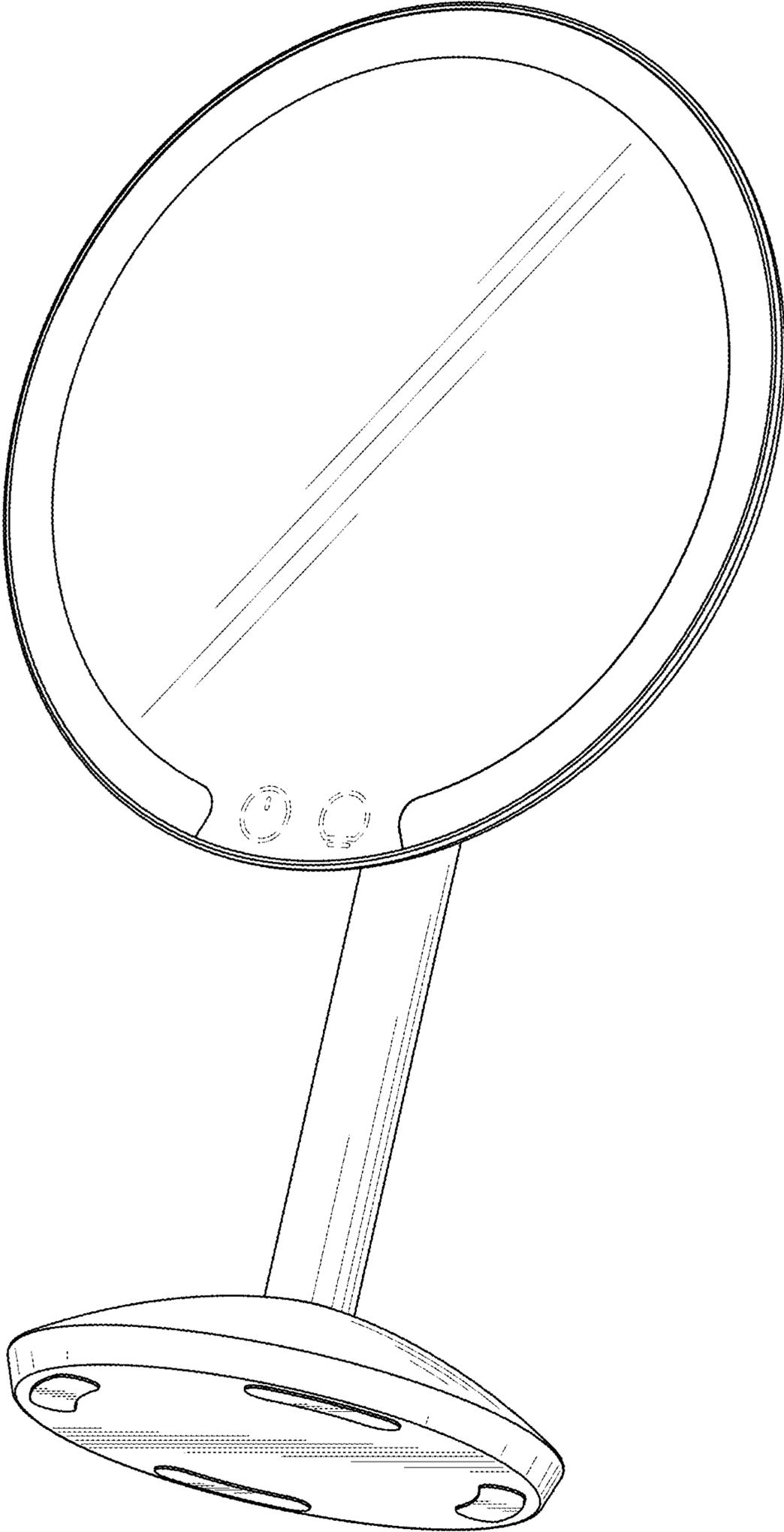


FIG. 1

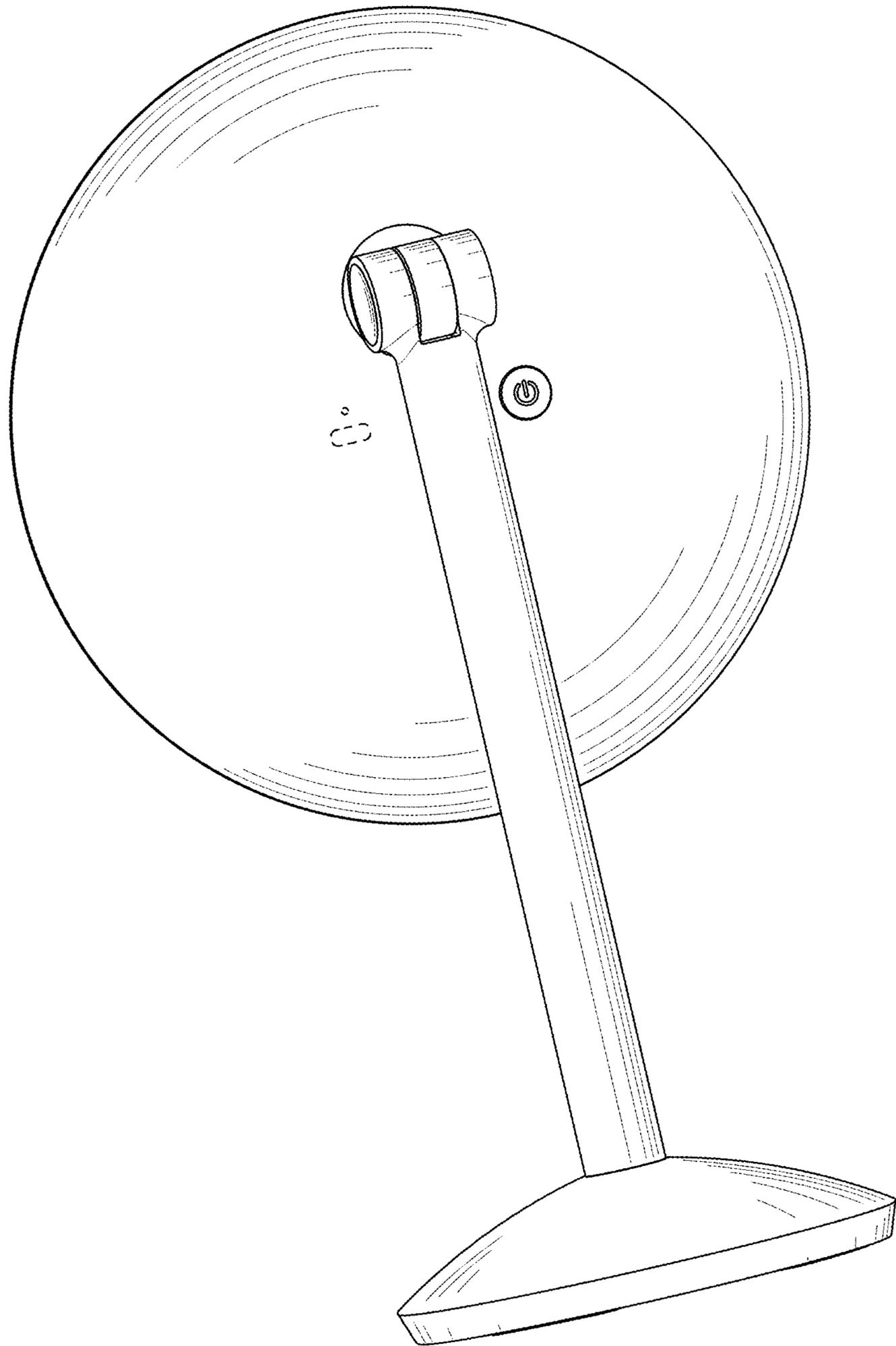


FIG. 2

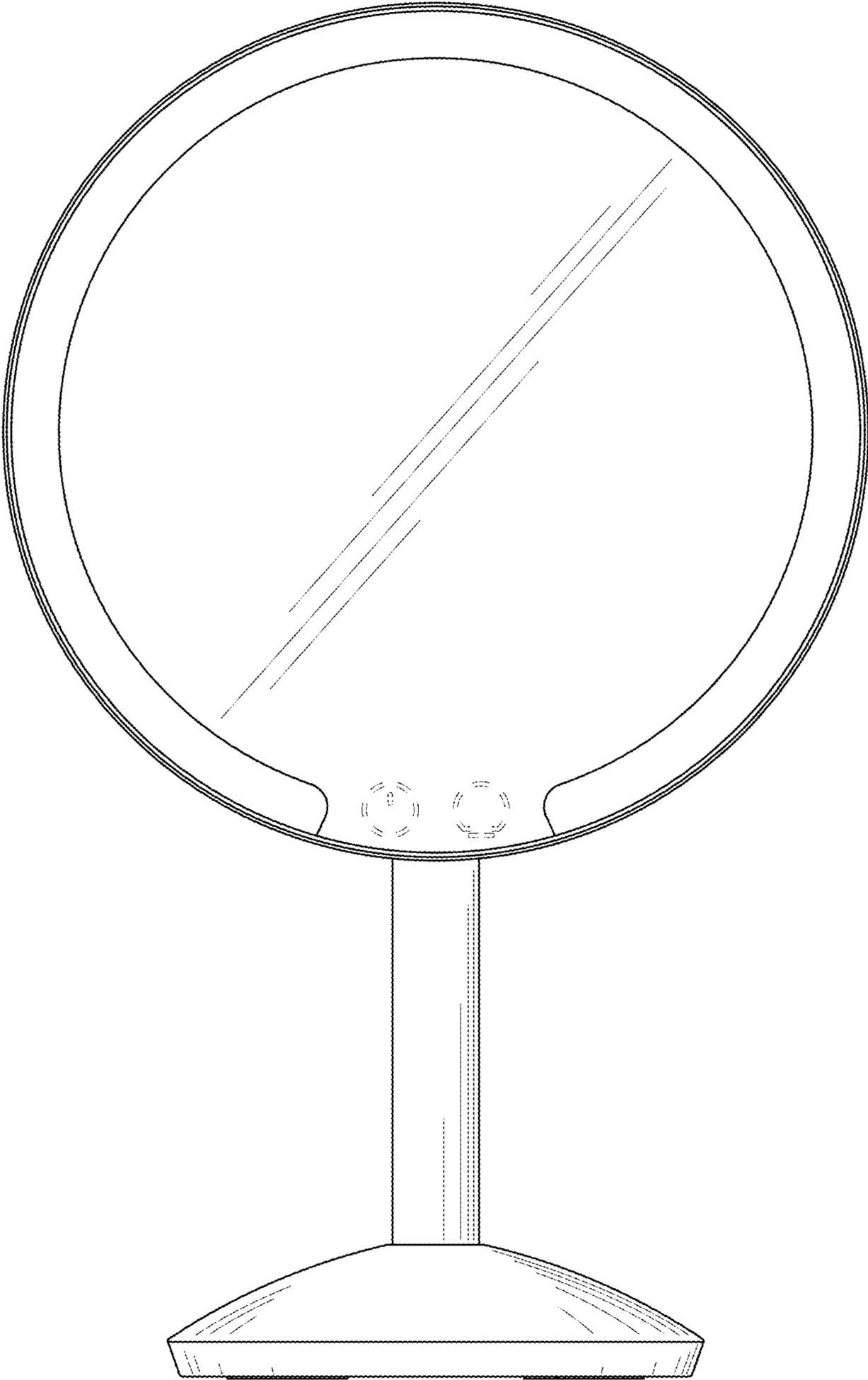


FIG. 3

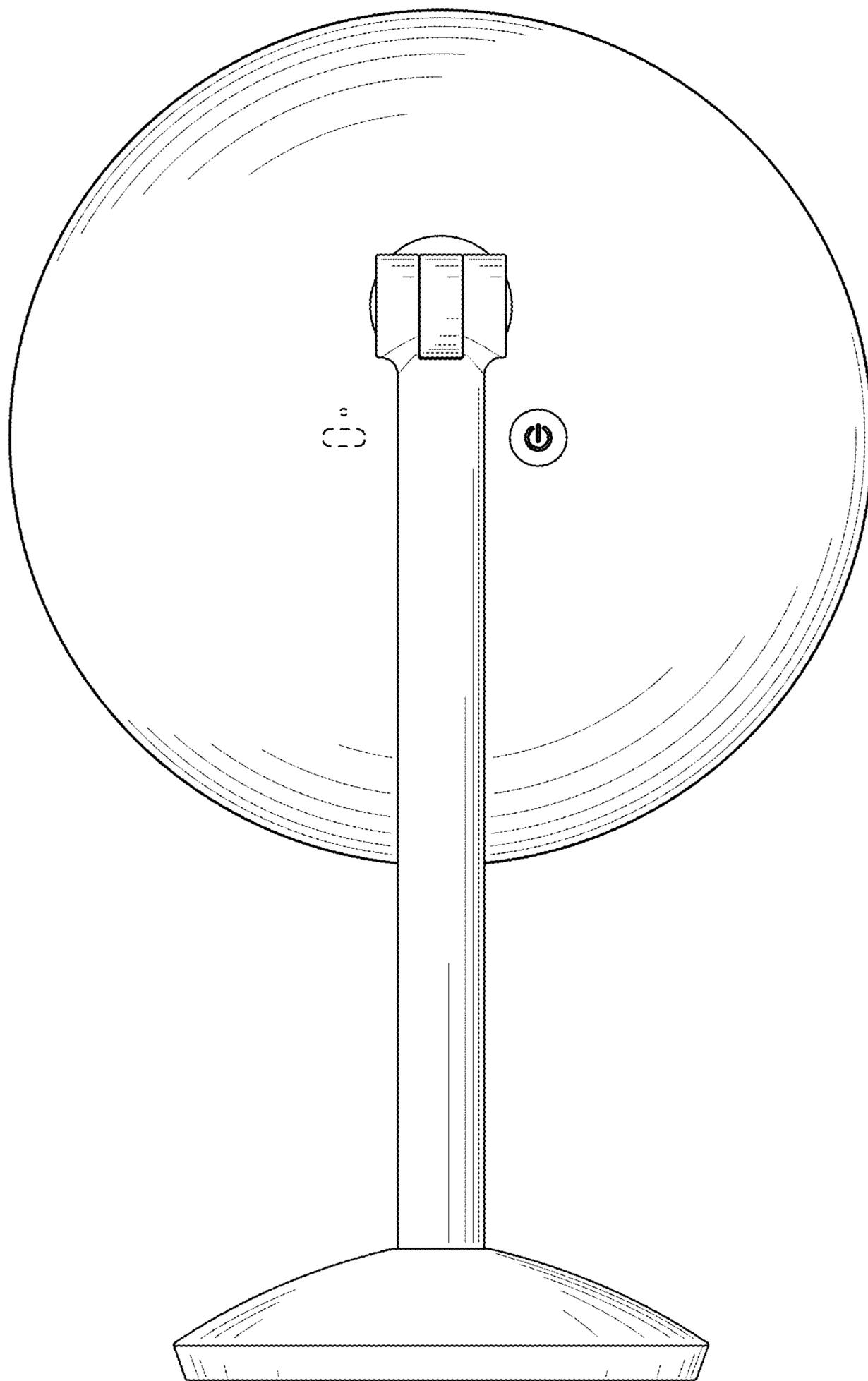


FIG. 4

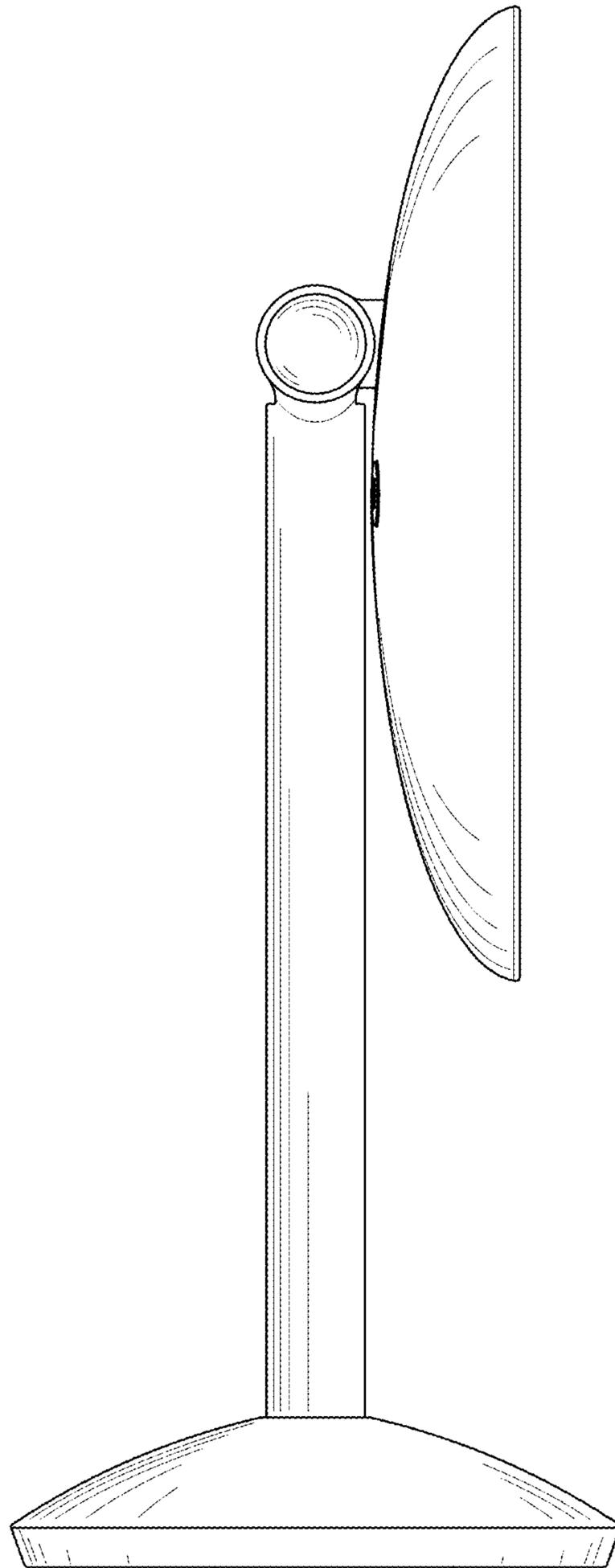


FIG. 5

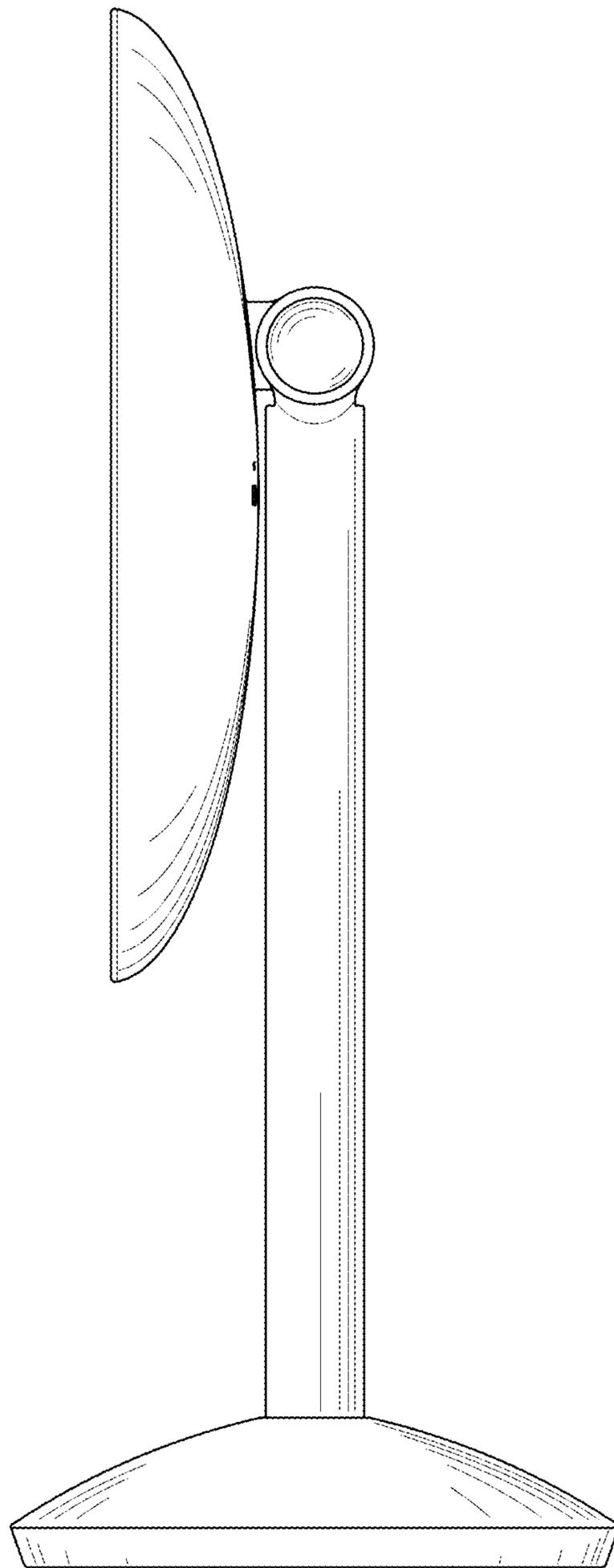


FIG. 6

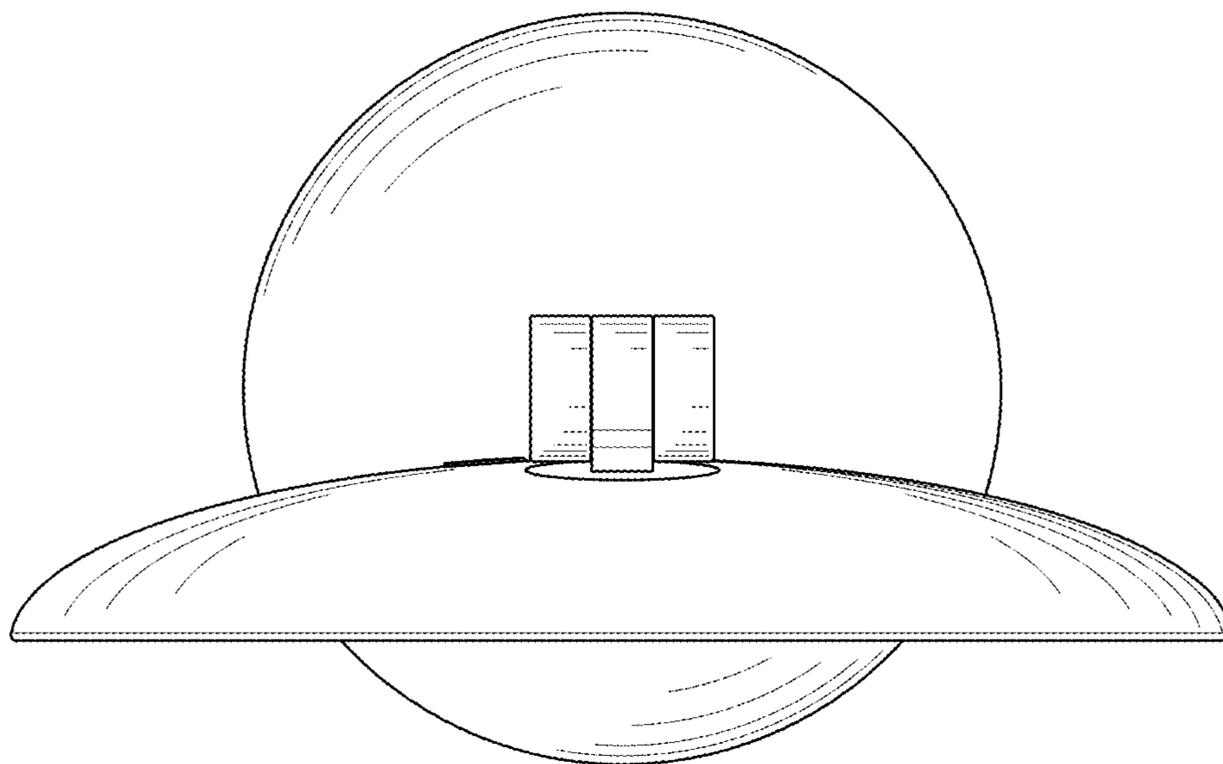


FIG. 7

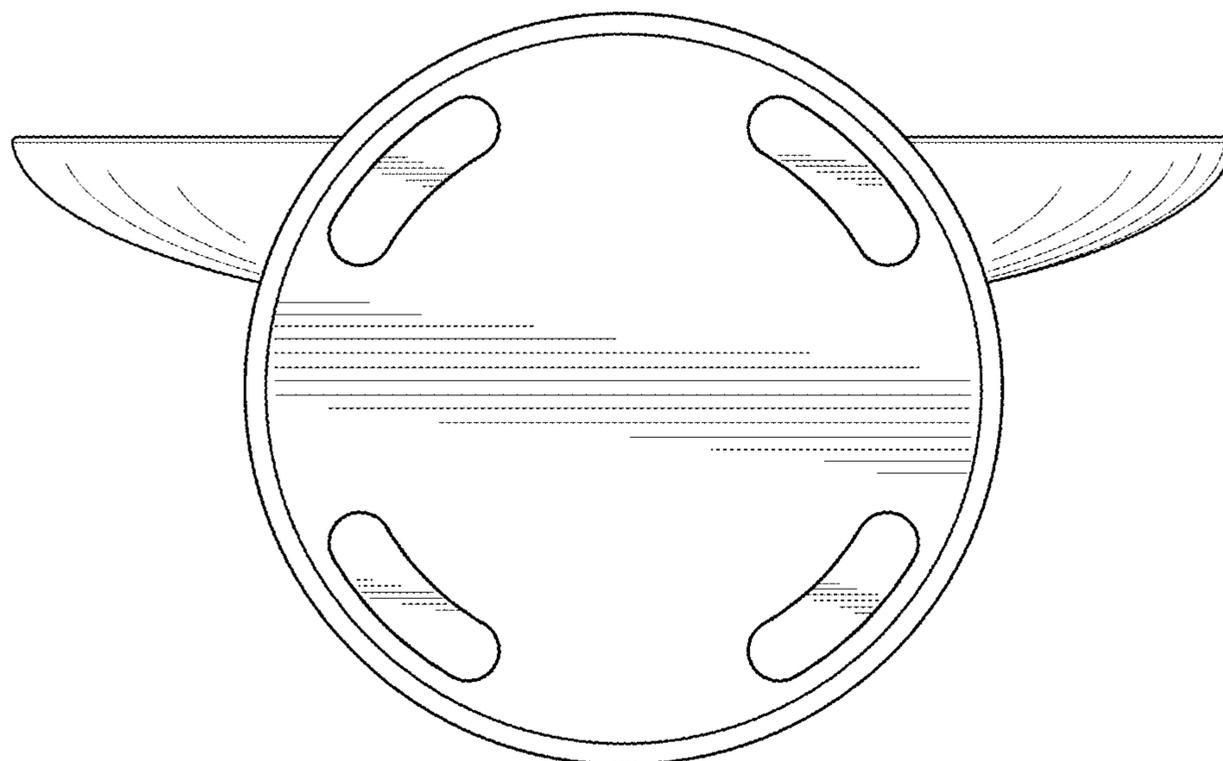


FIG. 8