



US00D935790S

(12) **United States Design Patent**
Cao

(10) **Patent No.:** **US D935,790 S**

(45) **Date of Patent:** **** Nov. 16, 2021**

- (54) **PICTURE DISPLAY FRAME**
- (71) Applicant: **Xiaoqing Cao**, Suizhou (CN)
- (72) Inventor: **Xiaoqing Cao**, Suizhou (CN)
- (**) Term: **15 Years**
- (21) Appl. No.: **29/749,222**
- (22) Filed: **Sep. 3, 2020**
- (51) **LOC (13) Cl.** **06-07**
- (52) **U.S. Cl.**
USPC **D6/300**
- (58) **Field of Classification Search**
USPC D6/300–314, 657, 659, 661; D19/86, 92,
D19/26, 27, 32; D3/298
CPC A47G 1/06; A47G 1/14
See application file for complete search history.

(56) **References Cited**

U.S. PATENT DOCUMENTS

D251,466 S *	4/1979	Ciminelli	D6/311
D271,168 S *	11/1983	Antonczyk	D6/300
D368,588 S *	4/1996	Goraleski	D6/300
D394,874 S *	6/1998	Aguilar	D19/26
D451,290 S *	12/2001	Allen	D6/300
D451,684 S *	12/2001	Vincent	D6/301
D622,067 S *	8/2010	McDonough	D6/300

9,032,654 B2 *	5/2015	Wilcoxon	A63F 1/062 40/766
D742,651 S *	11/2015	Sands	D6/301
D759,389 S *	6/2016	Li	D6/300
D759,981 S *	6/2016	Roper	D6/300
D829,449 S	10/2018	Orsi	
D871,804 S	1/2020	Segal	
D904,768 S *	12/2020	Stetler	D6/300

* cited by examiner

Primary Examiner — Deanna L Pratt

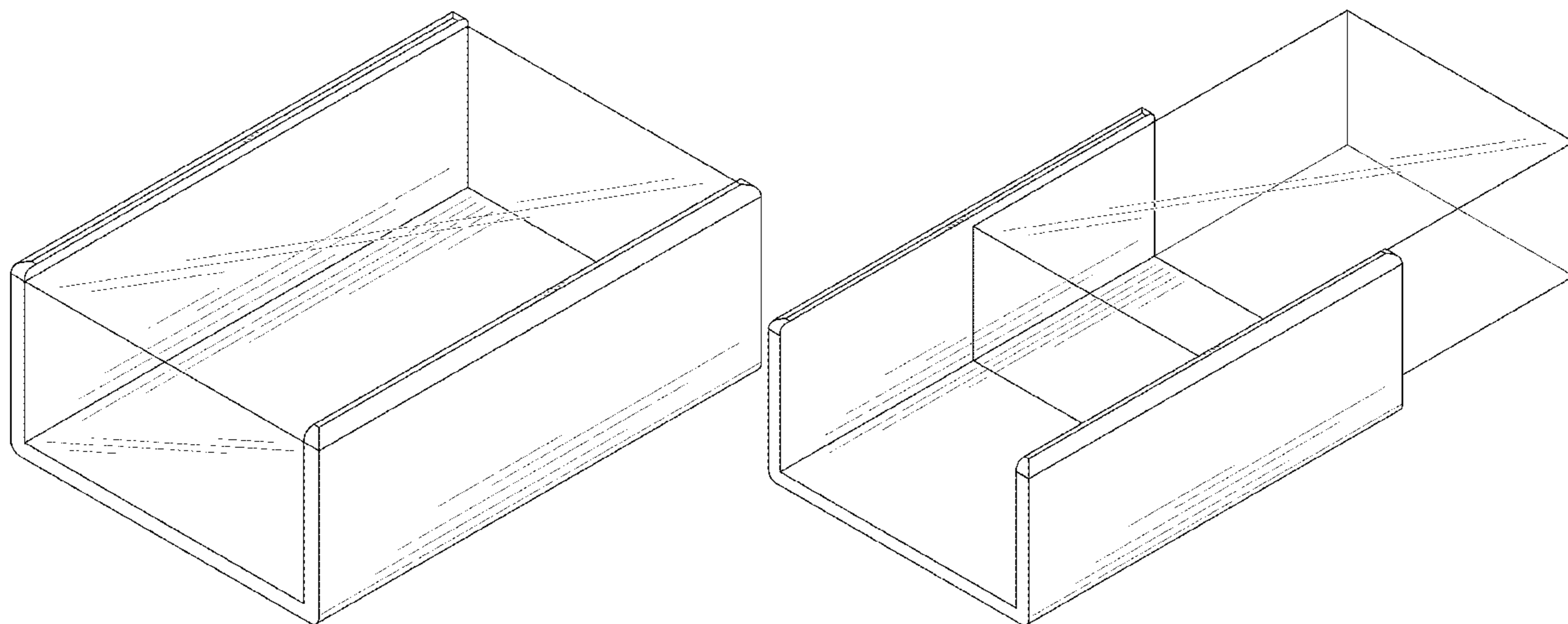
(57) **CLAIM**

The ornamental design for a picture display frame, as shown and described.

DESCRIPTION

FIG. 1 is the first perspective view of a picture display frame showing my new design;
 FIG. 2 is the second perspective view thereof in its split state;
 FIG. 3 is the third perspective view thereof in its split state;
 FIG. 4 is a front view thereof;
 FIG. 5 is a rear view thereof;
 FIG. 6 is a left side view thereof;
 FIG. 7 is a right side view thereof;
 FIG. 8 is a top plan view thereof; and,
 FIG. 9 is a bottom plan view thereof.

1 Claim, 7 Drawing Sheets



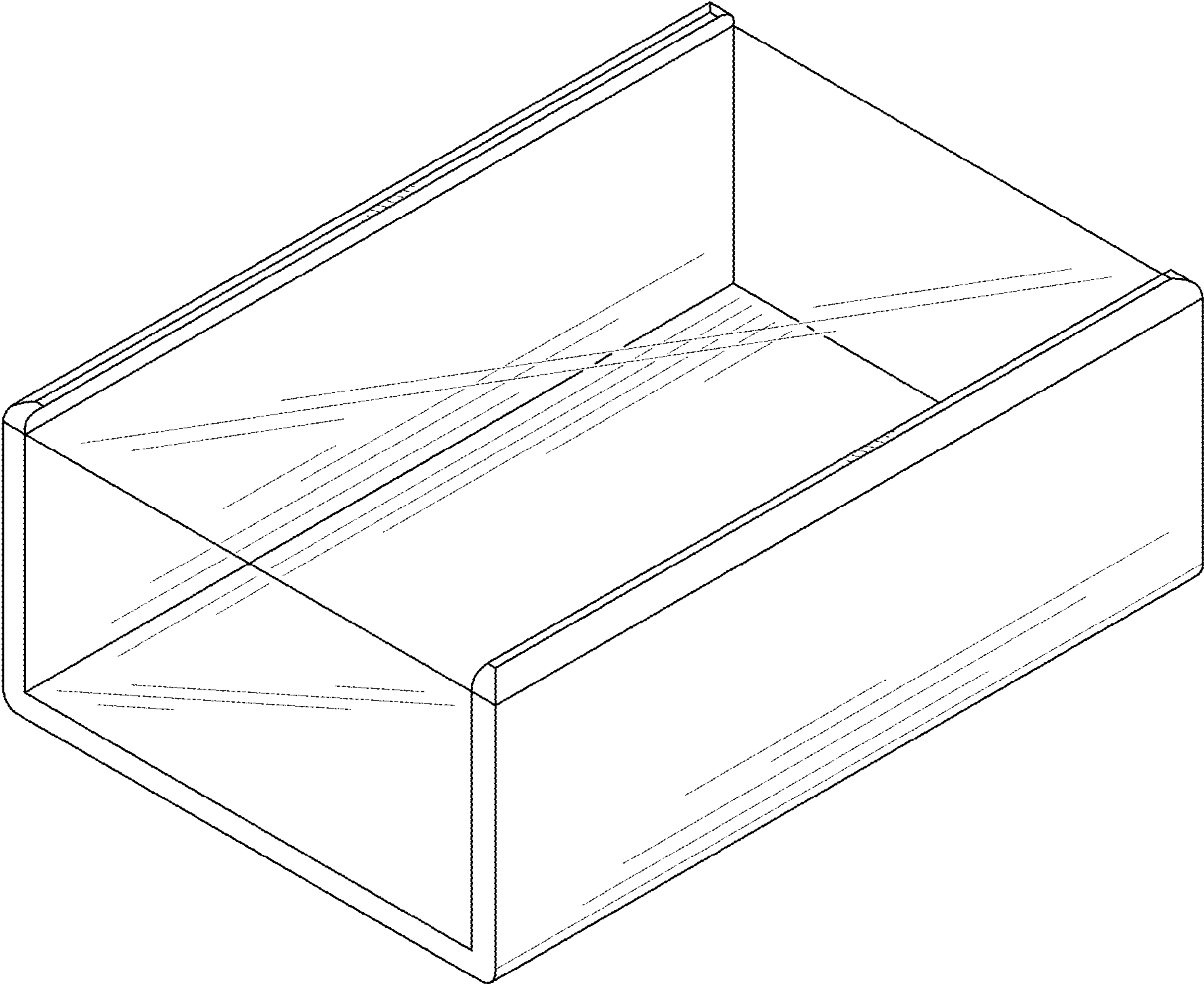


FIG. 1

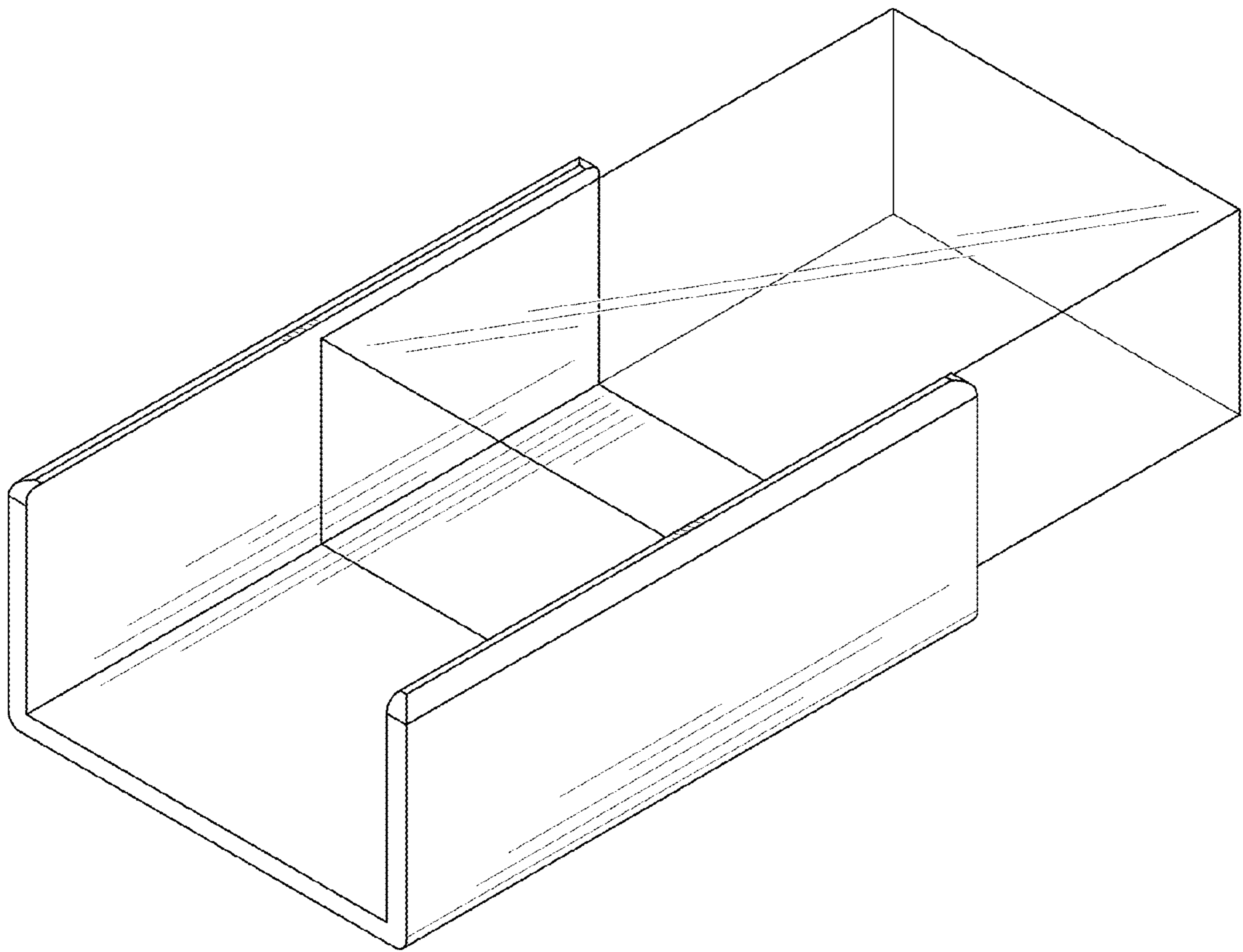


FIG. 2

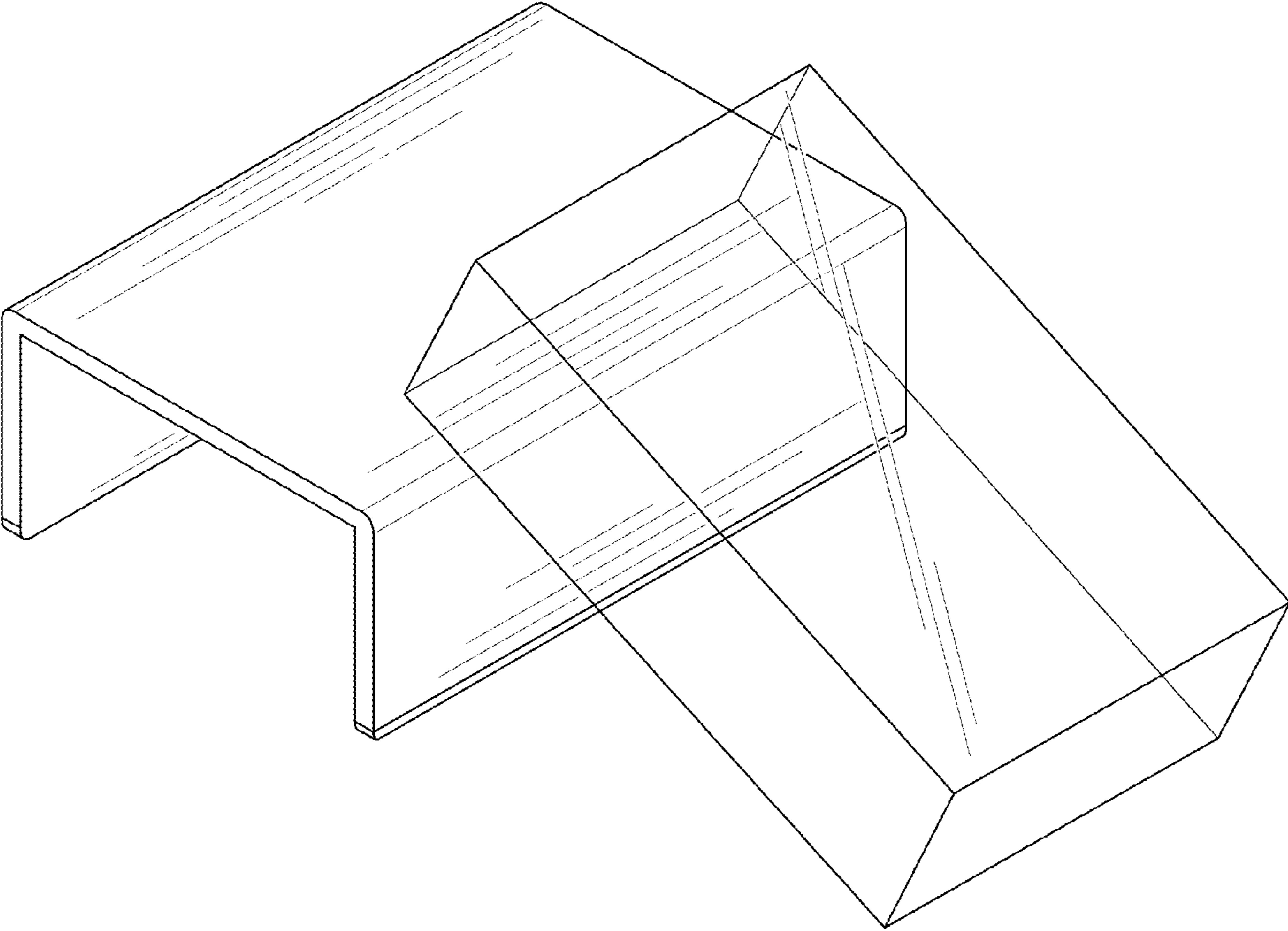


FIG. 3

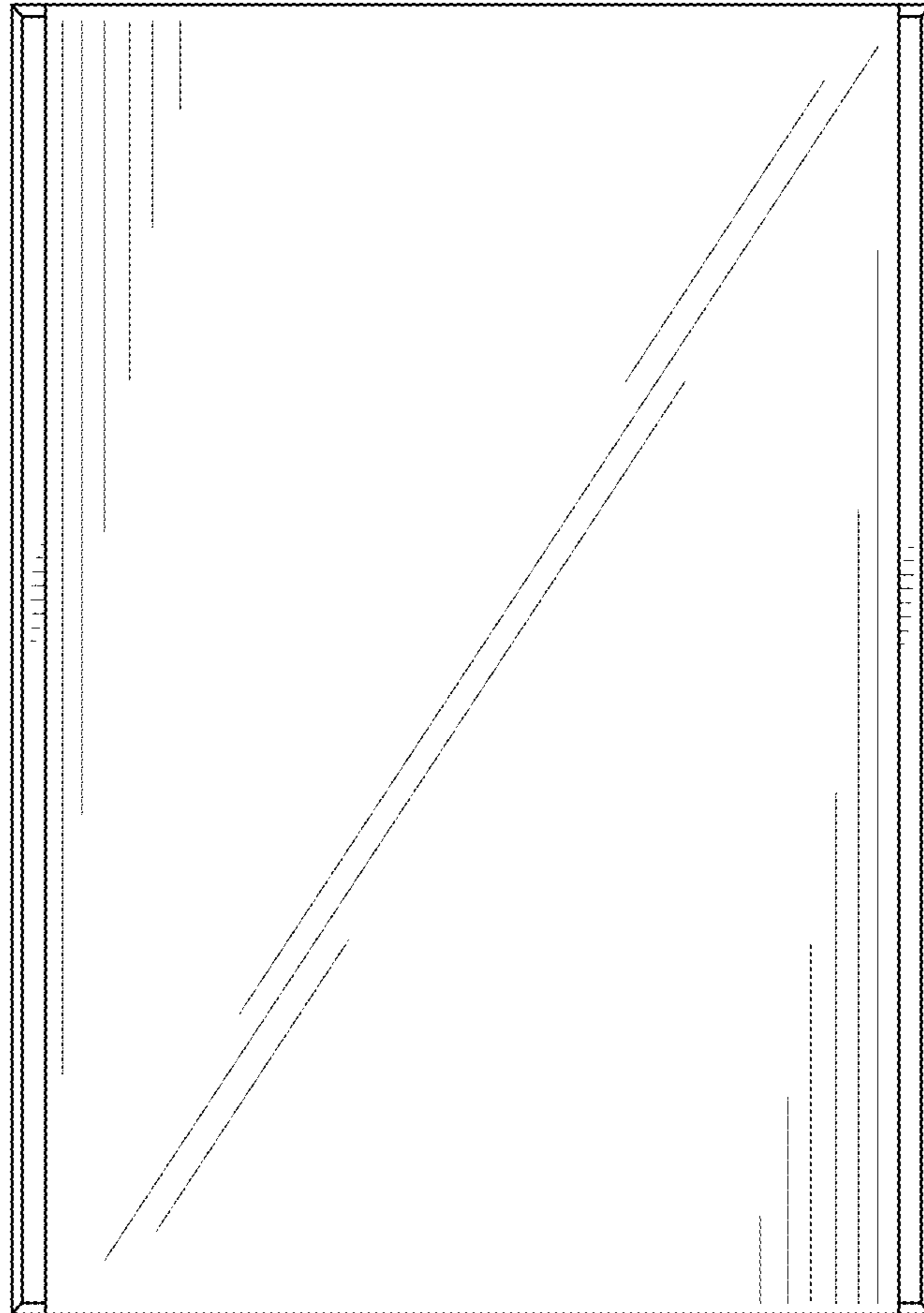


FIG. 4

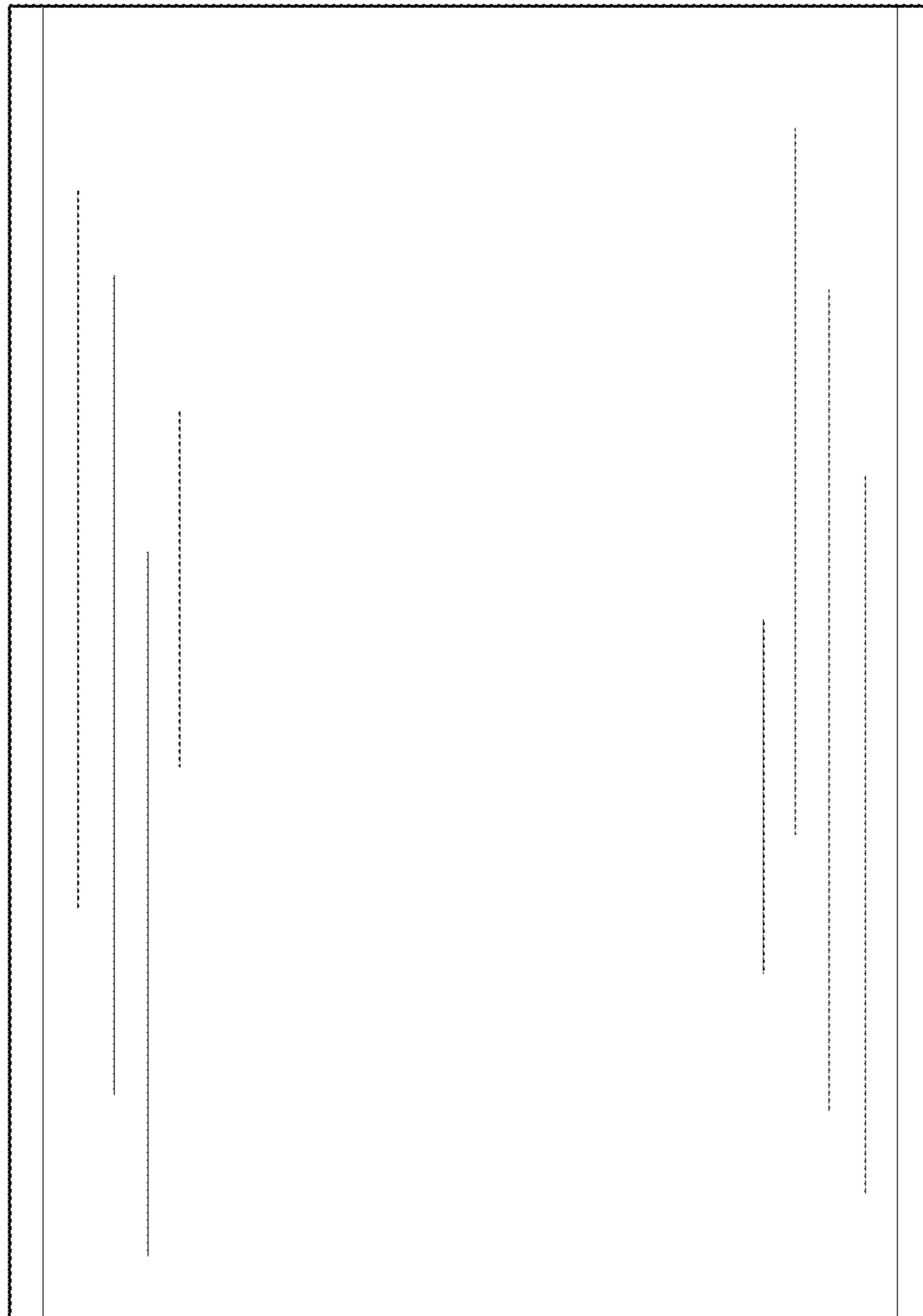


FIG. 5

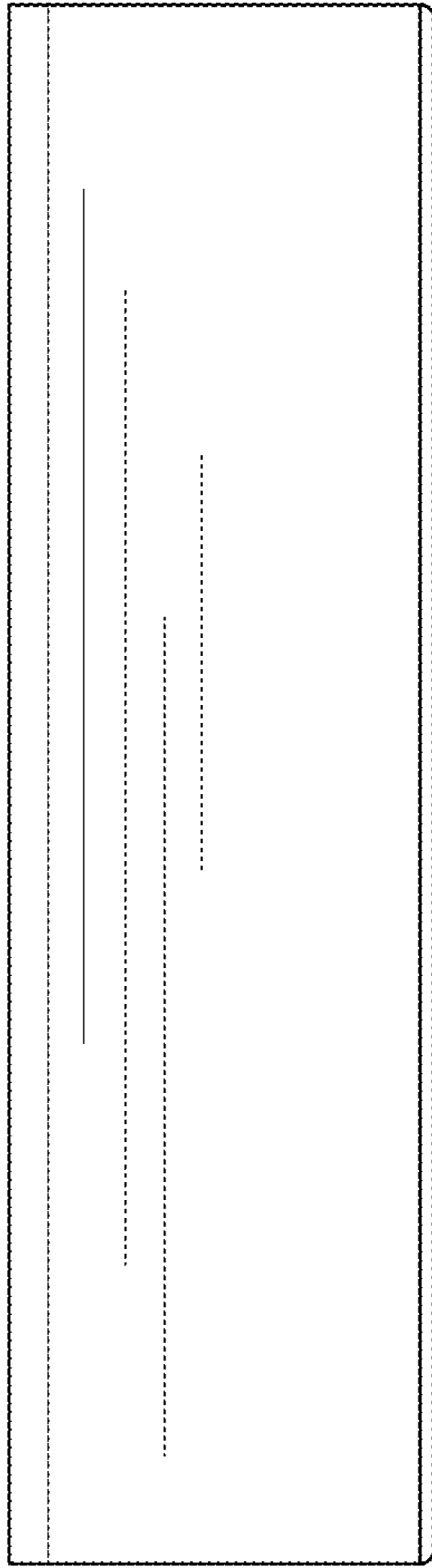


FIG. 6

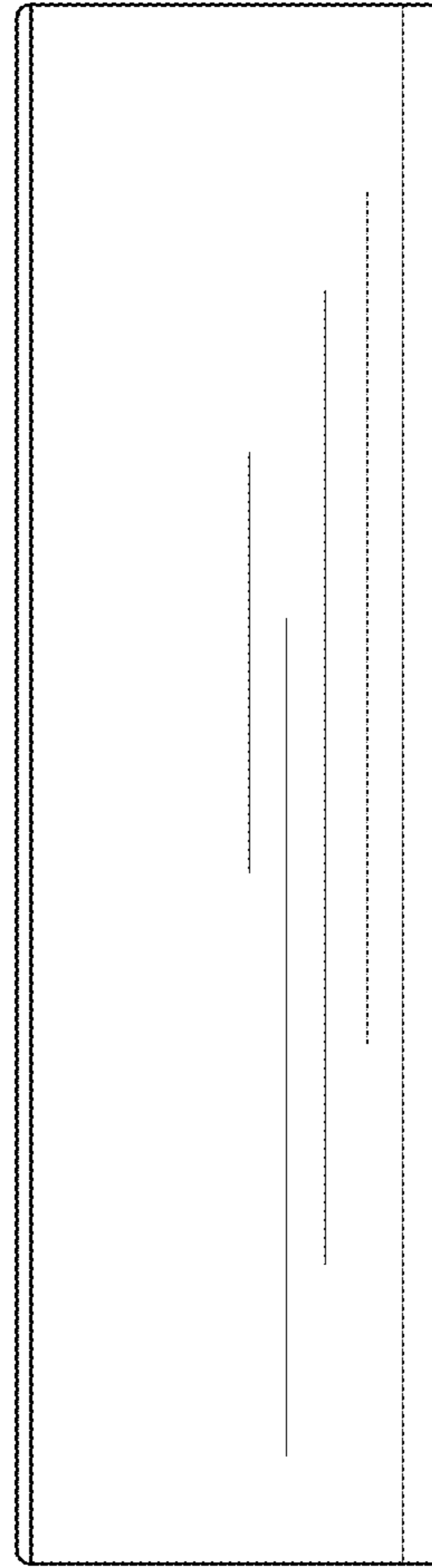


FIG. 7

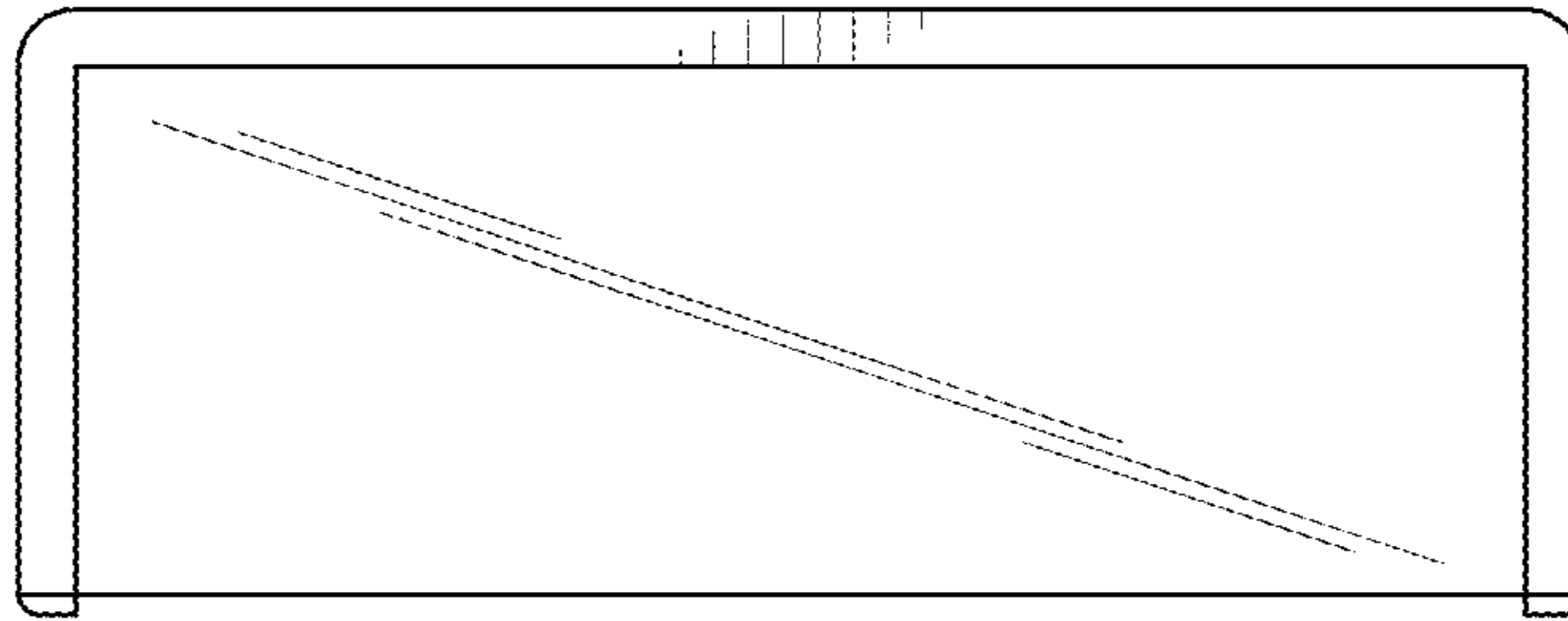


FIG. 8

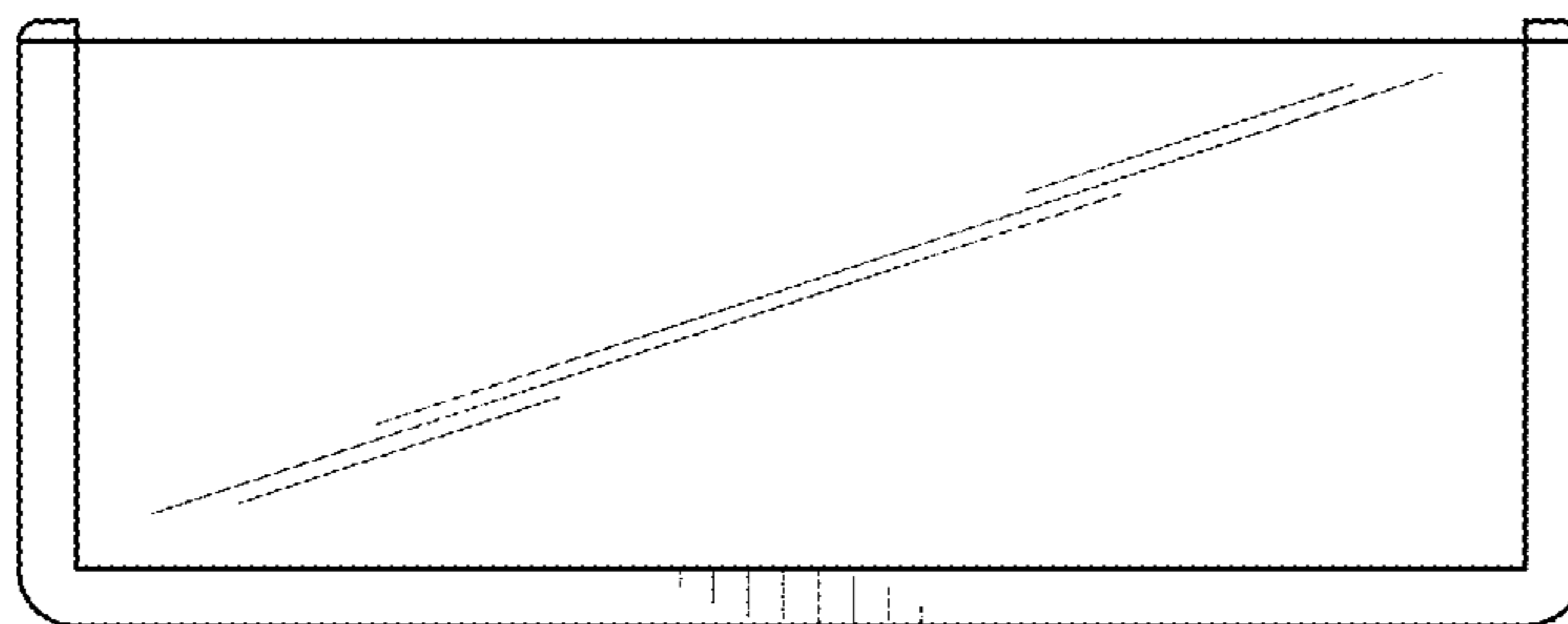


FIG. 9