



US00D935789S

(12) **United States Design Patent** (10) **Patent No.:** **US D935,789 S**  
**Xiang** (45) **Date of Patent:** **\*\* Nov. 16, 2021**

(54) **GOLF CLUB CLEANER BRUSH**  
(71) Applicant: **Dongguanshi jierui tiyuyongpin co., Ltd**, Dongguan (CN)  
(72) Inventor: **Qiang Xiang**, Hunan Province (CN)  
(\*\*) Term: **15 Years**  
(21) Appl. No.: **29/718,247**  
(22) Filed: **Dec. 23, 2019**  
(51) **LOC (13) Cl.** ..... **04-99**  
(52) **U.S. Cl.**  
USPC ..... **D4/138**  
(58) **Field of Classification Search**  
USPC ..... D4/100-138; D8/80, 83; D34/4;  
D7/688; D30/158, 159  
CPC .. A46B 9/00; A46B 9/02; A46B 9/025; A46B  
9/021; A46B 9/04; Y10S 15/00; Y10S  
15/10  
See application file for complete search history.

(56) **References Cited**  
U.S. PATENT DOCUMENTS  
D682,613 S \* 5/2013 De Leo ..... D7/401.2  
D720,933 S \* 1/2015 Albers ..... D4/120  
D728,944 S \* 5/2015 Noel ..... D4/117  
D834,896 S \* 12/2018 Appelbaum ..... D7/653  
D838,994 S \* 1/2019 Suh ..... D4/119

FOREIGN PATENT DOCUMENTS  
GB 6105585 \* 11/2020

OTHER PUBLICATIONS  
Champkey Brush 1, announced Oct. 29, 2019 [online], [site visited Aug. 24, 2021]. Available from internet, URL: <https://www.amazon.com/Champkey-Brush-1>

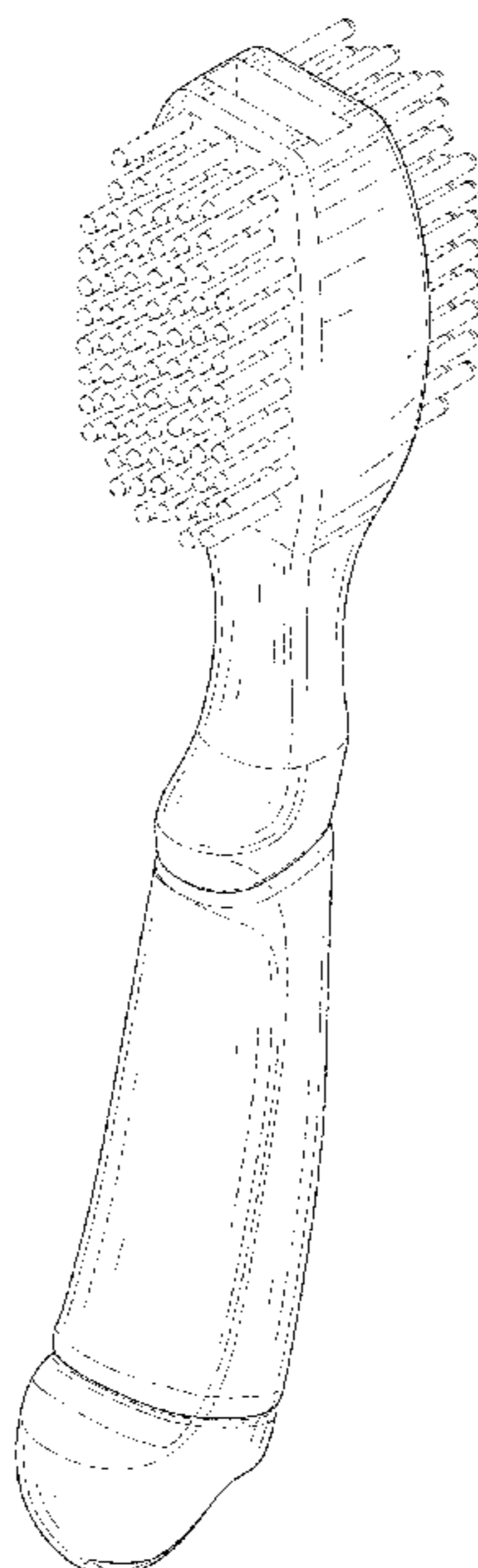
com/Champkey-Star-Multifunction-Polymer-Brush/dp/B07YSB9MFQ/ref=sr\_1\_2\_sspa (Year: 2019).\*  
Champkey Brush 2, announced Jun. 29, 2021 [online], [site visited Aug. 24, 2021]. Available from internet, URL: [https://www.amazon.com/Champkey-Retractable-Golf-Club-Brush/dp/B088ZG23RF/ref=sr\\_1\\_7](https://www.amazon.com/Champkey-Retractable-Golf-Club-Brush/dp/B088ZG23RF/ref=sr_1_7) (Year: 2021).\*  
Cloris Brush, announced Apr. 2021 [online], [site visited Aug. 24, 2021]. Available from internet, URL: [https://www.amazon.com/dp/B08ZSQFB5S/ref=sspa\\_dk\\_detail\\_2](https://www.amazon.com/dp/B08ZSQFB5S/ref=sspa_dk_detail_2) (Year: 2021).\*  
Maxfli Groover Brush, announced Nov. 2016 [online], [site visited Aug. 24, 2021]. Available from internet, URL: [https://www.amazon.com/Maxfli-Performance-Groover-Brush-Retractable/dp/B01N3JJJEL/ref=sr\\_1\\_1](https://www.amazon.com/Maxfli-Performance-Groover-Brush-Retractable/dp/B01N3JJJEL/ref=sr_1_1) (Year: 2016).\*

\* cited by examiner  
*Primary Examiner* — George A Bugg  
*Assistant Examiner* — Tamara L Hahn

(57) **CLAIM**  
The ornamental design for a golf club cleaner brush, as shown and described.

**DESCRIPTION**  
FIG. 1 is a front and top perspective view of a golf club cleaner brush, showing my new design;  
FIG. 2 is a rear and bottom perspective view thereof;  
FIG. 3 is a front elevational view thereof;  
FIG. 4 is a rear elevational view thereof;  
FIG. 5 is a left side elevational view thereof;  
FIG. 6 is a right side elevational view thereof;  
FIG. 7 is a top plan view thereof; and,  
FIG. 8 is a bottom plan view thereof.  
The broken lines in the figures illustrate portions of the golf club cleaner brush that form no part of the, claimed design.

**1 Claim, 8 Drawing Sheets**



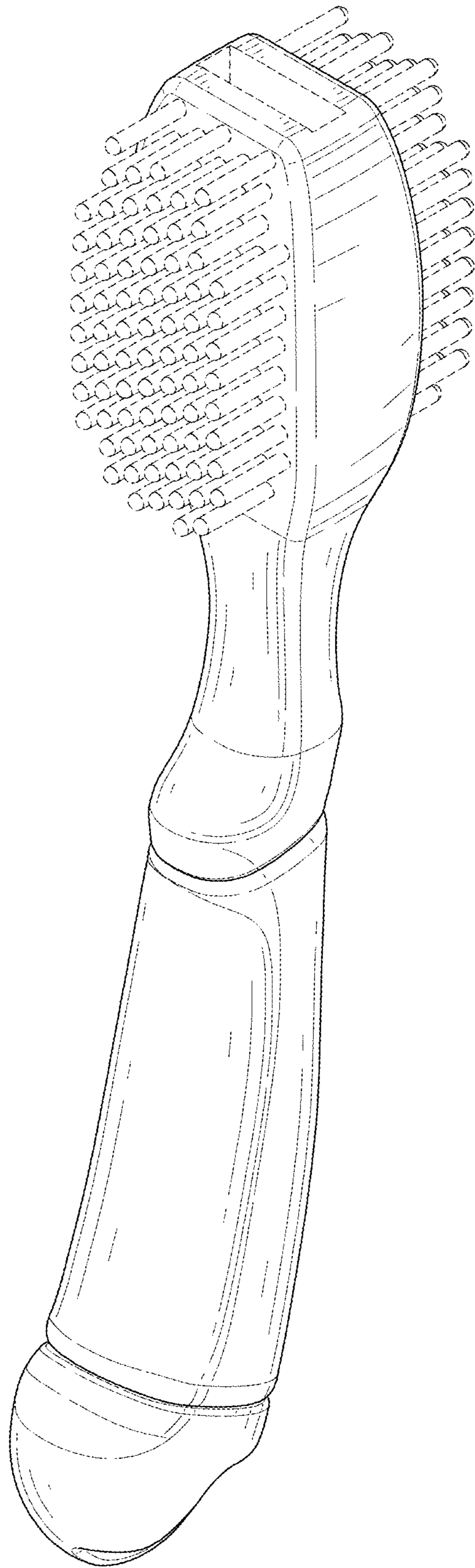


FIG. 1

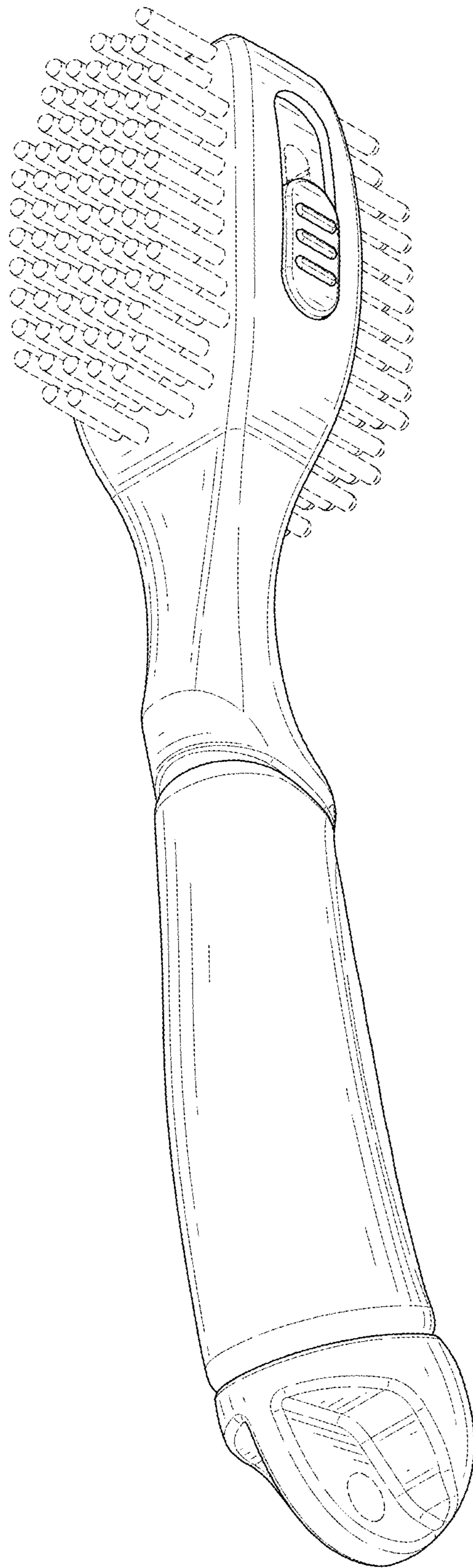


FIG. 2

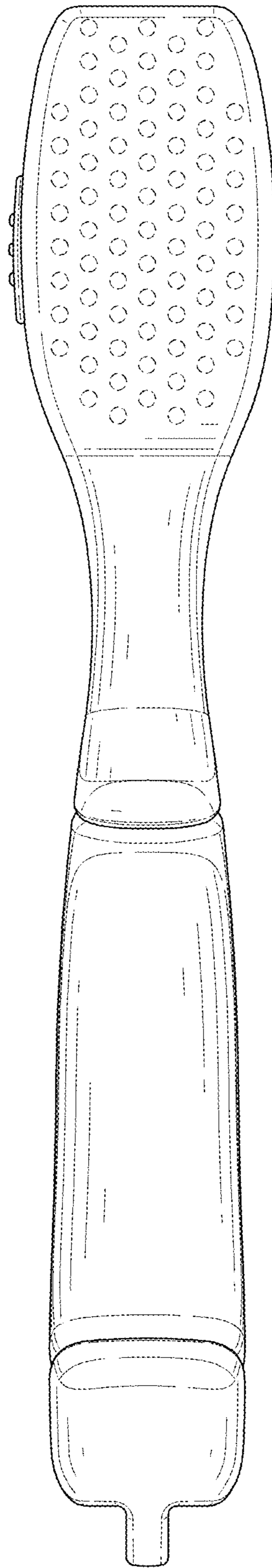


FIG. 3

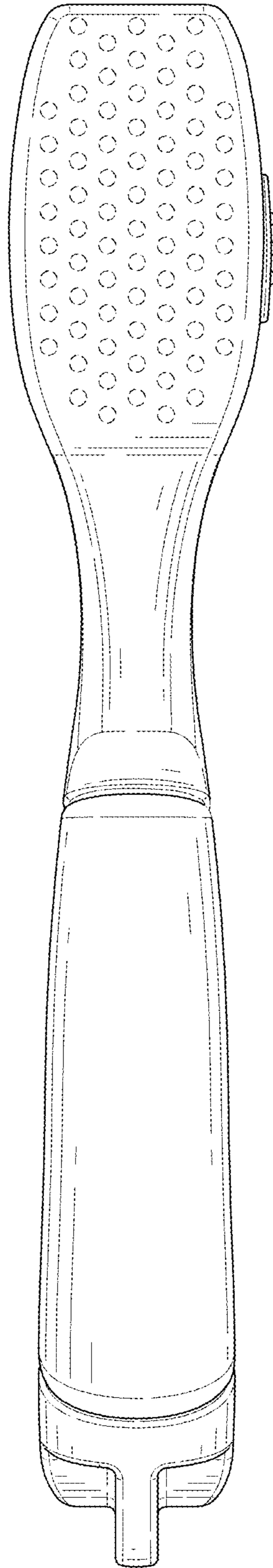


FIG. 4

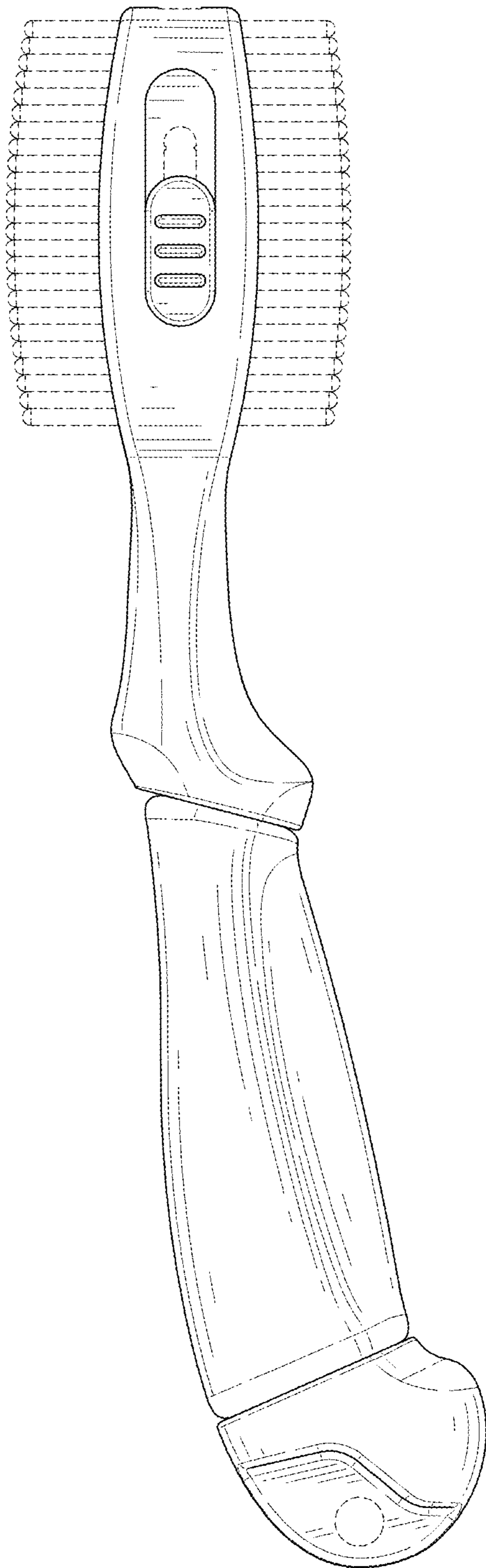


FIG. 5

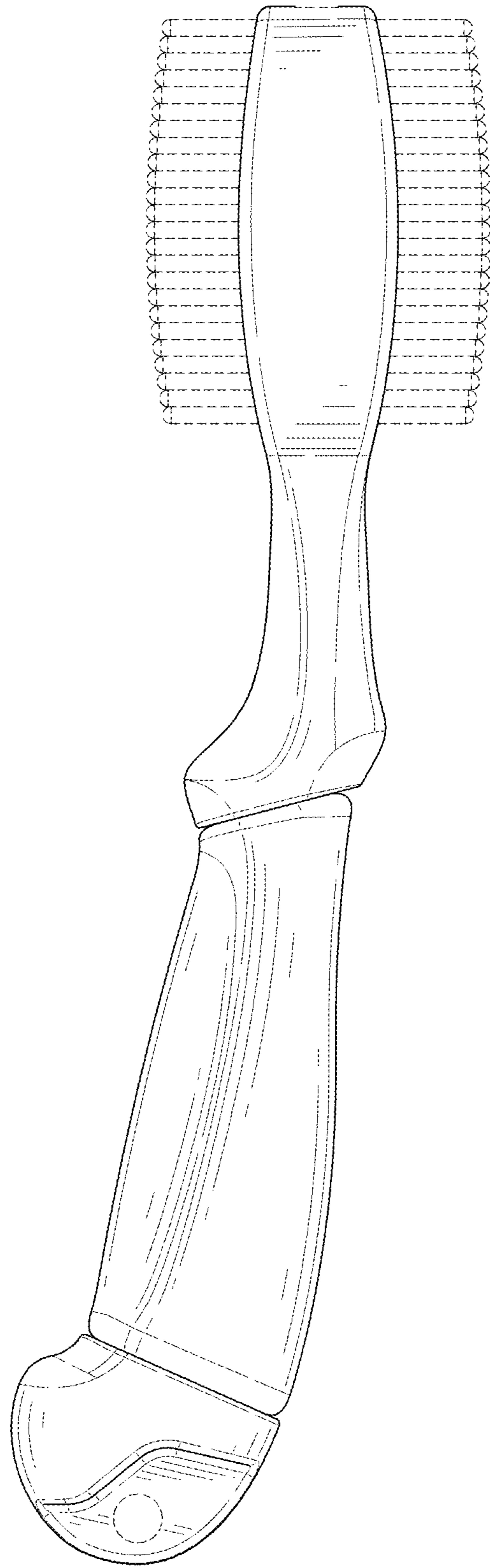


FIG. 6

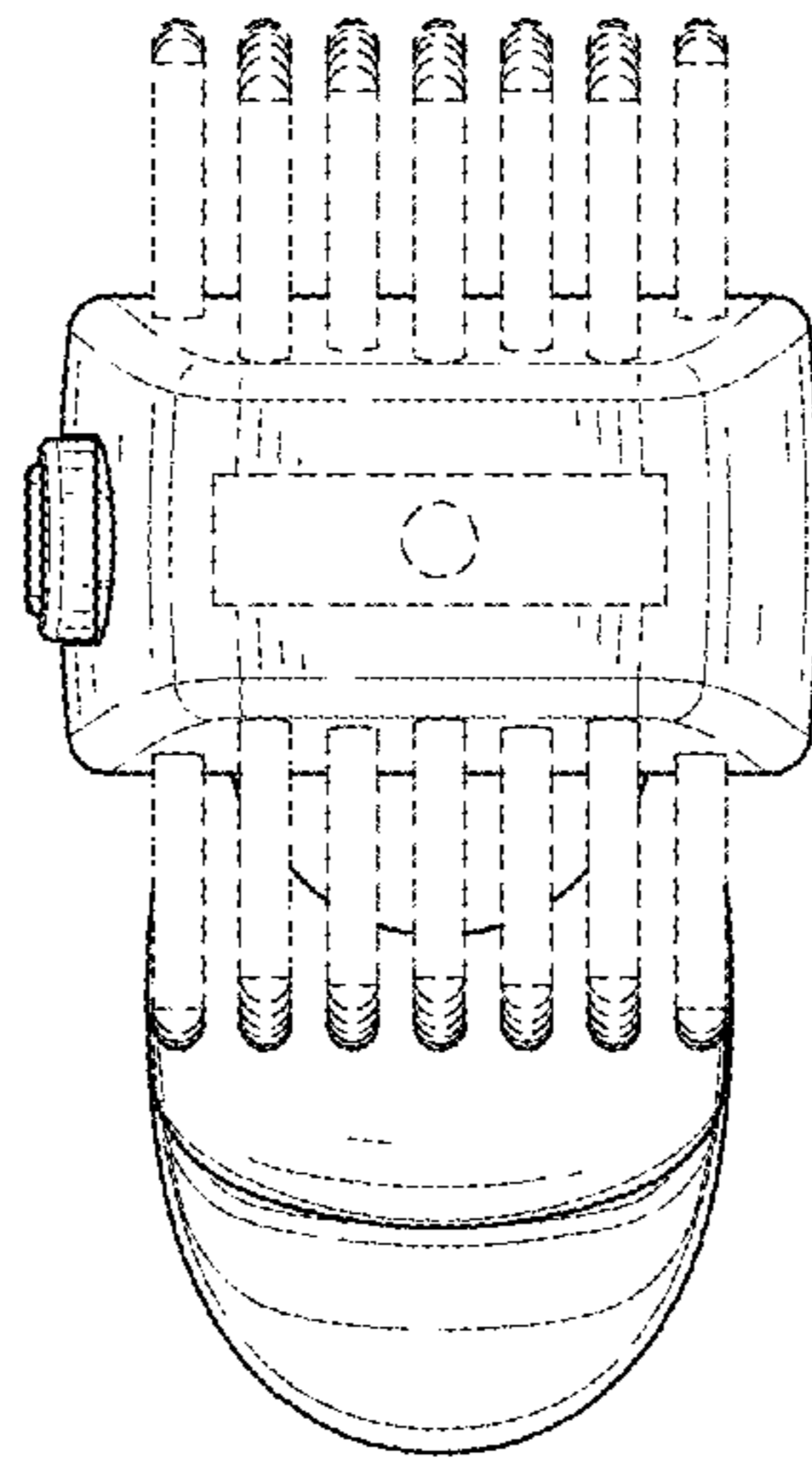


FIG. 7



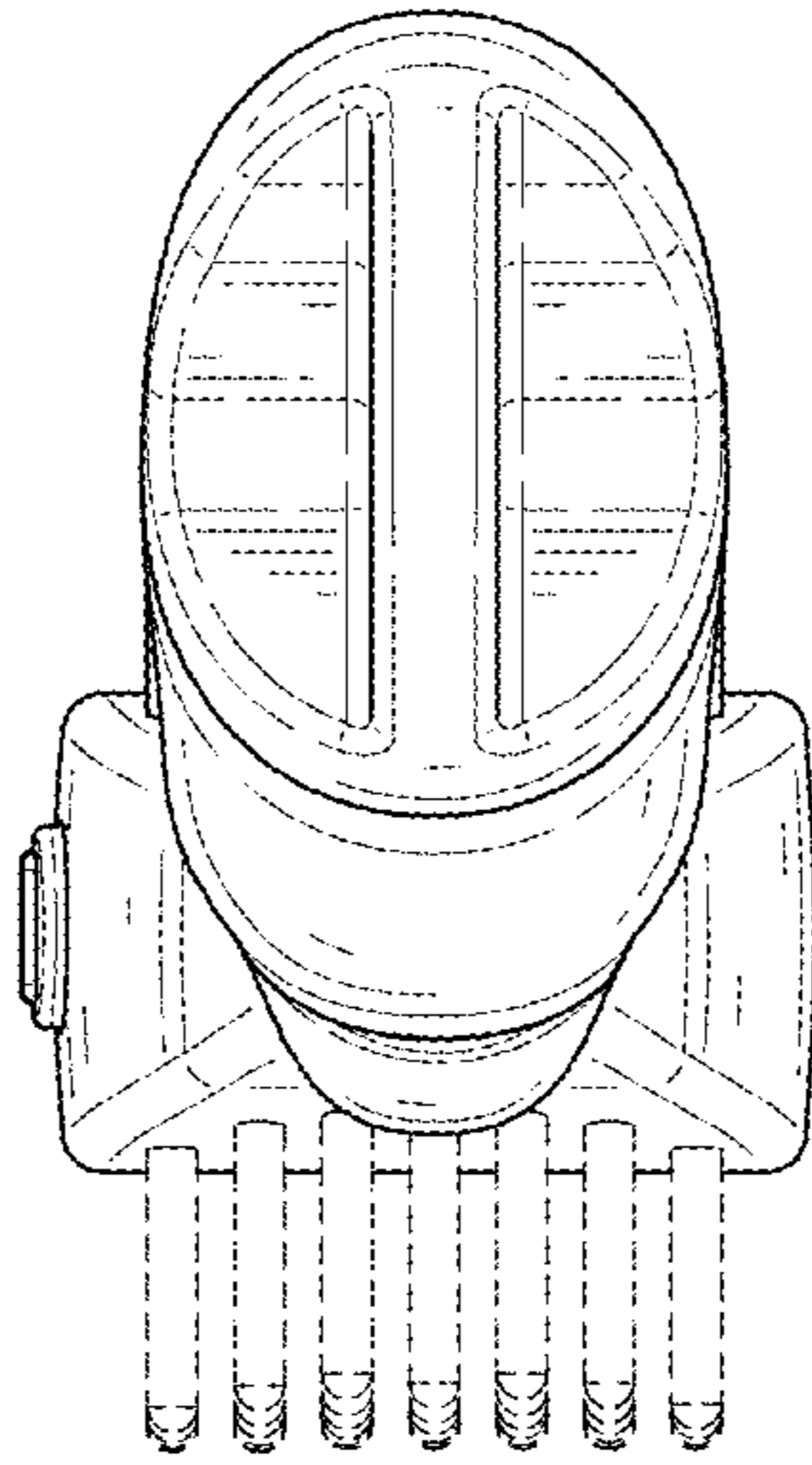


FIG. 8