



US00D935785S

(12) **United States Design Patent** (10) **Patent No.:** **US D935,785 S**
Ashley (45) **Date of Patent:** **** Nov. 16, 2021**

(54) **SWIVEL HEAD MAKE UP BRUSH**

(71) Applicant: **Double Take Limited**, Burnham (GB)

(72) Inventor: **Matilda Elvira Ashley**, London (GB)

(**) Term: **15 Years**

(21) Appl. No.: **29/726,840**

(22) Filed: **Mar. 5, 2020**

(30) **Foreign Application Priority Data**

Sep. 6, 2019 (EM) 006832119-0003

(51) **LOC (13) Cl.** **04-01**

(52) **U.S. Cl.**
USPC **D4/120**

(58) **Field of Classification Search**
USPC D4/114-137; D8/80, 83; D28/7, 8, 73,
D28/76-79

CPC A46B 2200/1046; A46B 5/002
See application file for complete search history.

(56) **References Cited**

U.S. PATENT DOCUMENTS

D536,530 S *	2/2007	Peterson	D4/121
D674,979 S *	1/2013	Girardot	D32/35
D699,893 S *	2/2014	Marut	D28/49
D700,997 S *	3/2014	Marut	D28/49
D782,765 S *	3/2017	Mooney	D32/40
D787,142 S *	5/2017	Buckley	D32/40
D823,603 S *	7/2018	Ballard	D4/102
D905,366 S *	12/2020	Hagee	D32/52
D908,365 S *	1/2021	Liang	D4/115
2014/0201936 A1 *	7/2014	Yang	A47L 13/255 15/231

* cited by examiner

Primary Examiner — George A Bugg

Assistant Examiner — Tamara L Hahn

(74) *Attorney, Agent, or Firm* — Todd R. Miller

(57) **CLAIM**

The ornamental design for a swivel head make up brush, as shown and described.

DESCRIPTION

FIG. 1 is a front perspective view embodying the inventive swivel head make up brush showing only one brush swiveled upward for use;

FIG. 2 is a right side view of the device as seen in FIG. 1;

FIG. 3 is a left side view of the device as seen in FIG. 1;

FIG. 4 is a front view of the device as seen in FIG. 1;

FIG. 5 is a rear view of the device as seen in FIG. 1;

FIG. 6 is a top view of the device as seen in FIG. 1;

FIG. 7 is a bottom view of the device as seen in FIG. 1;

FIG. 8 is a front perspective view of the device seen in FIG. 1 showing both brushes swiveled outward;

FIG. 9 is a right side view of the device as seen in FIG. 8;

FIG. 10 is a left side view of the device as seen in FIG. 8;

FIG. 11 is a front view of the device as seen in FIG. 8;

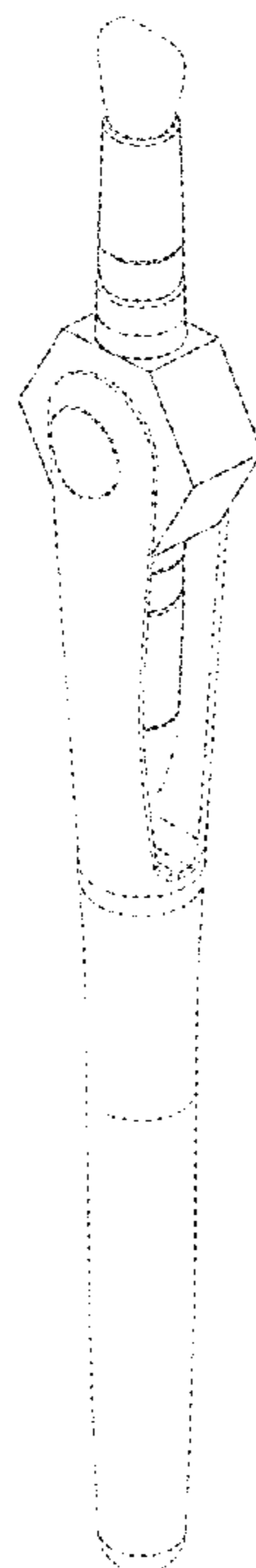
FIG. 12 is a rear view of the device as seen in FIG. 8;

FIG. 13 is a top view of the device as seen in FIG. 8; and,

FIG. 14 is a bottom view of the device as seen in FIG. 8.

The broken lines in the figures depict environmental subject matter only and form no part of the claimed design.

1 Claim, 14 Drawing Sheets



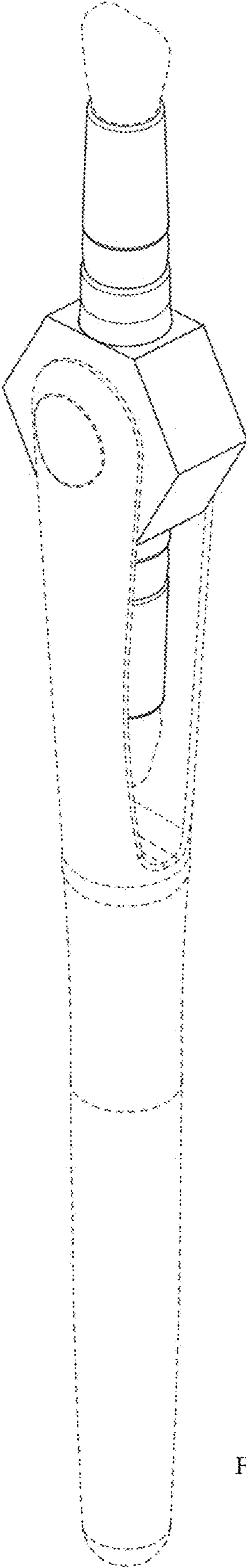


Fig. 1

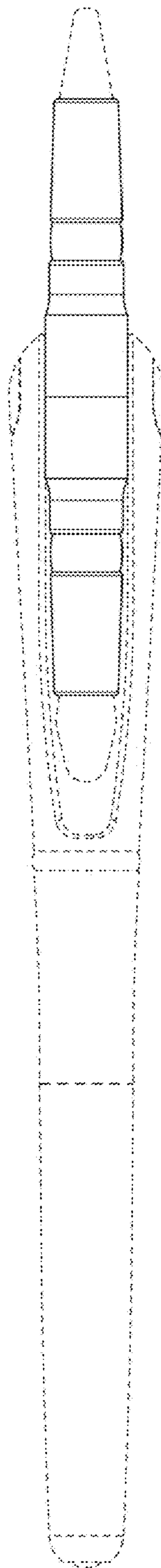


Fig. 2

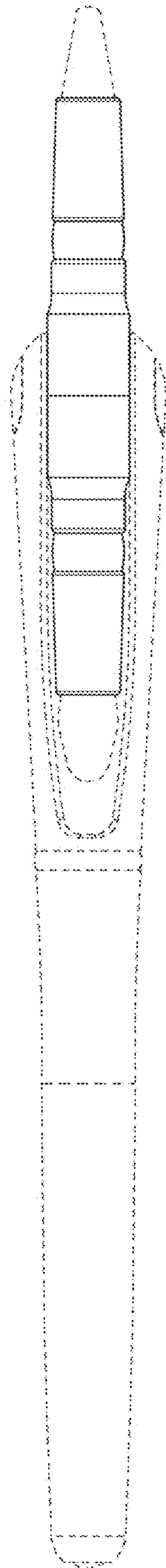


Fig. 3

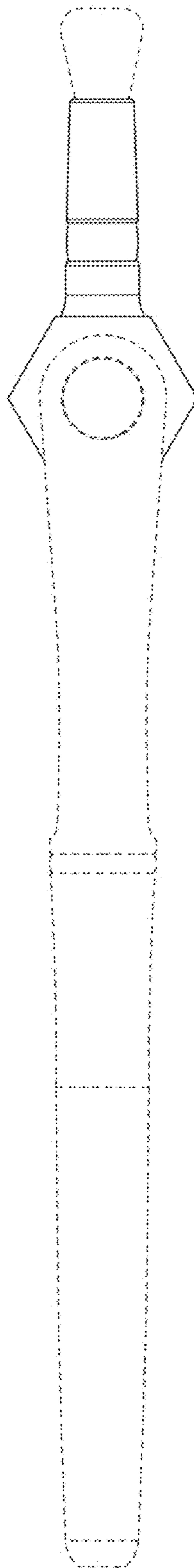


Fig. 4

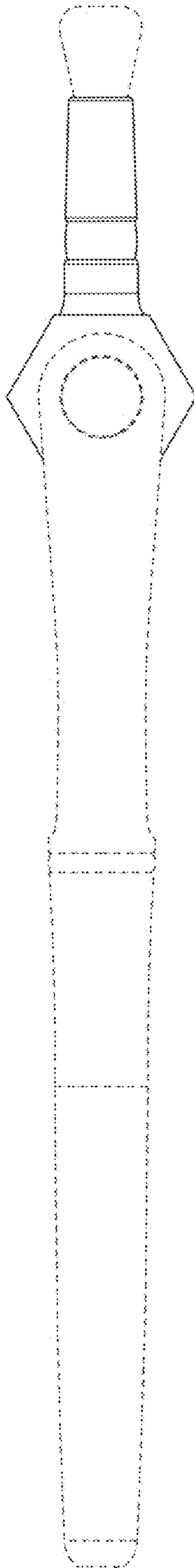


Fig. 5

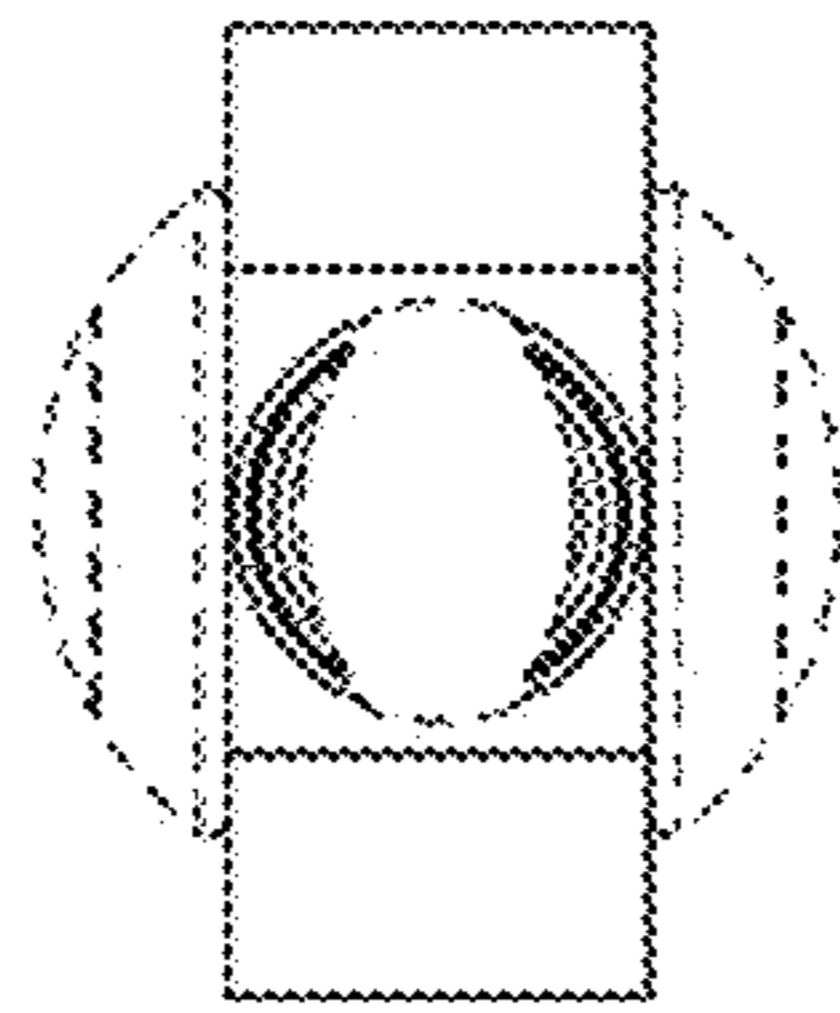


Fig. 6

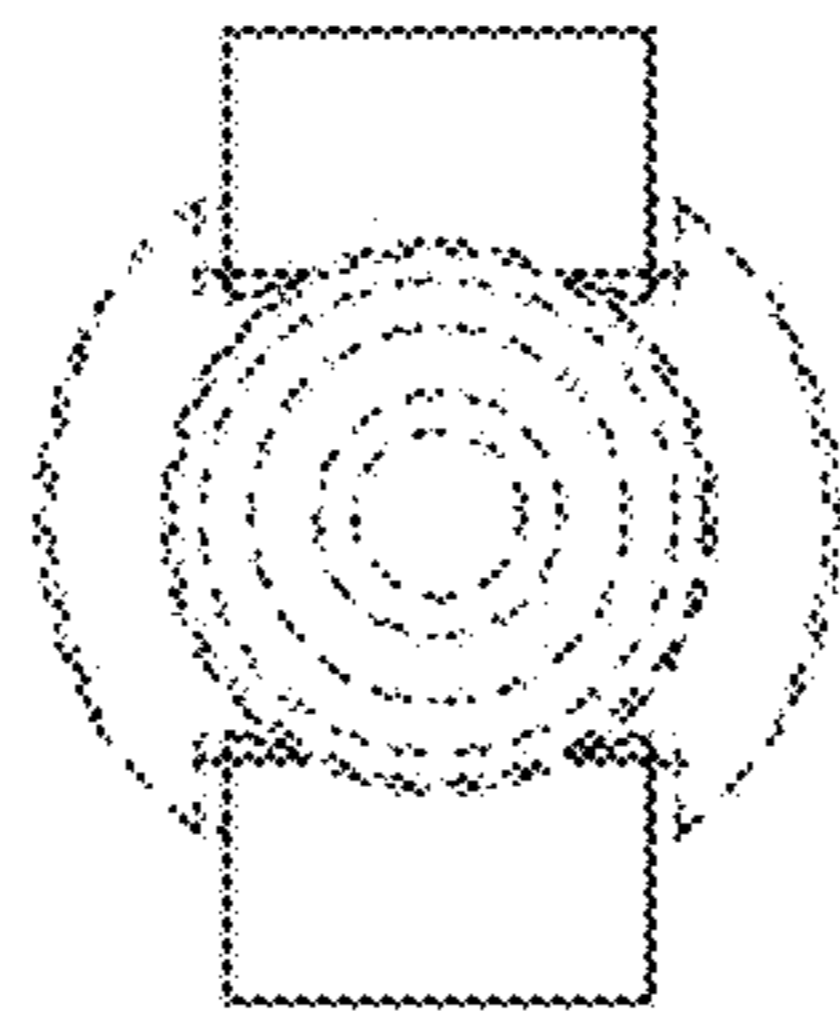


Fig. 7

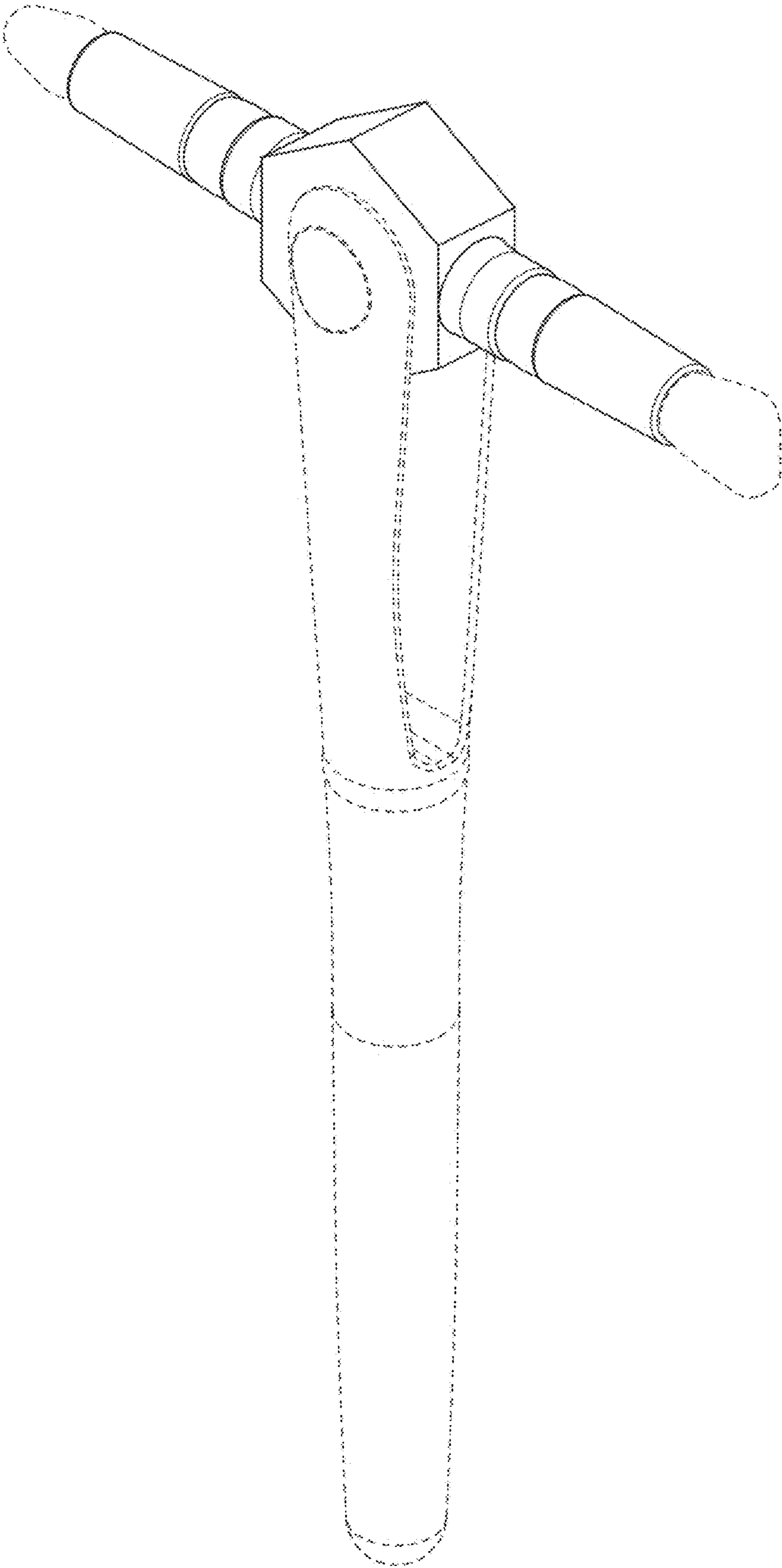


Fig. 8

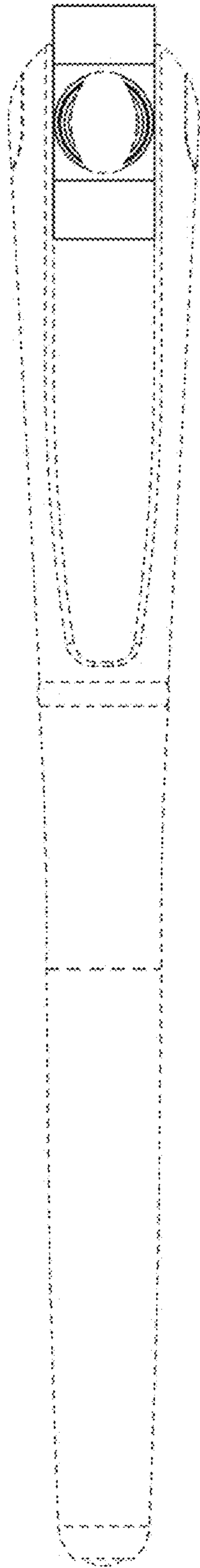


Fig. 9

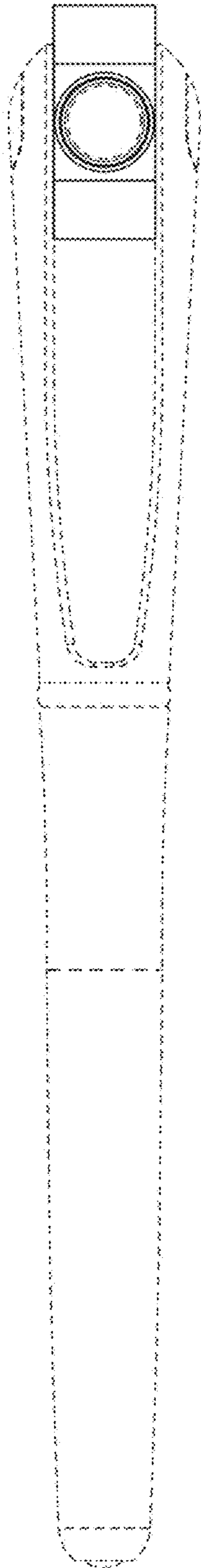


Fig. 10

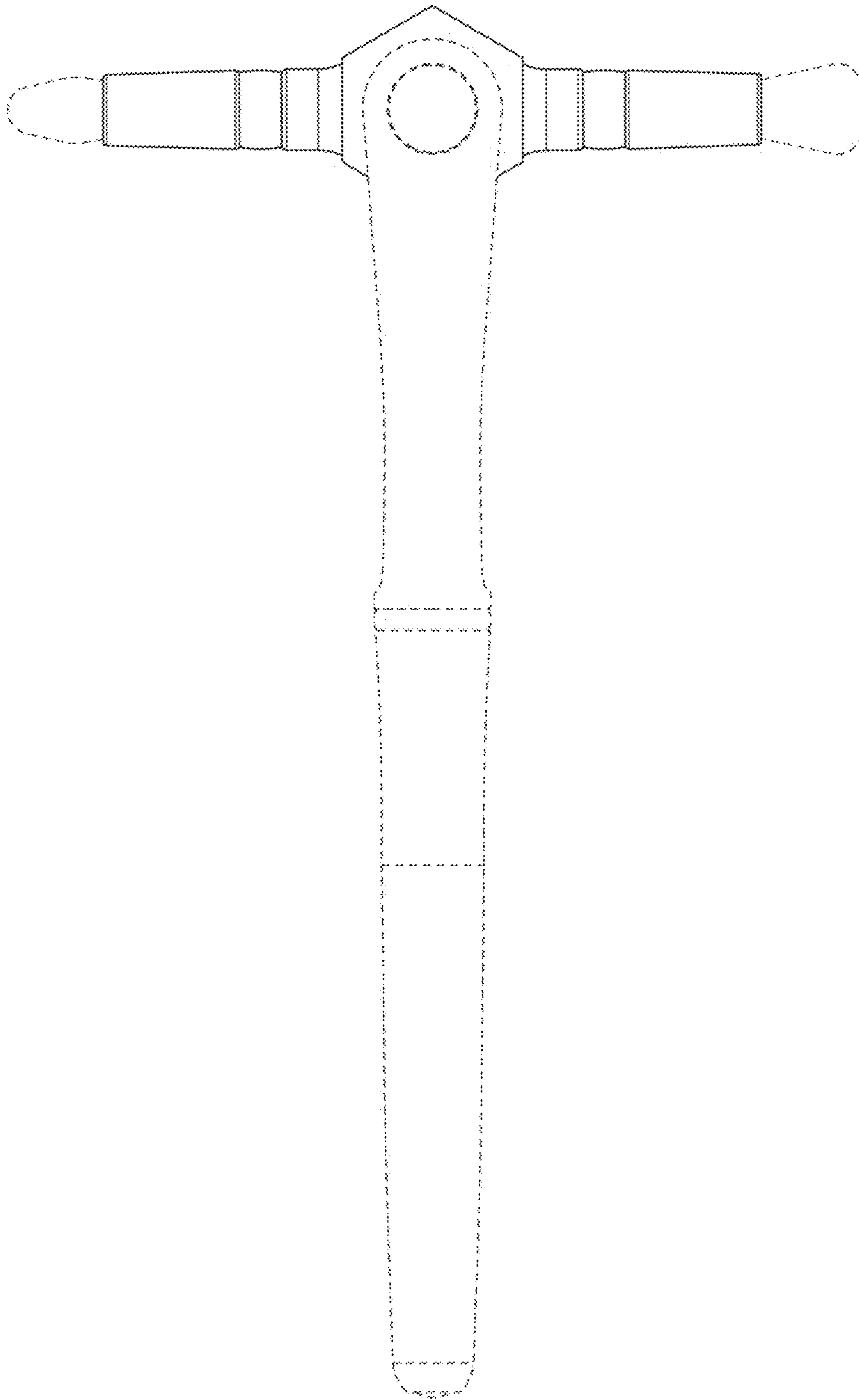


Fig. 11

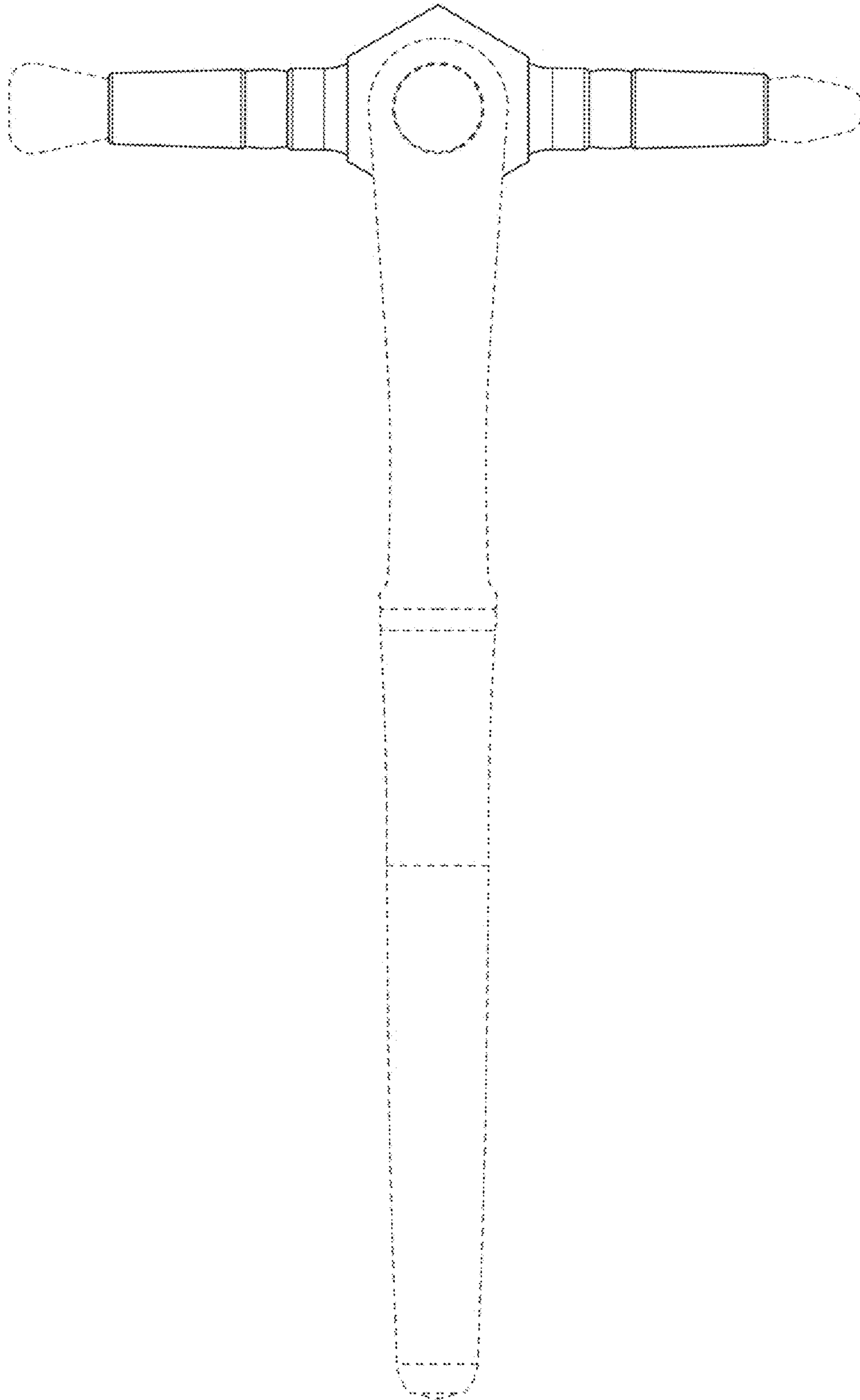


Fig. 12

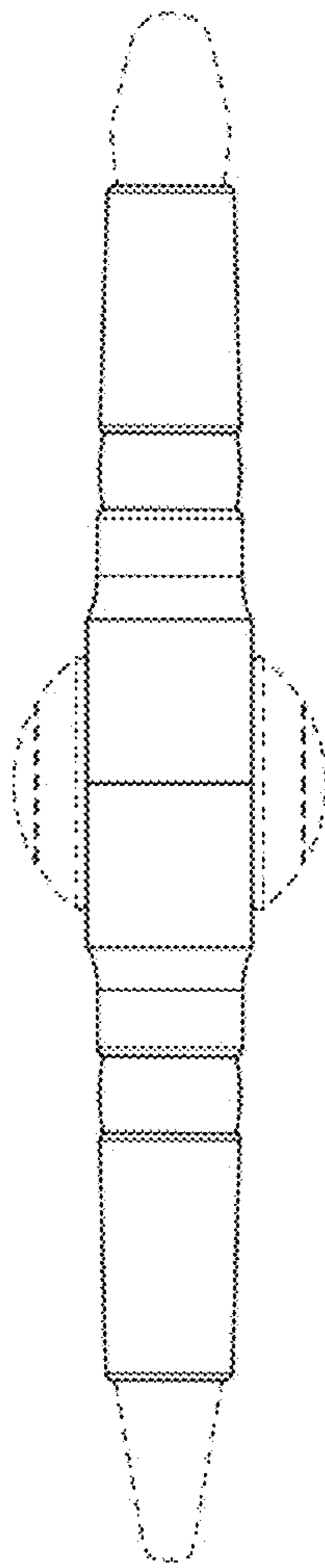


Fig. 13

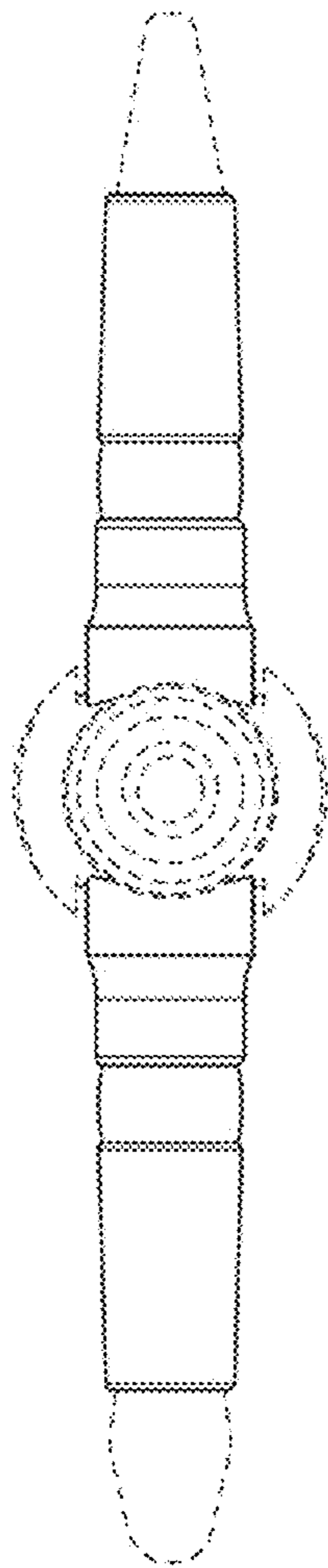


Fig. 14