



US00D935782S

(12) **United States Design Patent**  
**Bennett**

(10) **Patent No.:** **US D935,782 S**

(45) **Date of Patent:** **\*\* Nov. 16, 2021**

(54) **FOLDING SNOW BRUSH WITH ICE SCRAPER**

(71) Applicant: **HOPKINS MANUFACTURING CORPORATION**, Emporia, KS (US)

(72) Inventor: **Kyle M. Bennett**, Emporia, KS (US)

(73) Assignee: **Hopkins Manufacturing Corporation**, Emporia, KS (US)

(\*\*) Term: **15 Years**

(21) Appl. No.: **29/712,444**

(22) Filed: **Nov. 8, 2019**

(51) **LOC (13) Cl.** ..... **04-99**

(52) **U.S. Cl.**  
USPC ..... **D4/118**

(58) **Field of Classification Search**

None

See application file for complete search history.

(56) **References Cited**

U.S. PATENT DOCUMENTS

D485,031 S \* 1/2004 Anderson ..... D32/42

D485,656 S \* 1/2004 Anderson ..... D32/42

(Continued)

OTHER PUBLICATIONS

Lowes Folding Brush, announced Jan. 2014 [online], [site visited Jul. 12, 2021]. Available from internet, URL: <https://www.lowes.com/pd/Hopkins-52-in-L-Plastic-Ice-Scraper/3349432> (Year: 2014).\*

*Primary Examiner* — George A Bugg

*Assistant Examiner* — Tamara L Hahn

(74) *Attorney, Agent, or Firm* — Hovey Williams LLP

(57) **CLAIM**

The ornamental design for a folding snow brush with ice scraper, as shown and described.

**DESCRIPTION**

FIG. 1 is top left front perspective view of the folding snow brush with ice scraper in its folded state;

FIG. 2 is a bottom left front perspective view of the folding snow brush with ice scraper in its folded state;

FIG. 3 is a top right perspective view of the folding snow brush with ice scraper in its folded state;

FIG. 4 is a top left rear perspective view of the folding snow brush with ice scraper in its folded state;

FIG. 5 is a front elevational view of the folding snow brush with ice scraper in its folded state;

FIG. 6 is a top plan view of the folding snow brush with ice scraper in its folded state;

FIG. 7 is a bottom plan view of the folding snow brush with ice scraper in its folded state;

FIG. 8 is a left end elevational view of the folding snow brush with ice scraper in its folded state;

FIG. 9 is a right end elevational view of the folding snow brush with ice scraper in its folded state;

FIG. 10 is a rear elevational view of the folding snow brush with ice scraper in its folded state;

FIG. 11 is a top left front perspective view of the folding snow brush with ice scraper in its partially unfolded state;

FIG. 12 is a bottom left front perspective view of the folding snow brush with ice scraper in its partially unfolded state;

FIG. 13 is a top right perspective view of the folding snow brush with ice scraper in its partially unfolded state;

FIG. 14 is a top left rear perspective view of the folding snow brush with ice scraper in its partially unfolded state;

FIG. 15 is a front elevational view of the folding snow brush with ice scraper in its partially unfolded state;

FIG. 16 is a top plan view of the folding snow brush with ice scraper in its partially unfolded state;

FIG. 17 is a bottom plan view of the folding snow brush with ice scraper in its partially unfolded state;

FIG. 18 is a left end elevational view of the folding snow brush with ice scraper in its partially unfolded state;

FIG. 19 is a right end elevational view of the folding snow brush with ice scraper in its partially unfolded state;

FIG. 20 is a rear elevational view of the folding snow brush with ice scraper in its partially unfolded state;

FIG. 21 is a top left front perspective view of the folding snow brush with ice scraper in its unfolded state;

FIG. 22 is a bottom left front perspective view of the folding snow brush with ice scraper in its unfolded state;

FIG. 23 is a top right perspective view of the folding snow brush with ice scraper in its unfolded state;

(Continued)

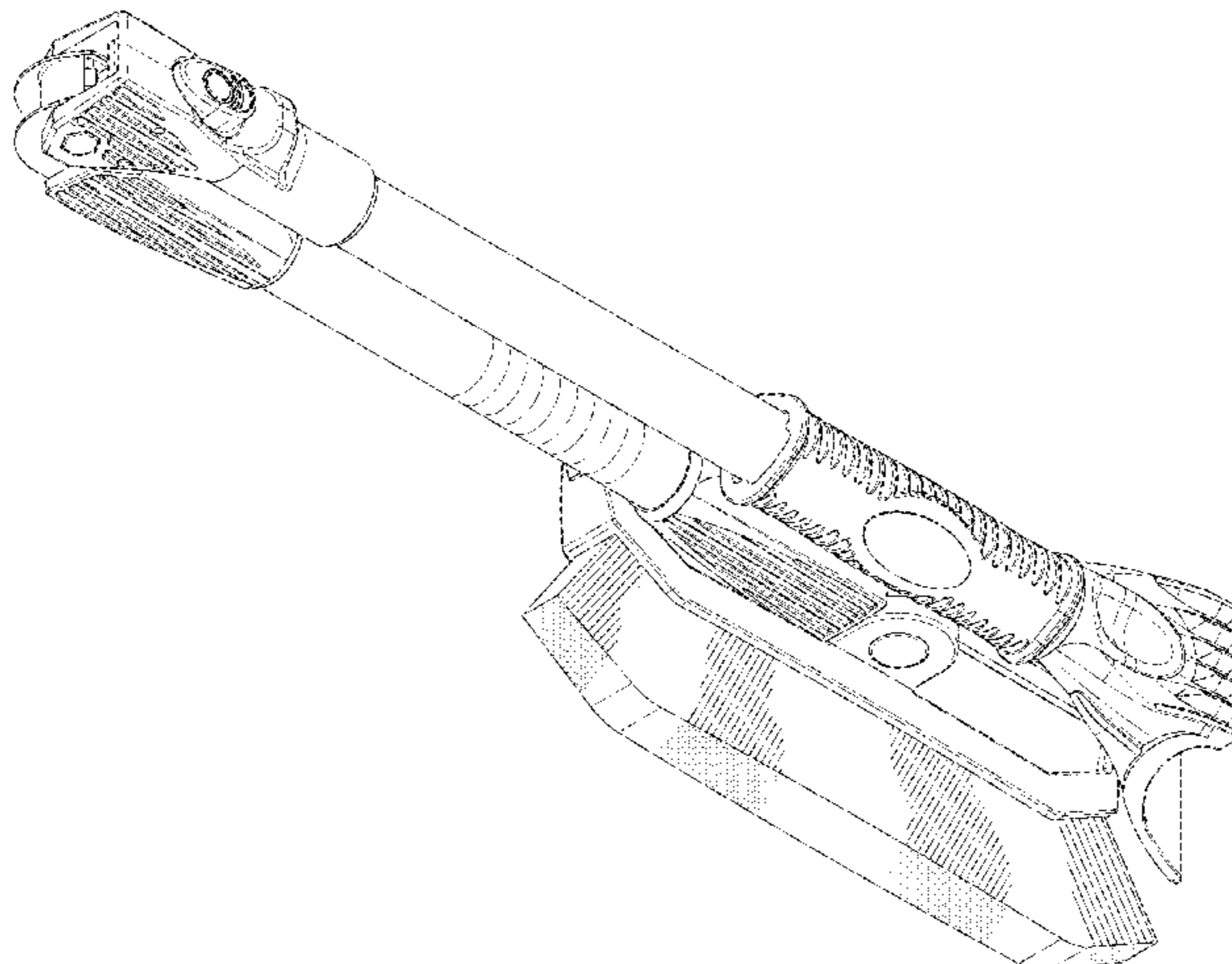


FIG. 24 is a top left rear perspective view of the folding snow brush with ice scraper in its unfolded state;  
FIG. 25 is a front elevational view of the folding snow brush with ice scraper in its unfolded state;  
FIG. 26 is a top plan view of the folding snow brush with ice scraper in its unfolded state;  
FIG. 27 is a bottom plan view of the folding snow brush with ice scraper in its unfolded state;  
FIG. 28 is a left end elevational view of the folding snow brush with ice scraper in its unfolded state;  
FIG. 29 is a right end elevational view of the folding snow brush with ice scraper in its unfolded state; and,  
FIG. 30 is a rear elevational view of the folding snow brush with ice scraper in its unfolded state.

**1 Claim, 21 Drawing Sheets**

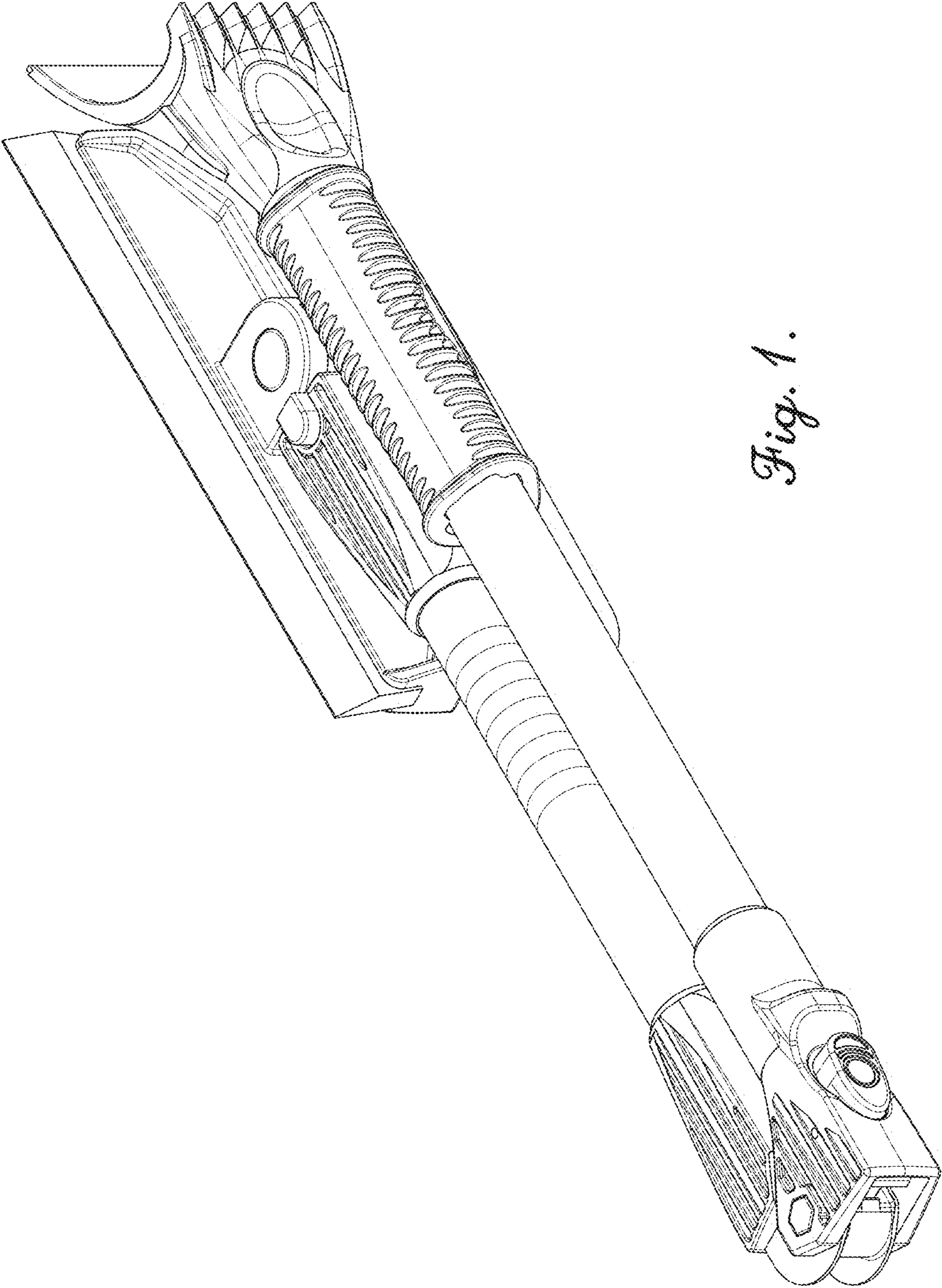
(56)

**References Cited**

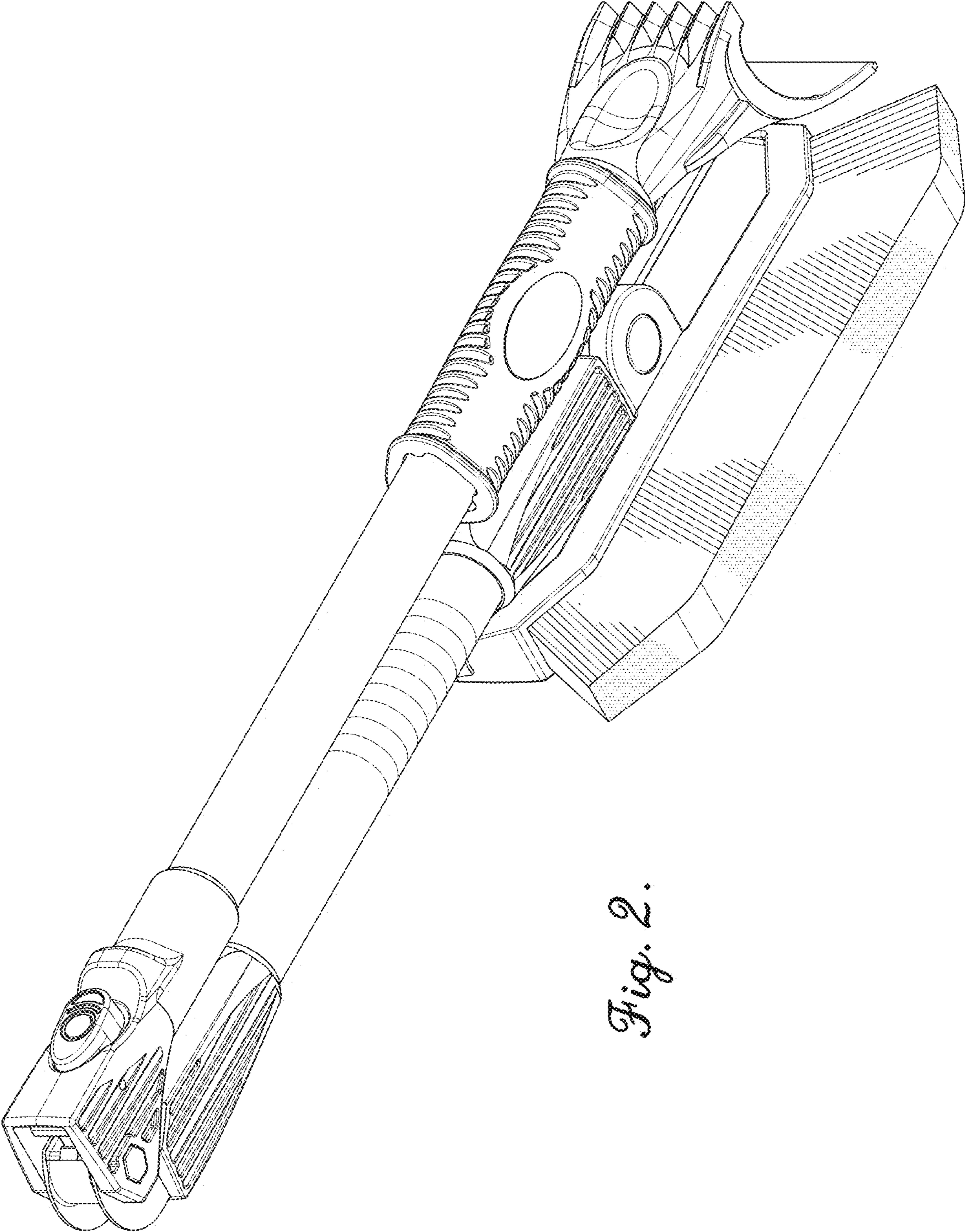
U.S. PATENT DOCUMENTS

D562,565 S *	2/2008	Liu .....	D4/118
D597,315 S *	8/2009	Hoffelner .....	D4/118
7,832,955 B1 *	11/2010	Leffew .....	B60S 3/047 401/265
9,107,490 B2 *	8/2015	Lafleur .....	A46B 15/0081
D766,584 S *	9/2016	Blouin .....	D4/118
D831,360 S *	10/2018	Bennett .....	D4/118
D834,327 S *	11/2018	Tschopp .....	D4/118
D834,328 S *	11/2018	Thompson .....	D4/118
D834,829 S *	12/2018	Thompson .....	D4/118
D913,698 S *	3/2021	Bennett .....	D4/118
D918,592 S *	5/2021	Tang .....	D4/118

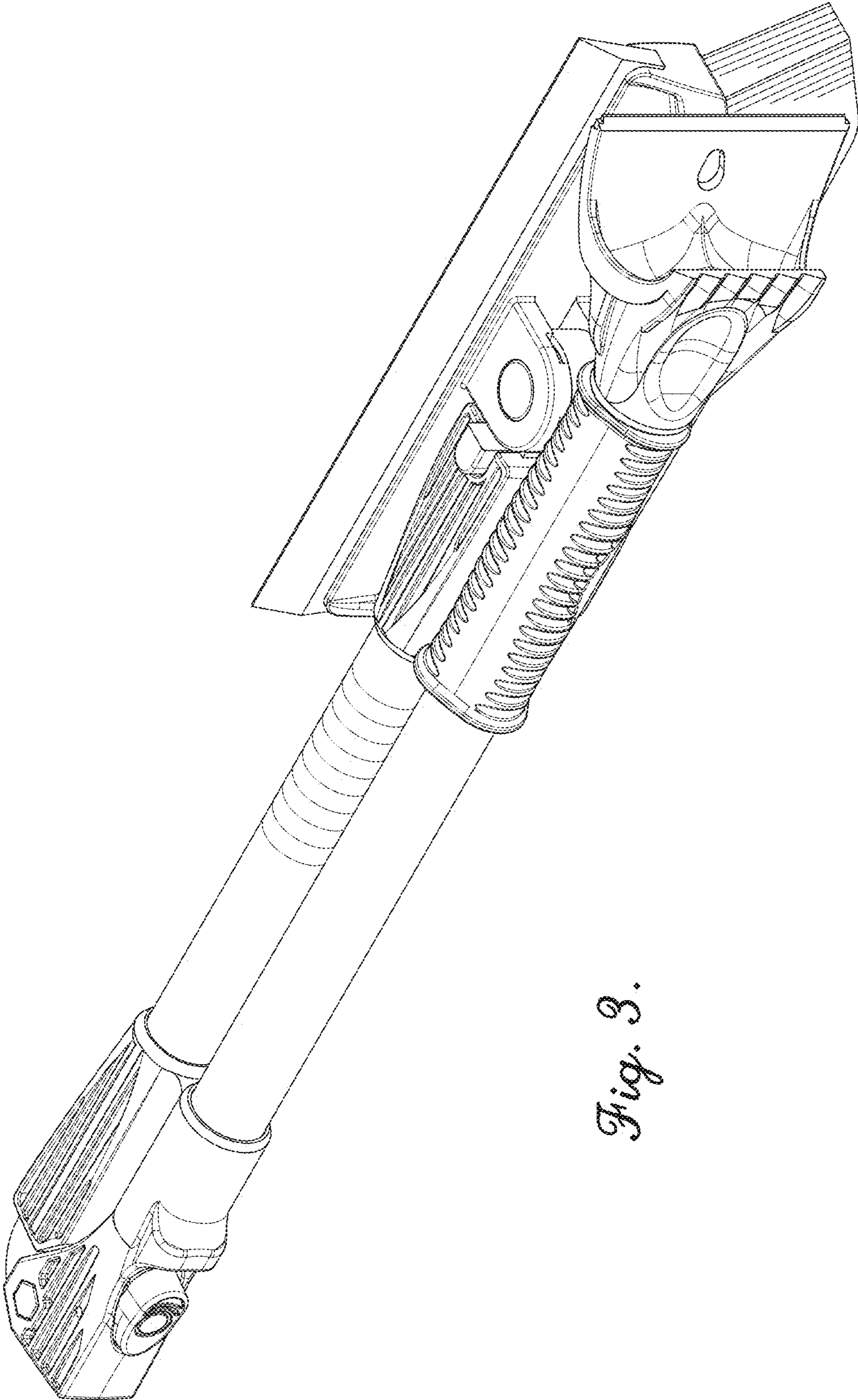
\* cited by examiner



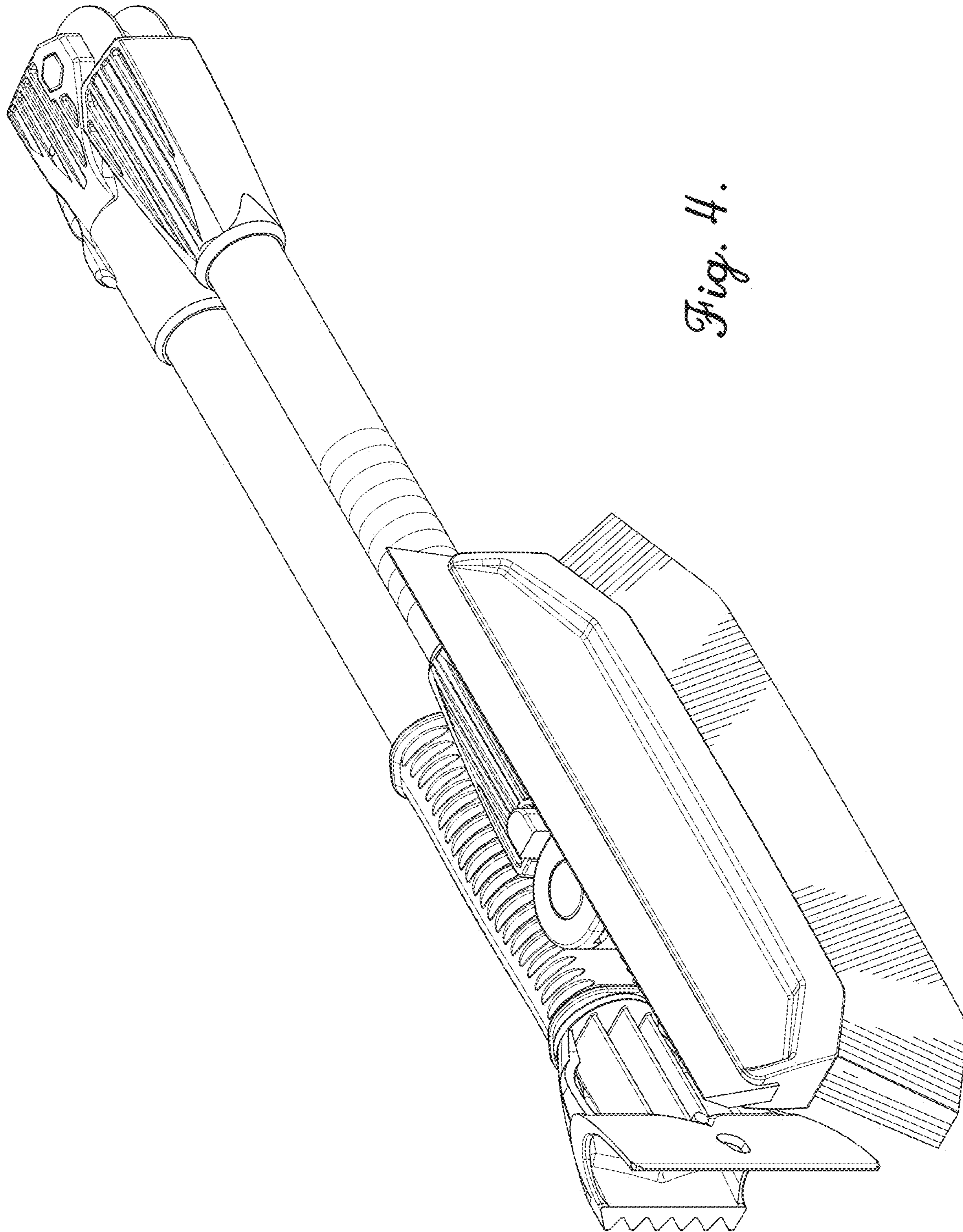
*Fig. 1.*



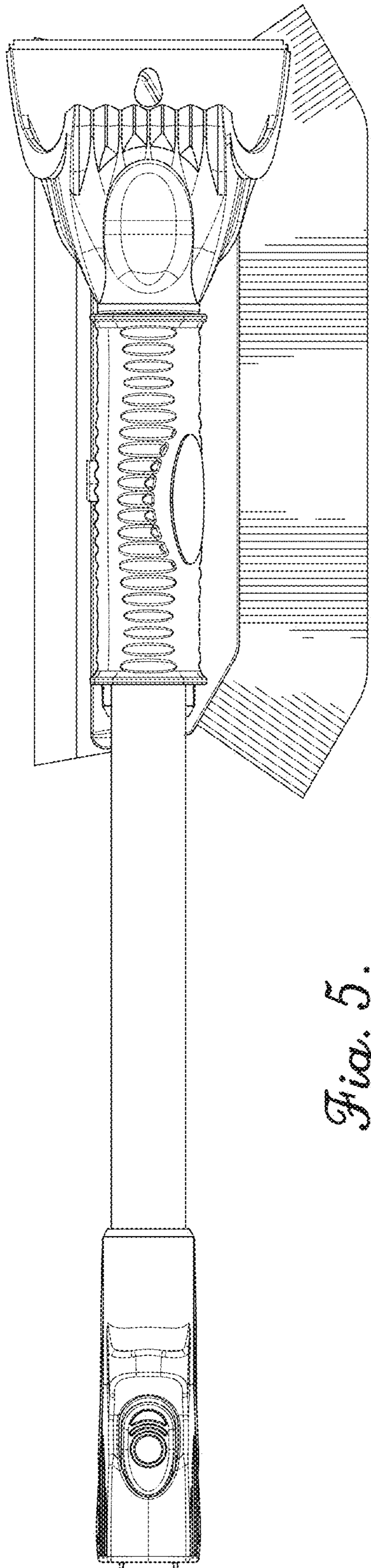
*Fig. 2.*



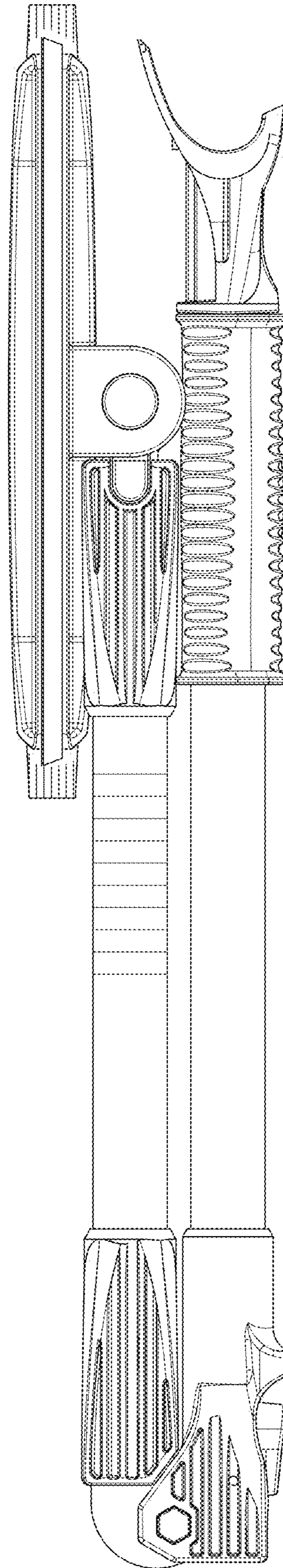
*Fig. 3.*



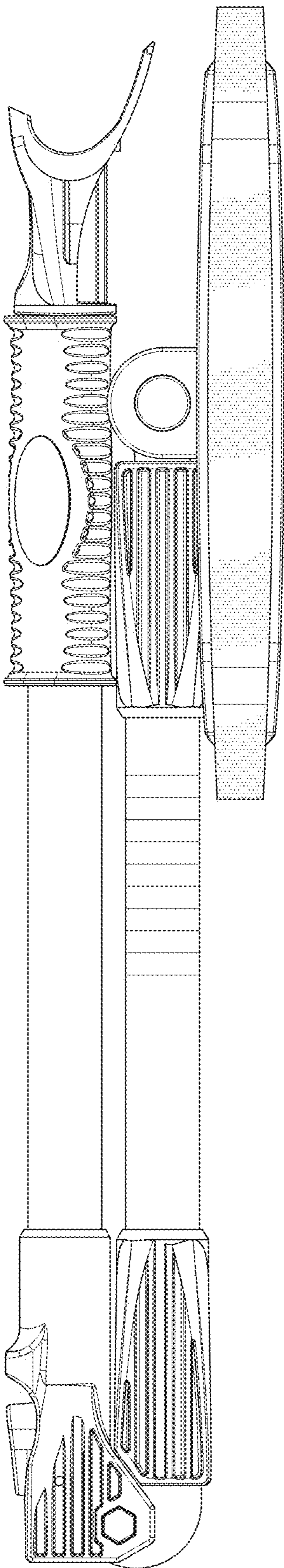
*Fig. 4.*



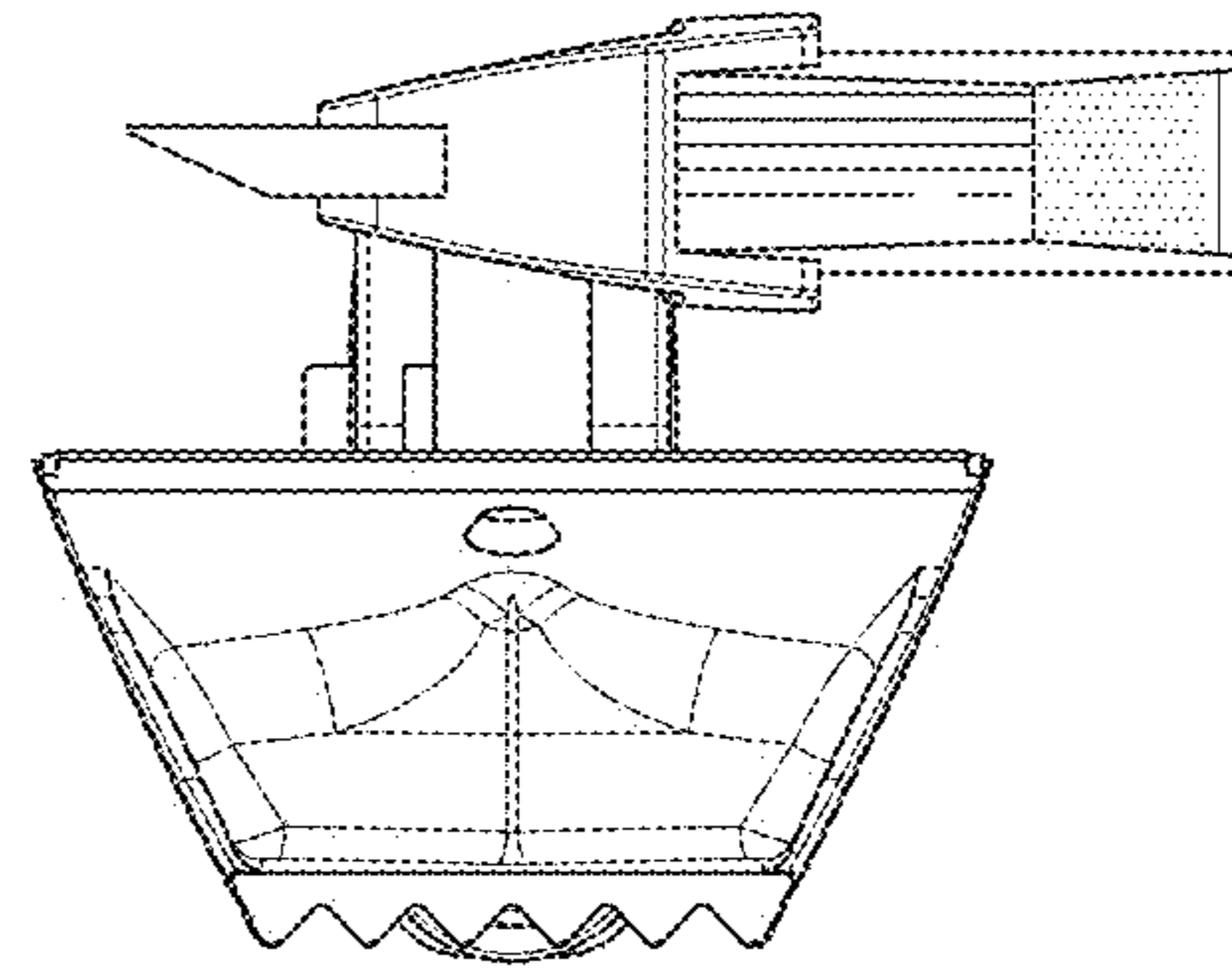
*Fig. 5.*



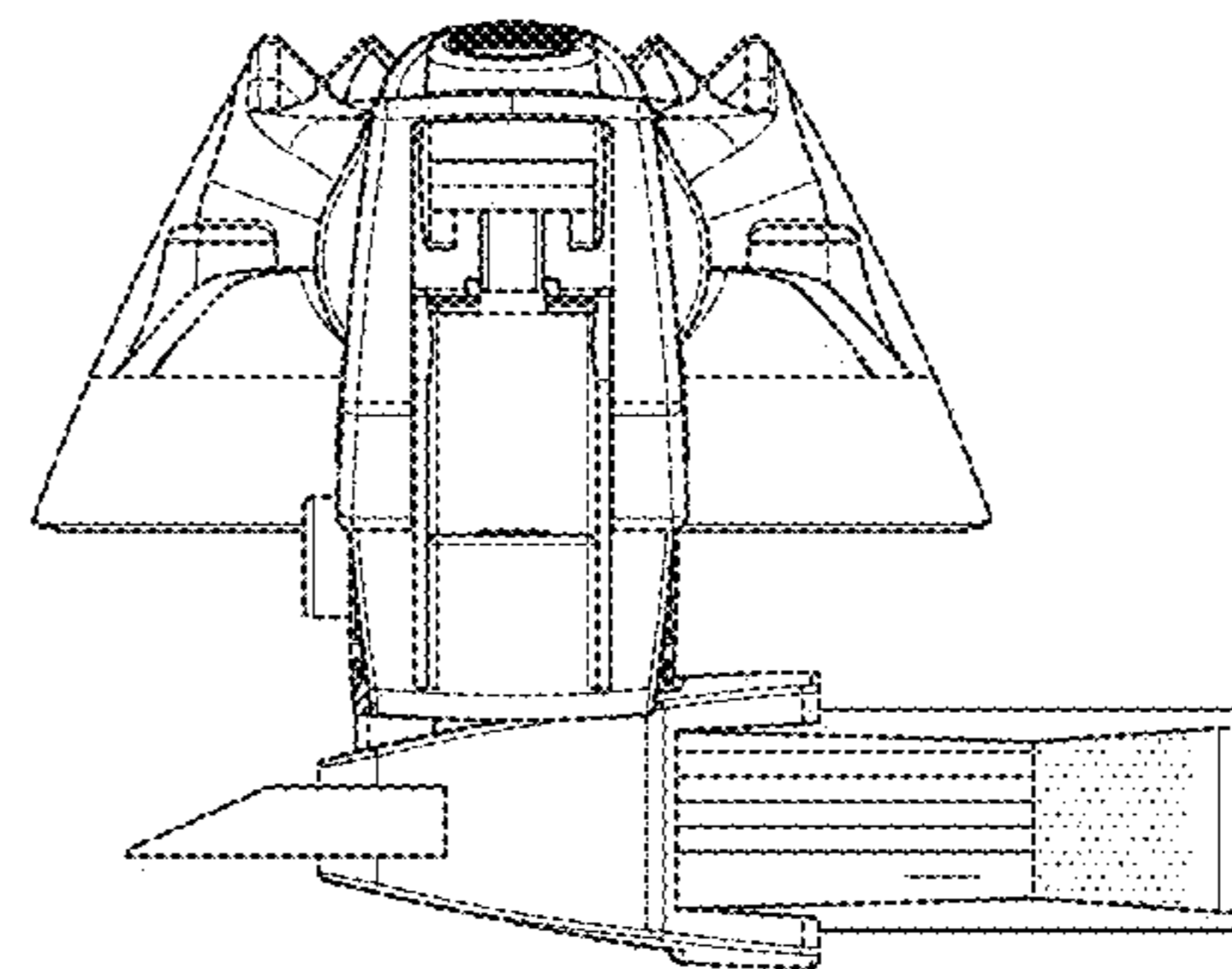
*Fig. 6.*



*Fig. 7.*

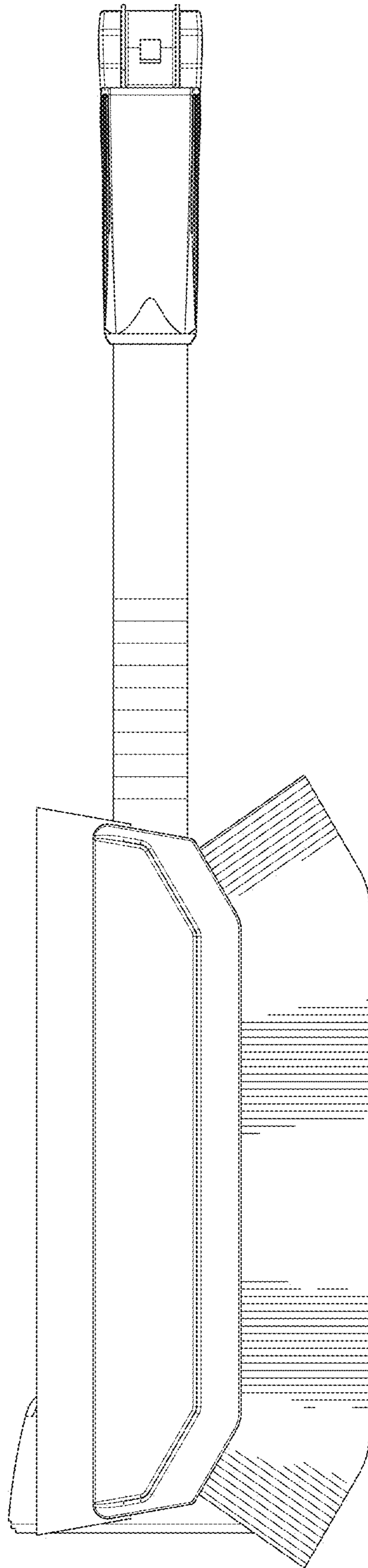


*Fig. 9.*

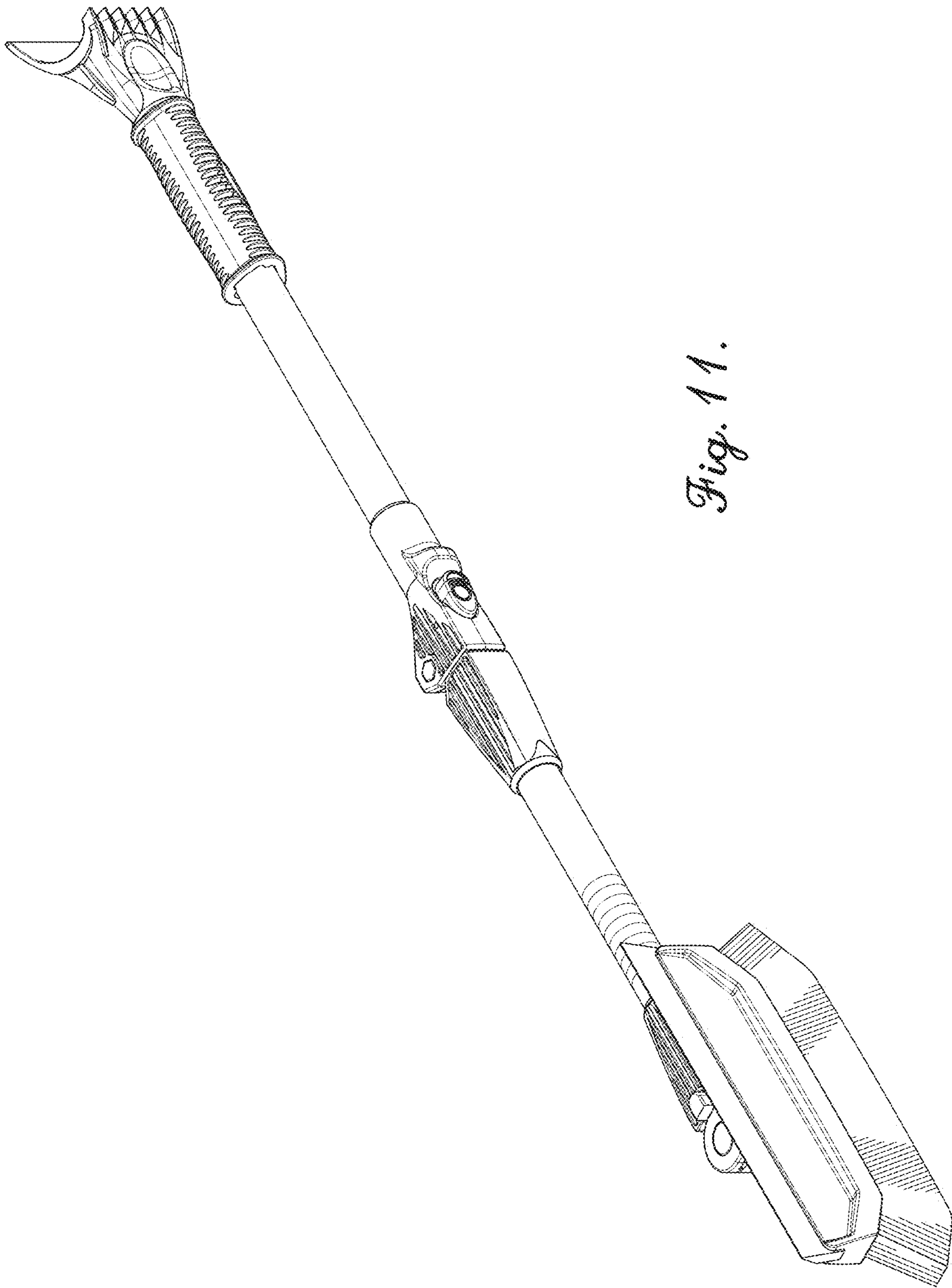


*Fig. 8.*

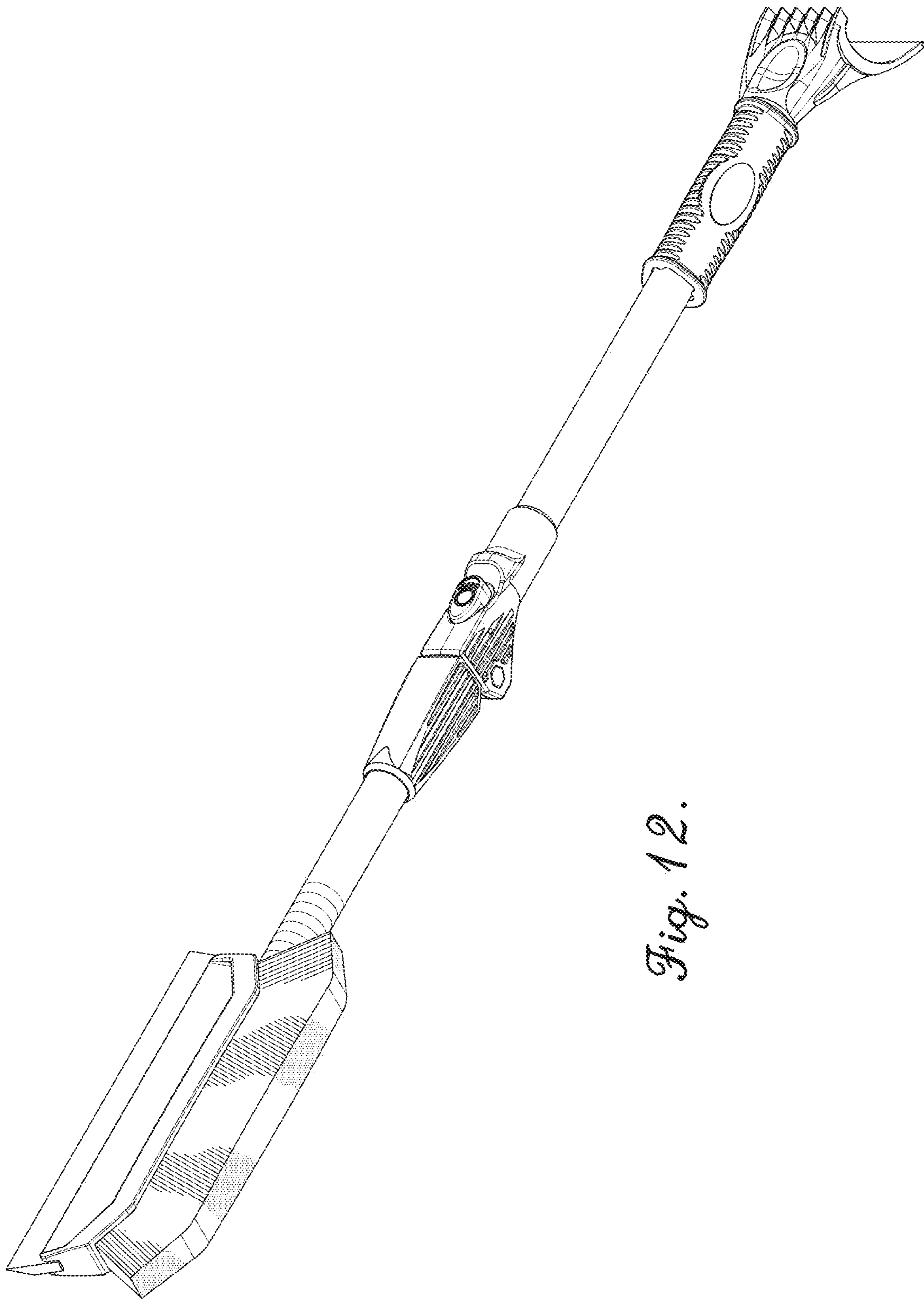




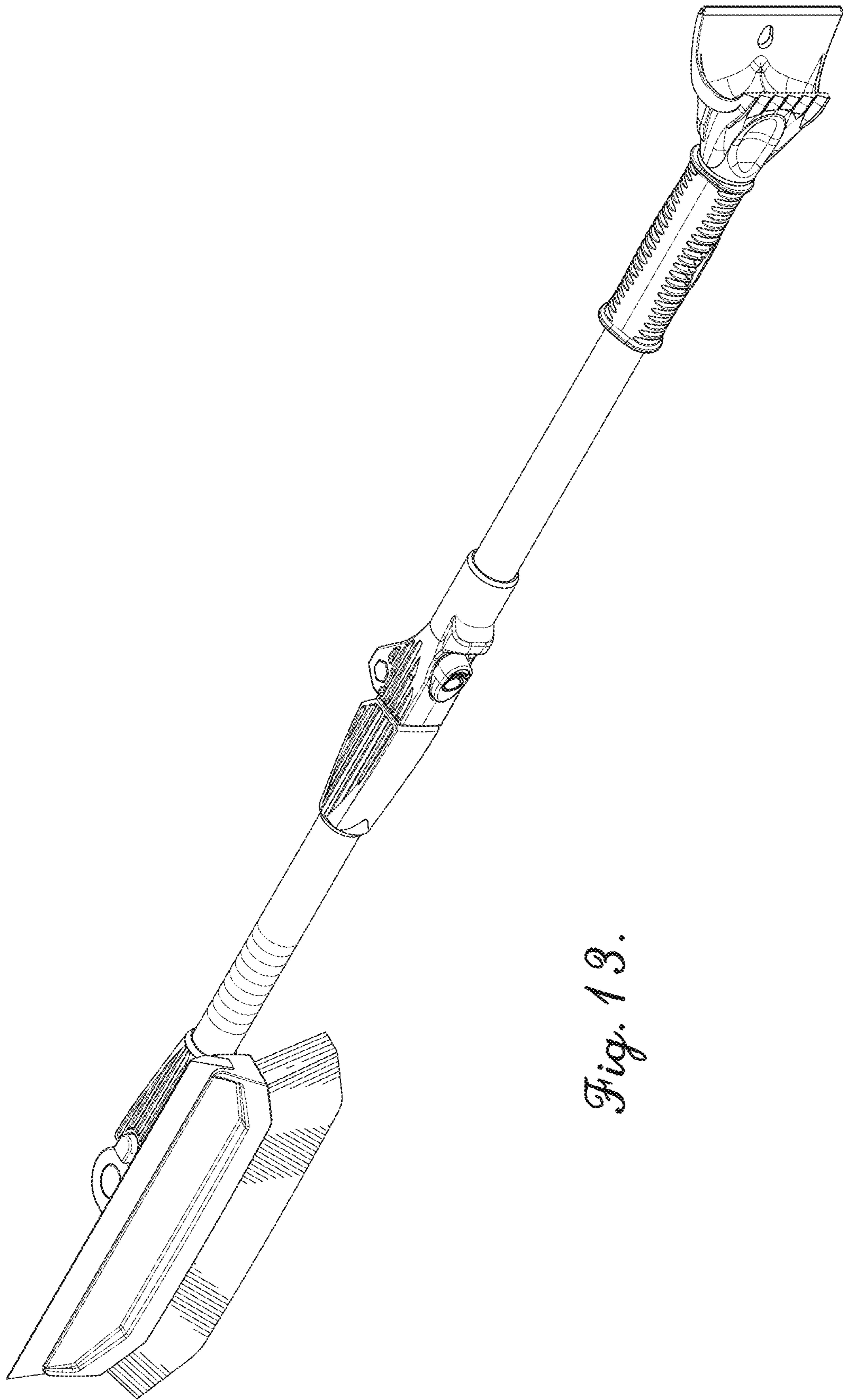
*Fig. 10.*



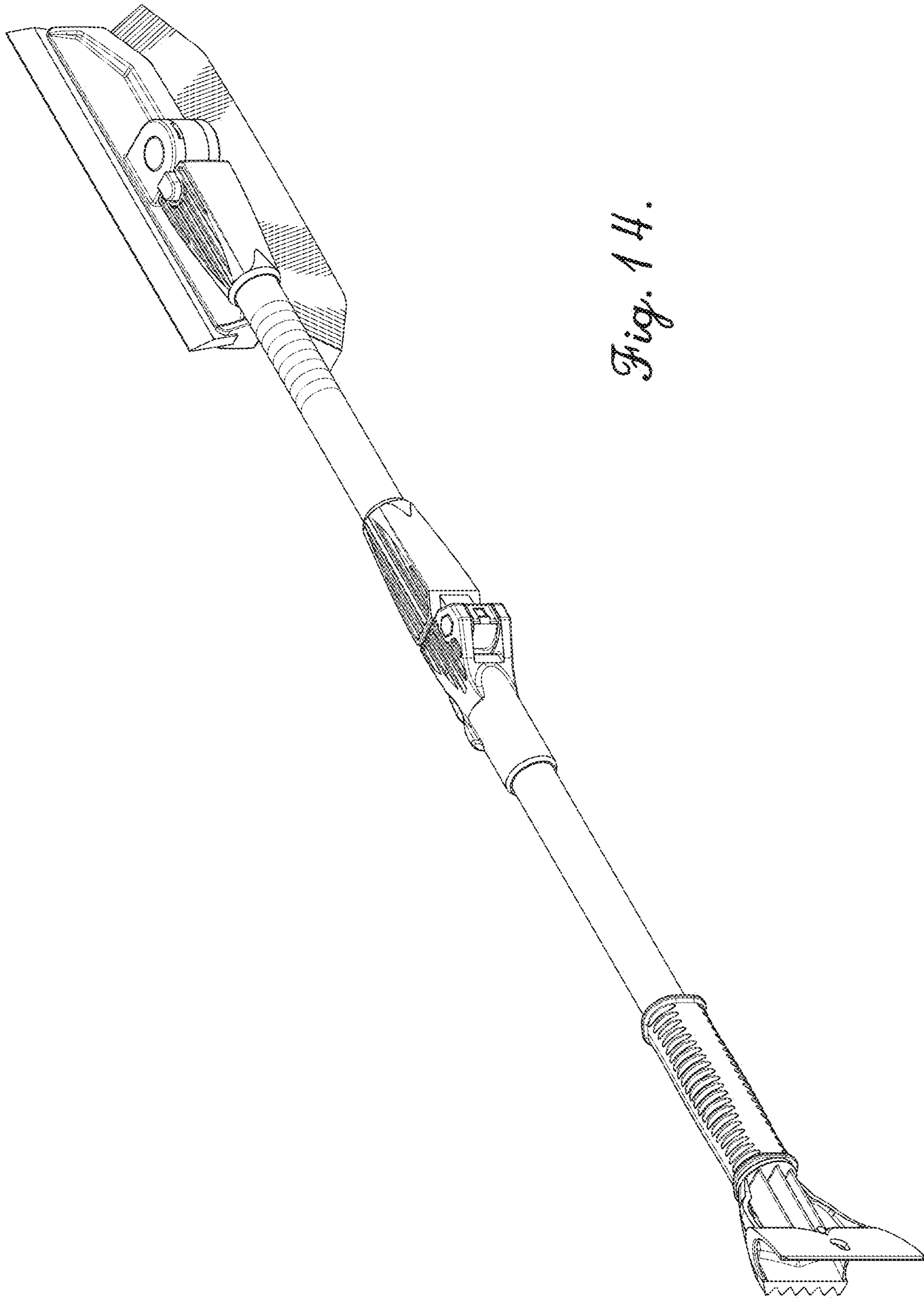
*Fig. 11.*



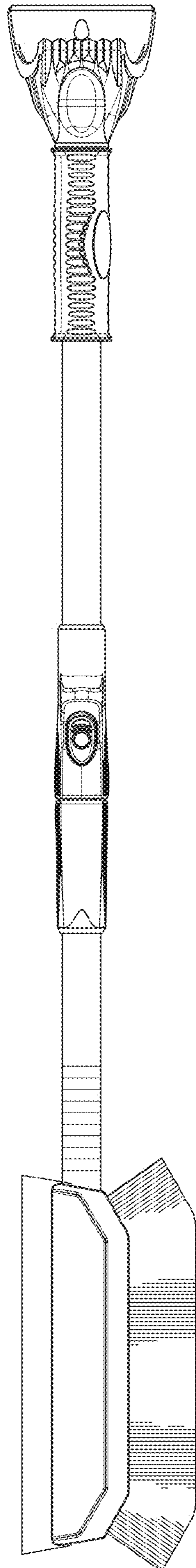
*Fig. 12.*



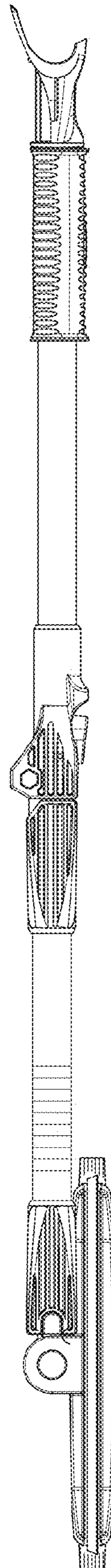
*Fig. 13.*



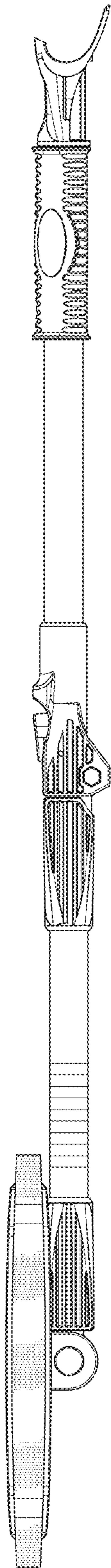
*Fig. 14.*



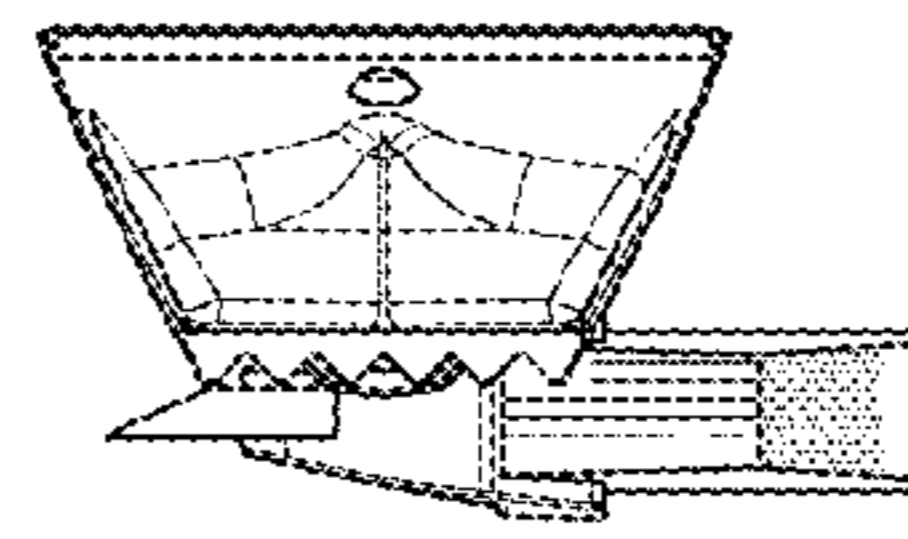
*Fig. 15.*



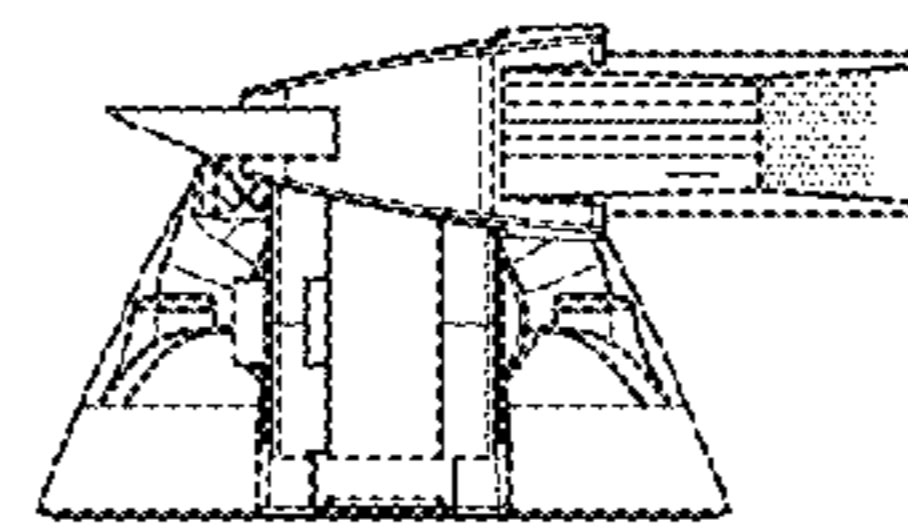
*Fig. 16.*



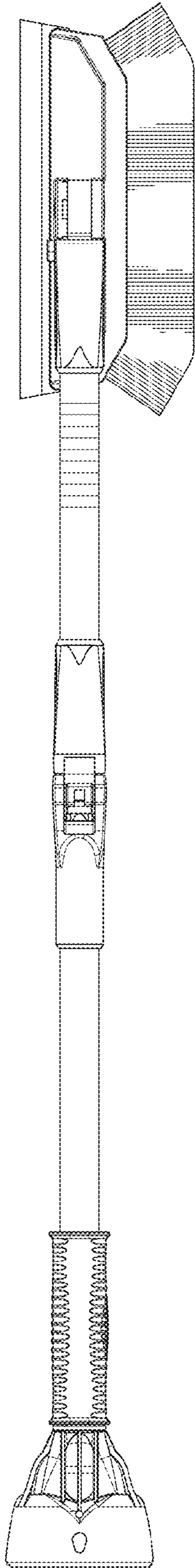
*Fig. 17.*



*Fig. 19.*

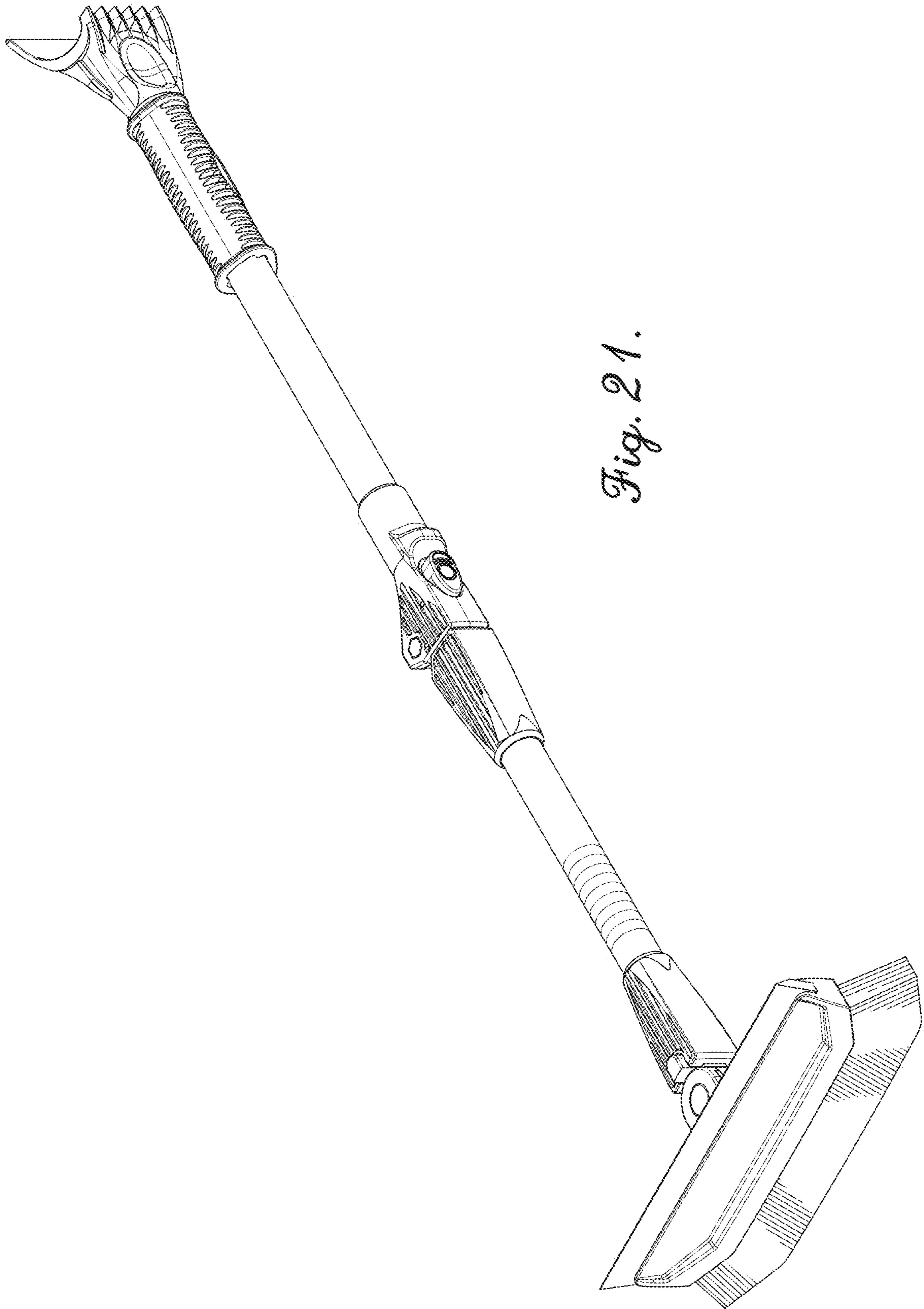


*Fig. 18.*

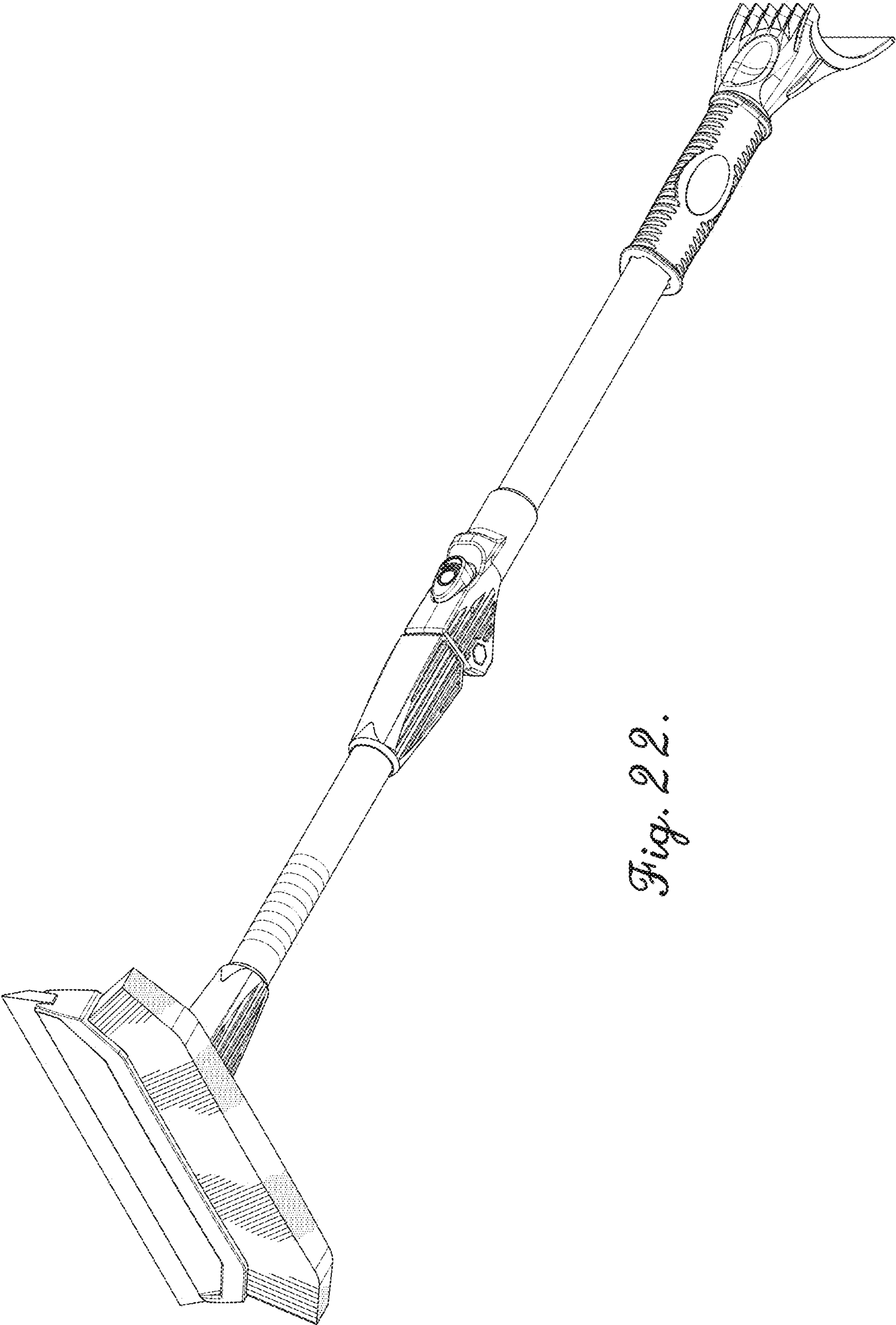


*Fig. 20.*

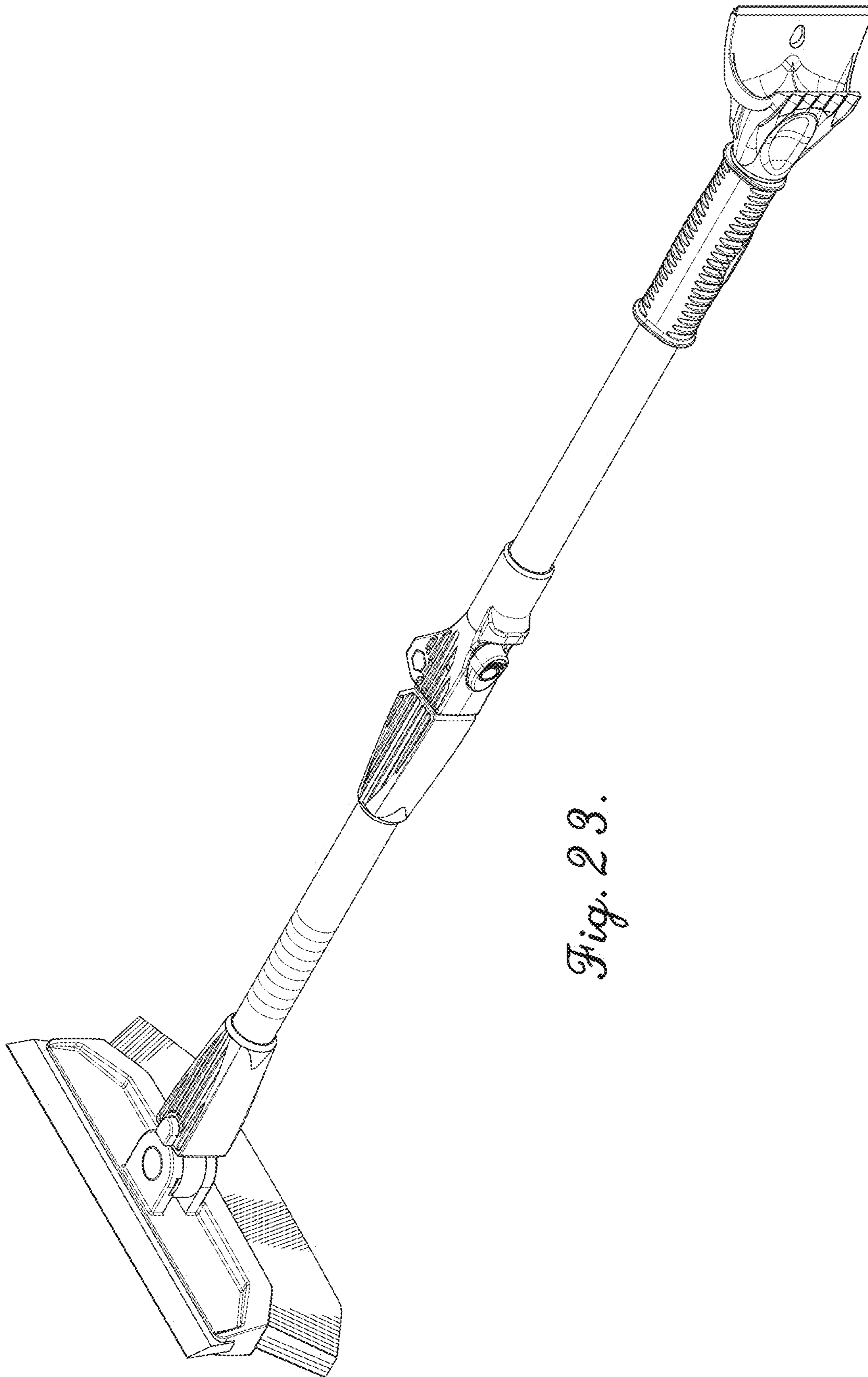




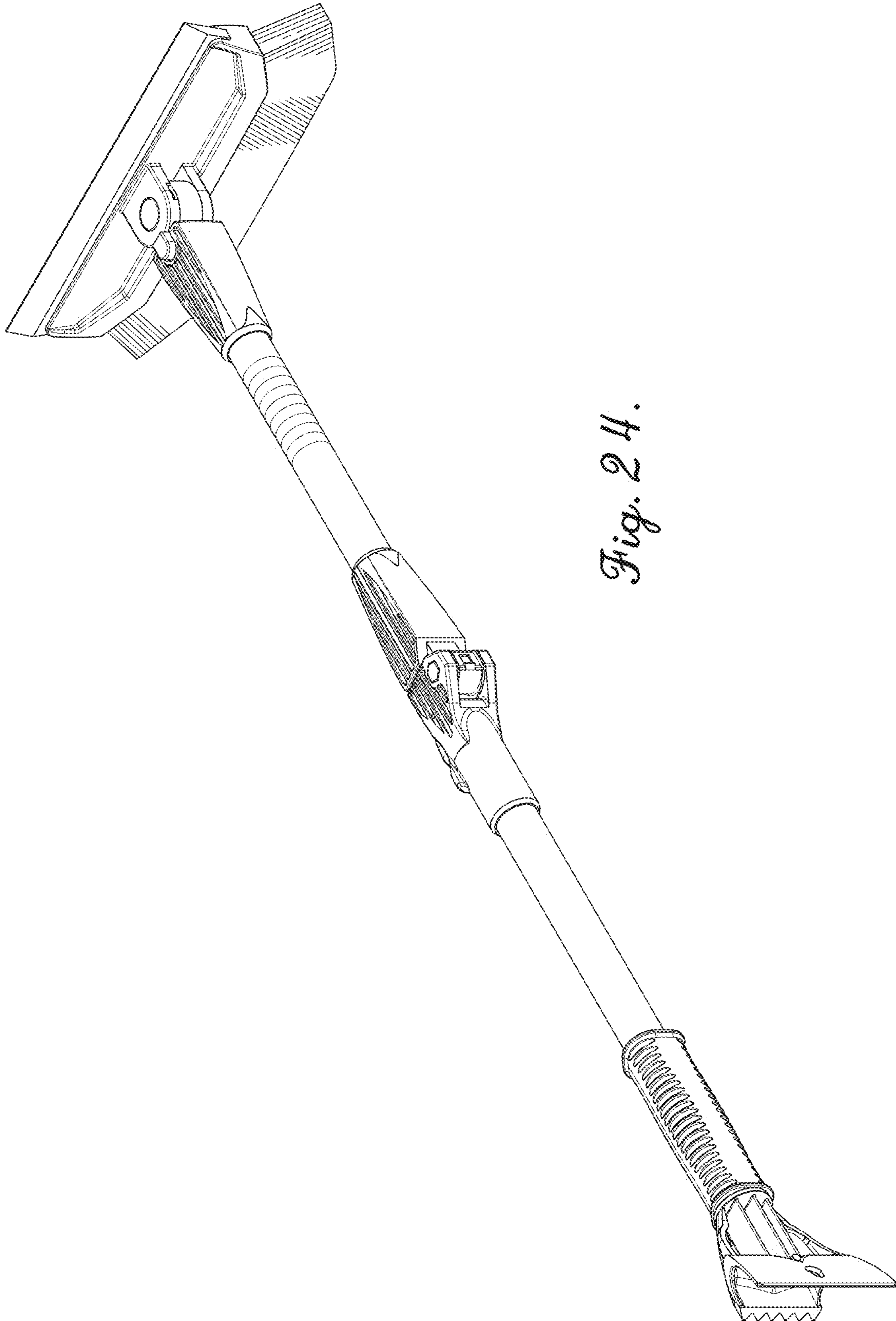
*Fig. 21.*



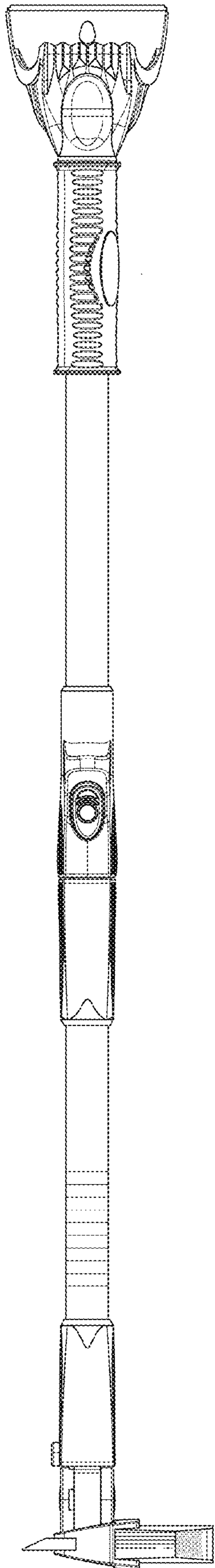
*Fig. 22.*



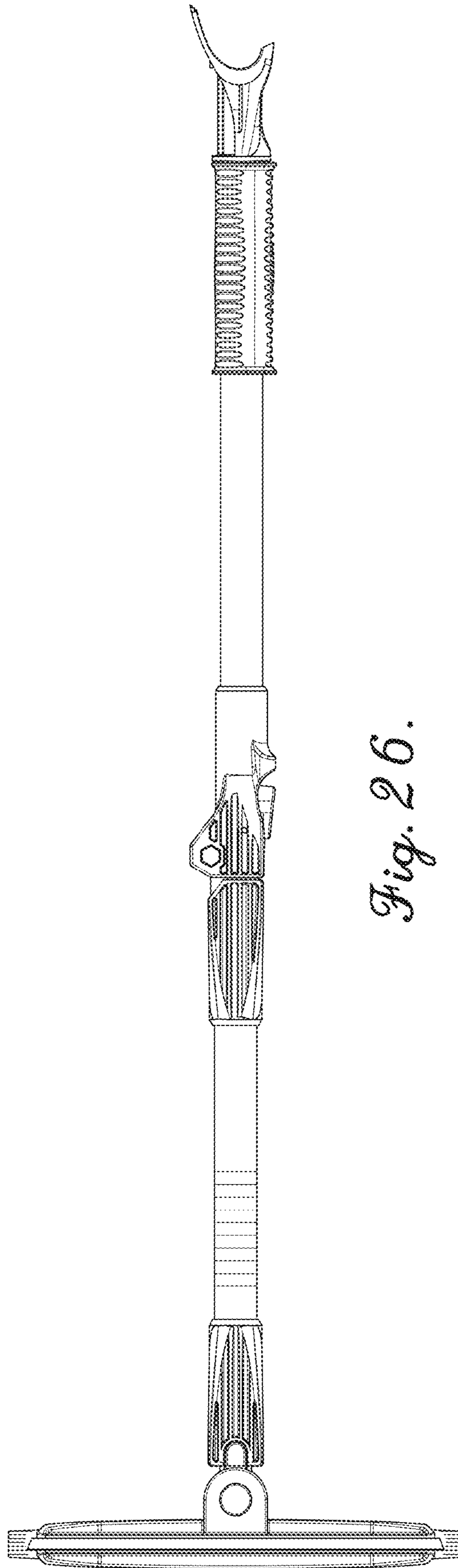
*Fig. 23.*



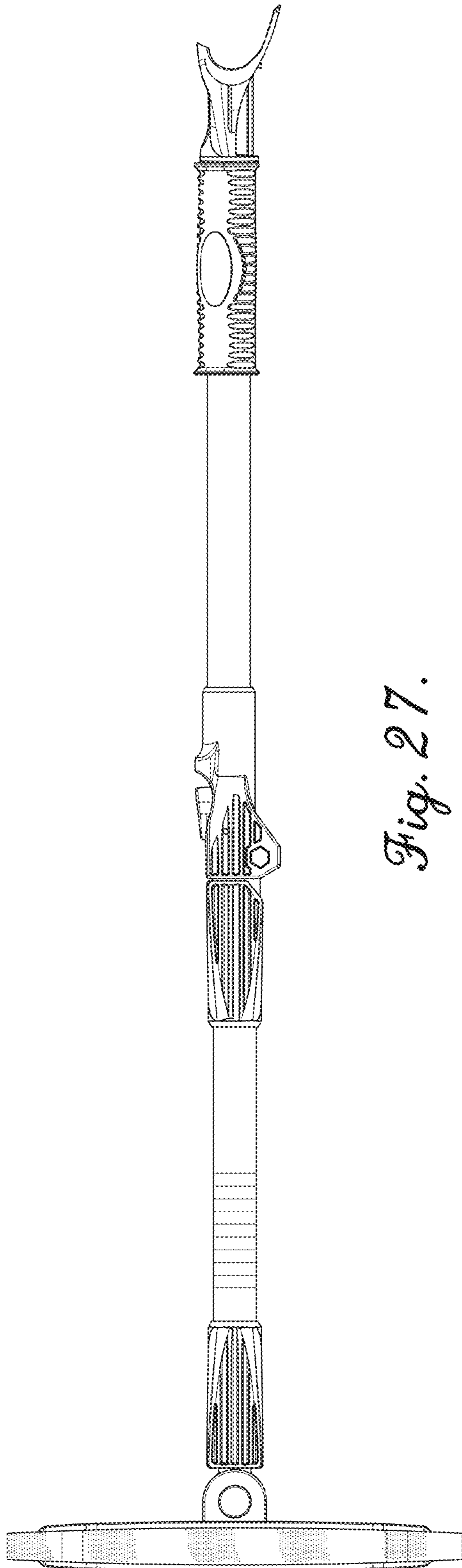
*Fig. 24.*



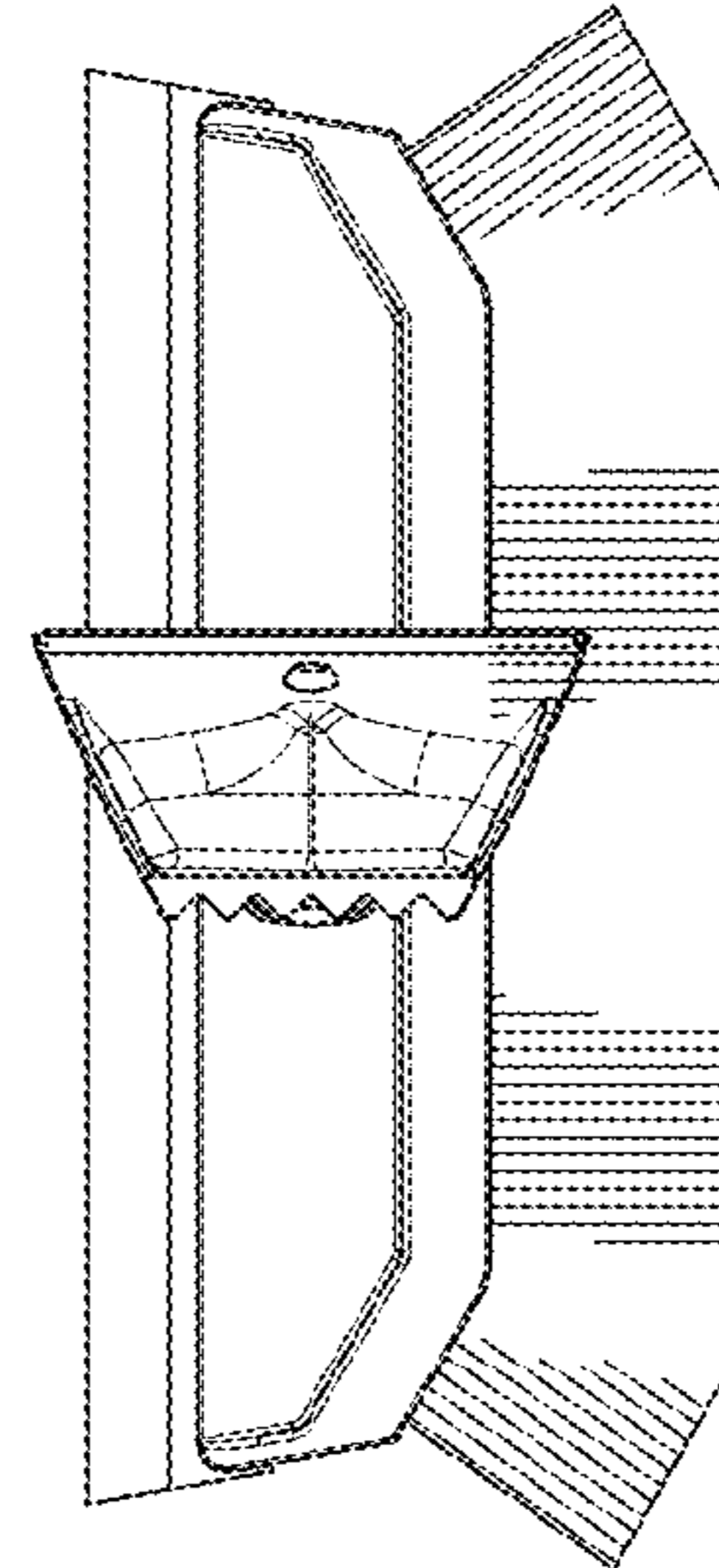
*Fig. 25.*



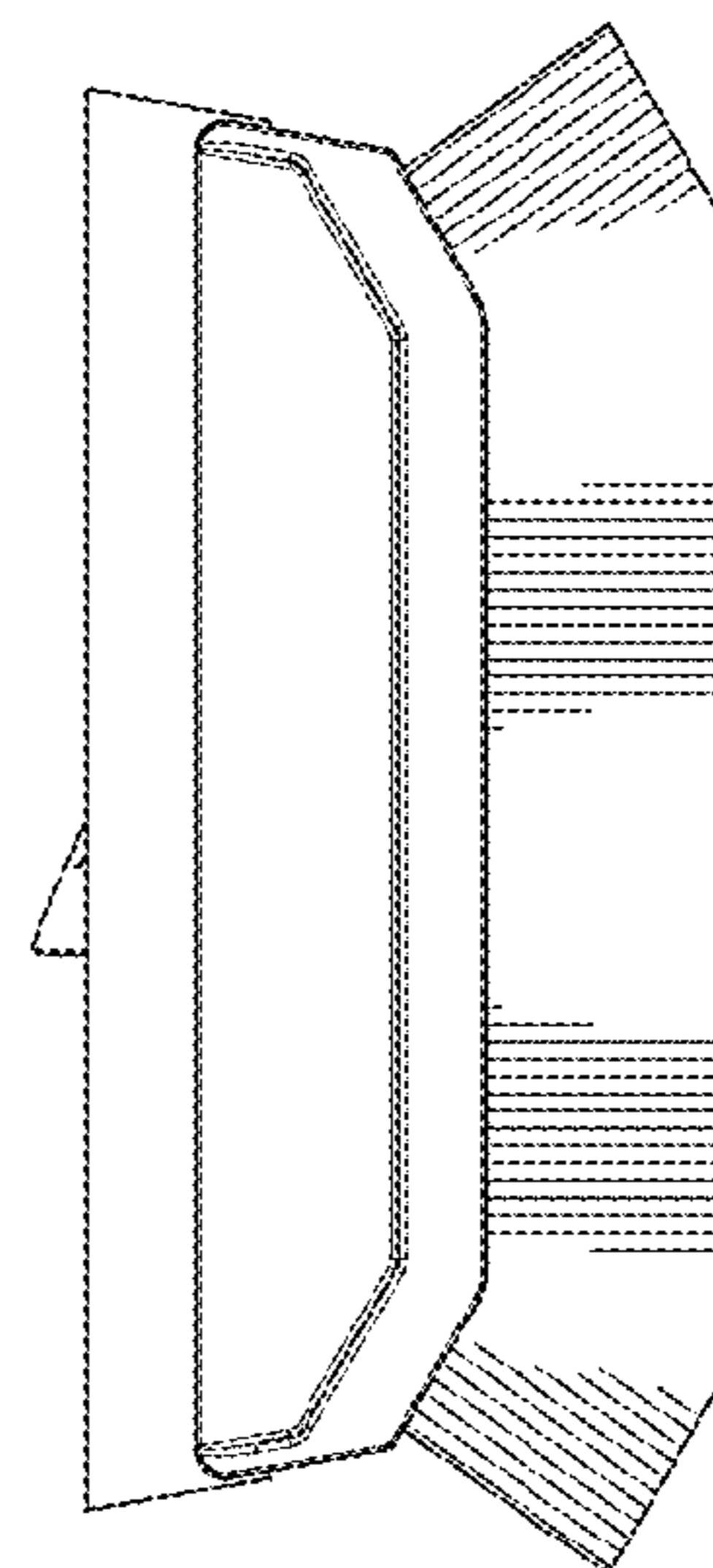
*Fig. 26.*



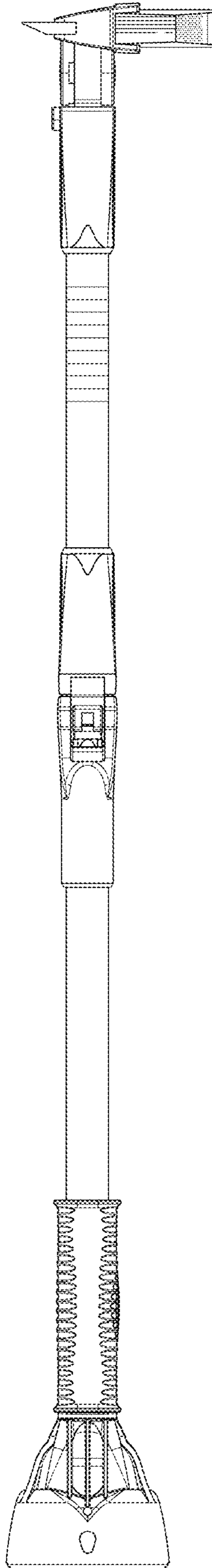
*Fig. 27.*



*Fig. 29.*



*Fig. 28.*



*Fig. 30.*